

- (21M) WASHER/DRYER PREP
- (54E) WASHER/DRYER_COMBO

- 9 USE SMOOTH PLUMBERS PUTTY 167459-01-000 TO SEAL STRAINER (0.2 PER STRAINER).
- 8. SECURE DRAINAGE PIPES TO CABINET USING WIRE TIE 108046-02-000, AND SCREW G67-10-12B AT INTERVALS OF NOT MORE THAN 4 FEET APART.
- 7 SECURE VENT PIPE TO FLOOR WITH CLAMP 62401-02-000 (2), SCREW G67-10-12B (2), BRACKET 136878-01-CHT (2).
- 6 VENT PIPE MUST PROJECT 51 MIN AND 64 MAX ABOVE ROOF FOR PROPER FIT AND FUNCTION. ADD S-1 (116666-01-CHT SEAL-VENT PIPE) AROUND PIPE ON ROOF BEFORE VENT CAP IS INSTALLED.
- 5. SEAL AROUND SHOWER WITH SILICONE.
- 4. DO NOT ATTACH ANY OTHER SYSTEM TO PIPE-FLEX 126426-01.
- 3. ALL PIPE AND FITTINGS TO BE ASSEMBLED WITH SOLVENT 4020-01-000 (USA), 4020-02-000 (CAN)
- 2. SLOPE OF TRAP ARM MUST BE 6 PER 305 mm.
- 1. SLOPE OF HORIZONTAL PIPING TO BE MINIMUM OF 3 PER 305 mm.

NOTES:

| | | | |
|------------------------------|------------|---|------------|
| WINNEBAGO | | COPYRIGHT 2008 WINNEBAGO INDUSTRIES, INC. | |
| DFTR | ORIG. DATE | ALL DIMENSIONS ARE IN MILLIMETERS | |
| CHKR | | M.E. | FIRST USED |
| | | DSNR | 09 P34Y |
| UNSPECIFIED TOLERANCES ARE: | | MATERIAL: | |
| WHOLE DIM (X) | : 3 | | |
| ONE-PLACE (X.X) | : 1.5 | | |
| TWO-PLACE (X.XX) | : 0.50 | | |
| ANGLE | : 1° | | |
| THIRD ANGLE PROJECTION | | | |
| DO NOT SCALE DRAWING | | | |
| TITLE: DRAINAGE SYSTEM INSTL | | | |
| SHEET 1 OF 3 | PART NO | 166537 | REV |
| REF: | 12/16/2008 | | |

(X-X)
FOR
DRAINAGE
CALLOUTS
SEE DWG NO
116229-01-000

SINK-LAVATORY
155318-01-CHT
WASTE ASM (INCLUDED W/FAUCET)
(REF)
SEAL
91255-02-000

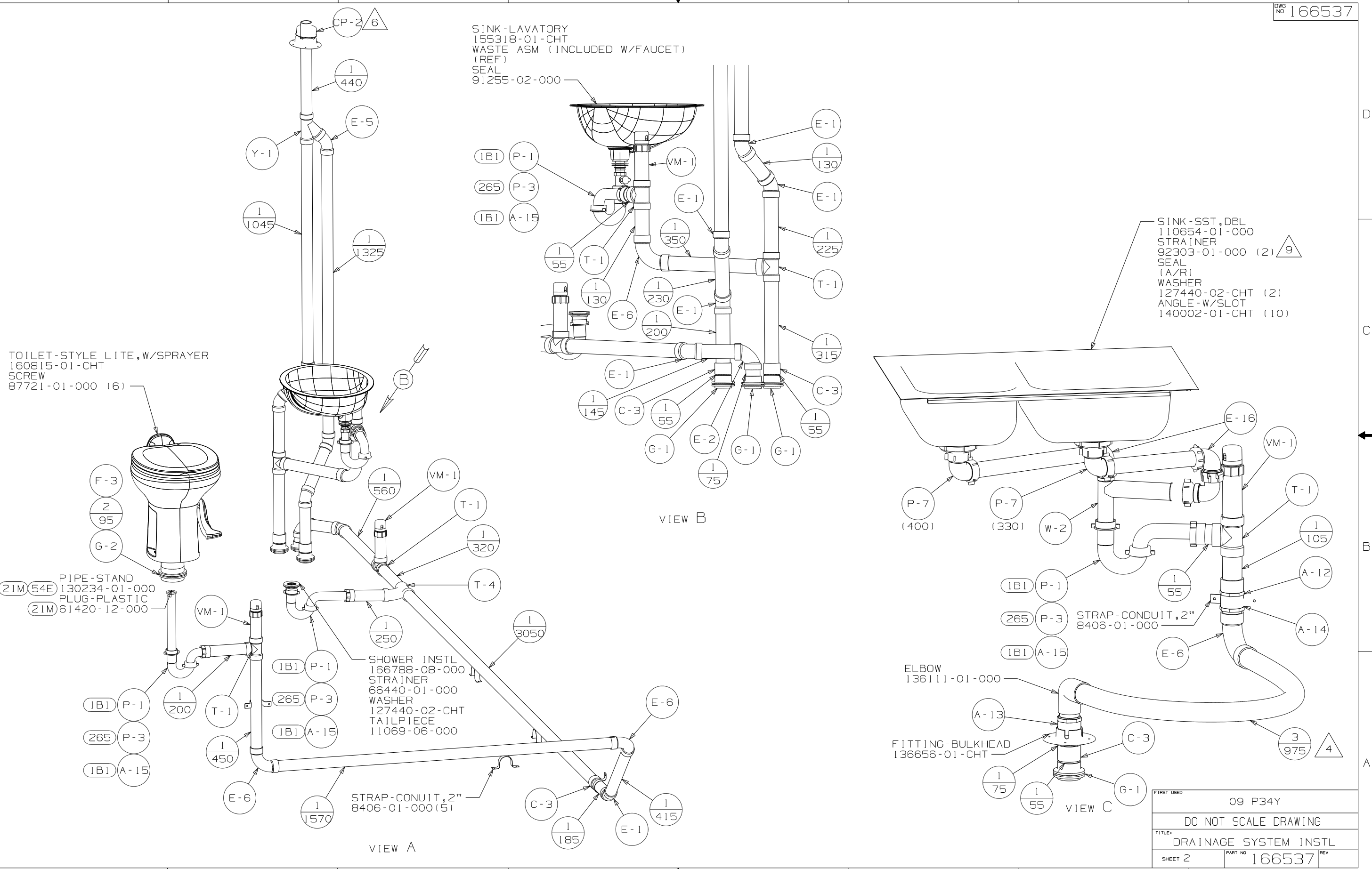
SINK-SST, DBL
110654-01-000
STRAINER
92303-01-000 (2) ⁹
SEAL
(A/R)
WASHER
127440-02-CHT (2)
ANGLE-W/SLOT
140002-01-CHT (10)

TOILET-STYLE LITE, W/SPRAYER
160815-01-CHT
SCREW
87721-01-000 (6)

PIPE- STAND
130234-01-000
PLUG-PLASTIC
61420-12-000

SHOWER INSTL
166788-08-000
STRAINER
66440-01-000
WASHER
127440-02-CHT
TAILPIECE
11069-06-000

STRAP- CONUIT, 2"
8406-01-000 (5)

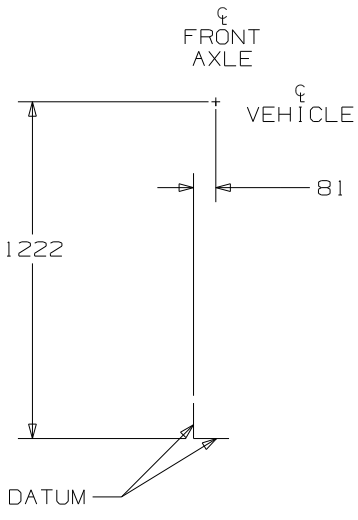


VIEW B

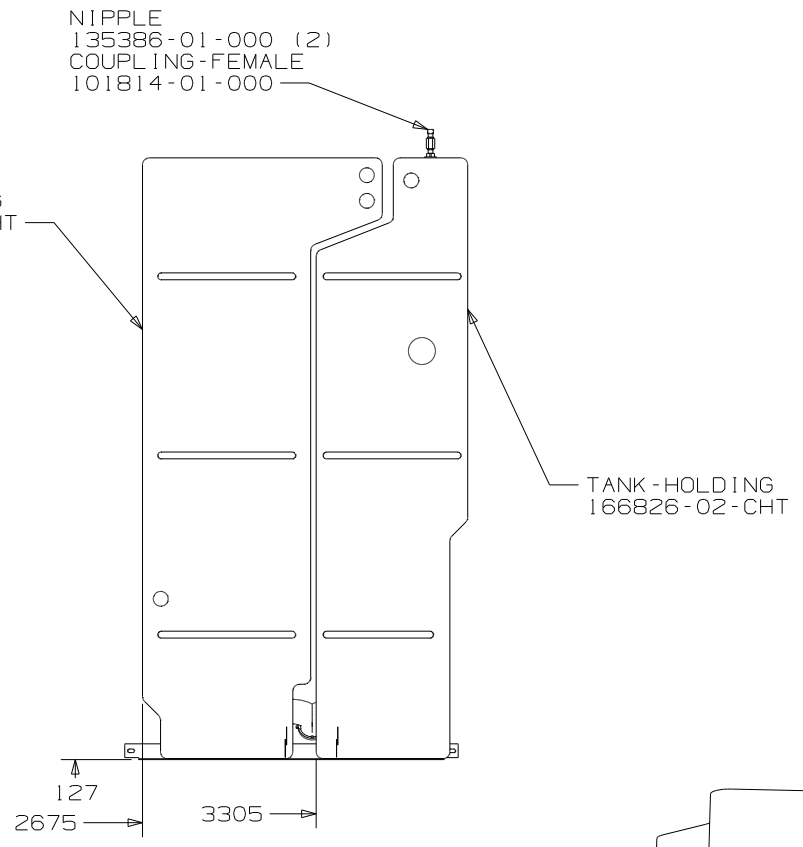
VIEW C

VIEW A

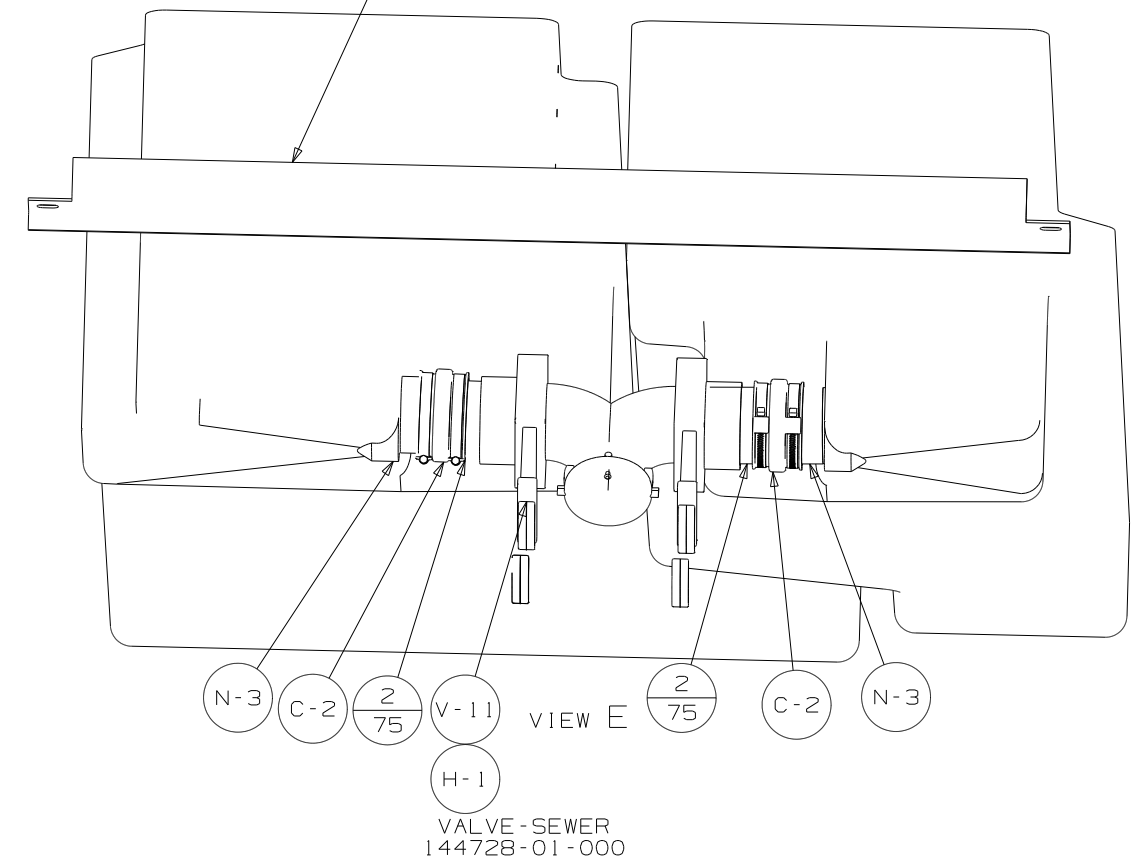
| | | | |
|------------|-----------------------|--------|-----|
| FIRST USED | 09 P34Y | | |
| TITLE | DO NOT SCALE DRAWING | | |
| | DRAINAGE SYSTEM INSTL | | |
| SHEET 2 | PART NO | 166537 | REV |



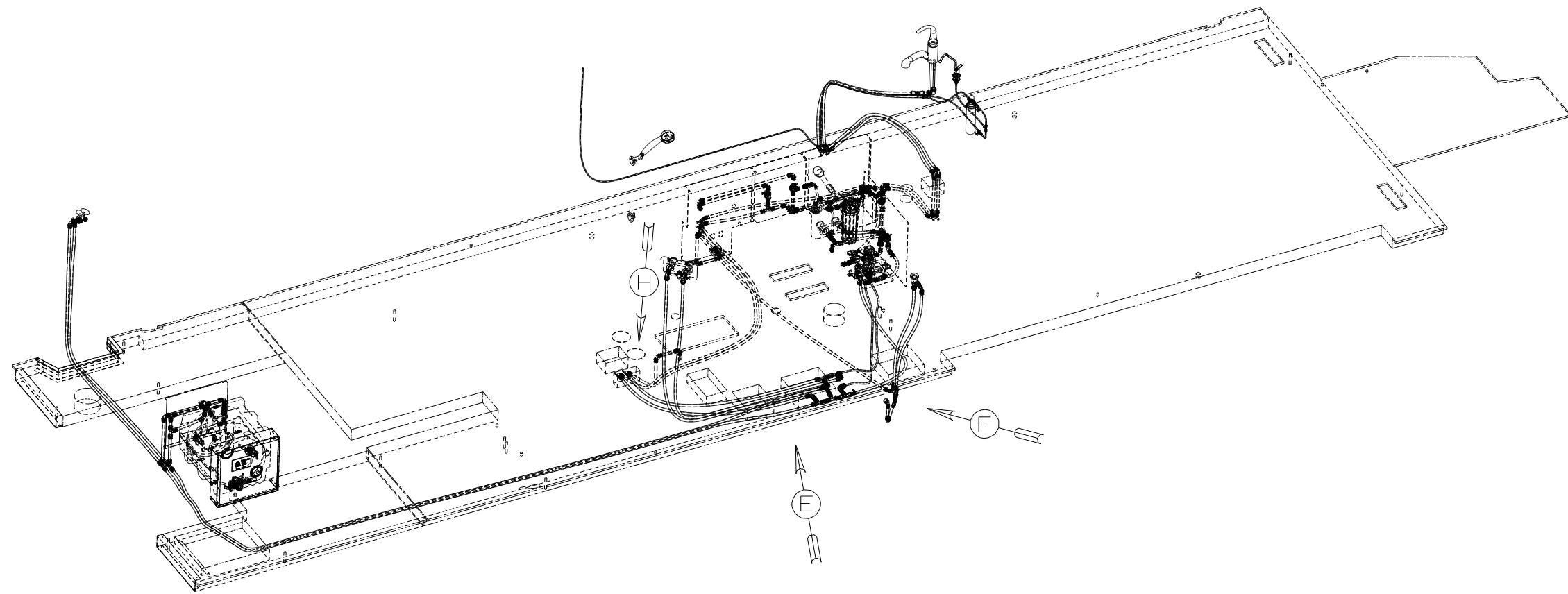
VIEW D



- BRACKET-TANK, HOLDING
161534-02-CHT
- BOLT
106956-03-000 (2)
- WASHER-LOCK
E11-08-00B (2)
- WASHER
E13-22-00B (2)



| | |
|----------------------|-----------------------|
| FIRST USED | 09 P34Y |
| DO NOT SCALE DRAWING | |
| TITLE | DRAINAGE SYSTEM INSTL |
| SHEET 3 | PART NO 166537 REV |



- NOTES:
- 7. ADD PIPE WRAP (LADDER SCRAP 110157-02-000) INSULATION.
 - 6. ADD TEFLON TAPE 10405-03-000.
 - 5. ADD TEFLON TAPE 10405-02-000.
 - 4. ADD TEFLON TAPE 10405-01-000.
3. ALL TUBING TO BE SECURED AT 1200 INTERVALS MAXIMUM WITH CLAMP 10495-01-000 AND SCREW G67-10-12B OR EQUIVALENT.
 2. TUBING TO BE INSTALLED WITH SUFFICIENT SLOPE TO PROVIDE DRAINAGE TO NEAREST VALVE.
 1. PLASTIC FITTINGS TO BE SEALED WITH SEALANT 84456-01-000.

(X-X)
FOR
WATER
CALLOUTS
SEE DWG NO
116230-01-000

| | | | |
|---------------------------|-------------|---|--------|
| WINNEBAGO | | COPYRIGHT 2009 WINNEBAGO INDUSTRIES, INC. | |
| DFTR | ORIG. DATE | ALL DIMENSIONS ARE IN MILLIMETERS | |
| CHKR | | FIRST USED | |
| P.E. | | 09 P34Y | |
| M.E. | | UNSPECIFIED TOLERANCES ARE: | |
| DSNR | | MATERIAL: | |
| | | WHOLE DIM (X) | : 3 |
| | | ONE-PLACE (X.X) | : 1.5 |
| | | TWO-PLACE (X.XX) | : 0.50 |
| | | ANGLE | : 1° |
| THIRD ANGLE PROJECTION | | DO NOT SCALE DRAWING | |
| TITLE: WATER SYSTEM INSTL | | | |
| SHEET 1 OF 3 | PART NO | 166536 | REV |
| REF: | 1 3/27/2009 | | |

BREAKER-VACUUM
125697-04-000
CHECK VALVE
125697-03-000
(MUST BE MOUNTED ABOVE
TOILET FLOOD LEVEL)

FAUCET-LAV
152311-02-CHT

PANEL-SHOWER FAUCET
167738-02-CHT
SCREW
G11-08-12U(4)
COVER
166569-01-CHT(4)

VALVE-SHOWER HEAD
128974-01-CHT

SHOWER HEAD
129390-03-CHT
SCREW
G12-10-16F (4)

VIEW G

FAUCET
98419-01-000 (2)

WATER HEATER
145541-01-000
DOOR
125420-05-CHT
AL EXTR
100885-51-034 (4)
SCREW
G39-10-169 (16)
CABLE ASM
76767-03-000
SCREW
113563-01-CHT
SEALANT
69640-03-000

BRACKET-VALVE
151245-04-CHT
SCREW
G67-10-10U(4)

FAUCET-GALLEY
123744-03-CHT

FAUCET-WATER PURIFIER
103635-01-000

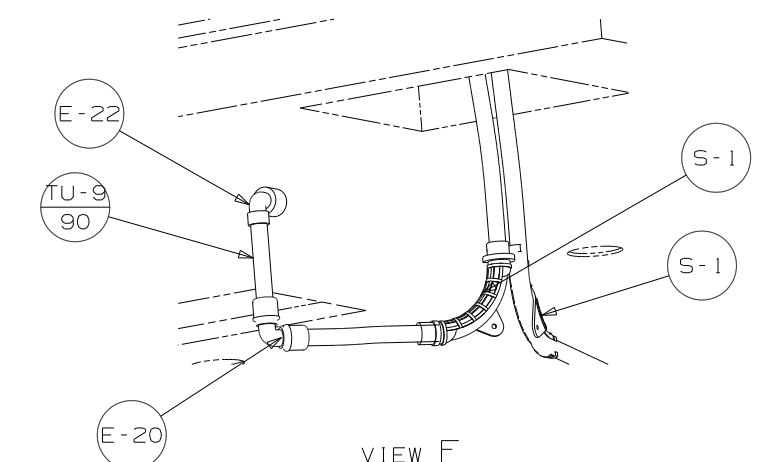
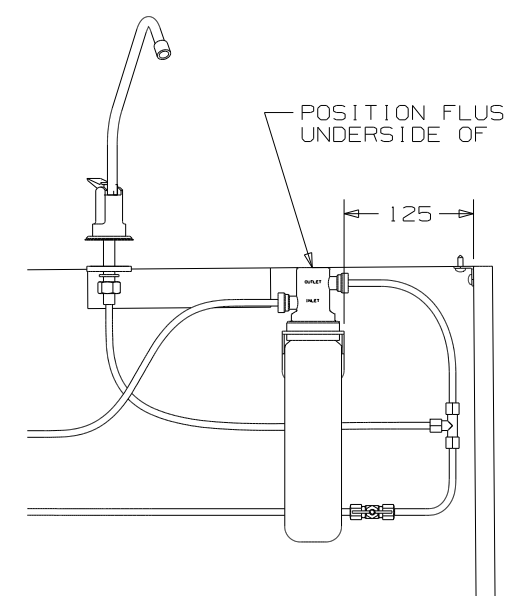
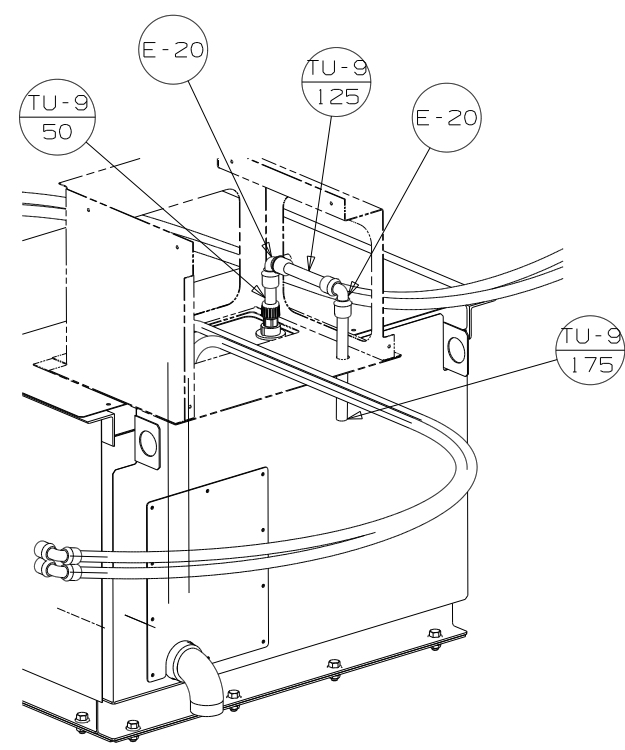
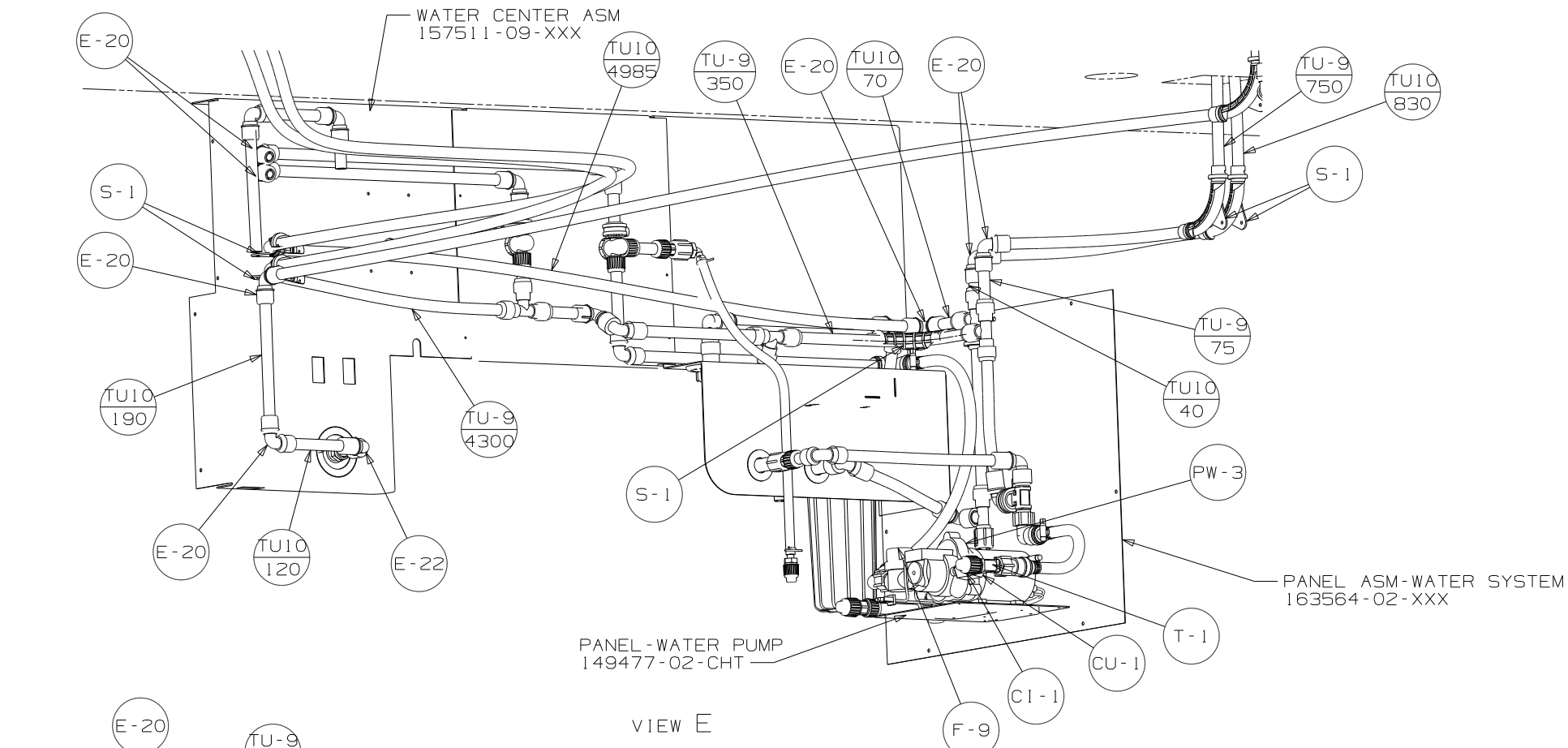
FILTER KIT-WATER
160946-01-000

VIEW A

VIEW B

VIEW C

| | | | |
|------------|----------------------|--------|-----|
| FIRST USED | 09 P34Y | | |
| TITLE | DO NOT SCALE DRAWING | | |
| TITLE | WATER SYSTEM INSTL | | |
| SHEET 2 | PART NO | 166536 | REV |



| | | | |
|------------|----------------------|--------|-------------|
| FIRST USED | 09 P34Y | | |
| TITLE | DO NOT SCALE DRAWING | | |
| | WATER SYSTEM INSTL | | |
| SHEET 3 | PART NO | 166536 | REV |
| | | | 1 3/27/2009 |