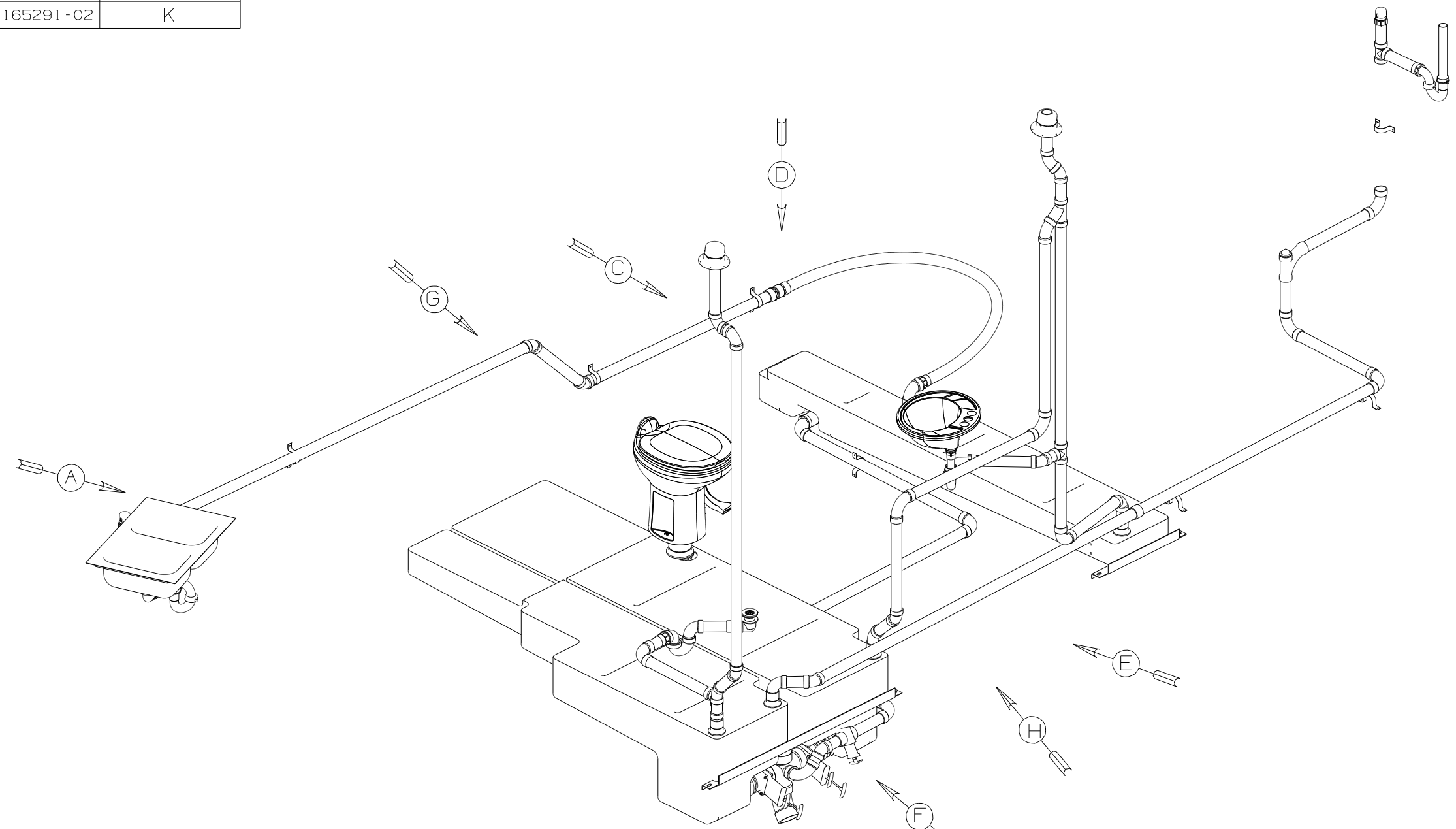


DWG NO	DETAIL
165291-01	J
165291-02	K

RELEASE	REV DATE	DWG NO
A		165291
REV ZONE	REVISION RECORD	DATE DFR-ORIG



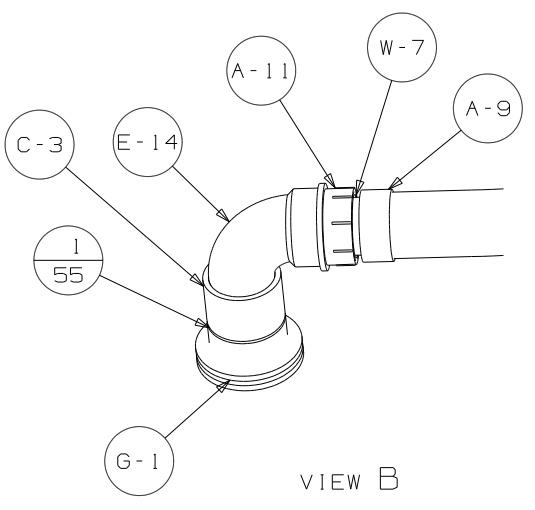
- 9. USE SMOOTH PLUMBERS PUTTY 167459-01-000 TO SEAL STRAINER (.2 PER STRAINER)
- 8. SECURE DRAINAGE PIPES TO CABINET USING WIRE TIE 108046-02-000, AND SCREW G67-10-12B AT INTERVALS OF NOT MORE THAN 4 FEET APART.
- 7. SECURE VENT PIPE TO FLOOR WITH CLAMP 62401-02-000 (2), SCREW G67-10-12B (2), BRACKET 136878-01-CHT (2).
- 6. VENT PIPE MUST PROJECT 51 MIN AND 64 MAX ABOVE ROOF FOR PROPER FIT AND FUNCTION.
- 5. SEAL AROUND SHOWER WITH SILICONE.
- 4. DO NOT ATTACH ANY OTHER SYSTEM TO PIPE-FLEX 126426-01.
- 3. ALL PIPE AND FITTINGS TO BE ASSEMBLED WITH SOLVENT 4020-01-000 (USA), 4020-02-000 (CAN)
- 2. SLOPE OF TRAP ARM MUST BE 6 PER 305 mm.
- 1. SLOPE OF HORIZONTAL PIPING TO BE MINIMUM OF 3 PER 305 mm.

- (1B1) CODES/STANDARDS-USA
- (265) CODES/STDS-CSA-/CMVSS
- (54E) WASHER/DRYER
- (21M) WASHER/DRYER PREP

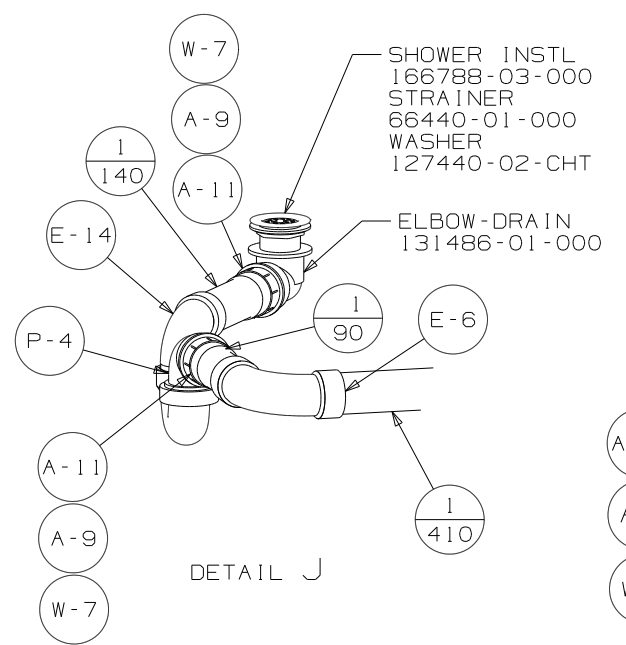
WINNEBAGO COPYRIGHT 2008 WINNEBAGO INDUSTRIES, INC.

D/FR	ORIG. DATE
CHKR	ALL DIMENSIONS ARE IN MILLIMETERS
P.E.	
M.E.	FIRST USED
DSNR	09 M39W
UNSPECIFIED TOLERANCES ARE:	MATERIAL:
HOLE DIM (X)	: 3
ONE-PLACE (X.X)	: 1.5
TWO-PLACE (X.XX)	: 0.50
ANGLE	: 1°
THIRD ANGLE PROJECTION	
DO NOT SCALE DRAWING	
TITLE: DRAINAGE SYSTEM INSTL	
SHEET 1 OF 5	PART NO 165291 REV

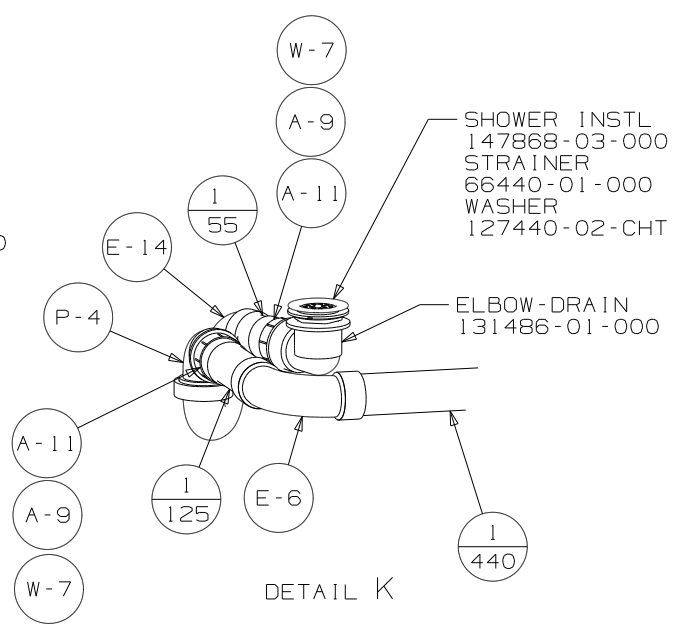
FOR DRAINAGE CALLOUTS SEE DWG NO 116229-01-000



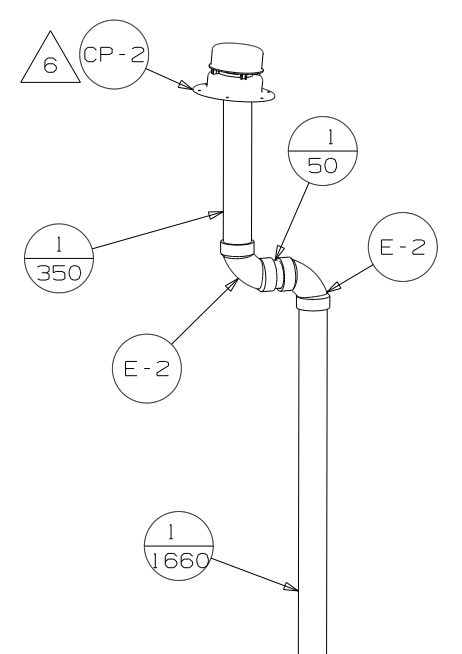
VIEW B



DETAIL J



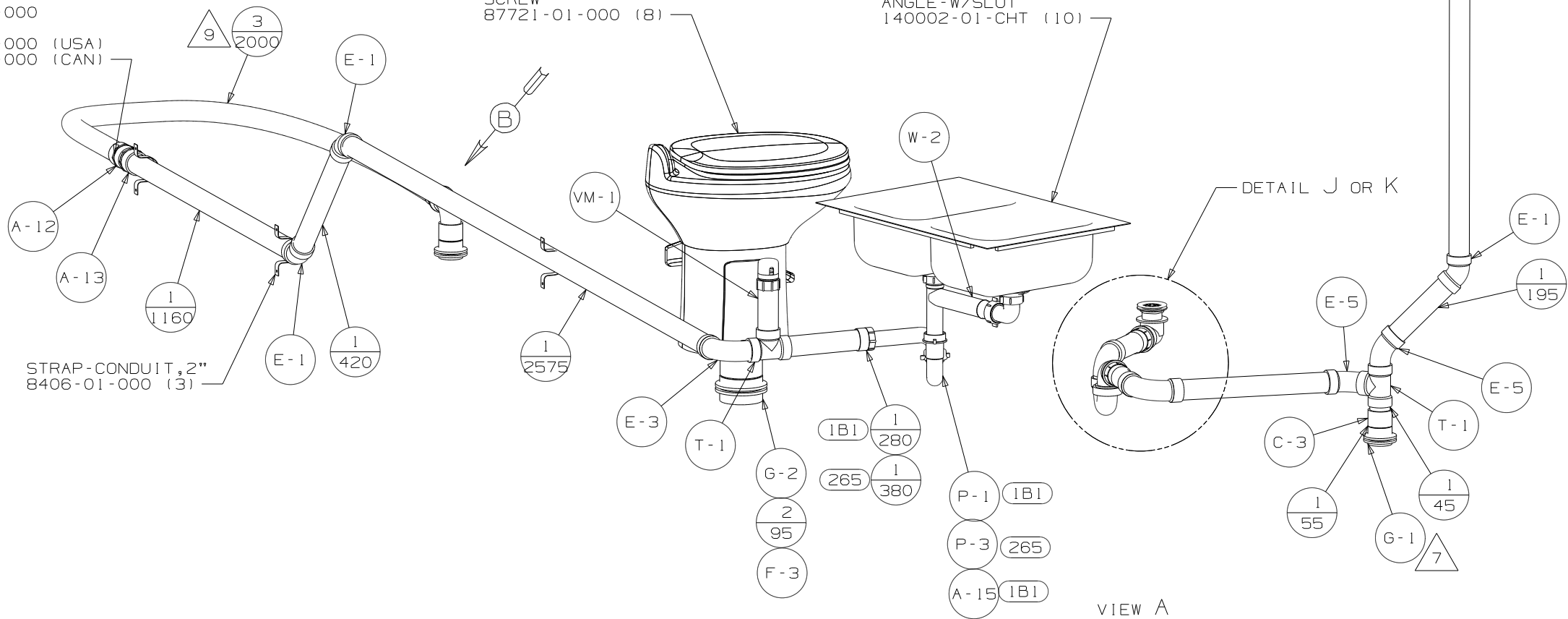
DETAIL K



PRIMER
126427-02-000
CEMENT
126427-01-000 (USA)
126427-03-000 (CAN)

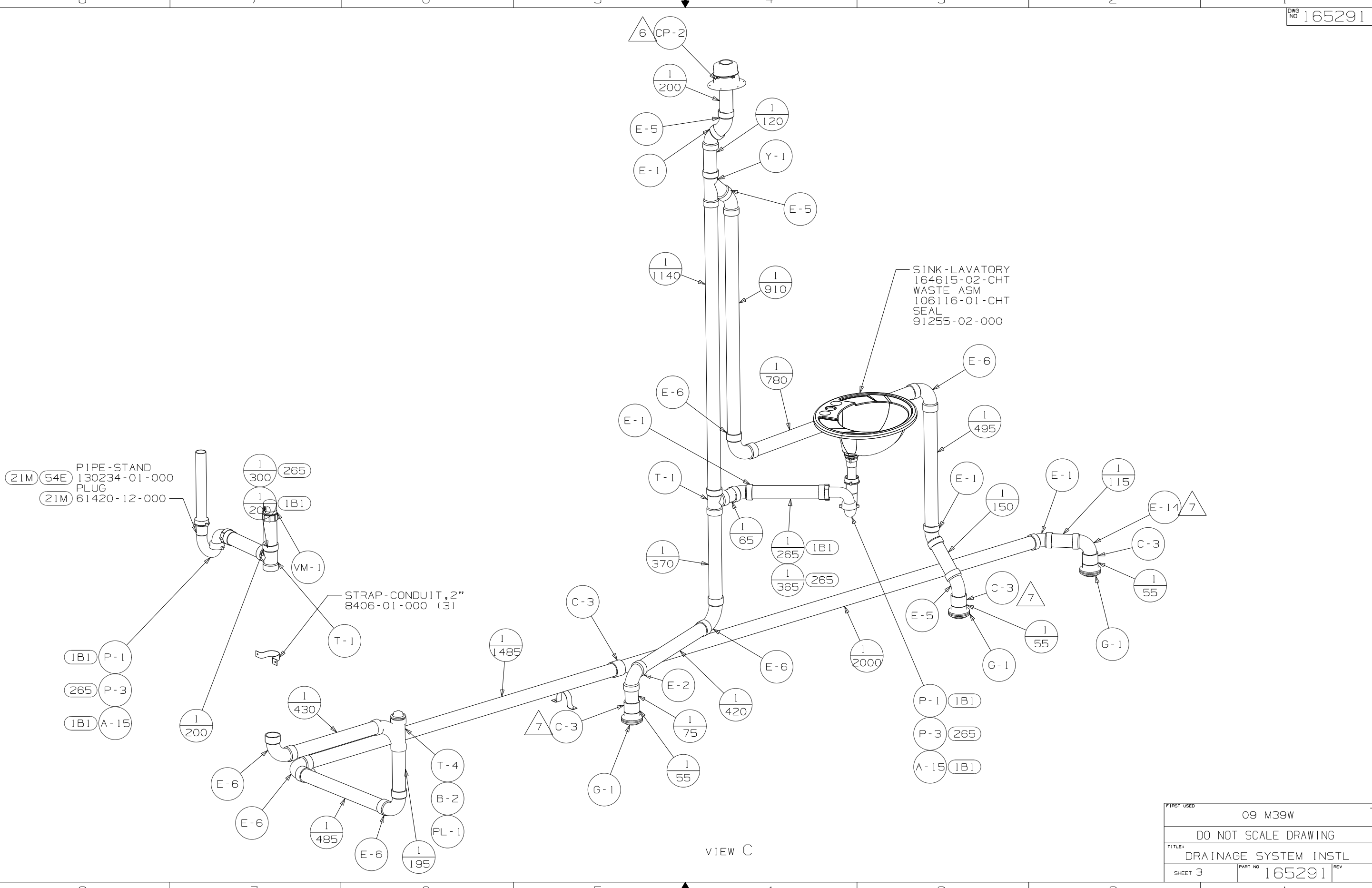
TOILET-STYLE 11, W/SPRAYER
160815-01-CHT
SCREW
87721-01-000 (8)

SINK-SST, DBL LG/SM BASIN
104113-01-CHT
STRAINER
92303-01-000 (2)
SCREW
G67-10-08B (8)
SEAL
(A/R)
ANGLE-W/SLOT
140002-01-CHT (10)



VIEW A

FIRST USED	09 M39W	
TITLE	DO NOT SCALE DRAWING	
	DRAINAGE SYSTEM INSTL	
SHEET 2	PART NO 165291	REV



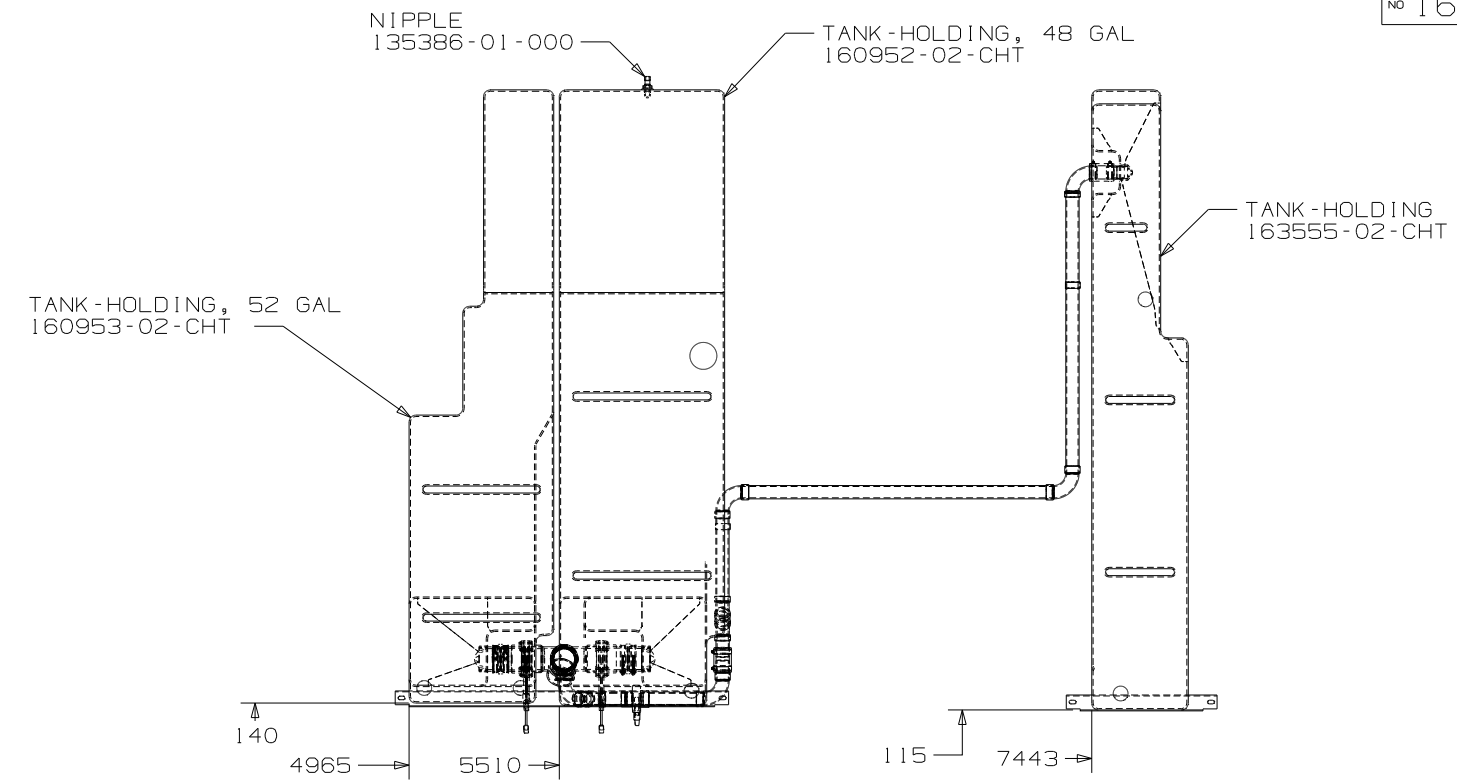
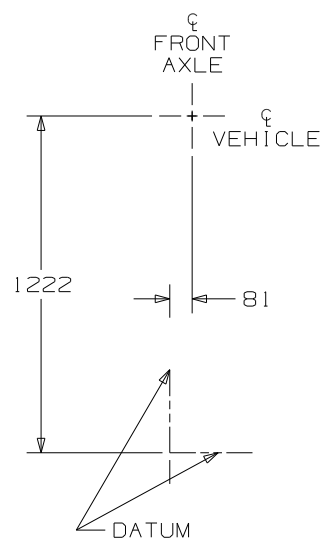
SINK - LAVATORY
 164615-02-CHT
 WASTE ASM
 106116-01-CHT
 SEAL
 91255-02-000

PIPE-STAND
 130234-01-000
 PLUG
 61420-12-000

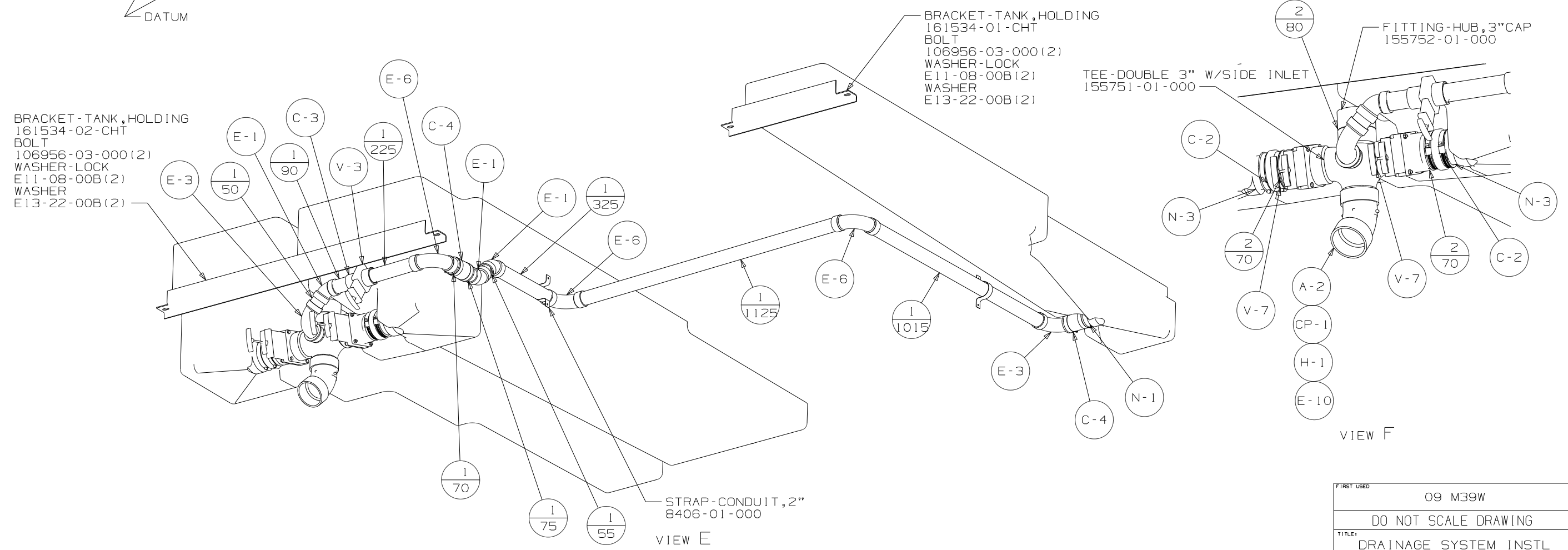
STRAP-CONDUIT, 2"
 8406-01-000 (3)

VIEW C

FIRST USED	09 M39W	
TITLE	DO NOT SCALE DRAWING	
	DRAINAGE SYSTEM INSTL	
SHEET 3	PART NO 165291	REV

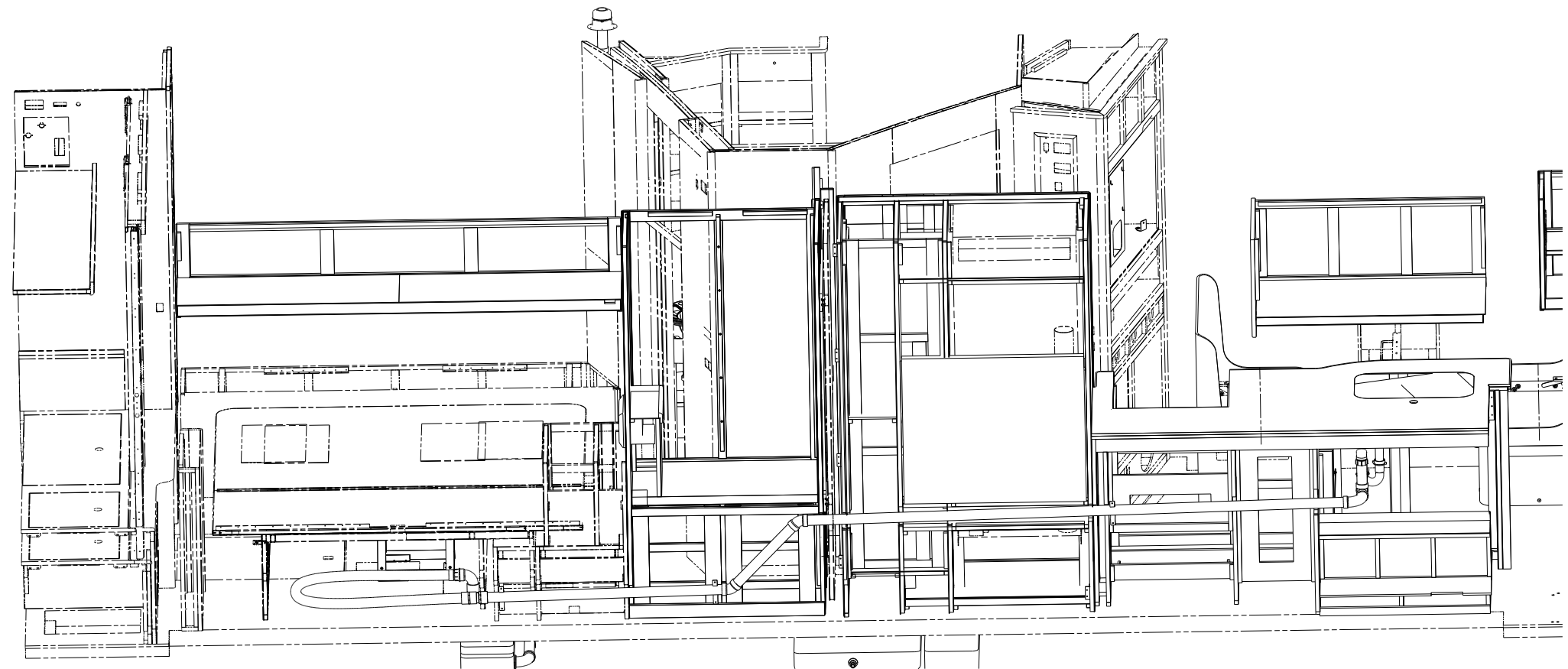


VIEW D

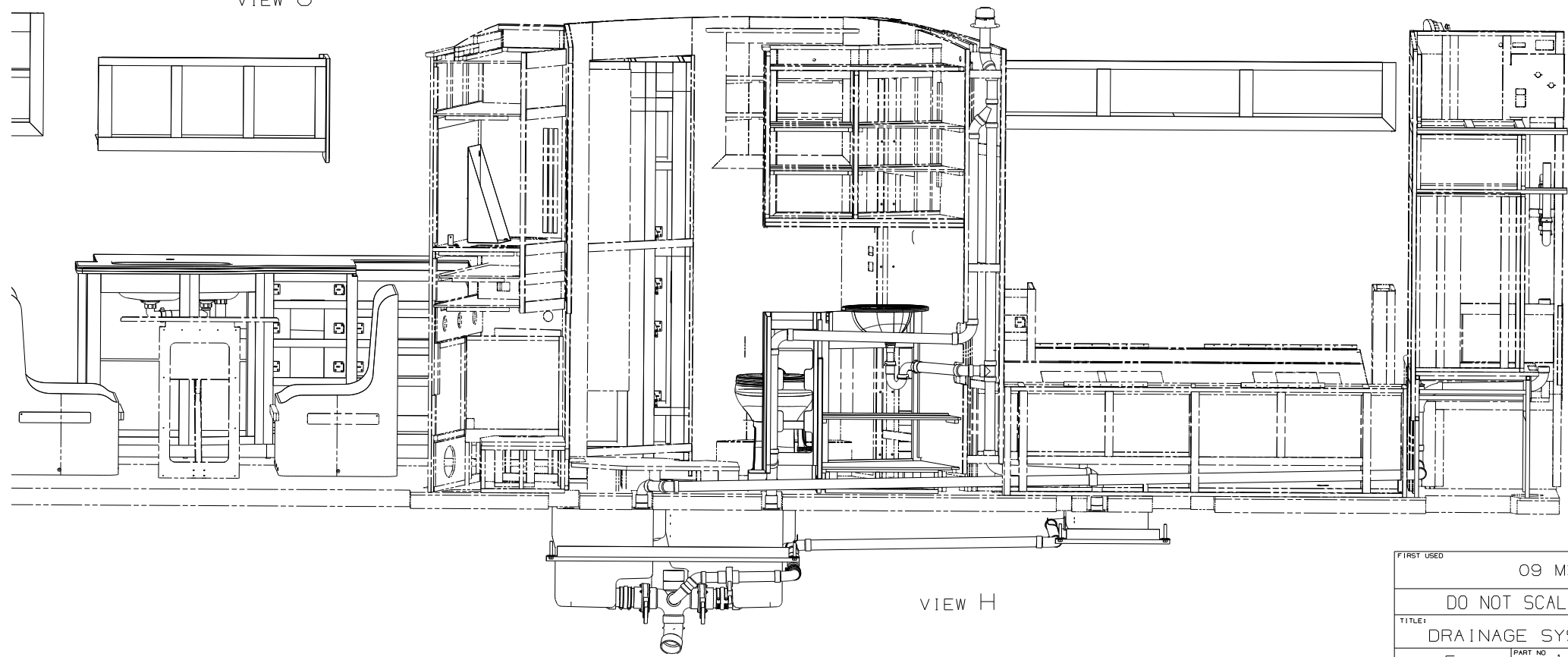


VIEW E

FIRST USED	09 M39W	
TITLE	DO NOT SCALE DRAWING	
	DRAINAGE SYSTEM INSTL	
SHEET 4	PART NO 165291	REV
	1 9/4/2008	

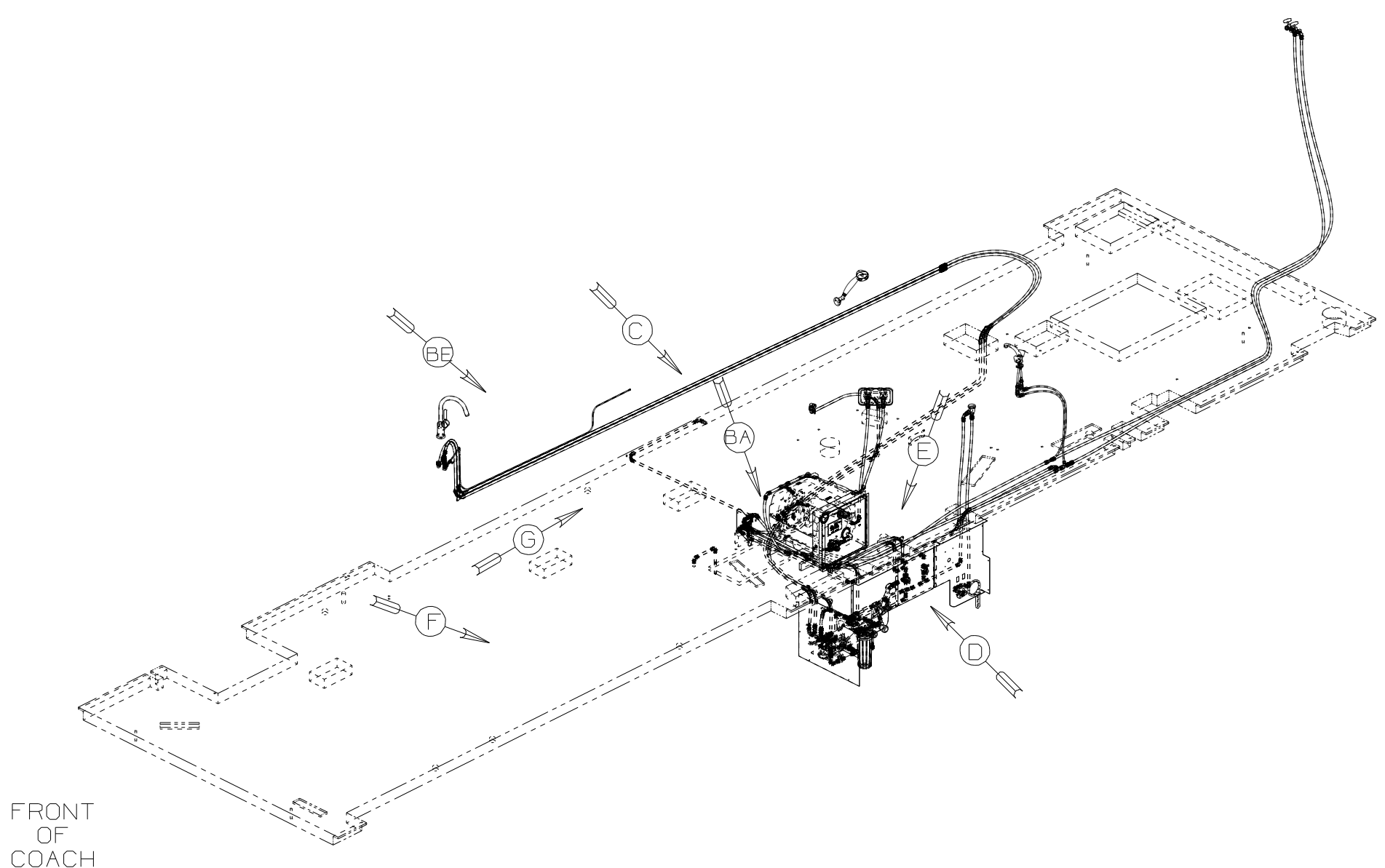


VIEW G



VIEW H

FIRST USED	09 M39W	
TITLE	DO NOT SCALE DRAWING	
	DRAINAGE SYSTEM INSTL	
SHEET 5	PART NO	165291
	REV	



FRONT OF COACH

- (79W) REFRIGERATOR-4 DOOR
- (144) REFRIGERATOR-DOUBLE DOOR

- NOTES:
- 5 ADD TEFLON TAPE 10405-02-000.
 - 4 ADD TEFLON TAPE 10405-01-000.
 3. ALL TUBING TO BE SECURED AT 1200 INTERVALS MAXIMUM WITH CLAMP 10495-01-000 AND SCREW G67-10-12B OR EQUIVALENT.
 2. TUBING TO BE INSTALLED WITH SUFFICIENT SLOPE TO PROVIDE DRAINAGE TO NEAREST VALVE.
 1. PLASTIC FITTINGS TO BE SEALED WITH SEALANT 84456-01-000.

(X-X)
FOR WATER CALLOUTS SEE DWG NO 116230-01-000

WINNEBAGO		COPYRIGHT 2009 WINNEBAGO INDUSTRIES, INC.	
DFTR	ORIG. DATE	ALL DIMENSIONS ARE IN MILLIMETERS	
CHKR			
P.E.		FIRST USED	
M.E.		09 M39W	
DSNR			
UNSPECIFIED TOLERANCES ARE:		MATERIAL:	
WHOLE DIM (X)	: 3		
ONE-PLACE (X.X)	: 1.5		
TWO-PLACE (X.XX)	: 0.50		
ANGLE	: 1°		
THIRD ANGLE PROJECTION			
DO NOT SCALE DRAWING			
TITLE: WATER SYSTEM INSTL			
SHEET 1 OF 4	PART NO	165292	REV

PANEL-SHOWER FAUCET
167738-02-CHT
SCREW
G11-08-12U (4)
COVER
166569-01-CHT (4)

4
BREAKER-VACUUM
125697-04-000
CHECK VALVE
125697-03-000
(MUST BE MOUNTED ABOVE
TOILET FLOOD LEVEL)

FAUCET-LAV, DUAL
151680-01-CHT

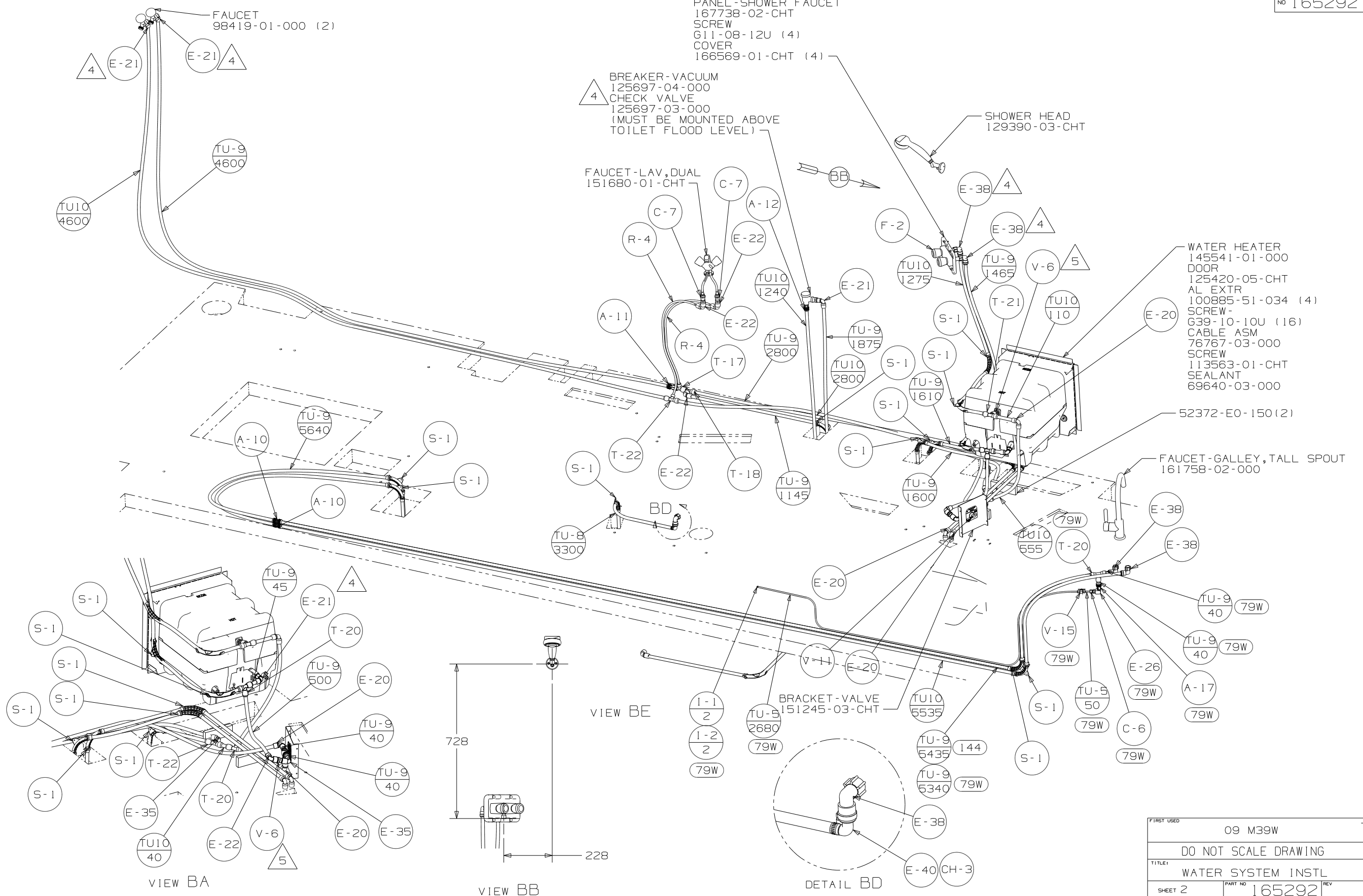
SHOWER HEAD
129390-03-CHT

WATER HEATER
145541-01-000
DOOR
125420-05-CHT
AL EXTR
100885-51-034 (4)
SCREW-
G39-10-10U (16)
CABLE ASM
76767-03-000
SCREW
113563-01-CHT
SEALANT
69640-03-000

52372-E0-150 (2)
FAUCET-GALLEY, TALL SPOUT
161758-02-000

BRACKET-VALVE
151245-03-CHT

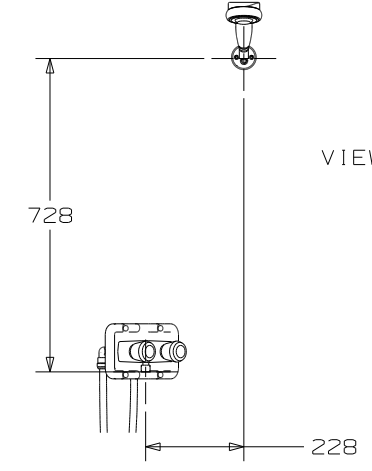
FIRST USED	09 M39W
TITLE	DO NOT SCALE DRAWING
TITLE	WATER SYSTEM INSTL
SHEET 2	PART NO 165292
	REV



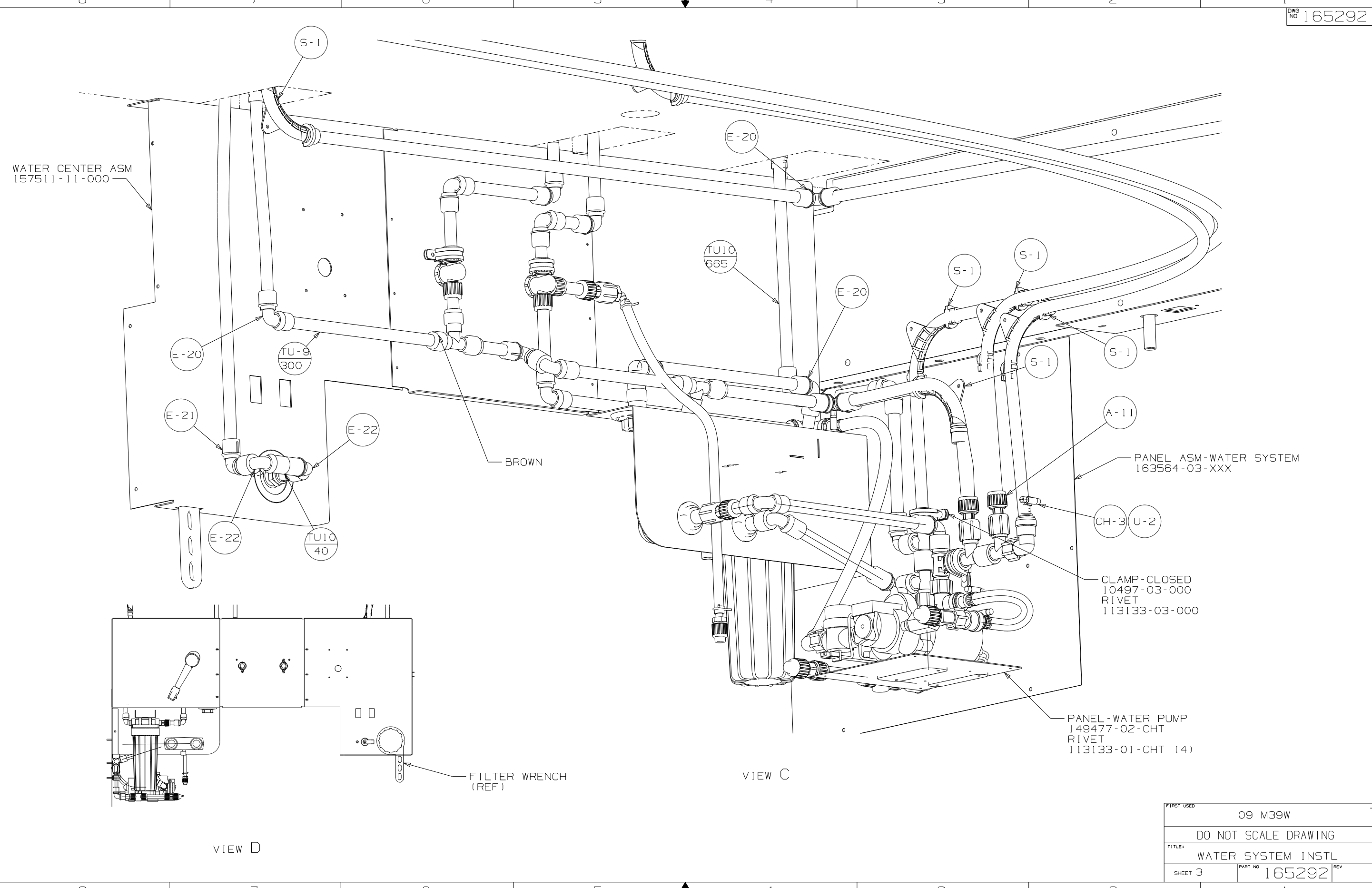
VIEW BA

VIEW BE

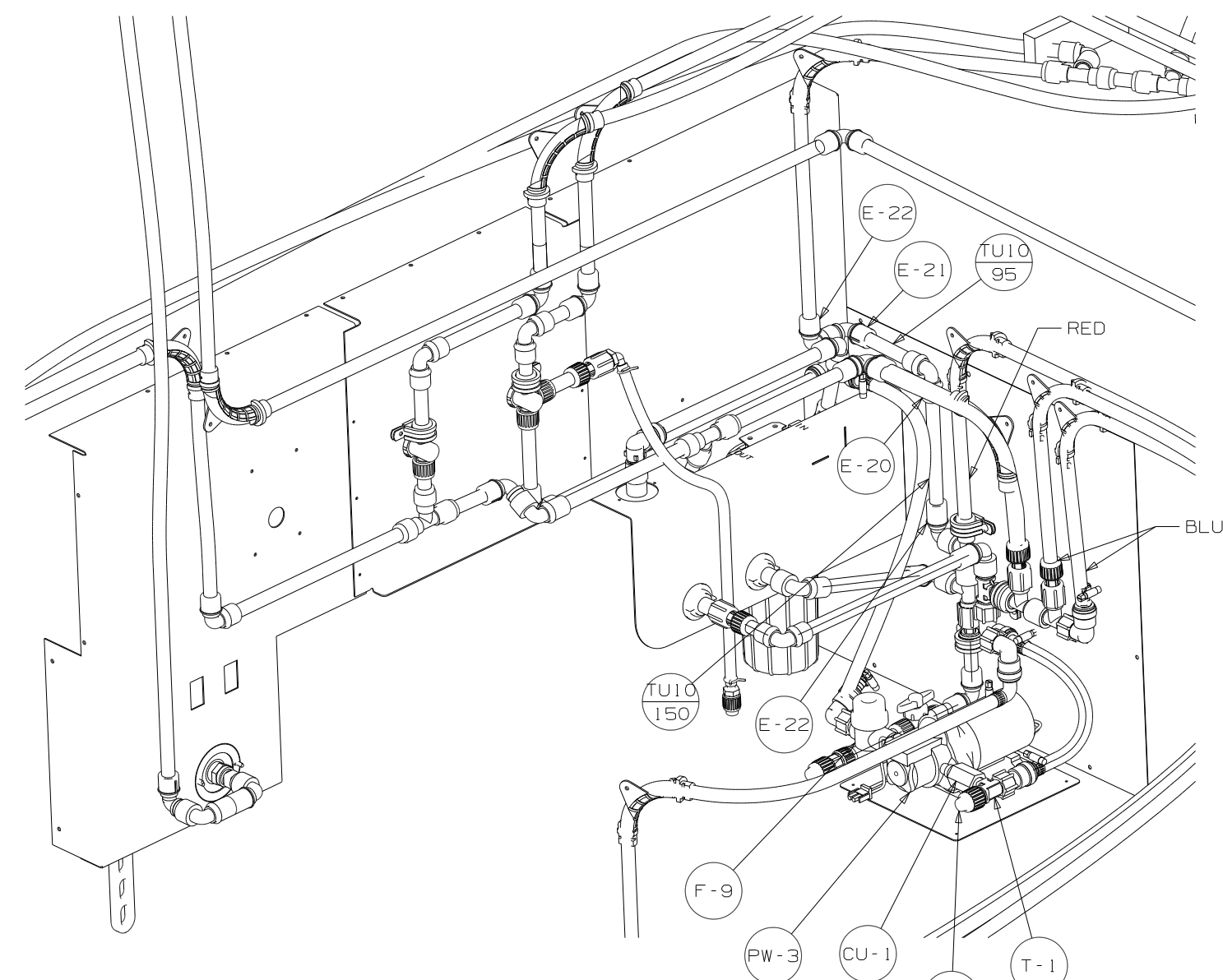
DETAIL BD



VIEW BB

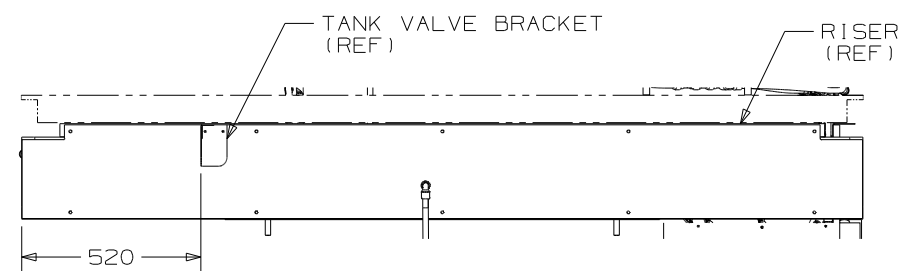


FIRST USED	09 M39W	
TITLE	DO NOT SCALE DRAWING	
SHEET 3	PART NO	165292
	REV	1 2/13/2009

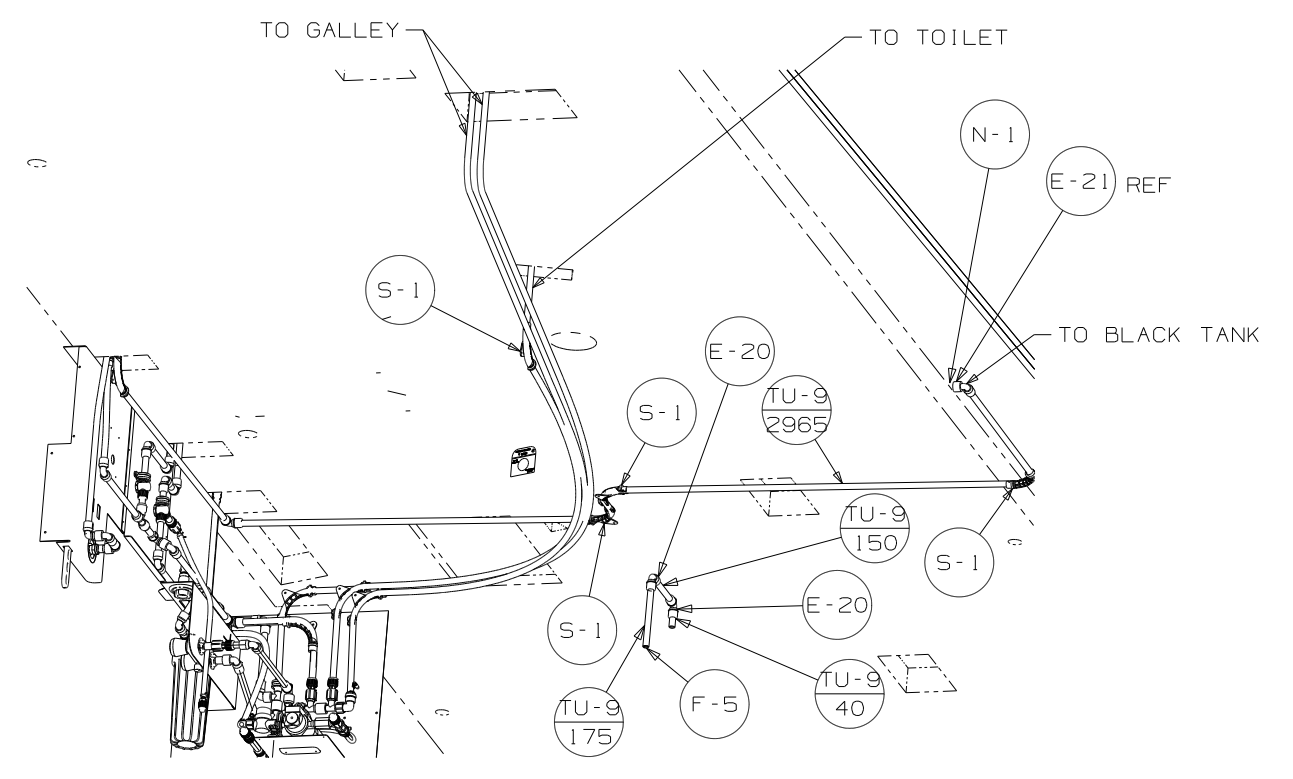


VIEW E
FLOOR NOT SHOWN

SCREW
G39-10-20U (4)



VIEW G
FRONT SIDE OF RISER



VIEW F

FIRST USED	09 M39W	
TITLE	DO NOT SCALE DRAWING	
	WATER SYSTEM INSTL	
SHEET 4	PART NO	165292
	REV	