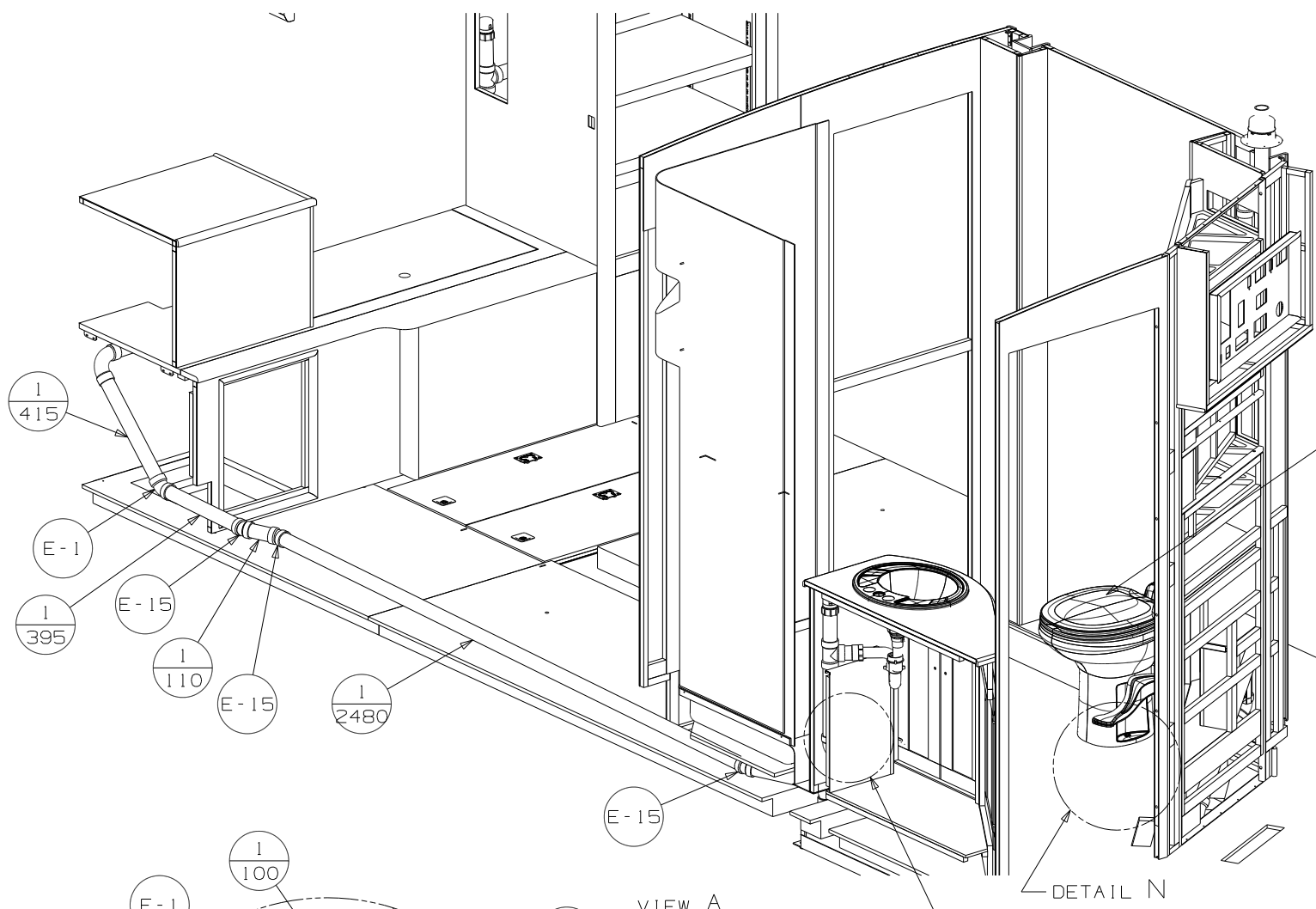


- (265) CODES/STANDARDS-CSA/CMVSS
- (1B1) CODES/STANDARDS-USA
- (54E) WASHER/DRYER
- (21M) WASHER/DRYER PREP
- (1D3) EXTERIOR ENT CTR - W/ TV
- (299) EXTERIOR ENT CTR - W/OUT

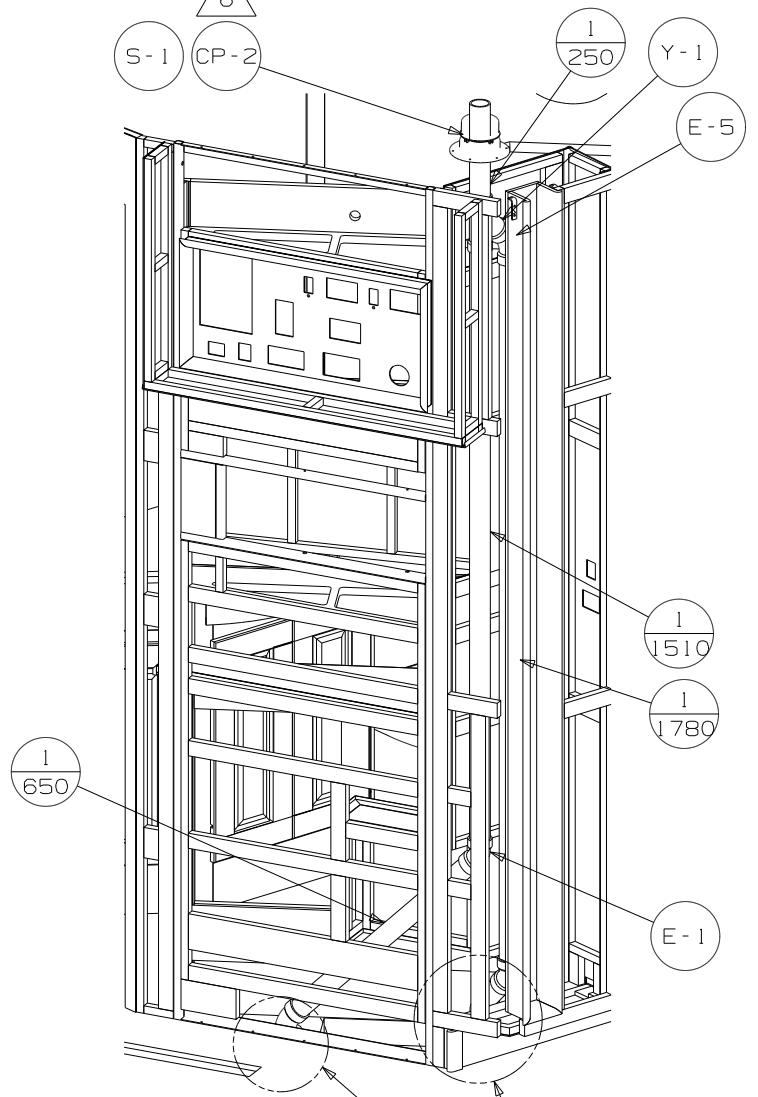
- 9. SECURE PIPES TO FLOOR USING BRACKET 136878-01-CHT (3) CLAMP 62401-02-000 (3) AND SCREW G67-10-12B (3).
- 8. SECURE PIPES TO CABINET USIN WIRE TIE 108046-02-000 AND SCREW G67-10-12U (8).
- 7. SEE DWG 61607-01-000 FOR INSTL OF GROMMET.
- 6. VENT PIPE MUST PROJECT 51 MIN AND 64 MAX ABOVE ROOF FOR PROPER FIT AND FUNCTION.
- 5. SEAL AROUND SHOWER WITH SILICONE.
- 4. USE SMOOTH PLUMBERS PUTTY 167459-01-000 TO SEAL STRAINER (0.2 PER STRAINER).
- 3. ALL PIPE AND FITTINGS TO BE ASSEMBLED WITH SOLVENT 4020-01-000 (US) 4020-02 (CAN).
- 2. SLOPE OF TRAP ARM MUST BE 6 PER 305 mm.
- 1. SLOPE OF HORIZONTAL PIPING TO BE MIN 3 PER 305 mm.

NOTES:

<b>WINNEBAGO</b>		COPYRIGHT 2009 WINNEBAGO INDUSTRIES, INC.	
DFT	ORIG. DATE	ALL DIMENSIONS ARE IN MILLIMETERS	
CHKR		FIRST USED	
P.E.		09 M39N	
M.E.		UNSPECIFIED TOLERANCES ARE:	
DSNR		MATERIAL:	
		WHOLE DIM (X)	: 3
		ONE-PLACE (X.X)	: 1.5
		TWO-PLACE (X.XX)	: 0.50
		ANGLE	: 1°
THIRD ANGLE PROJECTION			
DO NOT SCALE DRAWING			
TITLE: DRAINAGE SYSTEM INSTL			
SHEET 1 OF 4	PART NO	165058	REV
REF:	1 1/12/2009		



TOILET  
160815-01-CHT  
SCREW  
87721-01-000 (8)



VIEW A  
(ROTATED)

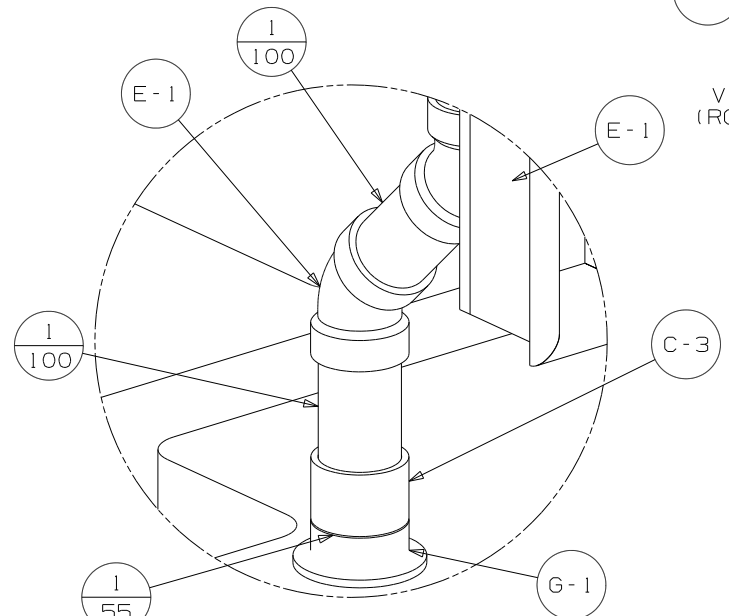
DETAIL N

DETAIL B

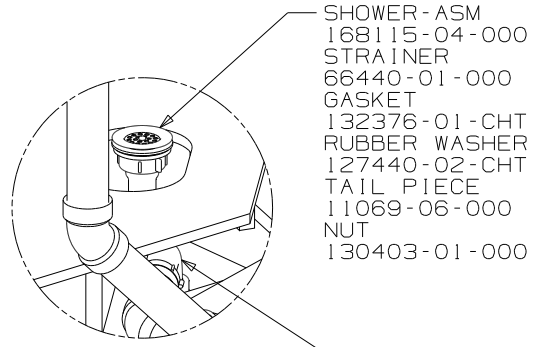
DETAIL D

DETAIL E

VIEW C

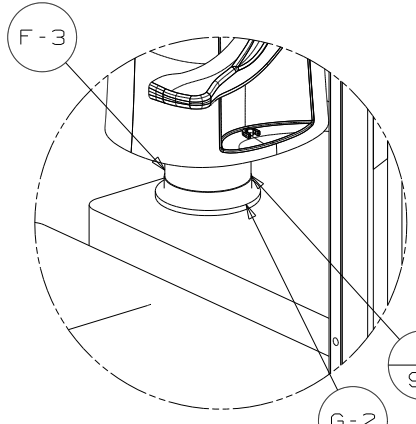


DETAIL D  
(SHOWN W/OUT FLOOR AND CABINET)

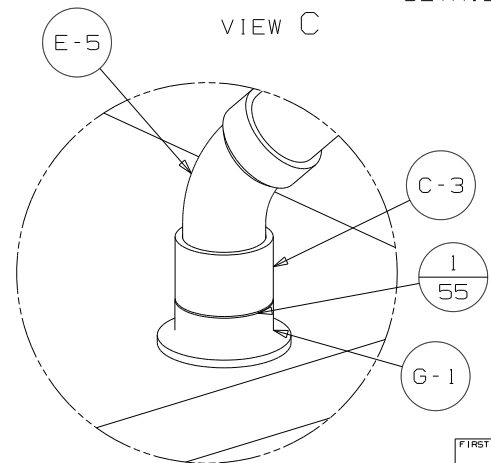


DETAIL B  
SHOWN W/OUT SHOWER

P-1 (1B1)  
P-3 (265)  
A-15 (1B1)



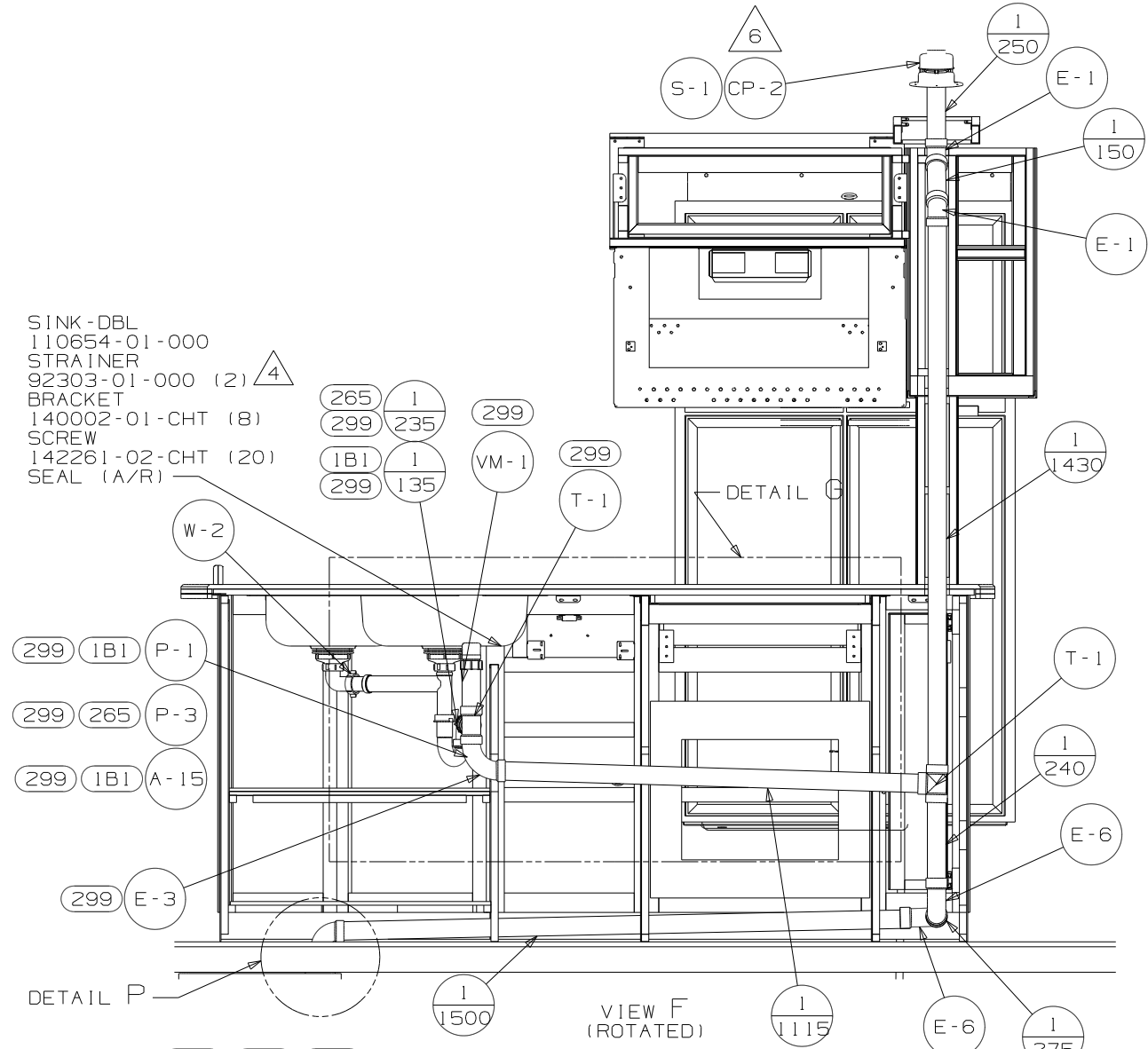
DETAIL N  
(SHOWN W/OUT FLOOR)



DETAIL E  
(SHOWN W/OUT FLOOR AND CABINET)

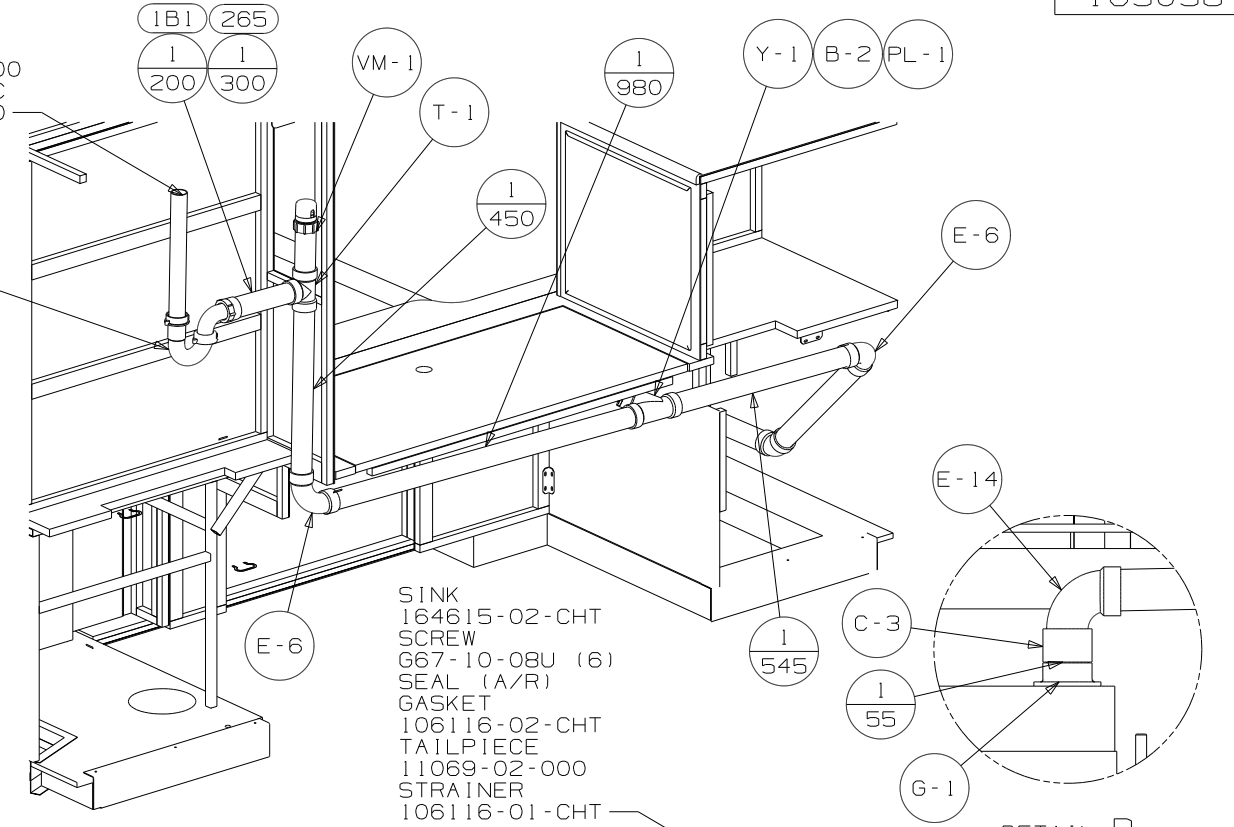
FIRST USED	09 M39N
DO NOT SCALE DRAWING	
TITLE	DRAINAGE SYSTEM INSTL
SHEET 2	PART NO 165058 REV

SINK - DBL  
 110654-01-000  
 STRAINER  
 92303-01-000 (2)  $\Delta$   
 BRACKET  
 140002-01-CHT (8)  
 SCREW  
 142261-02-CHT (20)  
 SEAL (A/R)



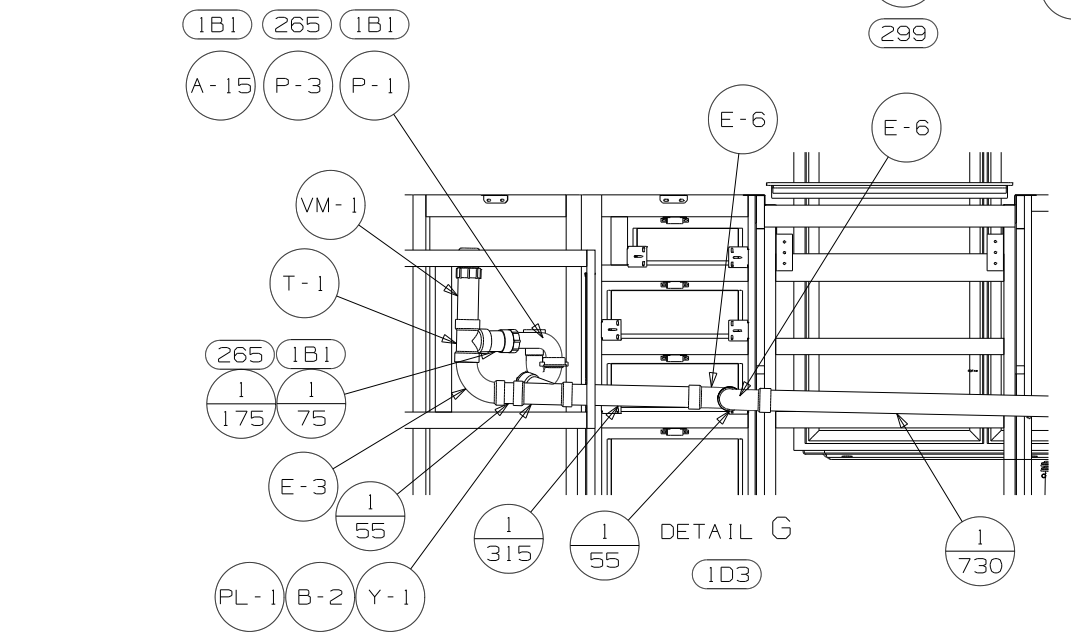
PIPE-STAND  
 130234-01-000  
 PLUG-PLASTIC  
 61420-12-000

21M 54E  
 21M  
 1B1 P-1  
 265 P-3  
 1B1 A-15

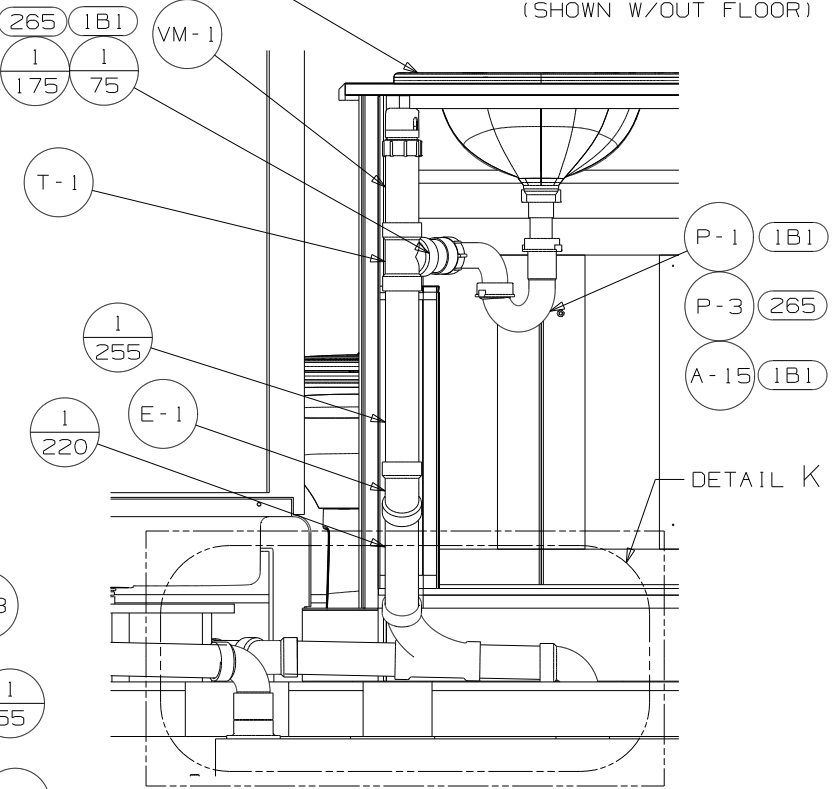


VIEW H

DETAIL P (SHOWN W/OUT FLOOR)



DETAIL K



VIEW J (ROTATED)

FIRST USED	09 M39N
DO NOT SCALE DRAWING	
TITLE: DRAINAGE SYSTEM INSTL	
SHEET 3	PART NO 165058 REV

BRACKET-TANK, HOLDING  
161534-06-CHT  
BOLT  
106956-03-000 (2)  
WASHER-LOCK  
E11-08-00B (2)  
WASHER  
E13-22-00B (2)

TANK ASM-HOLDING  
165641-02-000

TANK ASM-HOLDING  
165640-02-000

BRACKET-TANK, HOLDING  
161534-05-CHT  
BOLT  
106956-03-000 (2)  
WASHER-LOCK  
E11-08-00B (2)  
WASHER  
E13-22-00B (2)

TANK ASM-HOLDING  
165639-02-000

BRACKET-TANK, HOLDING  
161534-02-CHT  
BOLT  
106956-03-000 (2)  
WASHER-LOCK  
E11-08-00B (2)  
WASHER  
E13-22-00B (2)

VIEW M  
(BELOW FLOOR SHOWN ONLY)

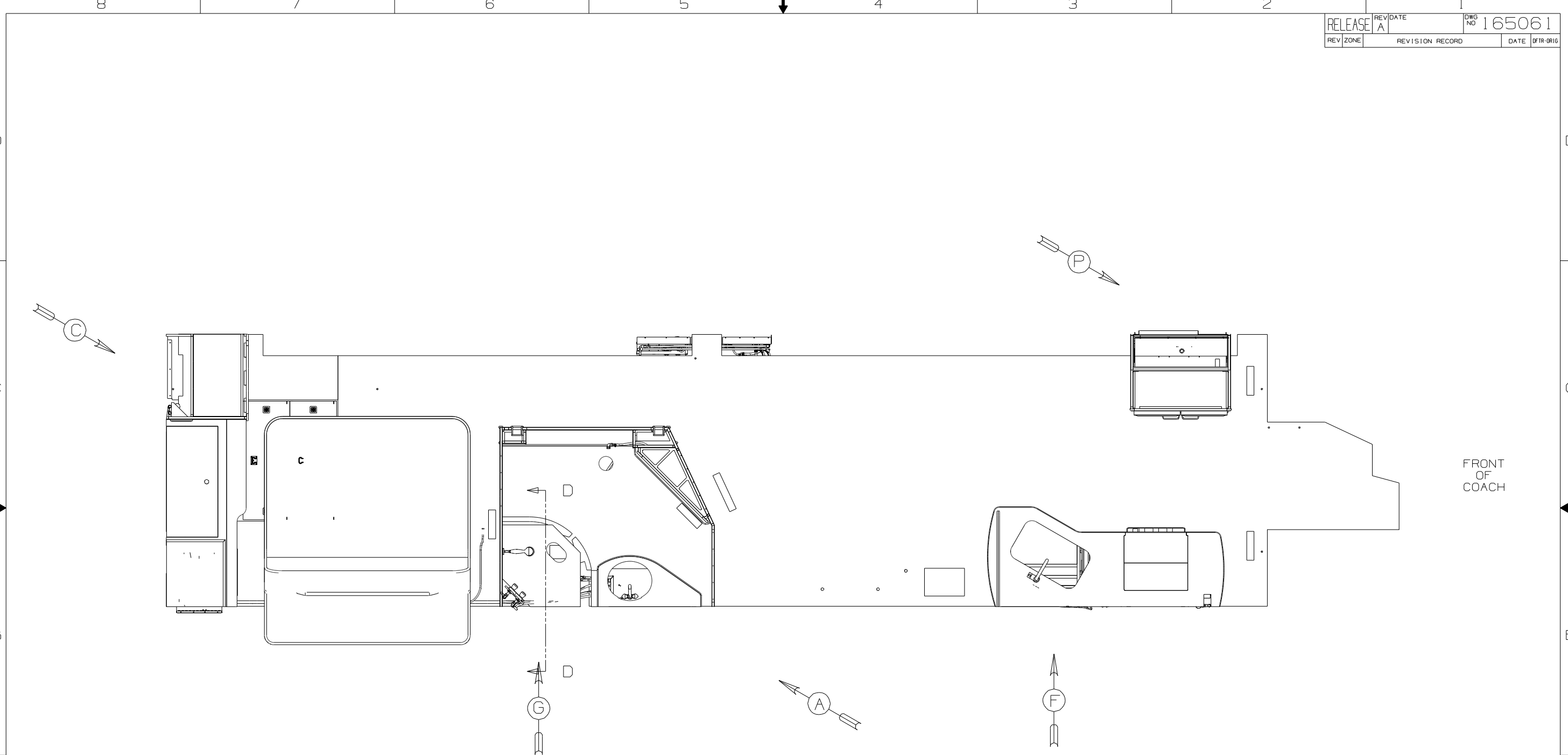
FITTING-HUB  
155752-01-000

2  
65

FITTING-HUB  
155751-01-000

VIEW L

FIRST USED	09 M39N	
TITLE	DO NOT SCALE DRAWING	
TITLE	DRAINAGE SYSTEM INSTL	
SHEET 4	PART NO	REV
	165058	

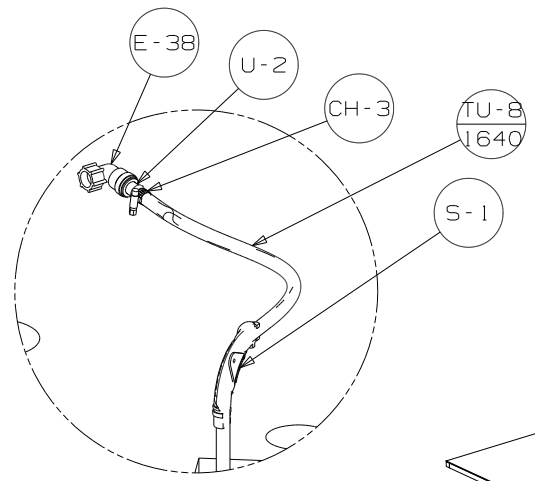


FRONT OF COACH

- NOTES:
- 7. ADD PIPE WRAP (LADDER SCRAP 110157-02-000) INSULATION.
  - 6. ADD TEFLON TAPE 10405-03-000.
  - 5. ADD TEFLON TAPE 10405-02-000.
  - 4. ADD TEFLON TAPE 10405-01-000.
3. ALL TUBING TO BE SECURED AT 1200 INTERVALS MAXIMUM WITH CLAMP 10495-01-000 AND SCREW G67-10-12B OR EQUIVALENT.
  2. TUBING TO BE INSTALLED WITH SUFFICIENT SLOPE TO PROVIDE DRAINAGE TO NEAREST VALVE.
  1. PLASTIC FITTINGS TO BE SEALED WITH SEALANT 84456-01-000.

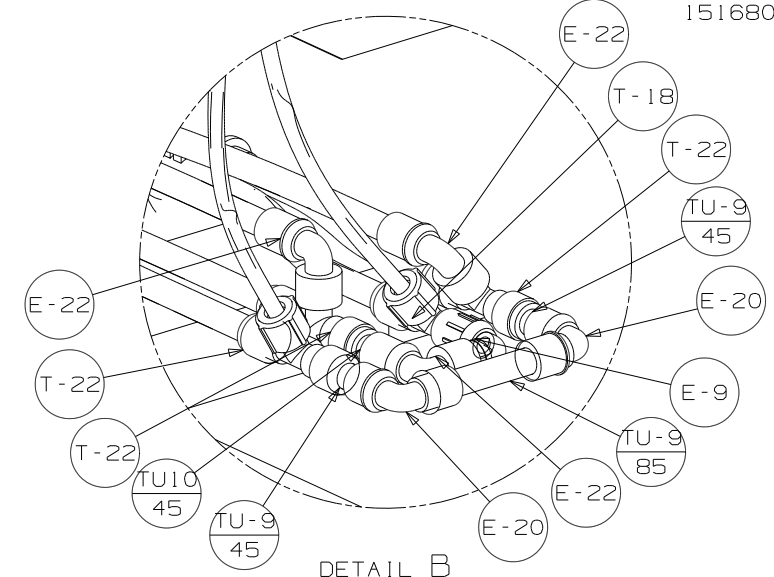
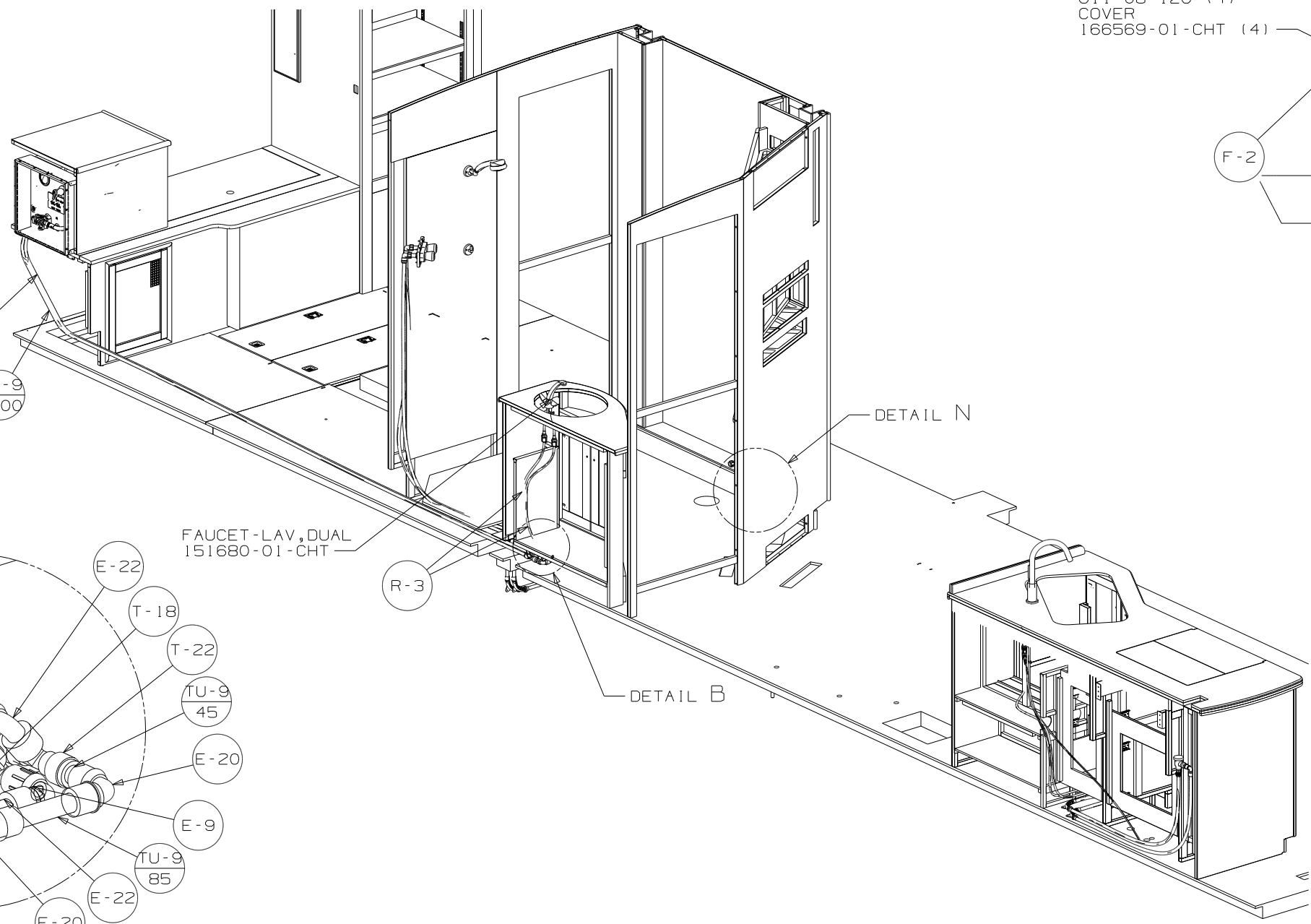
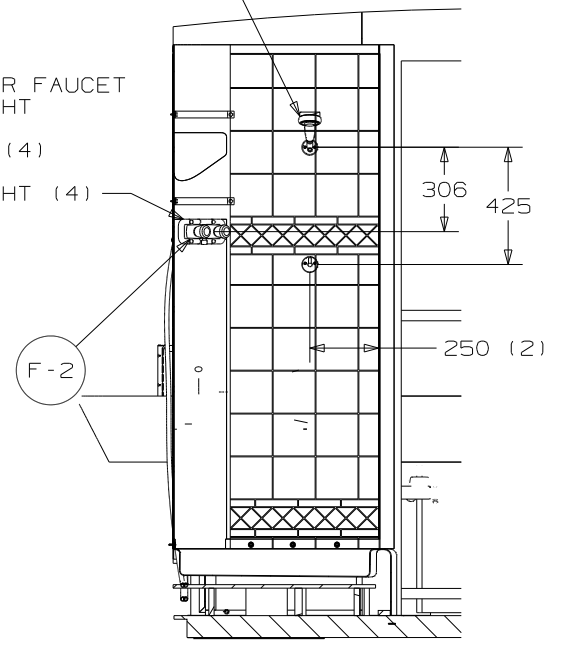
<b>WINNEBAGO</b>		COPYRIGHT 2009 WINNEBAGO INDUSTRIES, INC.	
DFT	ORIG. DATE	ALL DIMENSIONS ARE IN MILLIMETERS	
CHKR		FIRST USED	
P.E.		09 M39N	
M.E.		UNSPECIFIED TOLERANCES ARE:	
DSNR		MATERIAL:	
		WHOLE DIM (X)	: 3
		ONE-PLACE (X.X)	: 1.5
		TWO-PLACE (X.XX)	: 0.50
		ANGLE	: 1°
THIRD ANGLE PROJECTION			
DO NOT SCALE DRAWING			
TITLE: WATER SYSTEM INSTL			
SHEET 1 OF 5	PART NO	165061	REV
REF:	1 1/16/2009		

(X-X)  
FOR  
WATER  
CALLOUTS  
SEE DWG NO  
116230-01-000

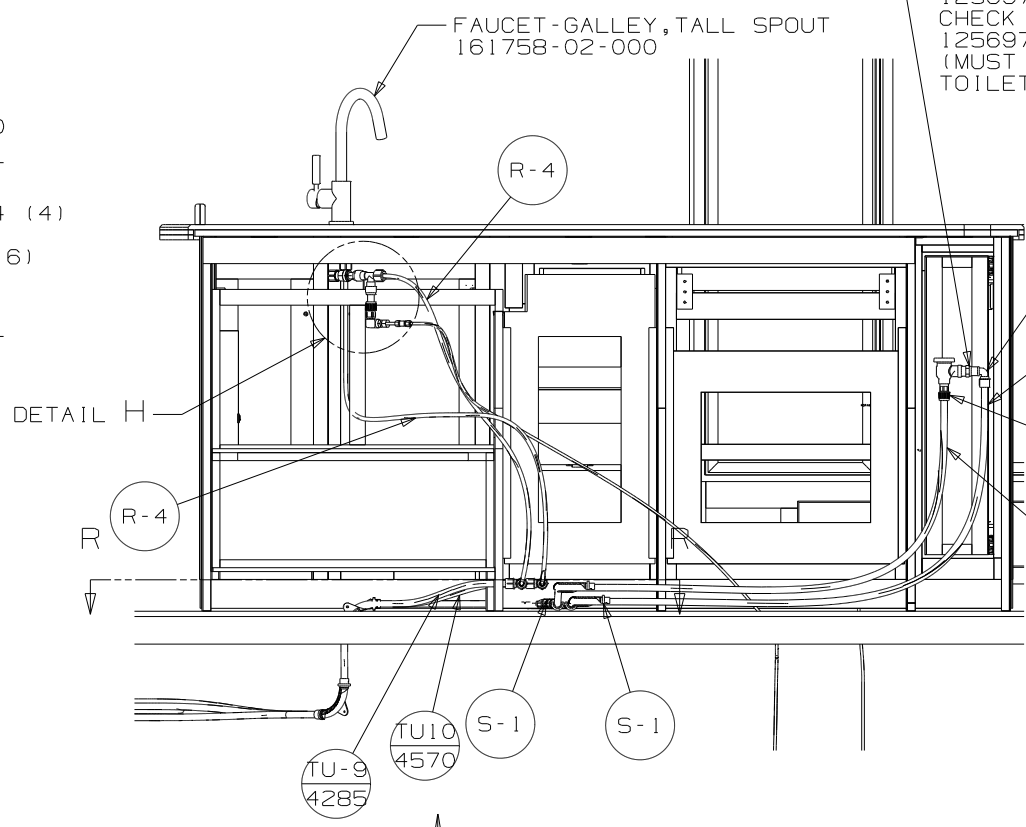
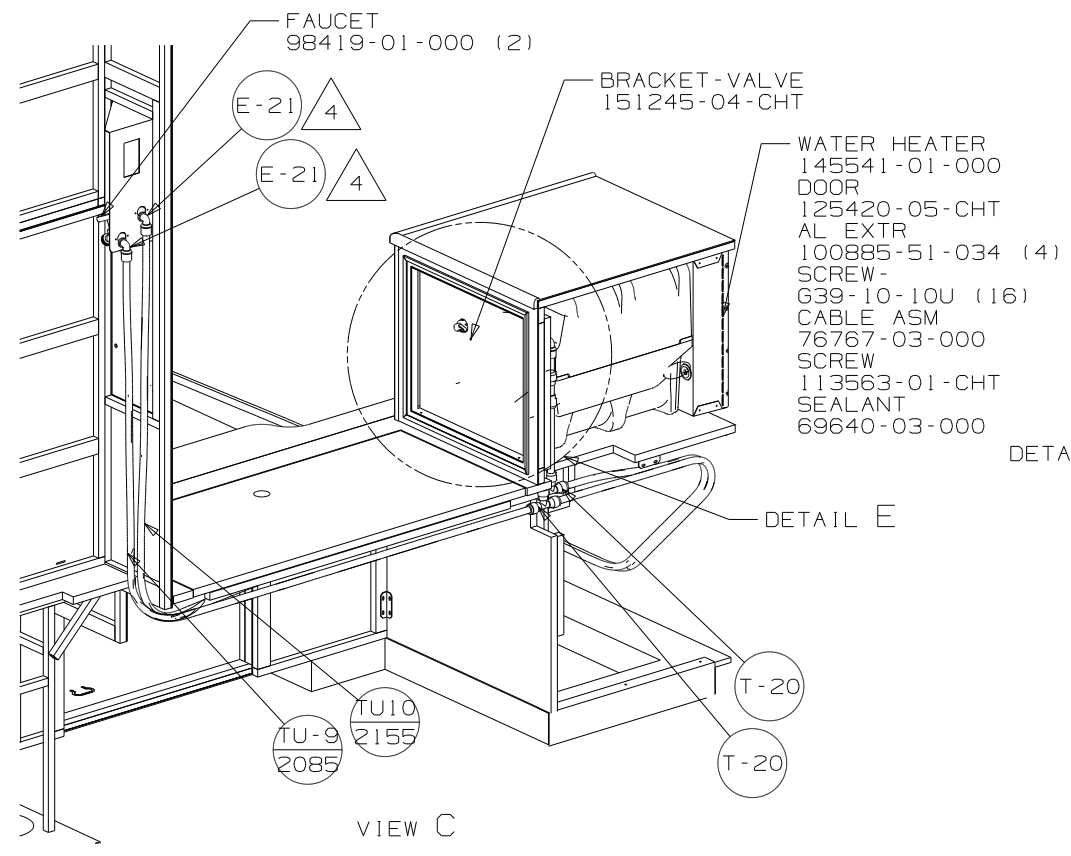


SHOWER HEAD  
129390-03-CHT

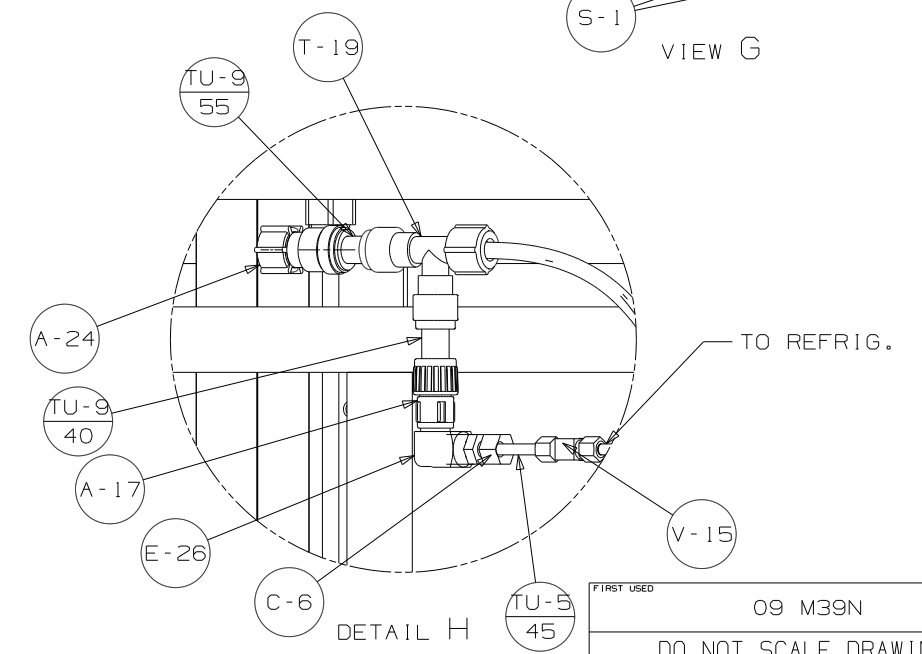
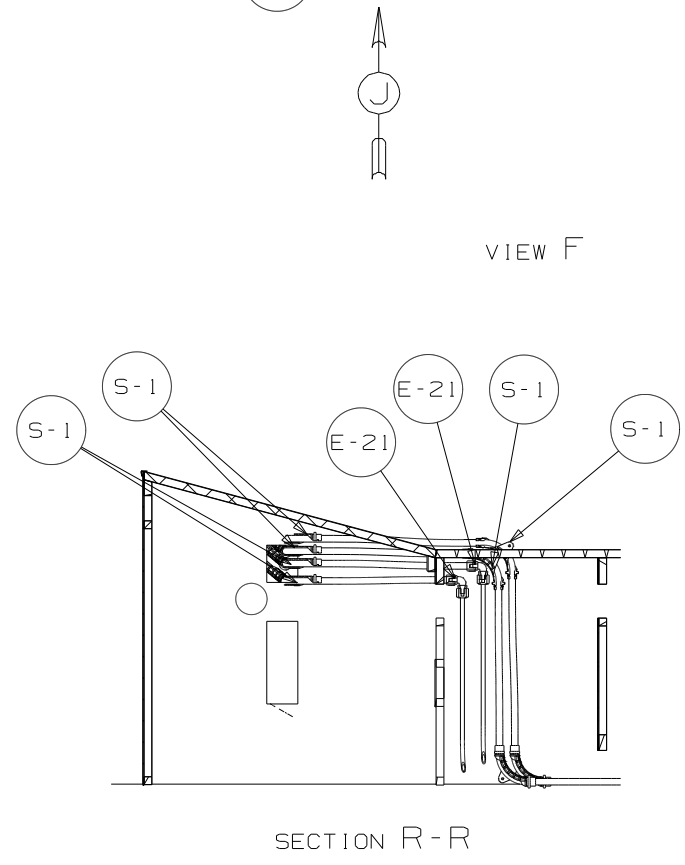
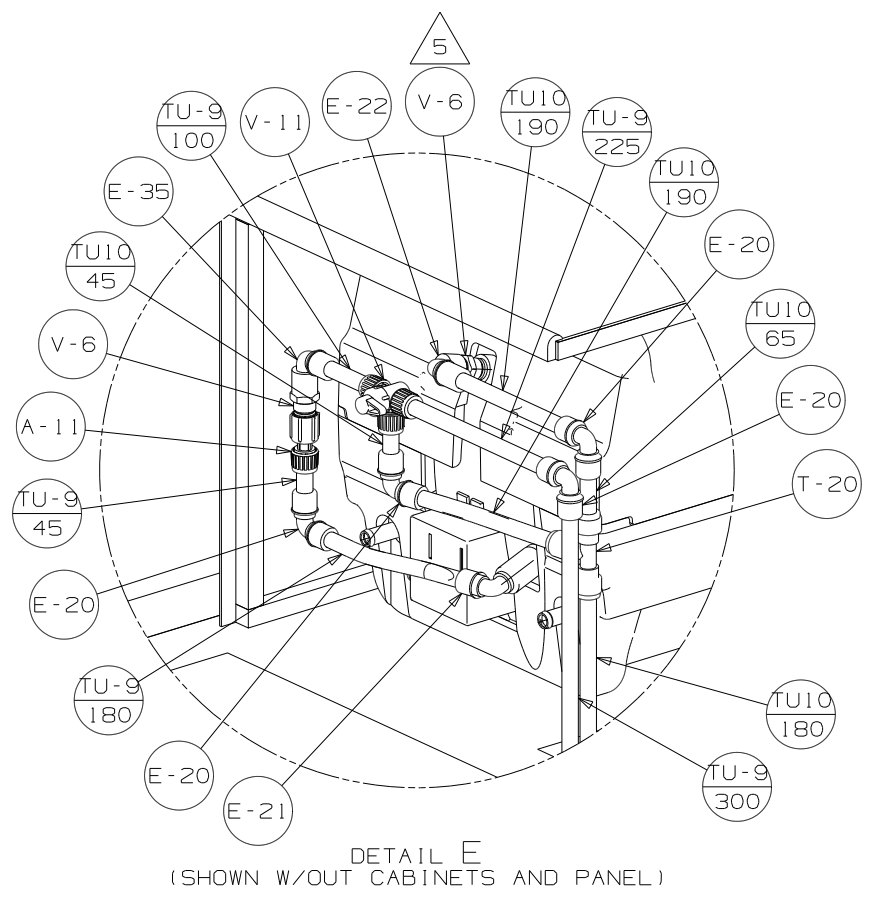
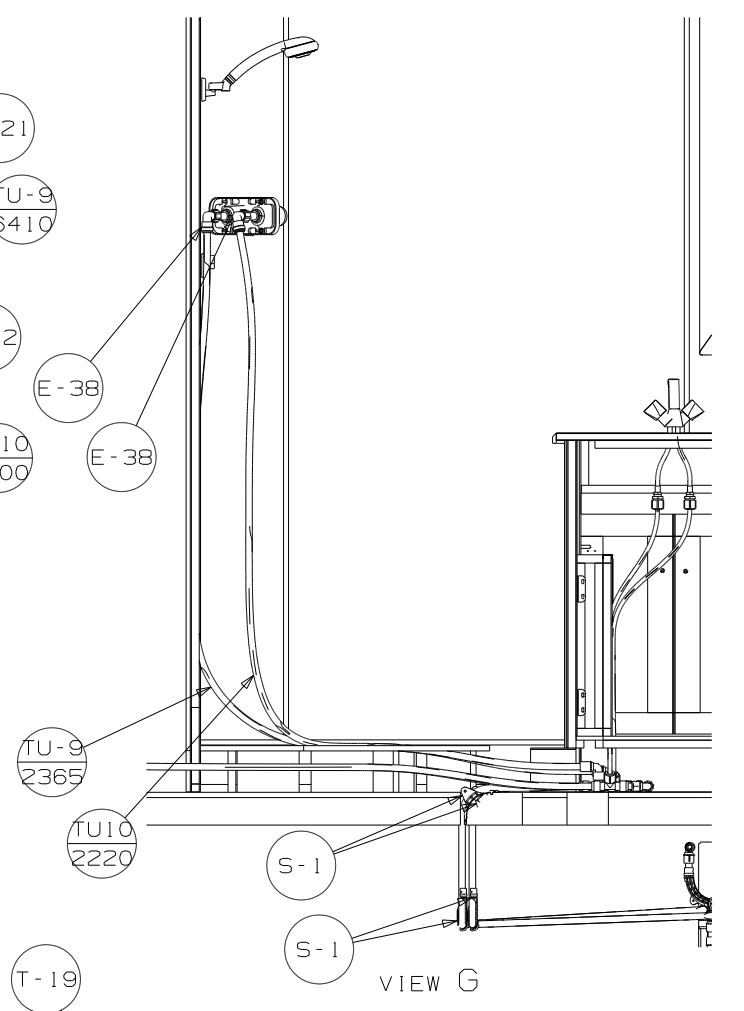
PANEL-SHOWER FAUCET  
167738-01-CHT  
SCREW  
G11-08-12U (4)  
COVER  
166569-01-CHT (4)



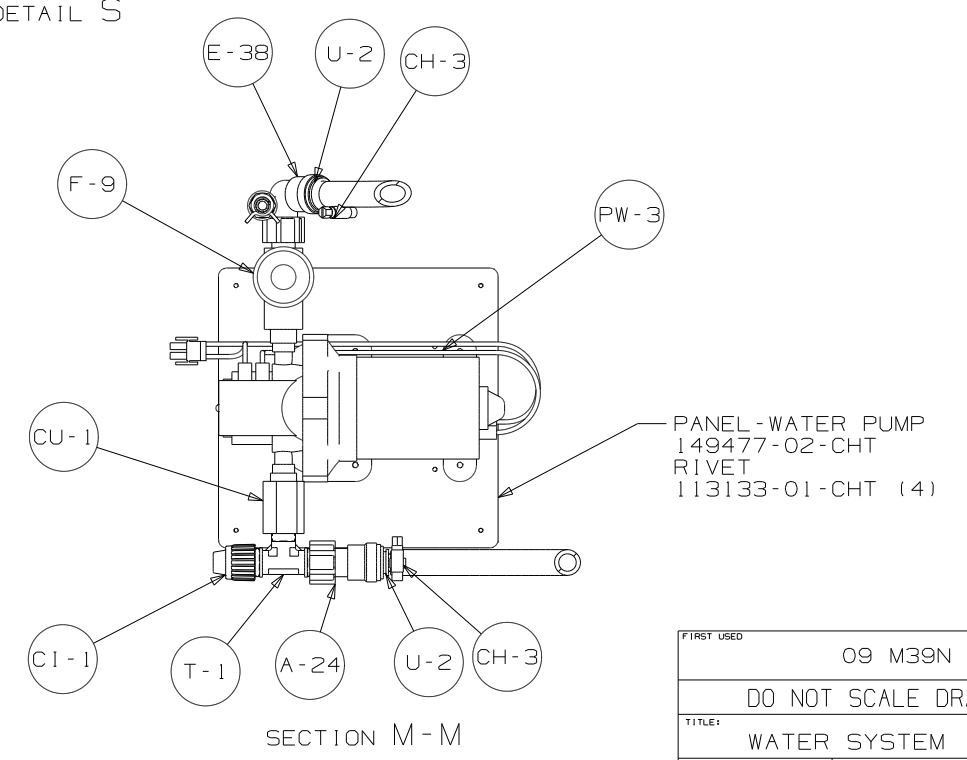
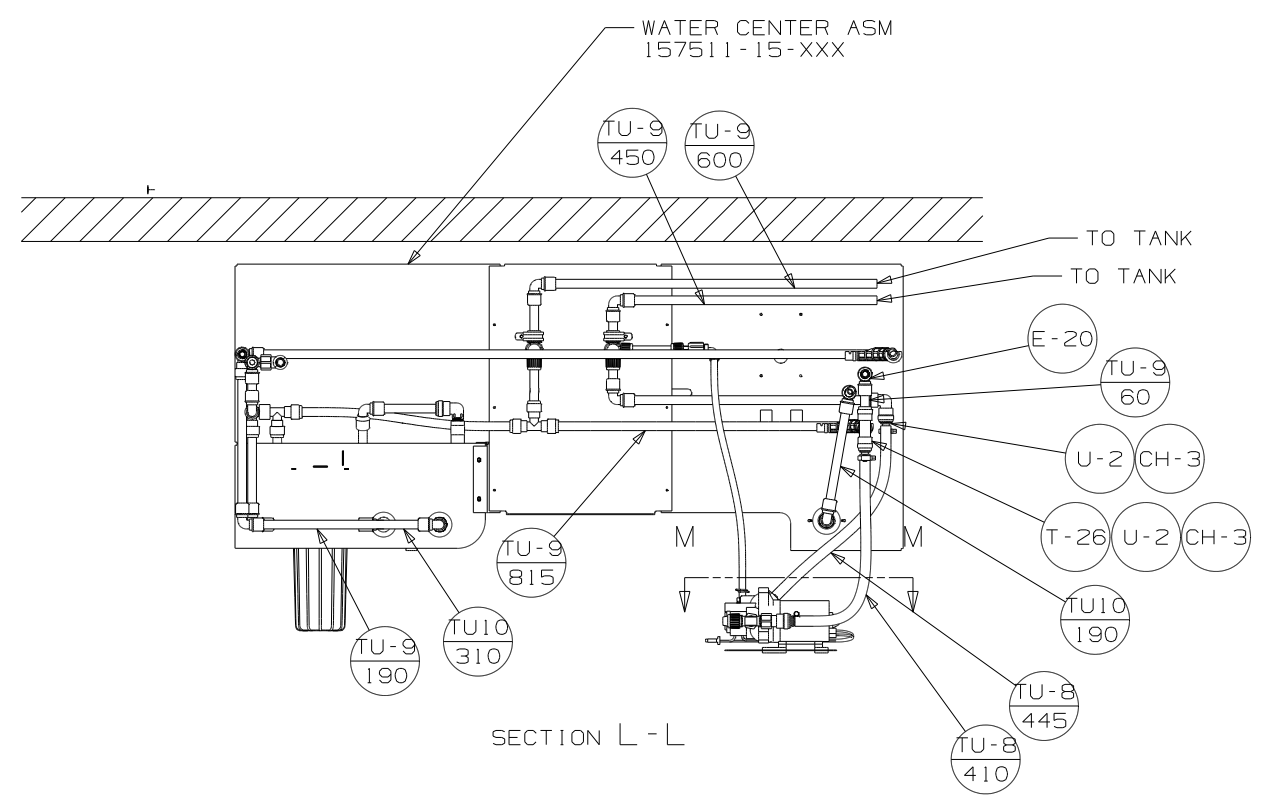
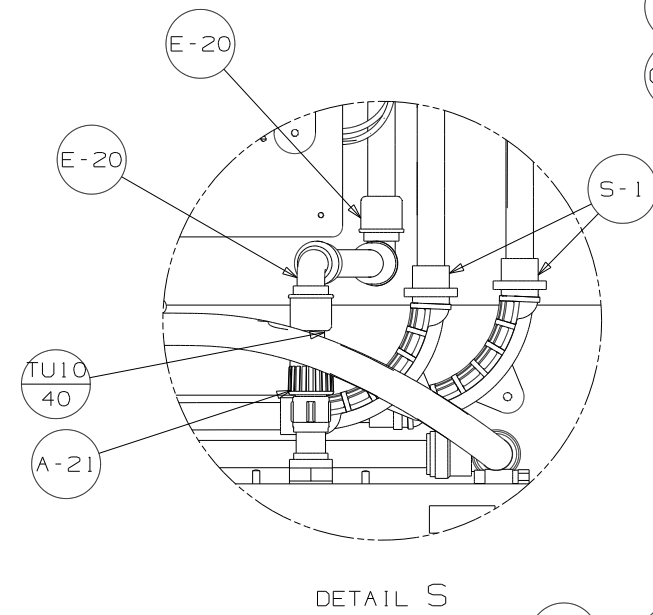
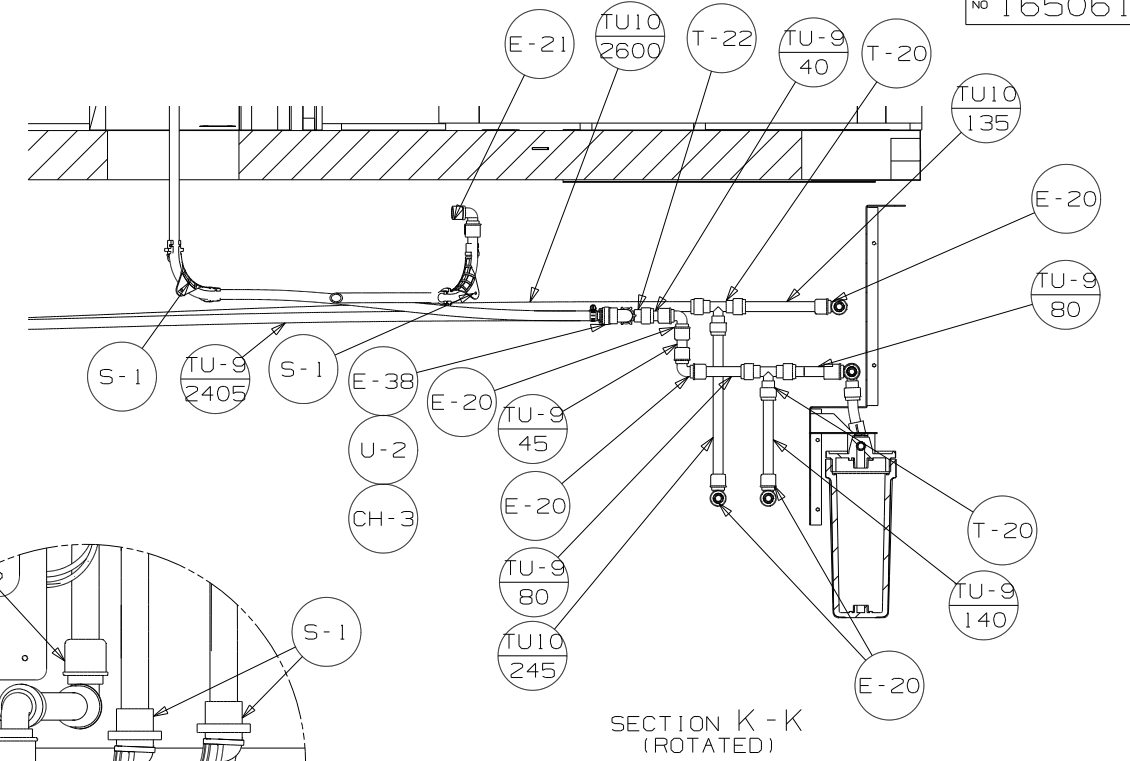
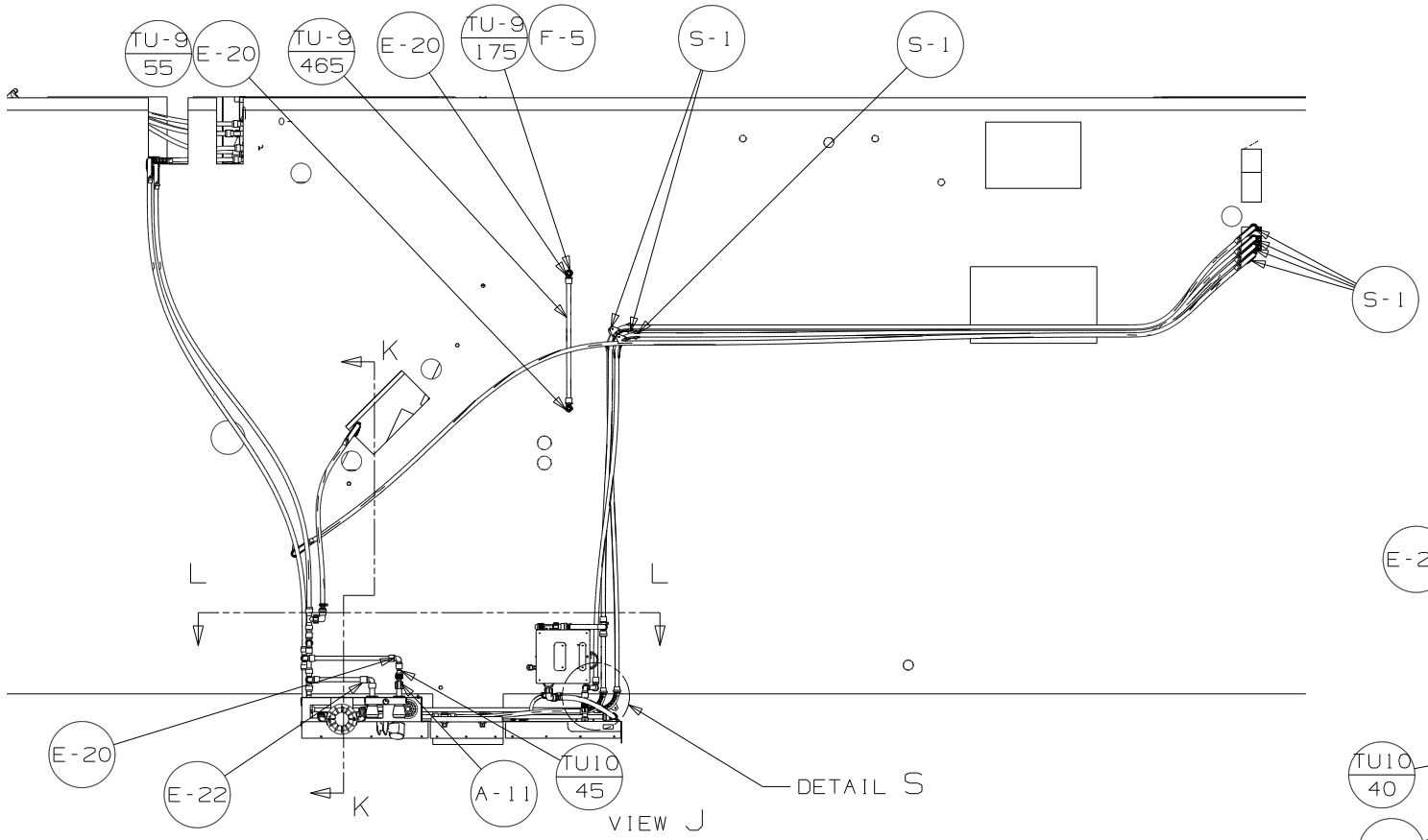
FIRST USED	09 M39N		
TITLE:	DO NOT SCALE DRAWING		
	WATER SYSTEM INSTL		
SHEET 2	PART NO	165061	REV



BREAKER-VACUUM  
125697-04-000  
CHECK VALVE  
125697-03-000  
(MUST BE MOUNTED ABOVE  
TOILET FLOOD LEVEL)

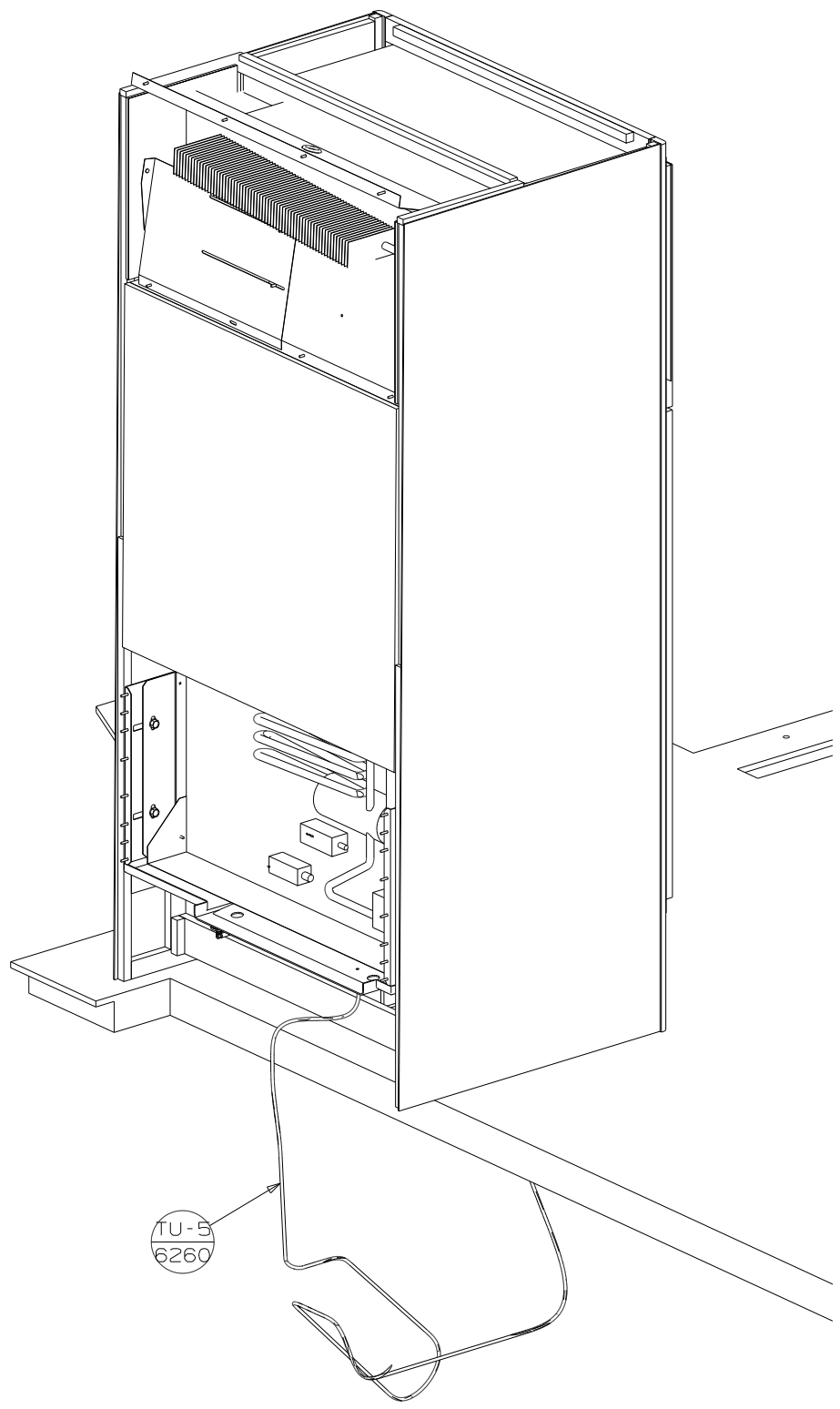


FIRST USED	09 M39N	
TITLE	DO NOT SCALE DRAWING	
TITLE	WATER SYSTEM INSTL	
SHEET 3	PART NO	165061
REV		
1 1/16/2009		



FIRST USED	09 M39N		
TITLE	DO NOT SCALE DRAWING		
TITLE	WATER SYSTEM INSTL		
SHEET 4	PART NO	165061	REV
1 1/16/2009			





TU-5  
6260

VIEW P  
(ROTATED)

FIRST USED	09 M39N		
TITLE	DO NOT SCALE DRAWING		
	WATER SYSTEM INSTL		
SHEET 5	PART NO	165061	REV