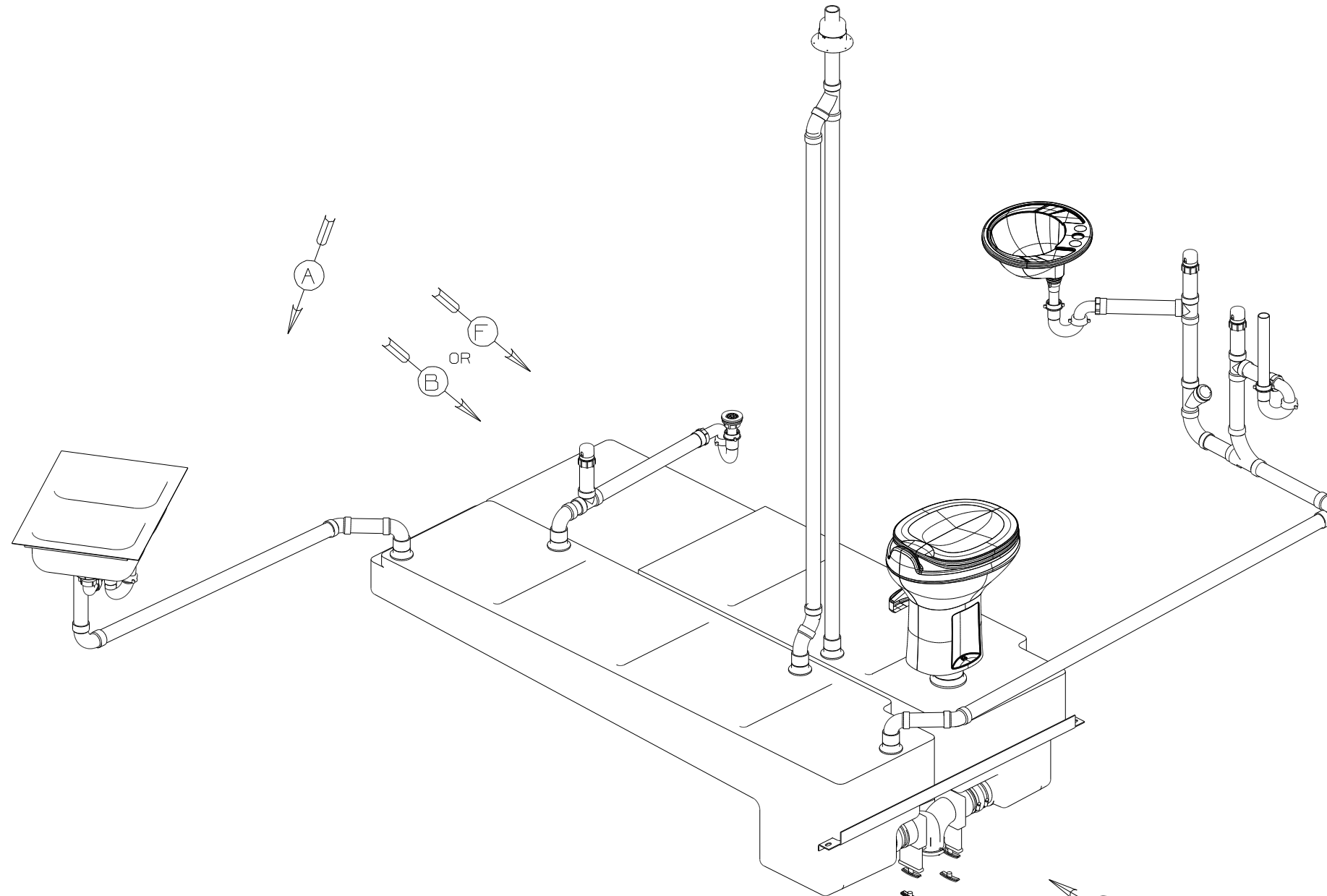


DWG NO	VIEW
167303-01	B
167303-02	F

RELEASE	REV DATE	DWG NO
A		167303
REV ZONE	REVISION RECORD	DATE



- 9. USE SMOOTH PLUMBERS PUTTY 167459-01-000 TO SEAL STRAINER(.2 PER STRAINER)
- 8. SECURE DRAINAGE PIPES TO CABINET USING WIRE TIE 108046-02-000, AND SCREW G67-10-12B AT INTERVALS OF NOT MORE THAN 4 FEET APART.
- 7. SECURE VENT PIPE TO FLOOR WITH CLAMP 62401-02-000 (2),SCREW G67-10-12B (2), BRACKET 136878-01-CHT (2).
- 6. VENT PIPE MUST PROJECT 51 MIN AND 64 MAX ABOVE ROOF FOR PROPER FIT AND FUNCTION.
- 5. SEAL AROUND SHOWER WITH SILICONE.
- 4. SINK ATTACHMENT HARDWARE IS INCLUDED WITH SINK.
- 3. ALL PIPE AND FITTINGS TO BE ASSEMBLED WITH SOLVENT 4020-01-000 (USA), 4020-02-000 (CAN)
- 2. SLOPE OF TRAP ARM MUST BE 6 PER 305 mm.
- 1. SLOPE OF HORIZONTAL PIPING TO BE MINIMUM OF 3 PER 305 mm.

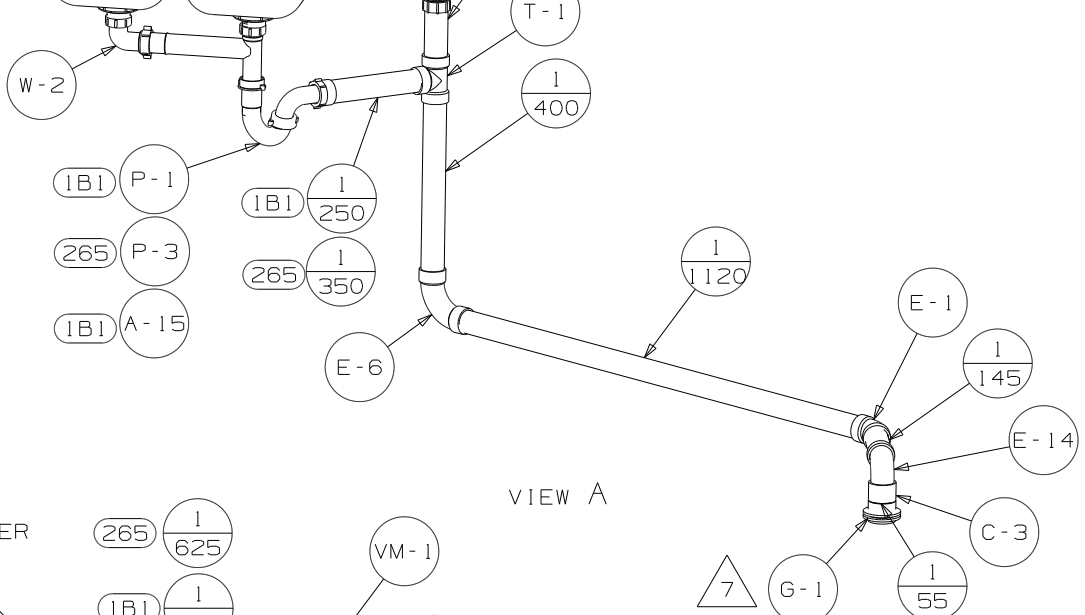
- (54E) WASHER/DRYER
- (21M) WASHER/DRYER PREP

WINNEBAGO		COPYRIGHT 2008 WINNEBAGO INDUSTRIES, INC.	
DFT	ORIG. DATE	ALL DIMENSIONS ARE IN MILLIMETERS	
CHKR		FIRST USED	
P.E.		09 M37G	
M.E.		UNSPECIFIED TOLERANCES ARE:	
DSNR		MATERIAL:	
		WHOLE DIM (X)	: 3
		ONE-PLACE (X.X)	: 1.5
		TWO-PLACE (X.XX)	: 0.50
		ANGLE	: 1°
		THIRD ANGLE PROJECTION	
DO NOT SCALE DRAWING			
TITLE: DRAINAGE SYSTEM INSTL			
SHEET 1 OF 3	PART NO	167303	REV

(X-X)
FOR
DRAINAGE
CALLOUTS
SEE DWG NO
116229-01-000

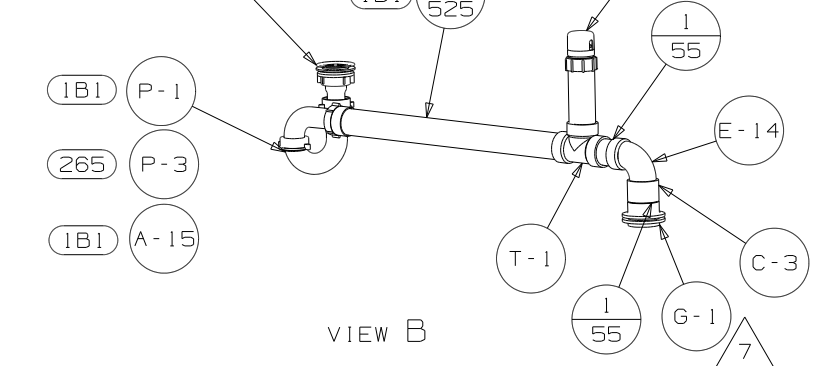
NOTES:

SINK - GALLEY, DBL
 104113-01-CHT
 STRAINER
 92303-01-000 (2)
 SEAL
 91255-02-000 (A/R)
 ANGLE
 140002-01-CHT (10)



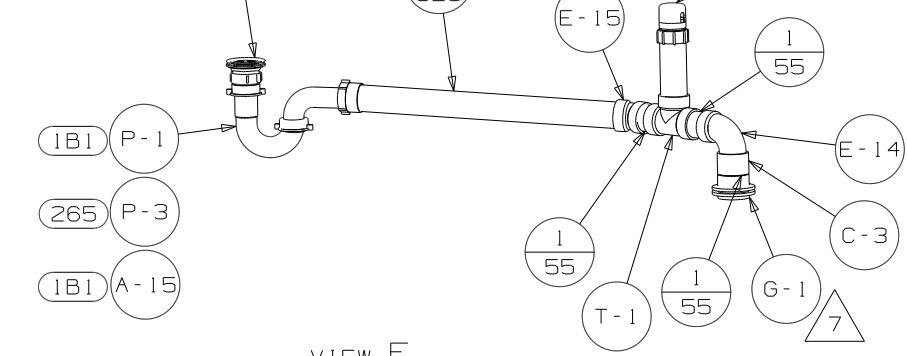
VIEW A

SHOWER INSTL
 166788-07-000
 GASKET-FOAM
 132376-01-CHT
 NUT-SLIP
 130403-01-000
 STRAINER W/WASHER
 66440-01-000
 TAILPIECE
 11069-06-000



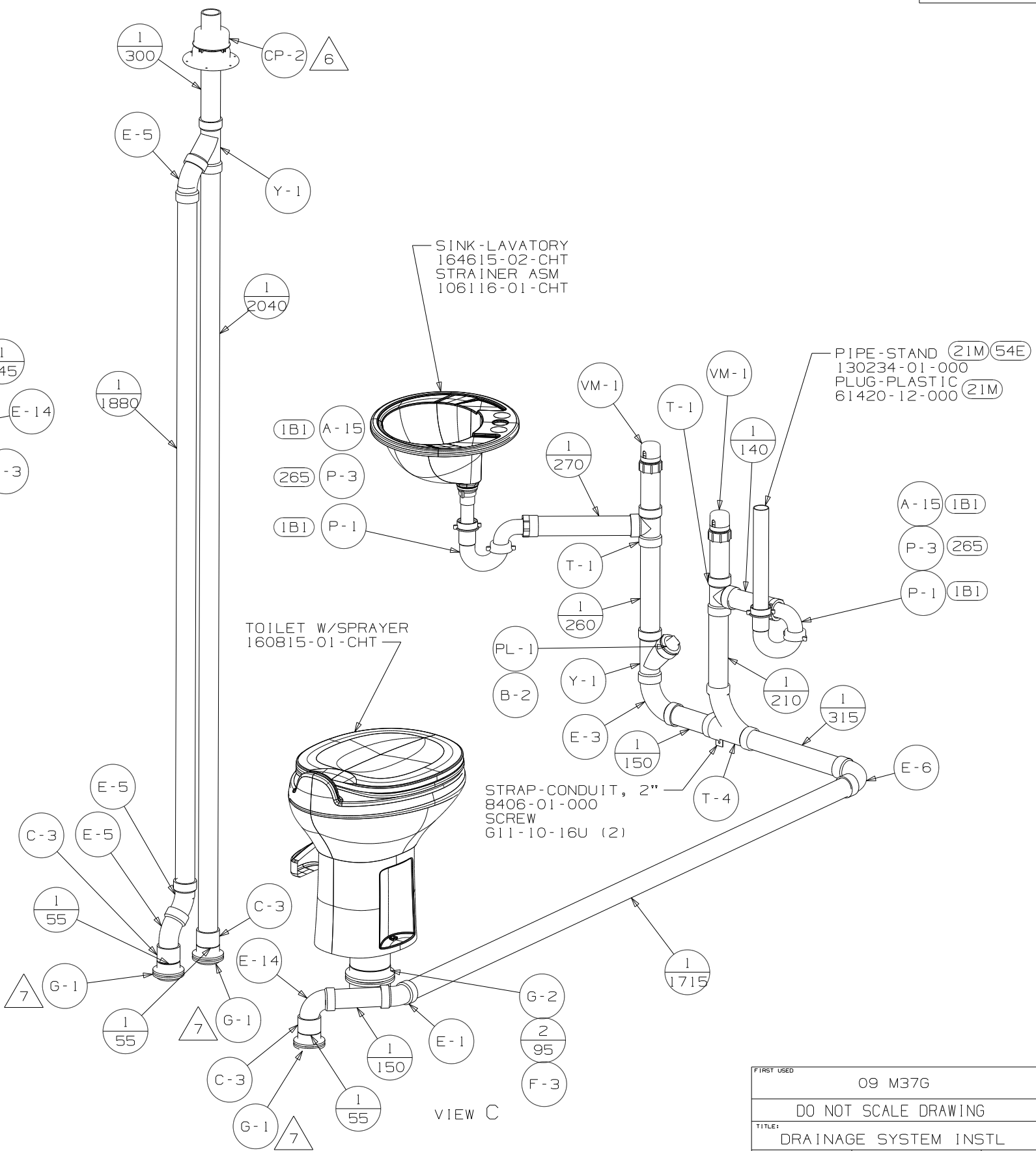
VIEW B

SHOWER INSTL
 147868-04-000
 GASKET-FOAM
 132376-01-CHT
 NUT-SLIP
 130403-01-000
 STRAINER W/WASHER
 66440-01-000
 TAILPIECE
 11069-06-000



VIEW F

CP-2
 6



SINK-LAVATORY
 164615-02-CHT
 STRAINER ASM
 106116-01-CHT

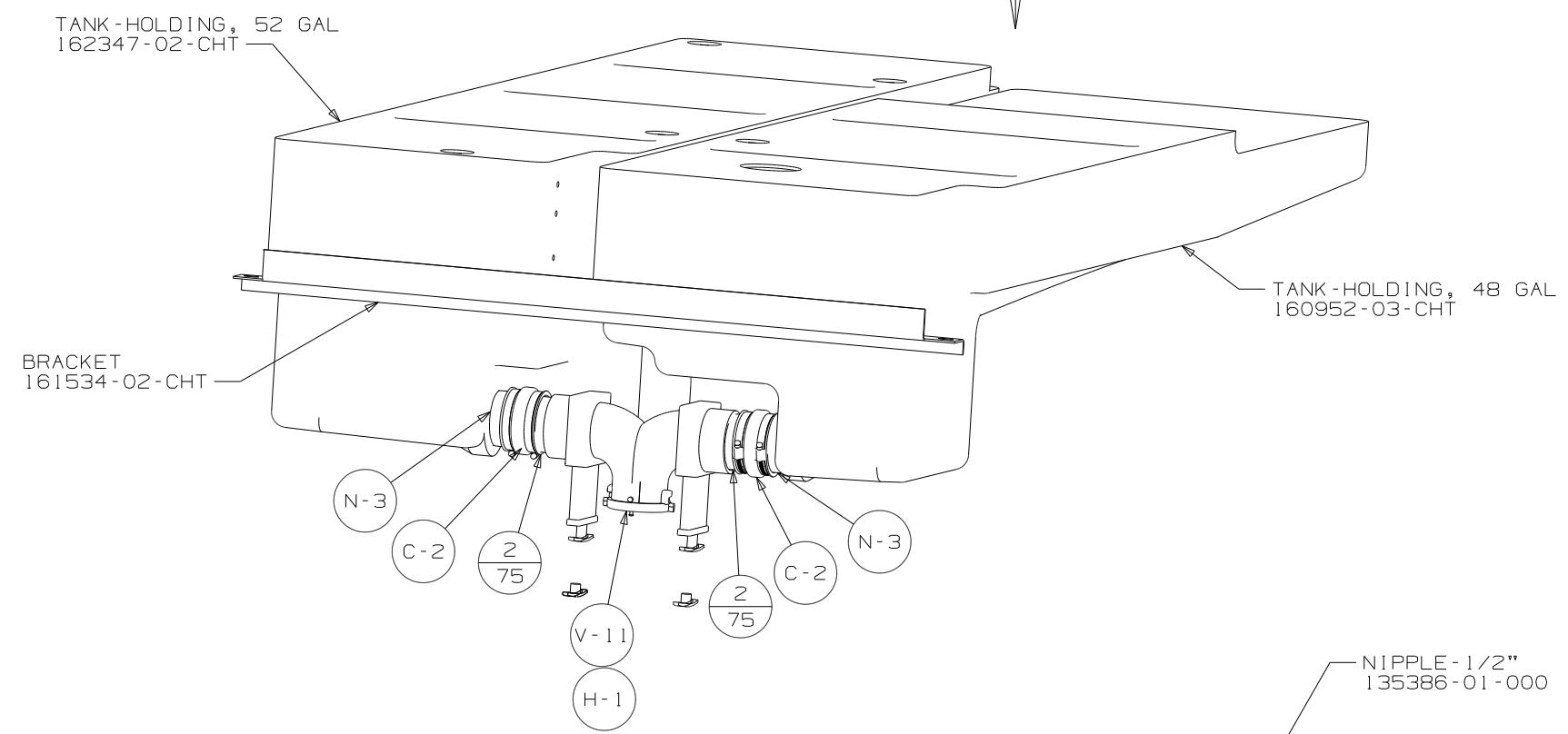
PIPE-STAND
 130234-01-000
 PLUG-PLASTIC
 61420-12-000

TOILET W/SPRAYER
 160815-01-CHT

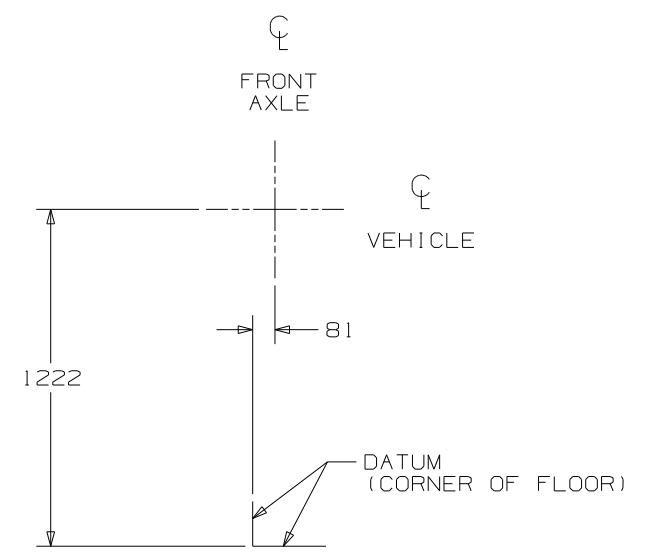
STRAP-CONDUIT, 2"
 8406-01-000
 SCREW
 G11-10-16U (2)

VIEW C

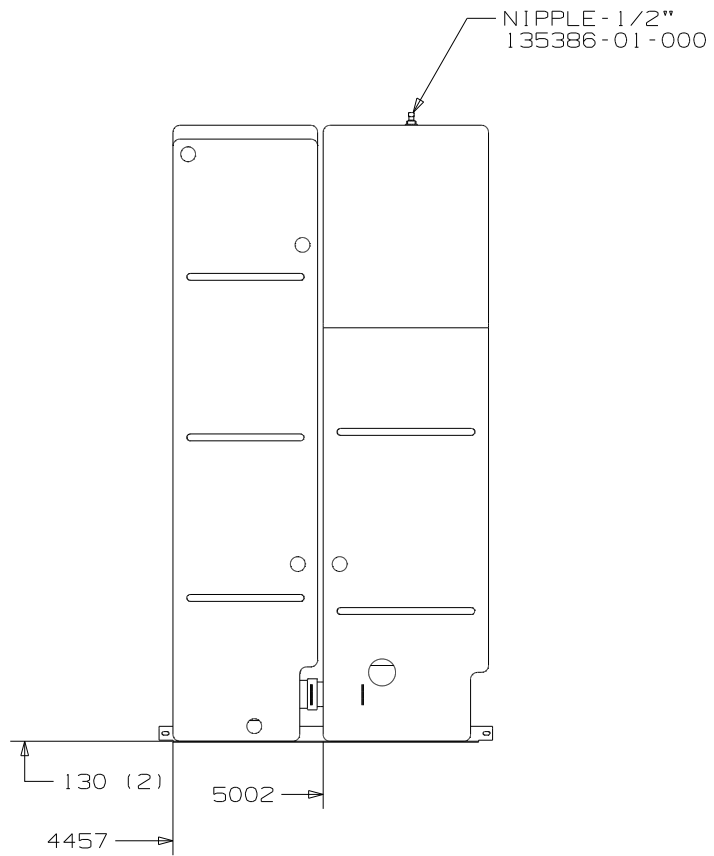
FIRST USED	09 M37G	
TITLE	DO NOT SCALE DRAWING	
	DRAINAGE SYSTEM INSTL	
SHEET 2	PART NO 167303	REV



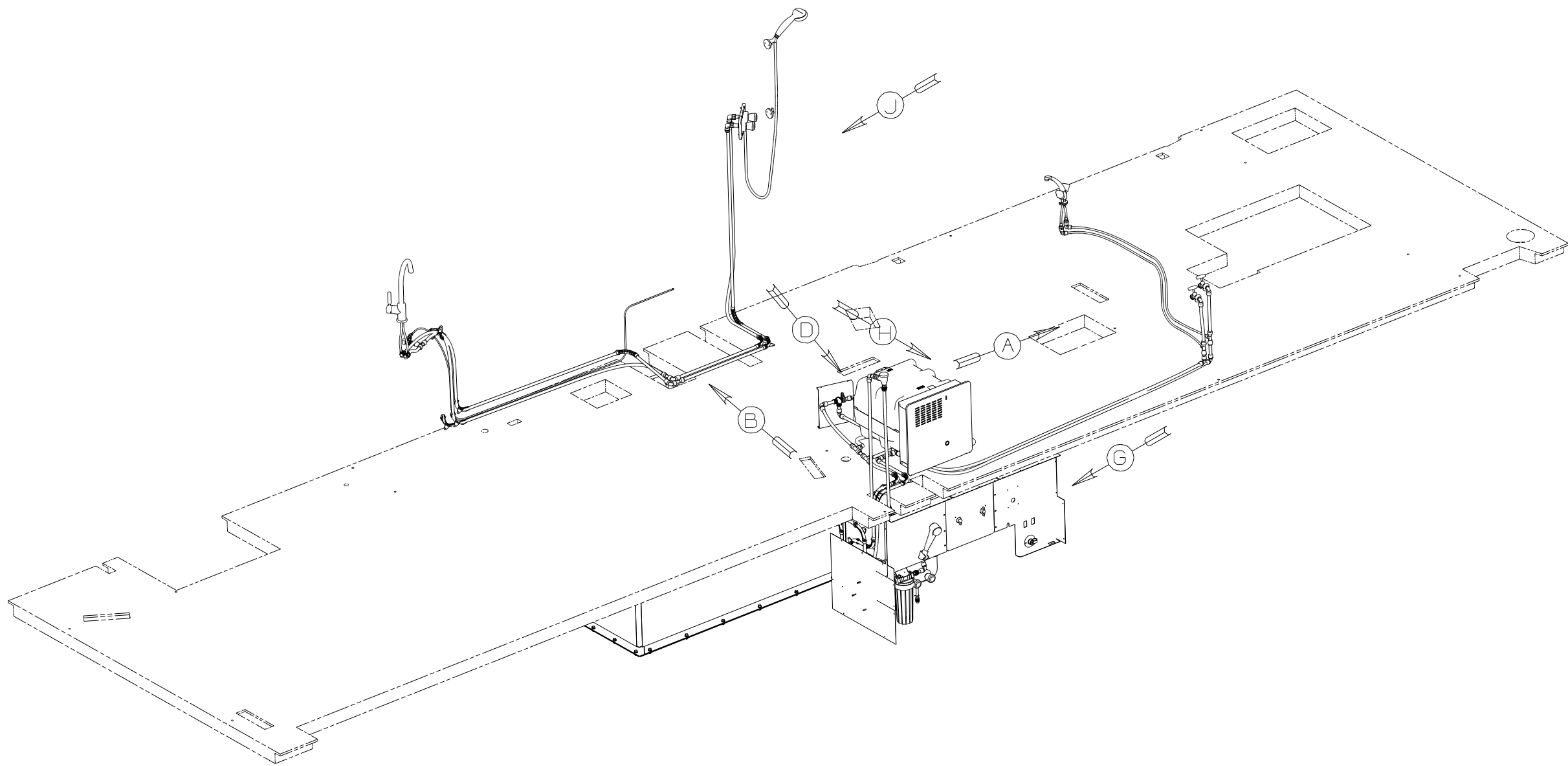
VIEW D



VIEW E



FIRST USED	09 M37G		
TITLE	DO NOT SCALE DRAWING		
	DRAINAGE SYSTEM INSTL		
SHEET 3	PART NO	167303	REV



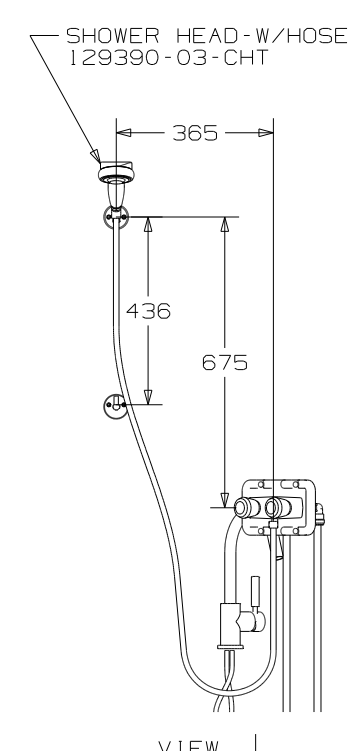
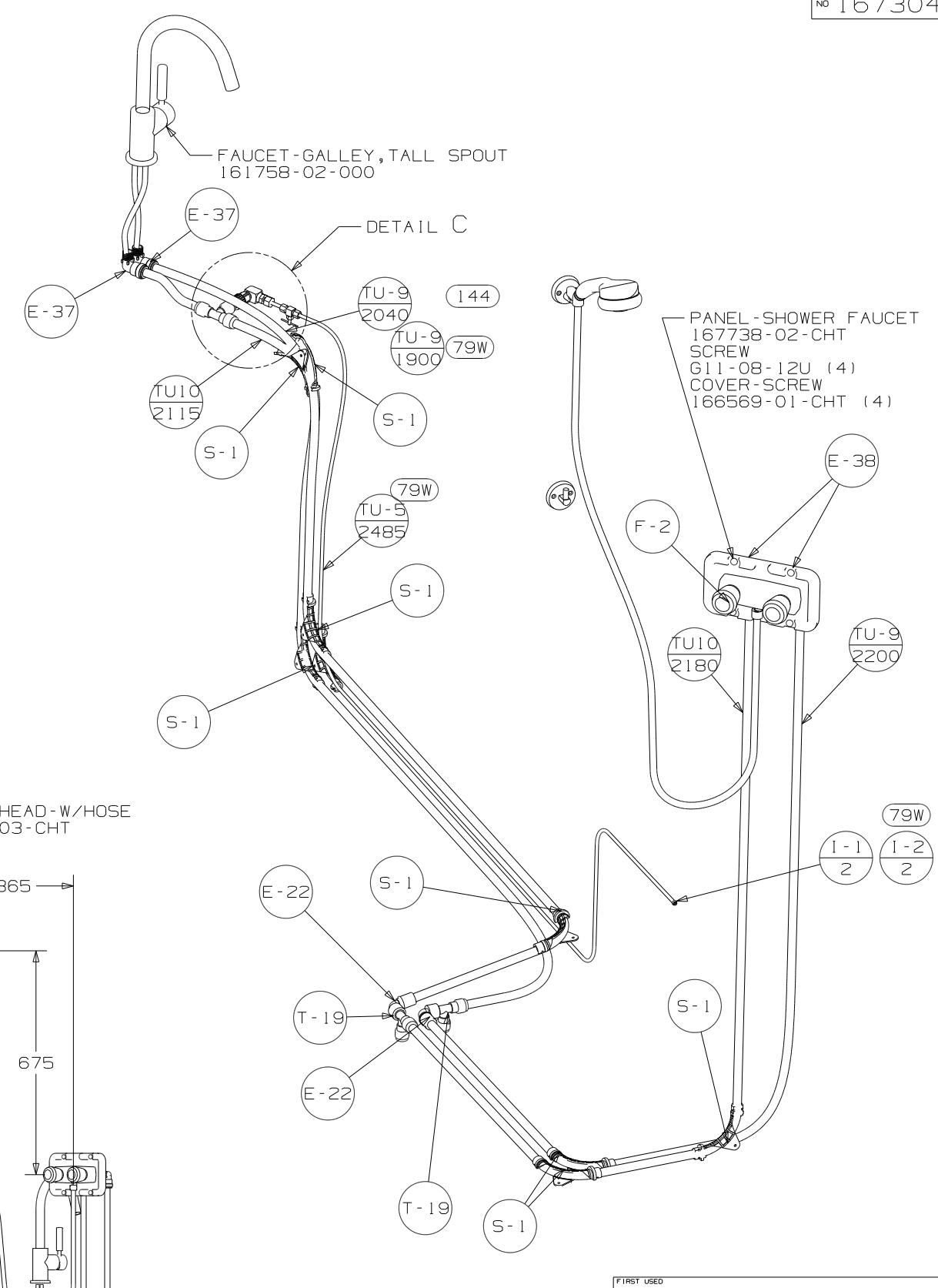
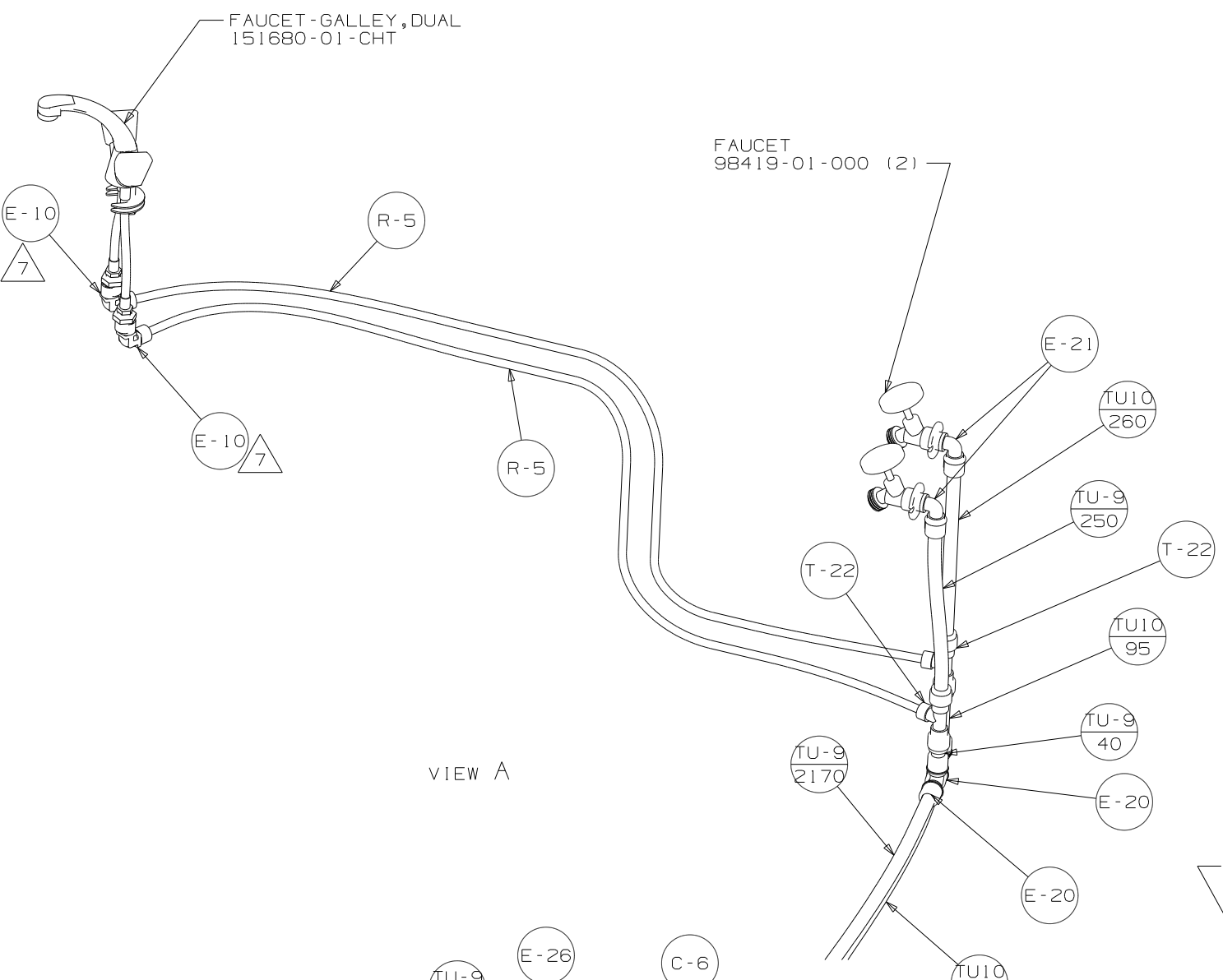
- (144) REFRIGERATOR-LG DBL DOOR
- (79W) REFRIGERATOR-4 DOOR W/ICEMAKER

- △7 ADD PIPE WRAP (LADDER SCRAP 110157-02-000) INSULATION.
 - △6 ADD TEFLON TAPE 10405-03-000.
 - △5 ADD TEFLON TAPE 10405-02-000.
 - △4 ADD TEFLON TAPE 10405-01-000.
3. ALL TUBING TO BE SECURED AT 1200 INTERVALS MAXIMUM WITH CLAMP 10495-01-000 AND SCREW G67-10-12B OR EQUIVALENT.
 2. TUBING TO BE INSTALLED WITH SUFFICIENT SLOPE TO PROVIDE DRAINAGE TO NEAREST VALVE.
 1. PLASTIC FITTINGS TO BE SEALED WITH SEALANT 84456-01-000.

NOTES:

WINNEBAGO		COPYRIGHT 2009 WINNEBAGO INDUSTRIES, INC.	
D/FR	ORIG. DATE	ALL DIMENSIONS ARE IN MILLIMETERS	
CHKR		FIRST USED	
P.E.		09 M37G	
M.E.		UNSPECIFIED TOLERANCES ARE:	
DSNR		MATERIAL:	
		WHOLE DIM (X)	: 3
		ONE-PLACE (X.X)	: 1.5
		TWO-PLACE (X.XX)	: 0.50
		ANGLE	: 1°
THIRD ANGLE PROJECTION		DO NOT SCALE DRAWING	
TITLE: WATER SYSTEM INSTL			
SHEET 1 OF 5	PART NO	167304	REV
REF:	1 2/13/2009		

X-X
 FOR
 WATER
 CALLOUTS
 SEE DWG NO
 116230-01-000

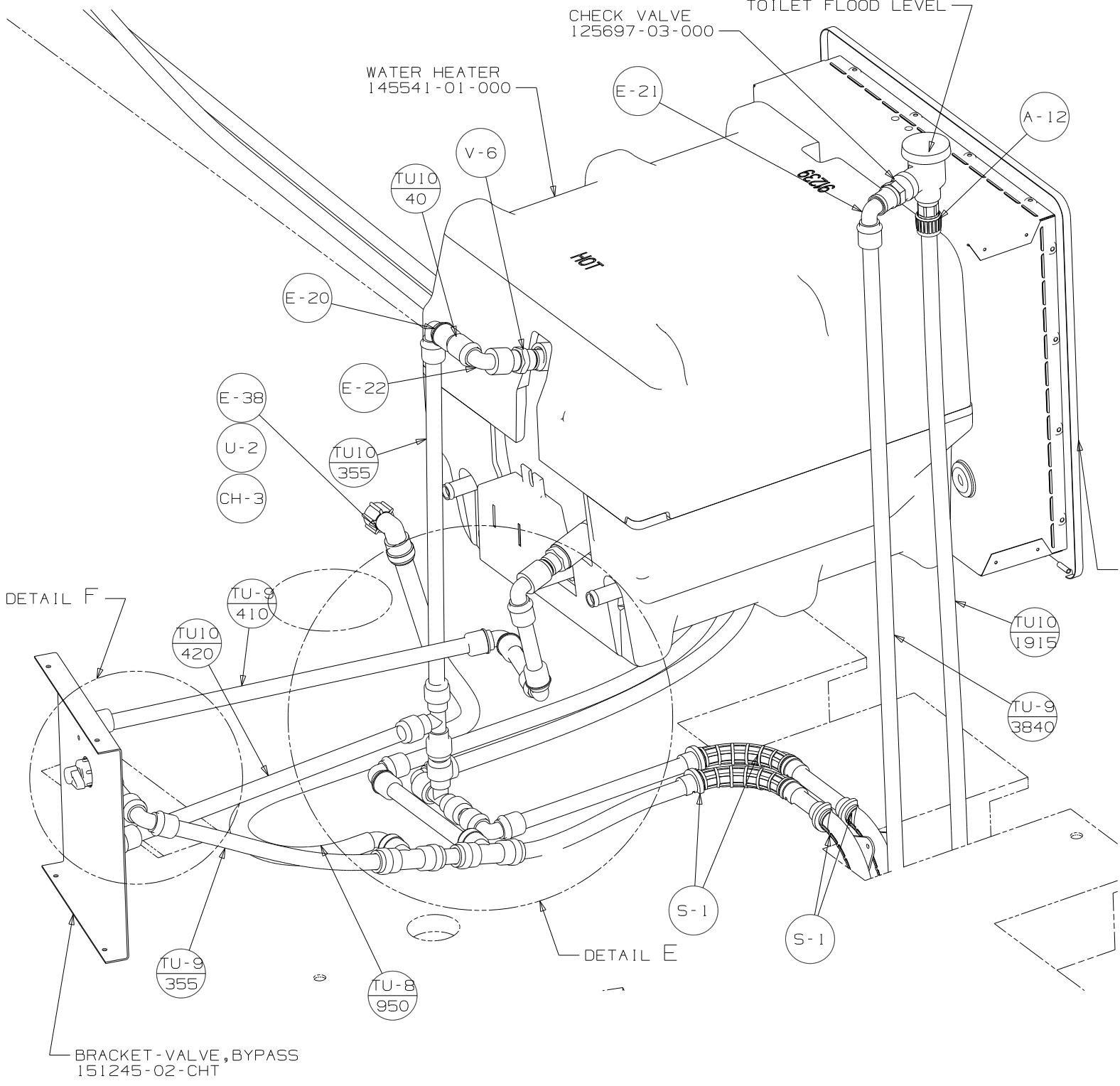


FIRST USED	09 M37G	
TITLE:	DO NOT SCALE DRAWING	
SHEET 2	PART NO	167304
	REV	
	1 2/13/2009	

BREAKER-VACUUM
125697-04-000
MUST BE MOUNTED ABOVE
TOILET FLOOD LEVEL

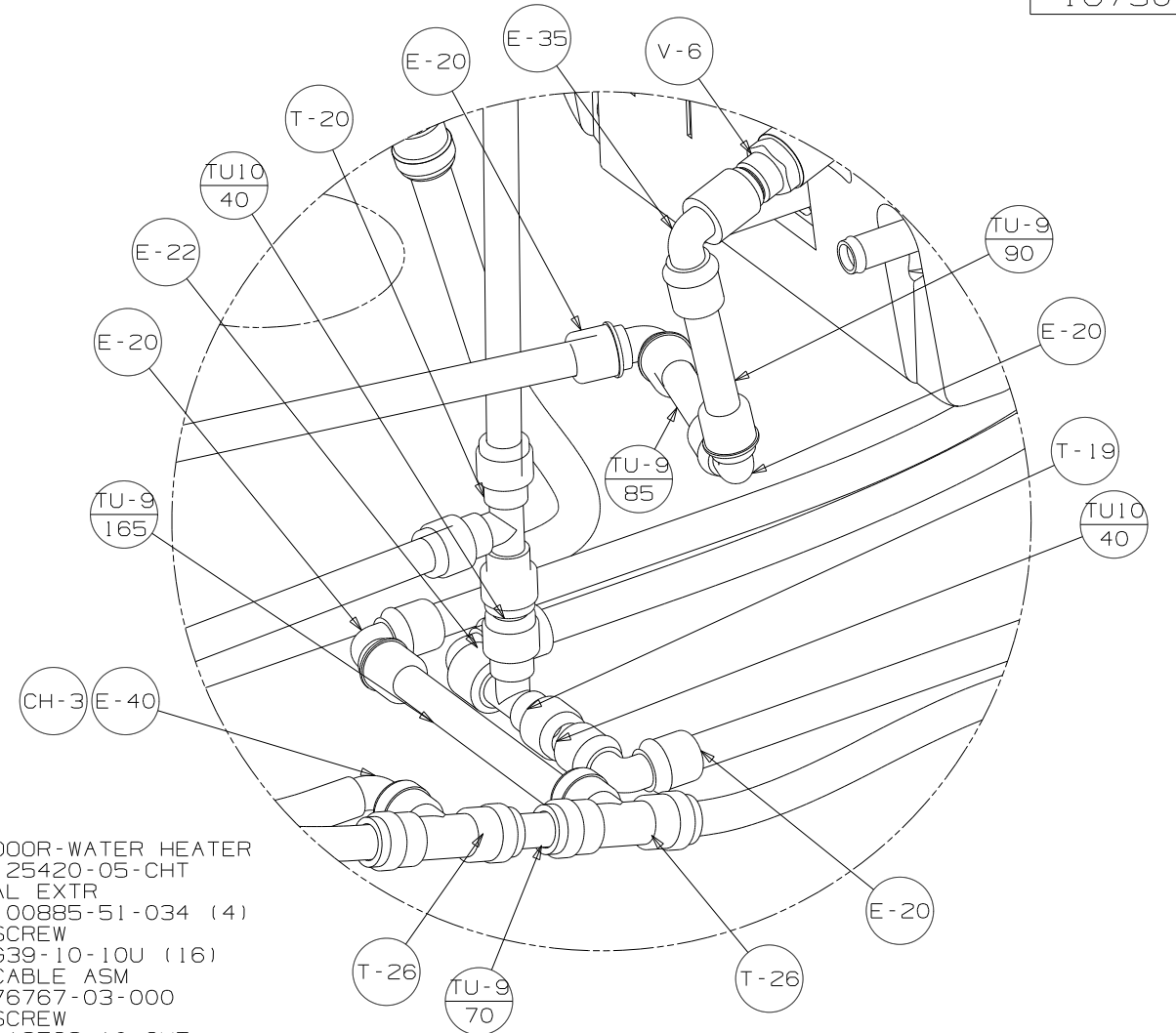
CHECK VALVE
125697-03-000

WATER HEATER
145541-01-000

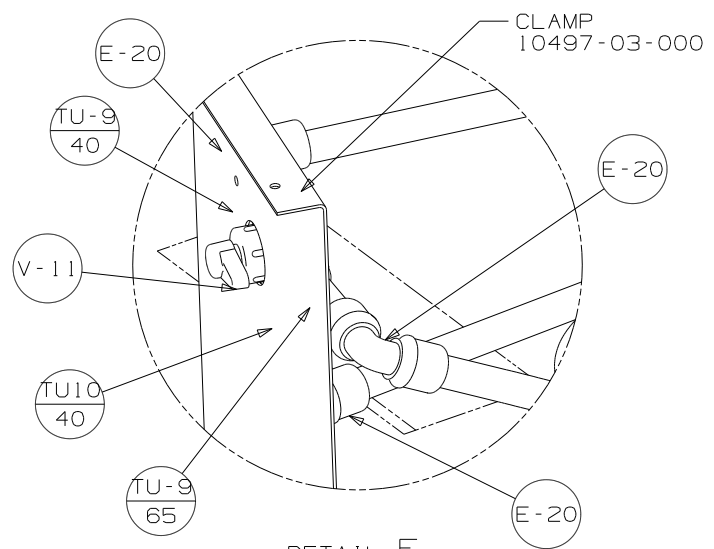


VIEW D

DOOR-WATER HEATER
125420-05-CHT
AL EXTR
100885-51-034 (4)
SCREW
G39-10-10U (16)
CABLE ASM
76767-03-000
SCREW
113563-10-CHT
SEALANT
69640-03-000

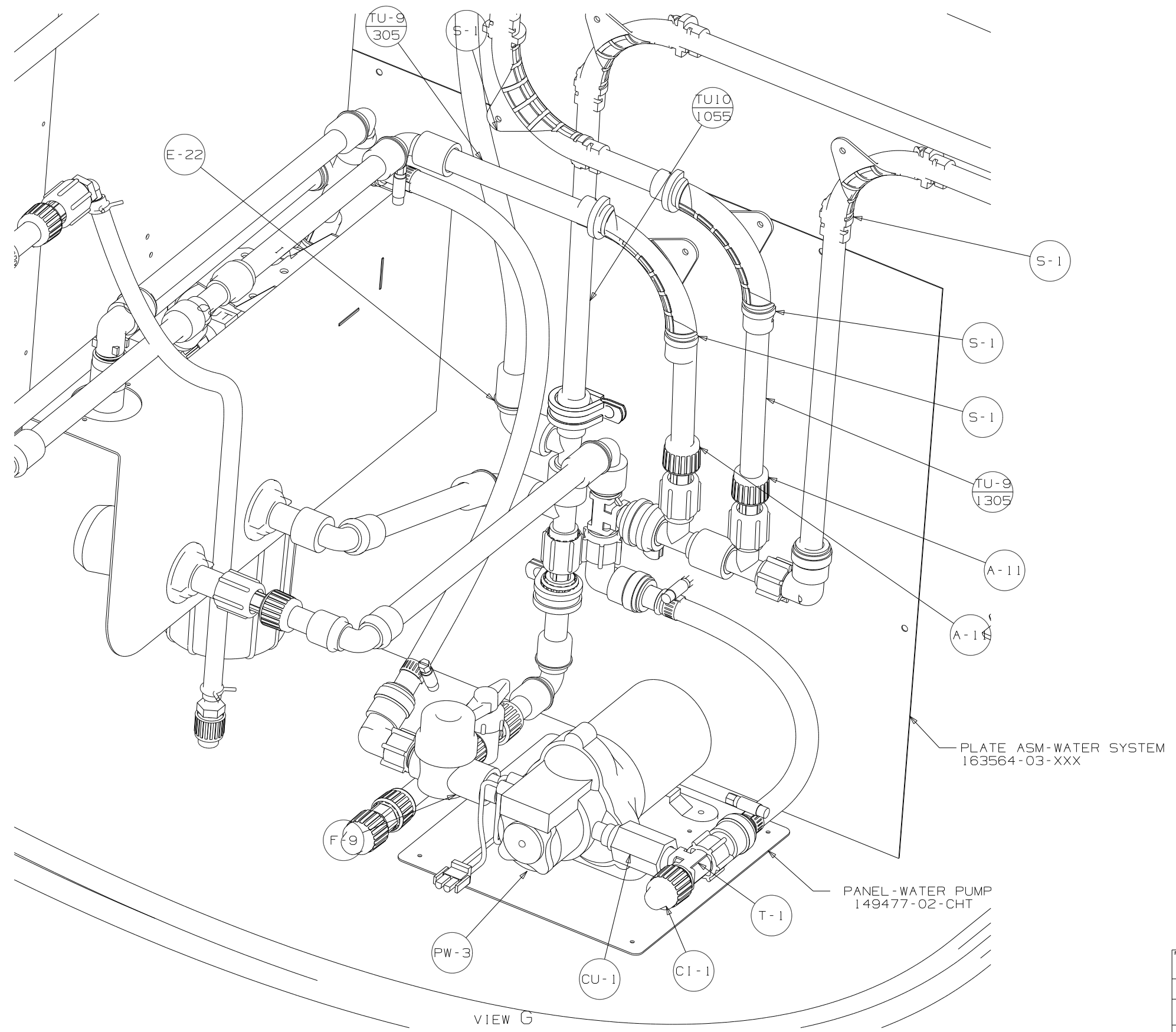


DETAIL E



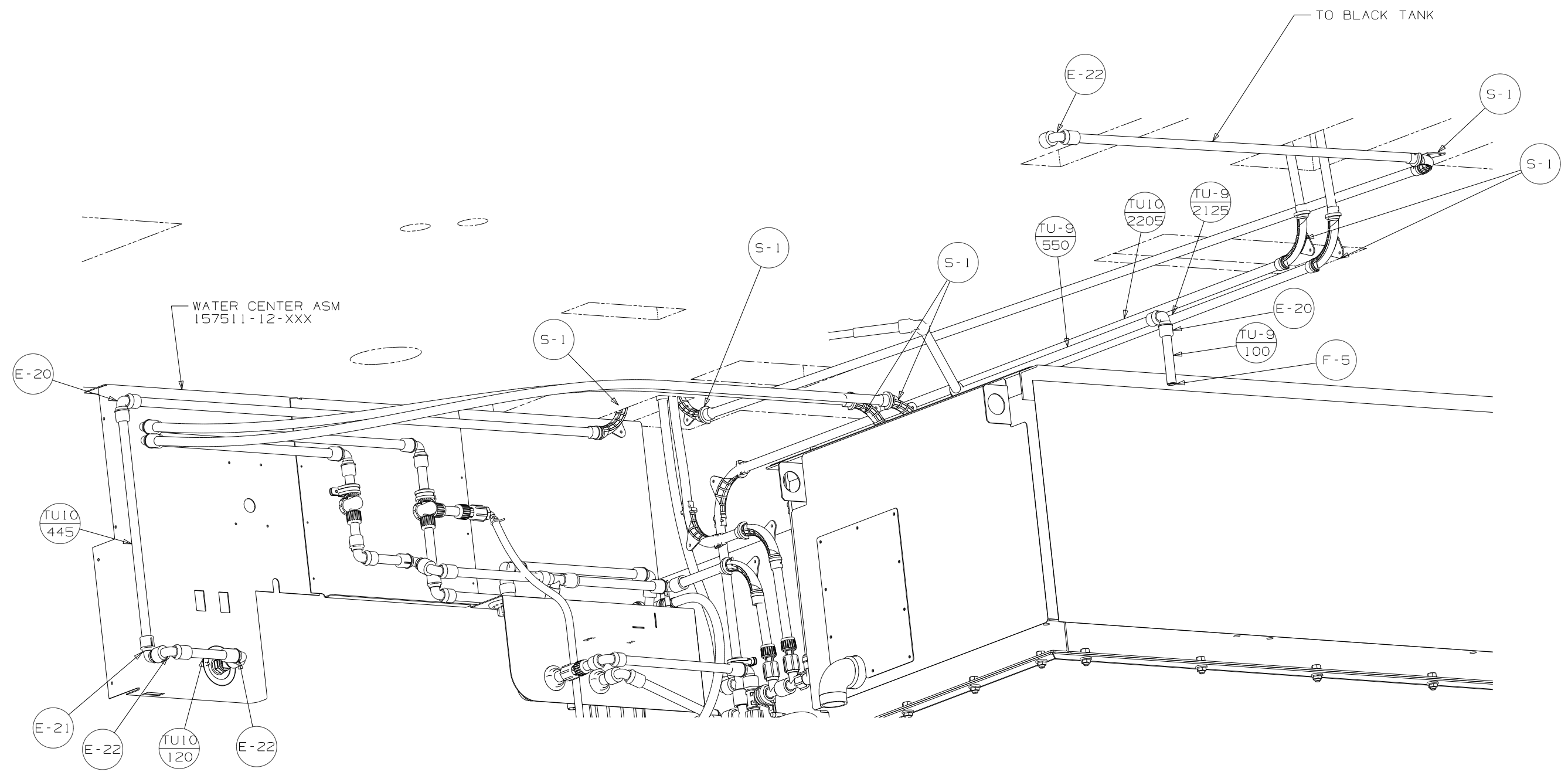
DETAIL F
(BRACKET REMOVED
TO SHOW FITTINGS)

FIRST USED	09 M37G
TITLE:	DO NOT SCALE DRAWING
SHEET 3	PART NO 167304
	REV



VIEW G

FIRST USED	09 M37G
DO NOT SCALE DRAWING	
TITLE	WATER SYSTEM INSTL
SHEET 4	PART NO 167304 REV



VIEW H

FIRST USED	09 M37G		
TITLE	DO NOT SCALE DRAWING		
	WATER SYSTEM INSTL		
SHEET 5	PART NO	167304	REV