

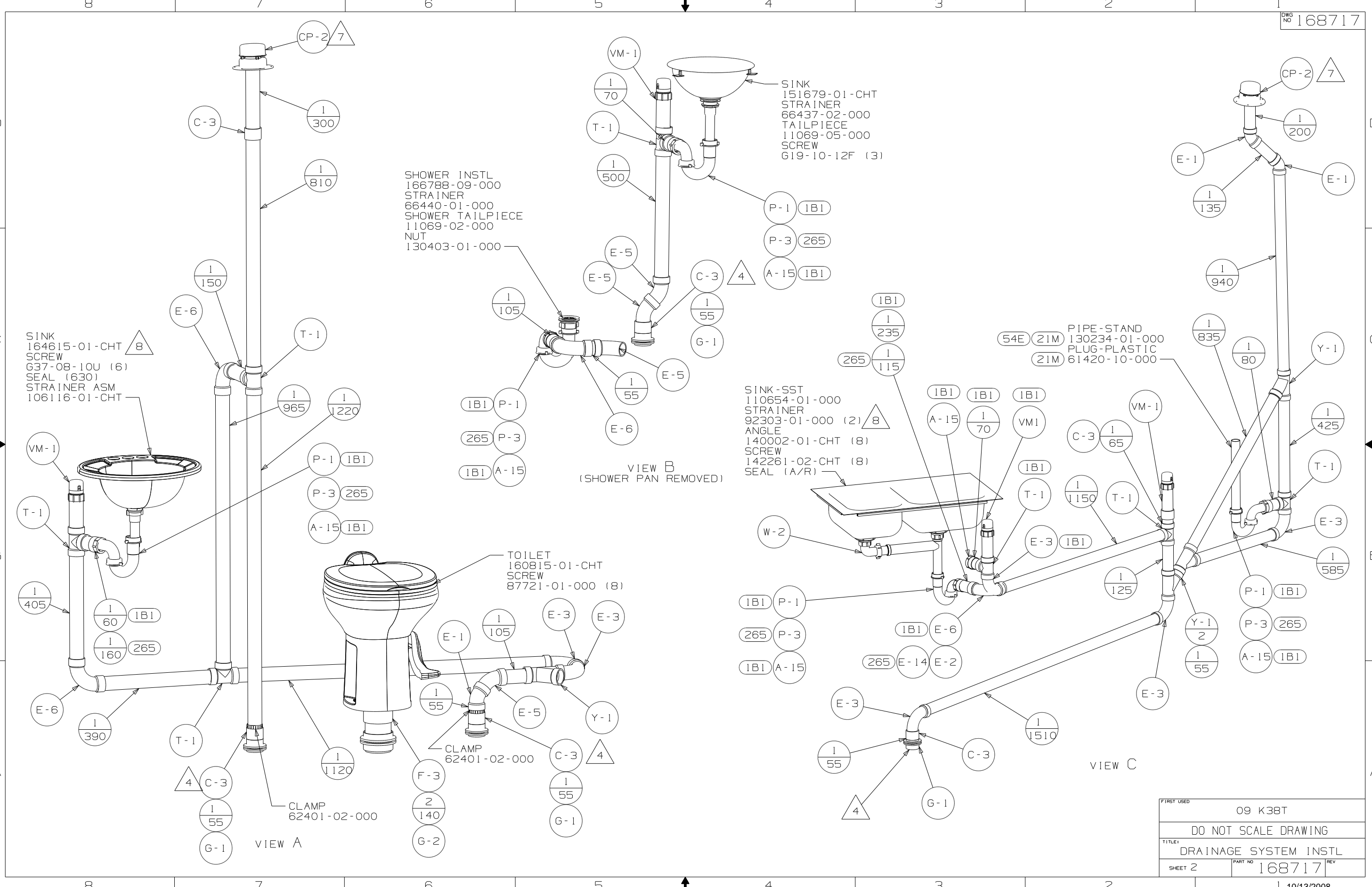
FRONT OF VEHICLE

- (265) CODES/STANDARDS - CSA/CMVSS
- (1B1) CODES/STANDARDS - USA
- (21M) WASHER/DRYER PREP
- (54E) WASHER/DRYER

- NOTES:
8. USE PLUMBERS 167459-01-000 TO SEAL STRAINER (.2 PER STRAINER).
 7. VENT PIPE MUST PROJECT 51 MIN AND 64 MAX ABOVE ROOF FOR PROPER FIT AND FUNCTION.
 6. FOR CANADIAN UNITS EACH HOLDING TANK SHALL HAVE A CSA APPROVAL STAMPED NEAR THE IAMPO APPROVAL.
 5. SEAL AROUND SHOWER WITH SILICONE.
 4. SECURE VENT TUBES TO FLOOR WITH BRACKET 136878-01-CHT (3) CLAMP 62401-02-000 (3), SCREW G67-10-12B (3).
 3. ALL PIPE AND FITTINGS TO BE ASSEMBLED WITH SOLVENT 4020-01-000 (US), 4020-02-000 (CAN).
 2. SLOPE OF TRAP ARM MUST BE 6 PER 305 mm.
 1. SLOPE OF HORIZONTAL PIPING TO BE 6 PER 305 mm.

FOR DRAINAGE CALLOUTS SEE DWG NO. 116229-01-000

WINNEBAGO		COPYRIGHT 2008 WINNEBAGO INDUSTRIES, INC.	
DFT	ORIG. DATE	ALL DIMENSIONS ARE IN MILLIMETERS	
CHKR		FIRST USED	
P.E.		09 K38T	
M.E.		UNSPECIFIED TOLERANCES ARE:	
DSNR		MATERIAL:	
		WHOLE DIM (X)	: 3
		ONE-PLACE (X.X)	:
		TWO-PLACE (X.XX)	:
		ANGLE	:
		THIRD ANGLE PROJECTION	
DO NOT SCALE DRAWING			
TITLE: DRAINAGE SYSTEM INSTL			
SHEET 1 OF 3	PART NO	168717	REV



SINK
164615-01-CHT
SCREW
G37-08-10U (6)
SEAL (630)
STRAINER ASM
106116-01-CHT

SHOWER INSTL
166788-09-000
STRAINER
66440-01-000
SHOWER TAILPIECE
11069-02-000
NUT
130403-01-000

SINK
151679-01-CHT
STRAINER
66437-02-000
TAILPIECE
11069-05-000
SCREW
G19-10-12F (3)

SINK-SST
110654-01-000
STRAINER
92303-01-000 (2)
ANGLE
140002-01-CHT (8)
SCREW
142261-02-CHT (8)
SEAL (A/R)

TOILET
160815-01-CHT
SCREW
87721-01-000 (8)

CLAMP
62401-02-000

CLAMP
62401-02-000

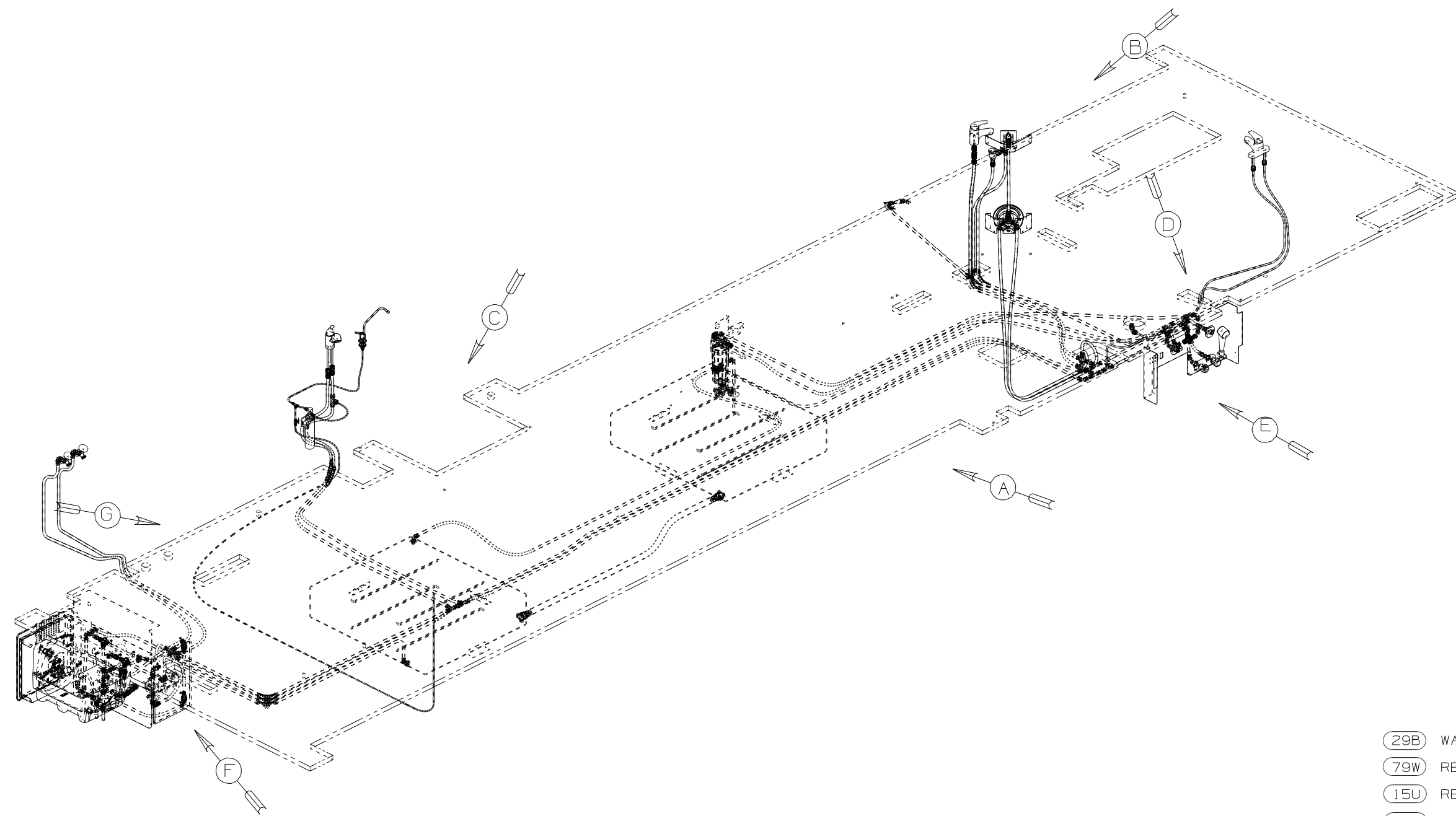
PIPE-STAND
130234-01-000
PLUG-PLASTIC
21M 61420-10-000

VIEW A

VIEW B
(SHOWER PAN REMOVED)

VIEW C

FIRST USED	09 K38T		
TITLE	DO NOT SCALE DRAWING		
	DRAINAGE SYSTEM INSTL		
SHEET 2	PART NO	168717	REV



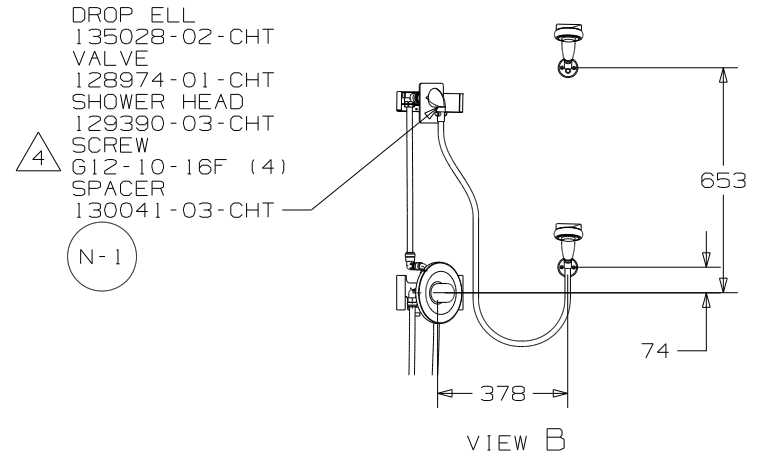
- (29B) WATER PURIFIER
- (79W) REFRIGERATOR-4 DOOR
- (15U) REFRIGERATOR/FRZR W/ICEMAKER
- (1B2) WTR HTR-10 GAL/ELEC/LP/MTR AID

- △6 ADD PIPE WRAP (LADDER SCRAP 110157-02-000) INSULATION.
 - △5 ADD TEFLON TAPE 10405-02-000.
 - △4 ADD TEFLON TAPE 10405-01-000.
3. ALL TUBING TO BE SECURED AT 1200 INTERVALS MAXIMUM WITH CLAMP 10495-01-000 AND SCREW G67-10-12B OR EQUIVALENT.
 2. TUBING TO BE INSTALLED WITH SUFFICIENT SLOPE TO PROVIDE DRAINAGE TO NEAREST VALVE.
 1. PLASTIC FITTINGS TO BE SEALED WITH SEALANT 84456-01-000.

NOTES:

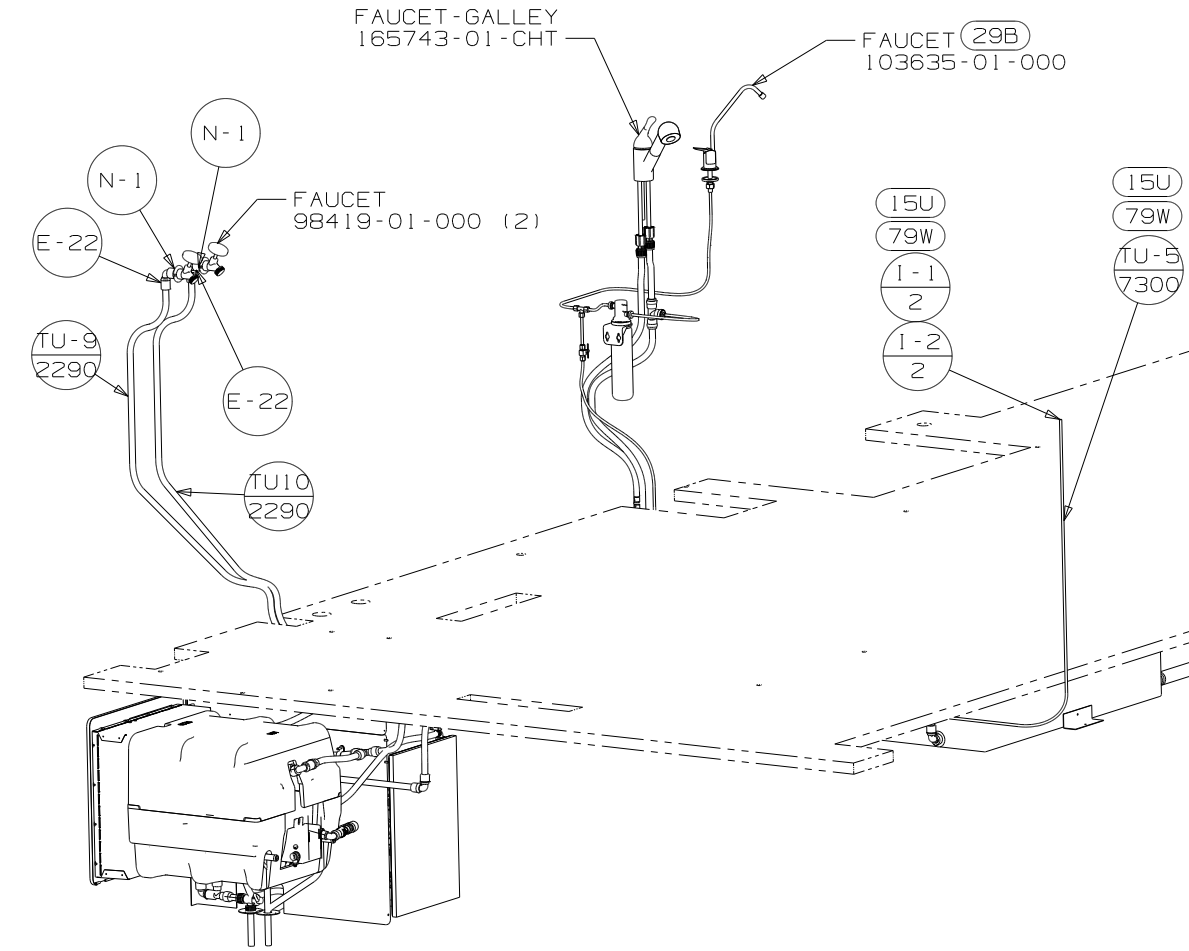
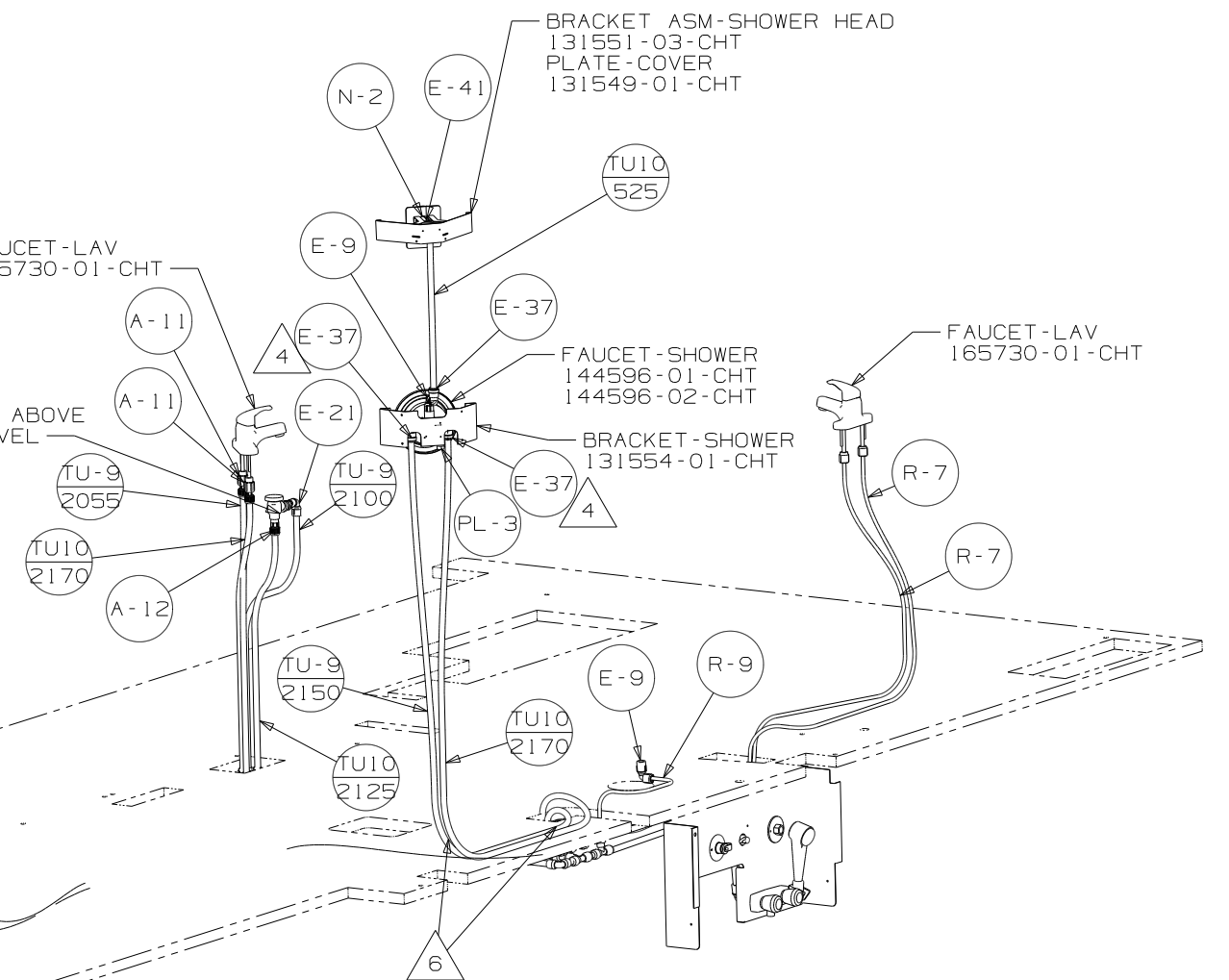
(X-X)
FOR
WATER
CALLOUTS
SEE DWG NO
116230-01-000

WINNEBAGO		COPYRIGHT 2008 WINNEBAGO INDUSTRIES, INC.	
DFTR	ORIG. DATE	ALL DIMENSIONS ARE IN MILLIMETERS	
CHKR		FIRST USED	
P.E.		09 K38T	
M.E.		UNSPECIFIED TOLERANCES ARE:	
DSNR		MATERIAL:	
		WHOLE DIM (X)	: 7
		ONE-PLACE (X.X)	: 1.5
		TWO-PLACE (X.XX)	: 0.50
		ANGLE	: 1°
THIRD ANGLE PROJECTION		DO NOT SCALE DRAWING	
TITLE: WATER SYSTEM INSTL			
SHEET 1 OF 4	PART NO	168716	REV
REF:	1 7/18/2008		

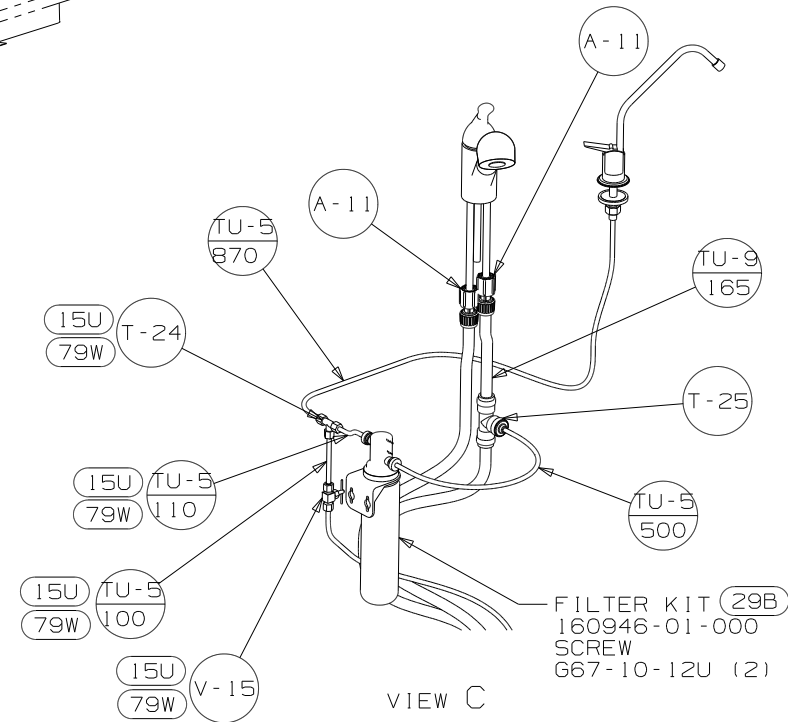


FAUCET-LAV
165730-01-CHT

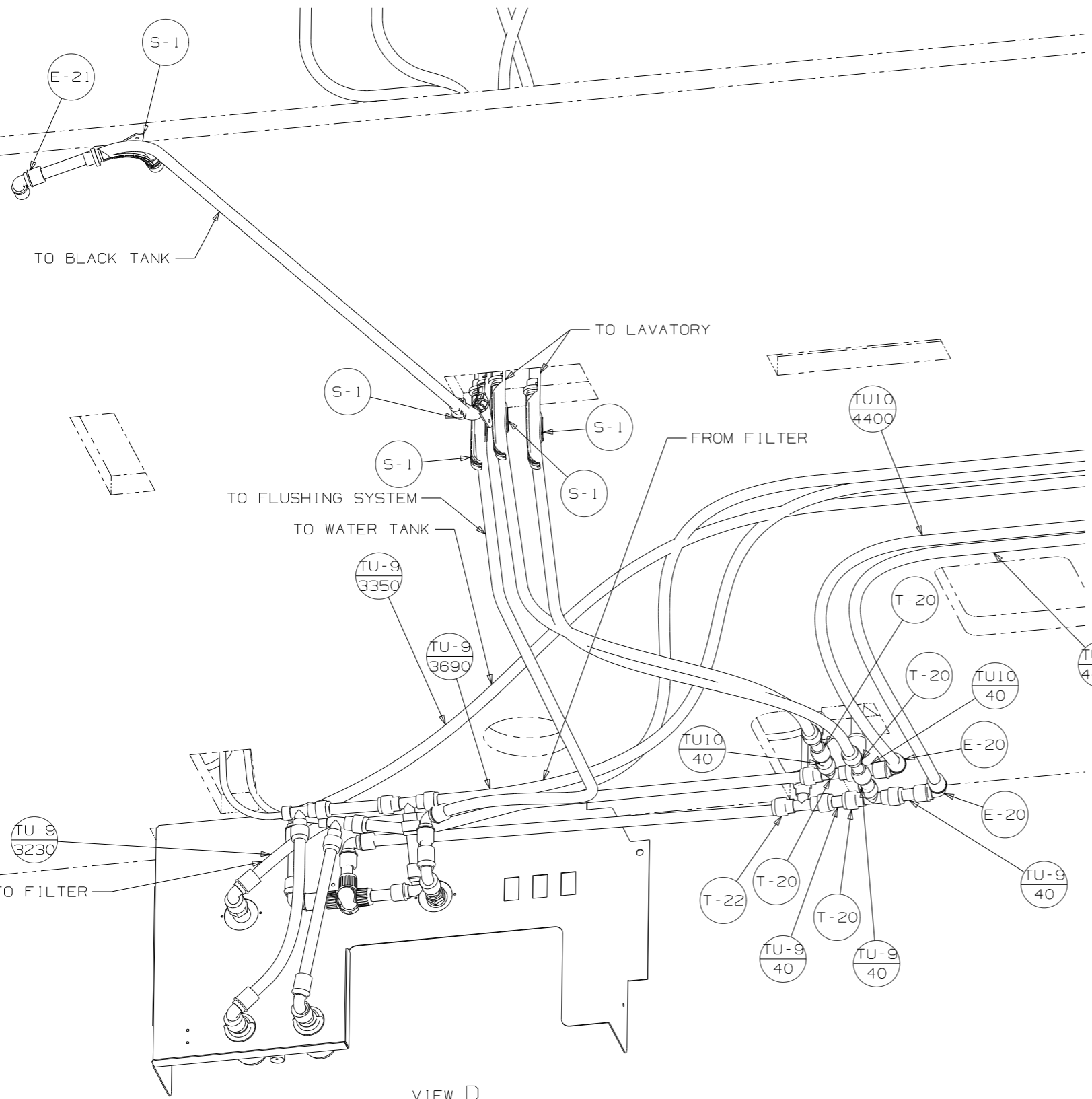
BREAKER-VACUUM
125697-04-000
FLUSHING SYSTEM
125697-03-000
MUST BE MOUNTED ABOVE
TOILET FLOOD LEVEL



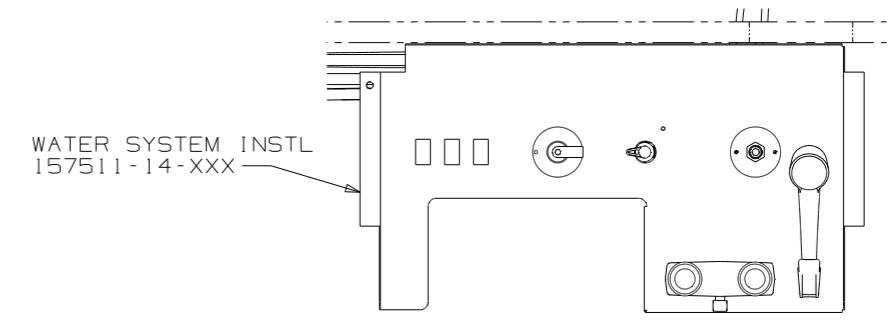
VIEW A



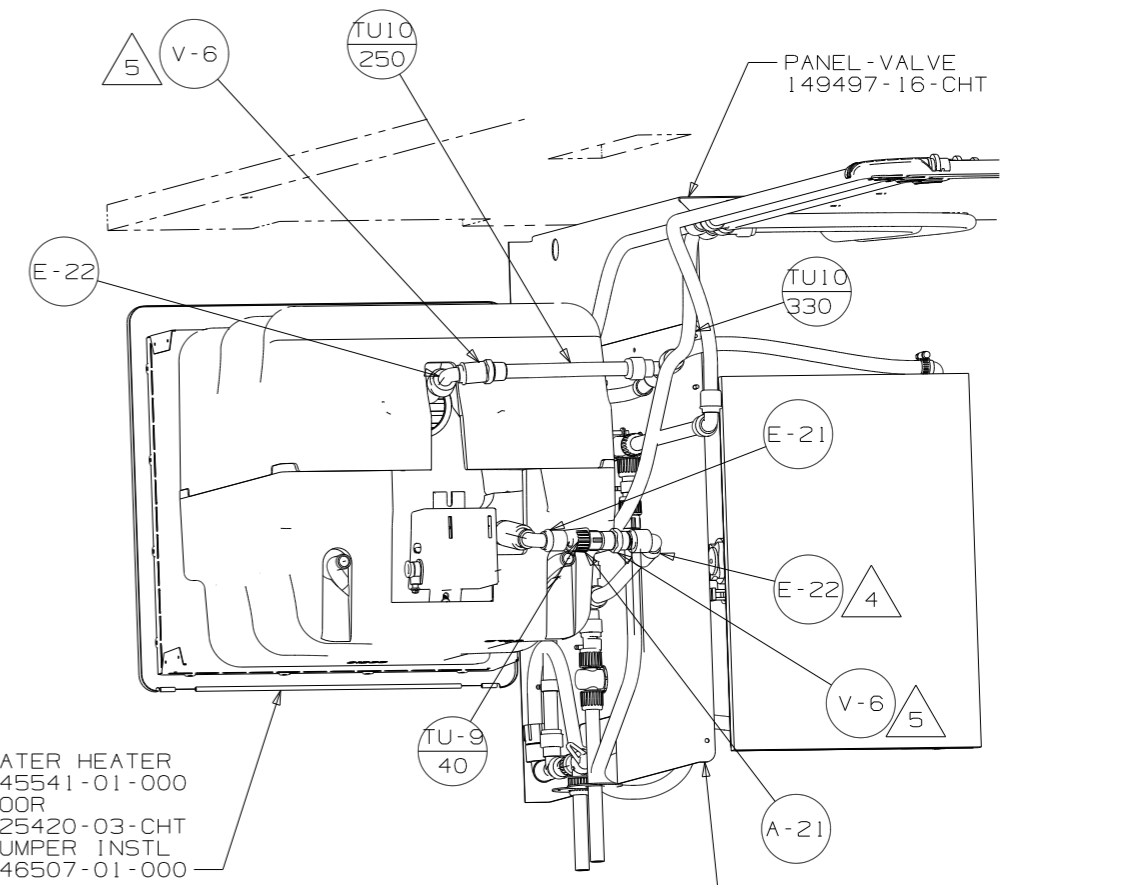
FIRST USED	09 K38T	
TITLE	DO NOT SCALE DRAWING	
	WATER SYSTEM INSTL	
SHEET 2	PART NO	168716
	REV	



VIEW D



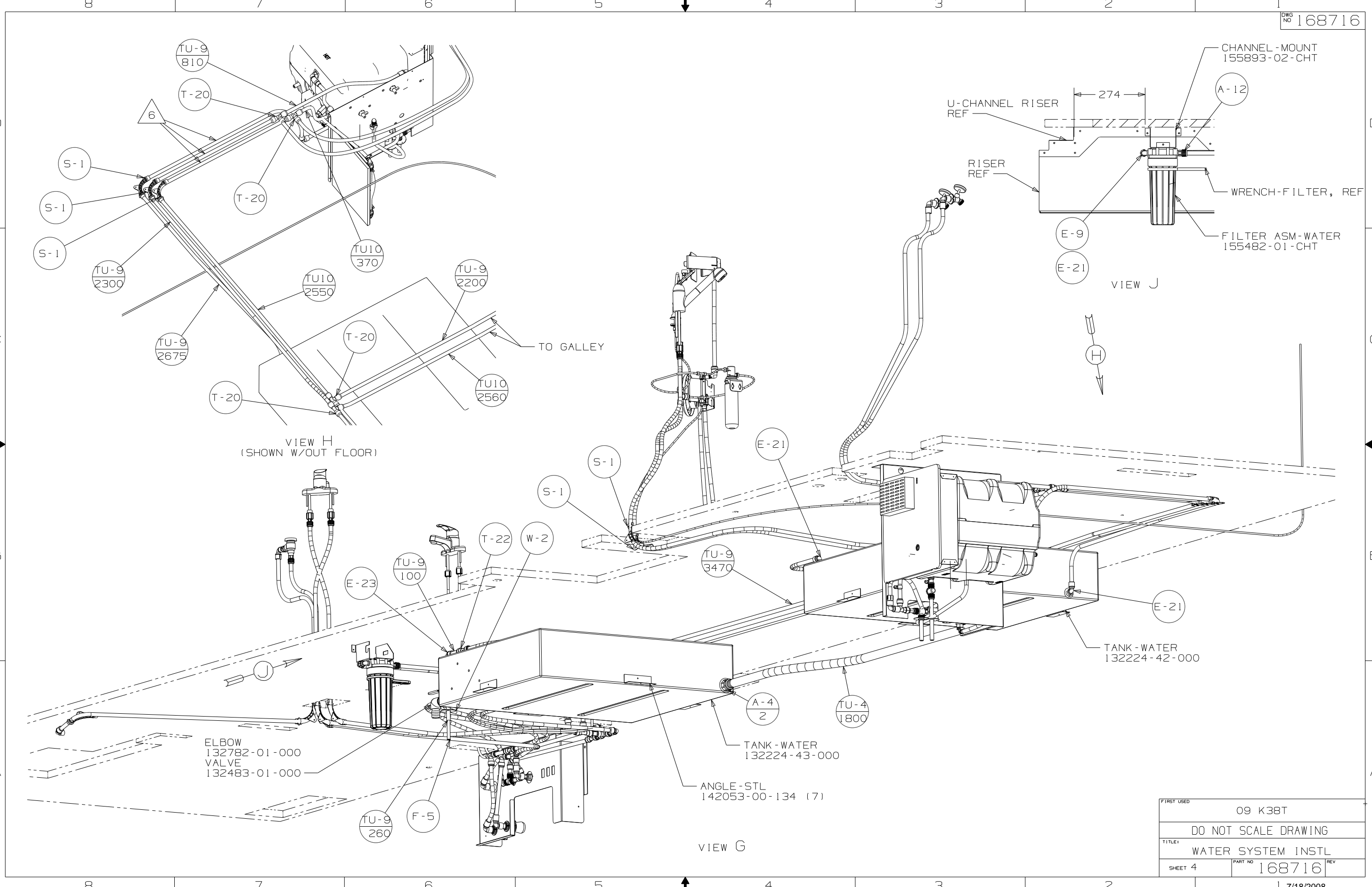
VIEW E



VIEW F

WATER HEATER
145541-01-000
DOOR
125420-03-CHT
BUMPER INSTL
146507-01-000

FIRST USED	09 K38T		
TITLE:	DO NOT SCALE DRAWING		
SHEET 3	PART NO	168716	REV
			17/18/2008



FIRST USED	09 K38T		
TITLE	DO NOT SCALE DRAWING		
	WATER SYSTEM INSTL		
SHEET 4	PART NO	168716	REV