

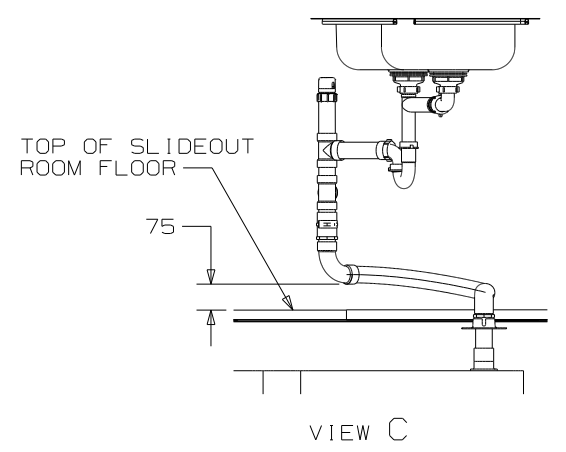
- 1. SLOPE OF HORIZONTAL PIPING TO BE MINIMUM OF 3 PER 305 mm.
- 2. SLOPE OF TRAP ARM MUST BE 6 PER 305 mm.
- 3. ALL PIPE AND FITTINGS TO BE ASSEMBLED WITH SOLVENT 4020-01-000 (USA), 4020-02-000 (CAN)
- 4. GLUE FITTING AFTER CABINET IS INSTALLED.
- 5. SEAL AROUND SHOWER WITH SILICONE.
- 6. VENT PIPE MUST PROJECT 51 MIN AND 64 MAX ABOVE ROOF FOR PROPER FIT AND FUNCTION.
- 7. SECURE VENT PIPE TO FLOOR WITH CLAMP 62401-02-000 (2), SCREW G67-10-12B (2), BRACKET 136878-01-CHT (2).
- 8. SECURE DRAINAGE PIPES TO CABINET USING WIRE TIE 108046-02-000, AND SCREW G67-10-12B AT INTERVALS OF NOT MORE THAN 4 FEET APART.
- 9. APPLY PRIMER 126427-02-000 AND CEMENT 126427-01-000 BETWEEN ELBOW AND FLEX PIPE.
- 10. ATTACH TANK BRACKET TO RISER.
- 11. USE SMOOTH PLUMBERS PUTTY 167459-01-000 TO SEAL STRAINER (0.2 PER STRAINER).

(161) CODES/STANDARDS USA
 (265) CODES/STANDARDS-CSA/CMVSS

WINNEBAGO		COPYRIGHT 2008 WINNEBAGO INDUSTRIES, INC.	
DFT-016	ORIG. DATE	ALL DIMENSIONS ARE IN MILLIMETERS	
CHKR		FIRST USED	
P.E.		09 K35P	
M.E.		UNSPECIFIED TOLERANCES ARE:	
DSNR		MATERIAL:	
		WHOLE DIM (X)	: 3
		ONE-PLACE (X.X)	: 1.5
		TWO-PLACE (X.XX)	: 0.50
		ANGLE	: 1°
		THIRD ANGLE PROJECTION	
DO NOT SCALE DRAWING			
TITLE: DRAINAGE SYSTEM INSTL			
SHEET 1 OF 4	PART NO	167387	REV
REF:	1 12/2/008		

(X-X)
 FOR
 DRAINAGE
 CALLOUTS
 SEE DWG NO
 116229-01-000

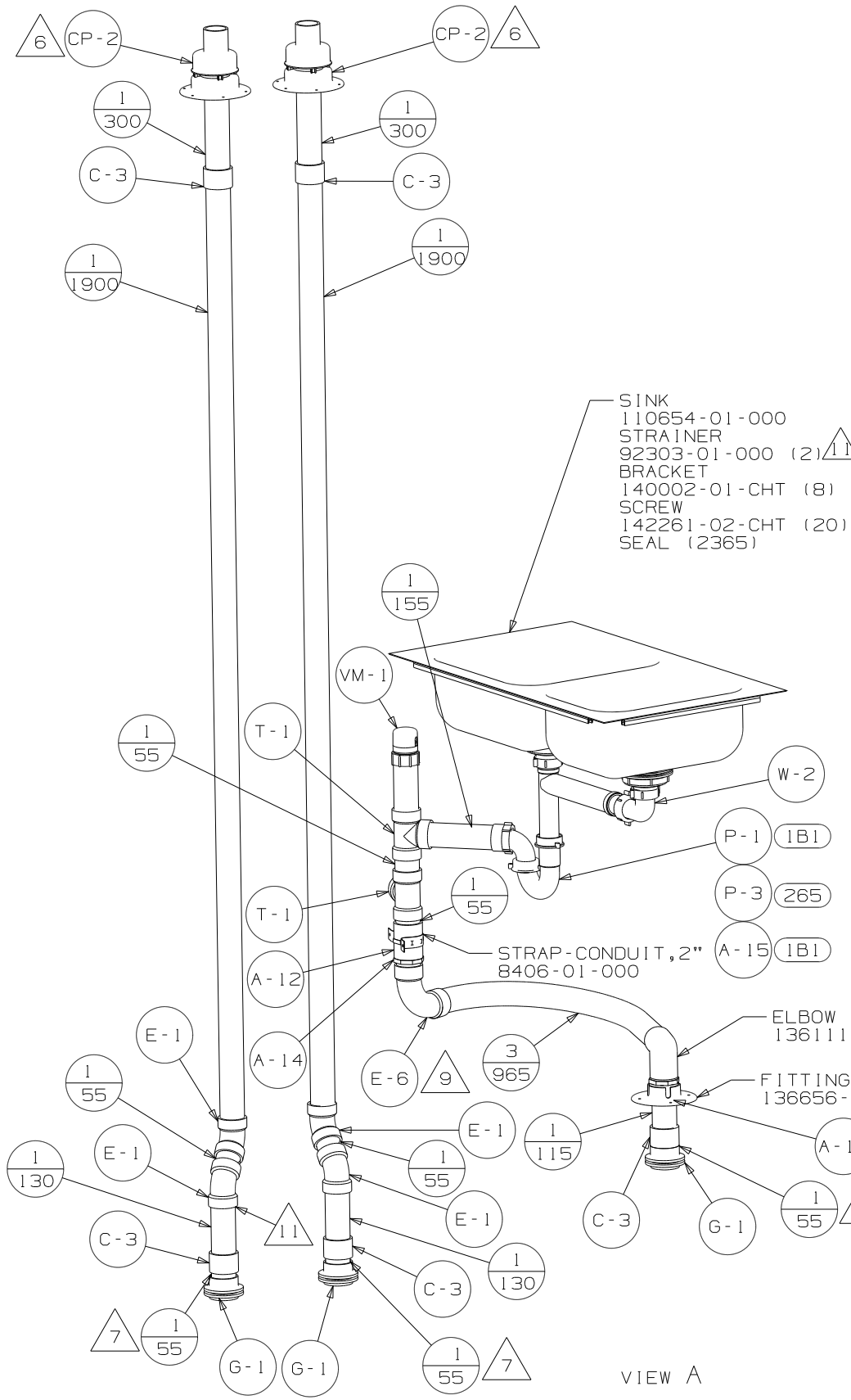
NOTES:



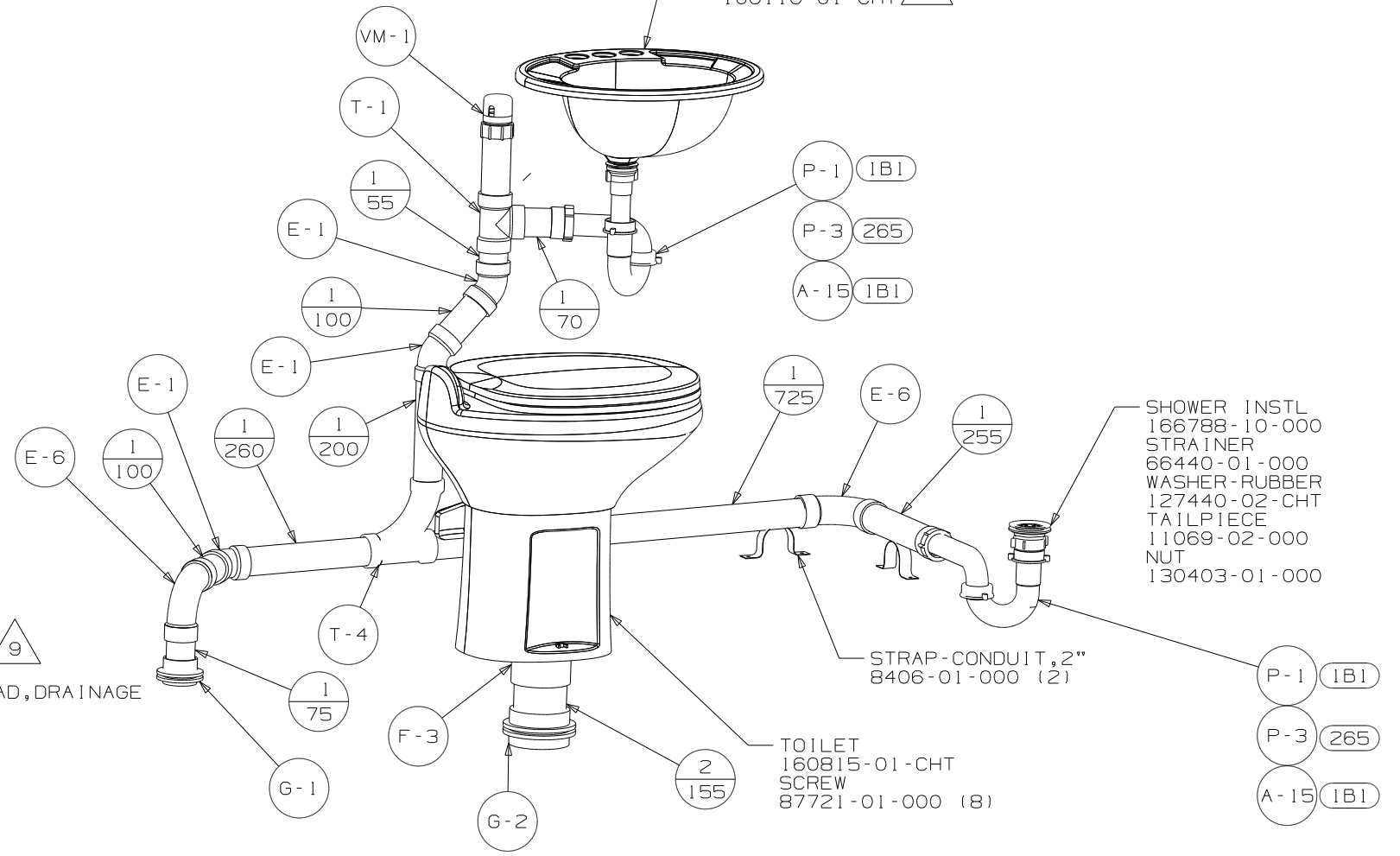
- SINK 110654-01-000
- STRAINER 92303-01-000 (2) $\Delta 11$
- BRACKET 140002-01-CHT (8)
- SCREW 142261-02-CHT (20)
- SEAL (2365)

- SINK-LAV 164615-01-CHT
- SCREW G37-08-10U (6)
- SEAL (630)
- STRAINER ASM 106116-01-CHT $\Delta 11$

- SHOWER INSTL 166788-10-000
- STRAINER 66440-01-000
- WASHER-RUBBER 127440-02-CHT
- TAILPIECE 11069-02-000
- NUT 130403-01-000

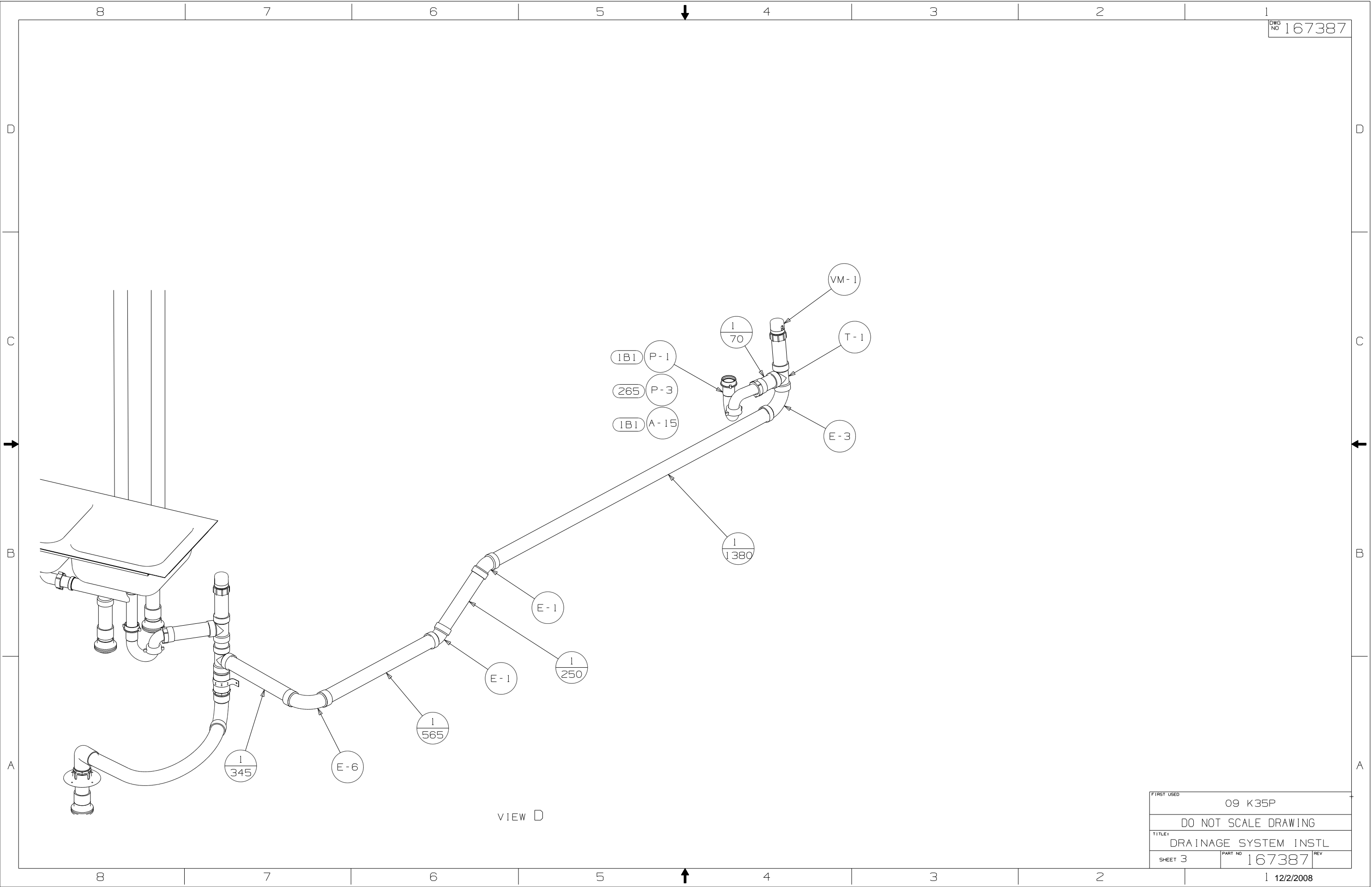


VIEW A



VIEW B

FIRST USED	09 K35P	
TITLE	DO NOT SCALE DRAWING	
	DRAINAGE SYSTEM INSTL	
SHEET 2	PART NO 167387	REV



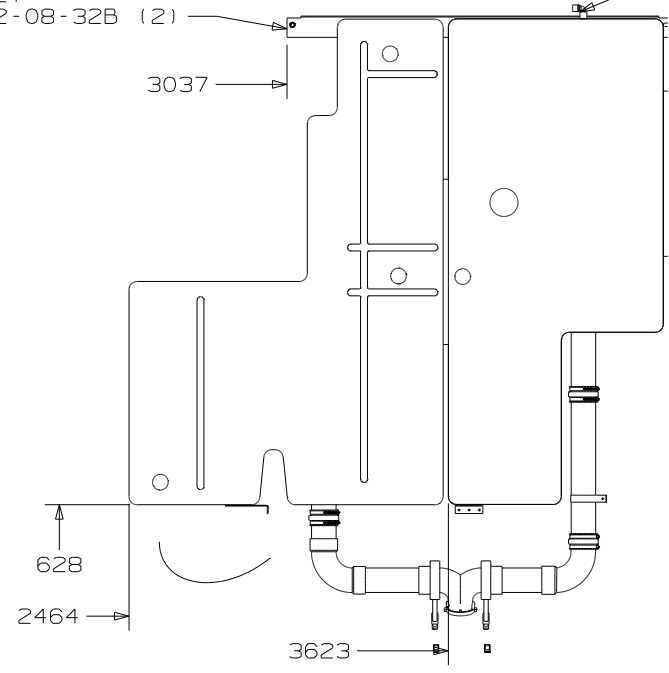
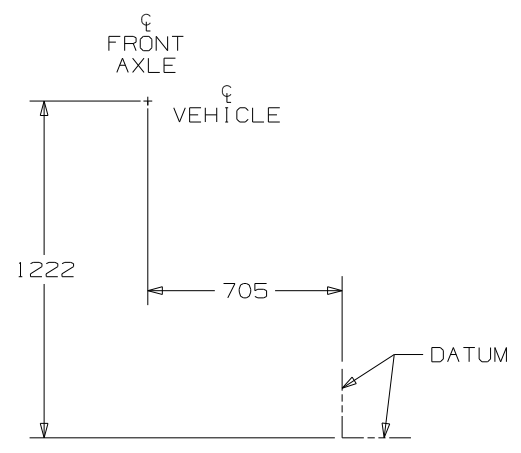
- (1B1) P-1
- (265) P-3
- (1B1) A-15
- (1/70)
- (1/1380)
- (1/250)
- (1/565)
- (1/345)
- E-1
- E-3
- E-6
- T-1
- VM-1

VIEW D

FIRST USED	09 K35P		
TITLE	DO NOT SCALE DRAWING		
	DRAINAGE SYSTEM INSTL		
SHEET 3	PART NO	167387	REV
			1 12/2/2008

BRACKET-TANK, HOLDING
162818-02-CHT
BOLT
C12-08-32B (2)

E-21



VIEW E

VALVE-SEWER
144728-01-000
CLAMP-HOSE
62401-09-000
LABEL-DRIP VALVE
147845-01-CHT

BRACKET-ANGLE, W/HOLES
94756-02-CHT

PLATFORM-HOLDING TANK
126714-42-000

CLAMP
141443-01-000

FOAM
100619-04-000
100 X 200

FOAM
100619-05-000
200 X 600

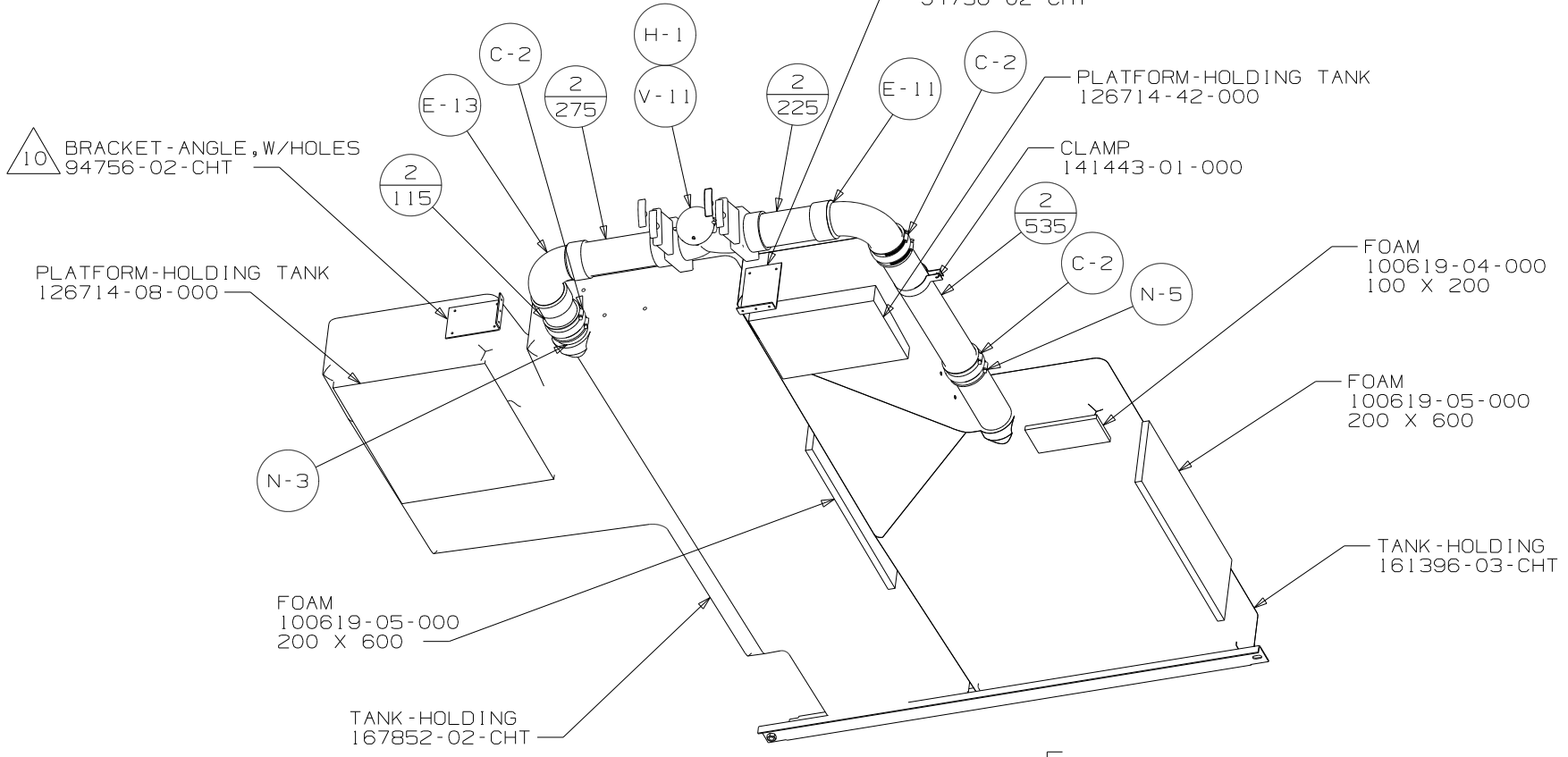
TANK-HOLDING
161396-03-CHT

BRACKET-ANGLE, W/HOLES
94756-02-CHT

PLATFORM-HOLDING TANK
126714-08-000

FOAM
100619-05-000
200 X 600

TANK-HOLDING
167852-02-CHT

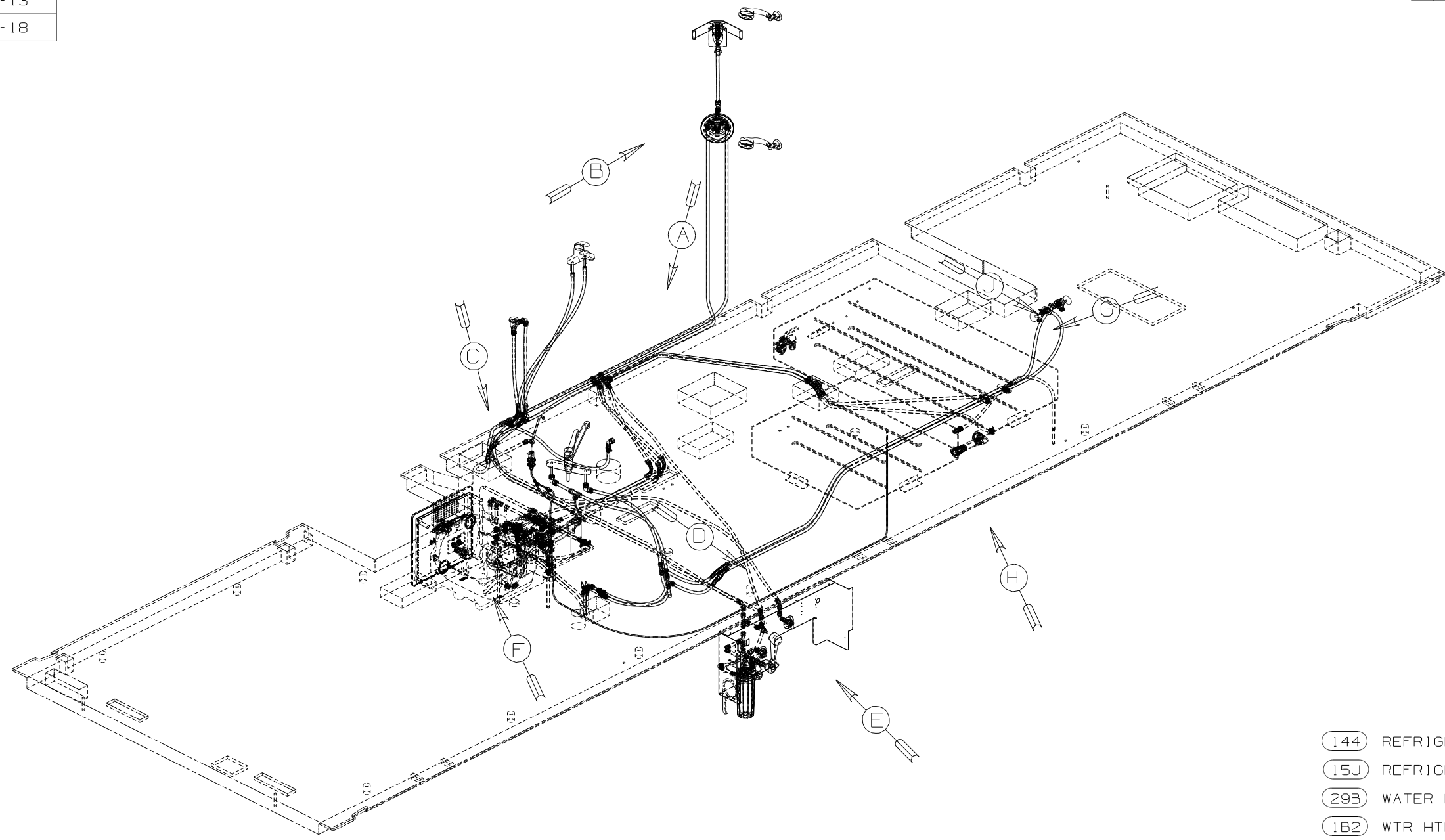


VIEW F

FIRST USED	09 K35P	
TITLE	DO NOT SCALE DRAWING	
	DRAINAGE SYSTEM INSTL	
SHEET 4	PART NO 167387	REV

DWG NO	WATER CENTER ASM-FILTERED
167397-01	157511-13
167397-02	157511-18

RELEASE	REV DATE A	DWG NO 167397
REV ZONE	REVISION RECORD	DATE DFR-ORIG

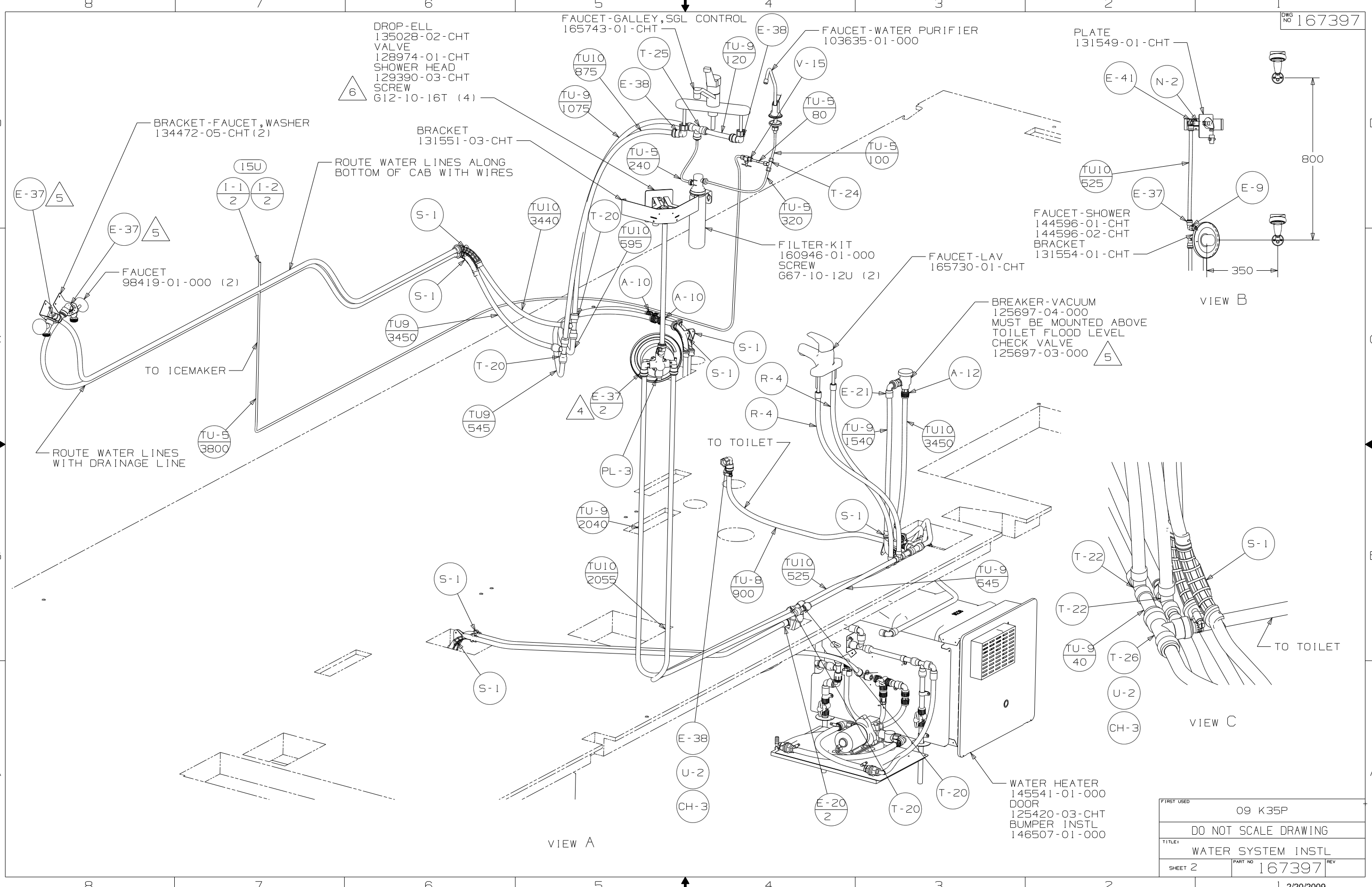


- (144) REFRIGERATOR-DOUBLE DOOR
- (15U) REFRIGERATOR/FRZR-W/ICEMAKER
- (29B) WATER PURIFIER
- (1B2) WTR HTR-10 GAL/ELEC/LP/MTRRID
- (53E) WATER SYS WINTERIZATION PKG

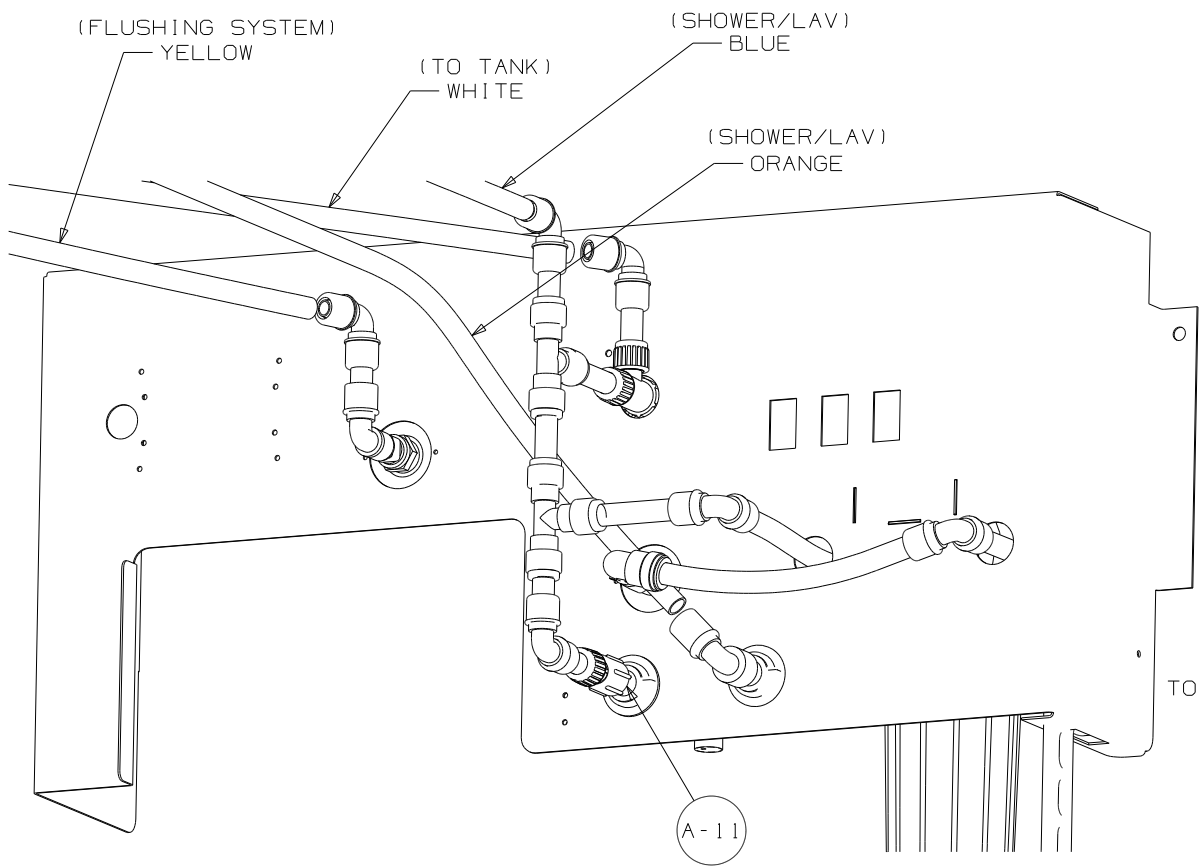
- NOTES:
- △ 6 USE IN PLACE OF SUPPLIED SCREWS TO ATTACH BRACKET TO WALL.
 - △ 5 ADD TEFLON TAPE 10405-02-000.
 - △ 4 ADD TEFLON TAPE 10405-01-000.
 - 3. ALL TUBING TO BE SECURED AT 1200 INTERVALS MAXIMUM WITH CLAMP 10495-01-000 AND SCREW G67-10-12B OR EQUIVALENT.
 - 2. TUBING TO BE INSTALLED WITH SUFFICIENT SLOPE TO PROVIDE DRAINAGE TO NEAREST VALVE.
 - 1. PLASTIC FITTINGS TO BE SEALED WITH SEALANT 84456-01-000.

FOR
WATER
CALLOUTS
SEE DWG NO
116230-01-000

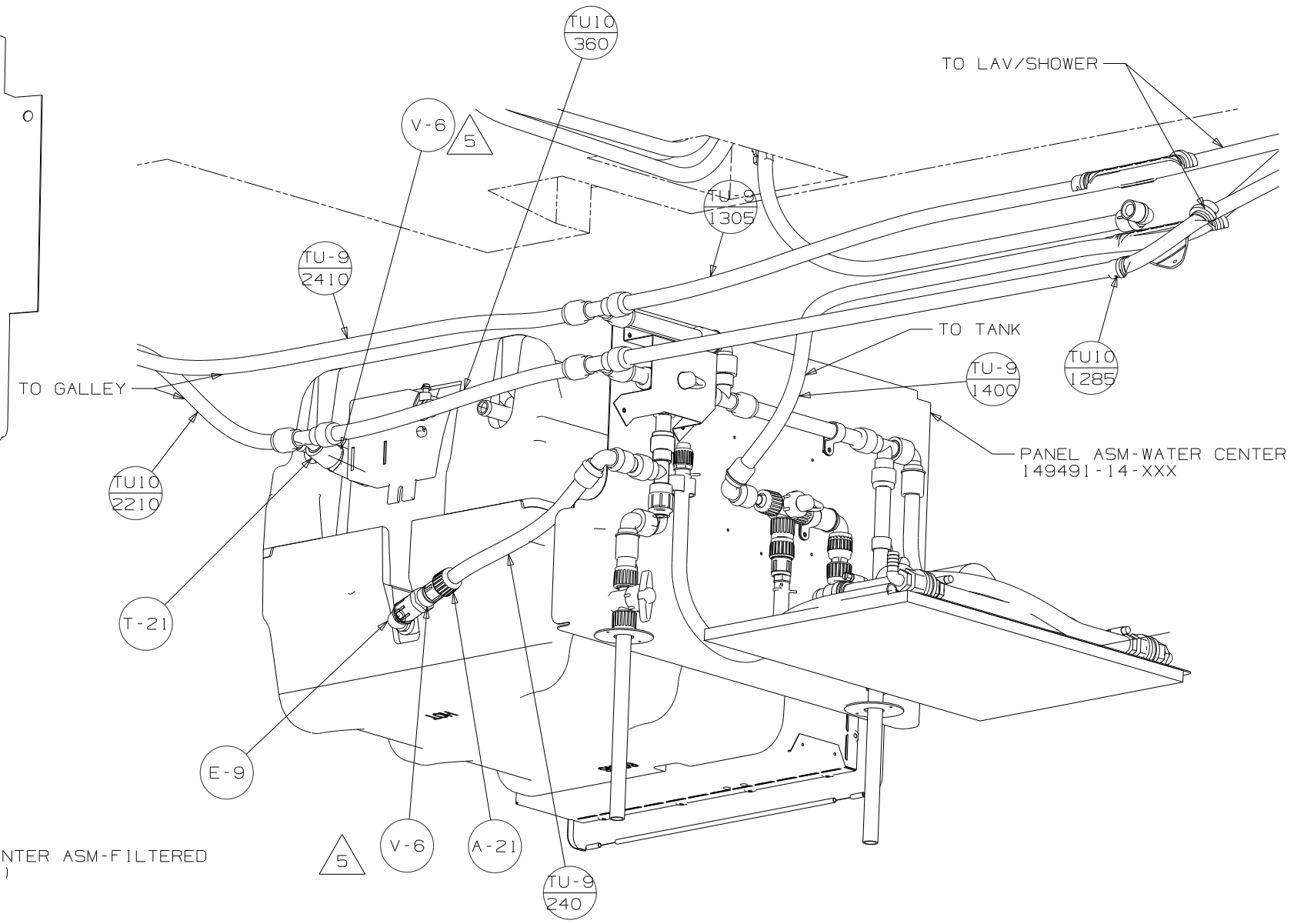
WINNEBAGO		COPYRIGHT 2009 WINNEBAGO INDUSTRIES, INC.	
DFTR	ORIG. DATE	ALL DIMENSIONS ARE IN MILLIMETERS	
CHKR		FIRST USED	
P.E.		09 K35P	
M.E.		UNSPECIFIED TOLERANCES ARE:	
DSNR		MATERIAL:	
		WHOLE DIM (X)	: 3
		ONE-PLACE (X.X)	: 1.5
		TWO-PLACE (X.XX)	: 0.50
		ANGLE	: 1°
THIRD ANGLE PROJECTION		DO NOT SCALE DRAWING	
TITLE: WATER SYSTEM INSTL			
SHEET 1 OF 4	PART NO	167397	REV
REF:	1 2/20/2009		



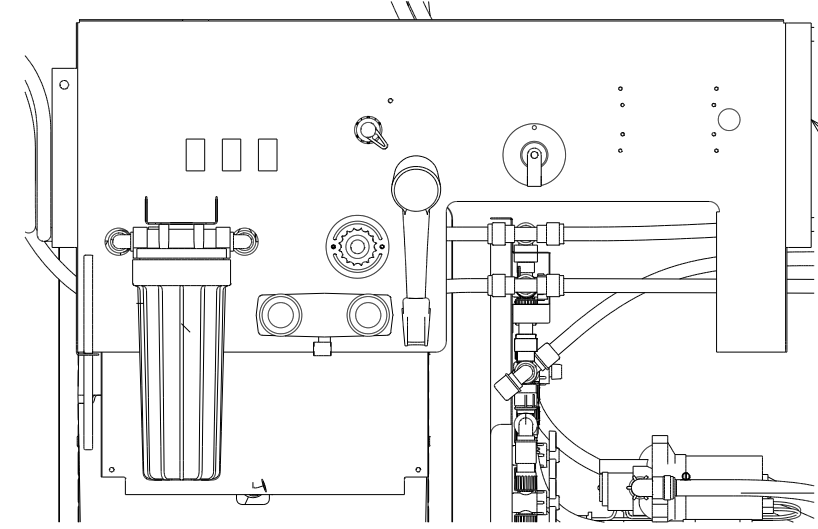
FIRST USED	09 K35P
TITLE	DO NOT SCALE DRAWING
SHEET 2	PART NO 167397
	REV



VIEW D

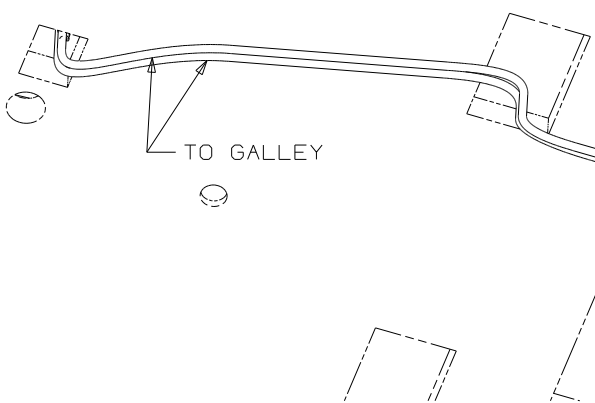
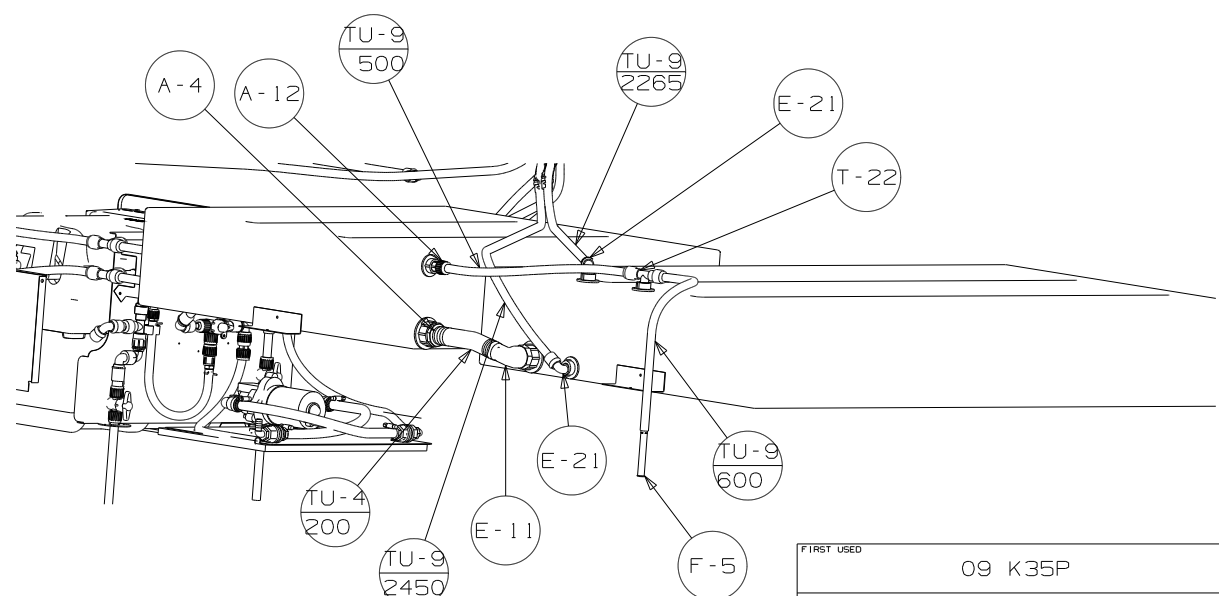
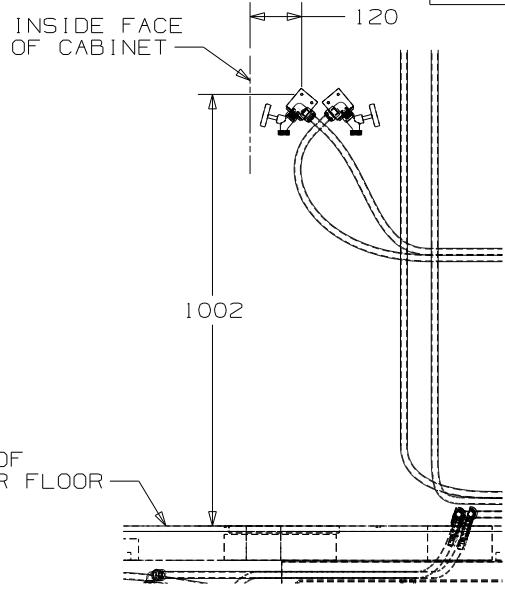
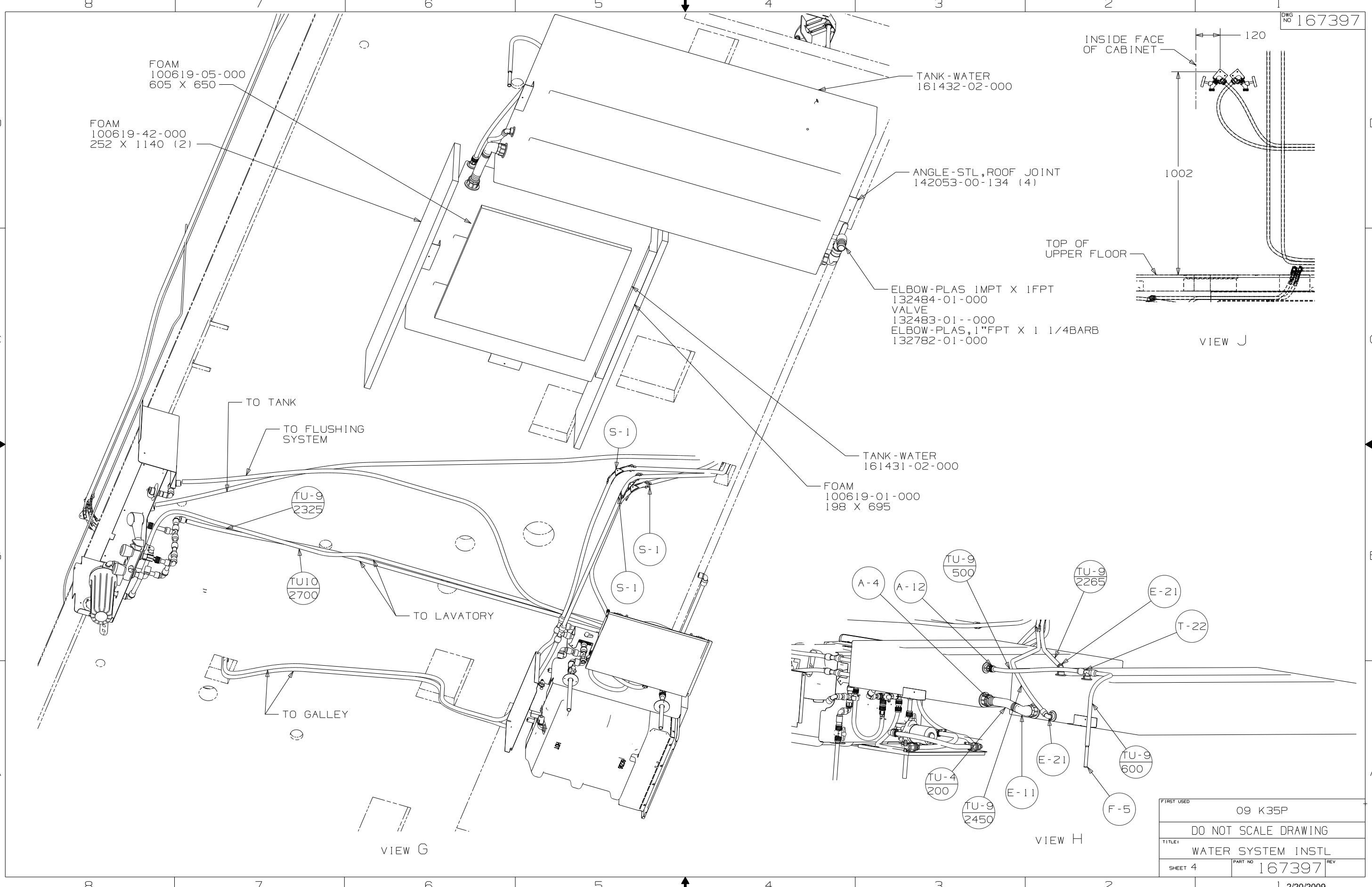


VIEW F
PANEL NOT SHOWN



VIEW E

FIRST USED	09 K35P		
TITLE:	DO NOT SCALE DRAWING		
SHEET	3	PART NO	167397
REV			



FIRST USED	09 K35P
TITLE	DO NOT SCALE DRAWING
TITLE	WATER SYSTEM INSTL
SHEET 4	PART NO 167397 REV