

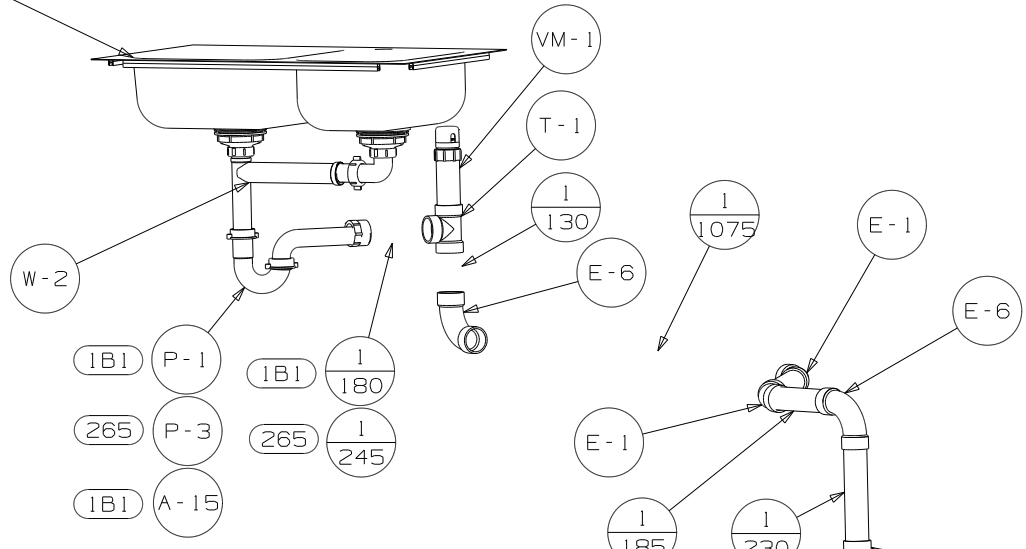
- (21M) WASHER/DRYER PREP
- (54E) WASHER/DRYER
- (1B1) CODES/STANDARDS USA
- (265) CODES/STDS-CSA/CMVSS
- (44X) BED-QUEEN SIDEWALL
- (23C) BED-KING SIDEWALL

- NOTES:
9. USE SMOOTH PLUMBERS PUTTY 167459-01-000 TO SEAL STRAINER (.2 PER STRAINER).
 8. SECURE PIPES TO CABINET USING WIRE TIE 108046-02-000 AND SCREW G67-10-12U (8).
 7. SEE DWG 61607-01-000 FOR INSTL OF GROMMET.
 6. VENT PIPE MUST PROJECT 51 MIN AND 64 MAX ABOVE ROOF FOR PROPER FIT AND FUNCTION.
 5. SEAL AROUND SHOWER WITH SILICONE.
 4. SECURE PIPES TO FLOOR USING BRACKET 136878-01-CHT (3) CLAMP 62401-02-000 (3) AND SCREW G67-10-12B (3).
 3. ALL PIPE AND FITTINGS TO BE ASSEMBLED WITH SOLVENT 4020-01-000 (US) 4020-02 (CAN).
 2. SLOPE OF TRAP ARM MUST BE 6 PER 305 mm.
 1. SLOPE OF HORIZONTAL PIPING TO BE MIN 3 PER 305 mm.

WINNEBAGO		COPYRIGHT 2008 WINNEBAGO INDUSTRIES, INC.	
DFT	ORIG. DATE	ALL DIMENSIONS ARE IN MILLIMETERS	
CHKR		FIRST USED	
P.E.		09 K35L	
M.E.			
DSNR			
UNSPECIFIED TOLERANCES ARE:		MATERIAL:	
WHOLE DIM (X)	: 5		
ONE-PLACE (X.X)	:		
TWO-PLACE (X.XX)	:		
ANGLE	:		
THIRD ANGLE PROJECTION			
DO NOT SCALE DRAWING			
TITLE: DRAINAGE SYSTEM INSTL			
SHEET 1 OF 3	PART NO	166144	REV
REF:	1 10/10/2008		

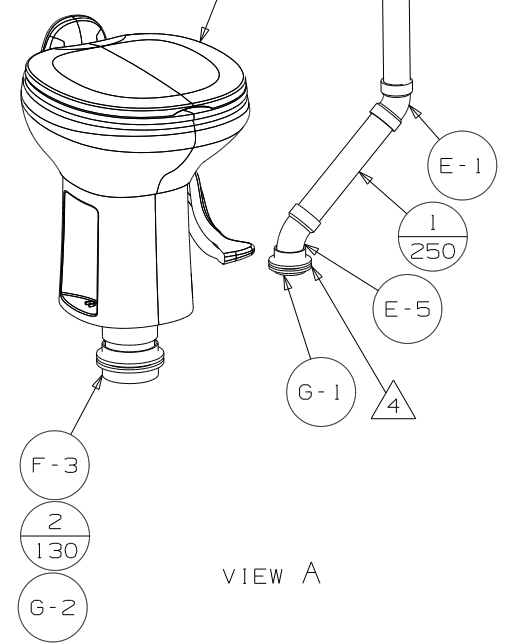
(X-X)
FOR
DRAINAGE
CALLOUTS
SEE DWG NO
116229-01-000

SINK-DBL
110654-01-000
STRAINER
92303-01-000 (2) 9
BRACKET
140002-01-CHT (8)
SCREW
142261-02-CHT (20)
SEAL (2365)



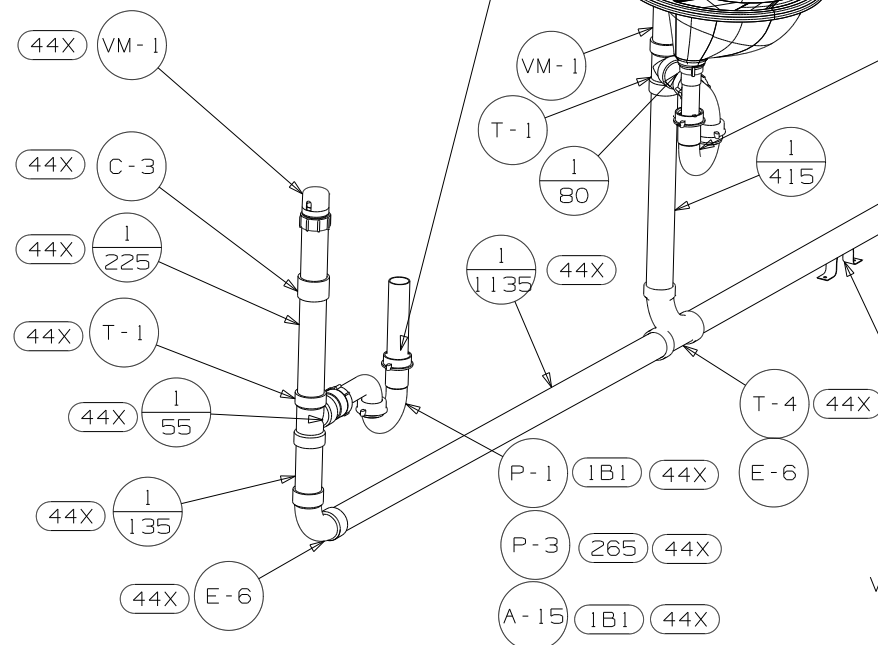
VIEW B

TOILET
160815-01-CHT
SCREW
87721-01-000 (8)



VIEW A

PIPE-STAND
130234-01-000
PLUG-PLASTIC
61420-10-000



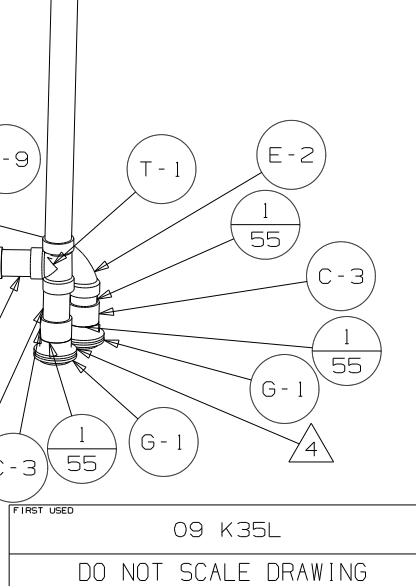
SINK-LAV
164615-01-CHT
SCREW
G37-08-10U (6)
SEAL (630)
STRAINER
106116-01-CHT 9

A-15 (1B1)
P-3 (265)
P-1 (1B1)

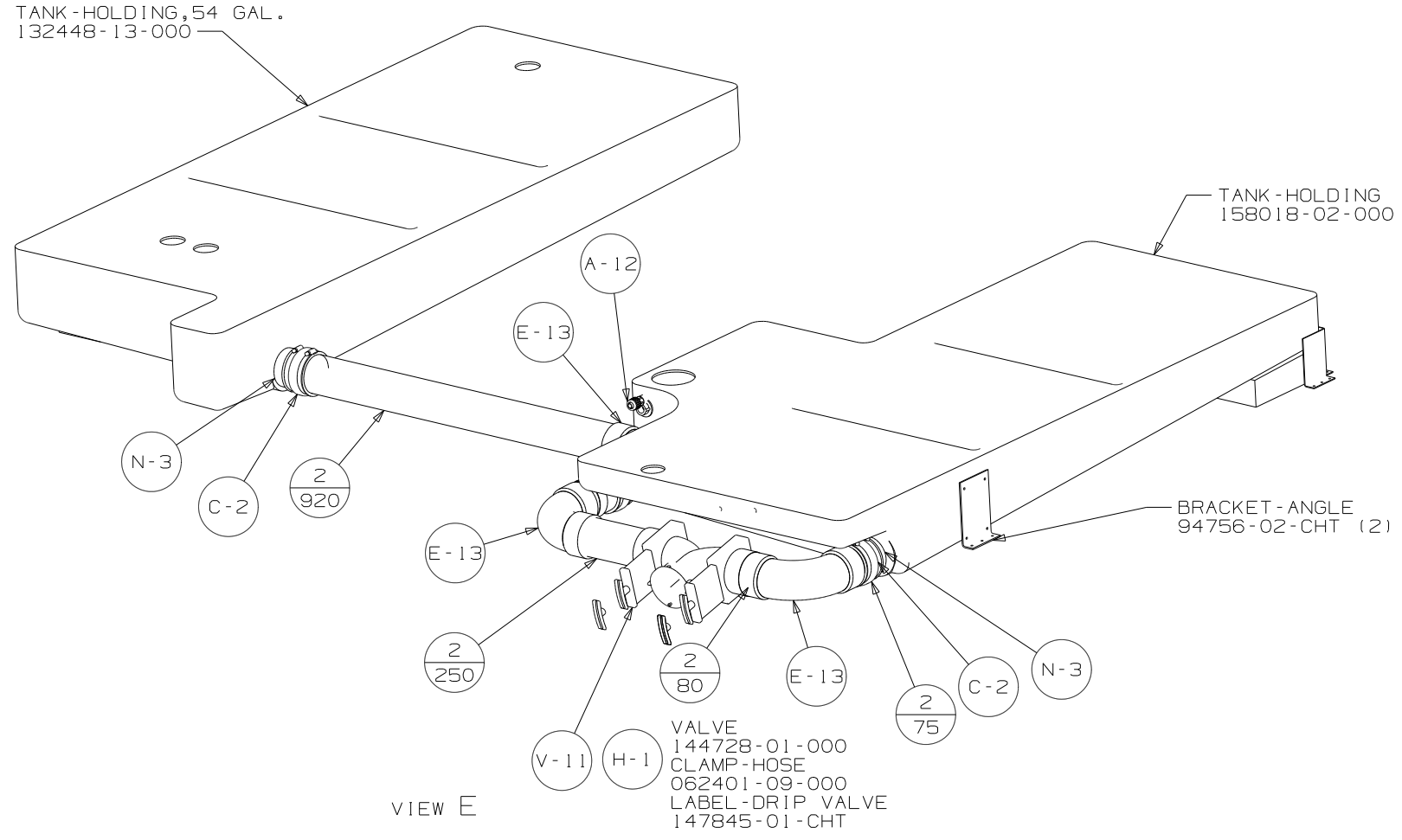
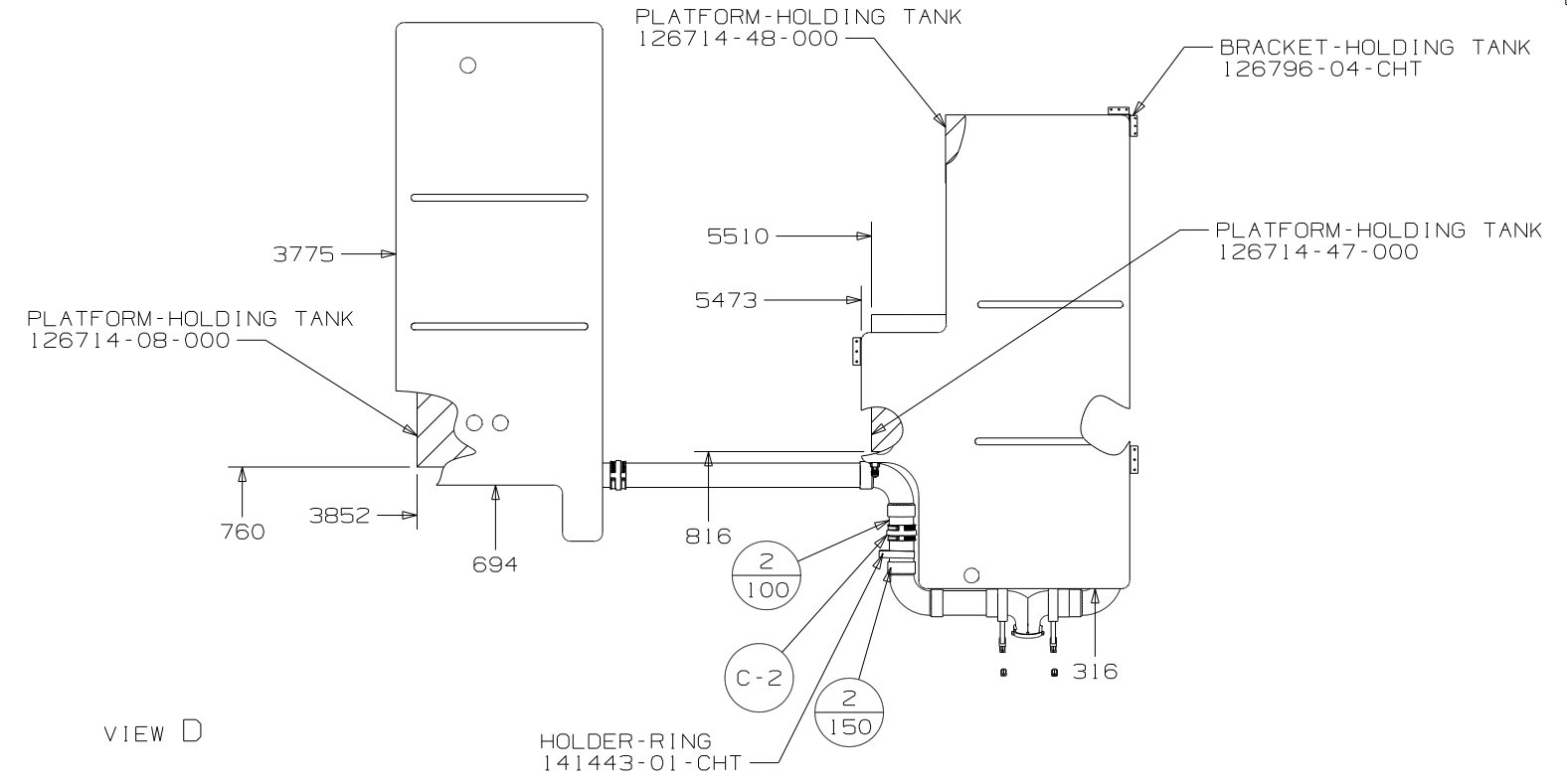
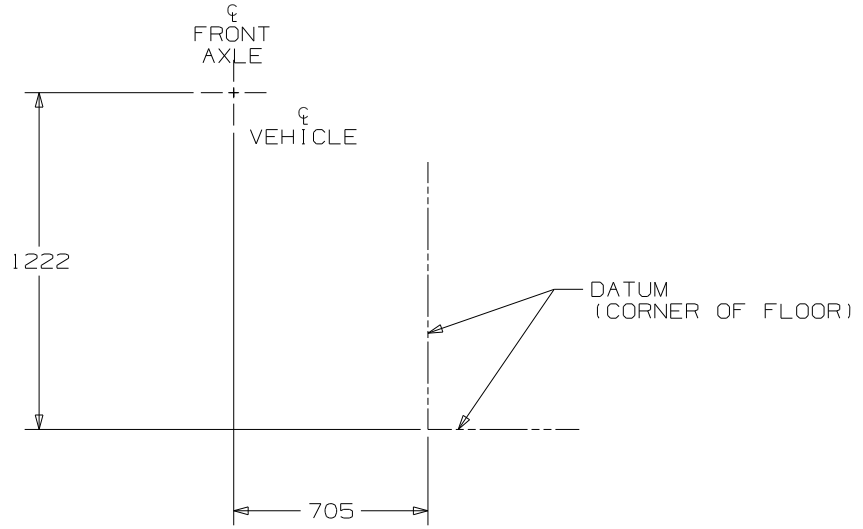
STRAP-CONDUIT, 2"
8406-01-000 (2)

VIEW C

SHOWER INSTL
166788-02-000
STRAINER
66440-01-000
ELBOW-DRAIN
131486-01-000
SEALER
69640-01-000
RUBBER WASHER
127440-02-CHT
NUT
130403-01-000



FIRST USED	09 K35L
DO NOT SCALE DRAWING	
TITLE:	DRAINAGE SYSTEM INSTL
SHEET 2	PART NO 166144 REV
1 10/10/2008	



- VALVE 144728-01-000
- CLAMP-HOSE 062401-09-000
- LABEL-DRIP VALVE 147845-01-CHT

FIRST USED	09 K35L	
TITLE	DO NOT SCALE DRAWING	
SHEET 3	PART NO 166144	REV

8

7

6

5

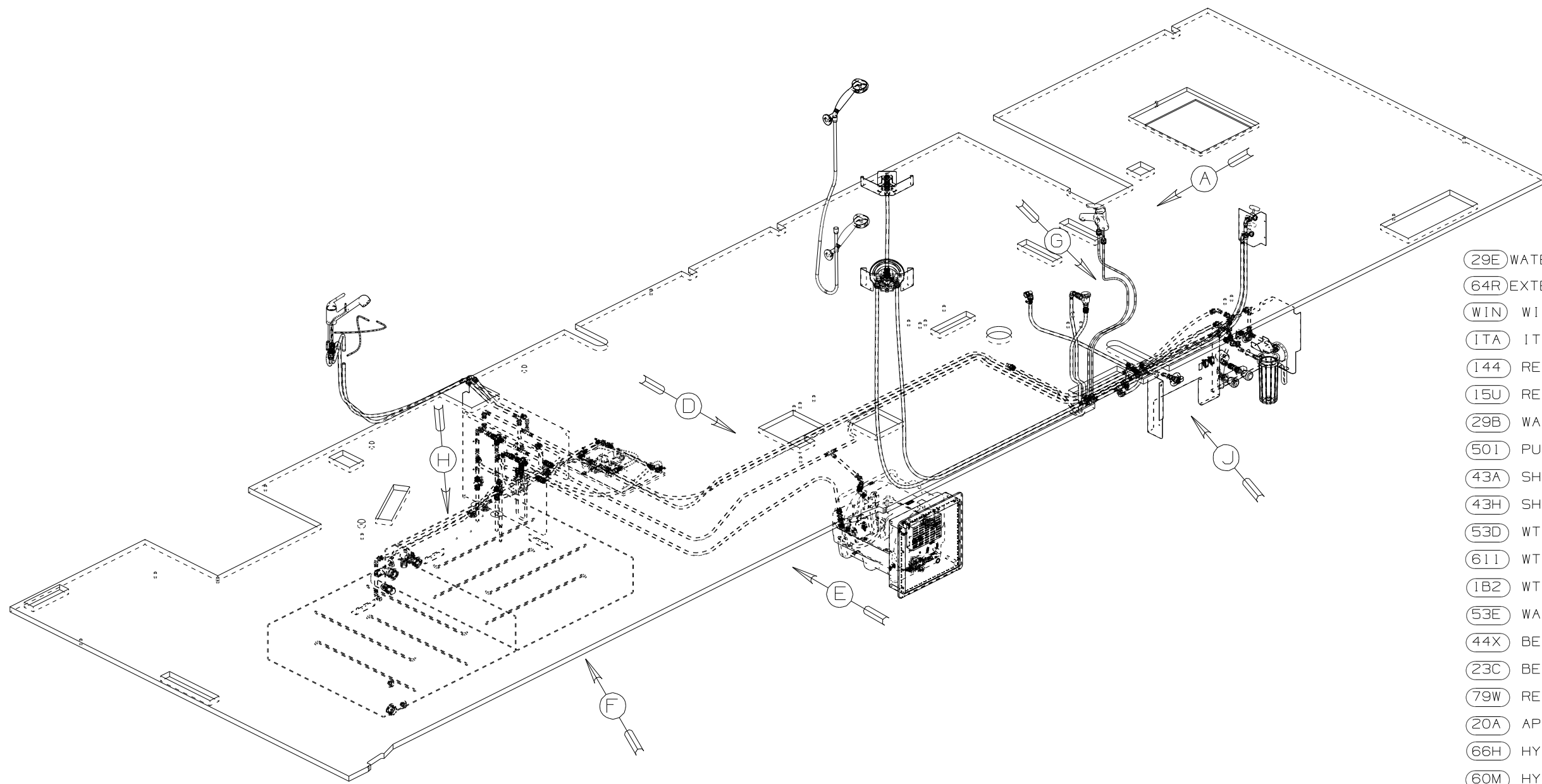
4

3

2

1

RELEASE	REV DATE A	DWG NO 166143
REV ZONE	REVISION RECORD	DATE DFR-0R16



- (29E) WATER SYSTEM FILTRATION PKG
- (64R) EXTERIOR WASH STATION
- (WIN) WINNEBAGO ONLY
- (ITA) ITASCA ONLY
- (144) REFRIGERATOR-DOUBLE DOOR
- (15U) REFRIGERATOR/FRZR W/ICEMAKER
- (29B) WATER PURIFIER
- (50I) PURIFIER W/O
- (43A) SHOWER HEAD-FIXED
- (43H) SHOWER HEAD-HAND HELD
- (53D) WTR-HTR-6/ELE/LP/MA
- (61I) WTR-HTR-AUX AUTO MA
- (1B2) WTR HTR-10GAL/E,EC/LP/MTR AID
- (53E) WATER SYS WINTERIZATION PKG
- (44X) BED-QUEEN SIDEWALL
- (23C) BED-KING OFF SIDEWALL
- (79W) REFRIGERATOR 4-DOOR
- (20A) APPLIANCE PKG STAINLES S W/O
- (66H) HYDRAULIC LEVEL JACKS-AUTO
- (60M) HYDRAULIC LEVEL JACKS

- △ 6 ADD TEFLON TAPE 10405-01-000.
- △ 5 ADD TEFLON TAPE 10405-02-000.
- △ 4 USED IN PLACE OF SUPPLIED SCREWS TO ATTACH BRACKET TO WALL.
- 3. ALL TUBING TO BE SECURED AT 1200 INTERVALS MAXIMUM WITH CLAMP 10495-01-000 AND SCREW G67-10-12B OR EQUIVALENT.
- 2. TUBING TO BE INSTALLED WITH SUFFICIENT SLOPE TO PROVIDE DRAINAGE TO NEAREST VALVE.
- 1. PLASTIC FITTINGS TO BE SEALED WITH SEALANT 84456-01-000.

NOTES:

(X-X)
FOR
WATER
CALLOUTS
SEE DWG NO
116230-01-000

WINNEBAGO		COPYRIGHT 2008 WINNEBAGO INDUSTRIES, INC.	
DFTR	ORIG. DATE	ALL DIMENSIONS ARE IN MILLIMETERS	
CHKR		FIRST USED	
P.E.		09 K35L	
M.E.			
DSNR			
UNSPECIFIED TOLERANCES ARE:		MATERIAL:	
WHOLE DIM (X)	: 7		
ONE-PLACE (X.X)	:		
TWO-PLACE (X.XX)	:		
ANGLE	:		
THIRD ANGLE PROJECTION			
DO NOT SCALE DRAWING			
TITLE: WATER SYSTEM INSTL			
SHEET 1 OF 4	PART NO	166143	REV
REF:	1 8/7/2008		

8

7

6

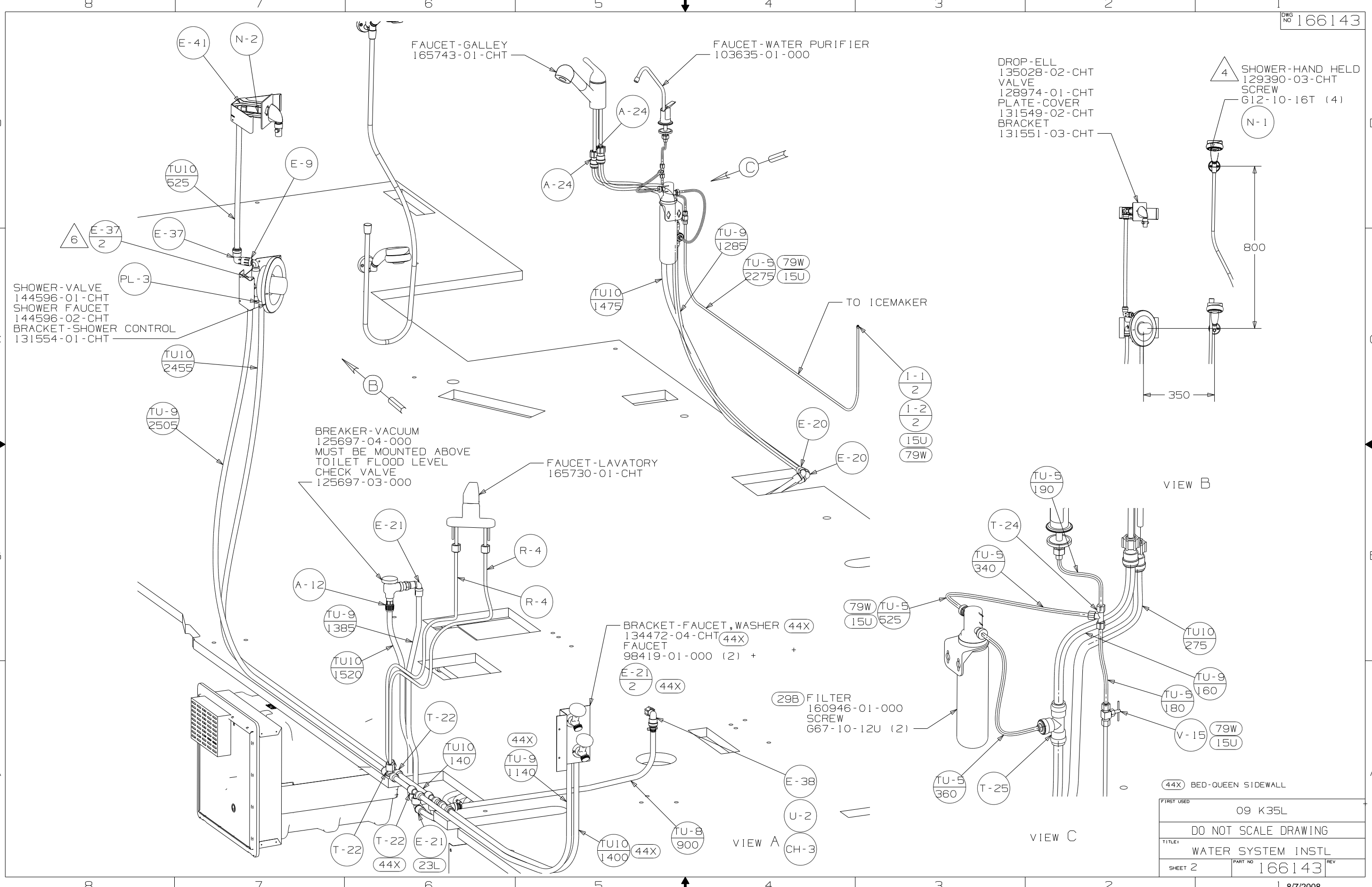
5

4

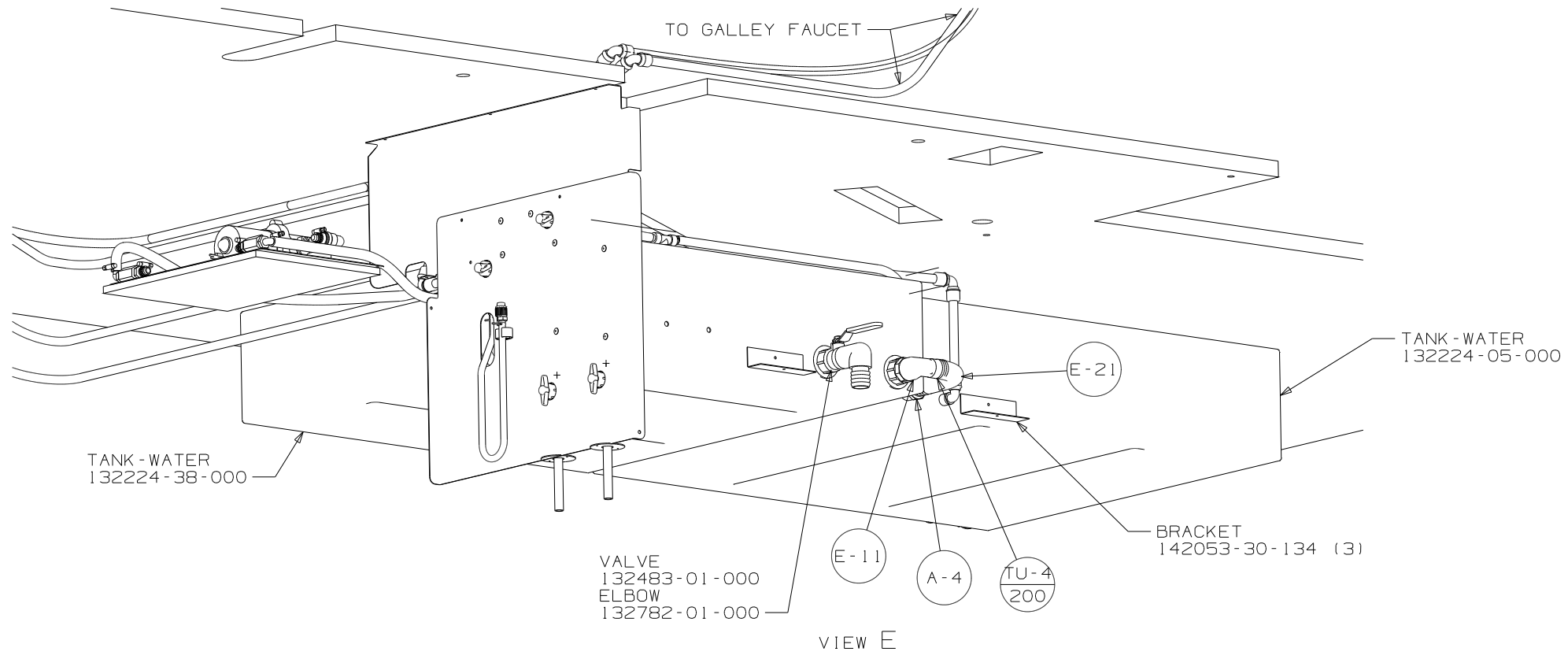
3

2

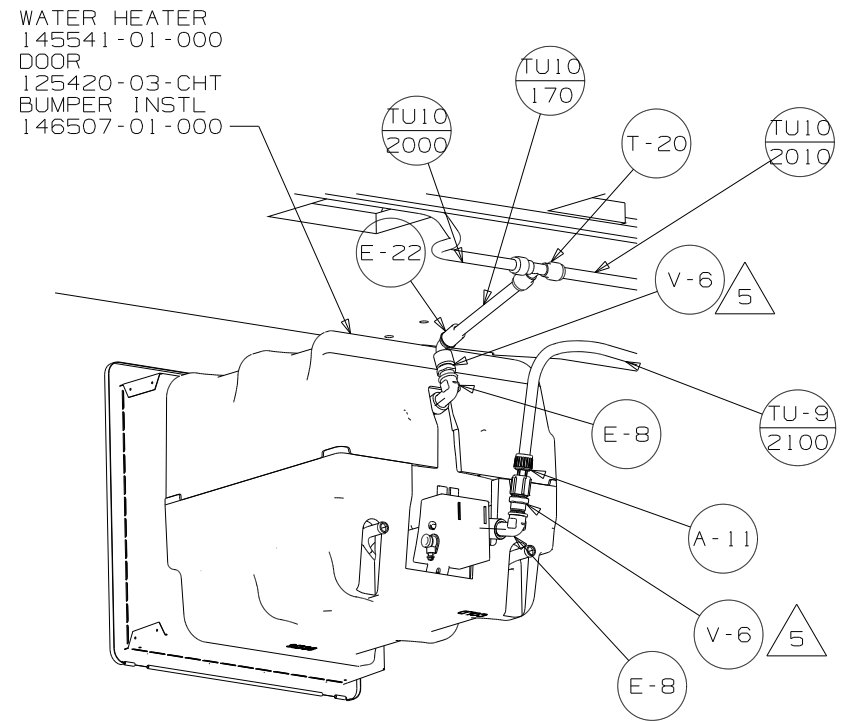
1



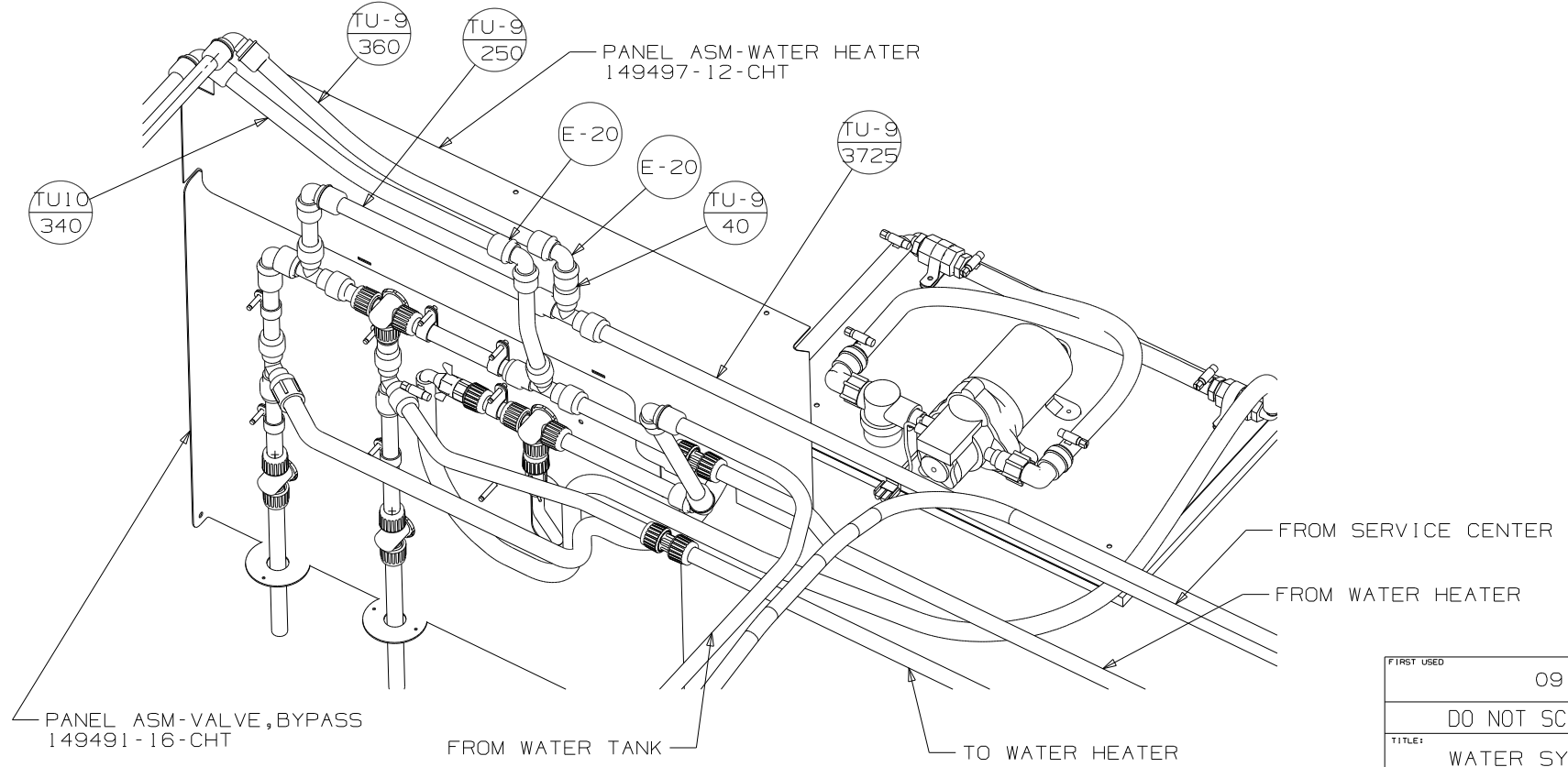
FIRST USED	09 K35L
TITLE	DO NOT SCALE DRAWING
TITLE	WATER SYSTEM INSTL
SHEET 2	PART NO 166143 REV



VIEW E

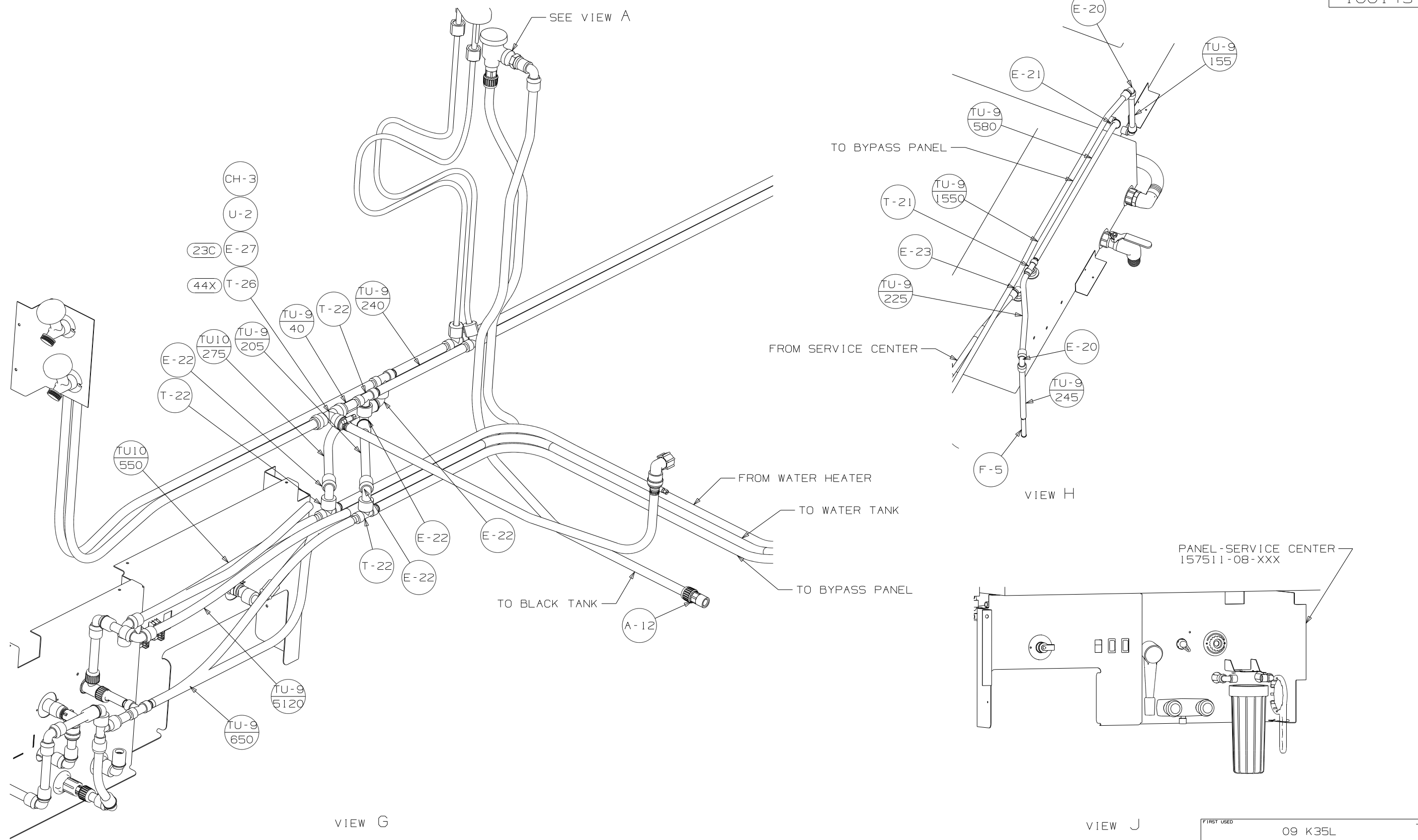


VIEW D



VIEW F

FIRST USED	09 K35L
DO NOT SCALE DRAWING	
TITLE:	WATER SYSTEM INSTL
SHEET 3	PART NO 166143 REV



VIEW G

VIEW H

VIEW J

PANEL - SERVICE CENTER
157511-08-XXX

FIRST USED	09 K35L		
TITLE:	DO NOT SCALE DRAWING		
SHEET 4	PART NO	166143	REV
			1 8/7/2008