

FRONT OF COACH

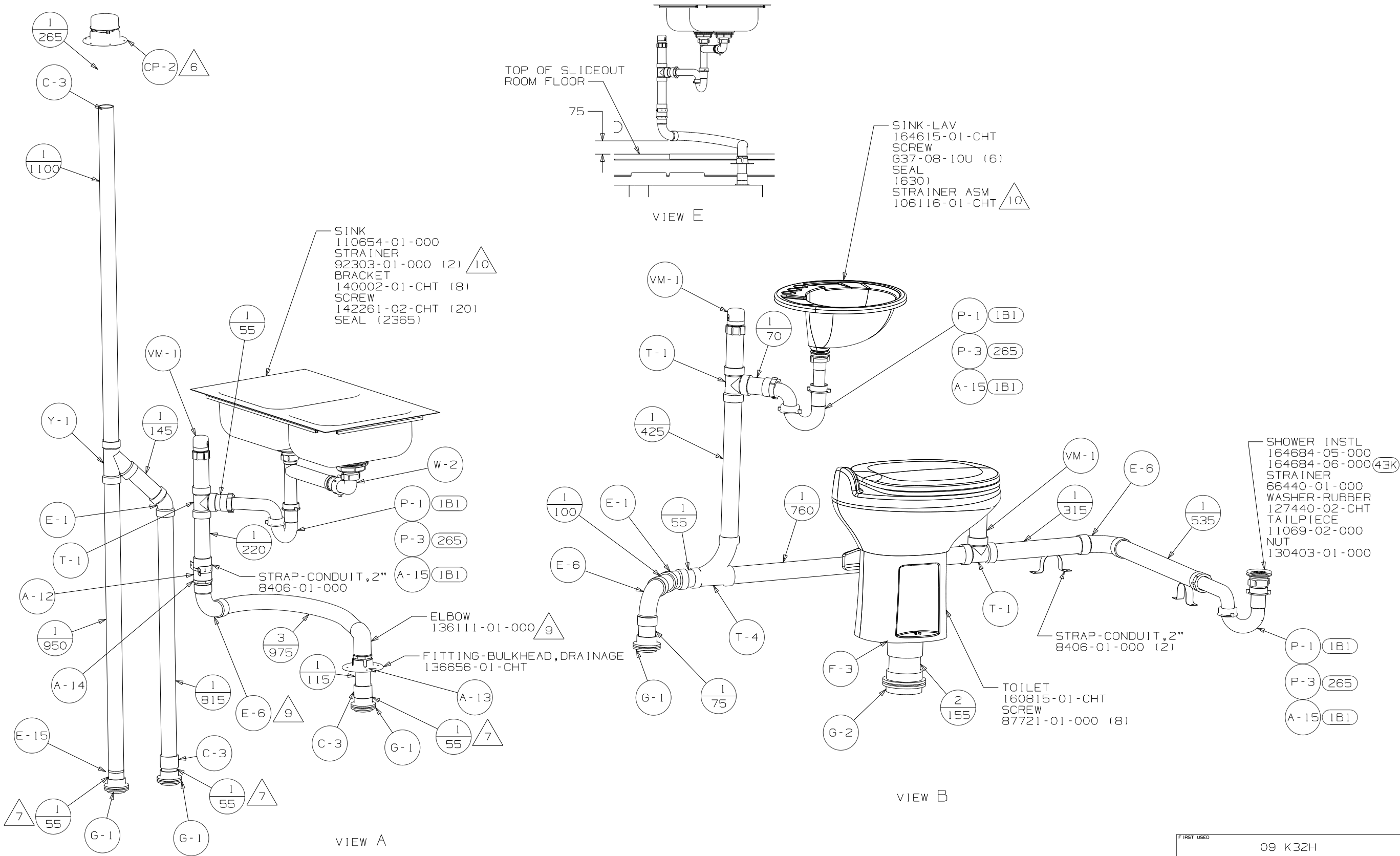
- (43K) SHOWER SEAT-FOLD-DOWN
- (1B1) CODES/STANDARDS USA
- (265) CODES/STANDARDS-CSA/CMVSS

10. USE SMOOTH PLUMBERS PUTTY 167459-01-000 TO SEAL STRAINER (.2 PER STRAINER).
9. APPLY PRIMER 126427-02-000 AND CEMENT 126427-01-000 BETWEEN ELBOW AND FLEX PIPE.
8. SECURE DRAINAGE PIPES TO CABINET USING WIRE TIE 108046-02-000, AND SCREW G67-10-12B AT INTERVALS OF NOT MORE THAN 4 FEET APART.
7. SECURE VENT PIPE TO FLOOR WITH CLAMP 62401-02-000 (2), SCREW G67-10-12B (2), BRACKET 136878-01-CHT (2).
6. VENT PIPE MUST PROJECT 51 MIN AND 64 MAX ABOVE ROOF FOR PROPER FIT AND FUNCTION.
5. SEAL AROUND SHOWER WITH SILICONE.
4. ATTACH TANK BRACKET TO RISER.
3. ALL PIPE AND FITTINGS TO BE ASSEMBLED WITH SOLVENT 4020-01-000 (USA), 4020-02-000 (CAN)
2. SLOPE OF TRAP ARM MUST BE 6 PER 305 mm.
1. SLOPE OF HORIZONTAL PIPING TO BE MINIMUM OF 3 PER 305 mm.

NOTES:

<b>WINNEBAGO</b>		COPYRIGHT 2008 WINNEBAGO INDUSTRIES, INC.	
D/FR	ORIG. DATE	ALL DIMENSIONS ARE IN MILLIMETERS	
CHKR		FIRST USED	
P.E.		09 K32H	
M.E.		UNSPECIFIED TOLERANCES ARE:	
DSNR		MATERIAL:	
		WHOLE DIM (X)	: 3
		ONE-PLACE (X.X)	: 1.5
		TWO-PLACE (X.XX)	: 0.50
		ANGLE	: 1°
		THIRD ANGLE PROJECTION	
DO NOT SCALE DRAWING			
TITLE: DRAINAGE SYSTEM INSTL			
SHEET 1 OF 3	PART NO	165512	REV

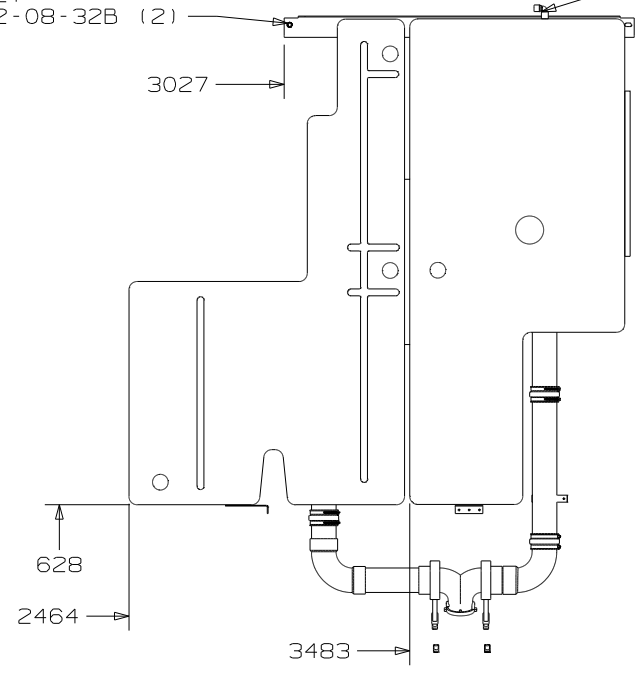
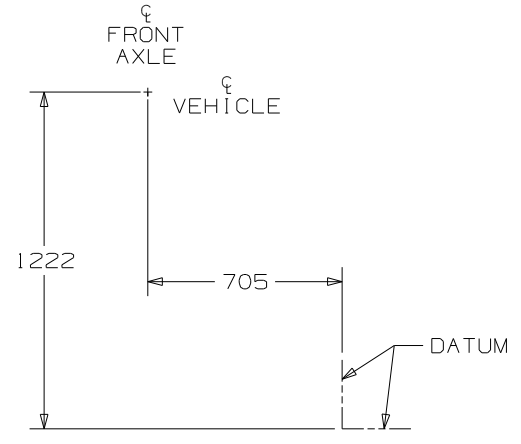
(X-X)  
FOR  
DRAINAGE  
CALLOUTS  
SEE DWG NO  
116229-01-000



FIRST USED	09 K32H	
TITLE:	DO NOT SCALE DRAWING	
	DRAINAGE SYSTEM INSTL	
SHEET 2	PART NO	165512
	REV	

BRACKET-TANK, HOLDING  
162818-01-CHT  
BOLT  
C12-08-32B (2)

E-21



VIEW C

VALVE-SEWER  
144728-01-000  
CLAMP-HOSE  
62401-09-000  
LABEL-DRIP VALVE  
147845-01-CHT

BRACKET-ANGLE, W/HOLES  
94756-02-CHT

PLATFORM-HOLDING TANK  
126714-42-000

CLAMP  
141443-01-000

FOAM  
100619-04-000  
100 X 200

FOAM  
100619-05-000  
200 X 600

TANK-HOLDING  
161396-02-CHT

4 BRACKET-ANGLE, W/HOLES  
94756-02-CHT

PLATFORM-HOLDING TANK  
126714-08-000

N-3

FOAM  
100619-05-000  
200 X 600

TANK-HOLDING  
161397-02-CHT

E-13

2  
275

H-1

V-11

2  
85

E-11

C-2

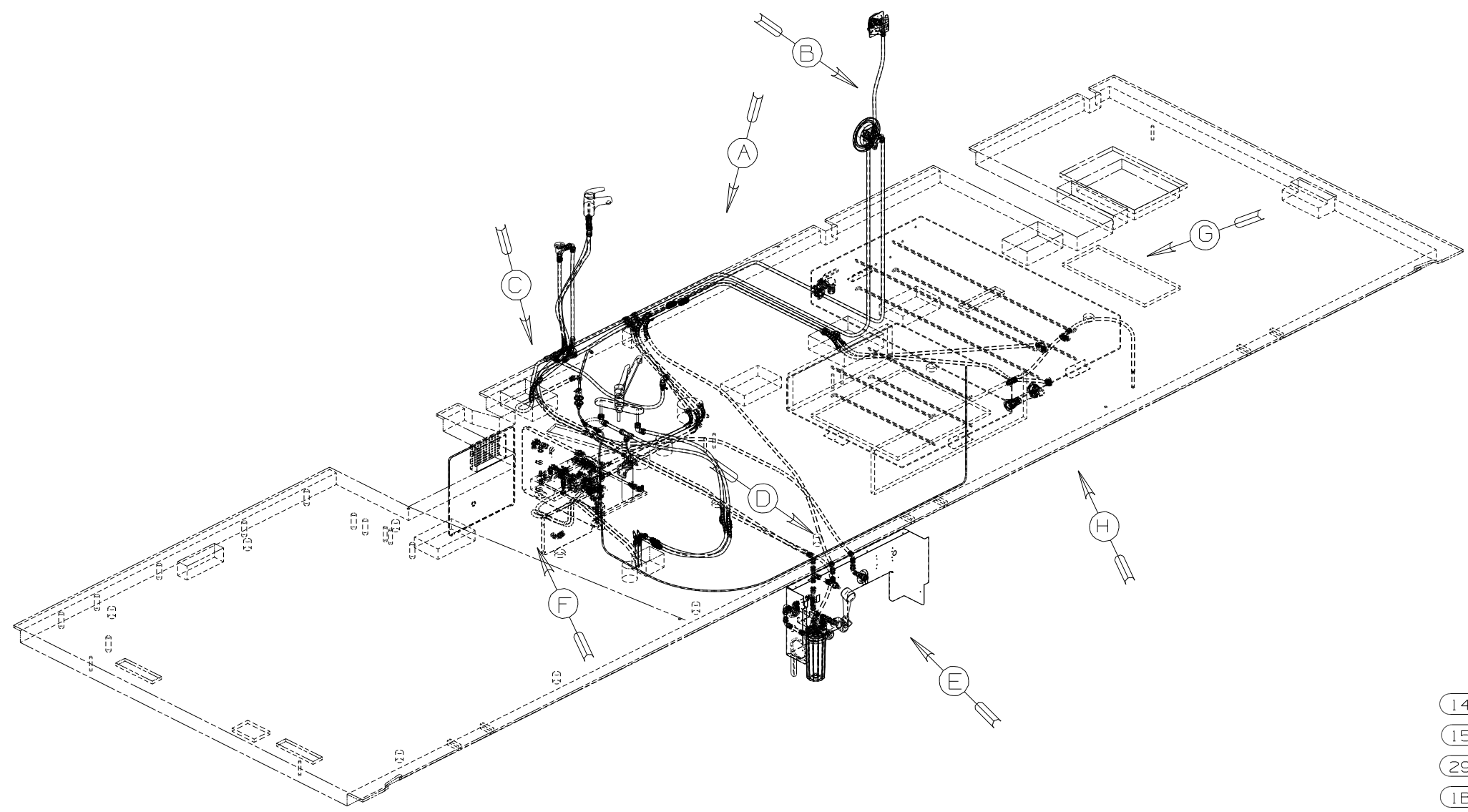
2  
535

C-2

N-5

VIEW D

FIRST USED	09 K32H	
TITLE	DO NOT SCALE DRAWING	
	DRAINAGE SYSTEM INSTL	
SHEET 3	PART NO	165512
	REV	



- (144) REFRIGERATOR-DOUBLE DOOR
- (15U) REFRIGERATOR/FRZR-W/ICEMAKER
- (29B) WATER PURIFIER
- (1B2) WTR HTR-10 GAL/ELEC/LP/MTR/ID
- (53E) WATER SYS WINTERIZATION PKG

- △6 USE IN PLACE OF SUPPLIED SCREWS TO ATTACH BRACKET TO WALL.
  - △5 ADD TEFLON TAPE 10405-02-000.
  - △4 ADD TEFLON TAPE 10405-01-000.
3. ALL TUBING TO BE SECURED AT 1200 INTERVALS MAXIMUM WITH CLAMP 10495-01-000 AND SCREW G67-10-12B OR EQUIVALENT.
  2. TUBING TO BE INSTALLED WITH SUFFICIENT SLOPE TO PROVIDE DRAINAGE TO NEAREST VALVE.
  1. PLASTIC FITTINGS TO BE SEALED WITH SEALANT 84456-01-000.

NOTES:

(X-X)  
FOR  
WATER  
CALLOUTS  
SEE DWG NO  
116230-01-000

<b>WINNEBAGO</b>		COPYRIGHT 2008 WINNEBAGO INDUSTRIES, INC.	
DFTR	ORIG. DATE	ALL DIMENSIONS ARE IN MILLIMETERS	
CHKR		FIRST USED	
P.E.		09 K32H	
M.E.		UNSPECIFIED TOLERANCES ARE:	
DSNR		MATERIAL:	
		WHOLE DIM (X)	: 3
		ONE-PLACE (X.X)	: 1.5
		TWO-PLACE (X.XX)	: 0.50
		ANGLE	: 1°
THIRD ANGLE PROJECTION		DO NOT SCALE DRAWING	
TITLE: WATER SYSTEM INSTL			
SHEET 1 OF 4	PART NO	165511	REV
REF:	12/8/2008		

DROP-ELL  
135028-02-CHT  
VALVE  
128974-01-CHT  
SHOWER HEAD  
129390-03-CHT  
SCREW  
G12-10-16T (4)

FAUCET-GALLEY, SGL CONTROL  
165743-01-CHT

FAUCET-WATER PURIFIER  
103635-01-000

PLATE  
131549-01-CHT  
SPACER  
130041-03-CHT

FAUCET-SHOWER  
144596-01-CHT  
144596-02-CHT  
BRACKET  
131554-01-CHT

FILTER-KIT  
160946-01-000  
SCREW  
G67-10-12U (2)

FAUCET-LAV  
165730-01-CHT

BREAKER-VACUUM  
125697-04-000  
MUST BE MOUNTED ABOVE  
TOILET FLOOD LEVEL  
CHECK VALVE  
125697-03-000

WATER HEATER  
145541-01-000  
DOOR  
125420-03-CHT  
BUMPER INSTL  
146507-01-000

BRACKET  
131551-01-CHT

E-21  
2

PL-3

TU10  
525

A-12

TU-9  
1900

A-10

A-10

CH-3

U-2

TU10  
730

A-24

A-24

E-21

TU-9  
730

TU-9  
1540

TU10  
3450

A-10

A-10

TU10  
460

TU-9  
405

S-1

S-1

S-1

TU-8  
900

T-20

S-1

TU-9  
40

T-26

U-2

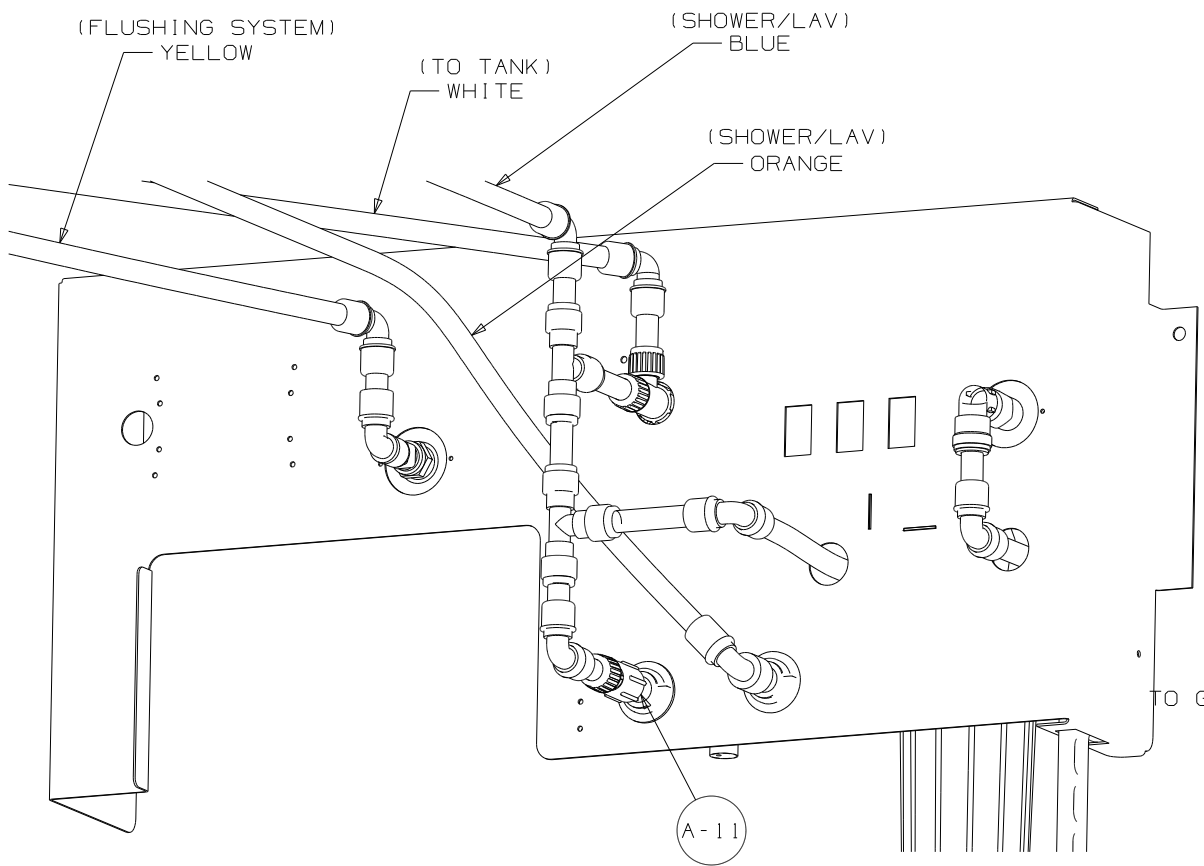
CH-3

VIEW C

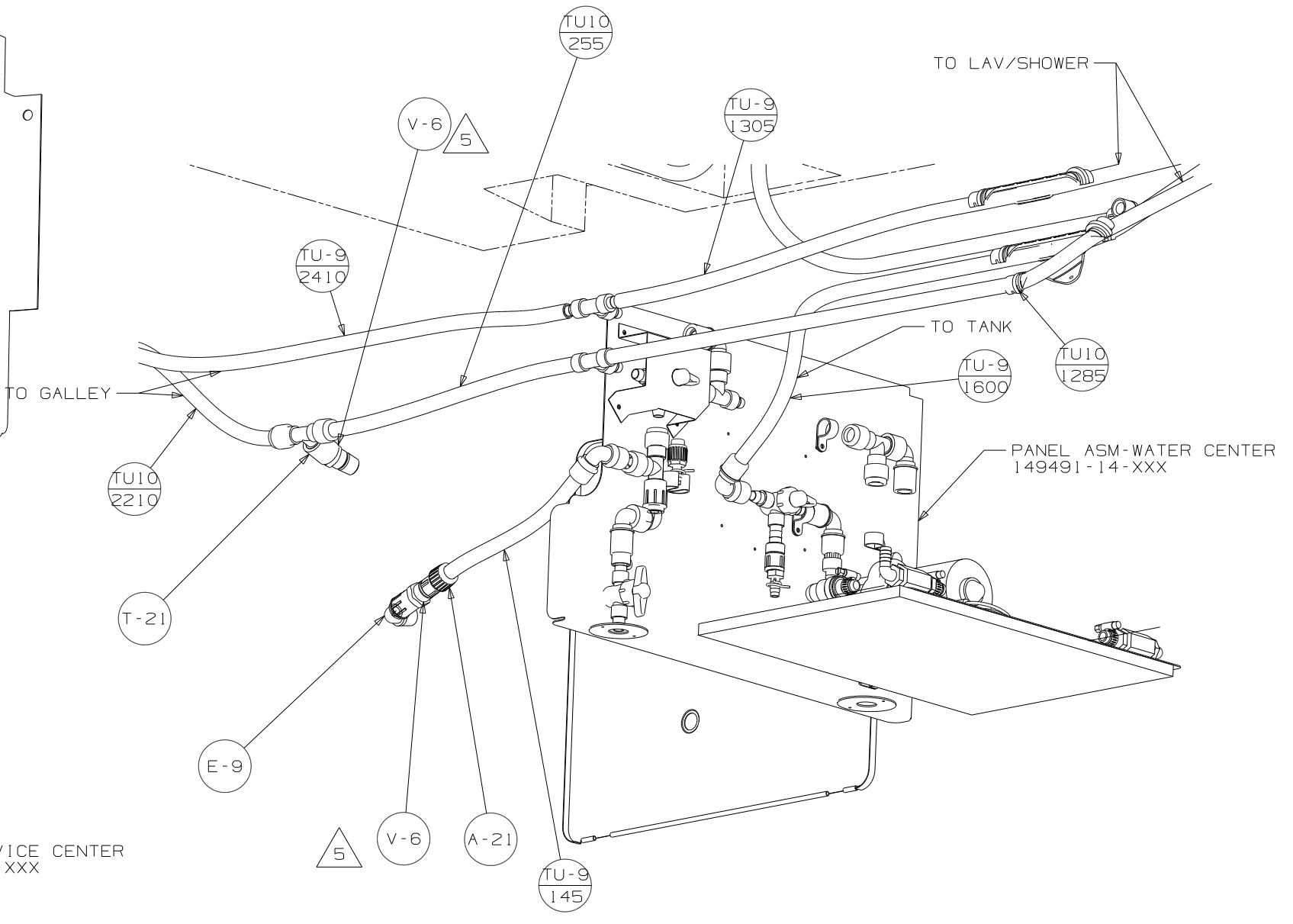
VIEW B

VIEW A

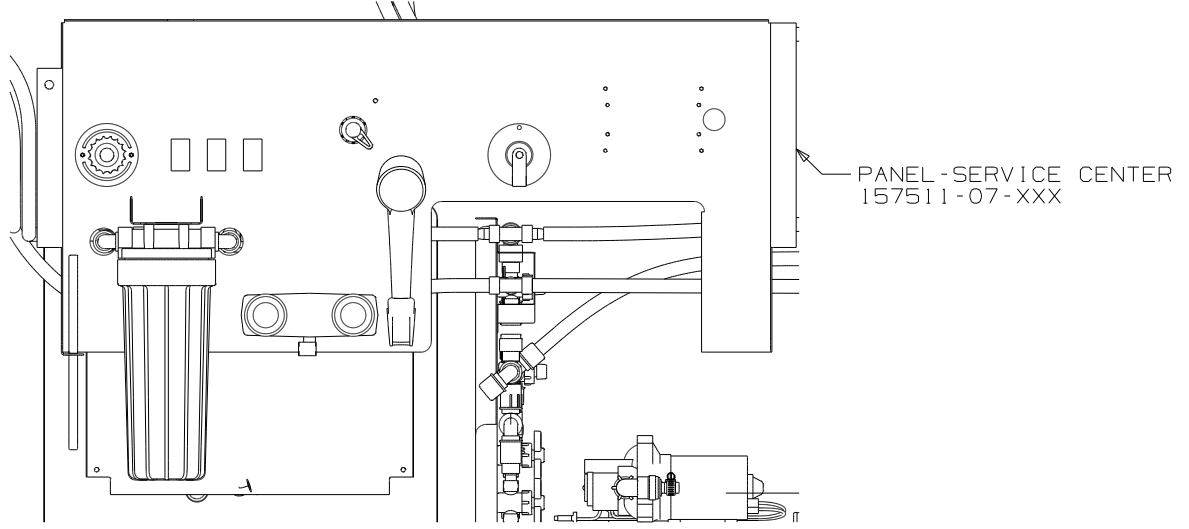
FIRST USED	09 K32H		
TITLE:	DO NOT SCALE DRAWING		
TITLE:	WATER SYSTEM INSTL		
SHEET 2	PART NO	165511	REV



VIEW D

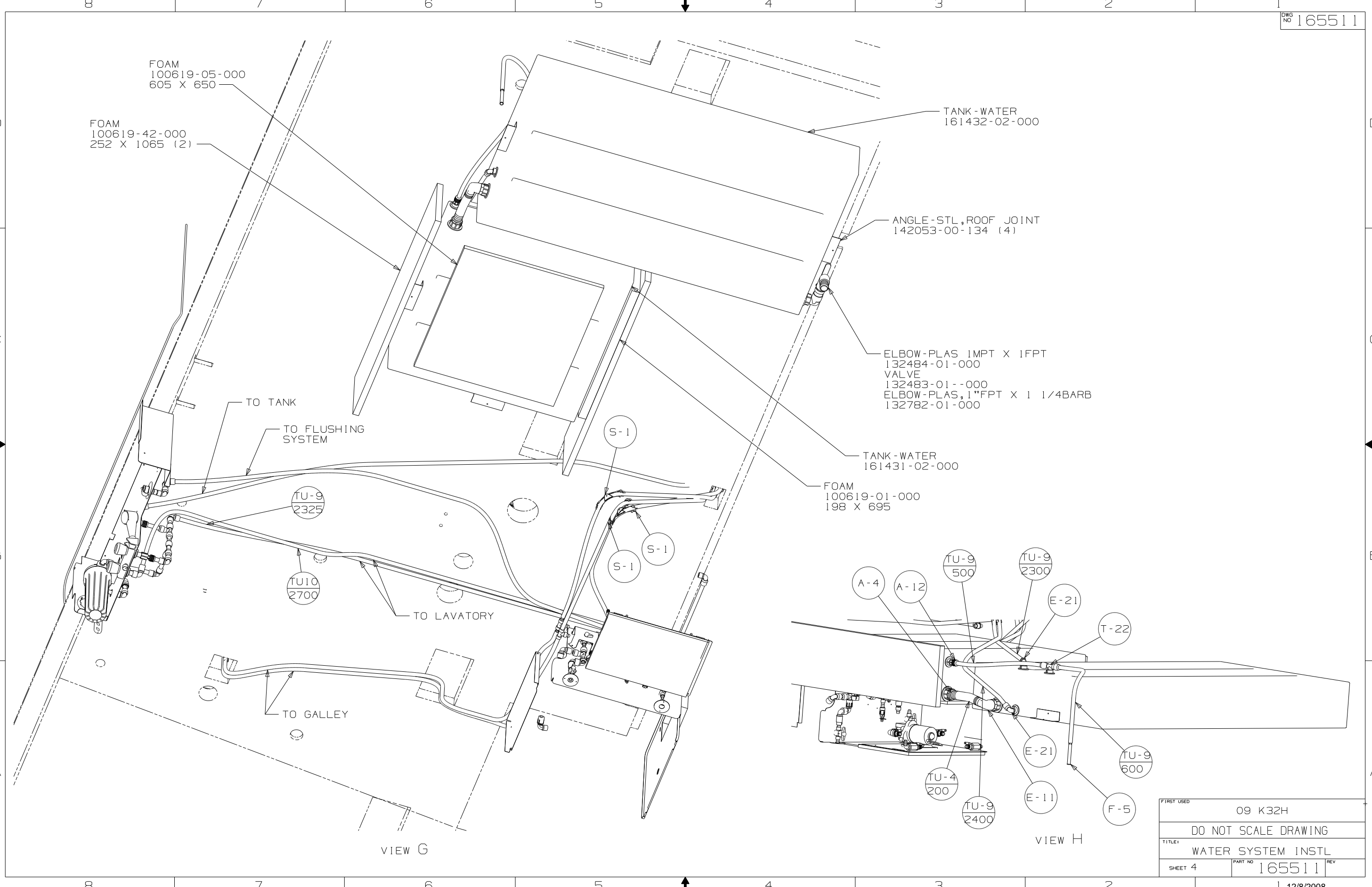


VIEW F  
PANEL NOT SHOWN



VIEW E

FIRST USED	09 K32H		
TITLE	DO NOT SCALE DRAWING		
SHEET	3	PART NO	165511
REV			



FIRST USED	09 K32H		
TITLE:	DO NOT SCALE DRAWING		
	WATER SYSTEM INSTL		
SHEET 4	PART NO	165511	REV