

FRONT
OF
COACH

- NOTES:
9. USE SMOOTH PLUMBERS PUTTY 167459-01-000 TO SEAL STRAINER (.2 PER STRAINER).
 8. SECURE PIPES TO CABINET USING WIRE TIE 108046-02-000 AND SCREW G67-10-12U (8).
 7. SEE DWG 61607-01-000 FOR INSTL OF GROMMET.
 6. VENT PIPE MUST PROJECT 51 MIN AND 64 MAX ABOVE ROOF FOR PROPER FIT AND FUNCTION.
 5. SEAL AROUND SHOWER WITH SILICONE.
 4. SECURE PIPES TO FLOOR USING BRACKET 136878-01-CHT (3) CLAMP 62401-02-000 (3) AND SCREW G67-10-12B (3).
 3. ALL PIPE AND FITTINGS TO BE ASSEMBLED WITH SOLVENT 4020-01-000.
 2. SLOPE OF TRAP ARM MUST BE 6 PER 305 mm.
 1. SLOPE OF HORIZONTAL PIPING TO BE MIN 3 PER 305 mm.

- (54E) WASHER/DRYER
- (21M) WASHER/DRYER PREP
- (1B1) CODES/STANDARDS USA
- (265) CODES/STDS-CSA/CMVSS

WINNEBAGO		COPYRIGHT 2008 WINNEBAGO INDUSTRIES, INC.	
DFT	ORIG. DATE	ALL DIMENSIONS ARE IN MILLIMETERS	
CHKR		FIRST USED	
P.E.		09 J38N	
M.E.		UNSPECIFIED TOLERANCES ARE:	
DSNR		MATERIAL:	
		WHOLE DIM (X) :	5
		ONE-PLACE (X.X) :	
		TWO-PLACE (X.XX) :	
		ANGLE :	
THIRD ANGLE PROJECTION		DO NOT SCALE DRAWING	
TITLE: DRAINAGE SYSTEM INSTL			
SHEET 1 OF 3	PART NO	165832	REV

(X-X)
FOR
DRAINAGE
CALLOUTS
SEE DWG NO
116229-01-000

8

7

6

5

4

3

2

1

8

7

6

5

4

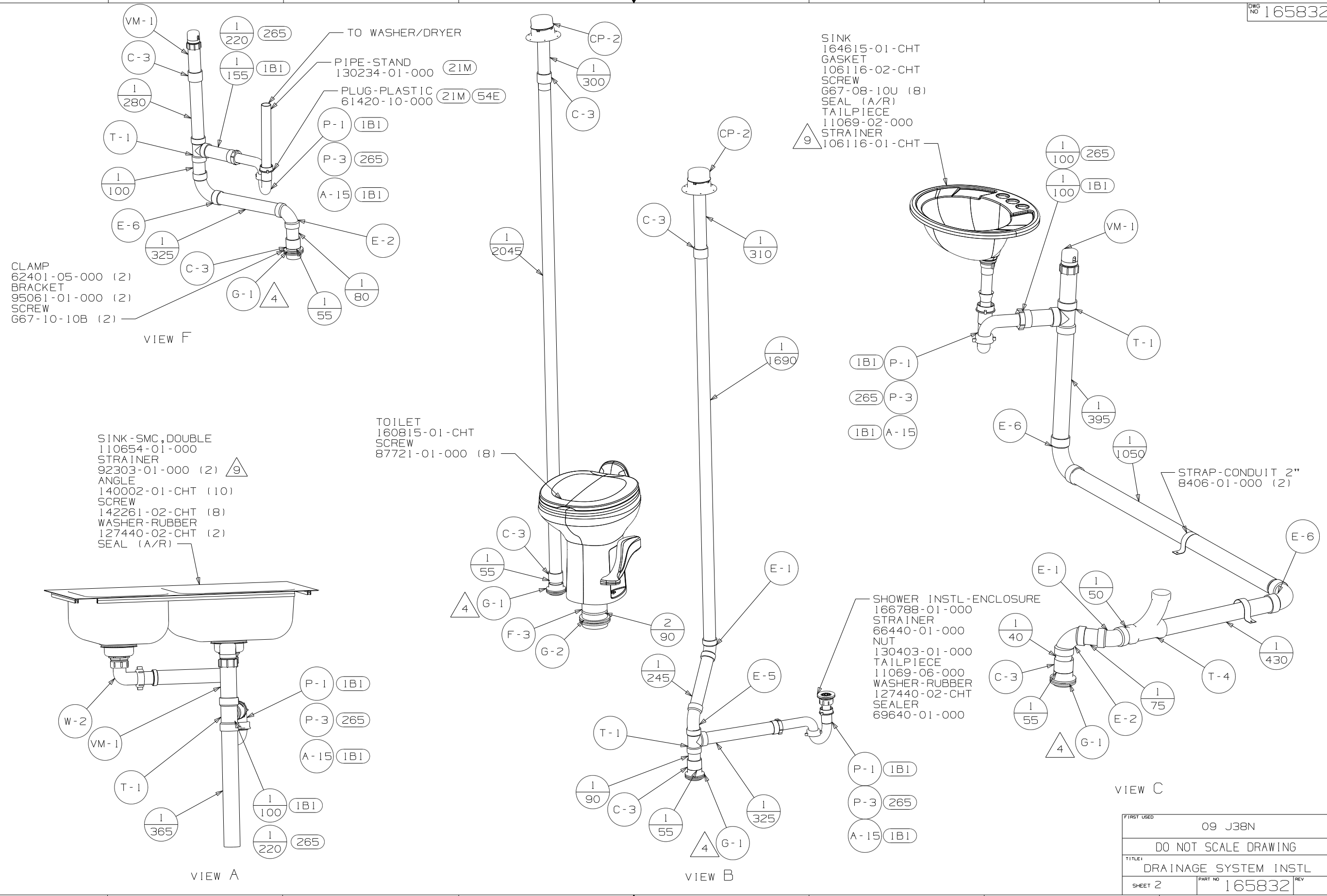
3

2

1

REF:

10/14/2008



CLAMP
62401-05-000 (2)
BRACKET
95061-01-000 (2)
SCREW
667-10-10B (2)

VIEW F

SINK - SMC, DOUBLE
110654-01-000
STRAINER
92303-01-000 (2) 9
ANGLE
140002-01-CHT (10)
SCREW
142261-02-CHT (8)
WASHER - RUBBER
127440-02-CHT (2)
SEAL (A/R)

TOILET
160815-01-CHT
SCREW
87721-01-000 (8)

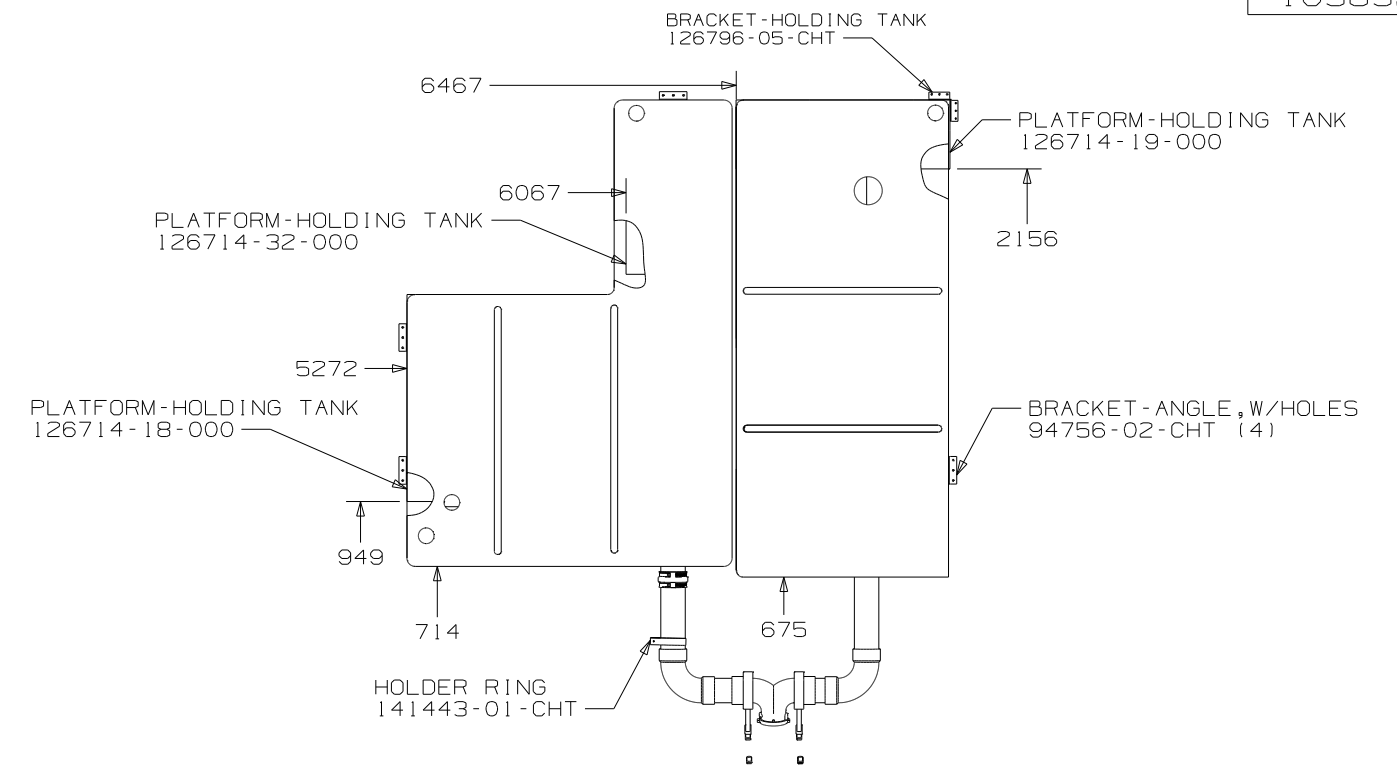
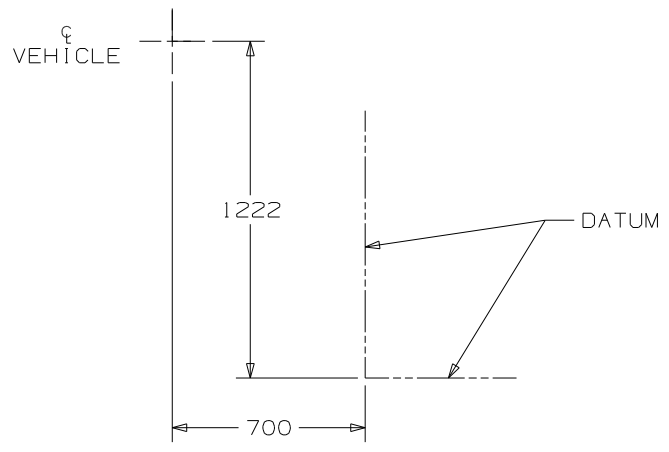
SINK
164615-01-CHT
GASKET
106116-02-CHT
SCREW
G67-08-10U (8)
SEAL (A/R)
TAILPIECE
11069-02-000
STRAINER
106116-01-CHT

1B1 P-1
265 P-3
1B1 A-15

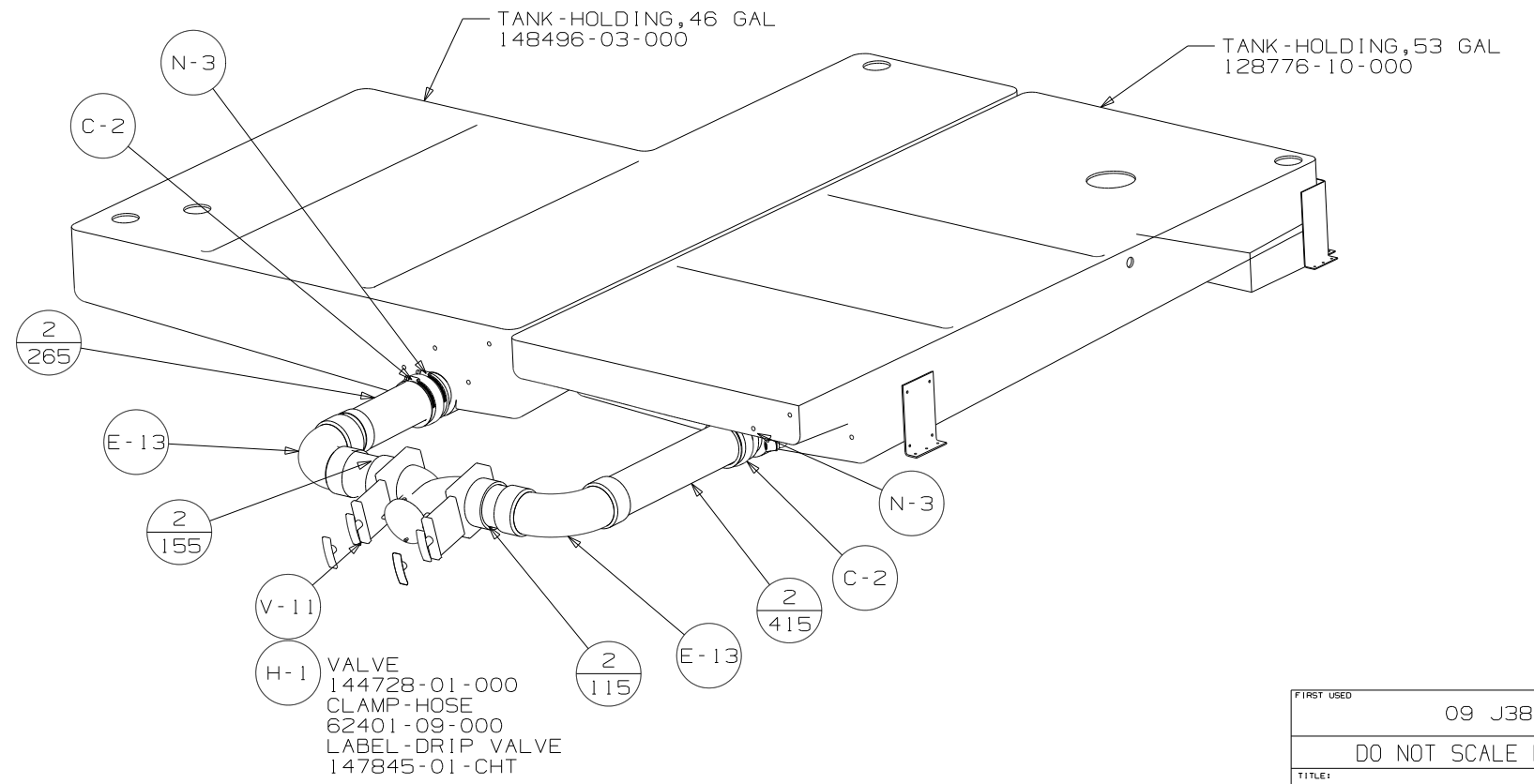
SHOWER INSTL - ENCLOSURE
166788-01-000
STRAINER
66440-01-000
NUT
130403-01-000
TAILPIECE
11069-06-000
WASHER - RUBBER
127440-02-CHT
SEALER
69640-01-000

FIRST USED	09 J38N	
TITLE	DO NOT SCALE DRAWING	
	DRAINAGE SYSTEM INSTL	
SHEET 2	PART NO	165832
	REV	

FRONT AXLE



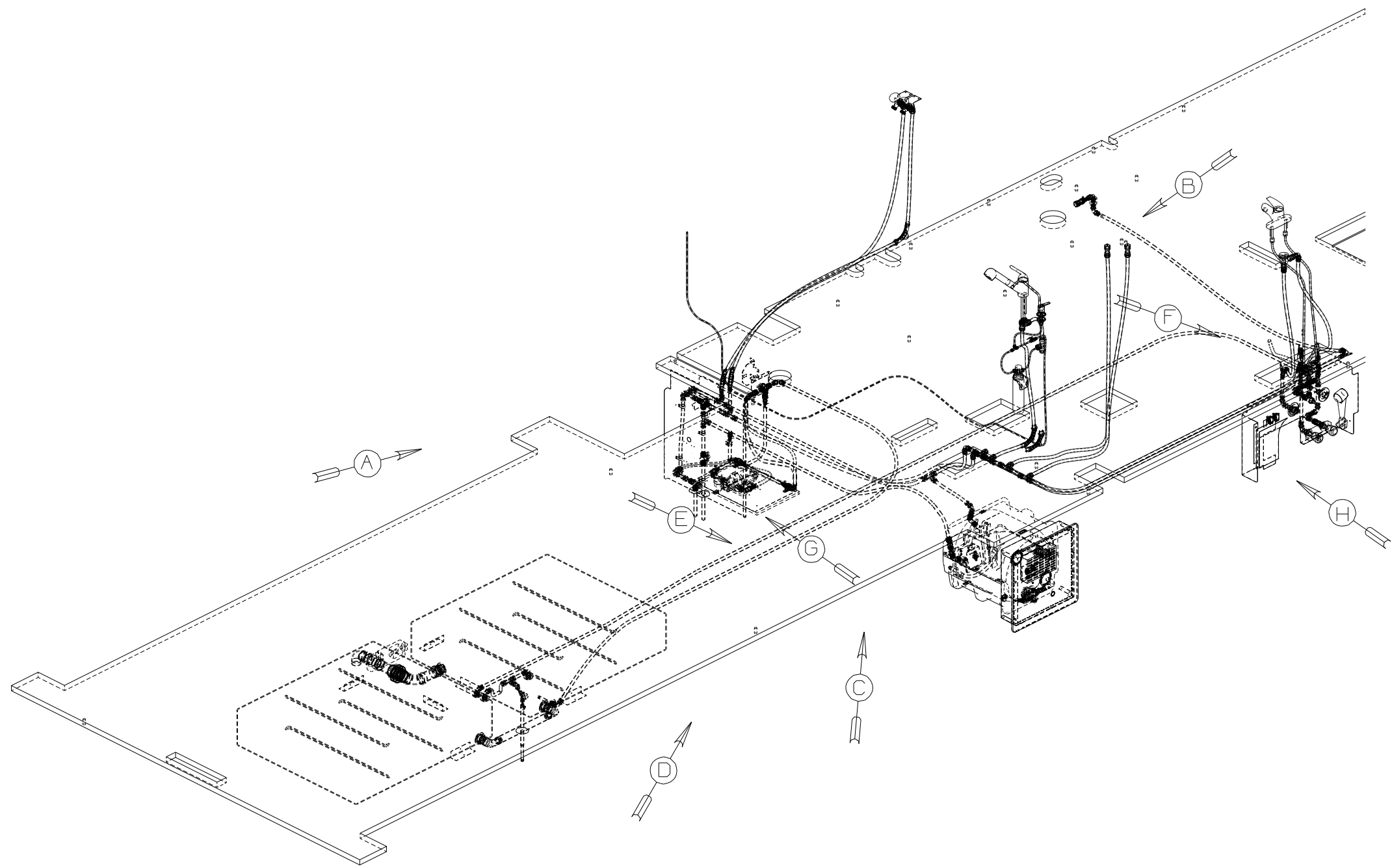
VIEW D



VIEW E

FIRST USED	09 J38N	
TITLE	DO NOT SCALE DRAWING	
	DRAINAGE SYSTEM INSTL	
SHEET 3	PART NO	REV
	165832	

8 7 6 5 4 3 2



- (144) REFRIGERATOR-DOUBLE DOOR
- (1B2) WTR HTR-10 GAL/ELEC/LP/MTR AID
- (611) WTR HTR-AUX AUTO/MOTORAID
- (29B) WATER PURIFIER
- (54E) WASHER/DRYER
- (79W) REFRIGERATOR-4 DOOR
- (15U) REFRIGERATOR/FRZR W/ICEMAKER

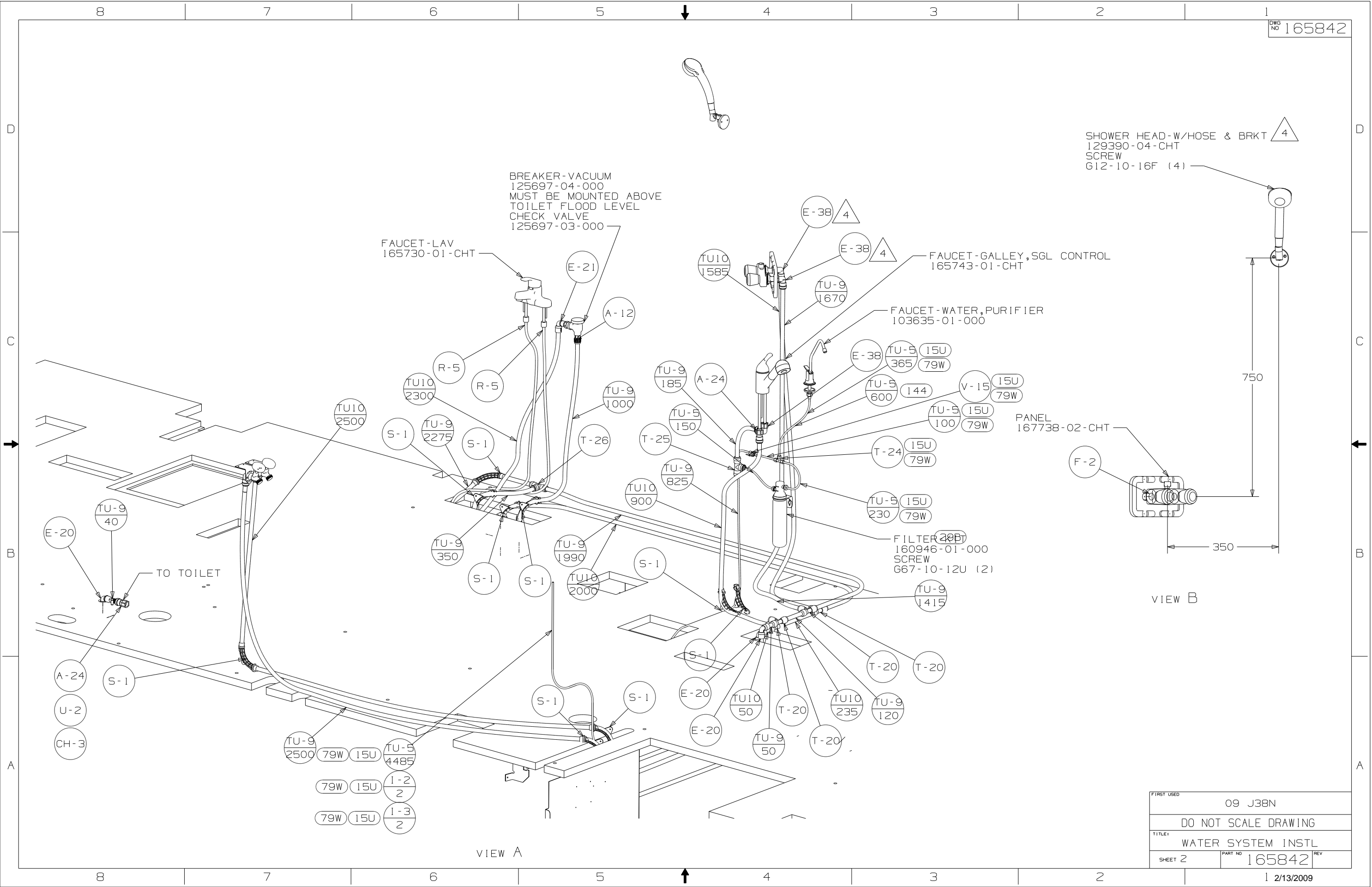
- △6 ADD TEFLON TAPE 10405-03-000.
 - △5 ADD TEFLON TAPE 10405-02-000.
 - △4 ADD TEFLON TAPE 10405-01-000.
3. ALL TUBING TO BE SECURED AT 1200 INTERVALS MAXIMUM WITH CLAMP 10495-01-000 AND SCREW G67-10-12B OR EQUIVALENT.
 2. TUBING TO BE INSTALLED WITH SUFFICIENT SLOPE TO PROVIDE DRAINAGE TO NEAREST VALVE.
 1. PLASTIC FITTINGS TO BE SEALED WITH SEALANT 84456-01-000.

NOTES:

WINNEBAGO		COPYRIGHT 2009 WINNEBAGO INDUSTRIES, INC.	
DFTR	ORIG. DATE	ALL DIMENSIONS ARE IN MILLIMETERS	
CHKR		FIRST USED	
P.E.		09 J38N	
M.E.		UNSPECIFIED TOLERANCES ARE:	
DSNR		MATERIAL:	
		WHOLE DIM (X) :	3
		ONE-PLACE (X.X) :	
		TWO-PLACE (X.XX) :	
		ANGLE :	
THIRD ANGLE PROJECTION		DO NOT SCALE DRAWING	
TITLE: WATER SYSTEM INSTL			
SHEET 1 OF 4	PART NO	165842	REV
REF:	1 2/13/2009		

(X-X)
FOR
WATER
CALLOUTS
SEE DWG NO
116230-01-000

8 7 6 5 4 3 2



BREAKER-VACUUM
 125697-04-000
 MUST BE MOUNTED ABOVE
 TOILET FLOOD LEVEL
 CHECK VALVE
 125697-03-000

FAUCET-LAV
 165730-01-CHT

SHOWER HEAD-W/HOSE & BRKT
 129390-04-CHT
 SCREW
 G12-10-16F (4)

FAUCET-GALLEY, SGL CONTROL
 165743-01-CHT

FAUCET-WATER, PURIFIER
 103635-01-000

PANEL
 167738-02-CHT

FILTER
 160946-01-000
 SCREW
 G67-10-12U (2)

VIEW A

VIEW B

FIRST USED	09 J38N	
TITLE:	DO NOT SCALE DRAWING	
	WATER SYSTEM INSTL	
SHEET 2	PART NO	165842
		REV

CABLE ASM
62421-07-000

BRACKET
142053-00-134 (6)

TANK - WATER, 40 GAL
132224-33-000

BRACKET - FAUCET, WASHER
134472-05-CHT (2)

FAUCET
98419-01-000 (2)

TANK - WATER, 40 GAL
132224-23-000

PRIMER
126427-02-000
CEMENT
126427-01-000 (USA)
126427-03-000 (CAN)

VIEW C

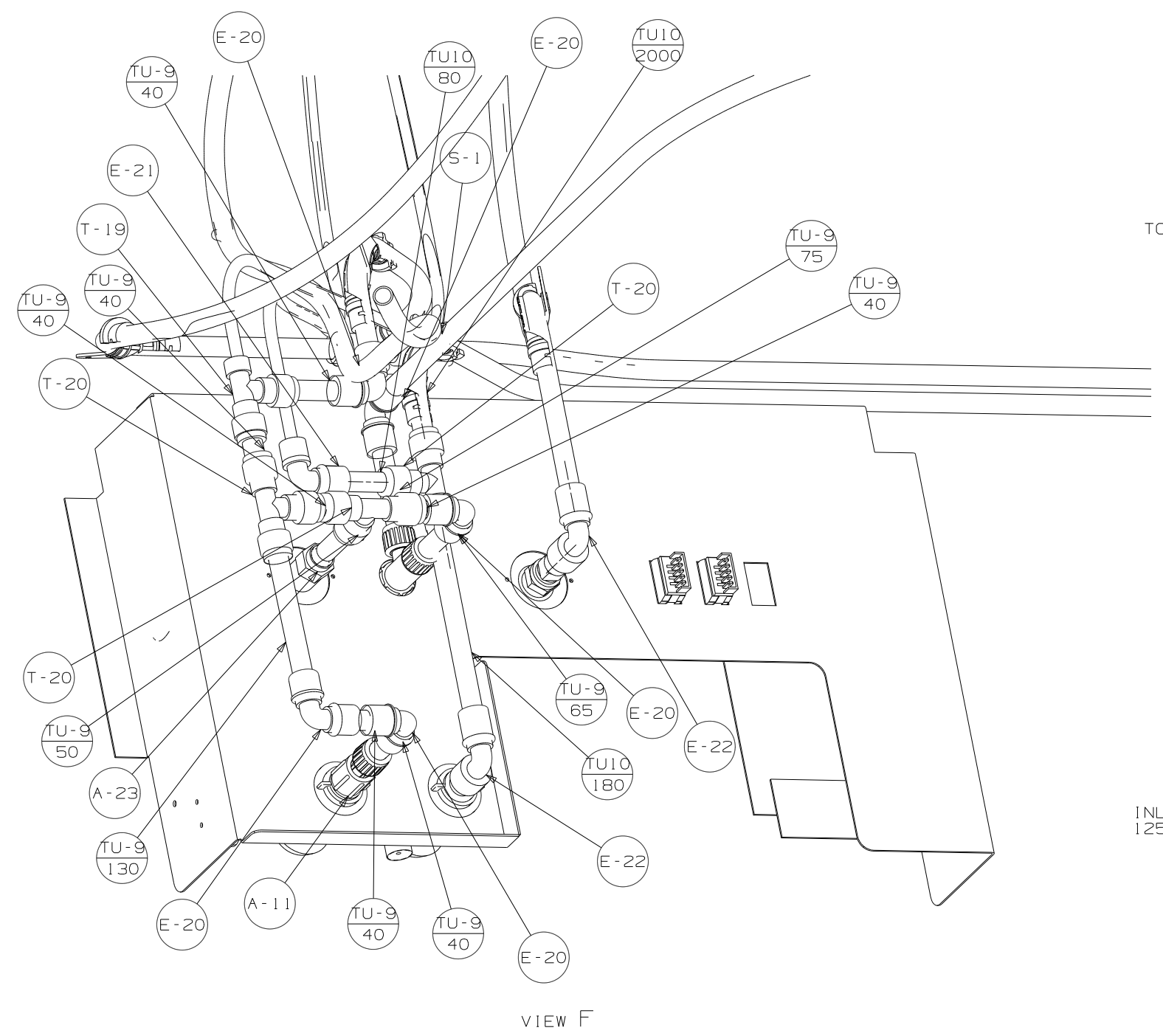
TANK FLUSH

WATER HEATER
145541-01-000 (54E) (1B2)
51393-01-000 (611)
DOOR
125420-03-CHT (54E) (1B2)
125420-04-CHT (611)

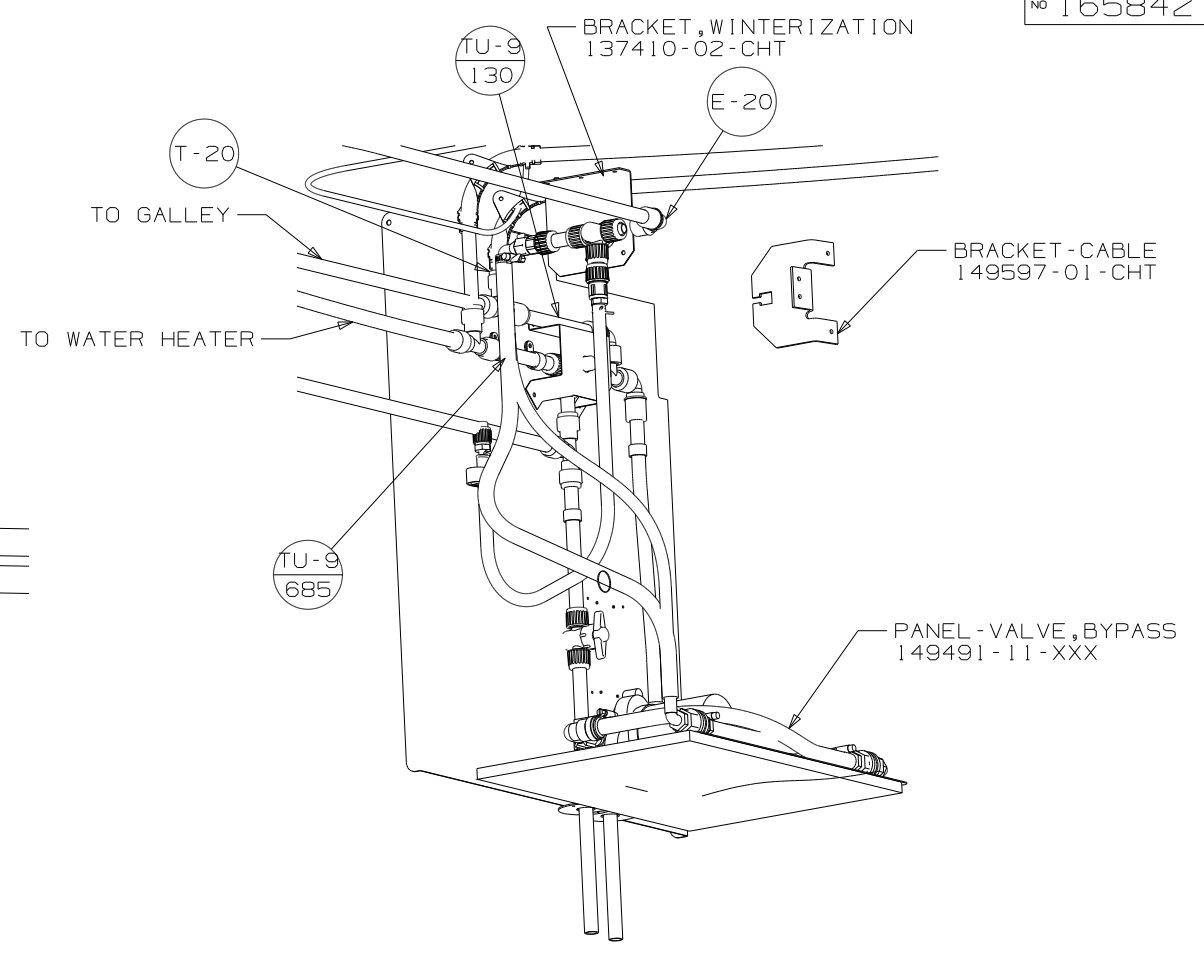
VIEW E

VIEW D

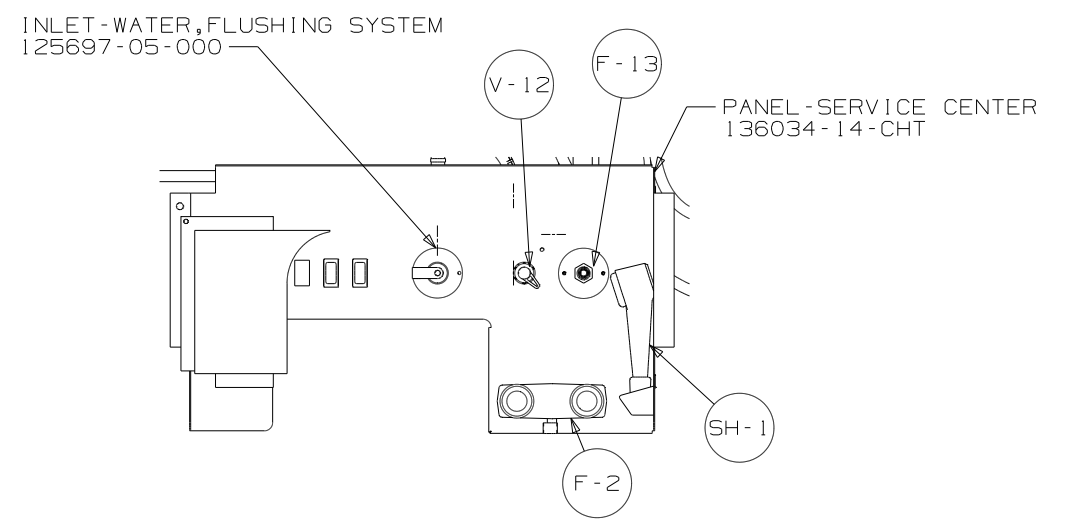
FIRST USED	09 J38N		
TITLE	DO NOT SCALE DRAWING		
TITLE	WATER SYSTEM INSTL		
SHEET 3	PART NO	165842	REV



VIEW F



VIEW G



VIEW H

FIRST USED	09 J38N		
TITLE	DO NOT SCALE DRAWING		
	WATER SYSTEM INSTL		
SHEET 4	PART NO	165842	REV