



DANGER

Danger of electrical shock, burns or death. Always remove all power sources before attempting any repair, service or diagnostic work. Power can be present from shore power, generator, inverter or battery. All power sources must be disabled and secured before performing any service.

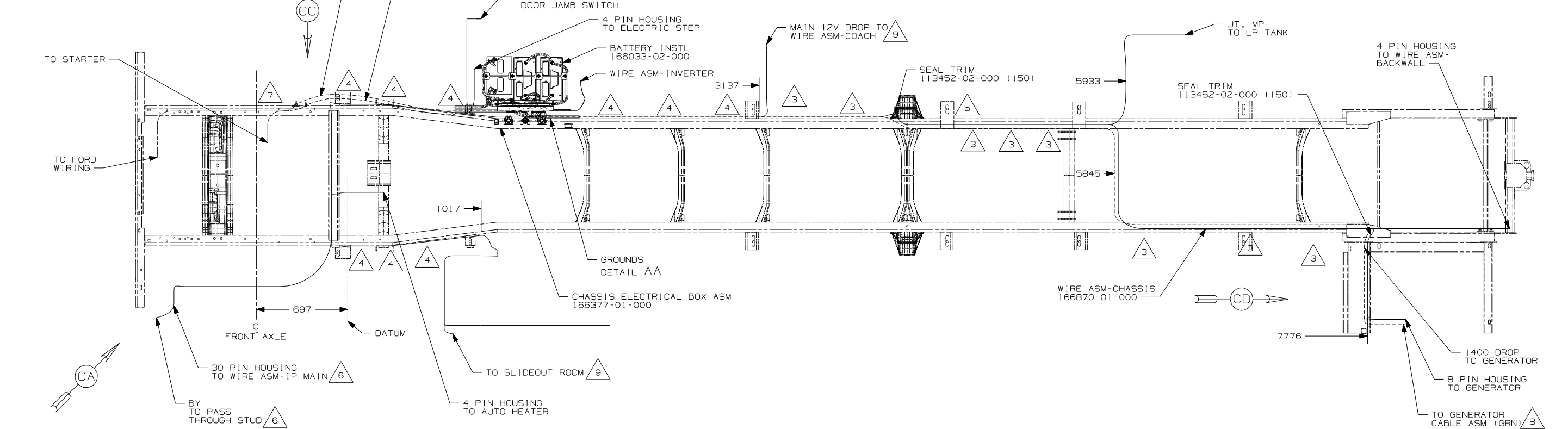


CAUTION

If you lack the skills, tools or equipment to perform diagnostic or repair work leave such work to an authorized Winnebago Industries dealer or other qualified shop.

DRAWING NO.	FEATURES
167115-01	16L 16Z
167115-02	1PS 1PV

RELEASE	REV/DATE	DWG NO
	A	167115
REV ZONE	REVISION RECORD	DATE DFR-ORIG

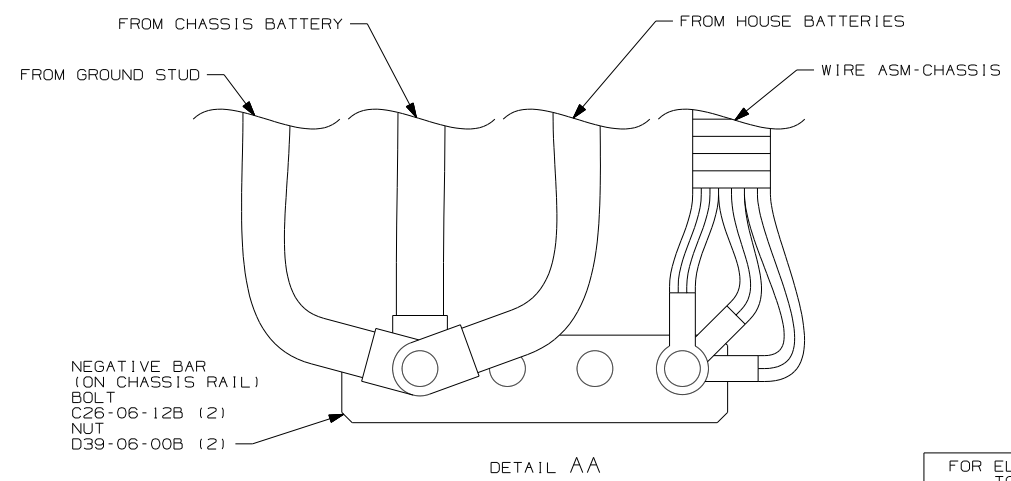


- 9 SEE WIRE ASM-CHASSIS FOR ADDITIONAL INFORMATION.
- 8 SEE BATTERY INSTL FOR ADDITIONAL INFORMATION.
- 7 SECURE SO WIRES DO NOT CONTACT EXHAUST.
- 6 SEE WIRING INSTL-FRONT END FOR ADDITIONAL INFORMATION.
- 5 ROUTE WIRES & CABLE INSIDE CHASSIS RAIL AT THIS POINT AND TO THE REAR.
- 4 CLAMP 83610-02-000, SCREW G39-08-12B.
- 3 CLAMP 83610-01-000, SCREW G39-08-12B.

2. SECURE CONDUIT 41953, TAB AS REQUIRED, OVER ALL WIRES IN CONTACT WITH SHARP EDGES.

1. LEGEND: — WINNEBAGO: - - - - - CABLE: - - - - - CHASSIS SUPPLIED WIRING.

NOTES:



- 1PV WORKHORSE 24,000#-22.5 TIRE
- 1PS WORKHORSE 22,000#-22.5 TIRE
- 16Z FORD 24,000#-22.5 ALUM WHEEL
- 16L FORD 22,000#-22.5 AL WHL
- 265 CODES/STANDARDS-CSA/CMVSS
- 1B1 CODES/STANDARDS USA

1B1 265 16L 16Z

WINNEBAGO COPYRIGHT 2006 WINNEBAGO INDUSTRIES, INC.

DFTR	ORIG. DATE
CHKR	ALL DIMENSIONS ARE IN MILLIMETERS
P.E.	
M.E.	FIRST USED
DSNR	09 J35Z

UNSPECIFIED TOLERANCES ARE: MATERIAL:

WHOLE DIM (X) : 1

ONE-PLACE (X.X) : 1

TWO-PLACE (X.XX) : 1

ANGLE : 1

THIRD ANGLE PROJECTION

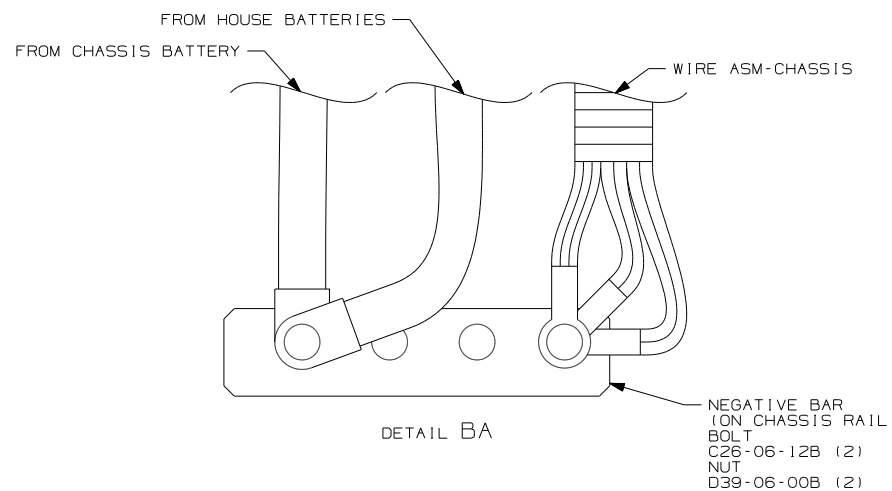
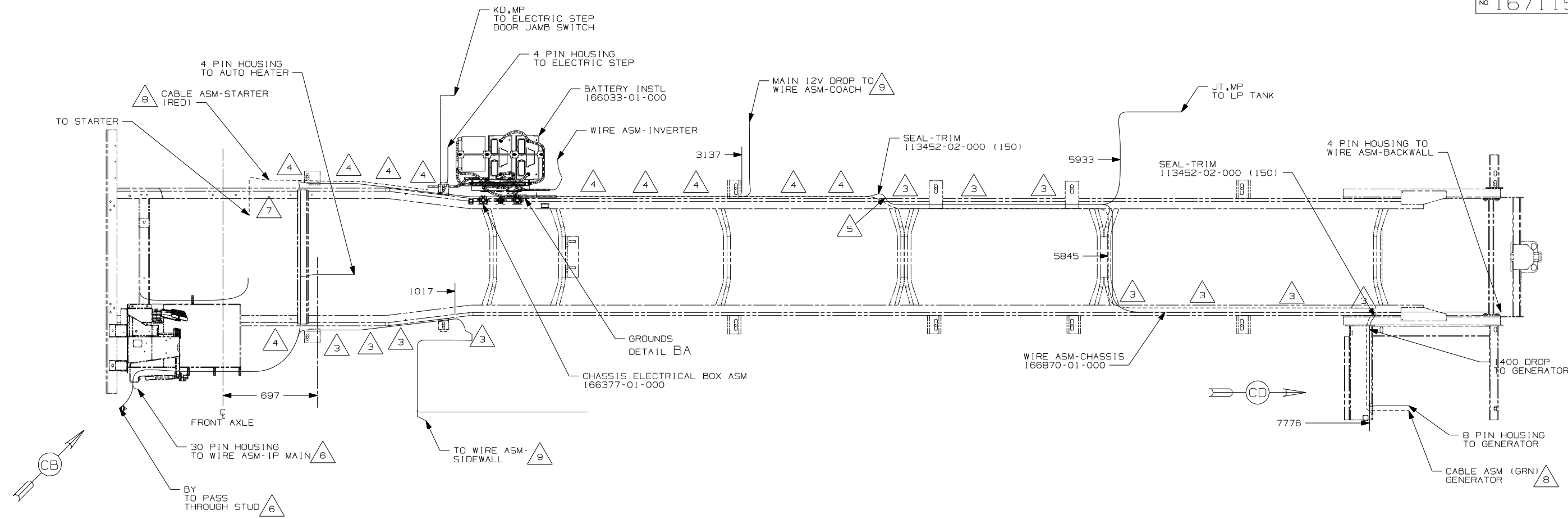
DO NOT SCALE DRAWING

TITLE: WIRING INSTL-CHASSIS

SHEET 1 OF 3 PART NO 167115 REV

FOR ELECTRICAL TORQUE SPECIFICATIONS SEE DWG NO. 128783-01-000

X-X FOR ELECTRICAL CALLOUTS SEE DWG NO. 121339-01-000



- 9 SEE WIRE ASM-CHASSIS FOR ADDITIONAL INFORMATION.
- 8 SEE BATTERY INSTL FOR ADDITIONAL INFORMATION.
- 7 SECURE SO WIRES DO NOT CONTACT EXHAUST.
- 6 SEE WIRING INSTL-FRONT END FOR ADDITIONAL INFORMATION.
- 5 ROUTE WIRES & CABLE INSIDE CHASSIS RAIL AT THIS POINT AND TO THE REAR.
- 4 CLAMP 83610-03-000, SCREW G39-08-12B.
- 3 CLAMP 83610-01-000, SCREW G39-08-12B.

2. SECURE CONDUIT 41953-09, -10, -11, -13, AND -14 OVER ALL WIRES IN CONTACT WITH SHARP EDGES.

1. LEGEND: ——— WINNEBAGO: - - - - - CABLE: - - - - - CHASSIS SUPPLIED WIRING.

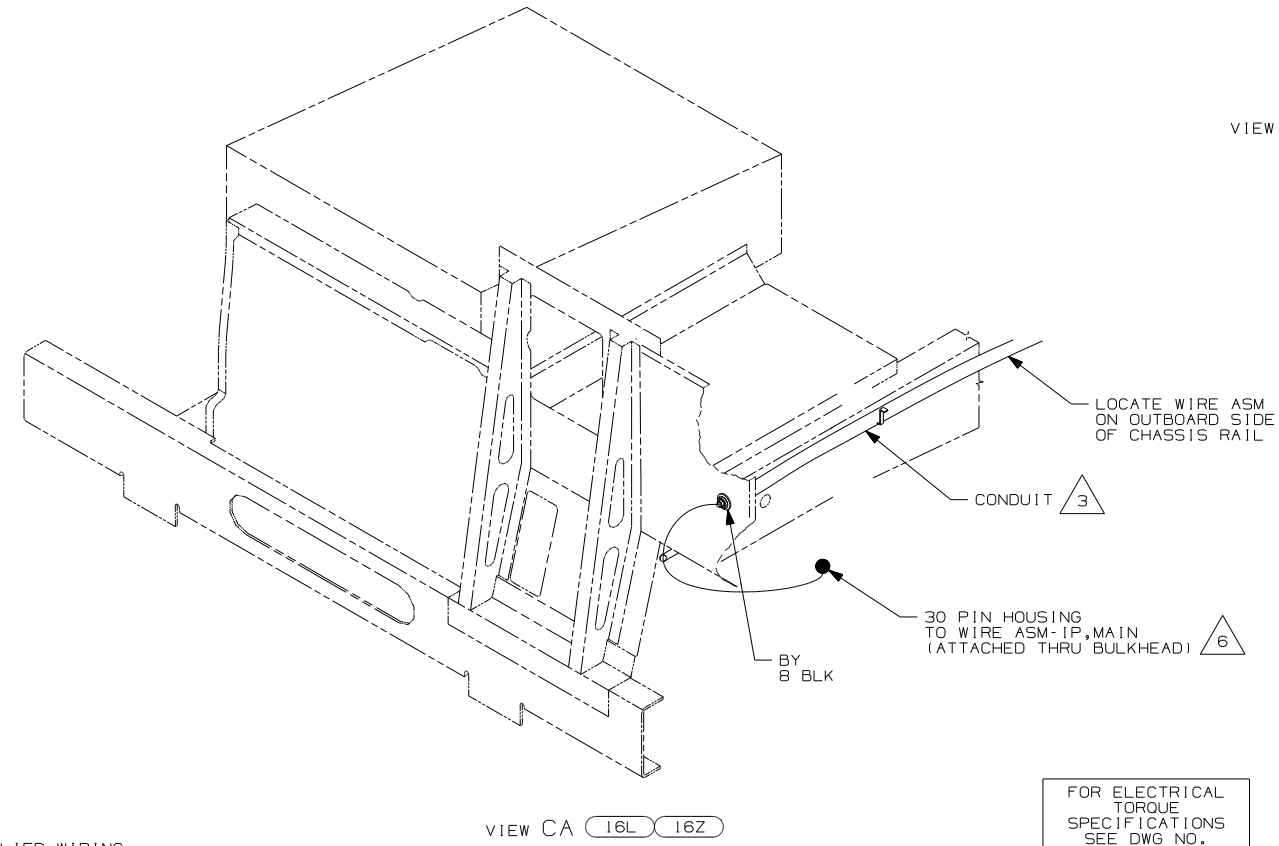
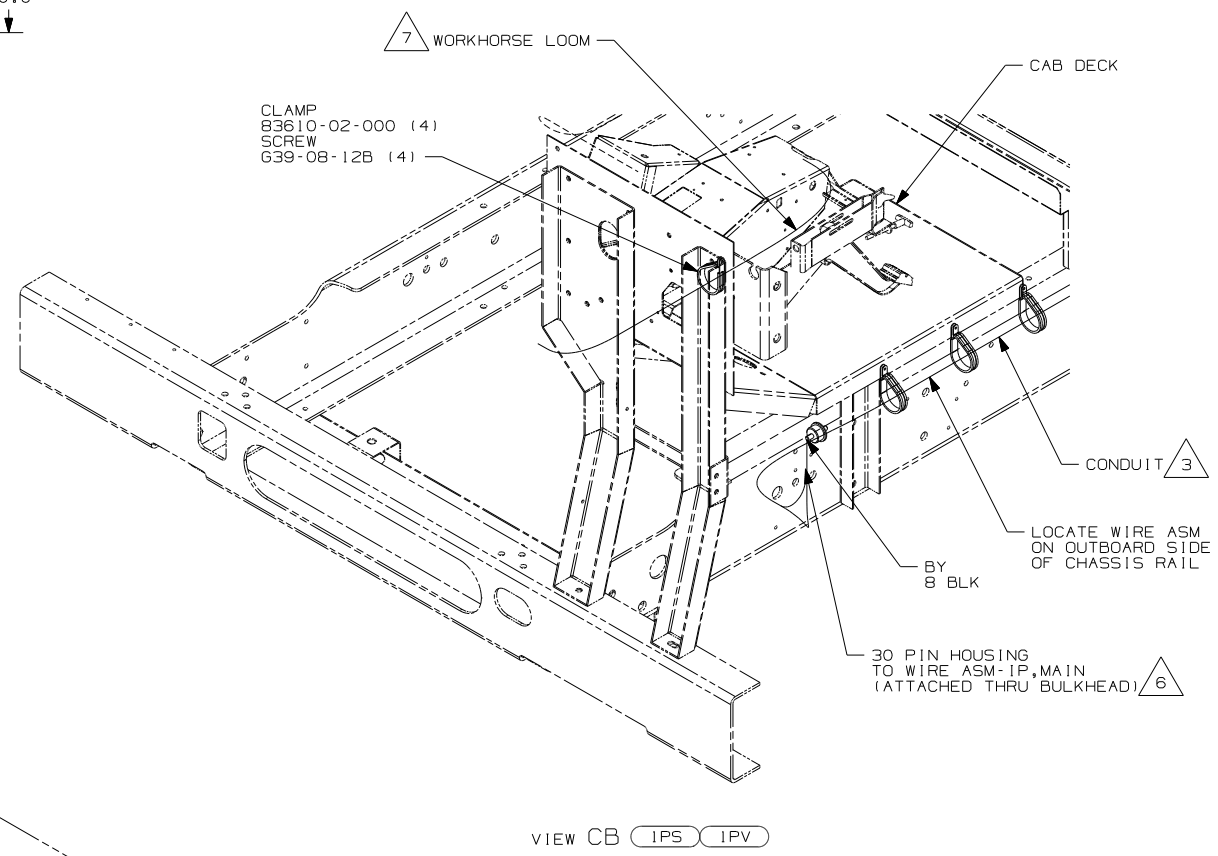
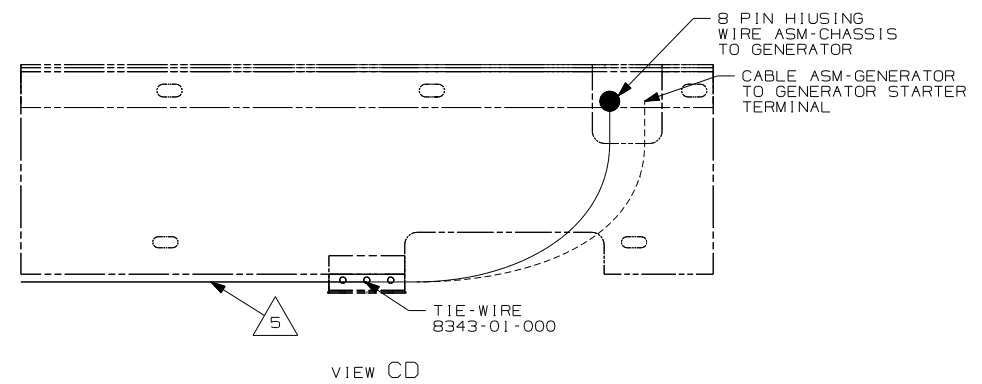
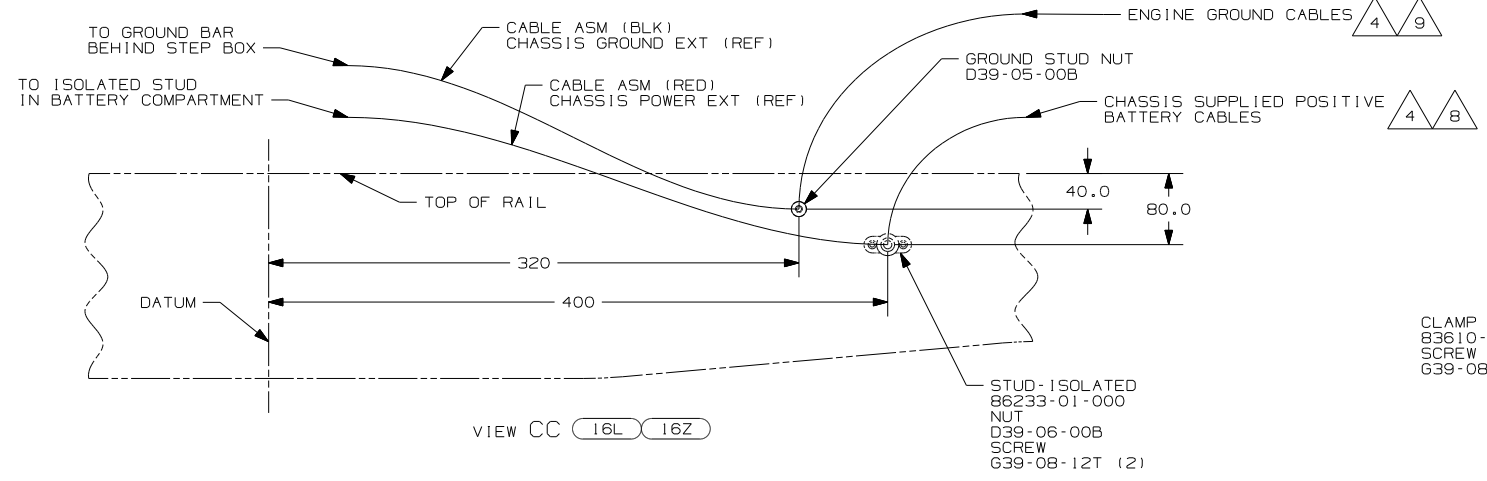
NOTES:

- IPV WORKHORSE 24,000#-22.5 TIRE
- IPS WORKHORSE 22,000#-22.5 TIRE
- 265 CODES/STANDARDS-CSA/CMVSS
- 1B1 CODES/STANDARDS USA

FIRST USED	09 J35Z
TITLE	DO NOT SCALE DRAWING
TITLE	WIRING INSTL-CHASSIS
SHEET 2	PART NO 167115 REV

FOR ELECTRICAL TORQUE SPECIFICATIONS SEE DWG NO. 128783-01-000

FOR ELECTRICAL CALLOUTS SEE DWG NO. 121339-01-000



- $\triangle 9$ CUT CHASSIS SUPPLIED BATTERY GROUND CABLE 700MM FROM BATTERY TERMINAL AND ADD TERMINAL 8348-01-000 TO CUT END.
- $\triangle 8$ CUT CHASSIS SUPPLIED POSITIVE BATTERY CABLE 150MM FROM BATTERY TERMINAL END, DISCARD TERMINAL END AND ADD TERMINAL 113738-01-000 TO CUT END. COIL EXCESS CABLE ALONG FRAME RAIL JUST BEHIND THE RADIATOR AND TIE UP WITH TIE-WIRE 8343-04-000.
- $\triangle 7$ CLAMP WORKHORSE ENGINE HARNESS TO CAB DECK TO PROTECT HARNESS FROM DAMAGE.
- $\triangle 6$ SEE WIRING INSTL-FRONT END FOR ADDITIONAL INFORMATION.
- $\triangle 5$ SECURE SO WIRES DO NOT CONTACT EXHAUST.
- $\triangle 4$ SUPPLIED WITH CHASSIS.
- $\triangle 3$ COVER WITH CONDUIT 41953-10-000 AND 41953-11-000 AS REQUIRED.

2. SECURE CONDUIT 41953-09, -10, -11, -13, AND -14 OVER ALL WIRES IN CONTACT WITH SHARP EDGES.

1. LEGEND: — WINNEBAGO: - - - - - CABLE: - - - - - CHASSIS SUPPLIED WIRING.

NOTES:

- $\triangle IPV$ WORKHORSE 24,000#-22.5 TIRE
- $\triangle IPS$ WORKHORSE 22,000#-22.5 TIRE
- $\triangle 16Z$ FORD 24,000#-22.5 ALUM WHEEL
- $\triangle 16L$ FORD 22,000#-22.5 AL WHL
- $\triangle 265$ CODES/STANDARDS-CSA/CMVSS
- $\triangle 1B1$ CODES/STANDARDS USA

FOR ELECTRICAL TORQUE SPECIFICATIONS SEE DWG NO. 128783-01-000

FOR ELECTRICAL CALLOUTS SEE DWG NO. 121339-01-000

FIRST USED	09 J35Z
DO NOT SCALE DRAWING	
TITLE:	WIRING INSTL-CHASSIS
SHEET 3	PART NO 167115 REV