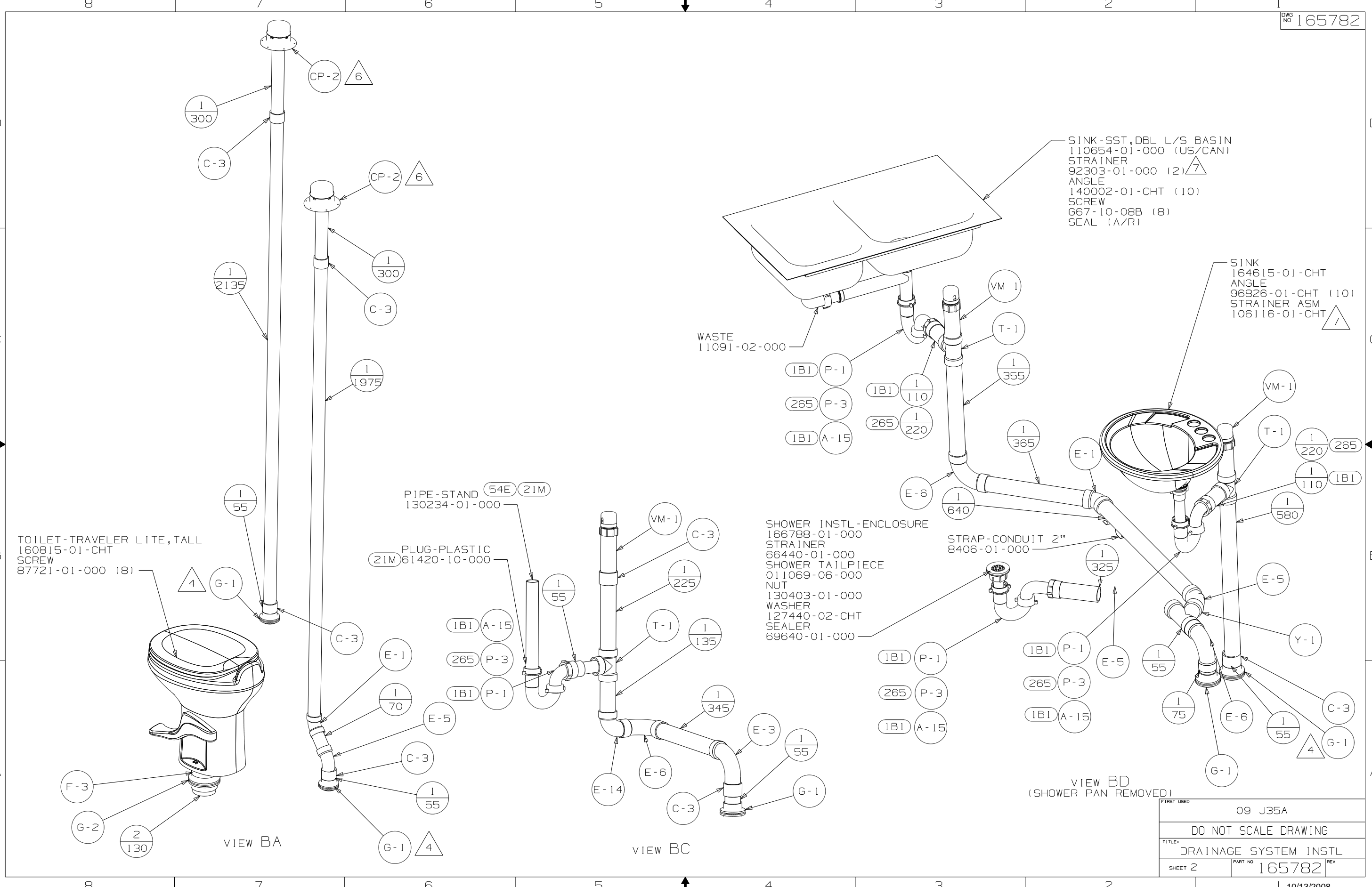


- (54E) WASHER/DRYER
- (21M) WASHER/DRYER PREP
- (265) CODES/STANDARDS-CSA/CMVSS
- (1B1) CODES/STANDARDS-USA

- NOTES:
7. USE SMOOTH PLUMBERS PUTTY 167459-01-000 TO SEAL STRAINER (0.2 PER STRAINER).
 6. VENT PIPE MUST PROJECT 51 MIN AND 64 MAX ABOVE ROOF FOR PROPER FIT AND FUNCTION.
 5. SEAL AROUND SHOWER WITH SILICONE.
 4. SECURE VENT TUBES TO FLOOR WITH CLAMP 62401-02-000 (2), SCREW G67-10-12B (2), BRACKET 136878-01-CHT (2).
 3. ALL PIPE AND FITTINGS TO BE ASSEMBLED WITH SOLVENT 4020-01-000 (USA), 4020-02-000 (CAN)
 2. SLOPE OF TRAP ARM MUST BE 6 PER 305 mm.
 1. SLOPE OF HORIZONTAL PIPING TO BE MIN 3 PER 305 mm.

(X-X)
FOR DRAINAGE CALLOUTS SEE DWG NO 116229-01-000

WINNEBAGO		COPYRIGHT 2008 WINNEBAGO INDUSTRIES, INC.	
DFT	ORIG. DATE	ALL DIMENSIONS ARE IN MILLIMETERS	
CHKR		FIRST USED	
P.E.		09 J35A	
M.E.			
DSNR			
UNSPECIFIED TOLERANCES ARE:		MATERIAL:	
WHOLE DIM (X)	: 5		
ONE-PLACE (X.X)	:		
TWO-PLACE (X.XX)	:		
ANGLE	:		
THIRD ANGLE PROJECTION			
DO NOT SCALE DRAWING			
TITLE: DRAINAGE SYSTEM INSTL			
SHEET 1 OF 3	PART NO	165782	REV
REF1	1 10/13/2008		



TOILET-TRAVELER LITE, TALL
160815-01-CHT
SCREW
87721-01-000 (8)

VIEW BA

PLUG-PLASTIC
21M 61420-10-000

PIPE-STAND
130234-01-000

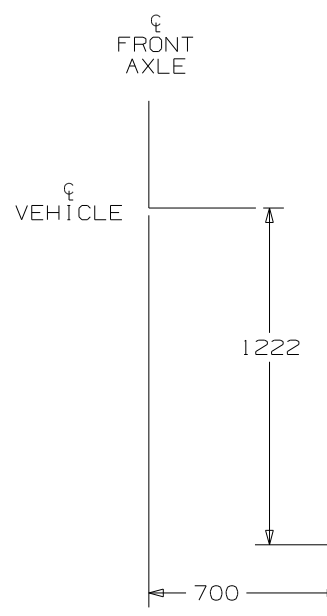
SHOWER INSTL-ENCLOSURE
166788-01-000
STRAINER
66440-01-000
SHOWER TAILPIECE
011069-06-000
NUT
130403-01-000
WASHER
127440-02-CHT
SEALER
69640-01-000

SINK-SST, DBL L/S BASIN
110654-01-000 (US/CAN)
STRAINER
92303-01-000 (2)
ANGLE
140002-01-CHT (10)
SCREW
G67-10-08B (8)
SEAL (A/R)

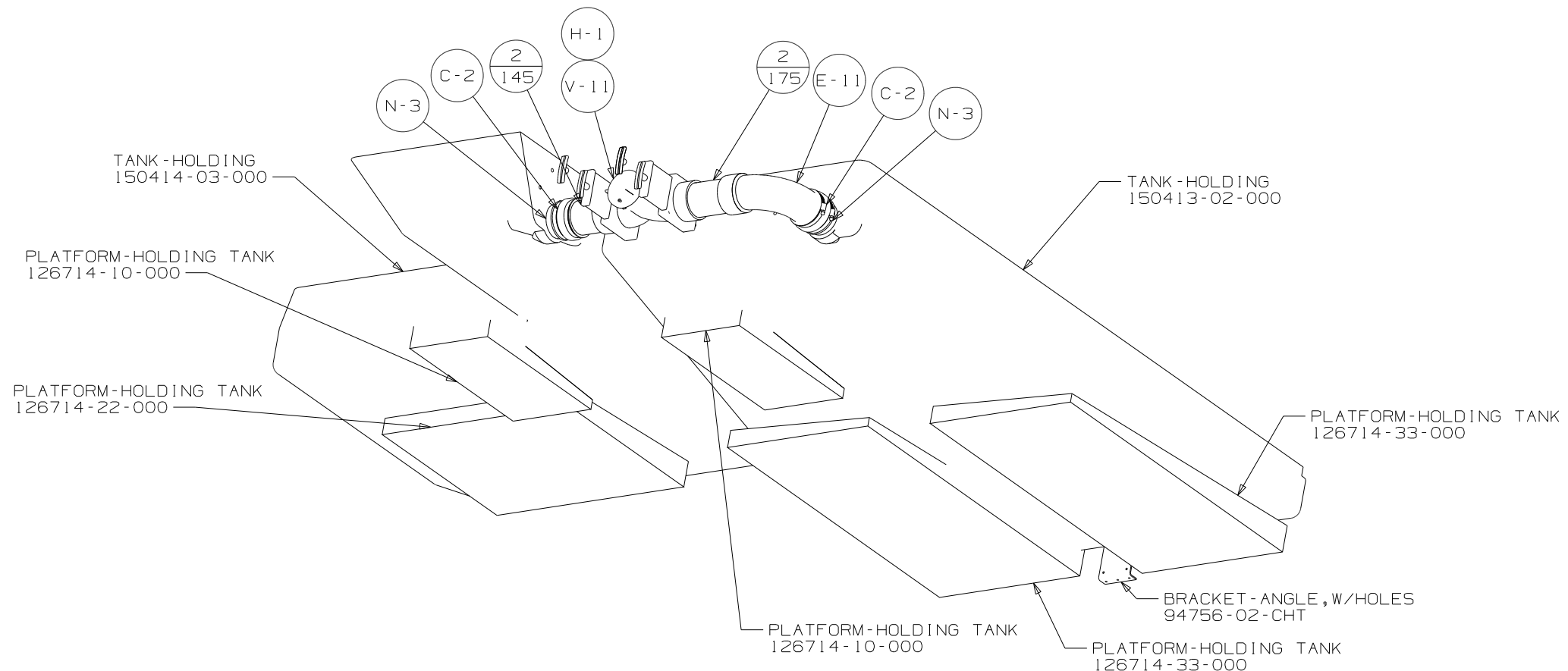
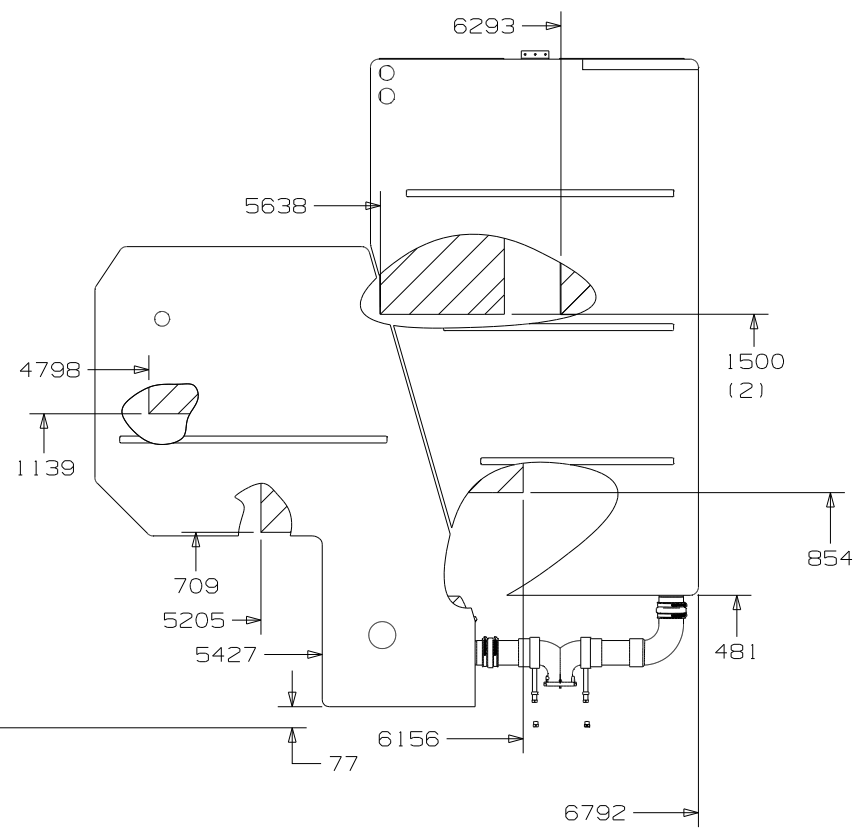
SINK
164615-01-CHT
ANGLE
96826-01-CHT (10)
STRAINER ASM
106116-01-CHT

VIEW BD
(SHOWER PAN REMOVED)

FIRST USED	09 J35A	
TITLE	DO NOT SCALE DRAWING	
	DRAINAGE SYSTEM INSTL	
SHEET 2	PART NO	165782
	REV	

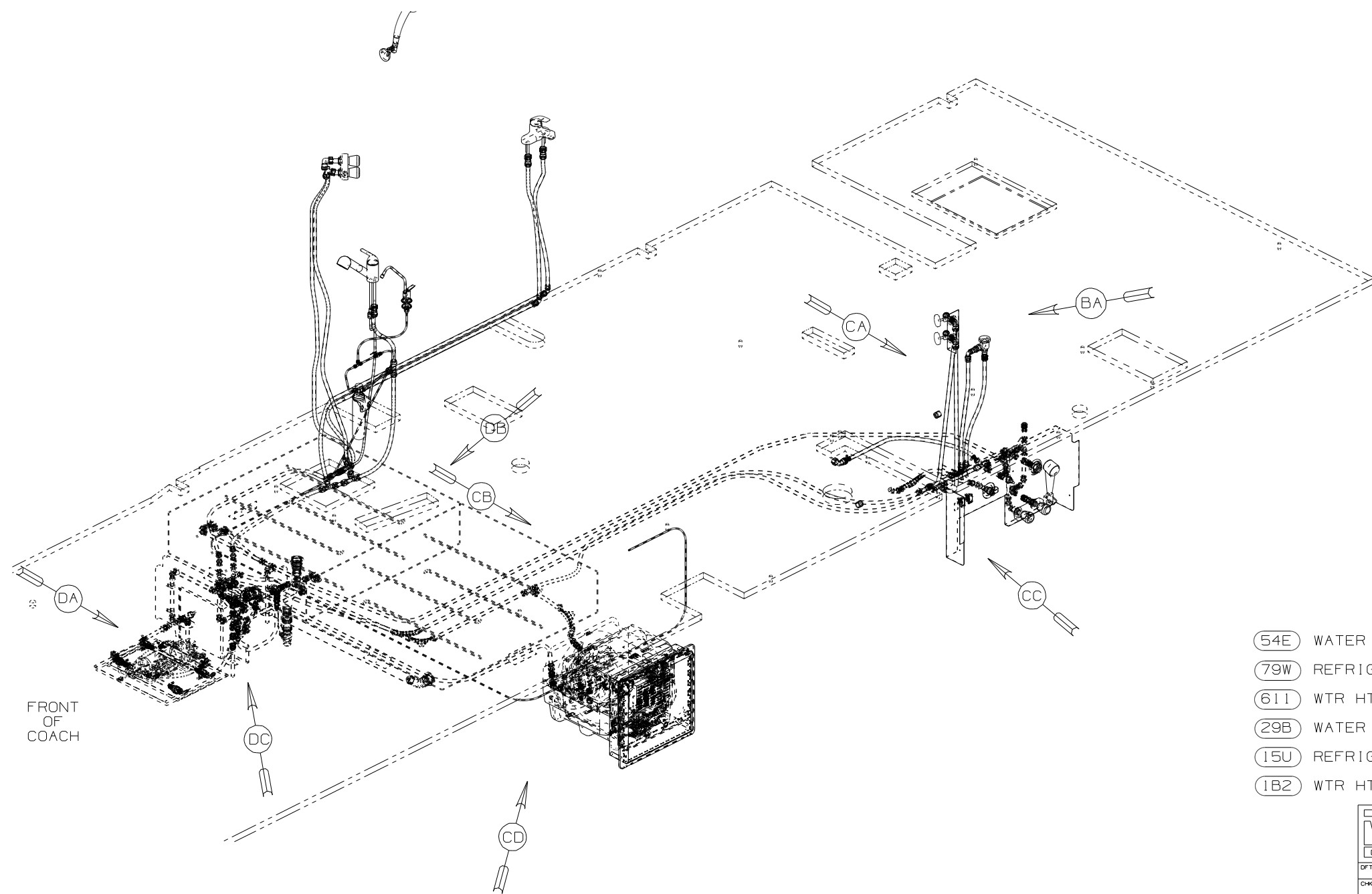


VIEW CA



VIEW CB

FIRST USED	09 J35A	
TITLE	DO NOT SCALE DRAWING	
	DRAINAGE SYSTEM INSTL	
SHEET 3	PART NO 165782	REV

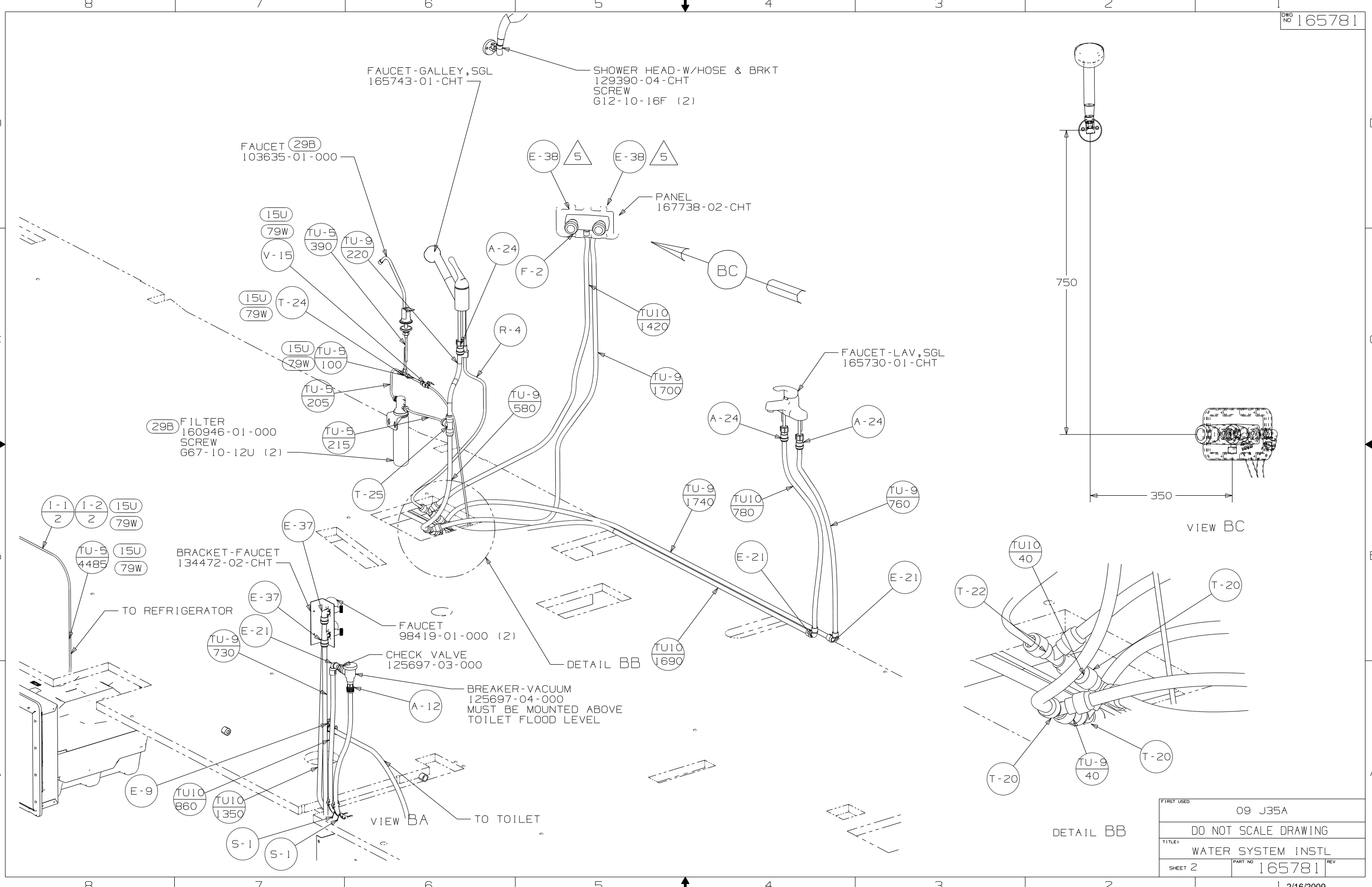


- (54E) WATER SYST WINTERIZATIO PKG
- (79W) REFRIGERATOR-4 DOOR
- (611) WTR HTR-AUX AUTO/MOTORAID
- (29B) WATER PURIFIER
- (15U) REFRIGERATOR/FRZR W/ICEMAKER
- (1B2) WTR HTR-10 GAL/ELEC/LP/MTRAID

- NOTES:
5. ADD TEFLON TAPE 10405-01-000.
 4. ADD TEFLON TAPE 10405-02-000.
 3. ALL TUBING TO BE SECURED AT 1200 INTERVALS MAXIMUM WITH CLAMP 10495-01-000 AND SCREW G67-10-12B OR EQUIVALENT.
 2. TUBING TO BE INSTALLED WITH SUFFICIENT SLOPE TO PROVIDE DRAINAGE TO NEAREST VALVE.
 1. PLASTIC FITTINGS TO BE SEALED WITH SEALANT 84456-01-000.

WINNEBAGO		COPYRIGHT 2009 WINNEBAGO INDUSTRIES, INC.	
DFT	ORIG. DATE	ALL DIMENSIONS ARE IN MILLIMETERS	
CHKR		FIRST USED	
P.E.		09 J35A	
M.E.		UNSPECIFIED TOLERANCES ARE:	
DSNR		MATERIAL:	
		WHOLE DIM (X) :	7
		ONE-PLACE (X.X) :	
		TWO-PLACE (X.XX) :	
		ANGLE :	
THIRD ANGLE PROJECTION		DO NOT SCALE DRAWING	
TITLE: WATER SYSTEM INSTL			
SHEET 1 OF 4	PART NO	REV	
	165781		

(X-X)
FOR
WATER
CALLOUTS
SEE DWG NO
116230-01-000



FAUCET - GALLEY, SGL
165743-01-CHT

SHOWER HEAD - W/HOSE & BRKT
129390-04-CHT
SCREW
G12-10-16F (2)

FAUCET (29B)
103635-01-000

PANEL
167738-02-CHT

(29B) FILTER
160946-01-000
SCREW
G67-10-12U (2)

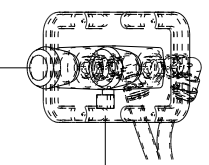
FAUCET - LAV, SGL
165730-01-CHT

BRACKET - FAUCET
134472-02-CHT

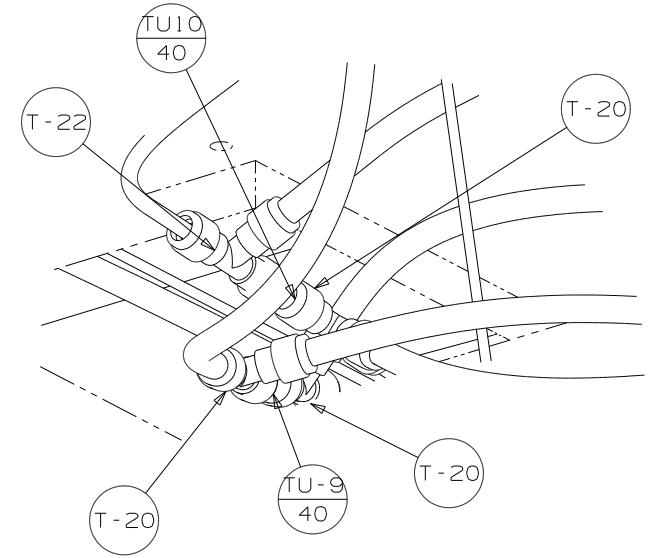
FAUCET
98419-01-000 (2)

CHECK VALVE
125697-03-000

BREAKER - VACUUM
125697-04-000
MUST BE MOUNTED ABOVE
TOILET FLOOD LEVEL



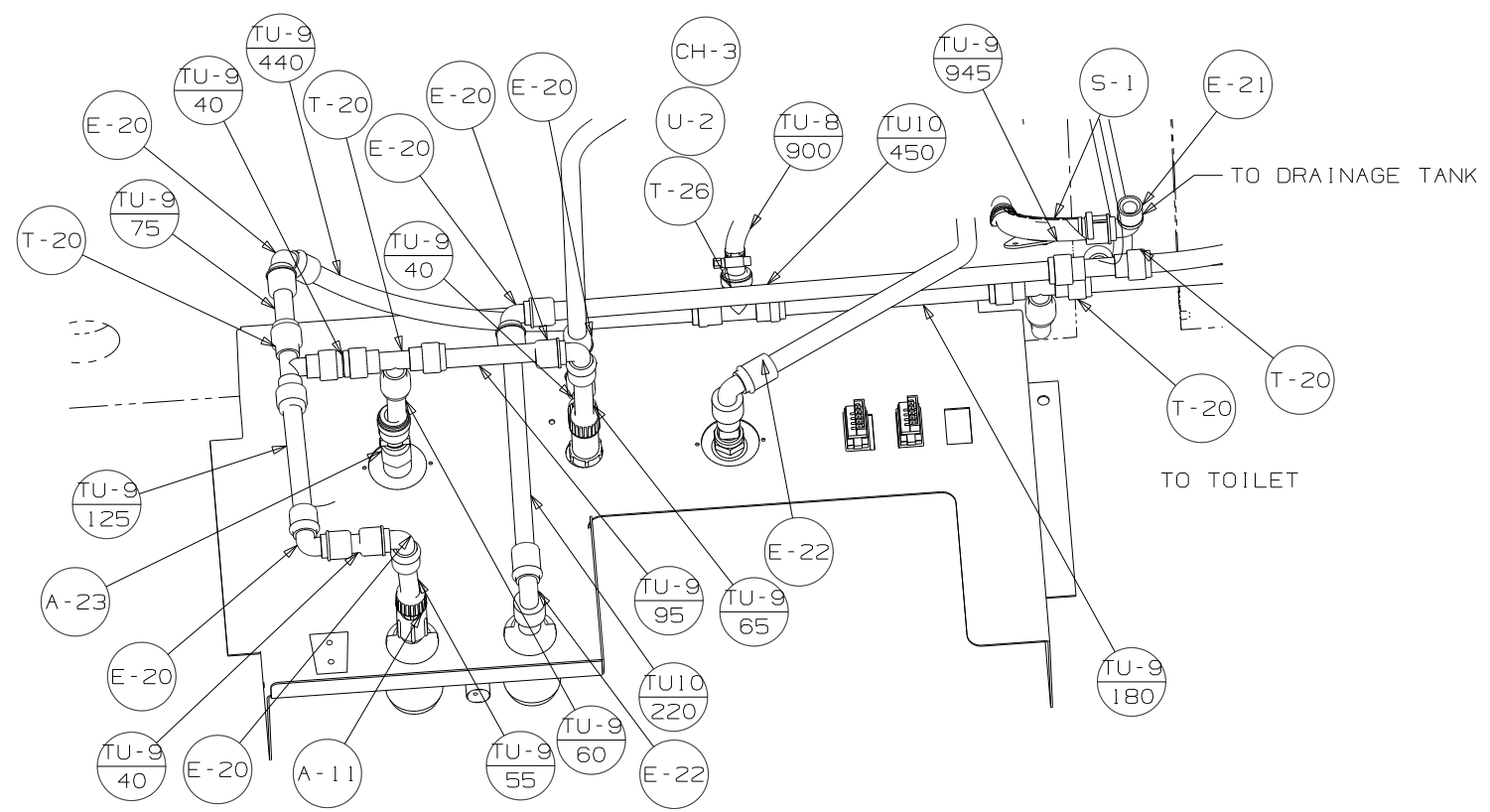
VIEW BC



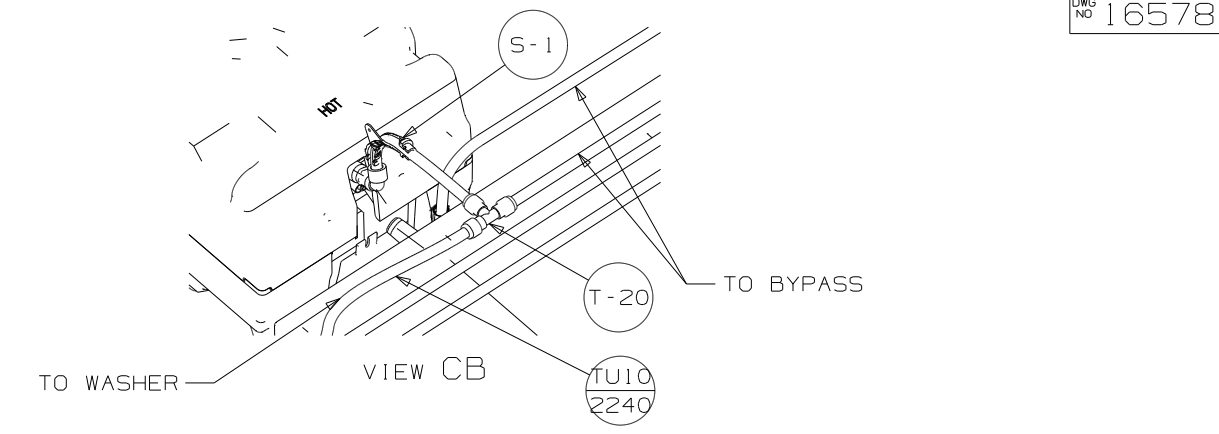
DETAIL BB

VIEW BA

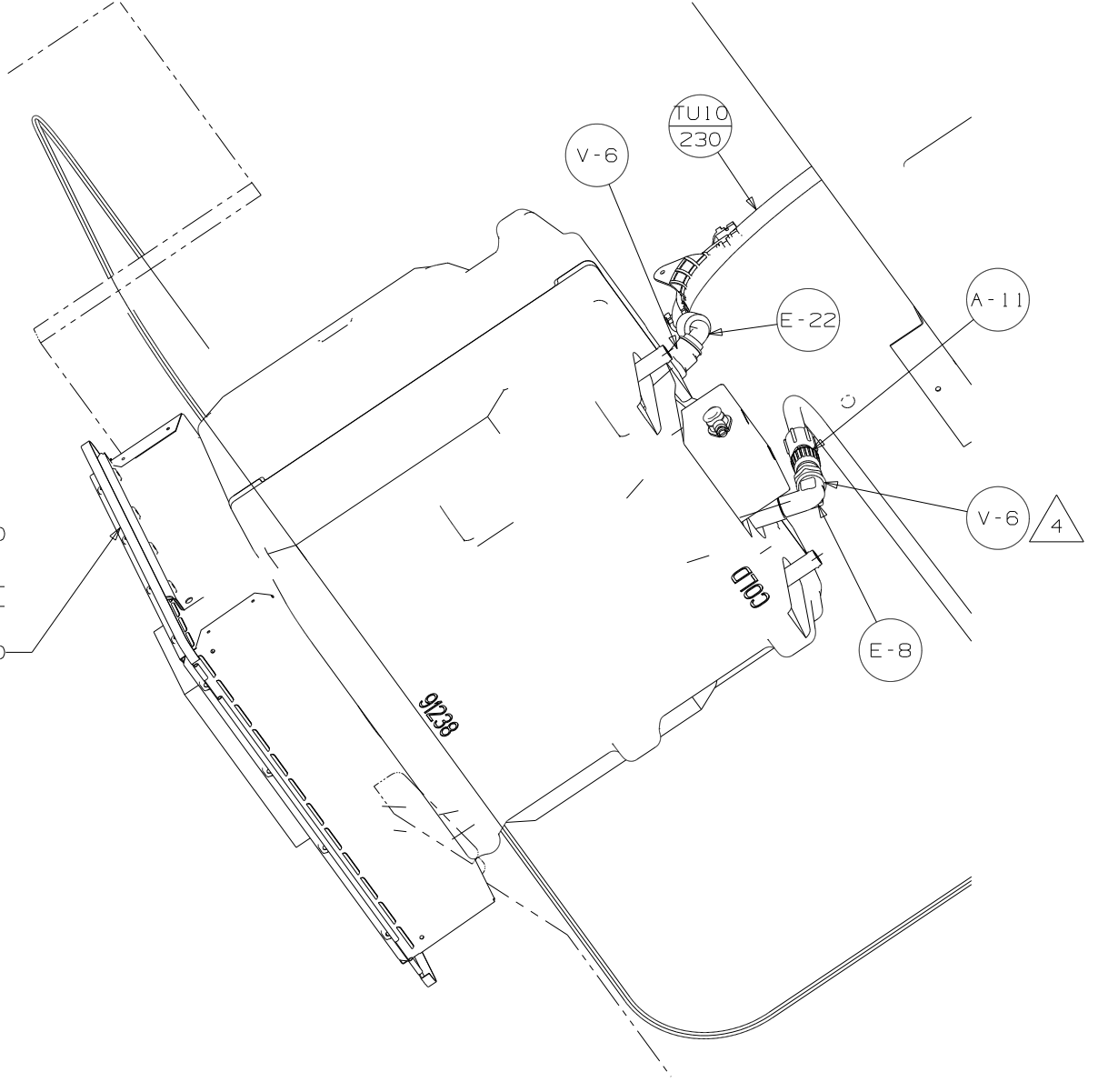
FIRST USED	09 J35A		
TITLE:	DO NOT SCALE DRAWING		
TITLE:	WATER SYSTEM INSTL		
SHEET 2	PART NO	165781	REV



VIEW CA



VIEW CB

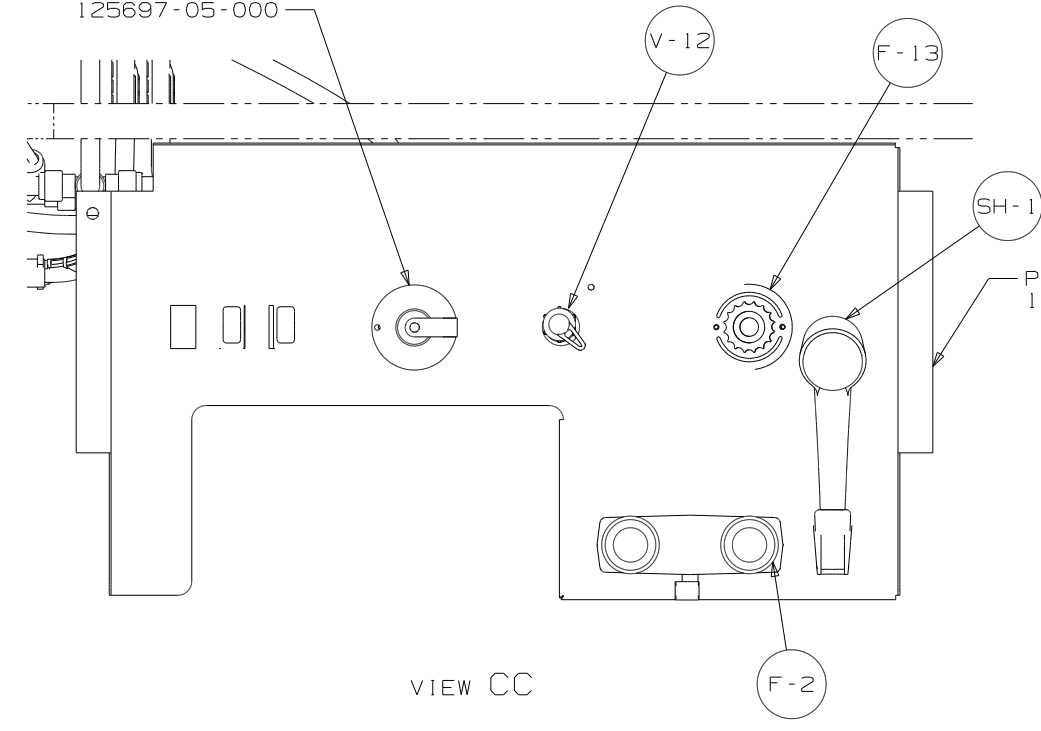


VIEW CD

- (1B2) (54E) WATER HEATER 145541-01-000
- (611) DOOR 51393-01-000
- (1B2) (54E) 125420-03-CHT
- (611) 125420-04-CHT BUMPER INSTL 146507-01-000

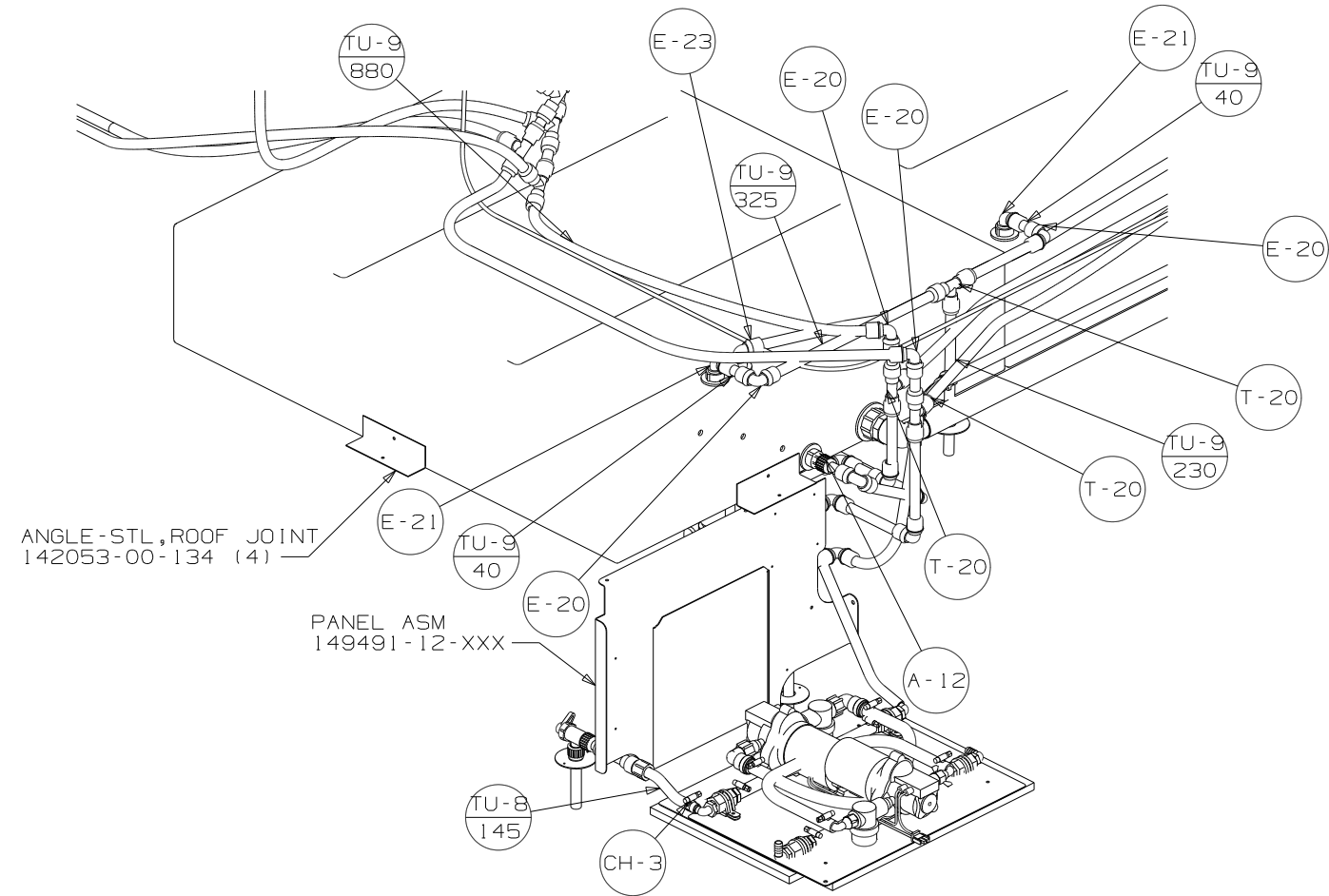
INLET-WATER, FLUSHING SYSTEM
125697-05-000

PANEL-SERVICE CENTER
136034-12-CHT

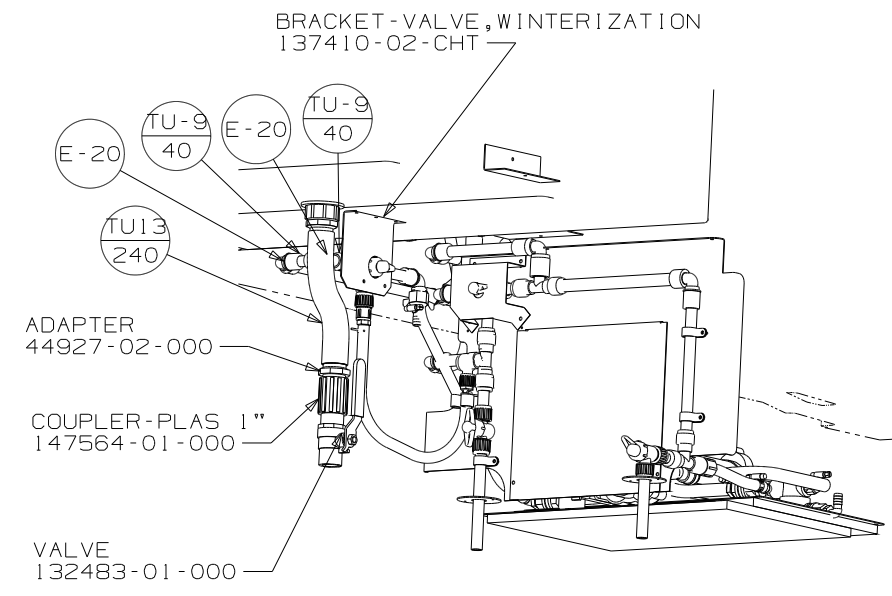


VIEW CC

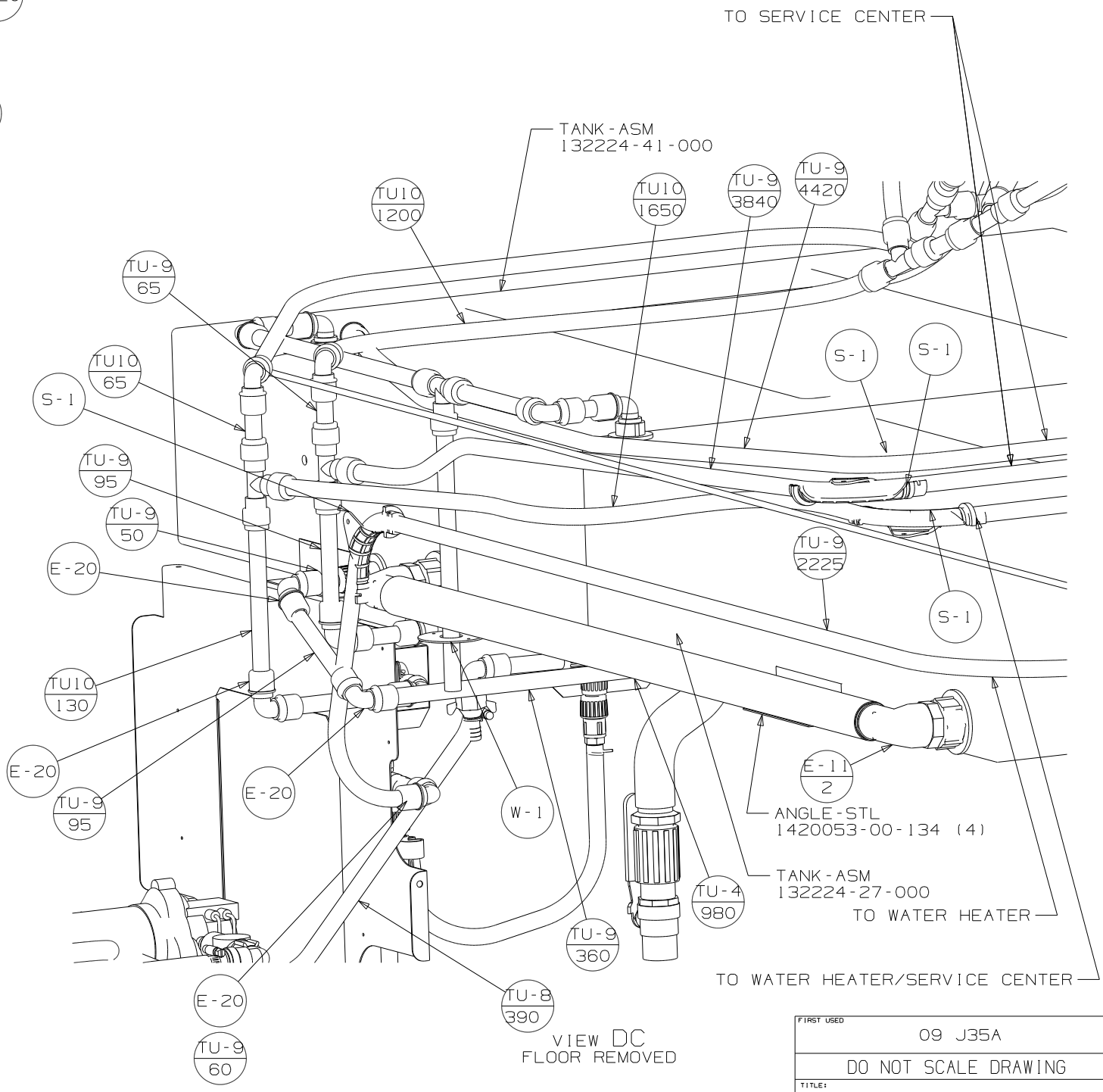
FIRST USED	09 J35A		
TITLE:	DO NOT SCALE DRAWING		
	WATER SYSTEM INSTL		
SHEET 3	PART NO	165781	REV



VIEW DA
FLOOR REMOVED



VIEW DB



VIEW DC
FLOOR REMOVED

FIRST USED	09 J35A		
TITLE:	DO NOT SCALE DRAWING		
	WATER SYSTEM INSTL		
SHEET 4	PART NO	165781	REV