

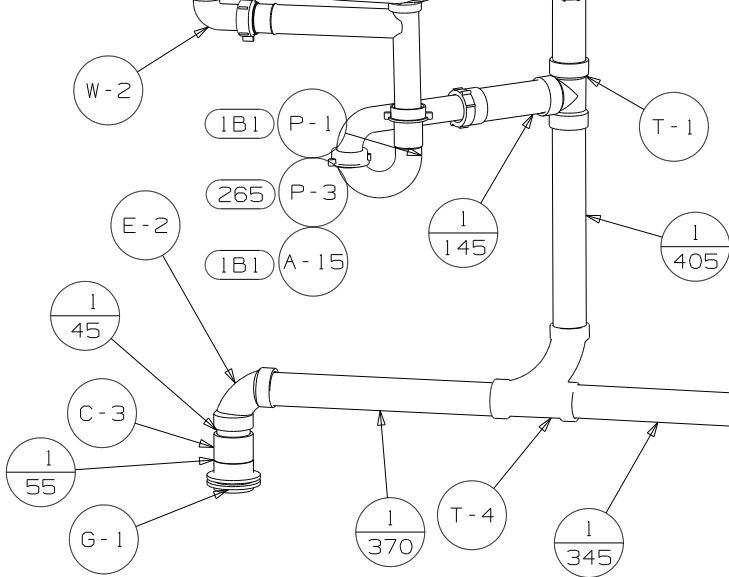
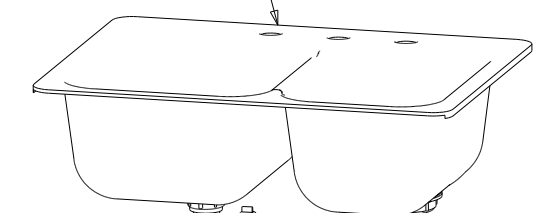
8. SECURE DRAINAGE PIPES TO CABINET USING WIRE TIE 108046-02-000, AND SCREW G67-10-12B AT INTERVALS OF NOT MORE THAN 4 FEET APART.
7. SECURE VENT PIPE TO FLOOR WITH CLAMP 62401-02-000 (2), SCREW G67-10-12B (2), BRACKET 136878-01-CHT (2).
6. VENT PIPE MUST PROJECT 51 MIN AND 64 MAX ABOVE ROOF FOR PROPER FIT AND FUNCTION.
5. SEAL AROUND SHOWER WITH SILICONE.
4. USE SMOOTH PLUMBERS PUTTY 167459-01-000 TO SEAL STRAINER (.2 PER STRAINER).
3. ALL PIPE AND FITTINGS TO BE ASSEMBLED WITH SOLVENT 4020-01-000 (USA), 4020-02-000 (CAN)
2. SLOPE OF TRAP ARM MUST BE 6 PER 305 mm.
1. SLOPE OF HORIZONTAL PIPING TO BE MINIMUM OF 3 PER 305 mm.

NOTES:

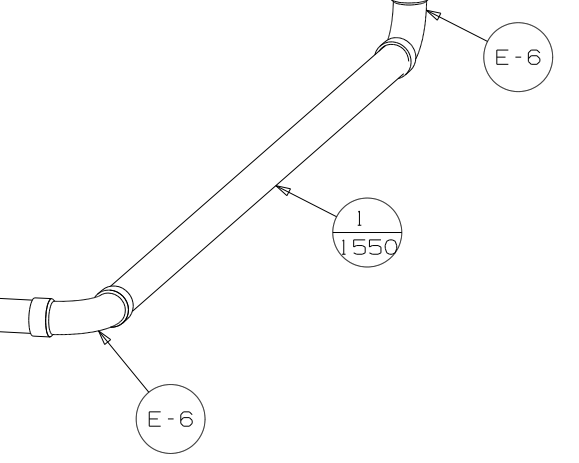
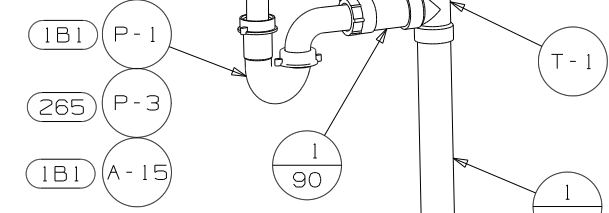
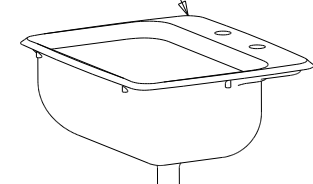
WINNEBAGO		COPYRIGHT 2008 WINNEBAGO INDUSTRIES, INC.	
DFT	ORIG. DATE	ALL DIMENSIONS ARE IN MILLIMETERS	
CHKR		FIRST USED	
P.E.		09 E32K	
M.E.		UNSPECIFIED TOLERANCES ARE:	
DSNR		MATERIAL:	
		WHOLE DIM (X)	: 3
		ONE-PLACE (X.X)	: 1.5
		TWO-PLACE (X.XX)	: 0.50
		ANGLE	: 1°
THIRD ANGLE PROJECTION		DO NOT SCALE DRAWING	
TITLE: DRAINAGE SYSTEM INSTL			
SHEET 1 OF 3	PART NO	167834	REV
REF:	11/27/2008		

FOR
DRAINAGE
CALLOUTS
SEE DWG NO
116229-01-000

SINK-DBL, L/S BASIN
163942-02-CHT
STRAINER
92303-01-000 (2)
BRACKETS & SCREWS
(INCLUDED WITH SINK)
SEAL (A/R)

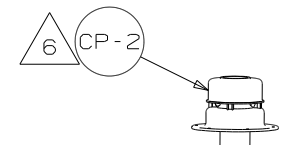


SINK-LAVATORY, RECTANGLE
96927-01-CHT

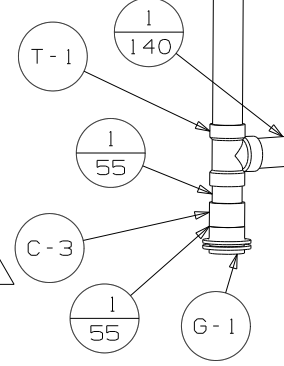
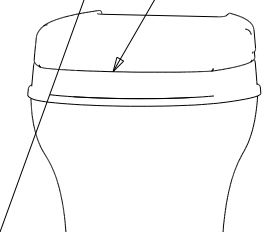


VIEW A

SHOWER PAN
152200-03-CHT
STRAINER
66440-01-000
SEALANT
84456-01-000
SCREW
G11-08-12U (9)
SCREW
G39-08-12U (4)
WASHER-RUBBER
127440-02-CHT
TAILPIECE
11069-02-000
NUT
130403-01-000

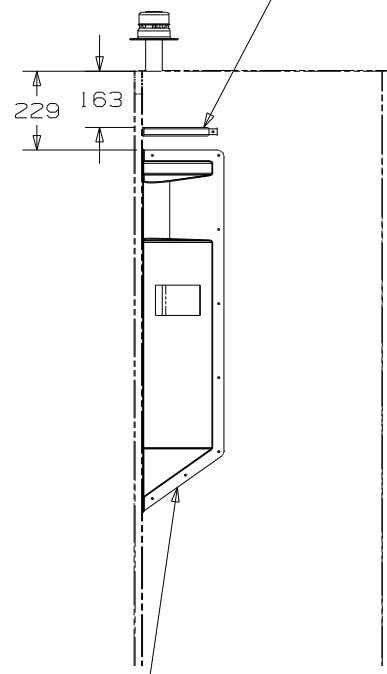


TOILET
147421-04-CHT



VIEW B

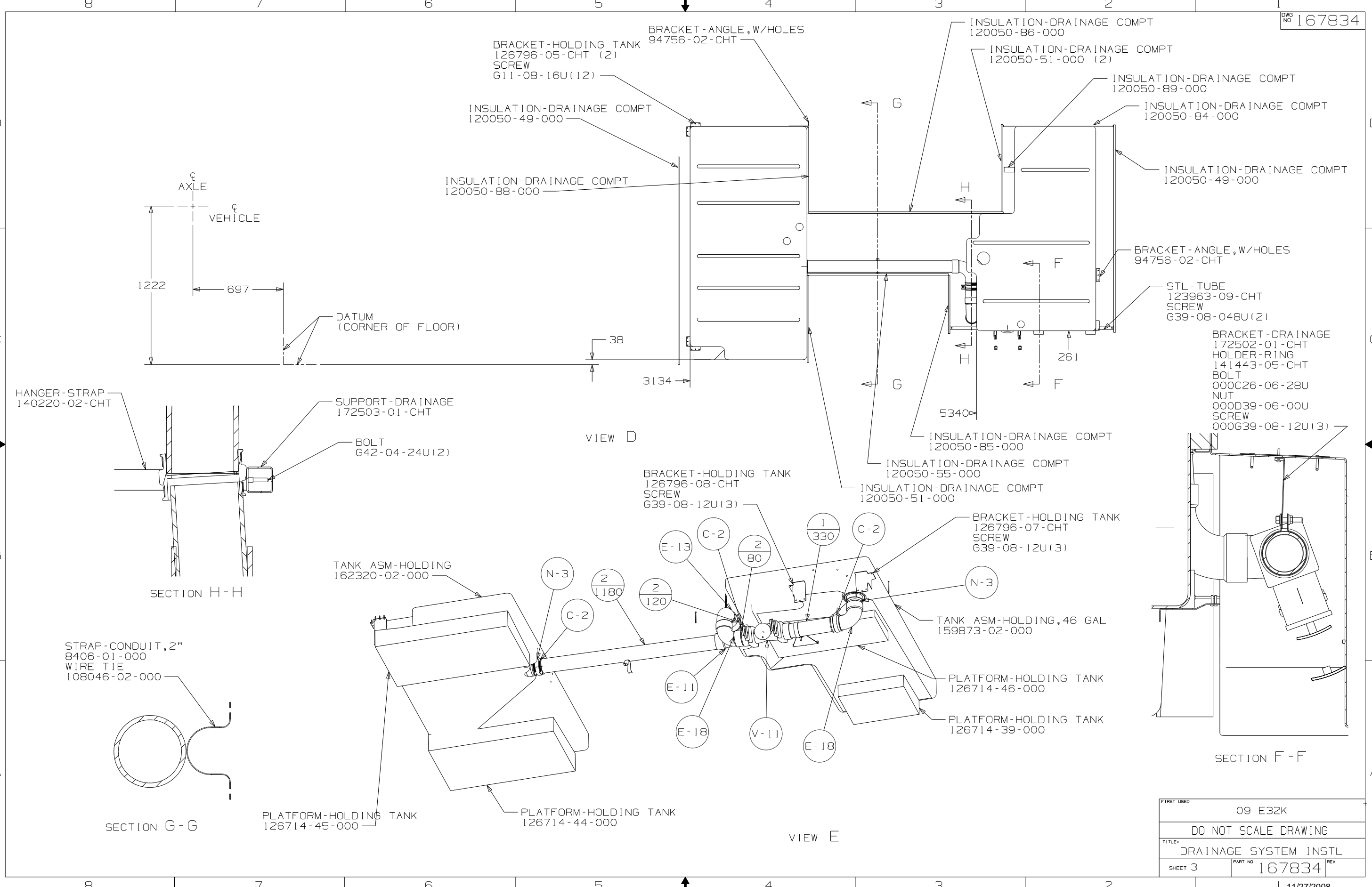
RETAINER-SHELF, SHOWER
113714-02-CHT
SCREW
G44-08-12U (2)
COVER
166569-01-CHT (2)



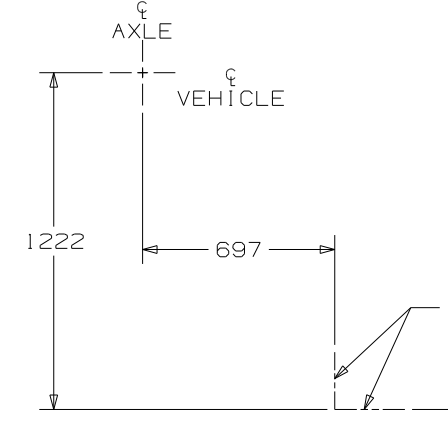
CADDY-SHOWER
105707-01-CHT
SCREW
G11-08-12U (16)
COVER
166569-01-CHT (16)

VIEW C

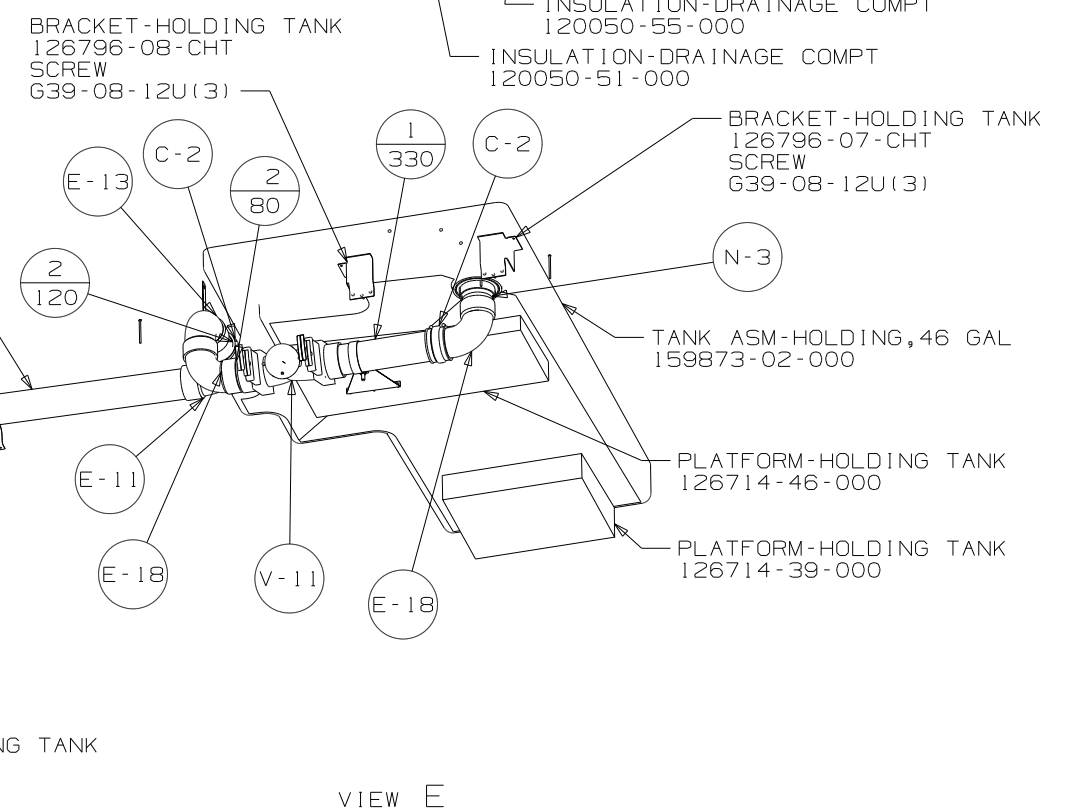
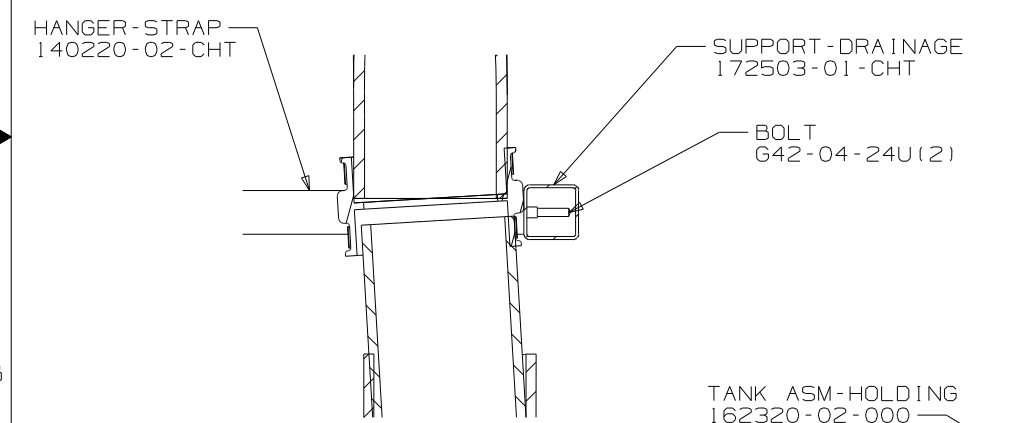
FIRST USED	09 E32K
DO NOT SCALE DRAWING	
TITLE:	DRAINAGE SYSTEM INSTL
SHEET 2	PART NO 167834 REV



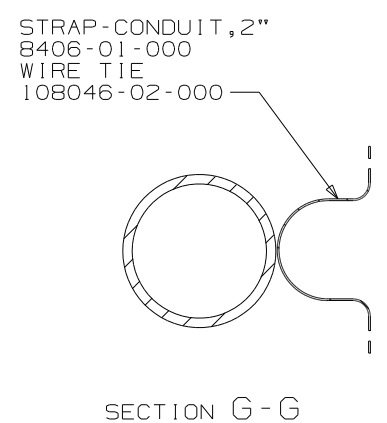
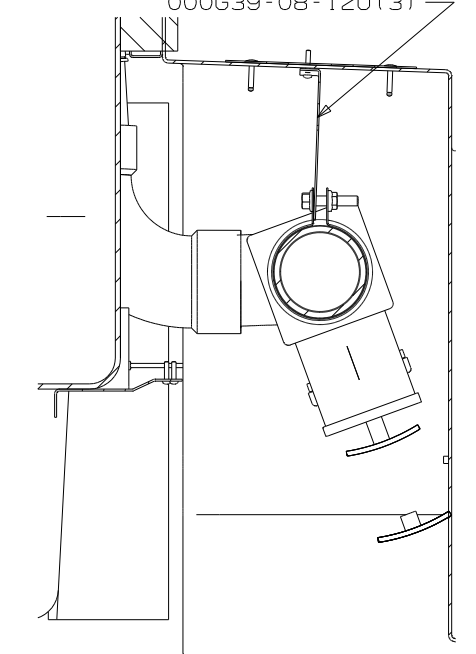
- BRACKET-ANGLE, W/HOLES 94756-02-CHT
- BRACKET-HOLDING TANK 126796-05-CHT (2)
- SCREW 611-08-16U(12)
- INSULATION-DRAINAGE COMPT 120050-49-000
- INSULATION-DRAINAGE COMPT 120050-88-000
- INSULATION-DRAINAGE COMPT 120050-86-000
- INSULATION-DRAINAGE COMPT 120050-51-000 (2)
- INSULATION-DRAINAGE COMPT 120050-89-000
- INSULATION-DRAINAGE COMPT 120050-84-000
- INSULATION-DRAINAGE COMPT 120050-49-000
- BRACKET-ANGLE, W/HOLES 94756-02-CHT
- STL-TUBE 123963-09-CHT
- SCREW 639-08-048U(2)
- BRACKET-DRAINAGE 172502-01-CHT
- HOLDER-RING 141443-05-CHT
- BOLT 000C26-06-28U
- NUT 000D39-06-00U
- SCREW 000G39-08-12U(3)
- INSULATION-DRAINAGE COMPT 120050-85-000
- INSULATION-DRAINAGE COMPT 120050-55-000
- INSULATION-DRAINAGE COMPT 120050-51-000



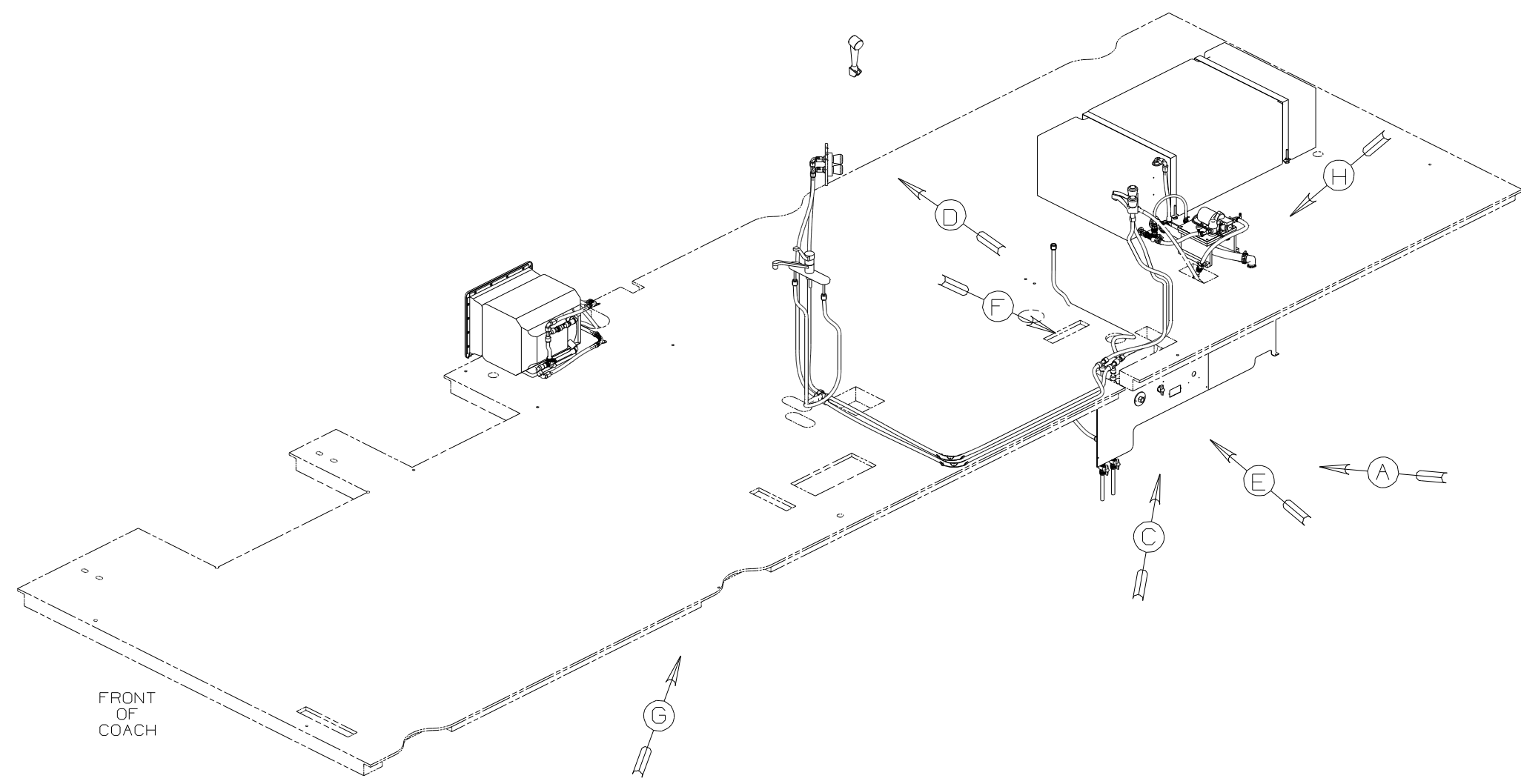
VIEW D



VIEW E



FIRST USED	09 E32K	
TITLE	DO NOT SCALE DRAWING	
	DRAINAGE SYSTEM INSTL	
SHEET 3	PART NO 167834	REV



FRONT OF COACH

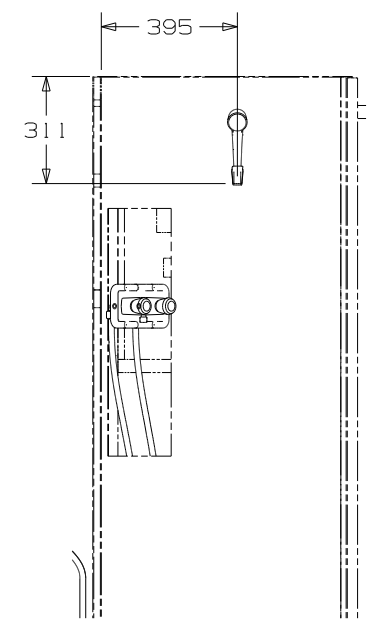
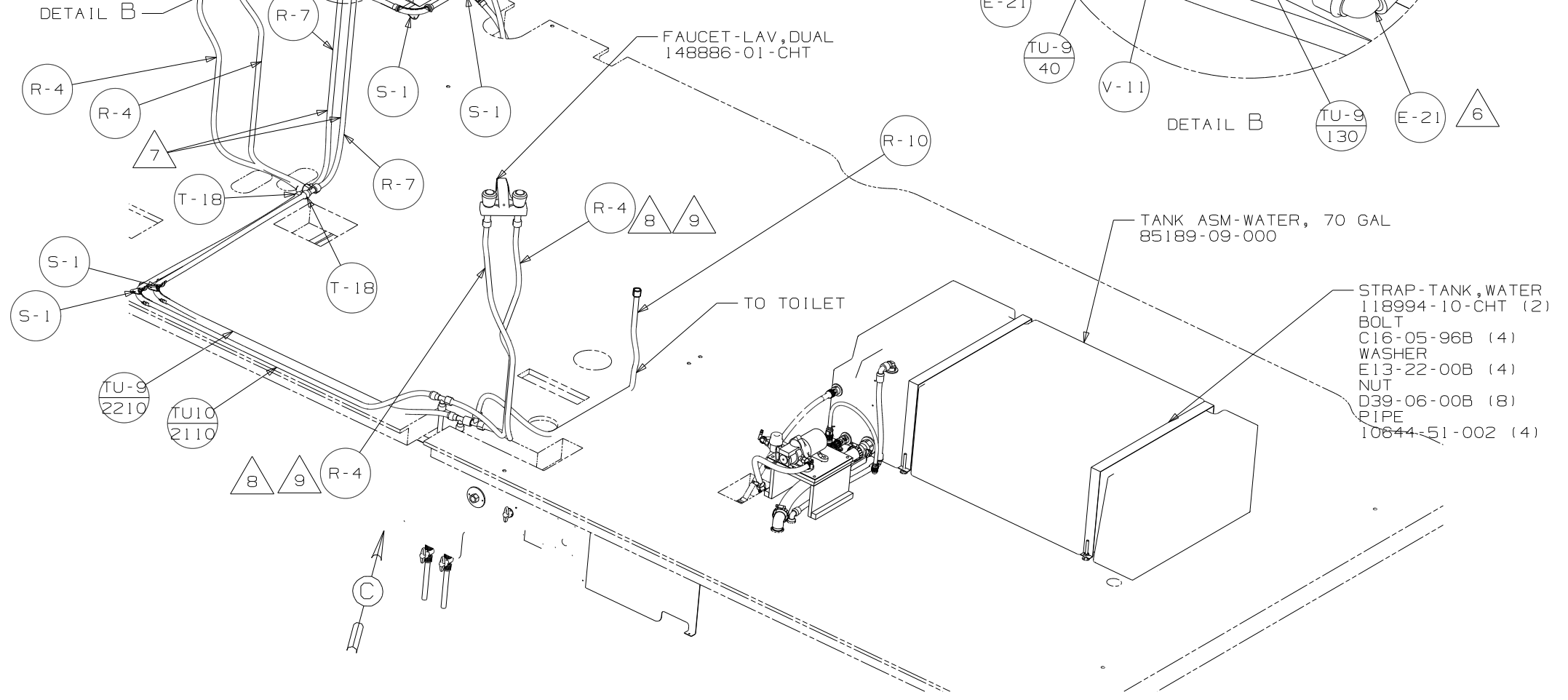
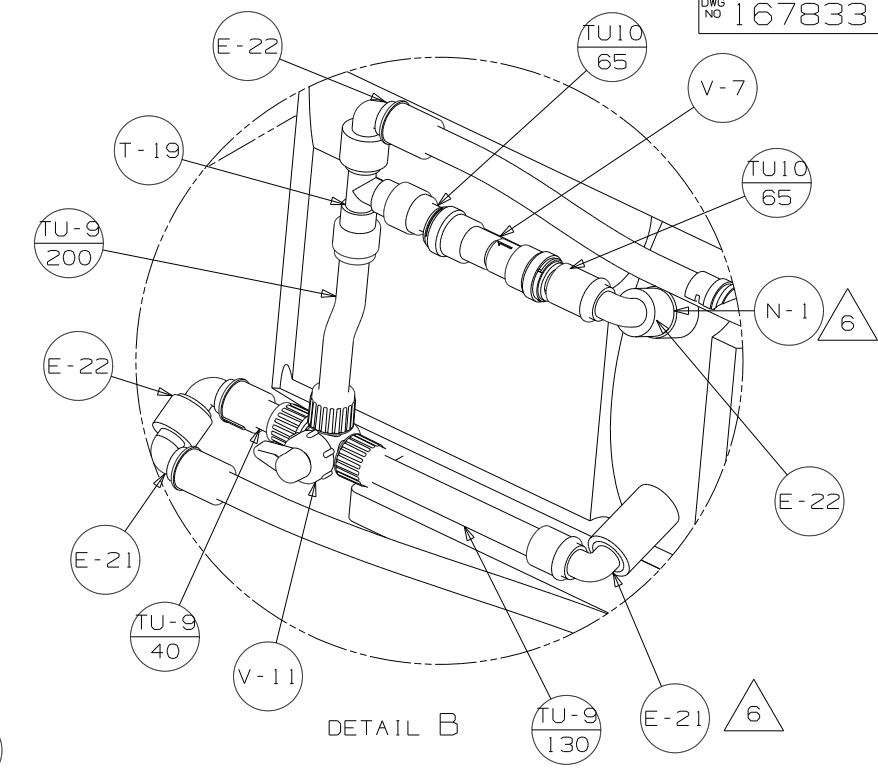
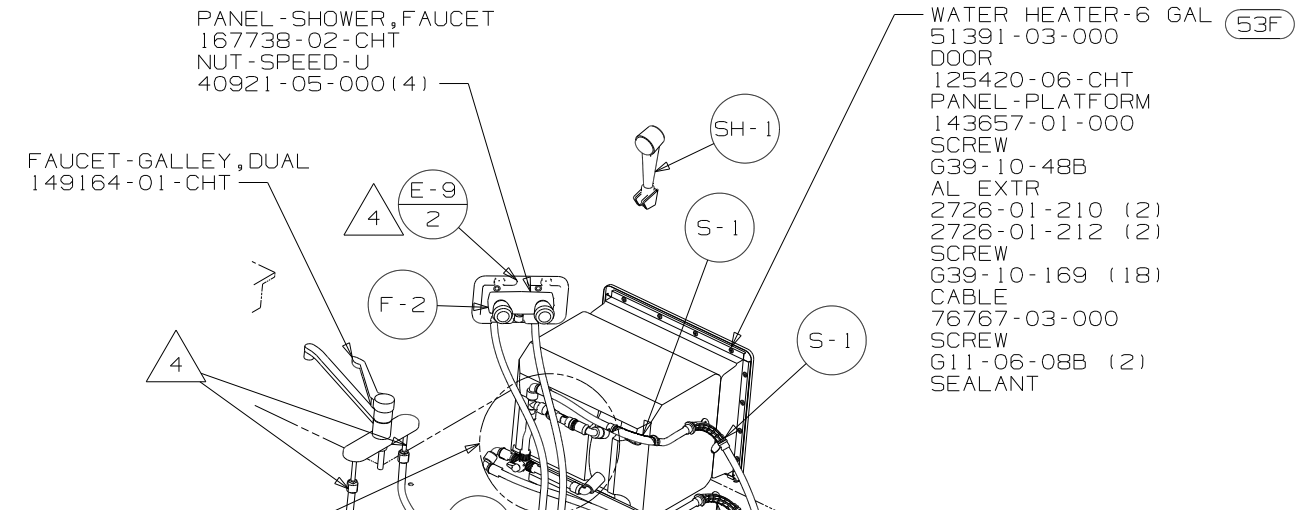
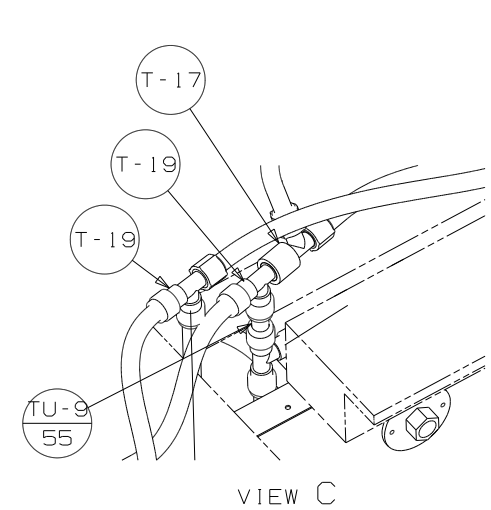
- 9. TAPE FITTING TO TUBE BEFORE CABINET SET TO PREVENT FITTING FROM MOVING.
 - 8. LABEL HOT AND COLD SUPPLY TUBES.
 - 7. ADD PIPE WRAP (LADDER SCRAP 110157-02-000) INSULATION.
 - 6. ADD TEFLON TAPE 10405-03-000.
 - 5. ADD TEFLON TAPE 10405-02-000.
 - 4. ADD TEFLON TAPE 10405-01-000.
3. ALL TUBING TO BE SECURED AT 1200 INTERVALS MAXIMUM WITH CLAMP 10495-01-000 AND SCREW G67-10-12B OR EQUIVALENT.
 2. TUBING TO BE INSTALLED WITH SUFFICIENT SLOPE TO PROVIDE DRAINAGE TO NEAREST VALVE.
 1. PLASTIC FITTINGS TO BE SEALED WITH SEALANT 84456-01-000.

NOTES:

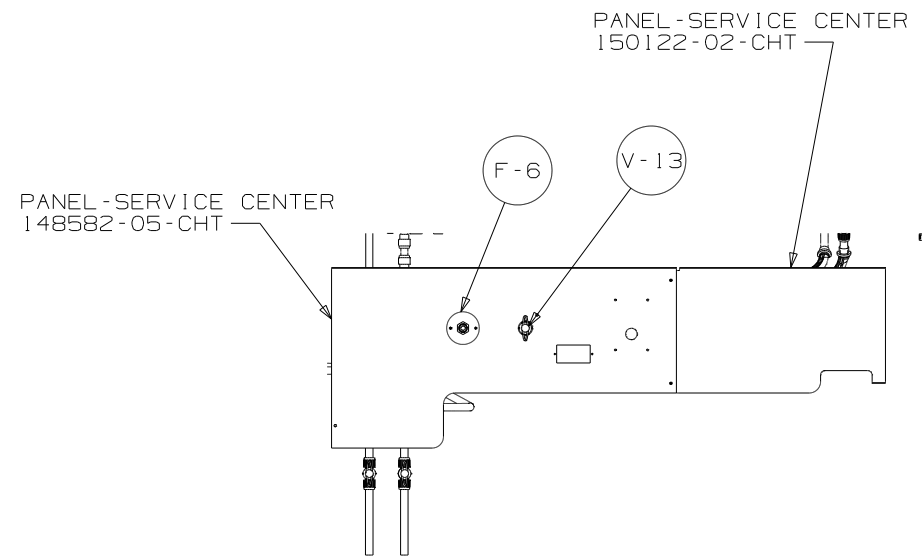
53F WATER HEATER-ELEC.IGNITION

WINNEBAGO		COPYRIGHT 2009 WINNEBAGO INDUSTRIES, INC.	
DFTR	ORIG. DATE	ALL DIMENSIONS ARE IN MILLIMETERS	
CHKR		FIRST USED	
P.E.		09 E32K	
M.E.		UNSPECIFIED TOLERANCES ARE:	
DSNR		MATERIAL:	
		WHOLE DIM (X) :	3
		ONE-PLACE (X.X) :	
		TWO-PLACE (X.XX) :	
		ANGLE :	
THIRD ANGLE PROJECTION		DO NOT SCALE DRAWING	
TITLE: WATER SYSTEM INSTL			
SHEET 1 OF 4	PART NO	167833	REV
REF:	1 4/23/2009		

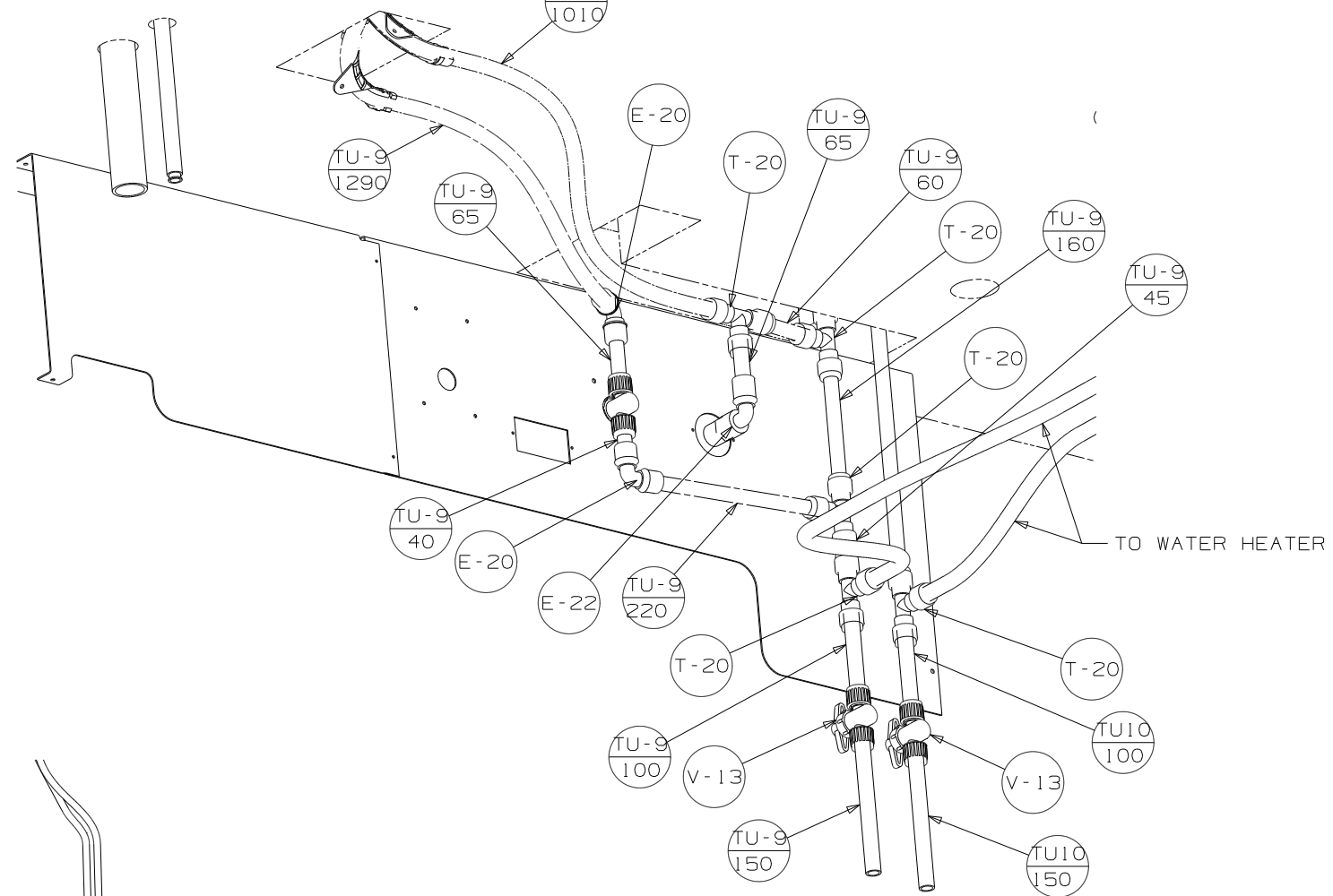
X-X
FOR
WATER
CALLOUTS
SEE DWG NO
116230-01-000



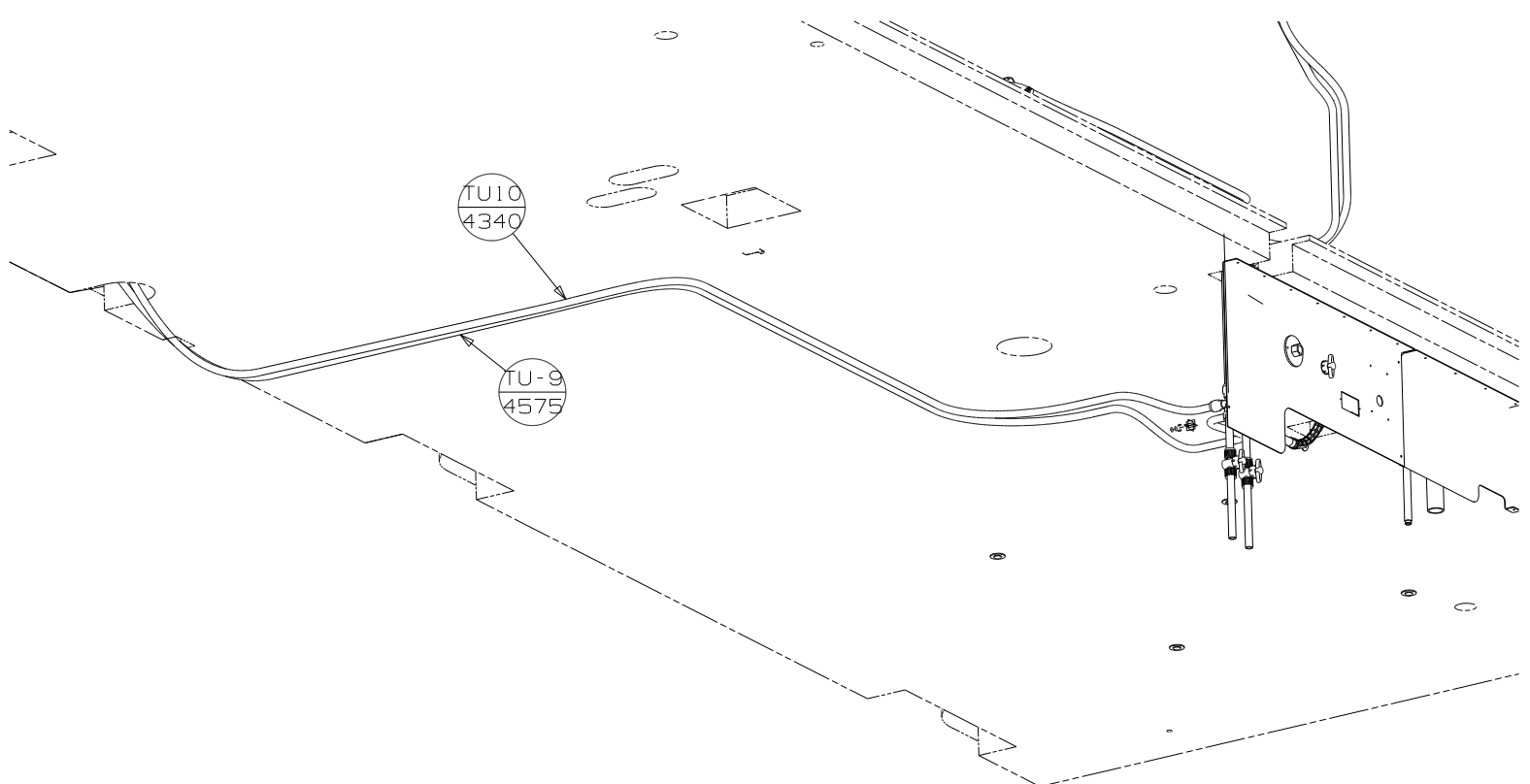
FIRST USED	09 E32K		
TITLE	DO NOT SCALE DRAWING		
TITLE	WATER SYSTEM INSTL		
SHEET 2	PART NO	167833	REV



VIEW E

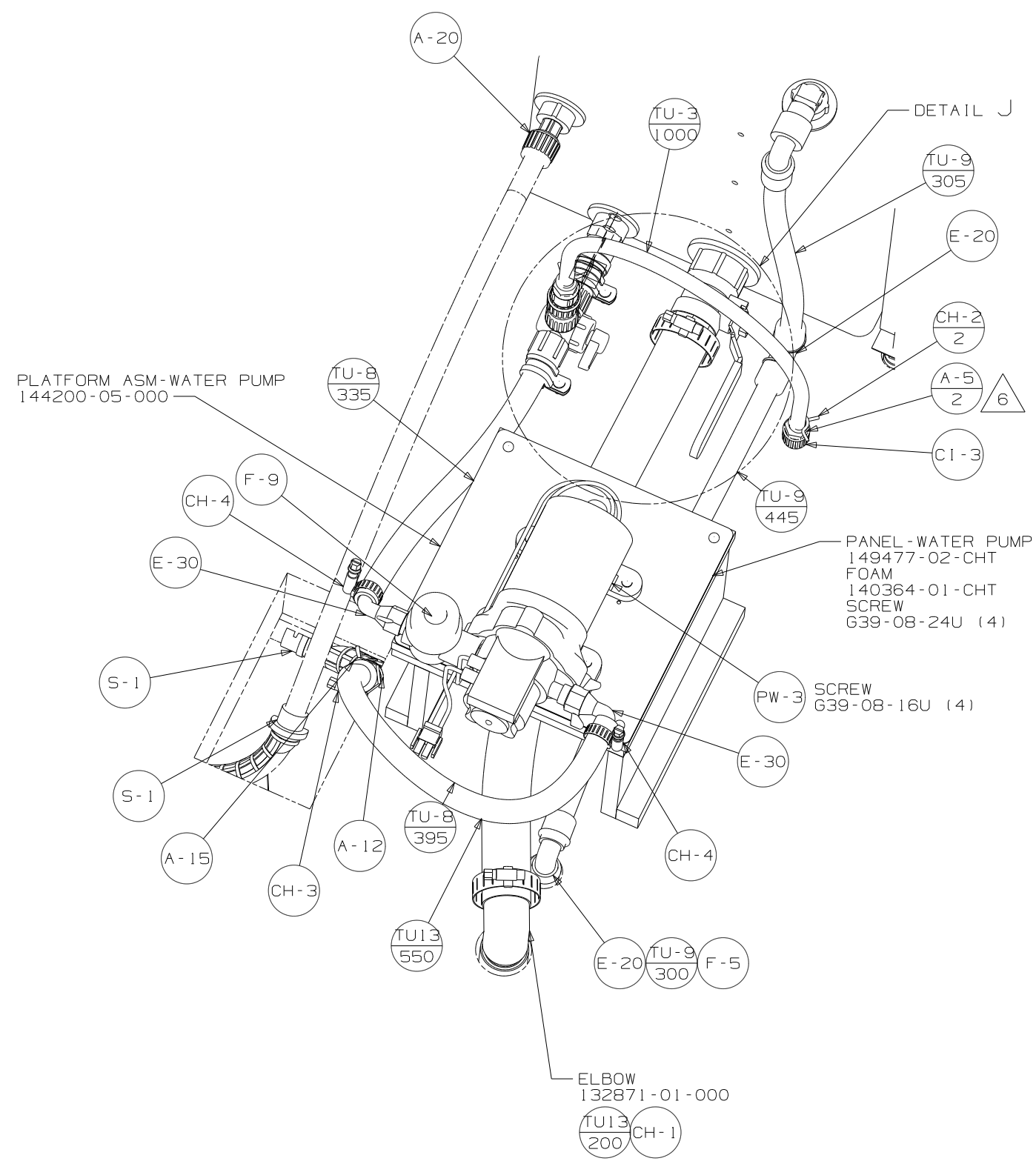


VIEW F

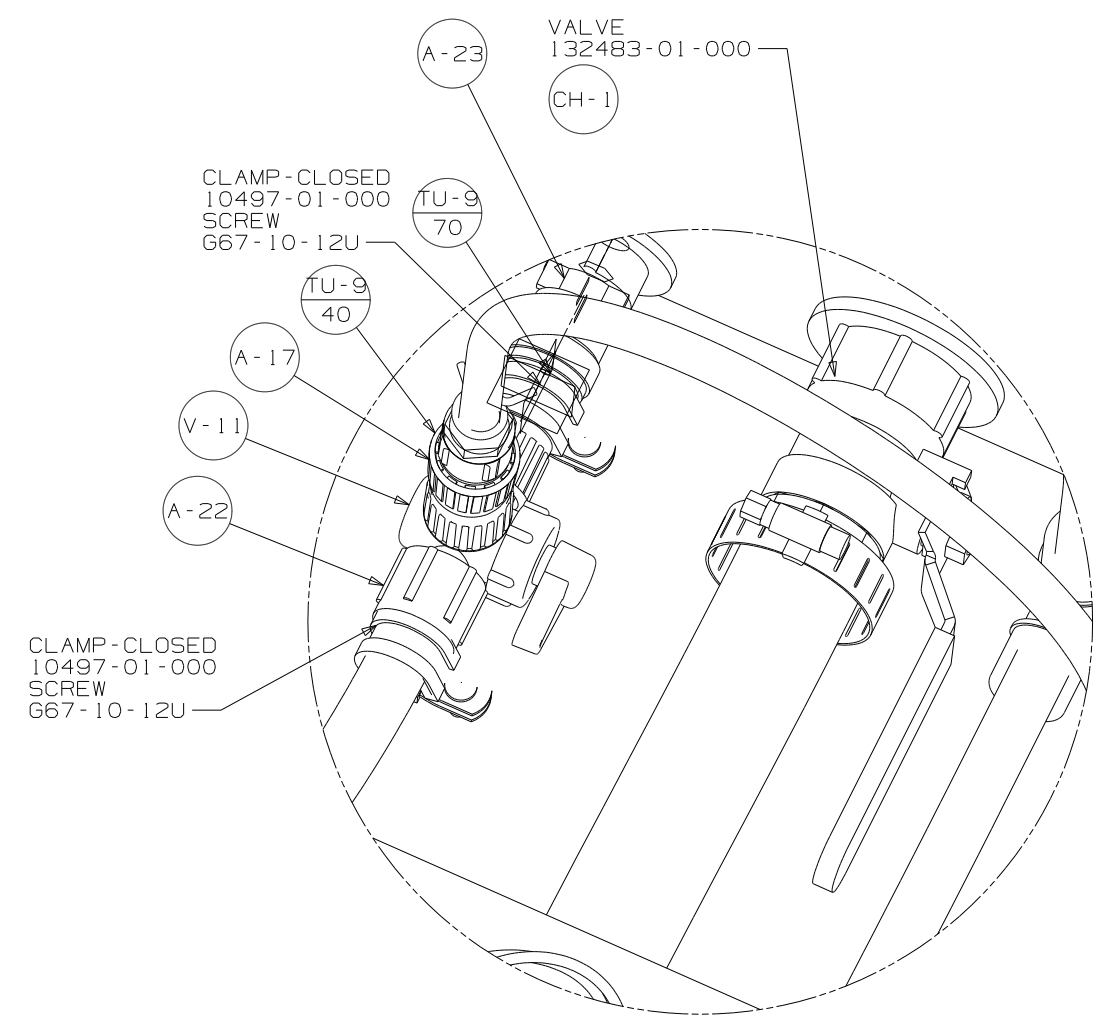


VIEW G

FIRST USED	09 E32K	
TITLE:	DO NOT SCALE DRAWING	
SHEET 3	PART NO	167833
	REV	1 4/23/2009



VIEW H



DETAIL J

FIRST USED	09 E32K
TITLE	DO NOT SCALE DRAWING
	WATER SYSTEM INSTL
SHEET 4	PART NO 167833 REV