

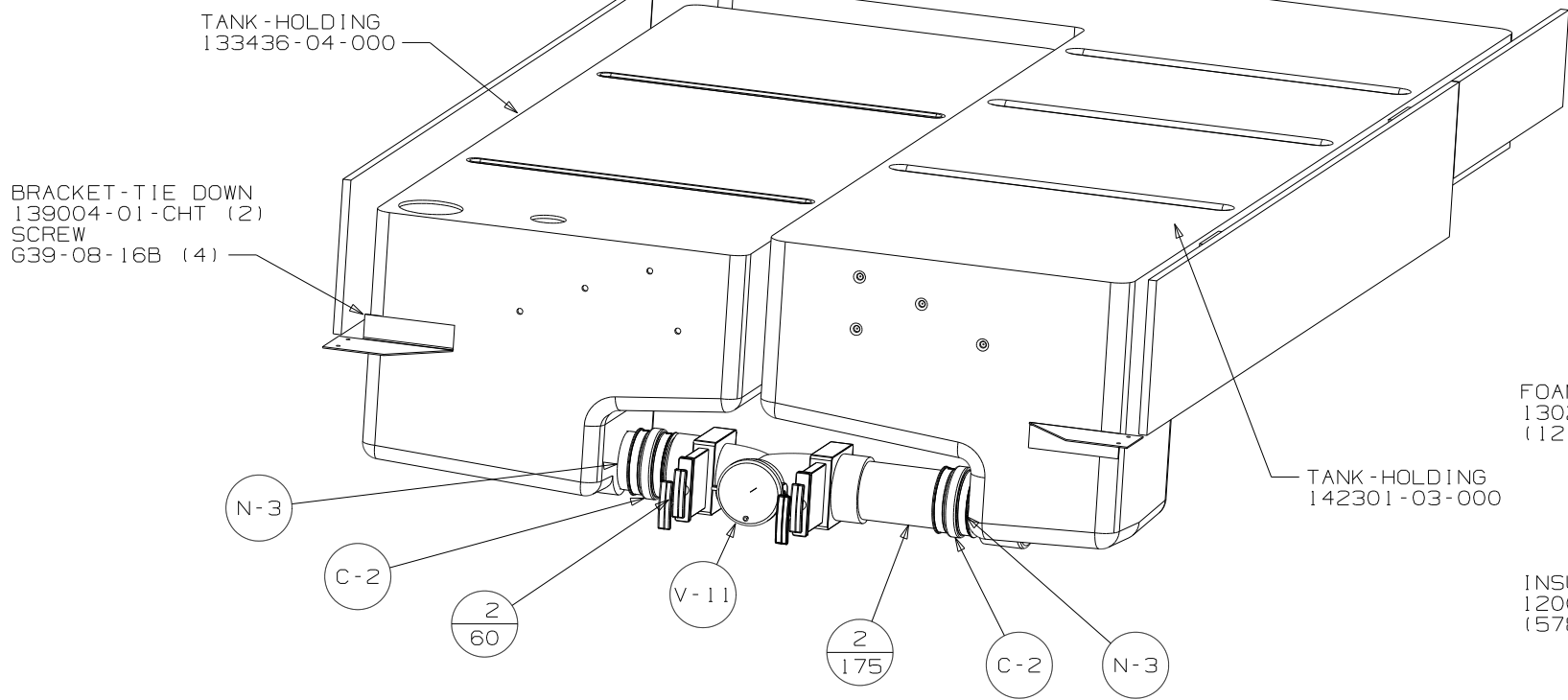
9. USE SMOOTH PLUMBERS PUTTY 167459-01-000 TO SEAL STRAINER (QTY 2).
8. SECURE DRAINAGE PIPES TO CABINET USING WIRE TIE 108046-02-000, AND SCREW G67-10-12B AT INTERVALS OF NOT MORE THAN 4 FEET APART.
7. SECURE VENT PIPE TO FLOOR WITH CLAMP 62401-02-000 (2), SCREW G67-10-12B (2), BRACKET 136878-01-CHT (2).
6. VENT PIPE MUST PROJECT 51 MIN AND 64 MAX ABOVE ROOF FOR PROPER FIT AND FUNCTION.
5. SEAL AROUND SHOWER WITH SILICONE.
4. ALL EXTERIOR OPENINGS AROUND PIPE TO BE SEALED WITH 131264-03-000.
3. ALL PIPE AND FITTINGS TO BE ASSEMBLED WITH SOLVENT 4020-01-000 (USA), 4020-02-000 (CAN)
2. SLOPE OF TRAP ARM MUST BE 6 PER 305 mm.
1. SLOPE OF HORIZONTAL PIPING TO BE MINIMUM OF 3 PER 305 mm.

NOTES:

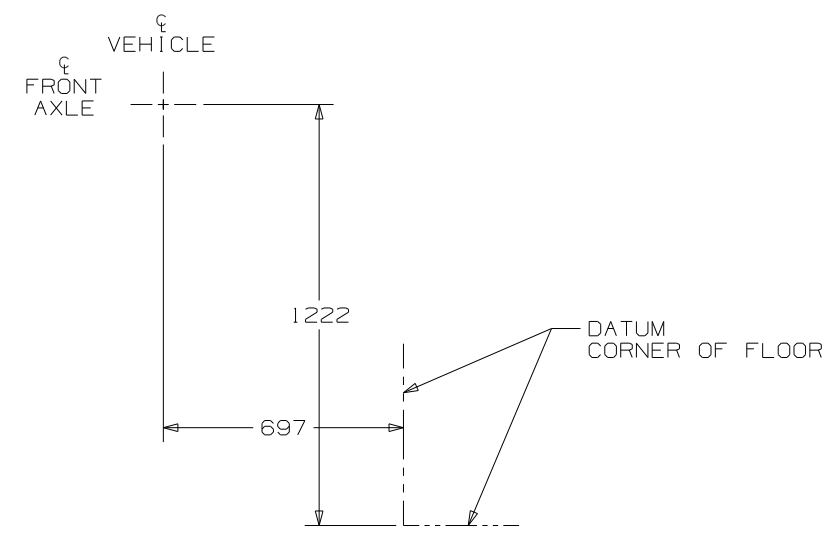
(265) CODES/STDS-CSA/CMVSS
 (1B1) CODES/STANDARDS-USA

WINNEBAGO		COPYRIGHT 2008 WINNEBAGO INDUSTRIES, INC.	
DFT	ORIG. DATE	ALL DIMENSIONS ARE IN MILLIMETERS	
CHKR		FIRST USED	
P.E.		09 E30B	
M.E.		UNSPECIFIED TOLERANCES ARE:	
DSNR		MATERIAL:	
		WHOLE DIM (X) :	3
		ONE-PLACE (X.X) :	
		TWO-PLACE (X.XX) :	
		ANGLE :	
		THIRD ANGLE PROJECTION	
DO NOT SCALE DRAWING			
TITLE: DRAINAGE SYSTEM INSTL			
SHEET 1 OF 3	PART NO	168213	REV

(X-X)
 FOR
 DRAINAGE
 CALLOUTS
 SEE DWG NO
 116229-01-000



VIEW C



VIEW D

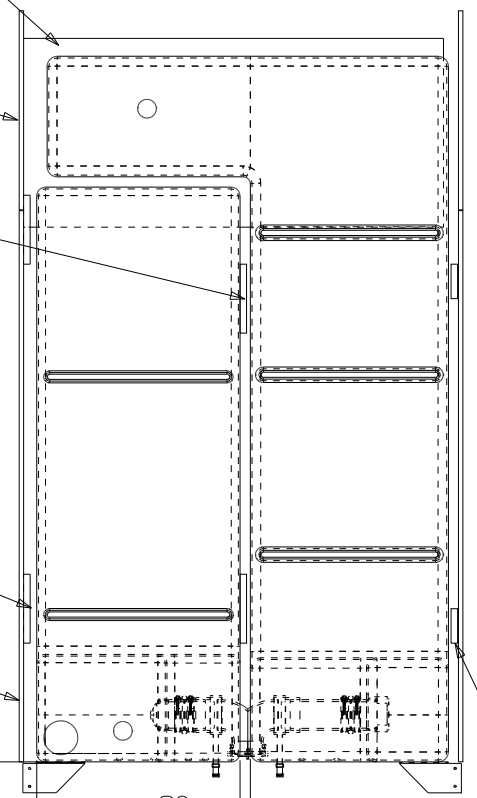
FOAM-SUPPORT, HOLDING TANK
130223-09-000
(1219 X 548 X 75 X 46)

INSULATION-DRAINAGE COMPT
120050-45-000 (2)
(578 X 150 X .5")

INSULATION-DRAINAGE COMPT
120050-47-000 (2)
(200 X 80 X 1.5")

INSULATION-DRAINAGE COMPT
120050-47-000 (2)
(200 X 80 X 1.5")

INSULATION-DRAINAGE COMPT
120050-49-000 (2)
(1600 X 240 X .5")



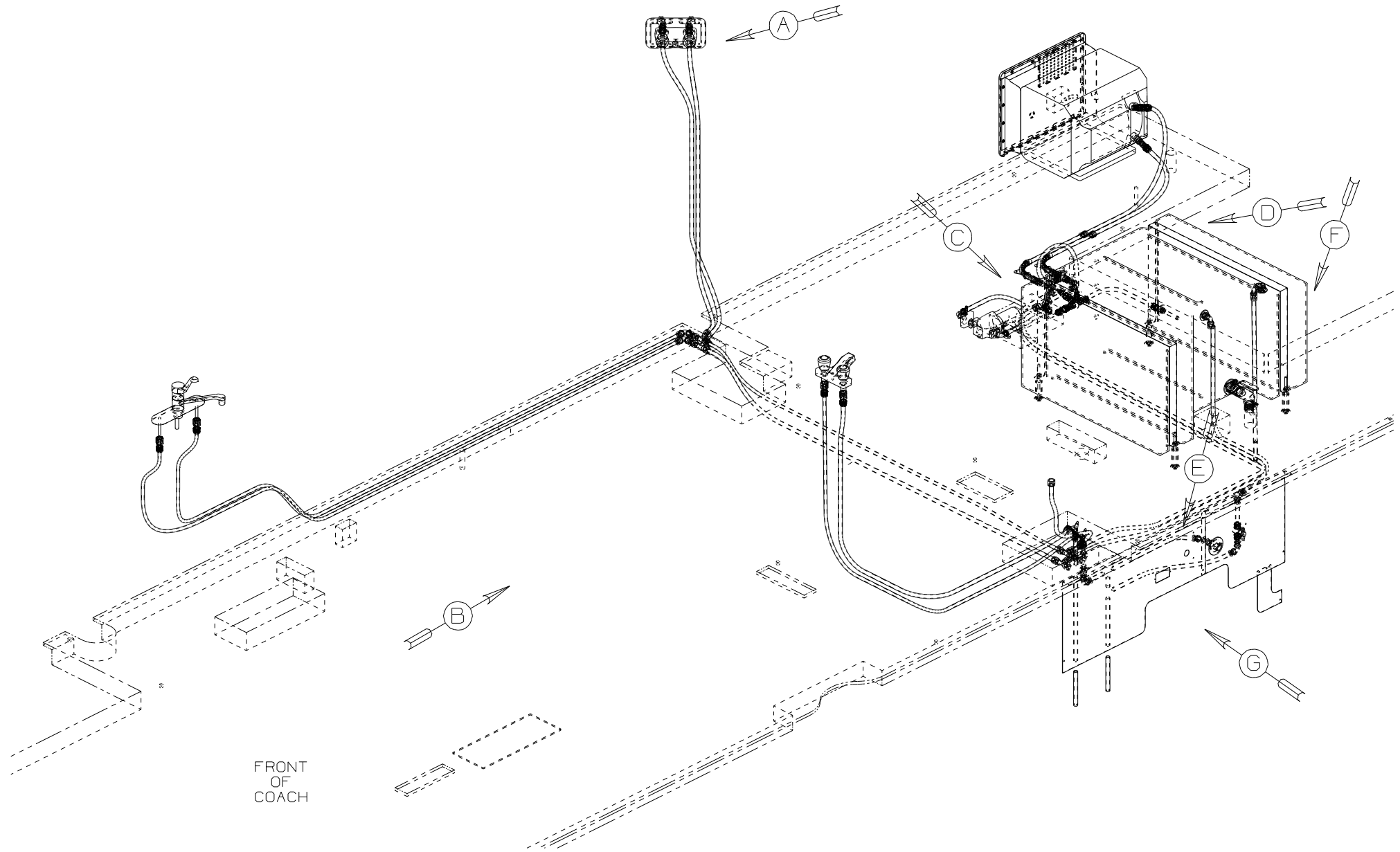
234

30

4715

INSULATION-DRAINAGE COMPT
120050-42-000 (2)
(200 X 100 X .75")

FIRST USED	09 E30B		
TITLE	DO NOT SCALE DRAWING		
	DRAINAGE SYSTEM INSTL		
SHEET 3	PART NO	168213	REV



FRONT OF COACH

- 9 LABEL HOT AND COLD SUPPLY TUBES.
 - 8 TAPE FITTING TO TUBE BEFORE CABINET SET TO PREVENT FITTING FROM MOVING.
 - 7 ADD PIPE WRAP (LADDER SCRAP 110157-02-000) INSULATION.
 - 6 ADD TEFLON TAPE 10405-03-000.
 - 5 ADD TEFLON TAPE 10405-02-000.
 - 4 ADD TEFLON TAPE 10405-01-000.
3. ALL TUBING TO BE SECURED AT 1200 INTERVALS MAXIMUM WITH CLAMP 10495-01-000 AND SCREW G67-10-12B OR EQUIVALENT.
 2. TUBING TO BE INSTALLED WITH SUFFICIENT SLOPE TO PROVIDE DRAINAGE TO NEAREST VALVE.
 1. PLASTIC FITTINGS TO BE SEALED WITH SEALANT 84456-01-000.

NOTES:

(53F) WATER HEATER-ELCE, IGNITION

WINNEBAGO		COPYRIGHT 2008 WINNEBAGO INDUSTRIES, INC.	
DFT	ORIG. DATE	ALL DIMENSIONS ARE IN MILLIMETERS	
CHKR		FIRST USED	
P.E.		09 E30B	
M.E.		UNSPECIFIED TOLERANCES ARE:	
DSNR		MATERIAL:	
		WHOLE DIM (X) :	3
		ONE-PLACE (X.X) :	
		TWO-PLACE (X.XX) :	
		ANGLE :	
THIRD ANGLE PROJECTION		DO NOT SCALE DRAWING	
TITLE: WATER SYSTEM INSTL			
SHEET 1 OF 4	PART NO	168214	REV
REF:	1 1/30/2008		

(X-X)
FOR
WATER
CALLOUTS
SEE DWG NO
116230-01-000

PANEL - SHOWER
78498-01-CHT
NUT - SPEED - U
40921-05-000 (4)

SH-1

E-22
E-22
F-2

FAUCET - LAV, DUAL CONTROL
148886-01-CHT

A-11

S-1

TO TOILET

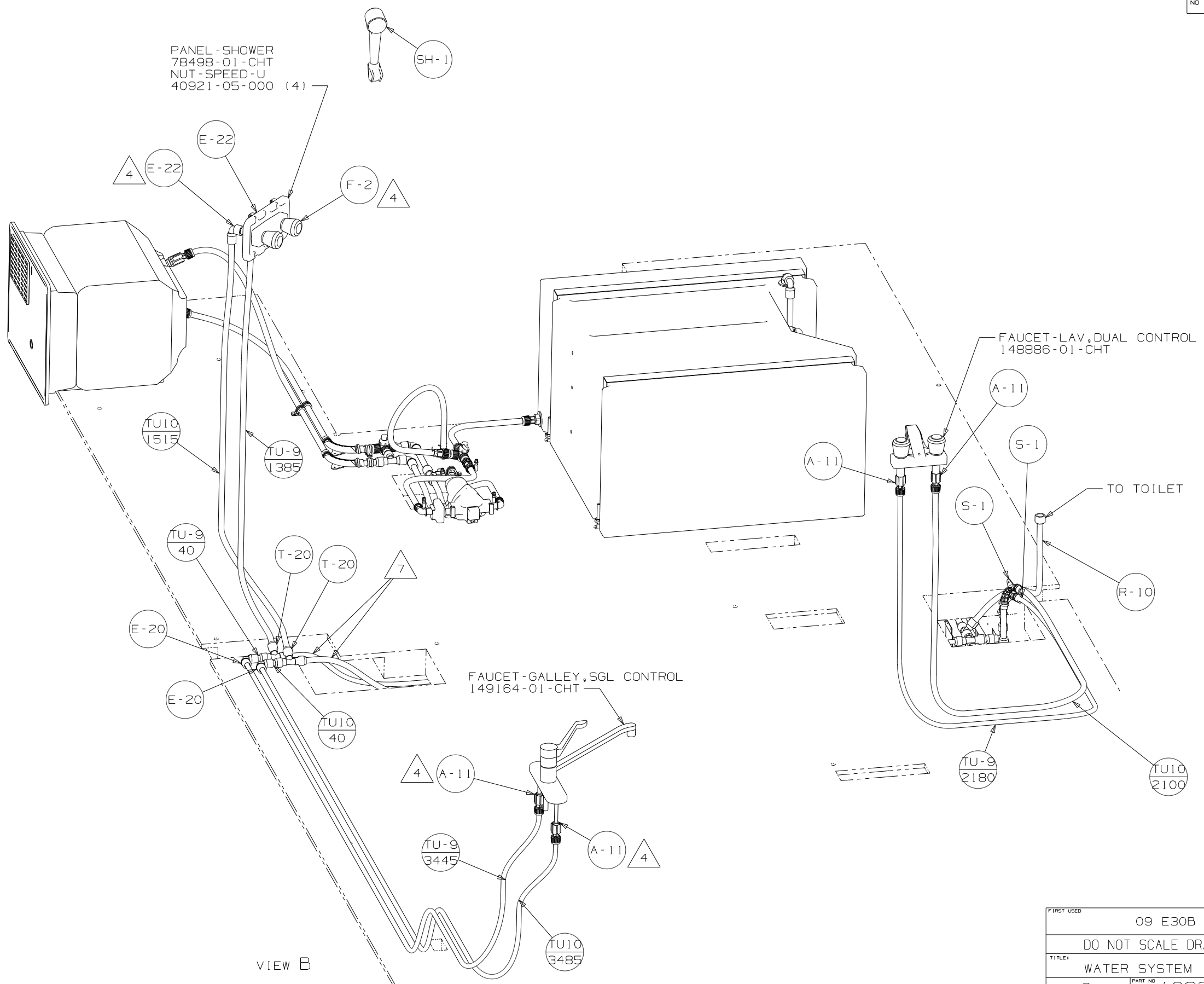
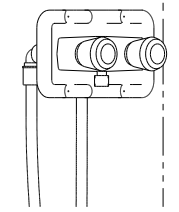
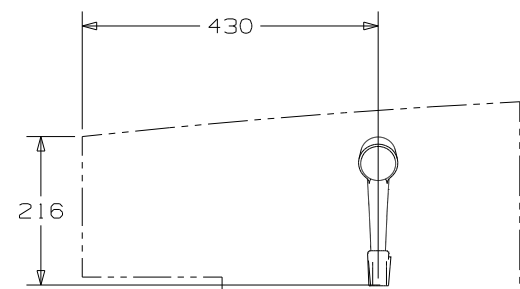
R-10

FAUCET - GALLEY, SGL CONTROL
149164-01-CHT

A-11

A-11

FIRST USED	09 E30B
DO NOT SCALE DRAWING	
TITLE:	WATER SYSTEM INSTL
SHEET 2	PART NO 168214 REV



D
C
B
A

D
C
B
A

8

7

6

5

4

3

2

1

8

7

6

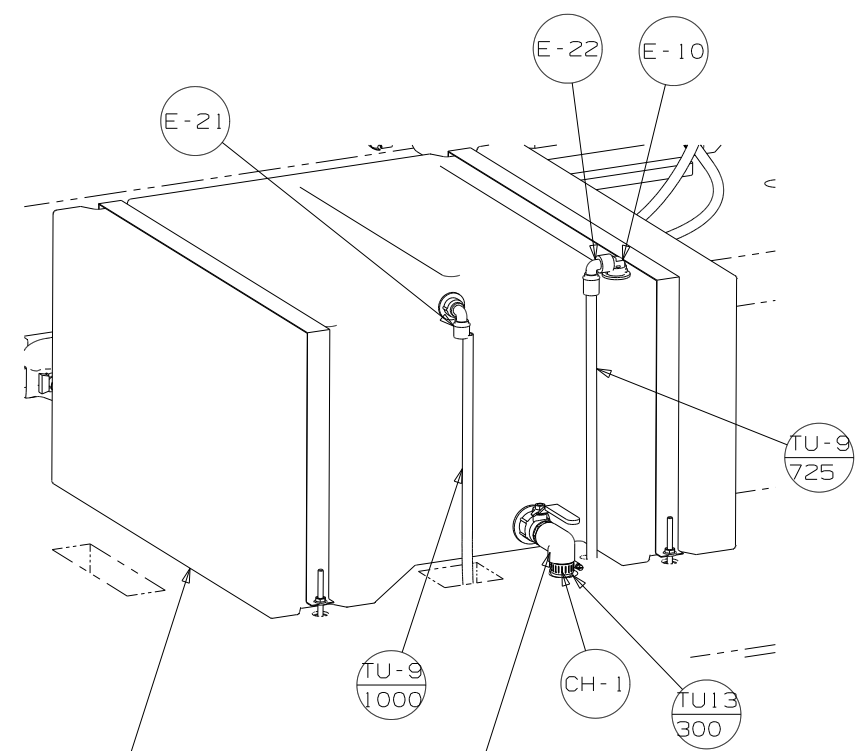
5

4

3

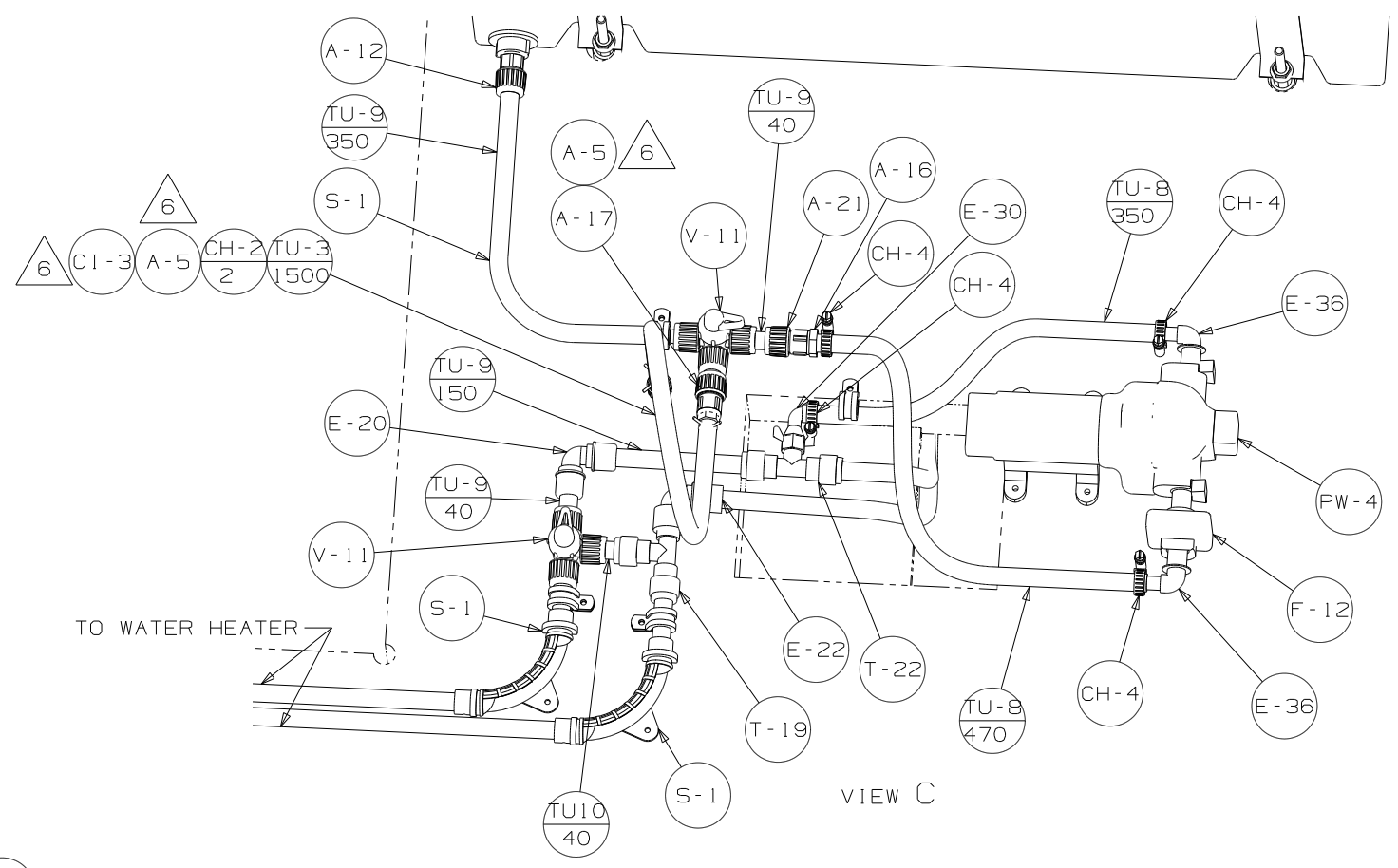
2

1



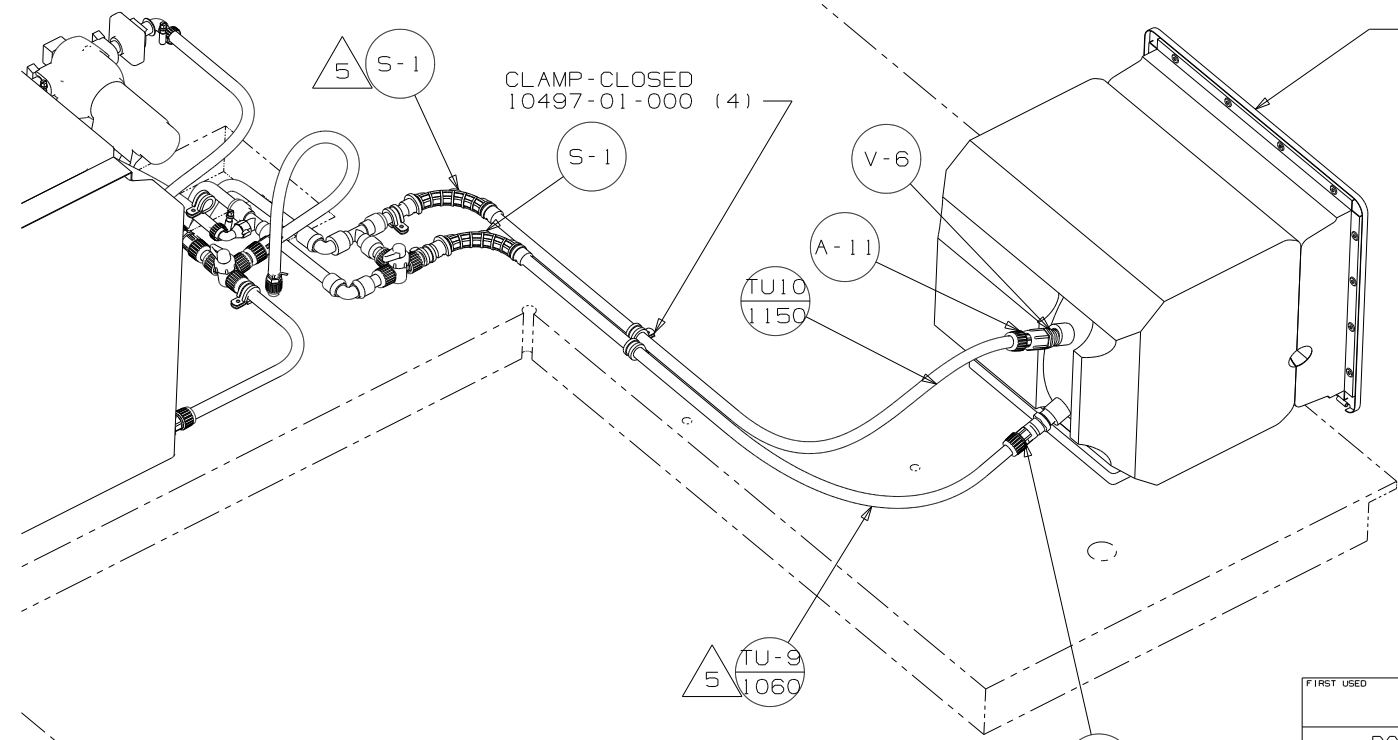
- TANK - WATER
163132-02-000
- STRAP - TANK, WATER
118994-14-CHT (2)
- BOLT
C16-05-96U (4)
- NUT
D39-06-00U (8)
- WASHER
E13-22-00B (4)
- PIPE
10644-51-002 (4)

- ELBOW - PLAS
132782-01-000
- VALVE
132483-01-000



TO WATER HEATER

VIEW C



VIEW D

- WATER HEATER-6 GAL
51391-03-000 (53F)
- DOOR
125420-06-CHT
- PANEL - PLATFORM
143657-01-000
- SCREW
G39-10-48B (2)
- AL EXTR
2726-01-210 (2)
- 2726-01-212 (2)
- SCREW
G39-10-169 (18)
- CABLE
76767-03-000
- SCREW
G11-06-08B (2)
- SEALANT

FIRST USED	09 E30B	
TITLE	DO NOT SCALE DRAWING	
	WATER SYSTEM INSTL	
SHEET 3	PART NO	168214
	REV	

