

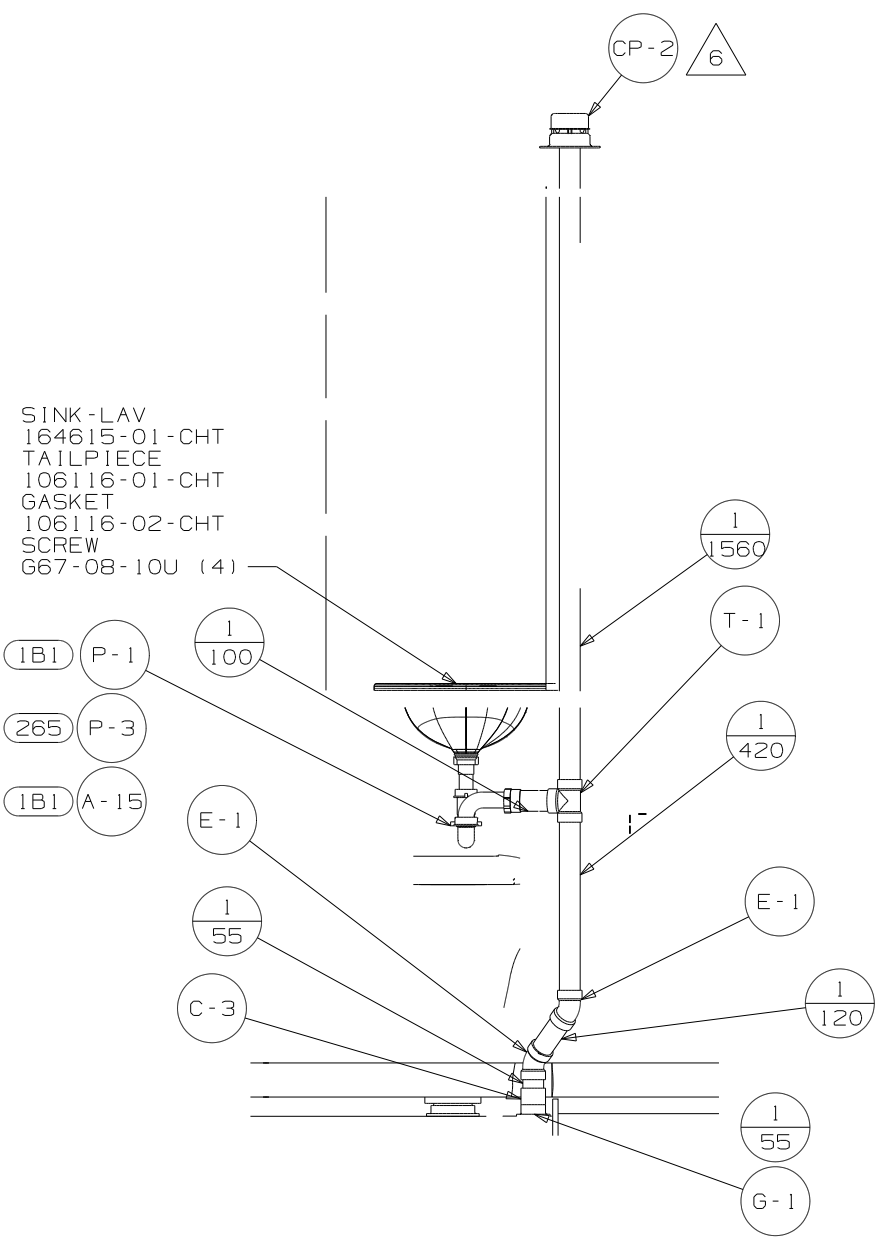
- 8. USE SMOOTH PLUMBER'S PUTTY 167459-0-000 TO SEAL STRAINER(.2 PER STAINER).
- 7. SECURE VENT PIPE TO FLOOR WITH CLAMP 62401-02-000 (2),SCREW G67-10-12B (2), BRACKET 136878-01-CHT (2).
- 6. VENT PIPE MUST PROJECT 51 MIN AND 64 MAX ABOVE ROOF FOR PROPER FIT AND FUNCTION. ADD S-1 (116666-01-CHT SEAL-VENT PIPE) AROUND PIPE ON ROOF BEFORE VENT CAP IS INSTALLED.
- 5. SEAL AROUND SHOWER WITH SILICONE.
- 4. SECURE DRAINAGE PIPES TO CABINET USING WIRE TIE 108046-02-000, AND SCREW G67-10-12B AT INTERVALS OF NOT MORE THAN 4 FEET APART.
- 3. ALL PIPE AND FITTINGS TO BE ASSEMBLED WITH SOLVENT 4020-01-000 (USA), 4020-02-000 (CAN)
- 2. SLOPE OF TRAP ARM MUST BE 6 PER 305 mm.
- 1. SLOPE OF HORIZONTAL PIPING TO BE MINIMUM OF 3 PER 305 mm.

NOTES:

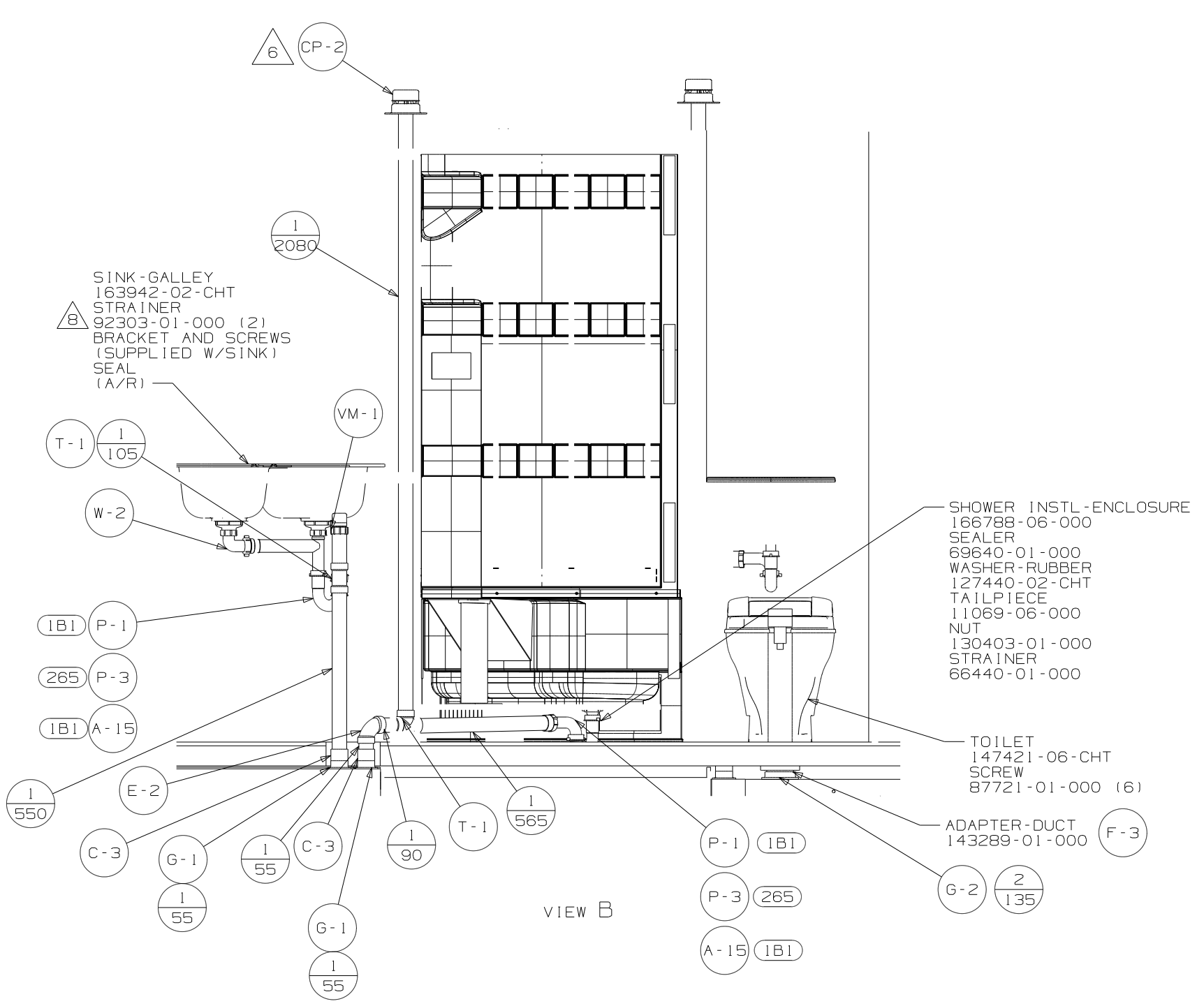
		COPYRIGHT 2009 WINNEBAGO INDUSTRIES, INC.
D/FR	ORIG. DATE	
CHKR	ALL DIMENSIONS ARE IN MILLIMETERS	
P.E.		
M.E.	FIRST USED	
DSNR	09 D37L	
UNSPECIFIED TOLERANCES ARE:		MATERIAL:
WHOLE DIM (X)	: 3	
ONE-PLACE (X.X)	: 1.5	
TWO-PLACE (X.XX)	: 0.50	
ANGLE	: 1°	
THIRD ANGLE PROJECTION		
DO NOT SCALE DRAWING		
TITLE: DRAINAGE SYSTEM INSTL		
SHEET 1 OF 3	PART NO	REV
	168986	
REF:	1 1/28/2009	

FOR DRAINAGE CALLOUTS SEE DWG NO 116229-01-000



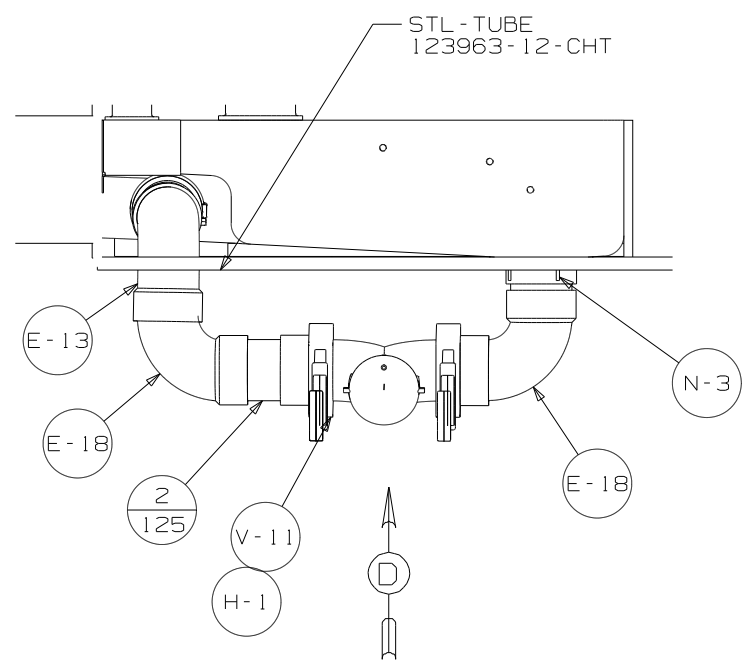


VIEW A

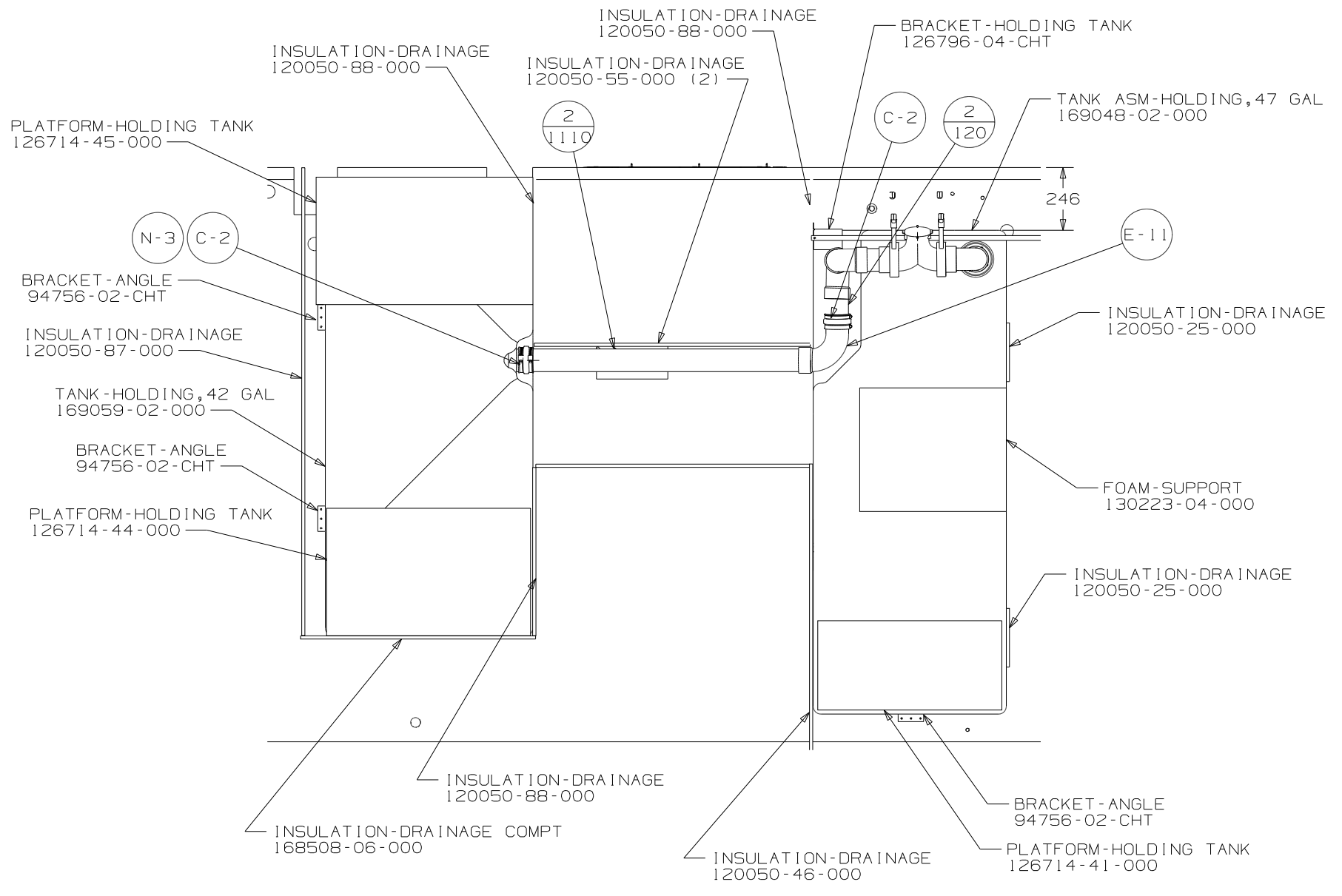


VIEW B

FIRST USED	09 D37L	
TITLE	DO NOT SCALE DRAWING	
	DRAINAGE SYSTEM INSTL	
SHEET 2	PART NO 168986	REV

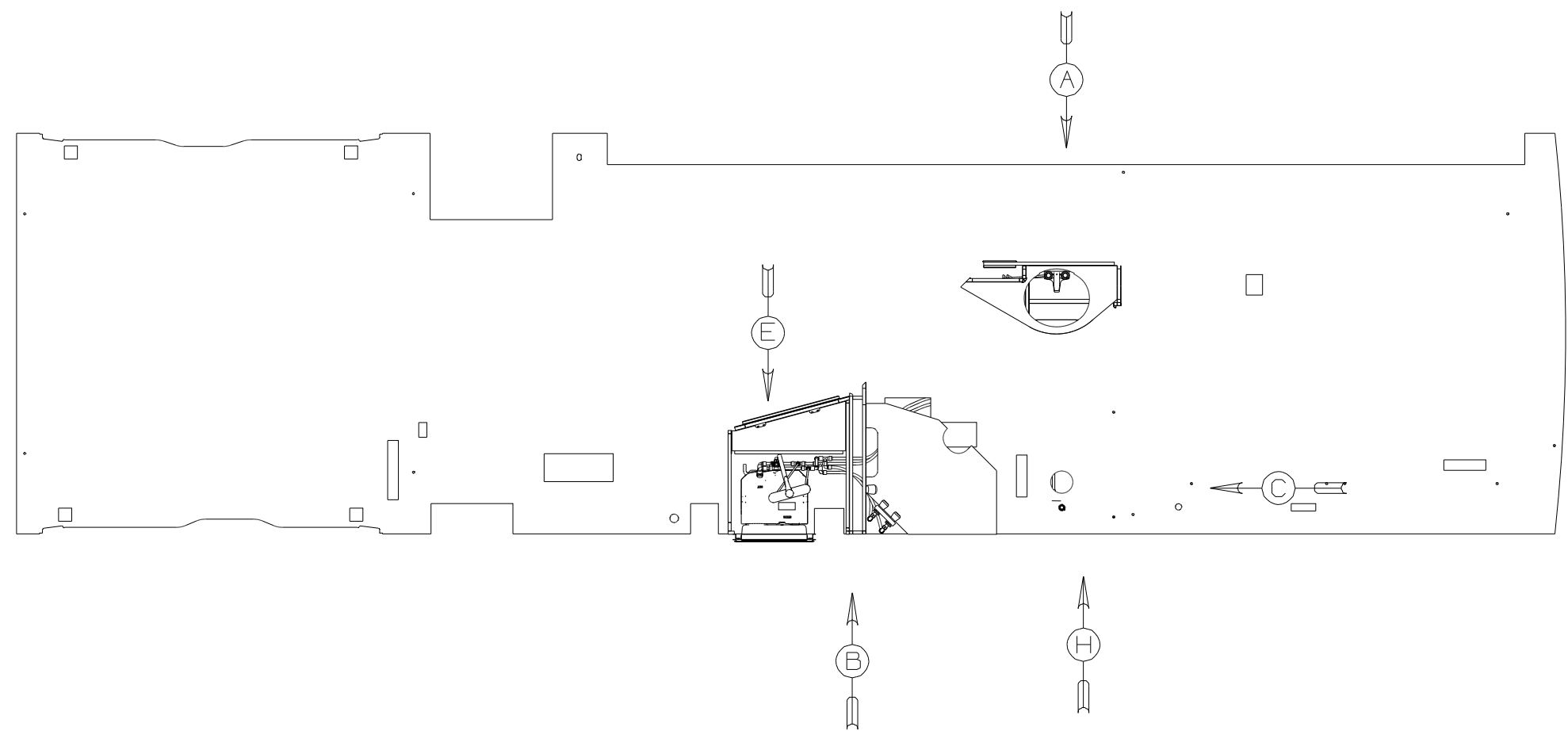


VIEW C



VIEW D

FIRST USED	09 D37L	
TITLE	DO NOT SCALE DRAWING	
	DRAINAGE SYSTEM INSTL	
SHEET 3	PART NO 168986	REV

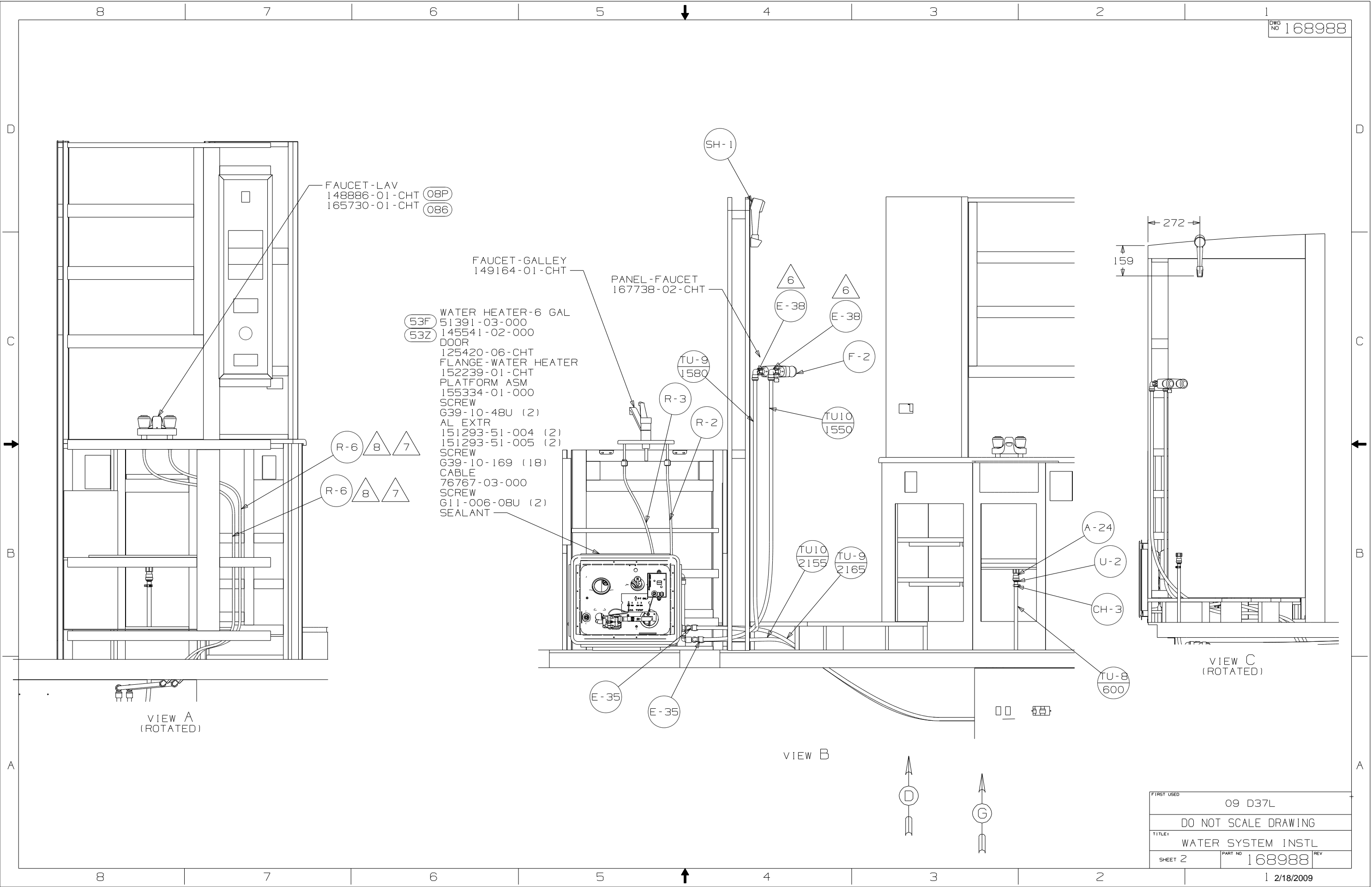


- (08P) INTERIOR UPGRADE - WITHOUT
- (086) INTERIOR UPGRADE PACKAGE
- (53F) WATER HEATER-ELEC IGNITION
- (64R) EXTERIOR WASH STATION
- (1J4) EXT WASH STATION-WITHOUT
- (53Z) WTR HTR-6GAL/110/LP/MTR/AUTO

- 9 ADD TEFLON TAPE 10405-03-000.
  - 8 LABEL HOT AND COLD SUPPLY TUBES.
  - 7 TAPE FITTING TO TUBE BEFORE CABINET SET TO PREVENT FITTING FROM MOVING.
  - 6 ADD TEFLON TAPE 10405-01-000.
  - 5 ADD TEFLON TAPE 10405-02-000.
  - 4 ADD PIPE WRAP (LADDER SCRAP) INSULATION HERE.
3. ALL TUBING TO BE SECURED AT 1200 INTERVALS MAXIMUM WITH CLAMP 10495-01-000 AND SCREW G67-10-12B OR EQUIVALENT..
  2. TUBING TO BE INSTALLED WITH SUFFICIENT SLOPE TO PROVIDE DRAINAGE TO NEAREST VALVE.
  1. PLASTIC FITTINGS TO BE SEALED WITH SEALANT 84456-01-000.

<b>WINNEBAGO</b>		COPYRIGHT 2009 WINNEBAGO INDUSTRIES, INC.	
DFTR	ORIG. DATE	ALL DIMENSIONS ARE IN MILLIMETERS	
CHKR		MATERIAL:	
P.E.		WHOLE DIM (X) :	3
M.E.	FIRST USED	ONE-PLACE (X.X) :	
DSNR	09 D37L	TWO-PLACE (X.XX) :	
UNSPECIFIED TOLERANCES ARE:		ANGLE :	
THIRD ANGLE PROJECTION		DO NOT SCALE DRAWING	
TITLE: WATER SYSTEM INSTL			
SHEET 1 OF 4	PART NO	168988	REV
REF:		1 2/18/2009	

(X-X)  
FOR  
WATER  
CALLOUTS  
SEE DWG NO  
116230-01-000



FAUCET-LAV  
148886-01-CHT (08P)  
165730-01-CHT (086)

FAUCET-GALLEY  
149164-01-CHT

PANEL-FAUCET  
167738-02-CHT

- (53F) WATER HEATER-6 GAL
- 51391-03-000
- (53Z) 145541-02-000
- DOOR
- 125420-06-CHT
- FLANGE-WATER HEATER
- 152239-01-CHT
- PLATFORM ASM
- 155334-01-000
- SCREW
- G39-10-48U (2)
- AL EXTR
- 151293-51-004 (2)
- 151293-51-005 (2)
- SCREW
- G39-10-169 (18)
- CABLE
- 76767-03-000
- SCREW
- G11-006-08U (2)
- SEALANT

R-6 (8) (7)  
R-6 (8) (7)

SH-1

(6) E-38 (6) E-38

TU-9 1580

R-3

R-2

F-2

TU10 1550

TU10 2155

TU-9 2165

A-24

U-2

CH-3

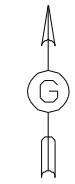
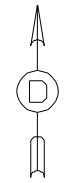
TU-8 600

159  
272

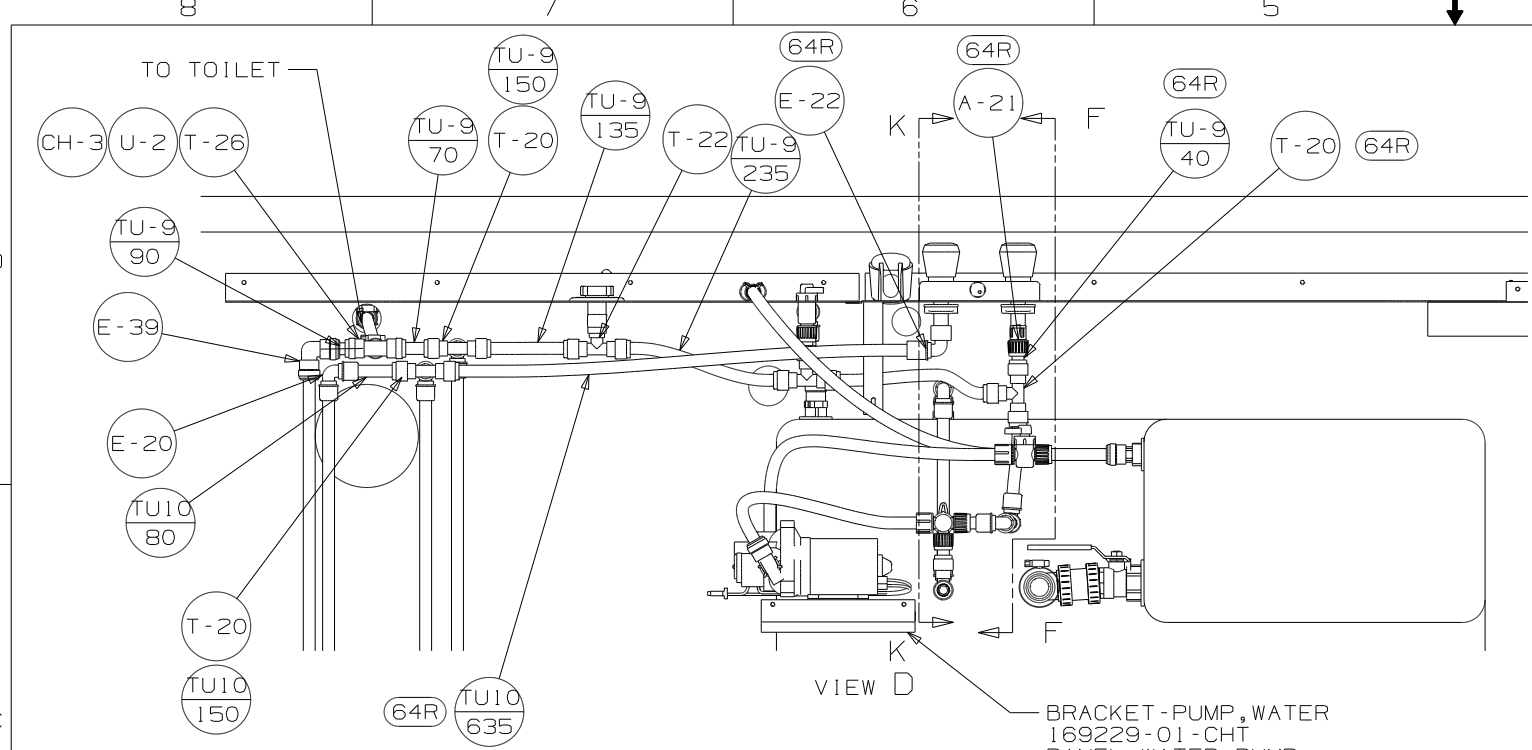
VIEW A (ROTATED)

VIEW B

VIEW C (ROTATED)

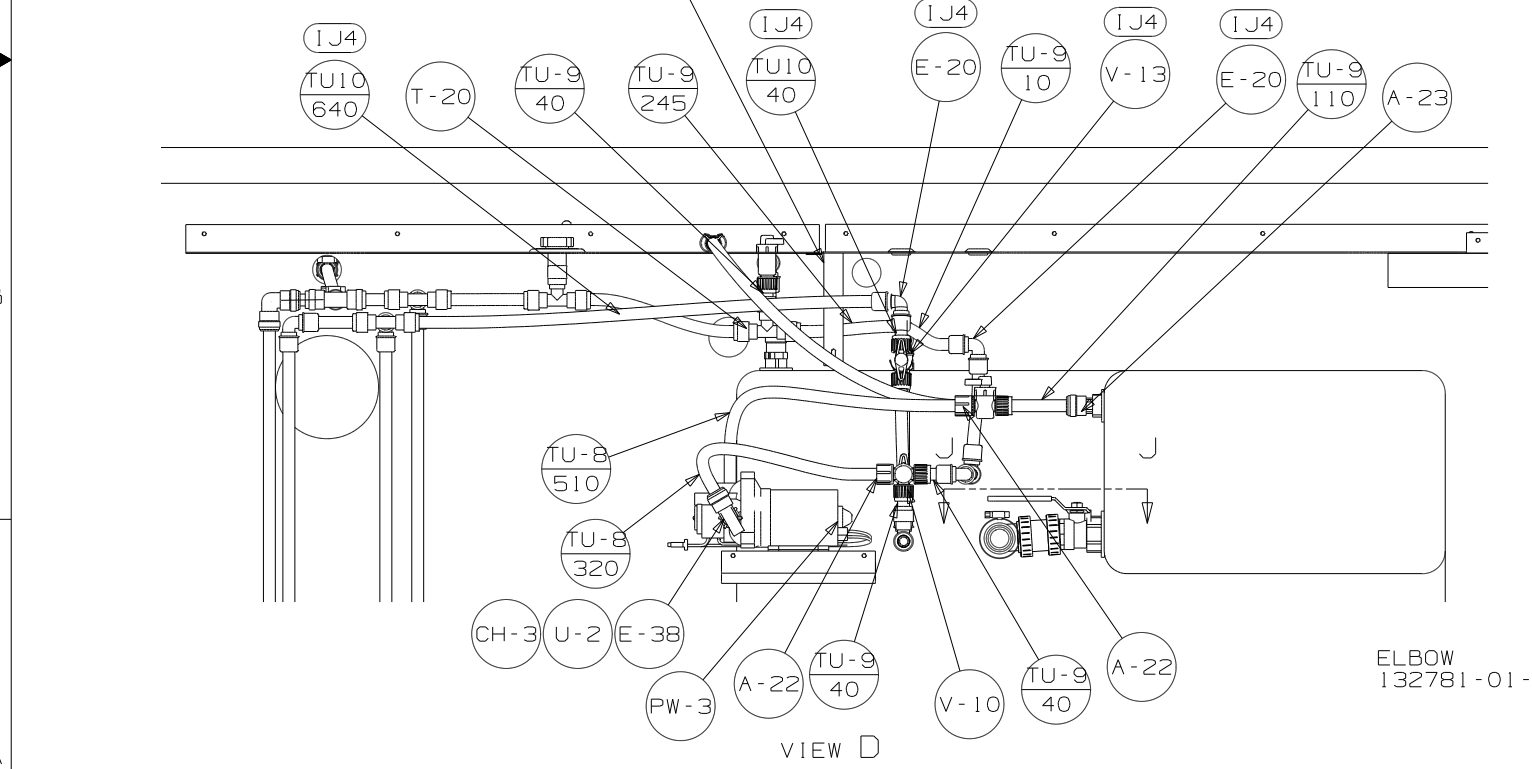


FIRST USED	09 D37L
TITLE	DO NOT SCALE DRAWING
TITLE	WATER SYSTEM INSTL
SHEET 2	PART NO 168988 REV
1 2/18/2009	

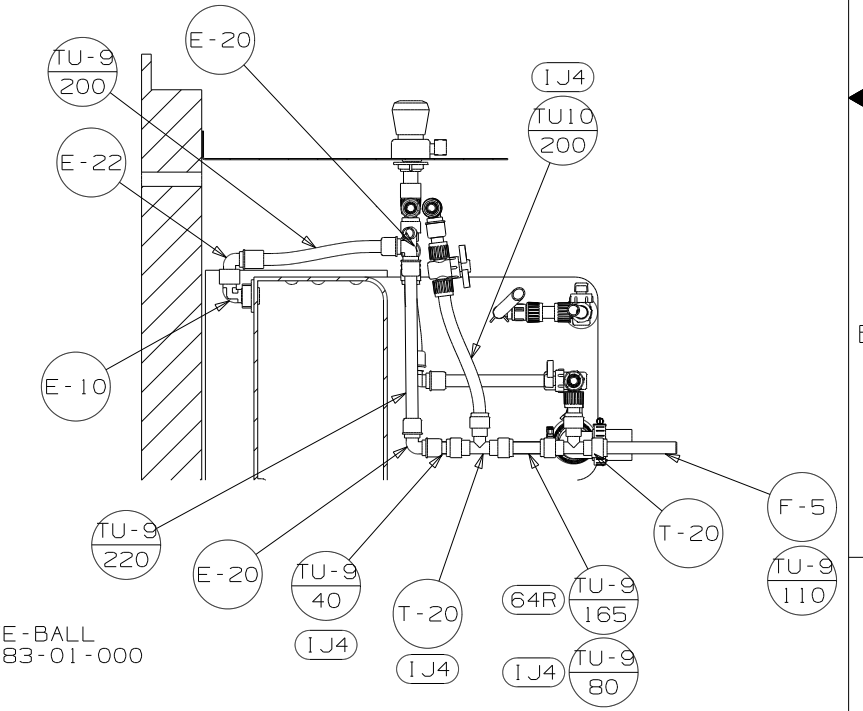
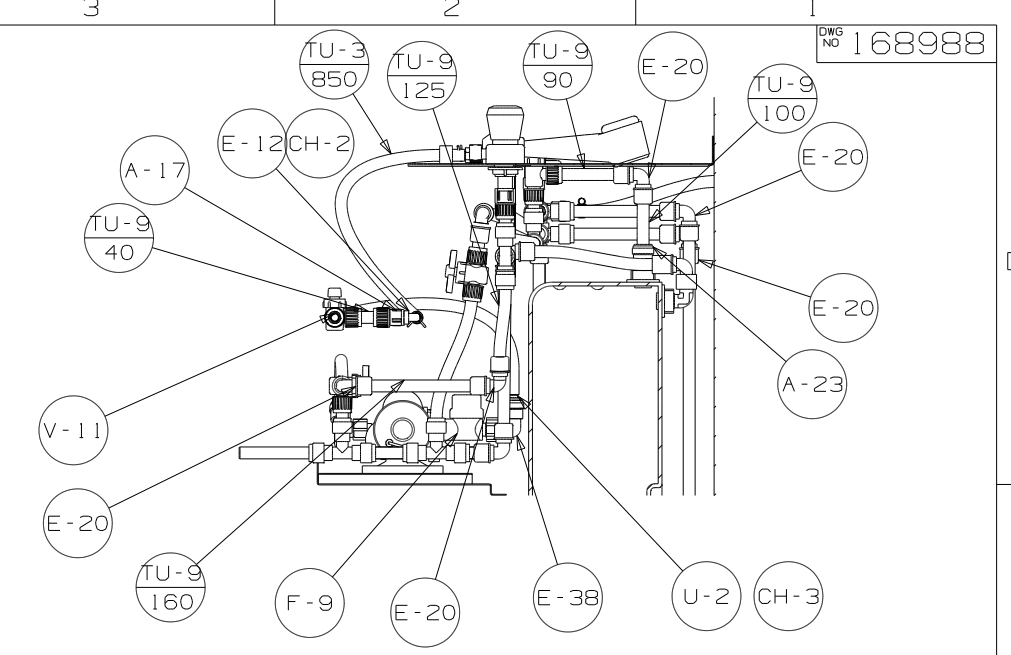
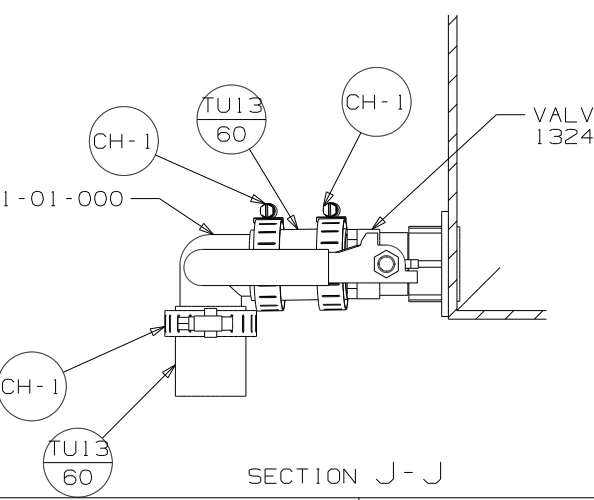


BRACKET - PUMP, WATER  
169229-01-CHT  
PANEL - WATER PUMP  
149477-04-CHT  
FOAM-PAD  
140364-01-CHT

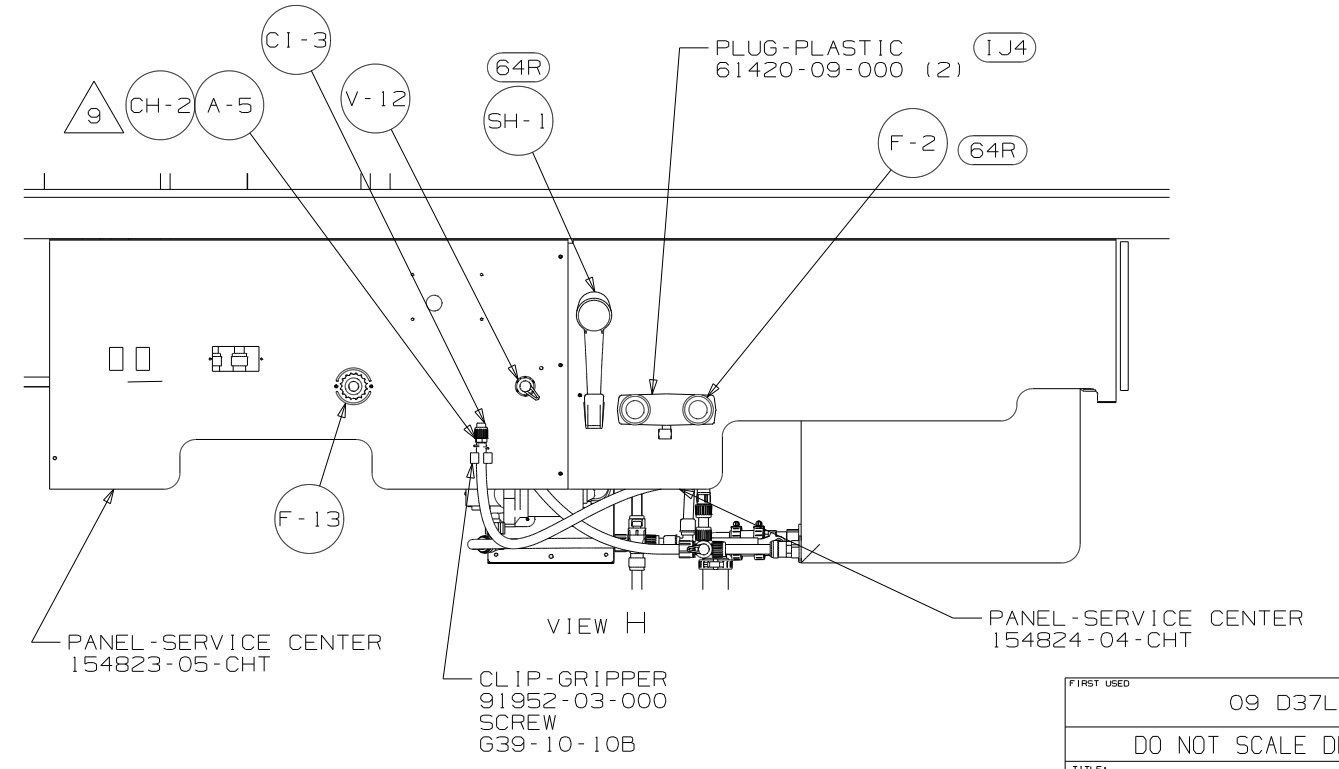
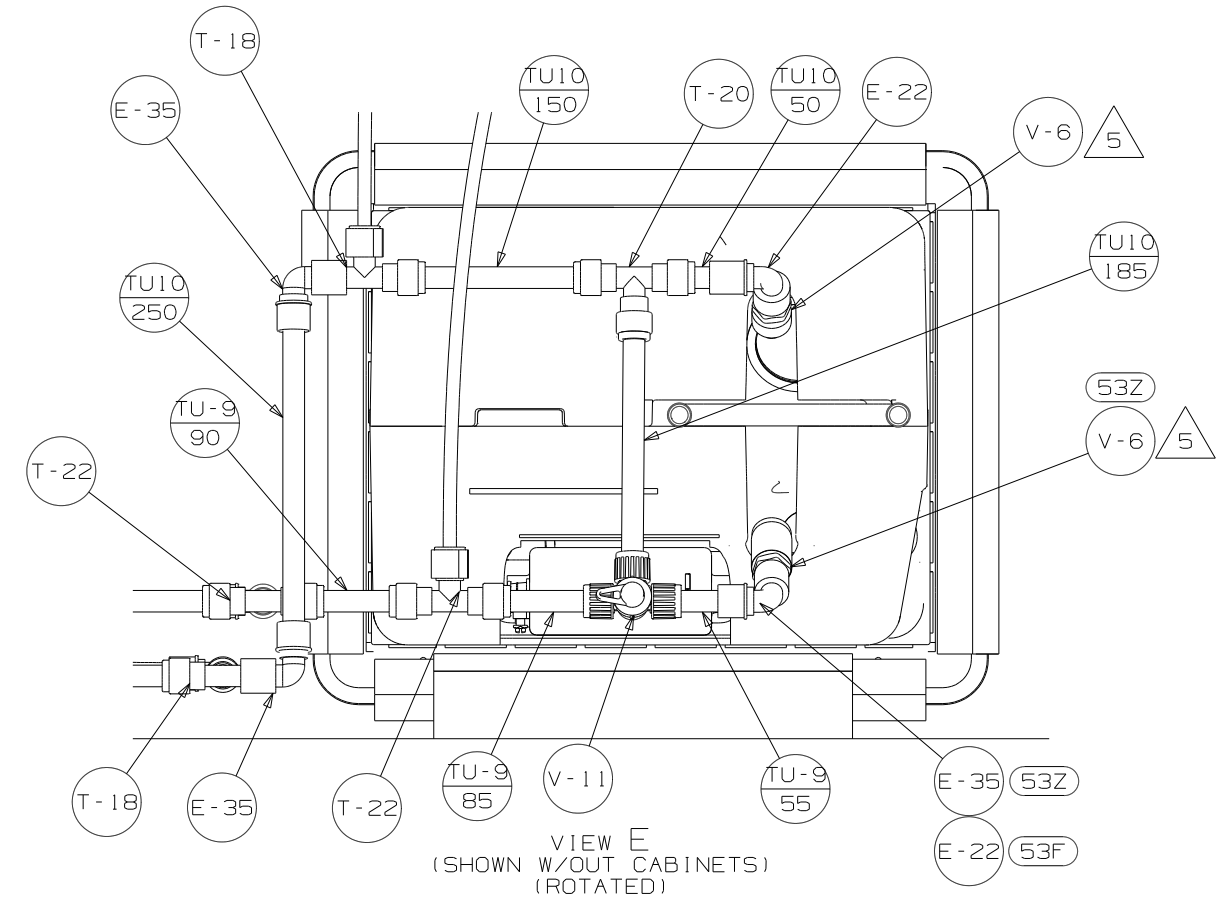
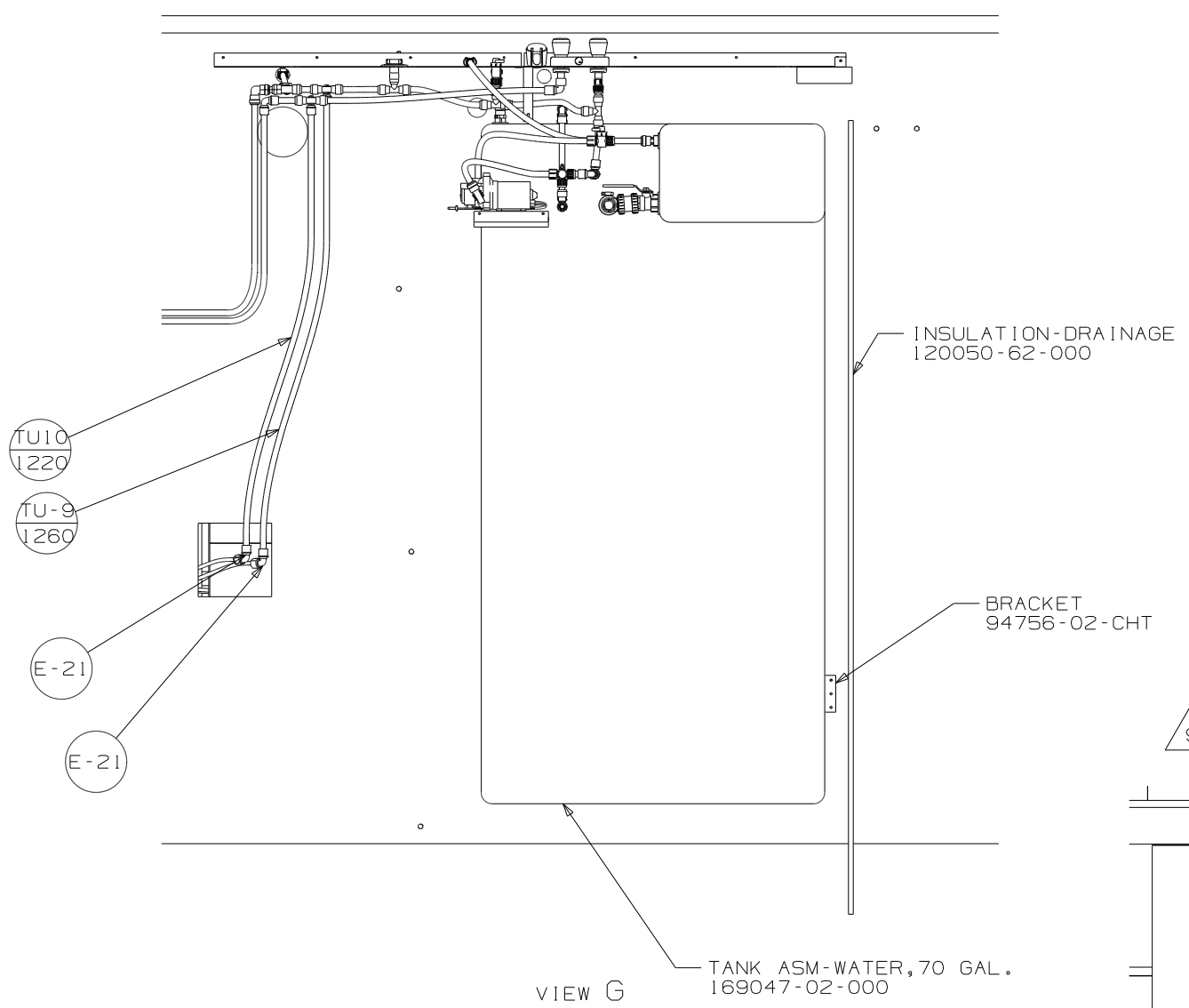
BRACKET - PANEL, SERVICE  
169261-01-CHT



ELBOW  
132781-01-000



FIRST USED	09 D37L		
TITLE	DO NOT SCALE DRAWING		
TITLE	WATER SYSTEM INSTL		
SHEET 3	PART NO	168988	REV



FIRST USED	09 D37L
TITLE	DO NOT SCALE DRAWING
TITLE	WATER SYSTEM INSTL
SHEET 4	PART NO 168988 REV