

FRONT
OF
COACH

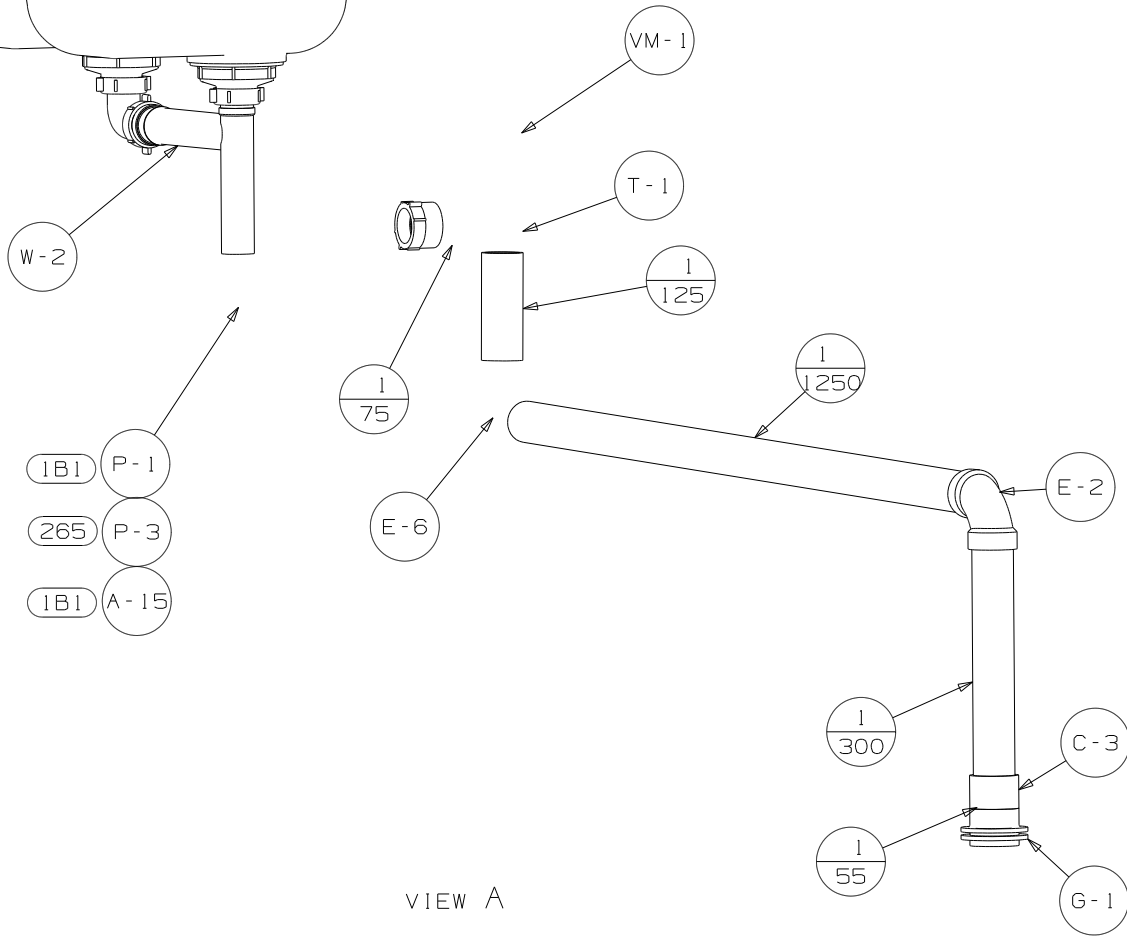
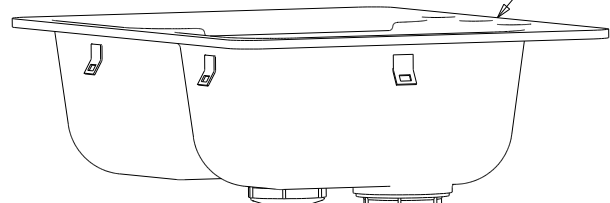
- 8 USE SMOOTH PLUMBERS PUTTY 167459-01-000 TO SEAL STRAINER (0.2 PER STRAINER).
- 7 SECURE VENT PIPE TO FLOOR WITH CLAMP 62401-02-000 (2), SCREW G67-10-12B (2), BRACKET 136878-01-CHT (2).
- 6 VENT PIPE MUST PROJECT 51 MIN AND 64 MAX ABOVE ROOF FOR PROPER FIT AND FUNCTION. ADD S-1 (116666-01-CHT SEAL-VENT PIPE) AROUND PIPE ON ROOF BEFORE VENT CAP IS INSTALLED.
- 5. SEAL AROUND SHOWER WITH SILICONE.
- 4. SECURE DRAINAGE PIPES TO CABINET USING WIRE TIE 108046-02-000, AND SCREW G67-10-12B AT INTERVALS OF NOT MORE THAN 4 FEET APART.
- 3. ALL PIPE AND FITTINGS TO BE ASSEMBLED WITH SOLVENT 4020-01-000 (USA), 4020-02-000 (CAN)
- 2. SLOPE OF TRAP ARM MUST BE 6 PER 305 mm.
- 1. SLOPE OF HORIZONTAL PIPING TO BE MINIMUM OF 3 PER 305 mm.

NOTES:

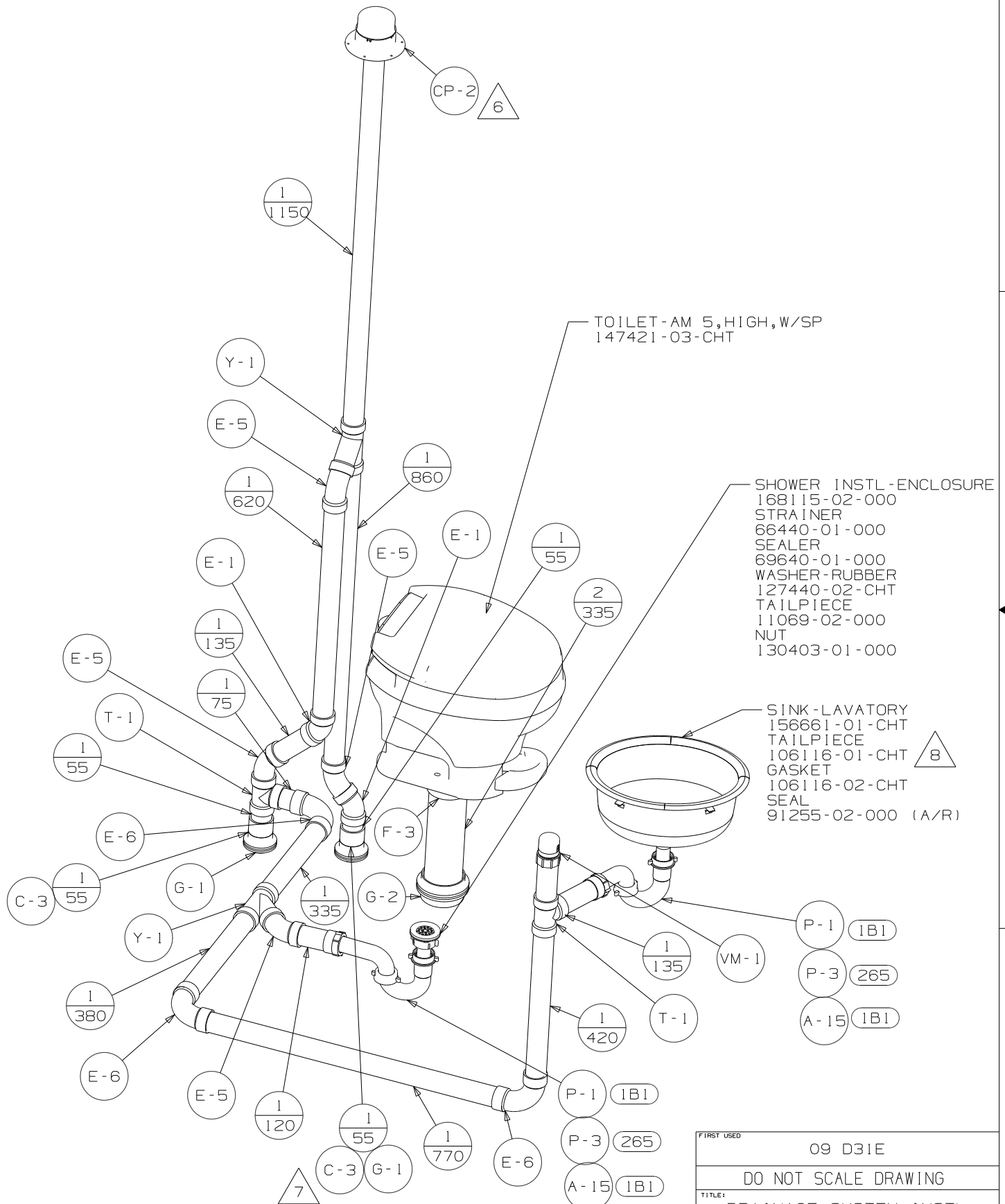
WINNEBAGO		COPYRIGHT 2008 WINNEBAGO INDUSTRIES, INC.	
D/FR	ORIG. DATE	ALL DIMENSIONS ARE IN MILLIMETERS	
CHKR		FIRST USED	
P.E.		09 D31E	
M.E.		UNSPECIFIED TOLERANCES ARE:	
DSNR		MATERIAL:	
		WHOLE DIM (X) :	3
		ONE-PLACE (X.X) :	
		TWO-PLACE (X.XX) :	
		ANGLE :	
		THIRD ANGLE PROJECTION	
DO NOT SCALE DRAWING			
TITLE: DRAINAGE SYSTEM INSTL			
SHEET 1 OF 3	PART NO 165976	REV	
REF:	1 10/10/2008		

FOR
DRAINAGE
CALLOUTS
SEE DWG NO
116229-01-000

SINK-SMC, DBL L/S BASIN
 163942-02-CHT (US/CAN)
 STRAINER
 92303-01-000 (2) \triangle
 BRACKET & SCREW
 (SUPPLIED WITH TANK) (8)
 SEAL
 (A/R)



VIEW A

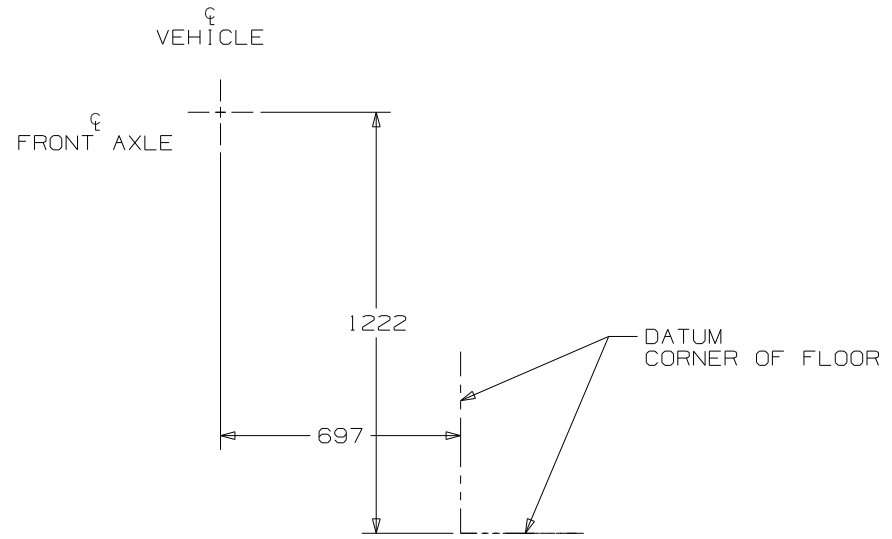


VIEW B

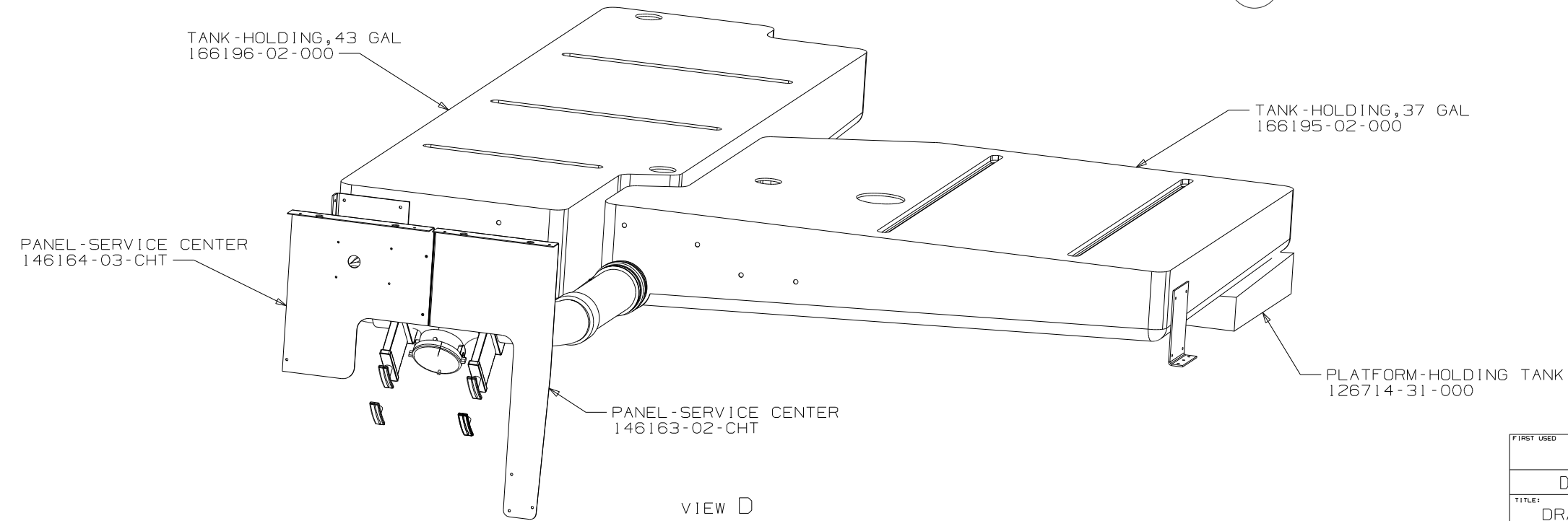
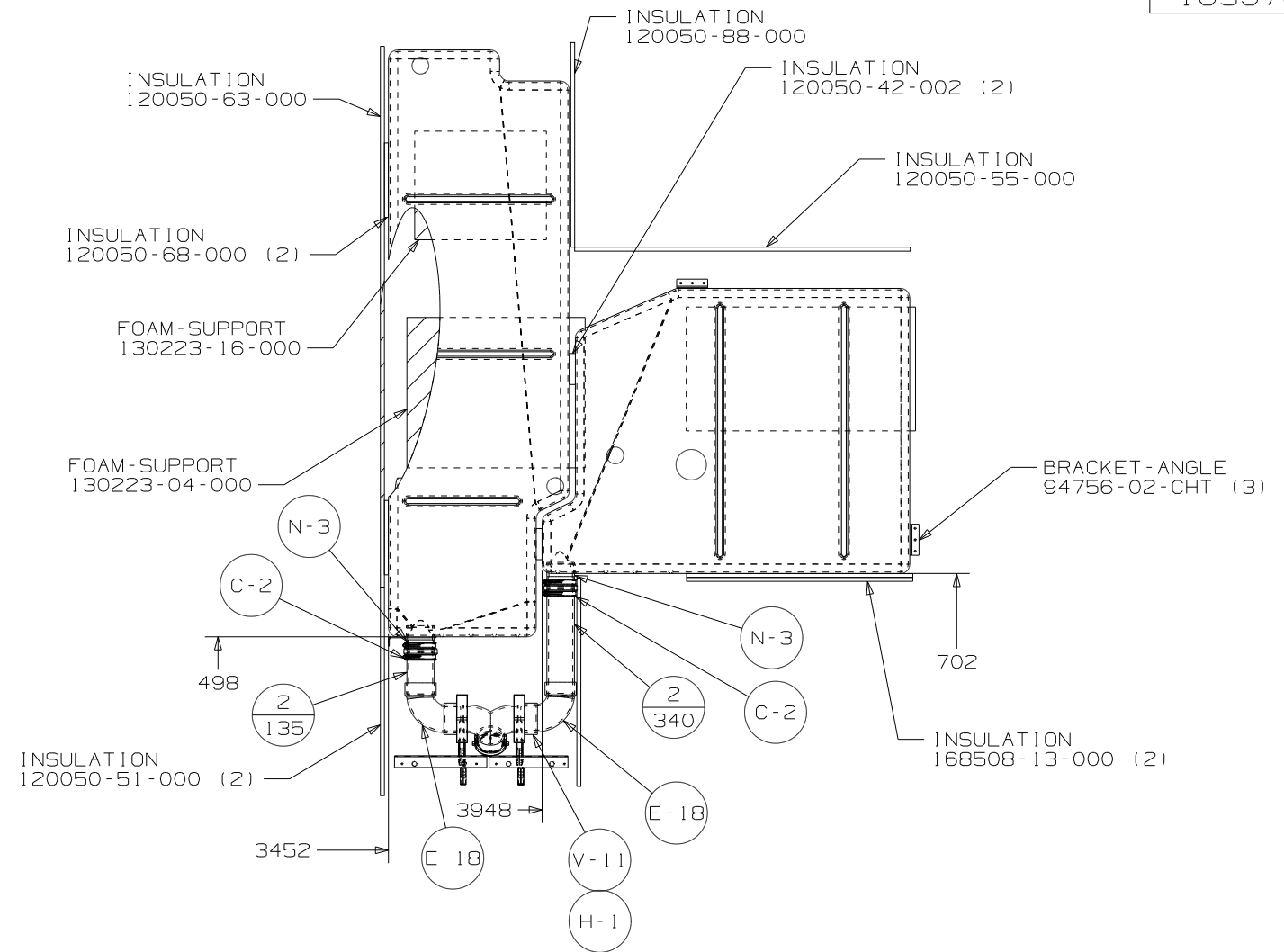
SHOWER INSTL-ENCLOSURE
 168115-02-000
 STRAINER
 66440-01-000
 SEALER
 69640-01-000
 WASHER-RUBBER
 127440-02-CHT
 TAILPIECE
 11069-02-000
 NUT
 130403-01-000

SINK-LAVATORY
 156661-01-CHT
 TAILPIECE
 106116-01-CHT \triangle
 GASKET
 106116-02-CHT
 SEAL
 91255-02-000 (A/R)

FIRST USED	09 D31E		
TITLE	DO NOT SCALE DRAWING		
TITLE	DRAINAGE SYSTEM INSTL		
SHEET 2	PART NO	165976	REV



VIEW C

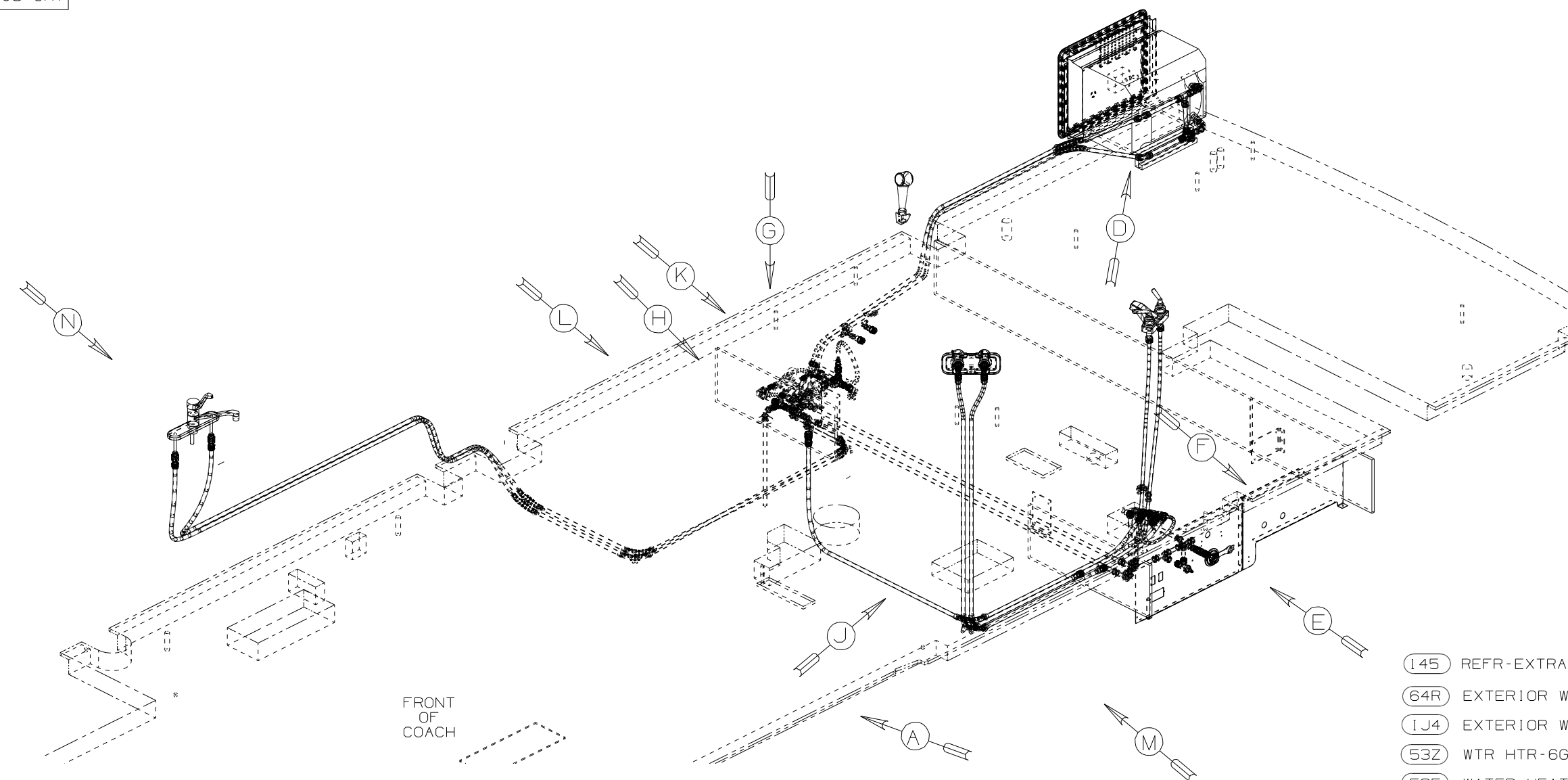


VIEW D

FIRST USED	09 D31E	
TITLE	DO NOT SCALE DRAWING	
	DRAINAGE SYSTEM INSTL	
SHEET 3	PART NO 165976	REV

DWG NO	FAUCET-LAV
165975-01	148886-01-CHT
165975-02	148886-03-CHT

RELEASE	REV DATE	DWG NO
	A	165975
REV ZONE	REVISION RECORD	DATE

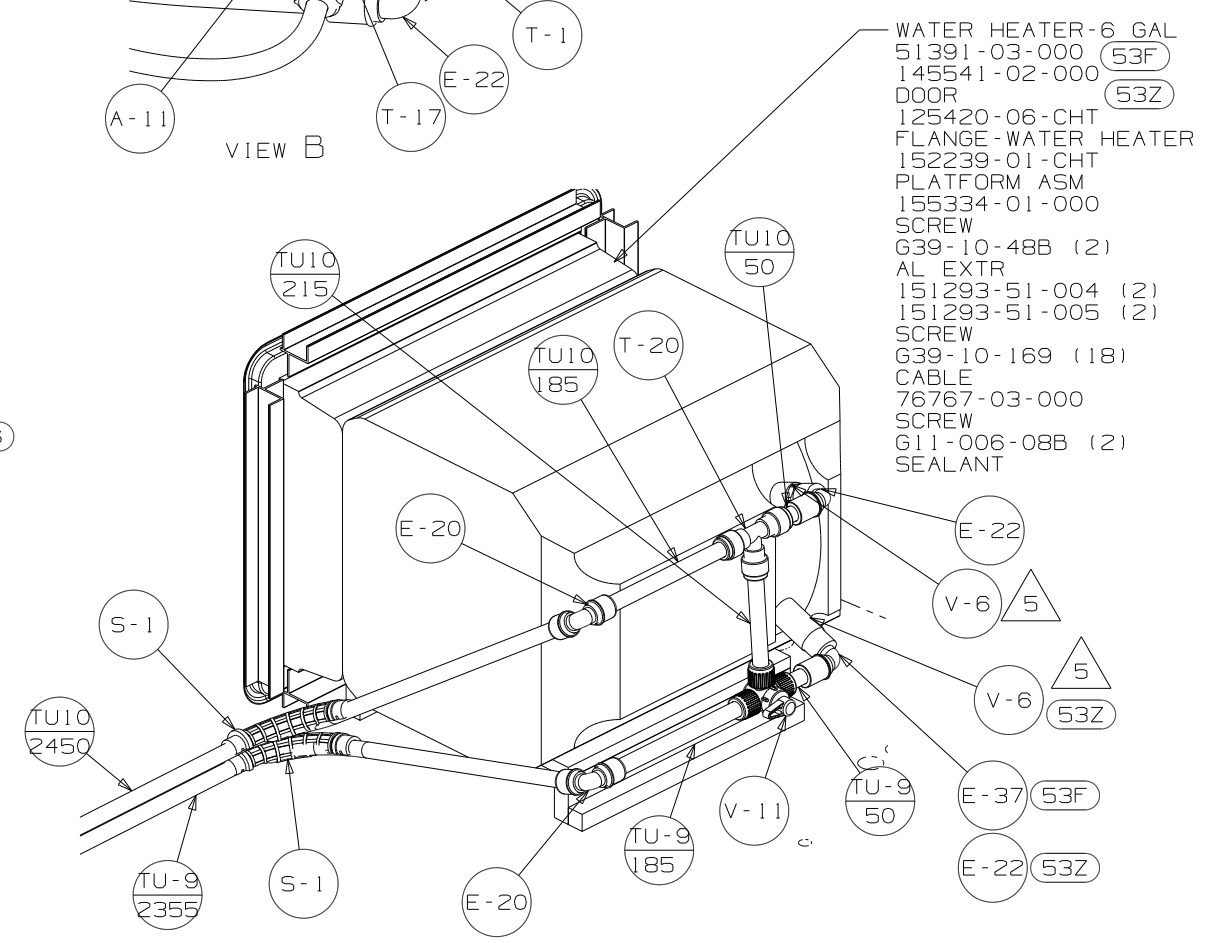
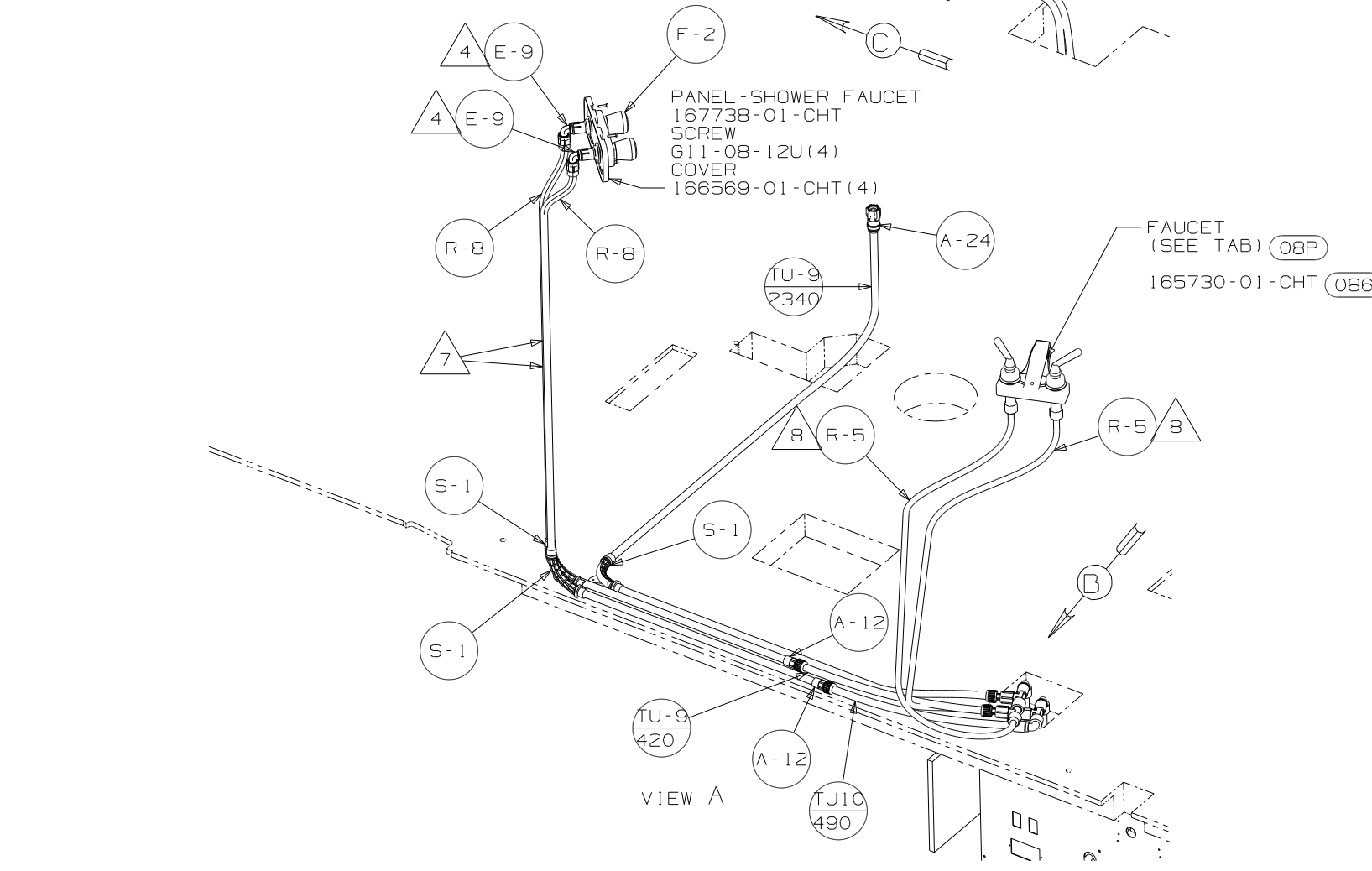
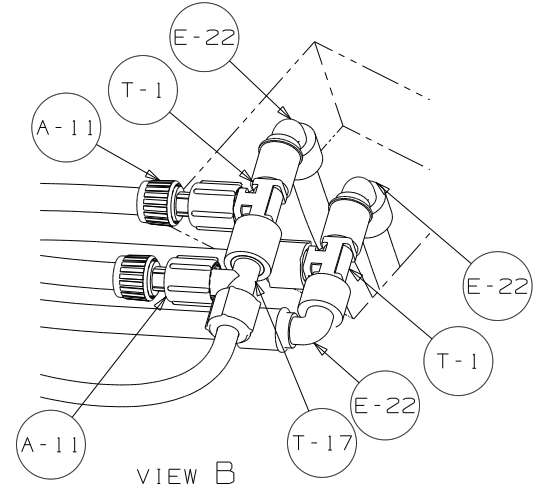
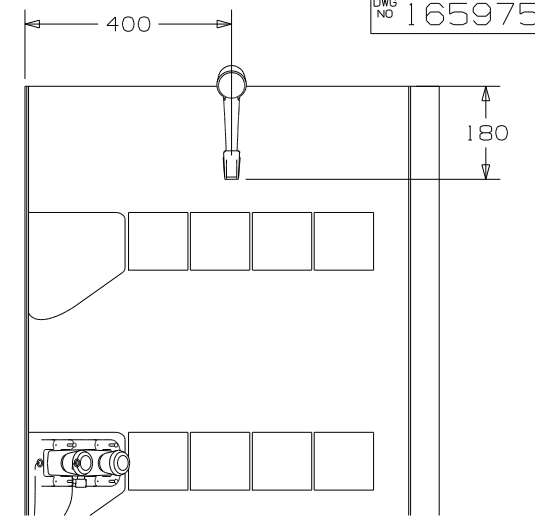
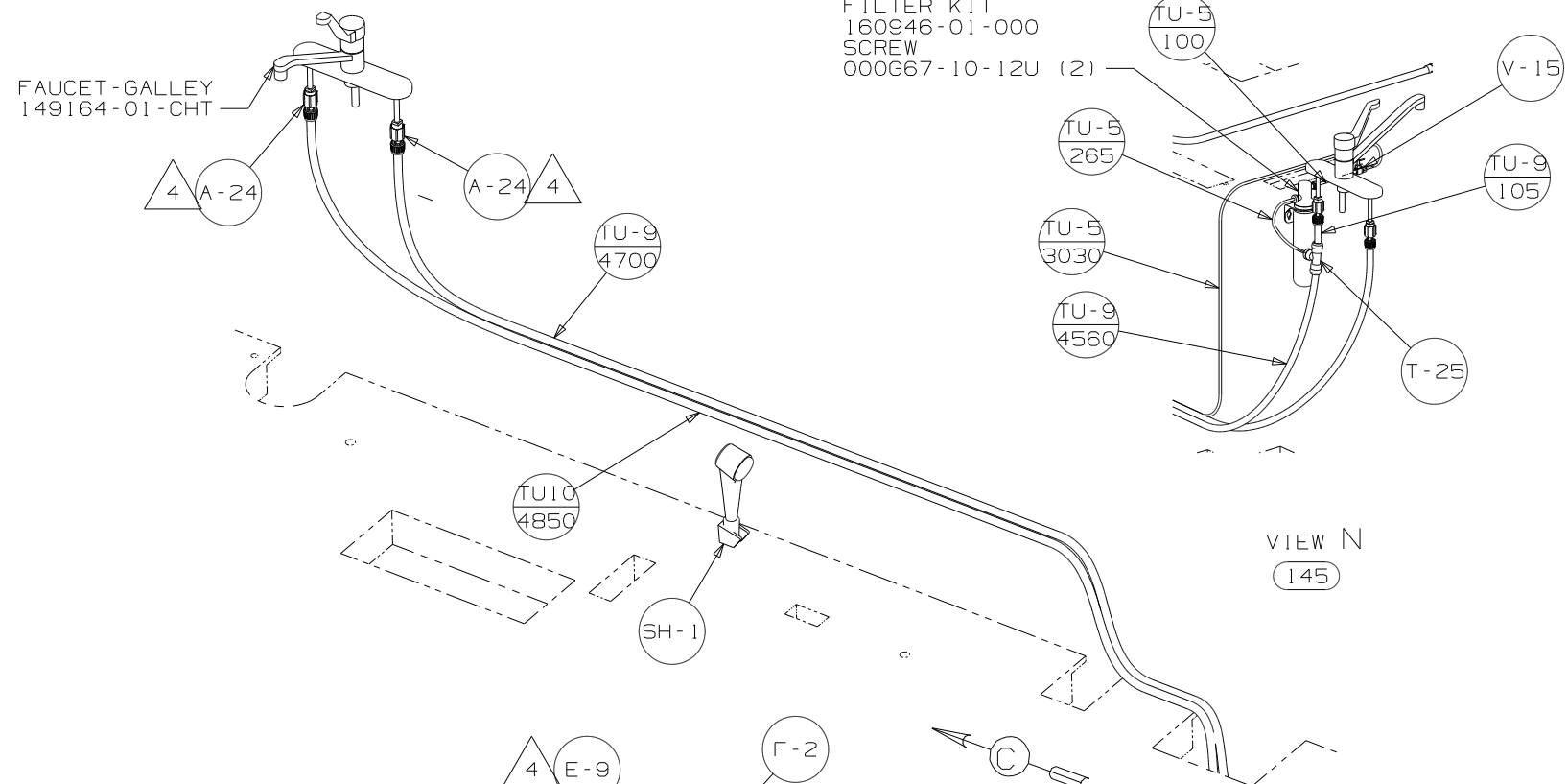


- (145) REFR-EXTRA CAP W/ICEMAKER
- (64R) EXTERIOR WASH STATION
- (1J4) EXTERIOR WASH STATION W/O
- (53Z) WTR HTR-6GAL/110/LP/MTR/AUTO
- (53F) WATER HEATER-ELEC. IGNITION
- (086) INTERIOR UPGRADE
- (08P) W/O INTERIOR UPGRADE

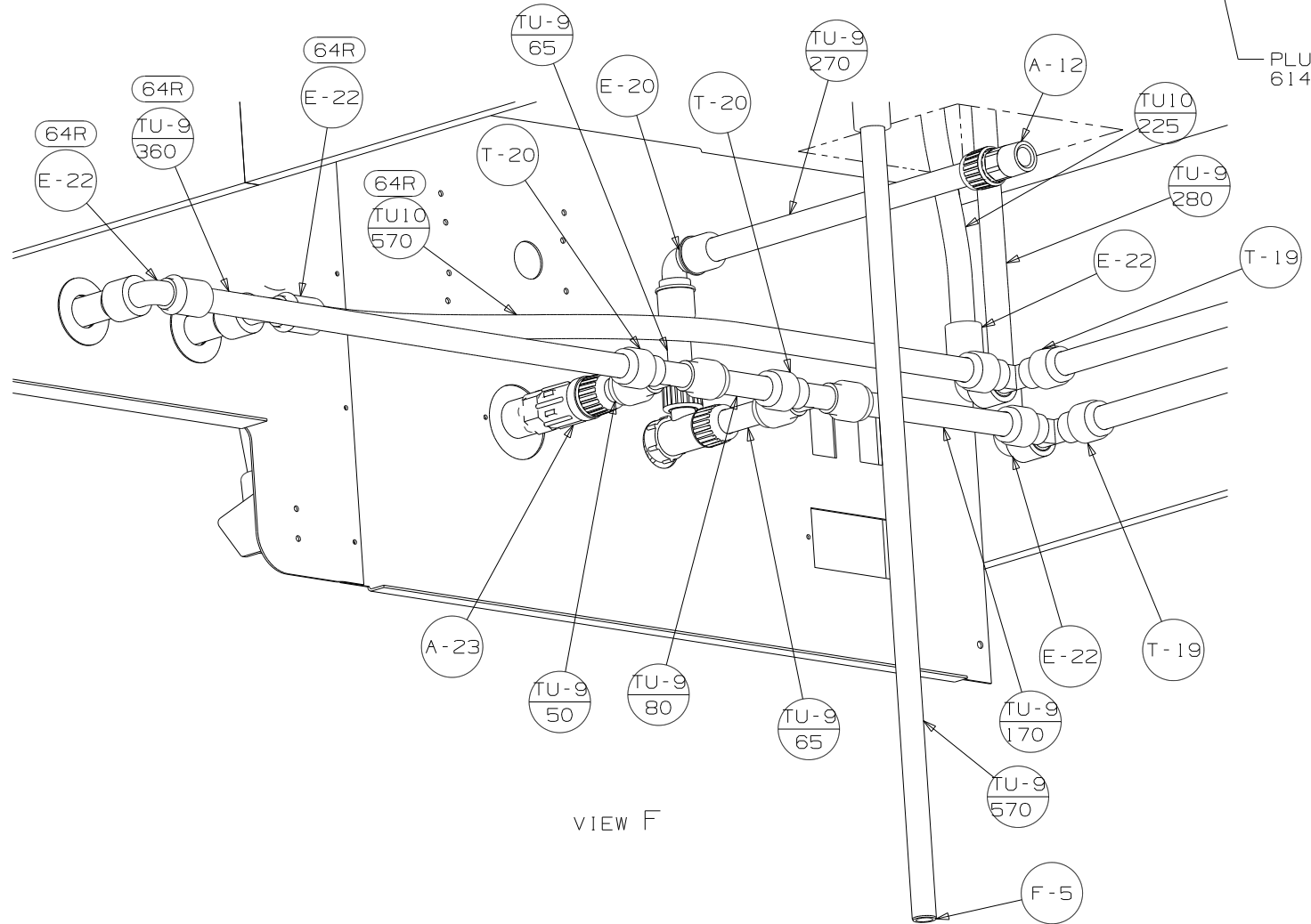
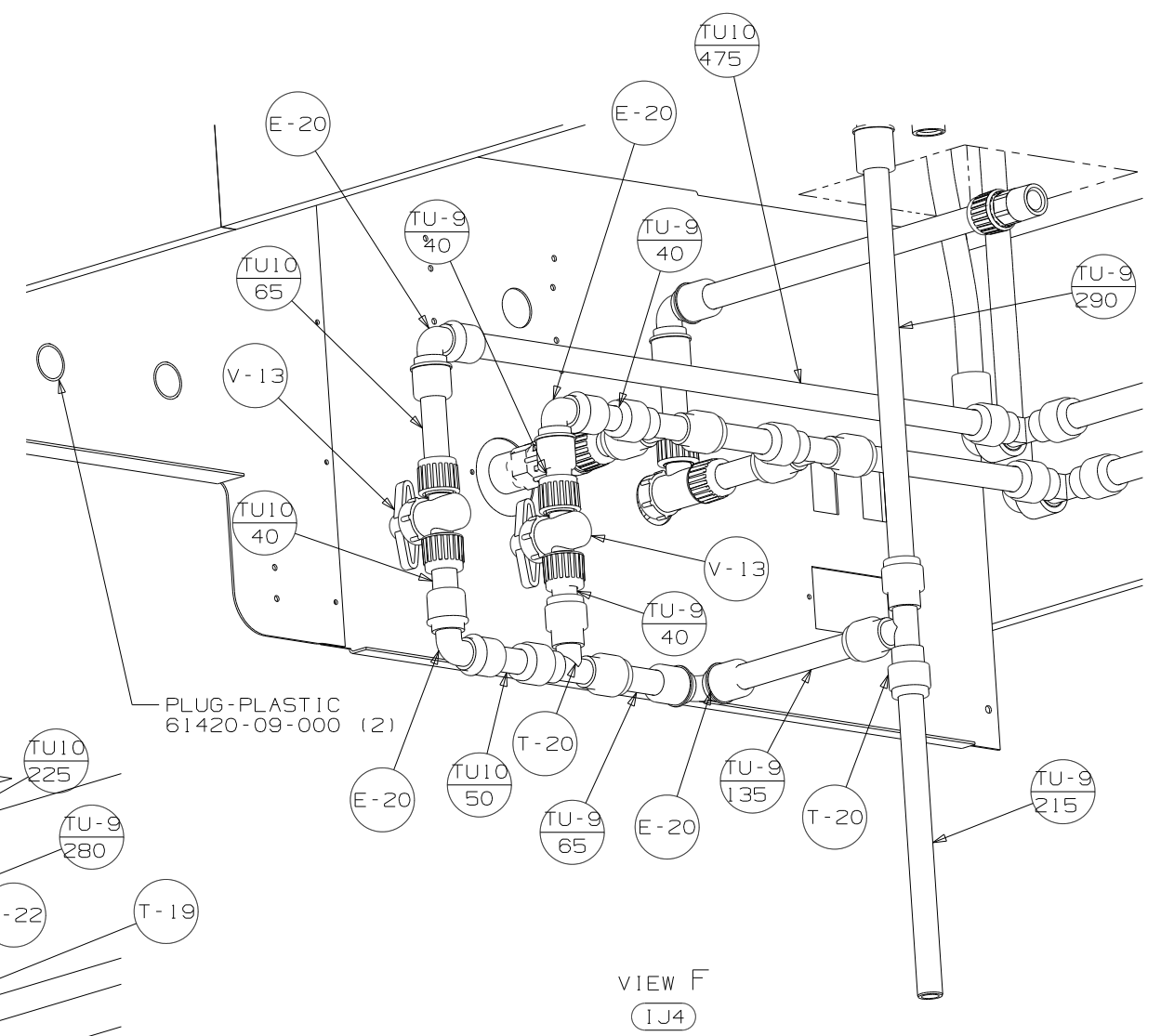
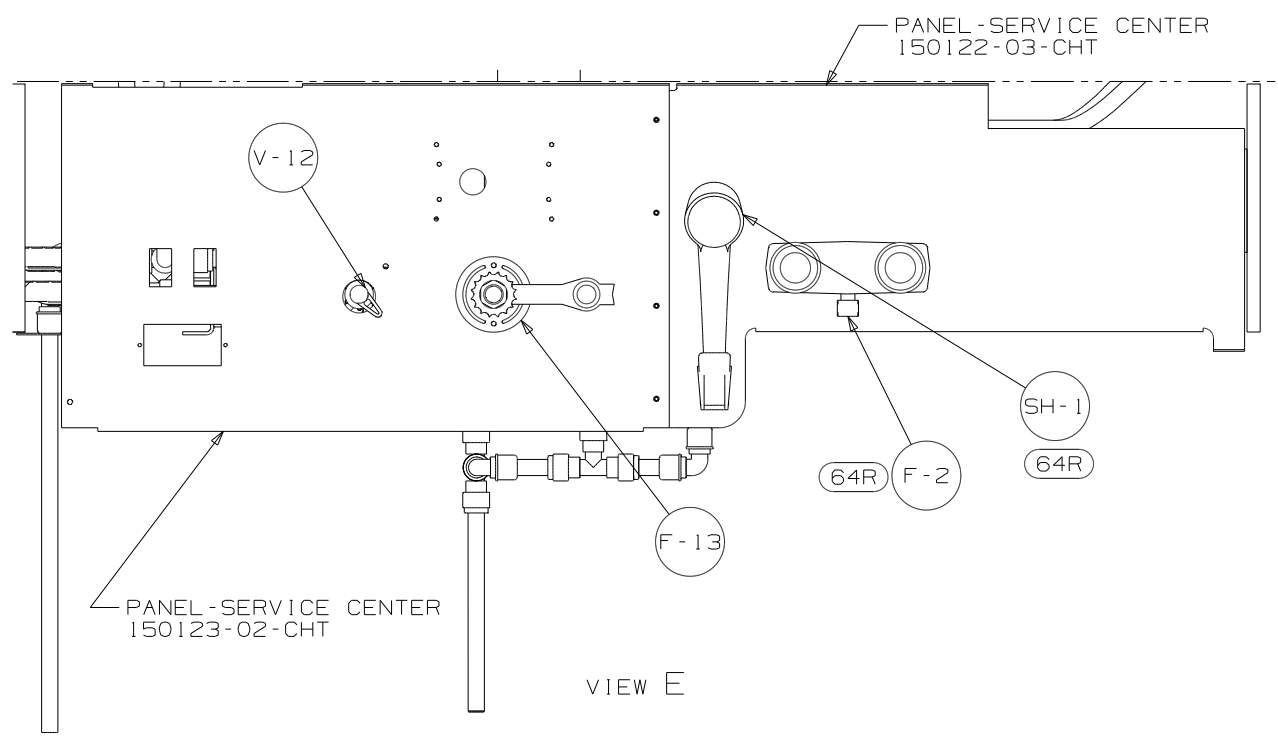
- NOTES:
- 8. TAPE FITTING TO TUBE BEFORE CABINET SET TO PREVENT FITTING FROM MOVING.
 - 7. ADD PIPE WRAP (LADDER SCRAP 110157-02-000) INSULATION.
 - 6. ADD TEFLON TAPE 10405-03-000.
 - 5. ADD TEFLON TAPE 10405-02-000.
 - 4. ADD TEFLON TAPE 10405-01-000.
3. ALL TUBING TO BE SECURED AT 1200 INTERVALS MAXIMUM WITH CLAMP 10495-01-000 AND SCREW G67-10-12B OR EQUIVALENT.
 2. TUBING TO BE INSTALLED WITH SUFFICIENT SLOPE TO PROVIDE DRAINAGE TO NEAREST VALVE.
 1. PLASTIC FITTINGS TO BE SEALED WITH SEALANT 84456-01-000.

(X-X)
FOR
WATER
CALLOUTS
SEE DWG NO
116230-01-000

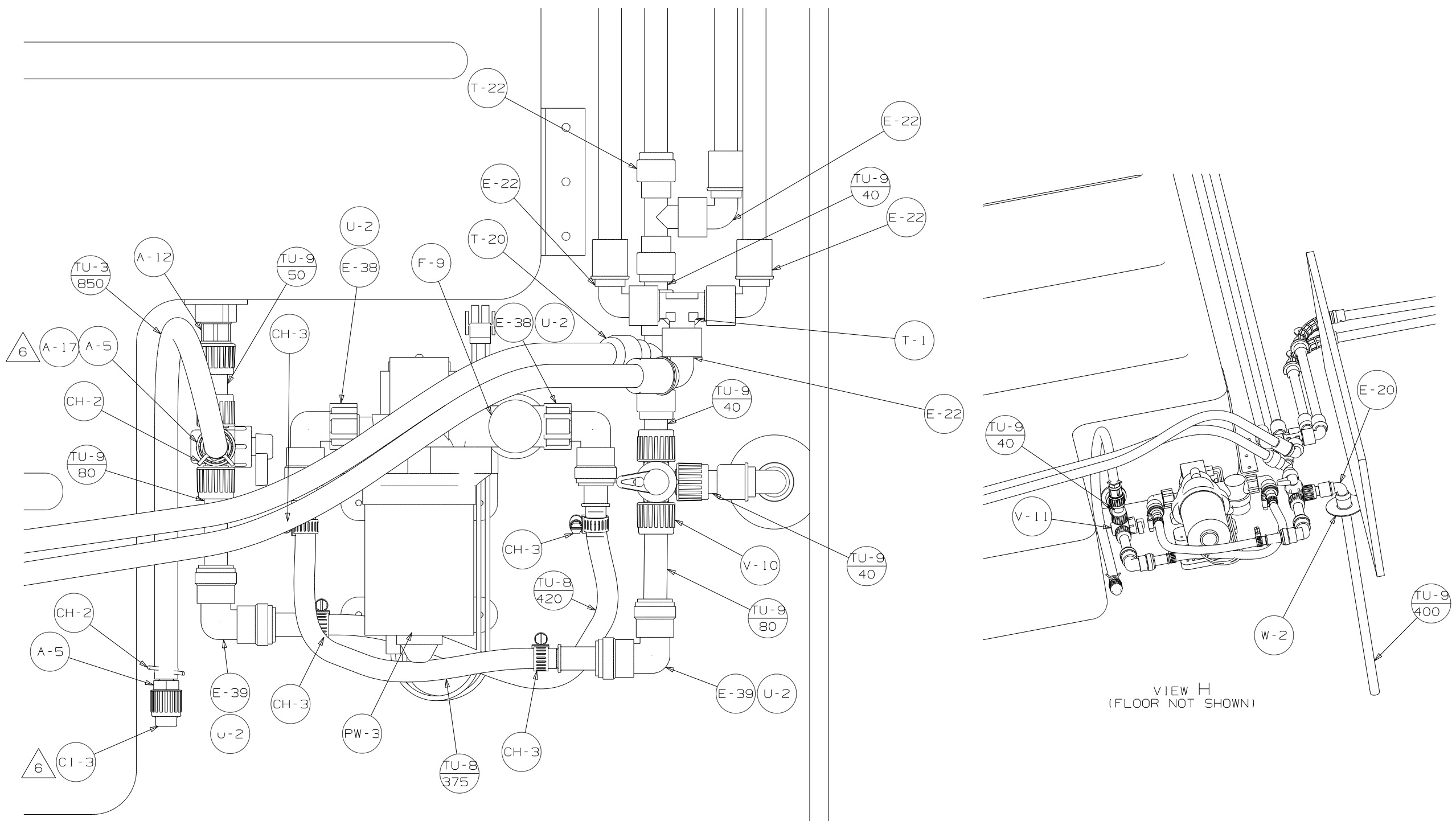
WINNEBAGO		COPYRIGHT 2009 WINNEBAGO INDUSTRIES, INC.	
DFTR	ORIG. DATE	ALL DIMENSIONS ARE IN MILLIMETERS	
CHKR		FIRST USED	
P.E.		09 D31E	
M.E.		UNSPECIFIED TOLERANCES ARE:	
DSNR		MATERIAL:	
		WHOLE DIM (X) :	3
		ONE-PLACE (X.X) :	
		TWO-PLACE (X.XX) :	
		ANGLE :	
THIRD ANGLE PROJECTION		DO NOT SCALE DRAWING	
TITLE: WATER SYSTEM INSTL			
SHEET 1 OF 6	PART NO	165975	REV
REF:	1 10/13/2009		



FIRST USED	09 D31E	
TITLE	DO NOT SCALE DRAWING	
SHEET 2	PART NO	165975
	REV	10/13/2009



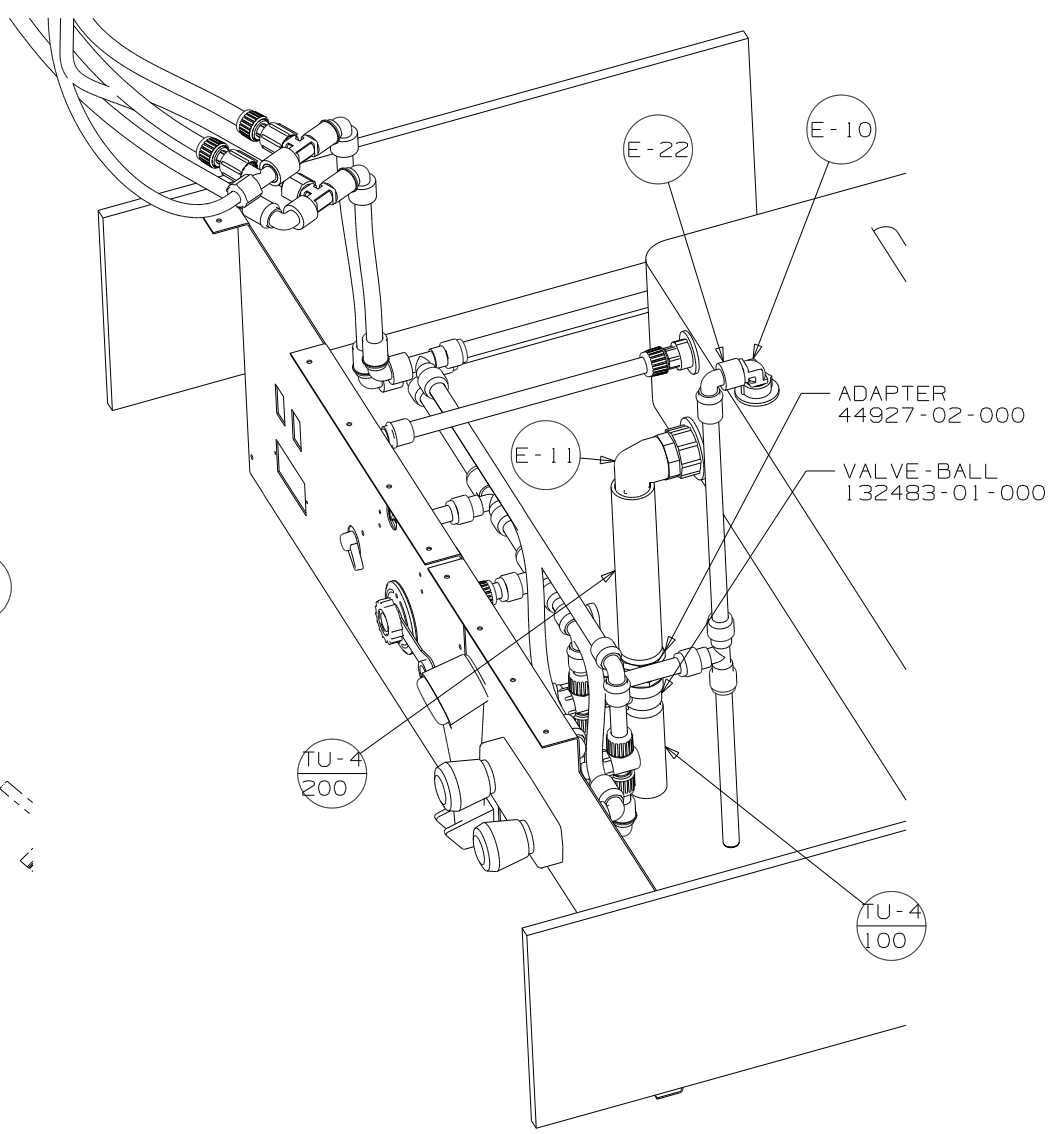
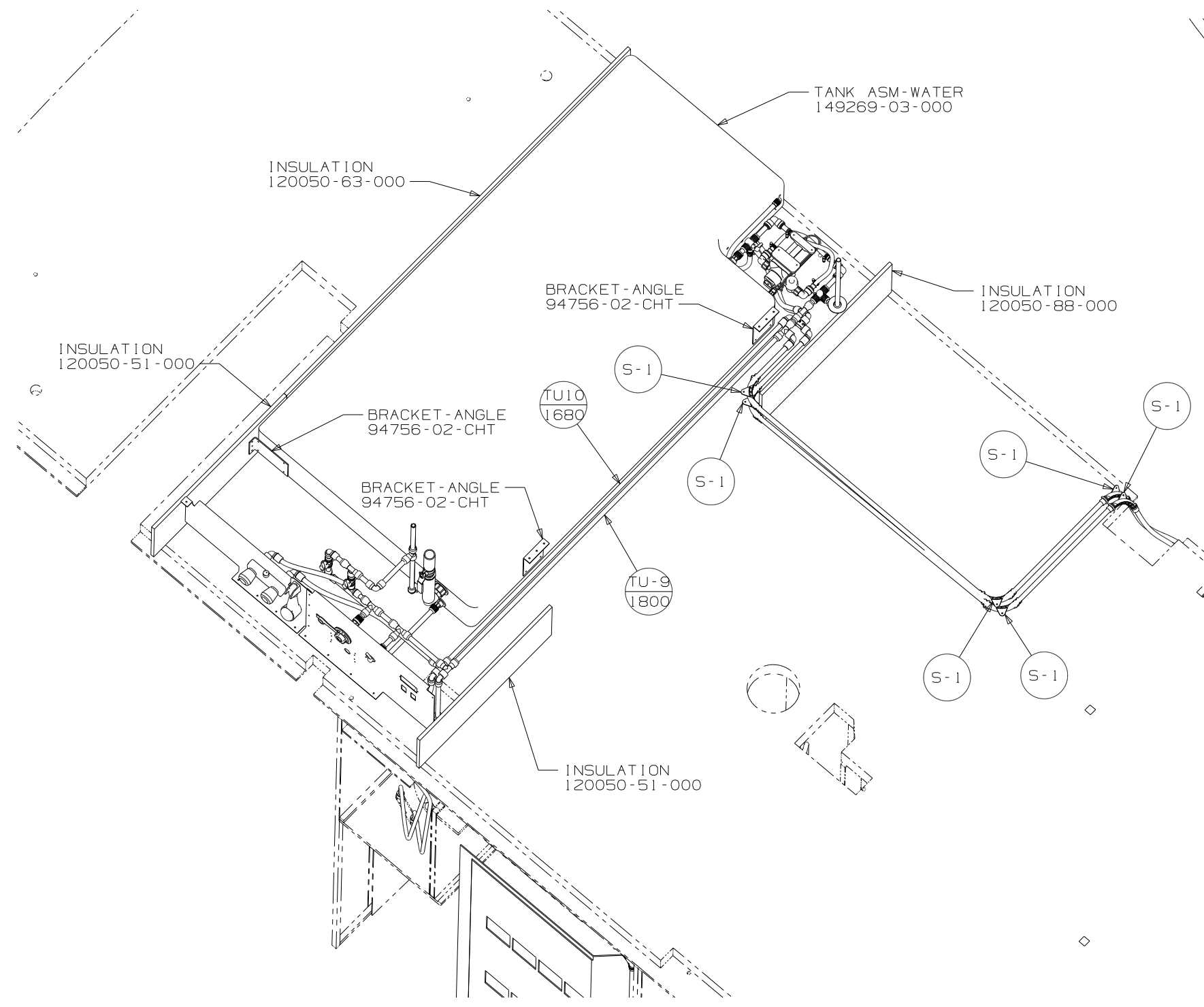
FIRST USED	09 D31E
DO NOT SCALE DRAWING	
TITLE:	WATER SYSTEM INSTL
SHEET 3	PART NO 165975 REV



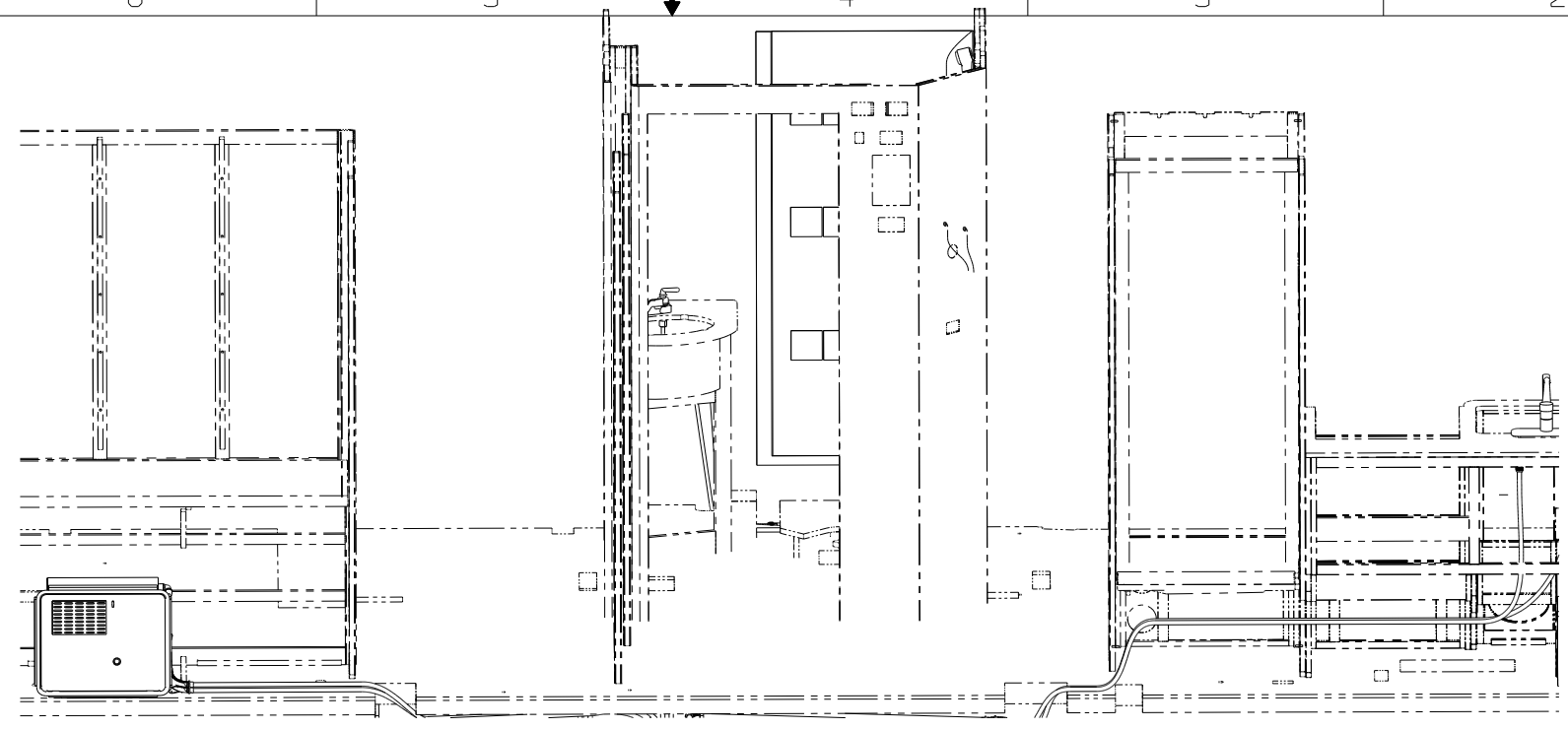
VIEW G
(FLOOR NOT SHOWN)

VIEW H
(FLOOR NOT SHOWN)

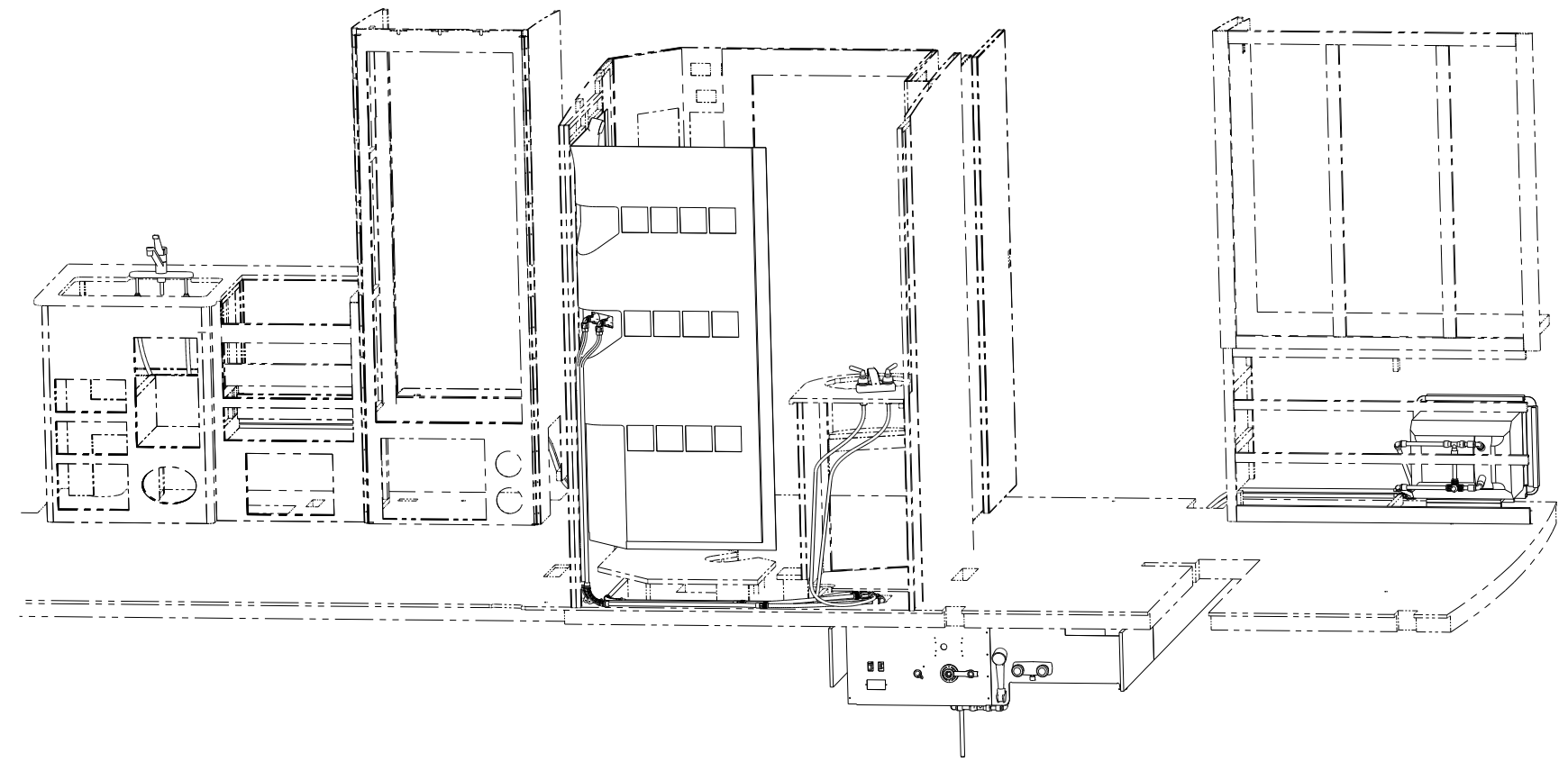
FIRST USED	09 D31E
TITLE	DO NOT SCALE DRAWING
TITLE	WATER SYSTEM INSTL
SHEET 4	PART NO 165975
	REV



FIRST USED	09 D31E		
TITLE	DO NOT SCALE DRAWING		
TITLE	WATER SYSTEM INSTL		
SHEET 5	PART NO	165975	REV



VIEW L



VIEW M

FIRST USED	09 D31E		
TITLE	DO NOT SCALE DRAWING		
	WATER SYSTEM INSTL		
SHEET 6	PART NO	165975	REV