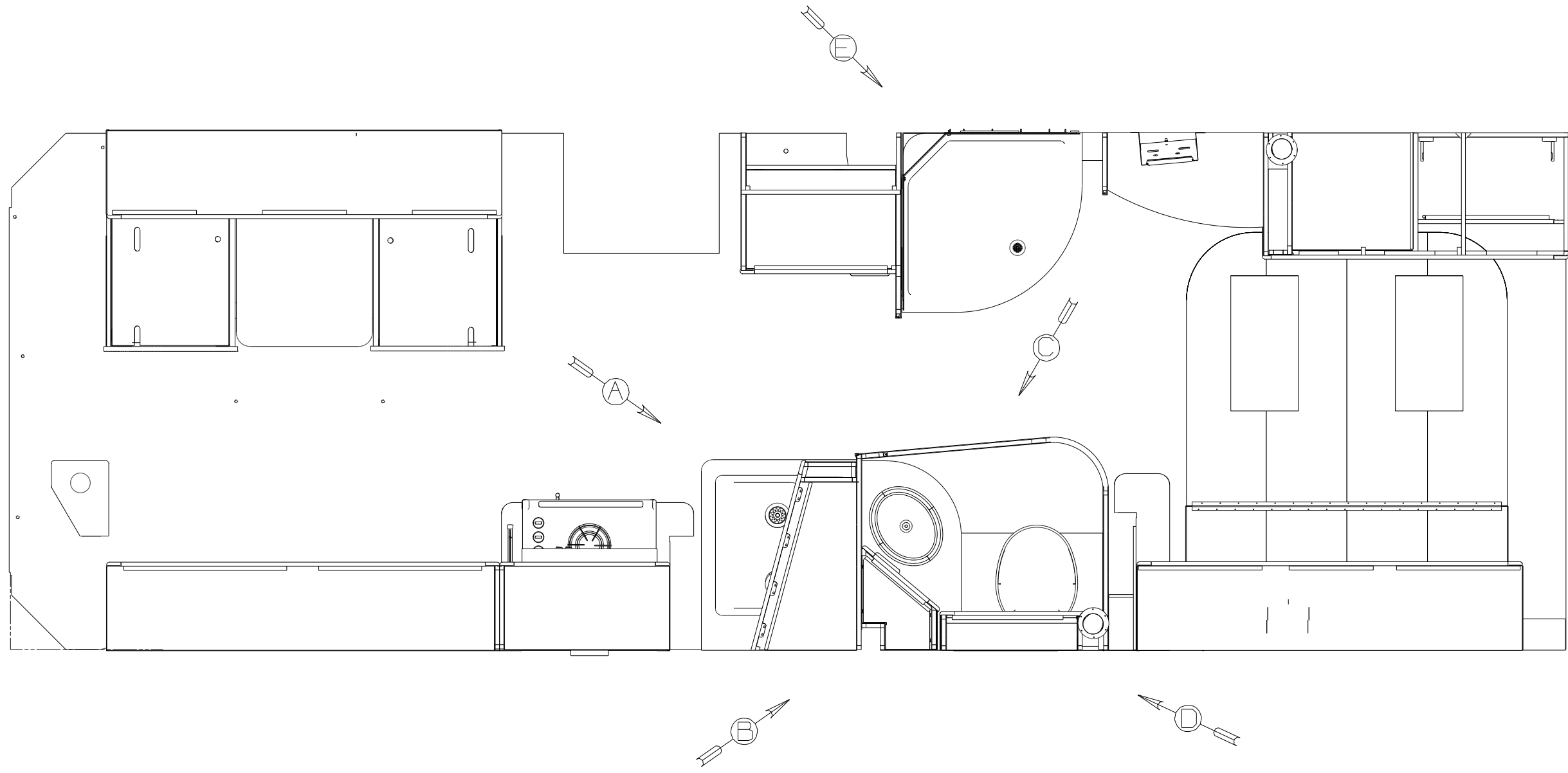


DWG NO	TOILET
165353-01	147421-02-CHT
165353-02	160815-04-CHT

RELEASE	REV DATE	DWG NO	165353
REV ZONE	REVISION RECORD	DATE	DFTR-ORIG

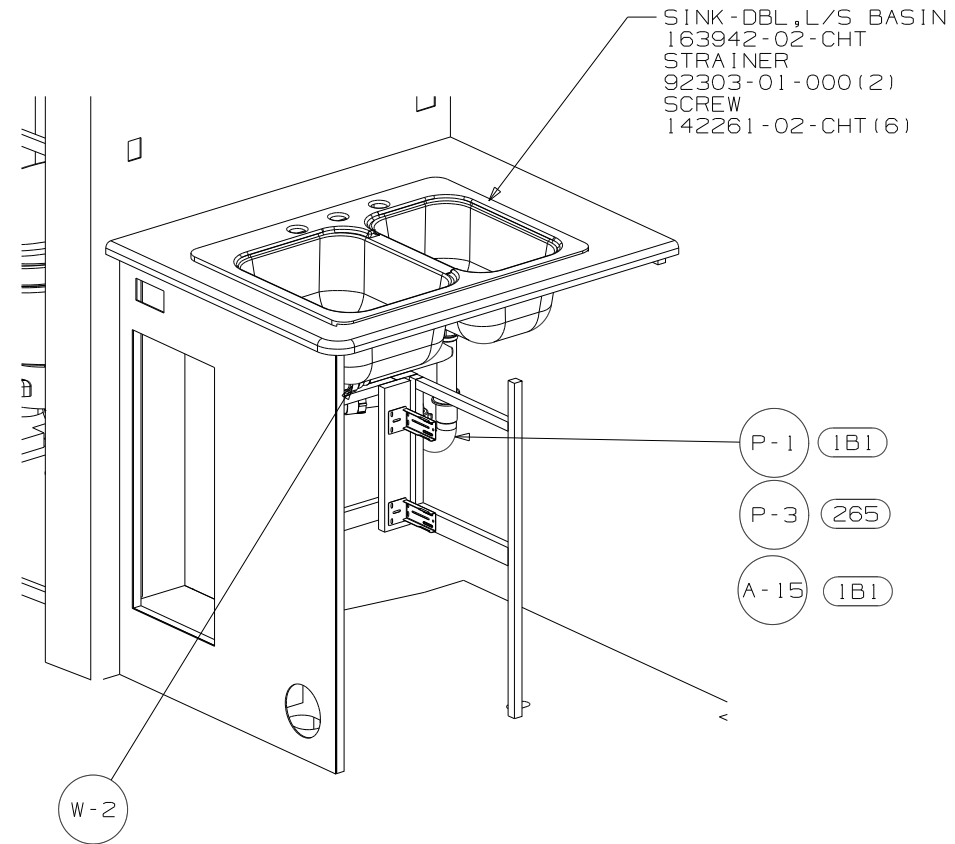


- 7. SECURE VENT PIPE TO FLOOR WITH CLAMP 62401-02-000 (2), SCREW G67-10-12B (2), BRACKET 136878-01-CHT (2).
- 6. VENT PIPE MUST PROJECT 51 MIN AND 64 MAX ABOVE ROOF FOR PROPER FIT AND FUNCTION. ADD S-1 (1116666-01-CHT SEAL-VENT PIPE) AROUND PIPE ON ROOF BEFORE VENT CAP IS INSTALLED.
- 5. SEAL AROUND SHOWER WITH SILICONE.
- 4. SECURE DRAINAGE PIPES TO CABINET USING WIRE TIE 108046-02-000, AND SCREW G67-10-12B AT INTERVALS OF NOT MORE THAN 4 FEET APART.
- 3. ALL PIPE AND FITTINGS TO BE ASSEMBLED WITH SOLVENT 4020-01-000 (USA), 4020-02-000 (CAN)
- 2. SLOPE OF TRAP ARM MUST BE 6 PER 305 mm.
- 1. SLOPE OF HORIZONTAL PIPING TO BE MINIMUM OF 3 PER 305 mm.

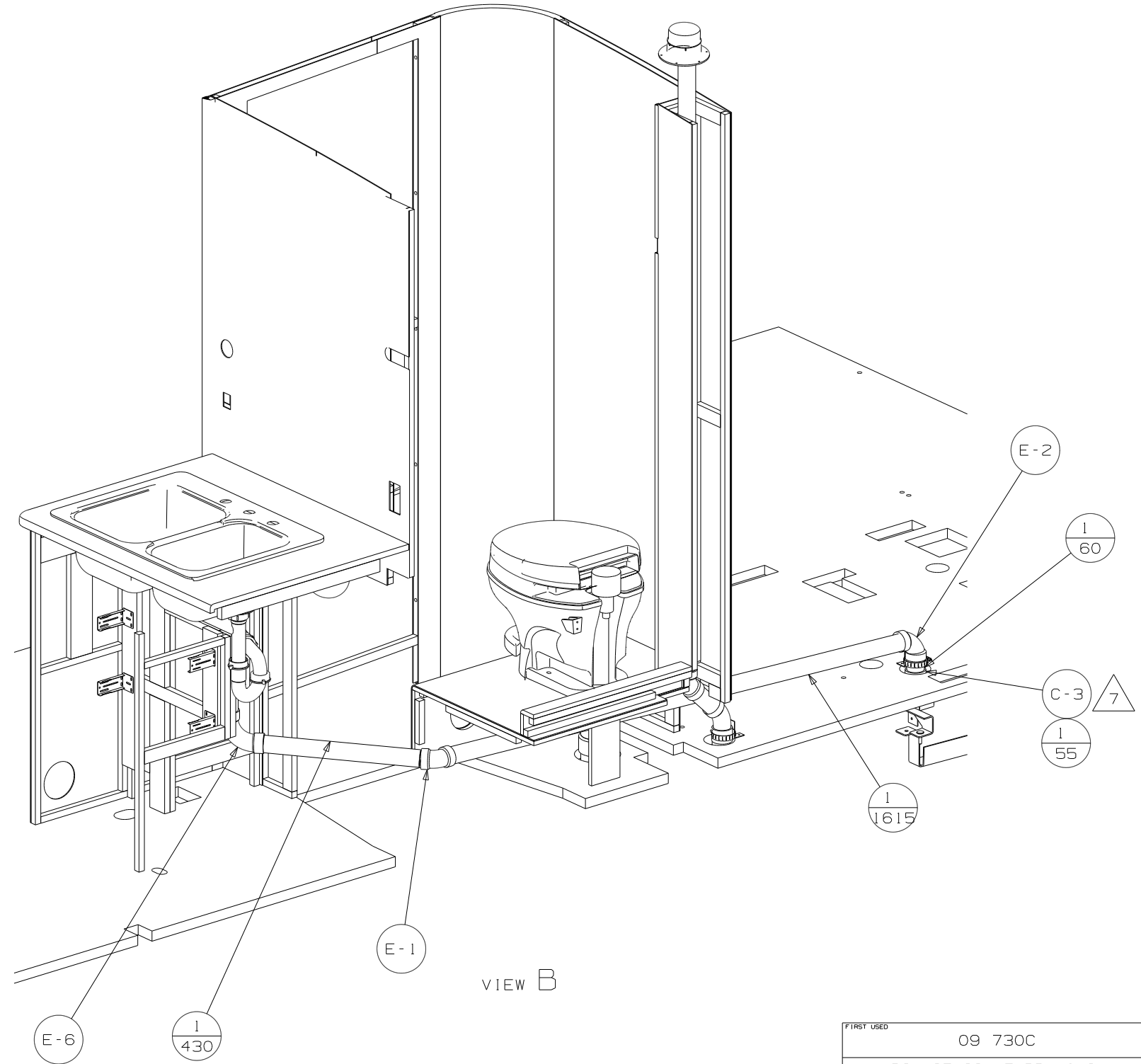
NOTES:

FOR DRAINAGE CALLOUTS SEE DWG NO 116229-01-000

WINNEBAGO		COPYRIGHT 2009 WINNEBAGO INDUSTRIES, INC.	
DFTR	ORIG. DATE	ALL DIMENSIONS ARE IN MILLIMETERS	
CHKR		FIRST USED	
P.E.		09 730C	
M.E.		UNSPECIFIED TOLERANCES ARE:	
DSNR		MATERIAL:	
		WHOLE DIM (X)	: 3
		ONE-PLACE (X.X)	: 1.5
		TWO-PLACE (X.XX)	: 0.50
		ANGLE	: 1°
THIRD ANGLE PROJECTION		DO NOT SCALE DRAWING	
TITLE: DRAINAGE SYSTEM INSTL			
SHEET 1 OF 5	PART NO	165353	REV
REF:	1 7/27/2009		



VIEW A



VIEW B

FIRST USED	09 730C	
TITLE	DO NOT SCALE DRAWING	
	DRAINAGE SYSTEM INSTL	
SHEET 2	PART NO	165353
	REV	1

SINK-LAV
156661-01-CHT
STRAINER ASM
106116-01-CHT
STRAINER GASKET
106116-02-CHT
SEAL
91255-02-000

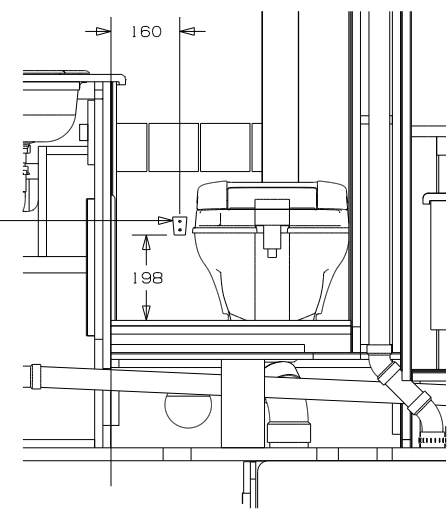
TOILET
(SEE TAB)

FLANGE-CLOSET
151541-01-000

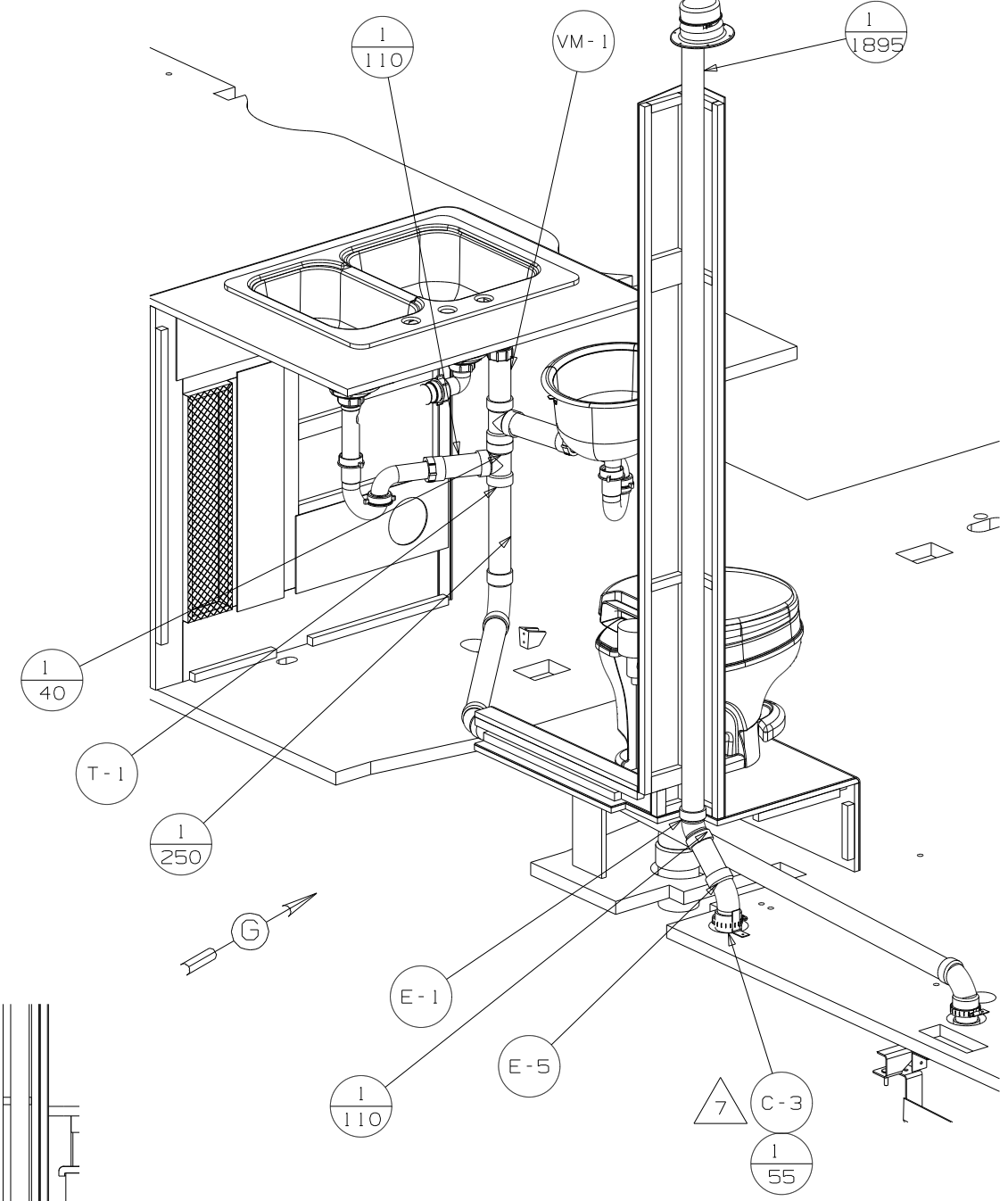
- P-1 1B1
- P-3 265
- A-15 1B1

VIEW C

TOILET SPRAY
MOUNTING BRACKET

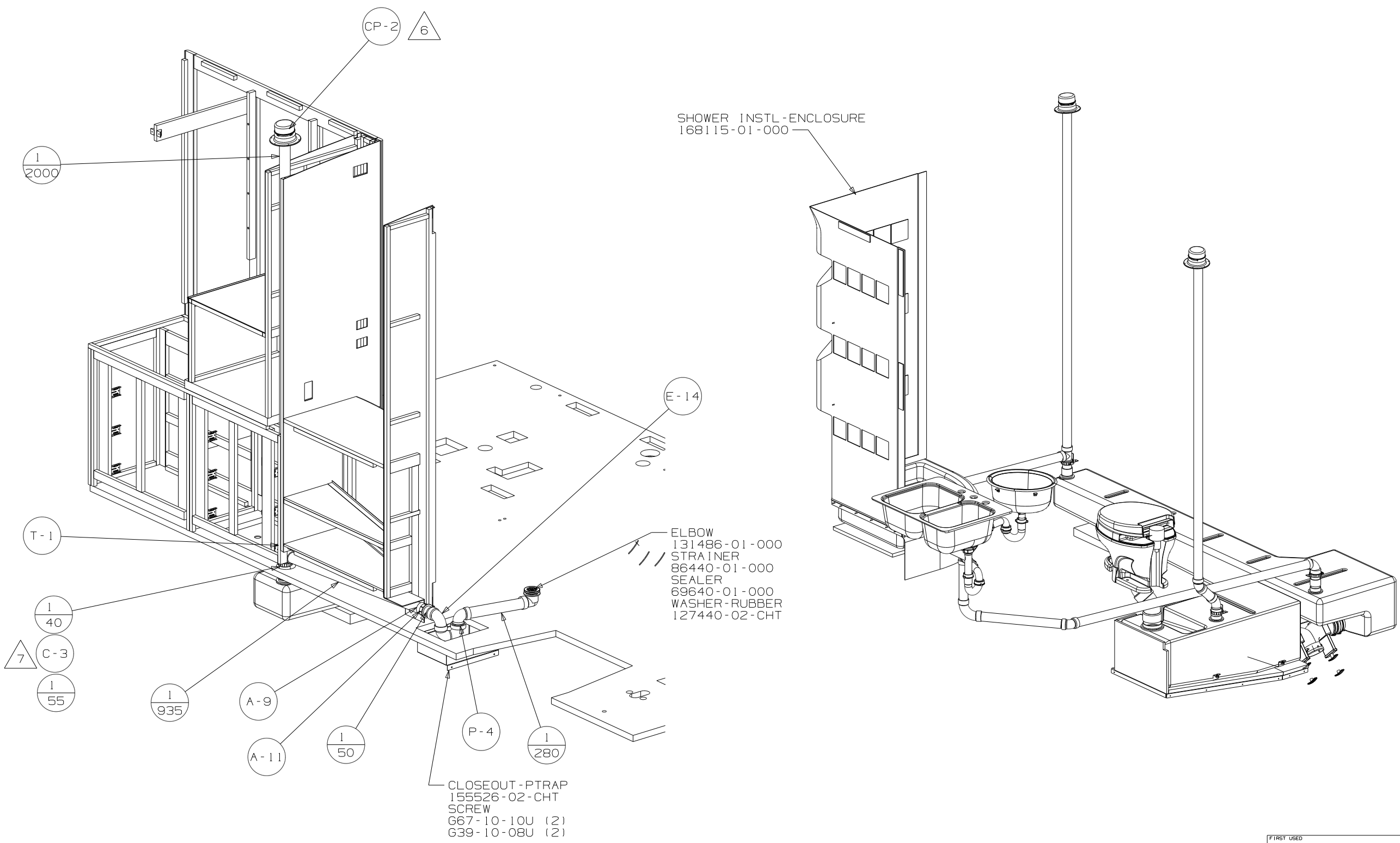


VIEW G



VIEW D

FIRST USED	09 730C
TITLE	DO NOT SCALE DRAWING
	DRAINAGE SYSTEM INSTL
SHEET 3	PART NO 165353 REV



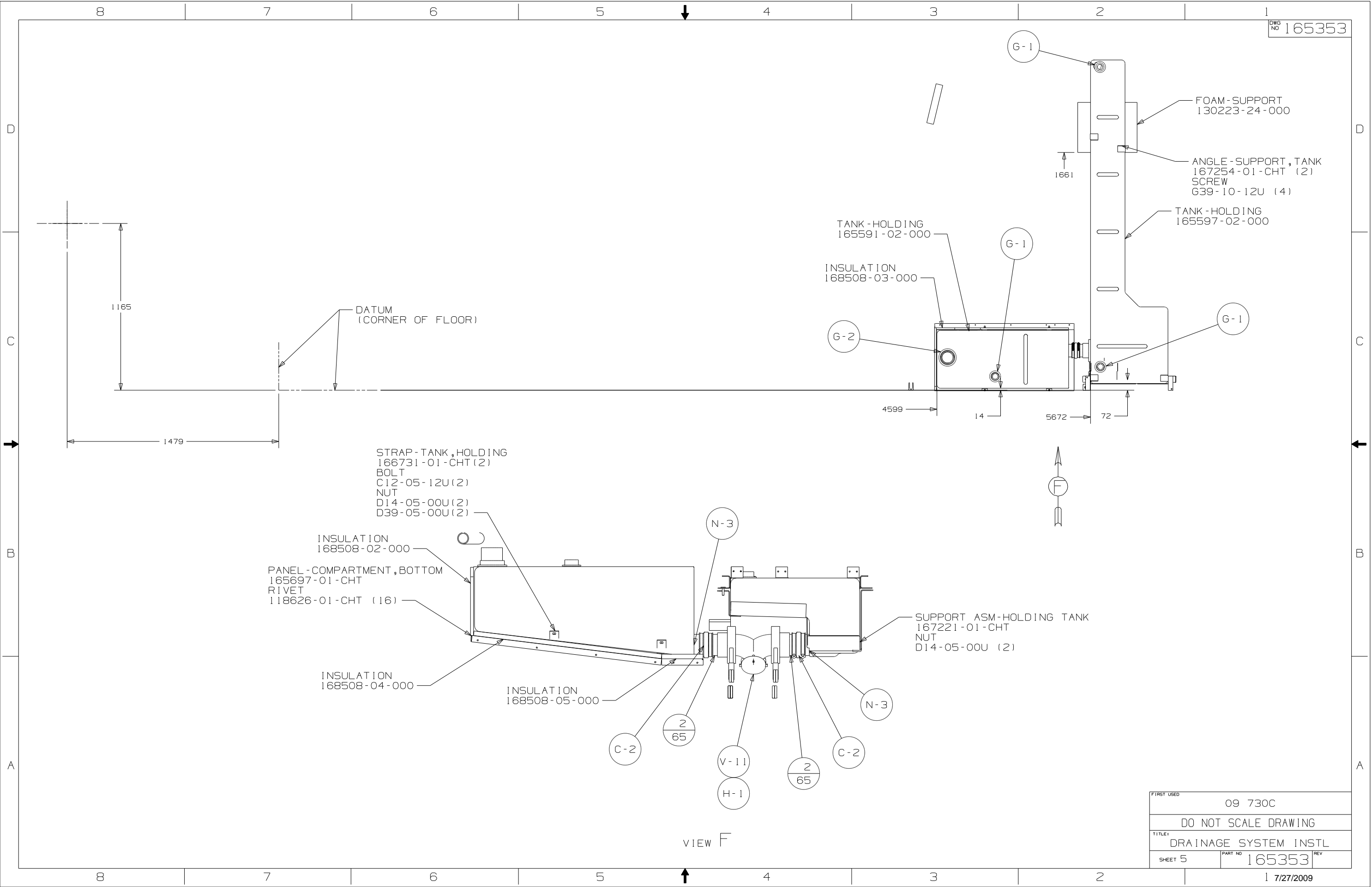
SHOWER INSTL-ENCLOSURE
168115-01-000

ELBOW
131486-01-000
STRAINER
86440-01-000
SEALER
69640-01-000
WASHER-RUBBER
127440-02-CHT

CLOSEOUT-PTRAP
155526-02-CHT
SCREW
667-10-10U (2)
639-10-08U (2)

VIEW E

FIRST USED	09 730C
DO NOT SCALE DRAWING	
TITLE	DRAINAGE SYSTEM INSTL
SHEET 4	PART NO 165353 REV



1165

1479

4599

14

5672

72

F

DATUM
(CORNER OF FLOOR)

TANK - HOLDING
165591 - 02 - 000

INSULATION
168508 - 03 - 000

FOAM - SUPPORT
130223 - 24 - 000

ANGLE - SUPPORT, TANK
167254 - 01 - CHT (2)
SCREW
G39 - 10 - 12U (4)

TANK - HOLDING
165597 - 02 - 000

STRAP - TANK, HOLDING
166731 - 01 - CHT (2)
BOLT
C12 - 05 - 12U (2)
NUT
D14 - 05 - 00U (2)
D39 - 05 - 00U (2)

INSULATION
168508 - 02 - 000

PANEL - COMPARTMENT, BOTTOM
165697 - 01 - CHT
RIVET
118626 - 01 - CHT (16)

INSULATION
168508 - 04 - 000

INSULATION
168508 - 05 - 000

SUPPORT ASM - HOLDING TANK
167221 - 01 - CHT
NUT
D14 - 05 - 00U (2)

N-3

N-3

C-2

2
65

V-11

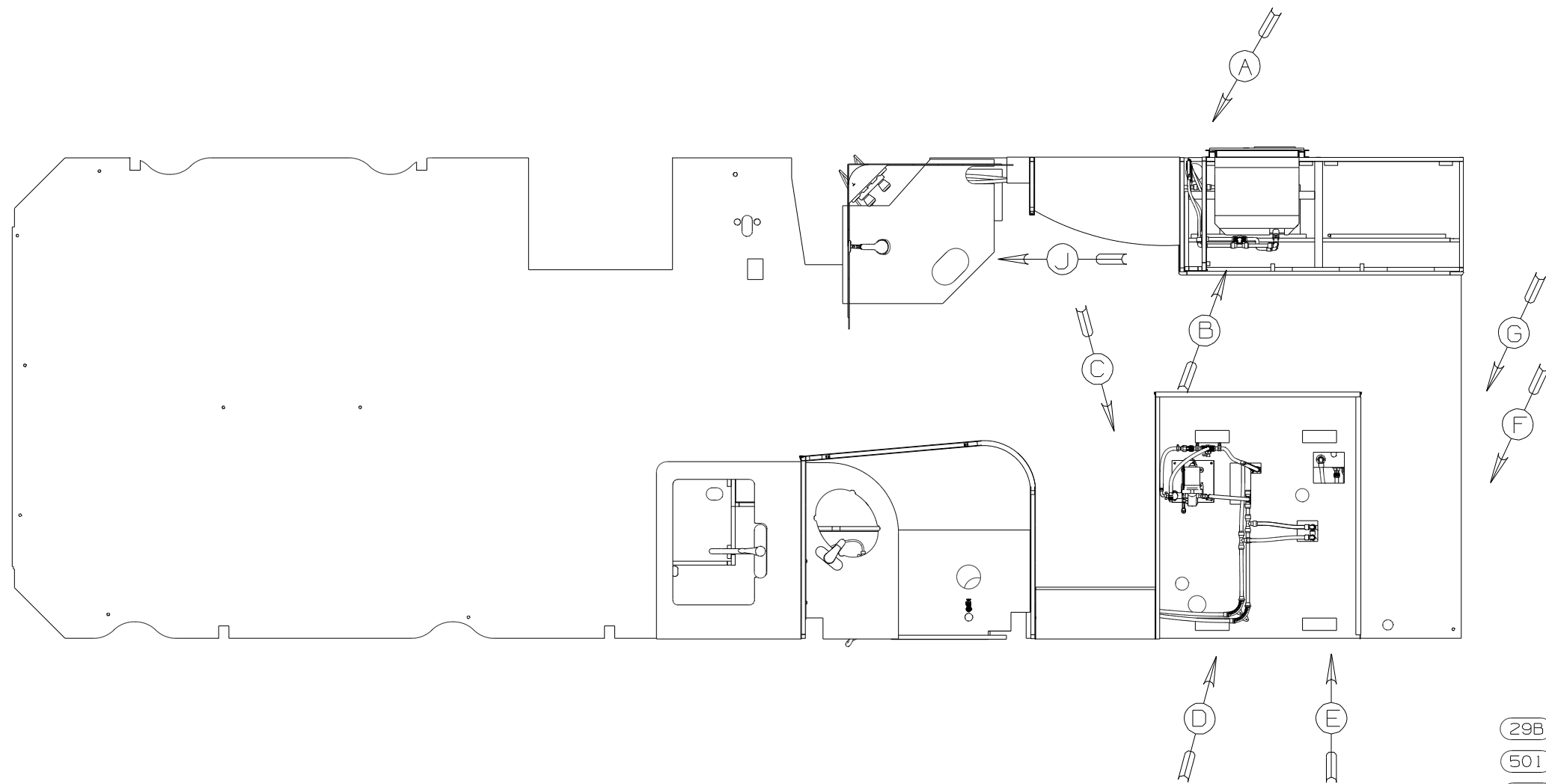
H-1

2
65

C-2

VIEW F

FIRST USED	09 730C		
TITLE:	DO NOT SCALE DRAWING		
	DRAINAGE SYSTEM INSTL		
SHEET 5	PART NO	165353	REV
			1 7/27/2009



- (29B) WATER PURIFIER
- (501) WATER PURIFIER WITHOUT
- (64R) EXTERIOR WASH STATION
- (1J4) EXT WASH STATION-WITHOUT
- (53B) WTR HTR-6 GAL ELECTRIC/LP GAS
- (53F) WATER HEATER-ELEC.IGNITION
- (54E) WATER SYS WINTERIZATION PKG
- (1H6) AIR SPRINGS-WITHOUT

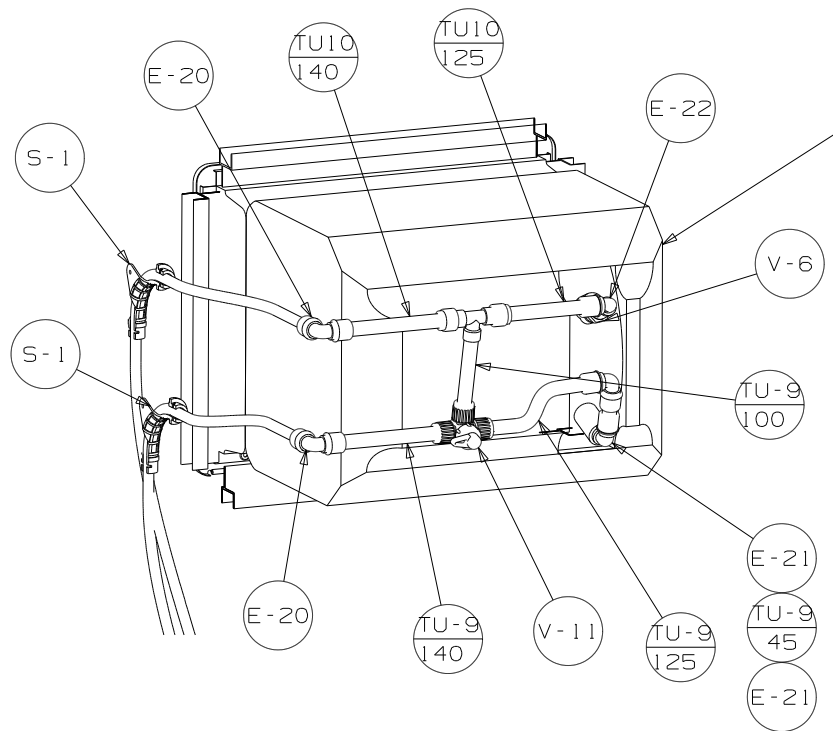
- 7 ADD PIPE WRAP (LADDER SCRAP 110157-02-000) INSULATION.
 - 6 ADD TEFLON TAPE 10405-03-000.
 - 5 ADD TEFLON TAPE 10405-02-000.
 - 4 ADD TEFLON TAPE 10405-01-000.
3. ALL TUBING TO BE SECURED AT 1200 INTERVALS MAXIMUM WITH CLAMP 10495-01-000 AND SCREW G67-10-12B OR EQUIVALENT.
 2. TUBING TO BE INSTALLED WITH SUFFICIENT SLOPE TO PROVIDE DRAINAGE TO NEAREST VALVE.
 1. PLASTIC FITTINGS TO BE SEALED WITH SEALANT 84456-01-000.

NOTES:

(X-X)
FOR
WATER
CALLOUTS
SEE DWG NO
116230-01-000

WINNEBAGO		COPYRIGHT 2009 WINNEBAGO INDUSTRIES, INC.	
DFTR	ORIG. DATE	ALL DIMENSIONS ARE IN MILLIMETERS	
CHKR		FIRST USED	
P.E.		09 730C	
M.E.		UNSPECIFIED TOLERANCES ARE:	
DSNR		MATERIAL:	
		WHOLE DIM (X)	: 3
		ONE-PLACE (X.X)	: 1.5
		TWO-PLACE (X.XX)	: 0.50
		ANGLE	: 1°
THIRD ANGLE PROJECTION		DO NOT SCALE DRAWING	
TITLE: WATER SYSTEM INSTL			
SHEET 1 OF 5	PART NO	165359	REV
REF:	1 9/10/2009		

- WATER HEATER 51391-03-000 (53F)
- DOOR 145541-02-000 (53B)
- FLANGE 125420-06-CHT
- EXTR 152239-01-CHT
- 165959-51-002 (2)
- 165959-51-004 (2)
- SCREW 639-10-169 (16)
- SEALANT 69640-14-000
- CABLE 112864-01-000
- 76767-03-000
- SCREW 611-06-08B (2)



VIEW B

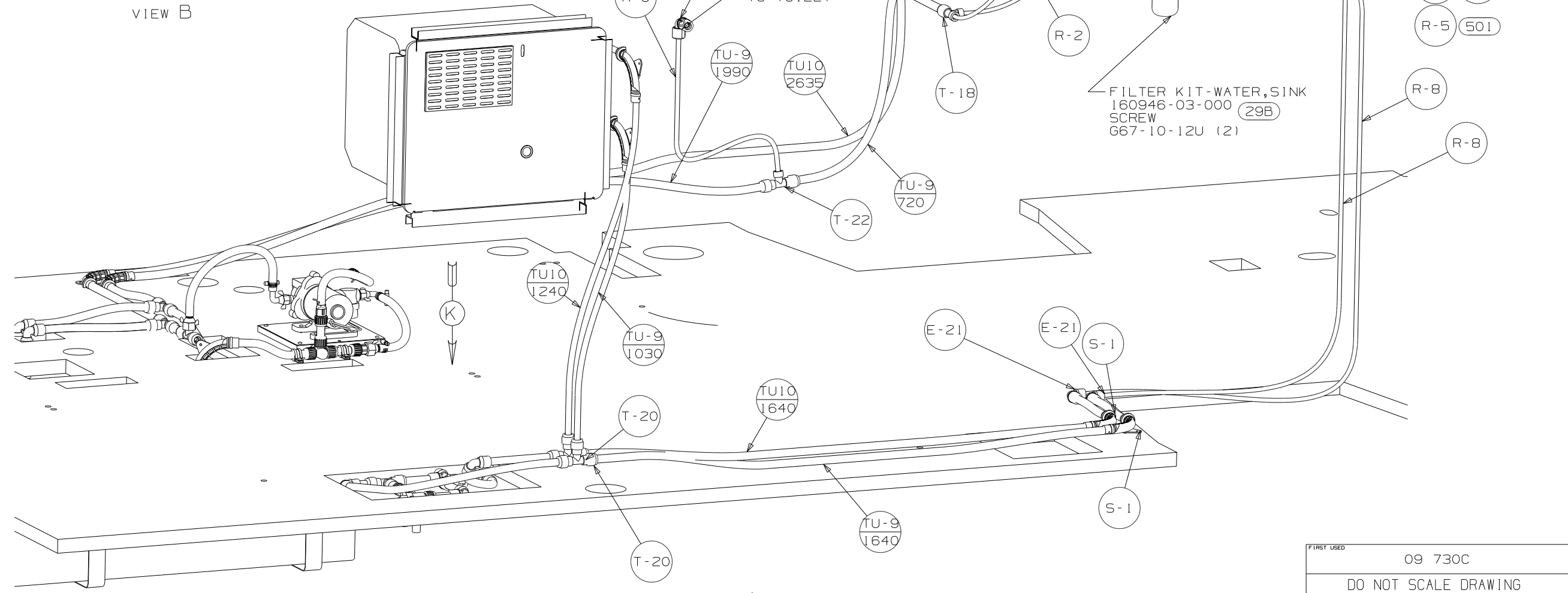
FAUCET-LAV
165730-01-CHT

FAUCET-GALLEY, DUAL
149164-01-CHT

PANEL-SHOWER
167738-01-CHT

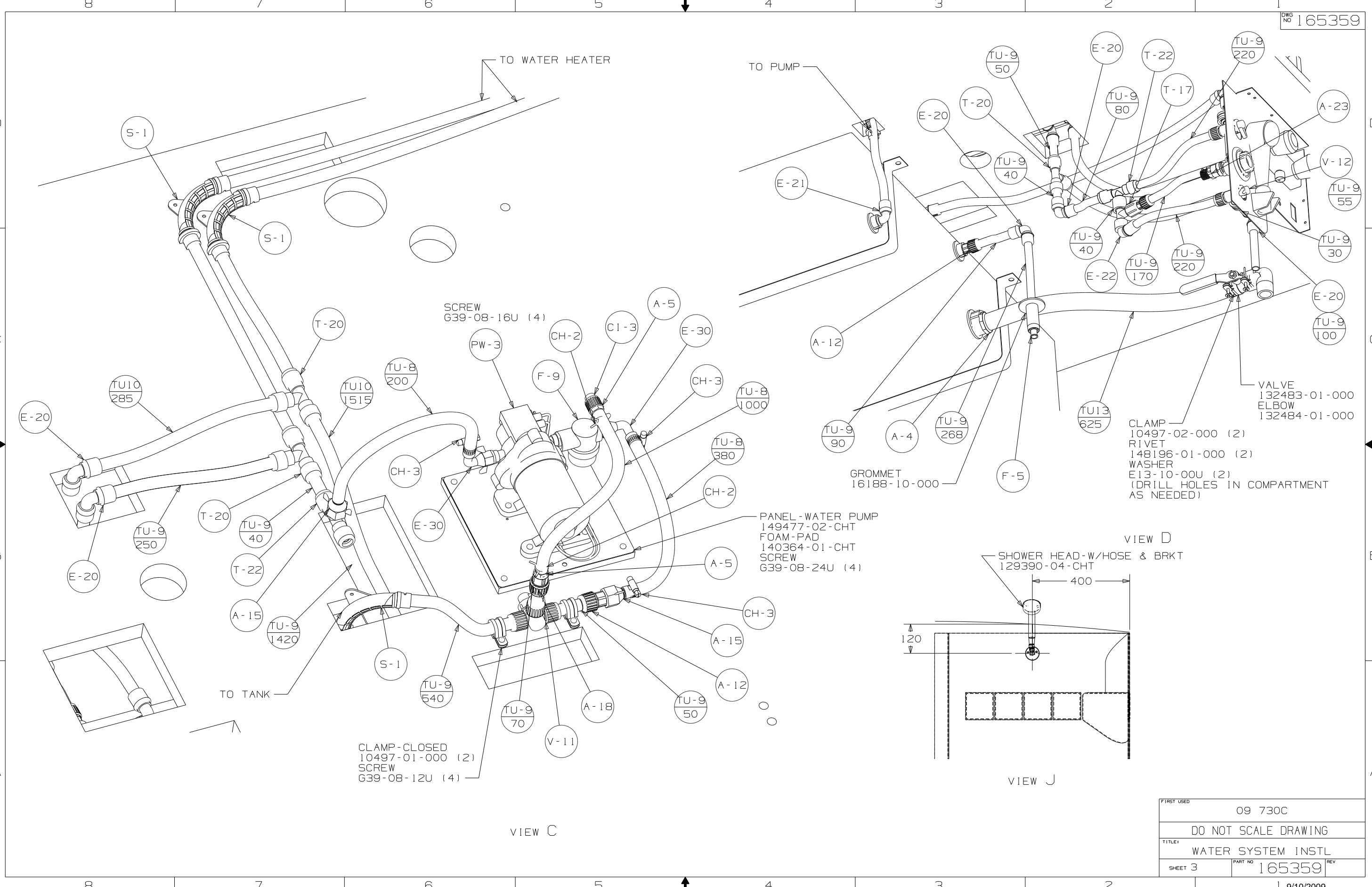
FILTER KIT-WATER, SINK
160946-03-000 (29B)
SCREW 667-10-12U (2)

TO TOILET

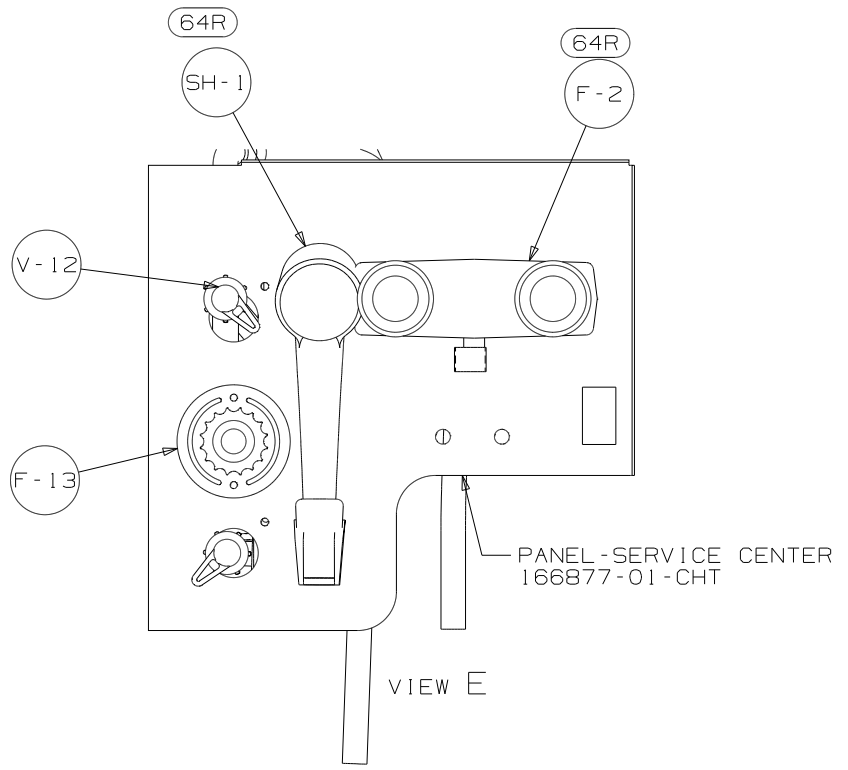


VIEW A

FIRST USED	09 730C
TITLE:	DO NOT SCALE DRAWING
	WATER SYSTEM INSTL
SHEET 2	PART NO 165359 REV



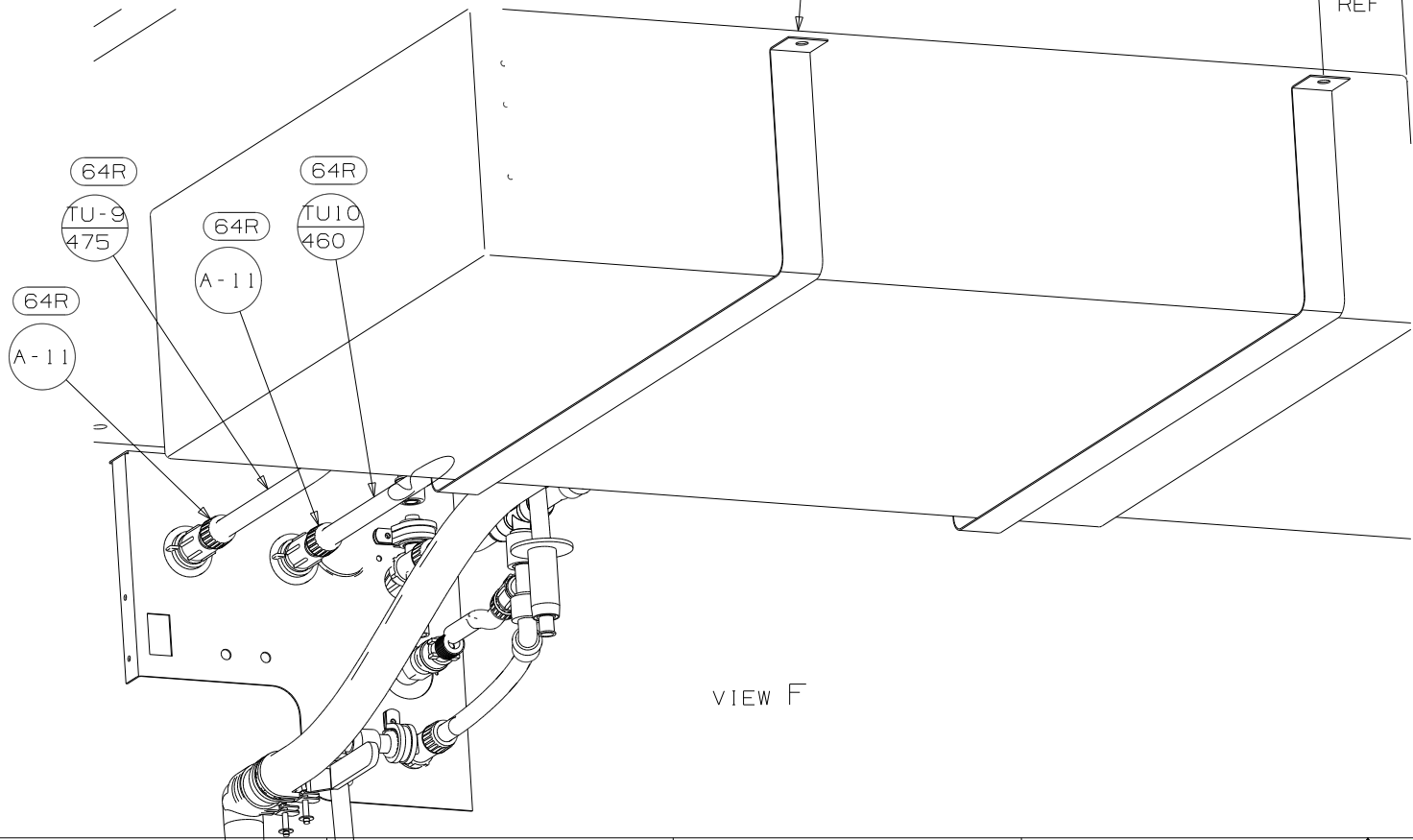
FIRST USED	09 730C
DO NOT SCALE DRAWING	
TITLE:	WATER SYSTEM INSTL
SHEET 3	PART NO 165359 REV



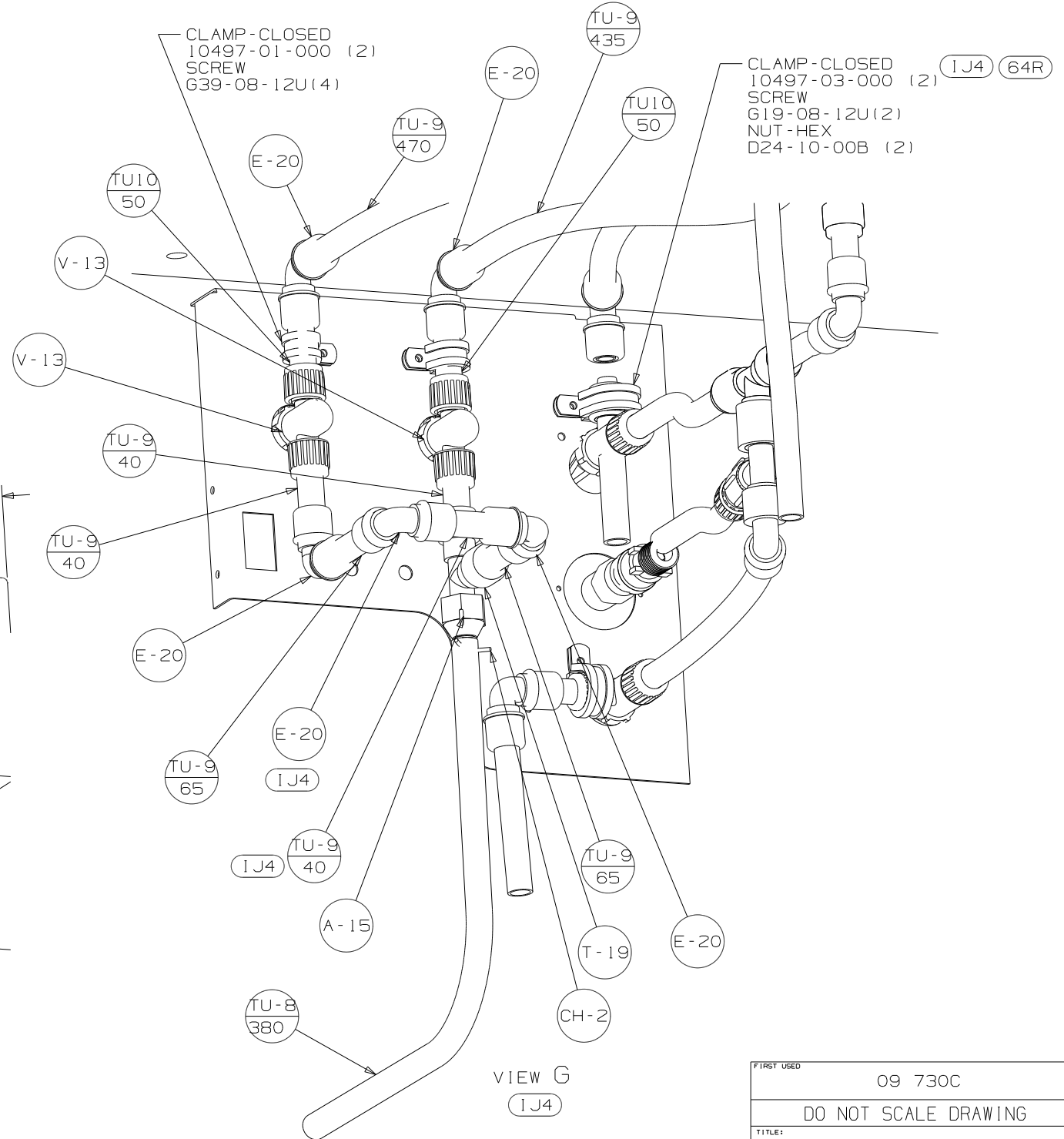
VIEW E

TANK - WATER, 30 GAL
 169713-02-000
 STRAP - TANK
 118994-06-CHT (2)

72
 REF

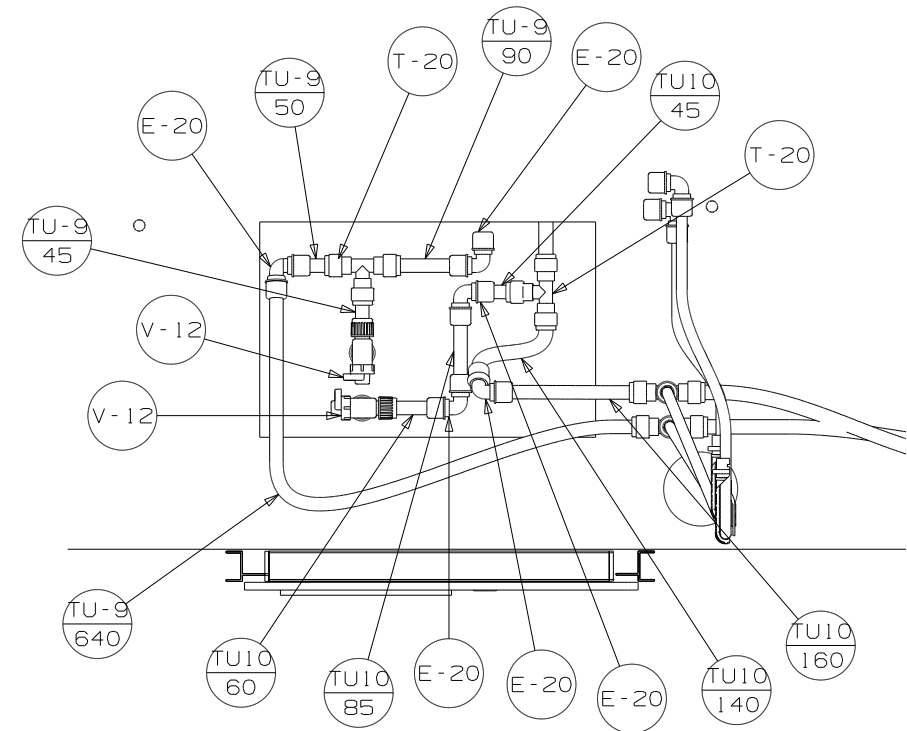


VIEW F



VIEW G

FIRST USED	09 730C
DO NOT SCALE DRAWING	
TITLE:	WATER SYSTEM INSTL
SHEET 4	PART NO 165359 REV



VIEW K

FIRST USED	09 730C		
DO NOT SCALE DRAWING			
TITLE:	WATER SYSTEM INSTL		
SHEET 5	PART NO	165359	REV