



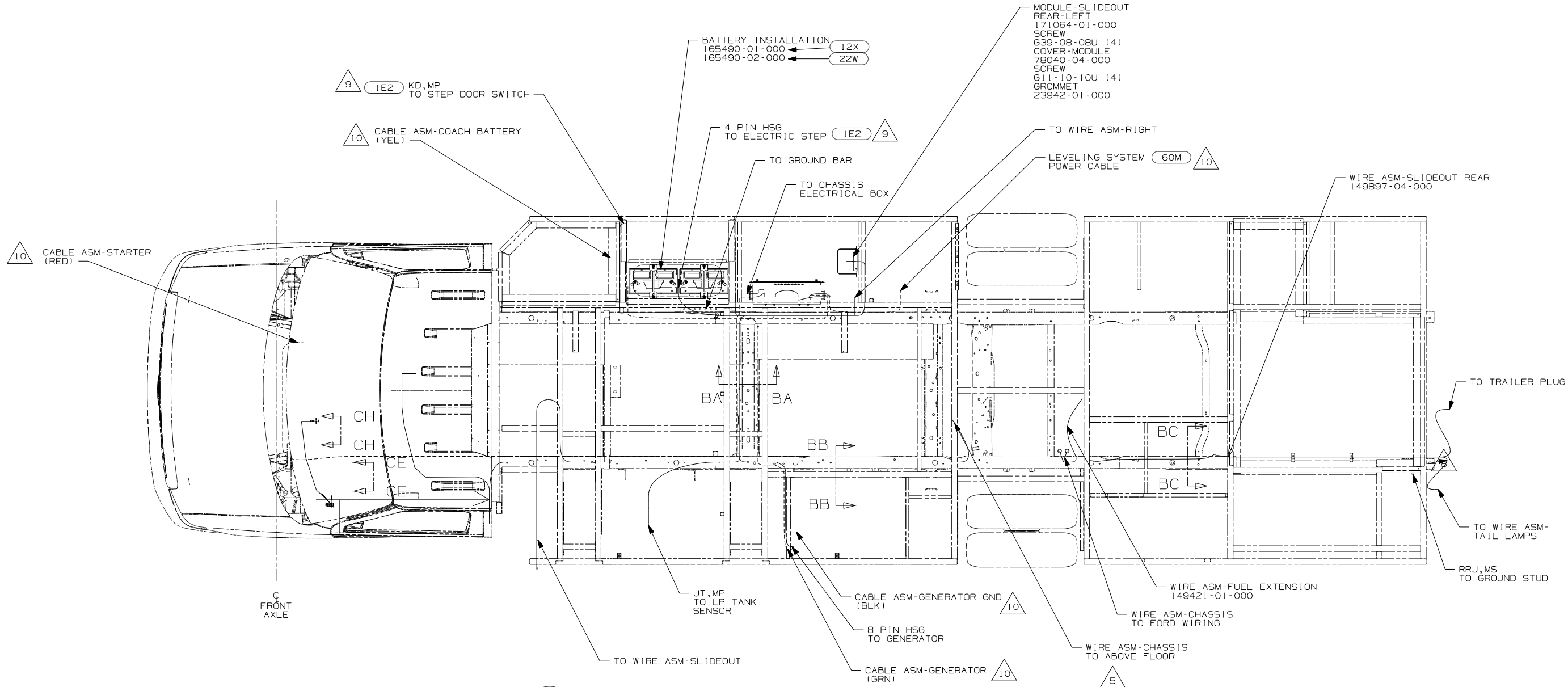
DANGER

Danger of electrical shock, burns or death. Always remove all power sources before attempting any repair, service or diagnostic work. Power can be present from shore power, generator, inverter or battery. All power sources must be disabled and secured before performing any service.

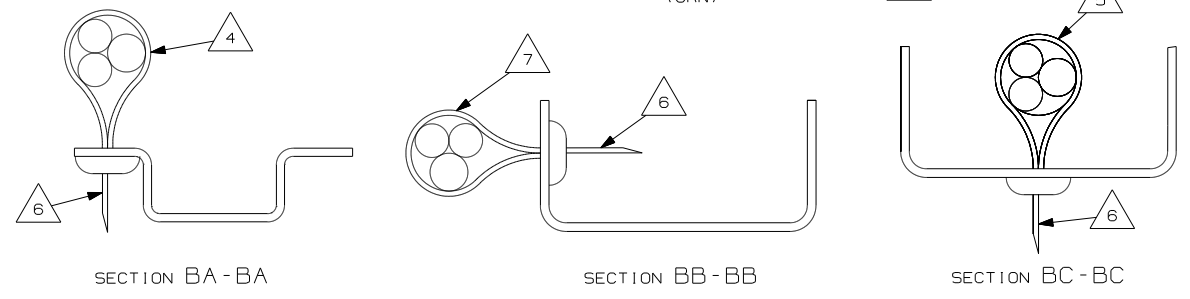


CAUTION

If you lack the skills, tools or equipment to perform diagnostic or repair work leave such work to an authorized Winnebago Industries dealer or other qualified shop.



- 10 SEE BATTERY INSTALLATION FOR ADDITIONAL INFORMATION.
- 9 SECURE WIRE DROP BACK TO MAIN WIRE ASM WHEN NOT USED.
- 8 COIL UP EXCESS MONITOR CABLE HERE.
- 7 WIRES TO BE TIED TO TOP OF RAIL USING EXISTING HOLES.
- 6 CUT OFF EXCESS END OF WIRE TIE.
- 5 WIRES TO BE TIED TO INSIDE OF RAIL USING EXISTING HOLES.
- 4 WIRES TO BE TIED TO CROSS MEMBER USING EXISTING HOLES.



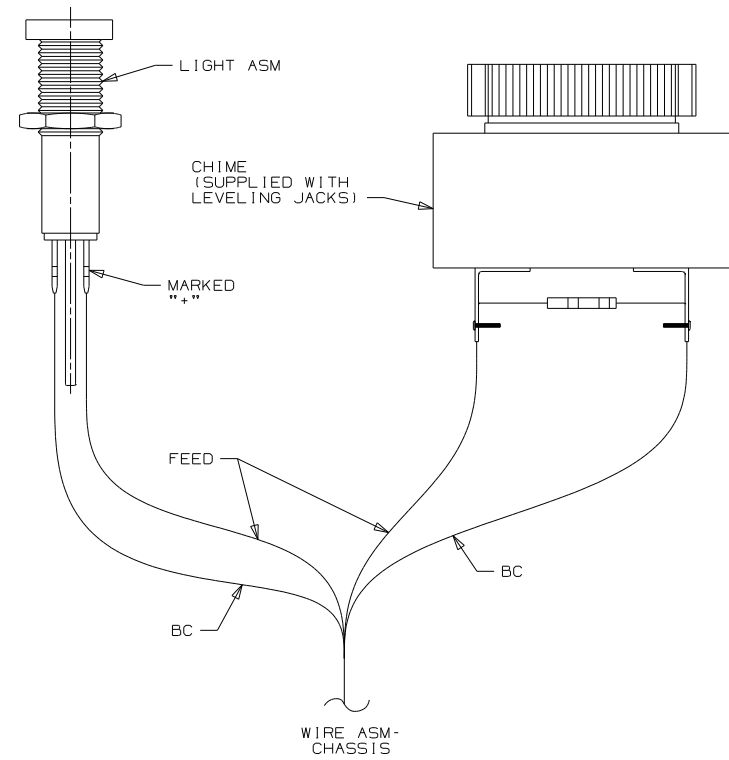
3. SECURE WIRE ASM AND CABLES WITH WIRE TIE 8343-01-000 OR 116673-01-000 AT NO MORE THAN 600MM CENTER ALONG ENTIRE ROUTED PATH.
2. SECURE CONDUIT 41953, TAB AS REQUIRED, OVER ALL WIRES IN CONTACT WITH SHARP EDGES.
1. LEGEND: — WINNEBAGO: - - - - - CABLE: - - - - - CHASSIS SUPPLIED WIRING.

- 60M HYDRAULIC LEVEL JACKS-AUTO
- 22W BATTERY-SECOND
- 12X BATTERY-ONE
- 1E2 ENTRANCE STEP-ELEC.
- 16Y FORD CHASSIS 14,500 LB.GVWR
- 265 CODES/STANDARDS-CSA/CMVSS
- 1B1 CODES/STANDARDS USA

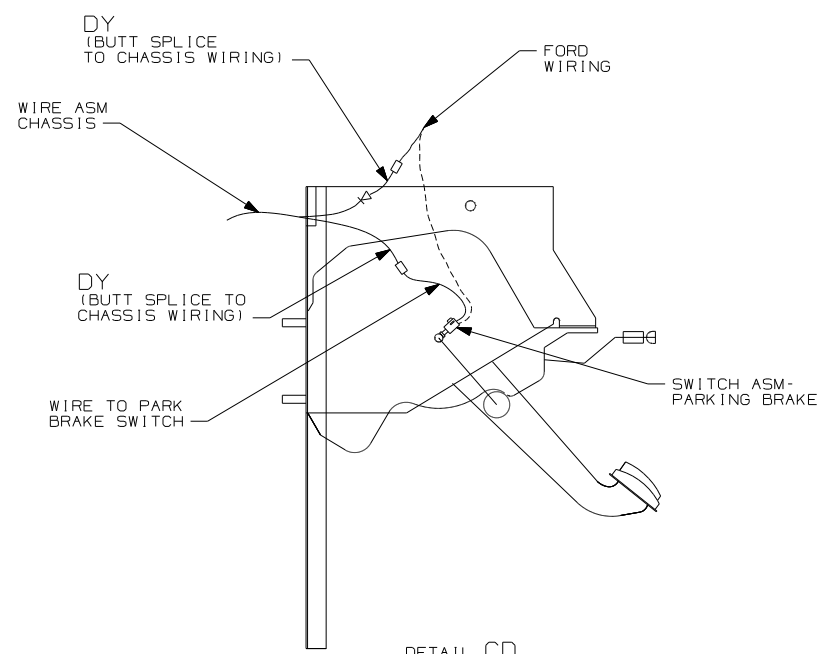
FOR ELECTRICAL TORQUE SPECIFICATIONS SEE DWG NO. 128783-01-000

FOR ELECTRICAL CALLOUTS SEE DWG NO. 121339-01-000

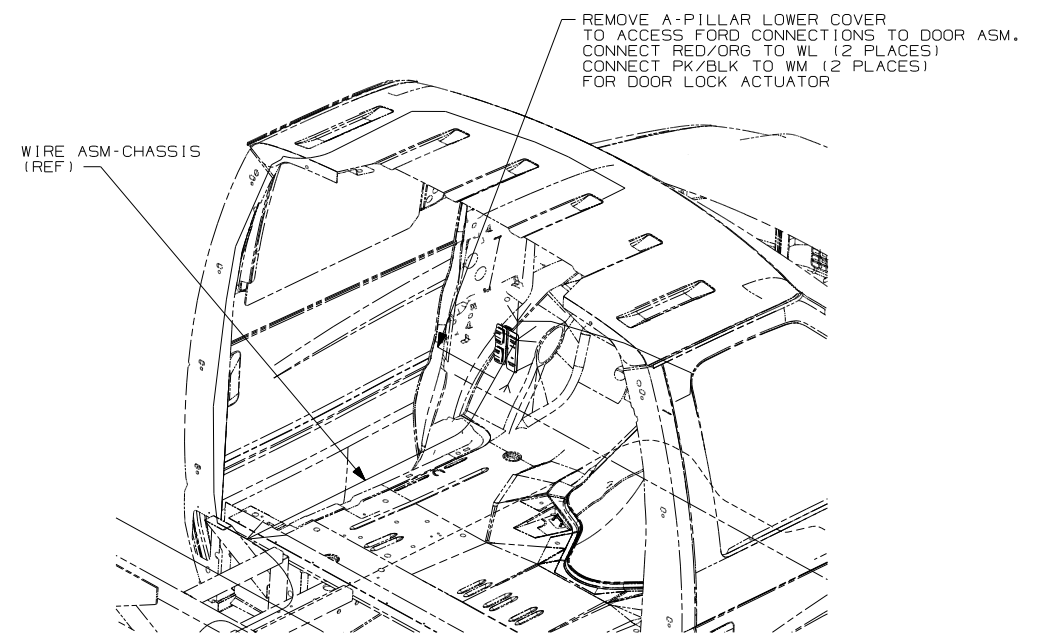
FIRST USED	09 728B
TITLE:	DO NOT SCALE DRAWING
	WIRING INSTL-CHASSIS
SHEET 2	PART NO 164449 REV



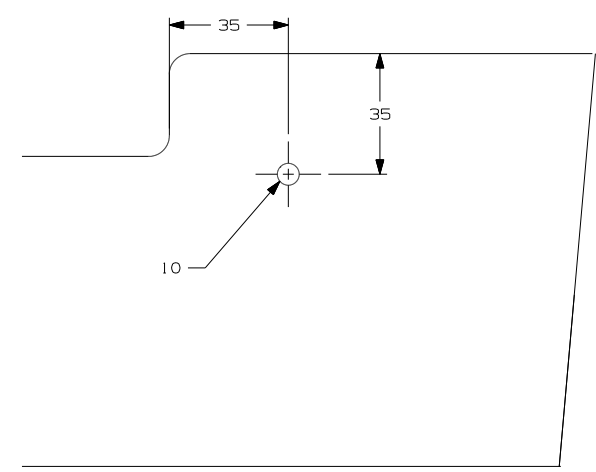
DETAIL CG 60M



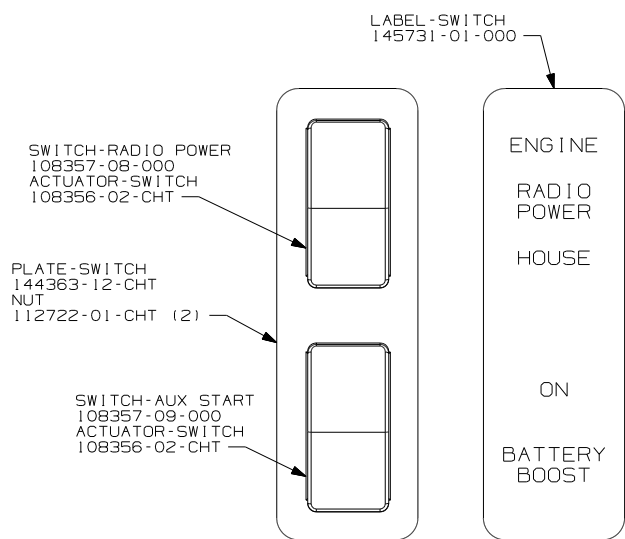
DETAIL CD



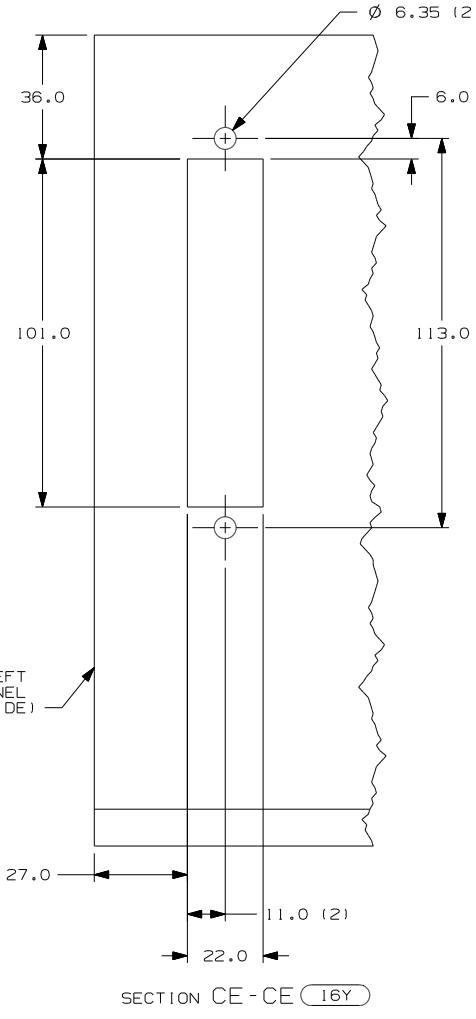
DETAIL CB 16E



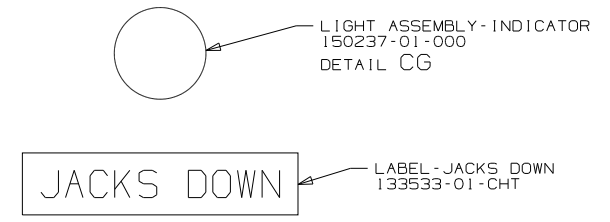
DETAIL CH 60M



DETAIL CC 16Y



SECTION CE-CE 16Y



DETAIL CF 60M

LOWER LEFT DASH PANEL (LEFT SIDE)

NOTES:

FOR ELECTRICAL TORQUE SPECIFICATIONS SEE DWG NO. 128783-01-000

FOR ELECTRICAL CALLOUTS SEE DWG NO. 121339-01-000

- 16Y FORD CHASSIS 14,500 LB.GVWR
- 265 CODES/STANDARDS-CSA/CMVSS
- 1B1 CODES/STANDARDS USA
- 1B1 265

FIRST USED	09 728B
TITLE:	DO NOT SCALE DRAWING
WIRING INSTL-CHASSIS	
SHEET 3	PART NO 164449 REV