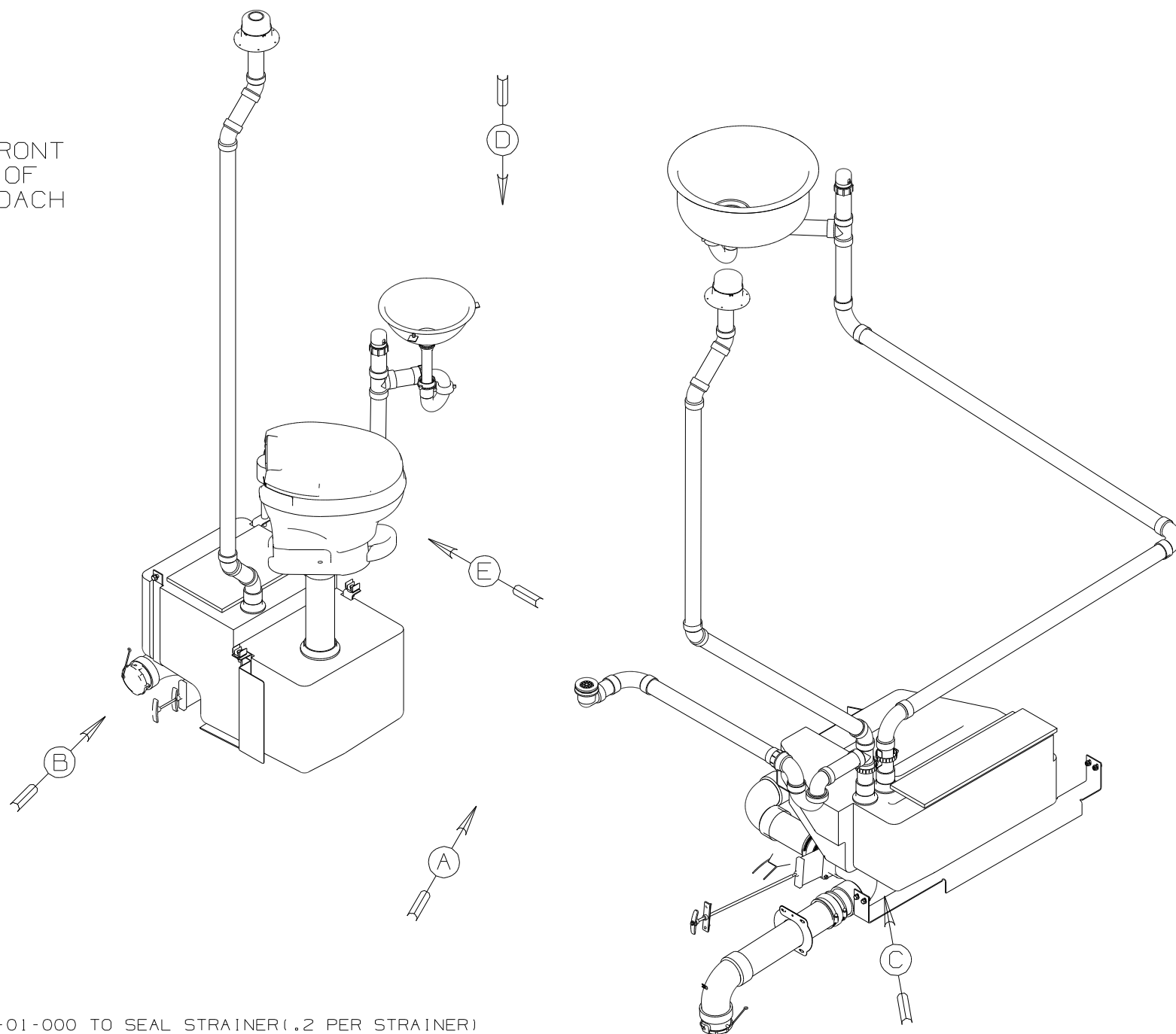


FRONT
OF
COACH

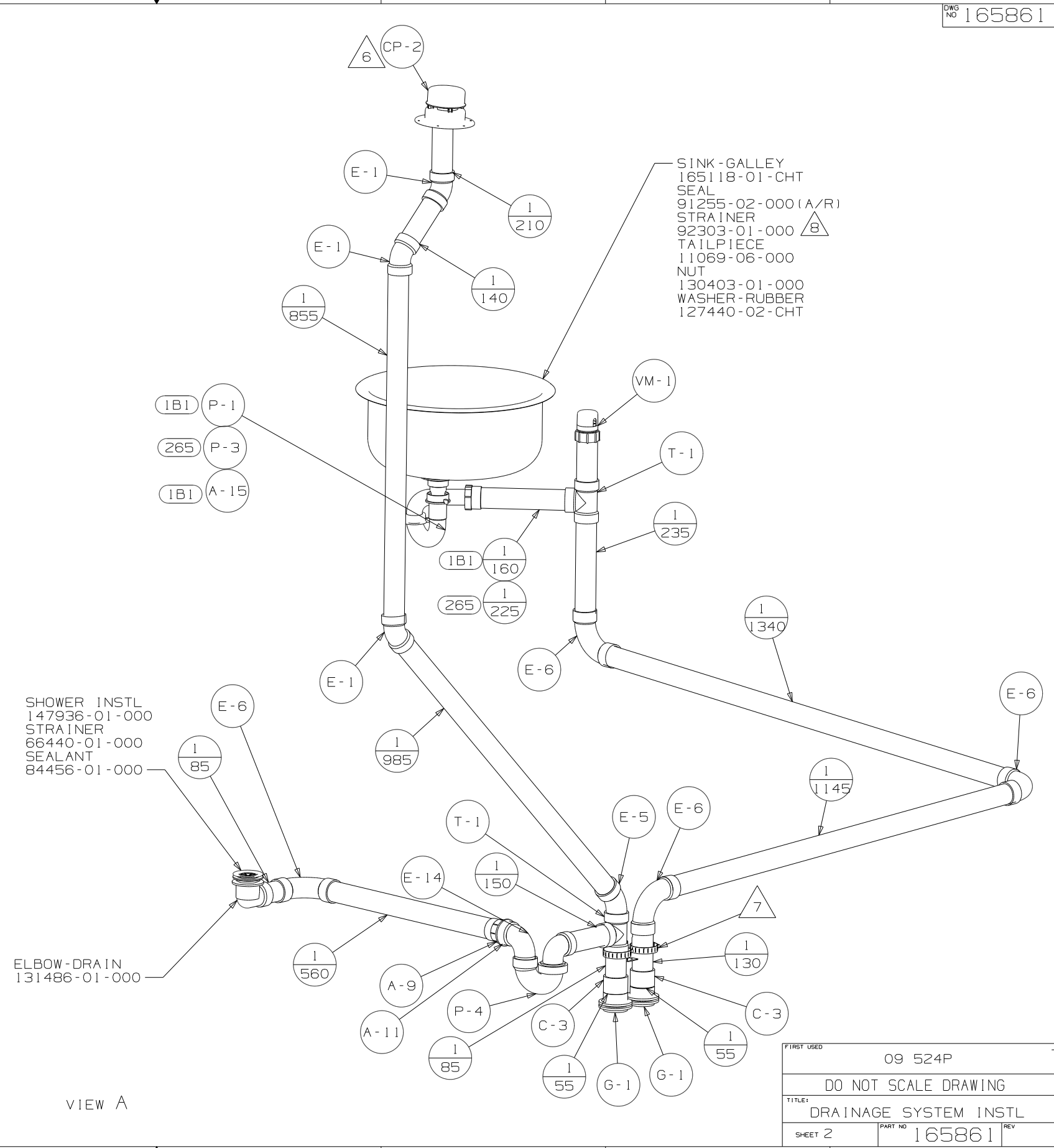
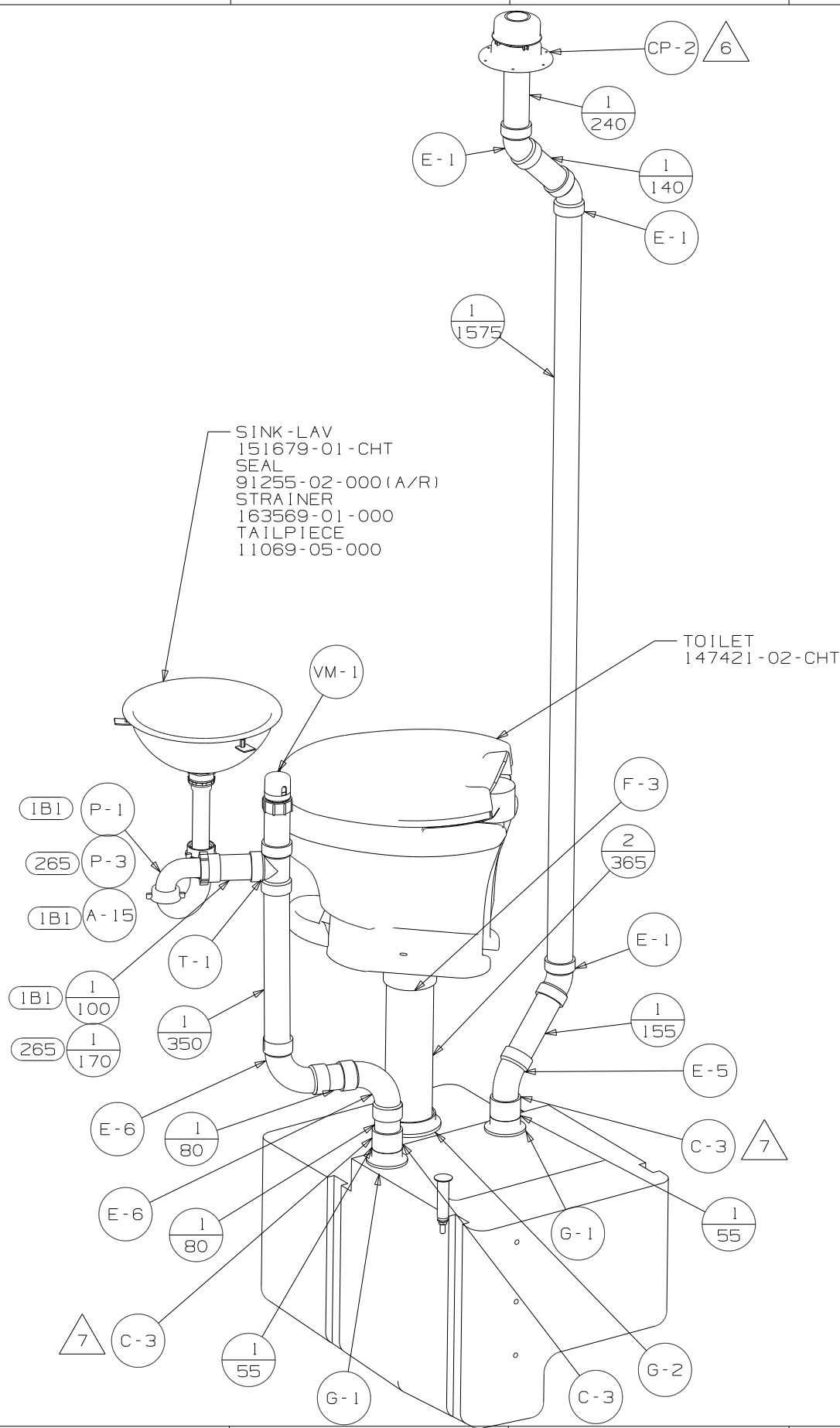


- (B1) CODES/STANDARDS-USA
- (265) CODES/STANDARDS-CSA/CMVSS
- (1JD) DRAINAGE SYSTEM-HEATED-W/O
- (23T) DRAINAGE SYSTEM-HEATED

- NOTES:
8. USE SMOOTH PLUMBERS PUTTY 167459-01-000 TO SEAL STRAINER(.2 PER STRAINER)
 7. SECURE VENT TUBES TO FLOOR WITH CLAMP 62401-02-000,SCREW G67-10-12B (2), BRACKET 136878-01-CHT.
 6. VENT PIPE MUST PROJECT 51 MIN AND 64 MAX ABOVE ROOF FOR PROPER FIT AND FUNCTION.
 5. SEAL AROUND SHOWER WITH SILICONE.
 4. SECURE PIPES TO CABINET USING WIRE TIE 108046-02-000, AND SCREW G67-10-12B.
 3. ALL PIPE AND FITTINGS TO BE ASSEMBLED WITH SOLVENT 4020-01-000 (USA), 4020-02-000 (CAN)
 2. SLOPE OF TRAP ARM MUST BE 6 PER 305 mm.
 1. SLOPE OF HORIZONTAL PIPING TO BE MIN 3 PER 305 mm.

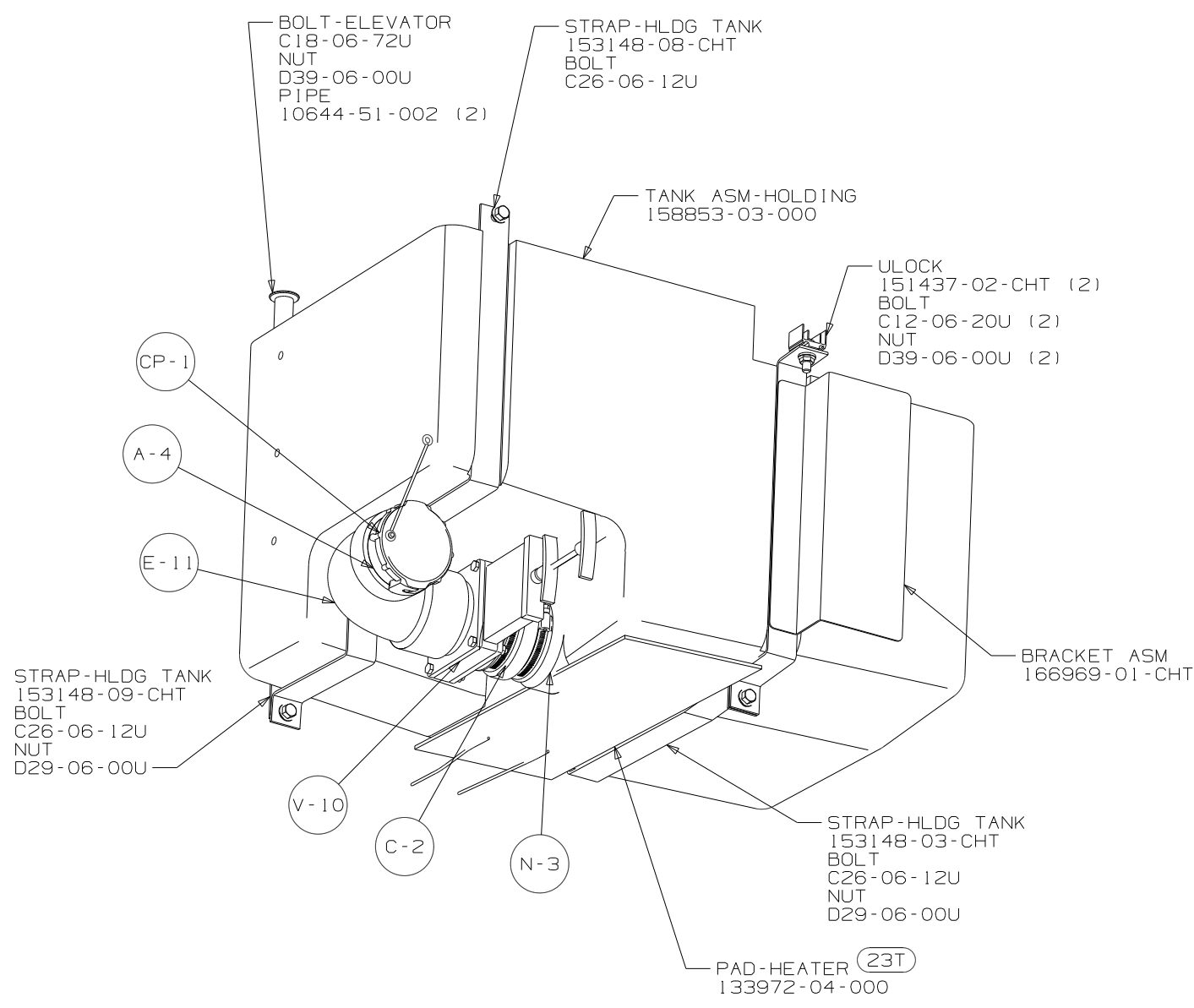
(X-X)
FOR
DRAINAGE
CALLOUTS
SEE DWG NO
116229-01-000

WINNEBAGO		COPYRIGHT 2008 WINNEBAGO INDUSTRIES, INC.	
D/FR	ORIG. DATE	ALL DIMENSIONS ARE IN MILLIMETERS	
CHKR		FIRST USED	
P.E.		09 524P	
M.E.		UNSPECIFIED TOLERANCES ARE:	
DSNR		MATERIAL:	
		WHOLE DIM (X)	: 3
		ONE-PLACE (X.X)	: 1.5
		TWO-PLACE (X.XX)	: 0.50
		ANGLE	: 1°
THIRD ANGLE PROJECTION		DO NOT SCALE DRAWING	
TITLE: DRAINAGE SYSTEM INSTL			
SHEET 1 OF 4	PART NO	165861	REV
REF:	1 7/11/2008		

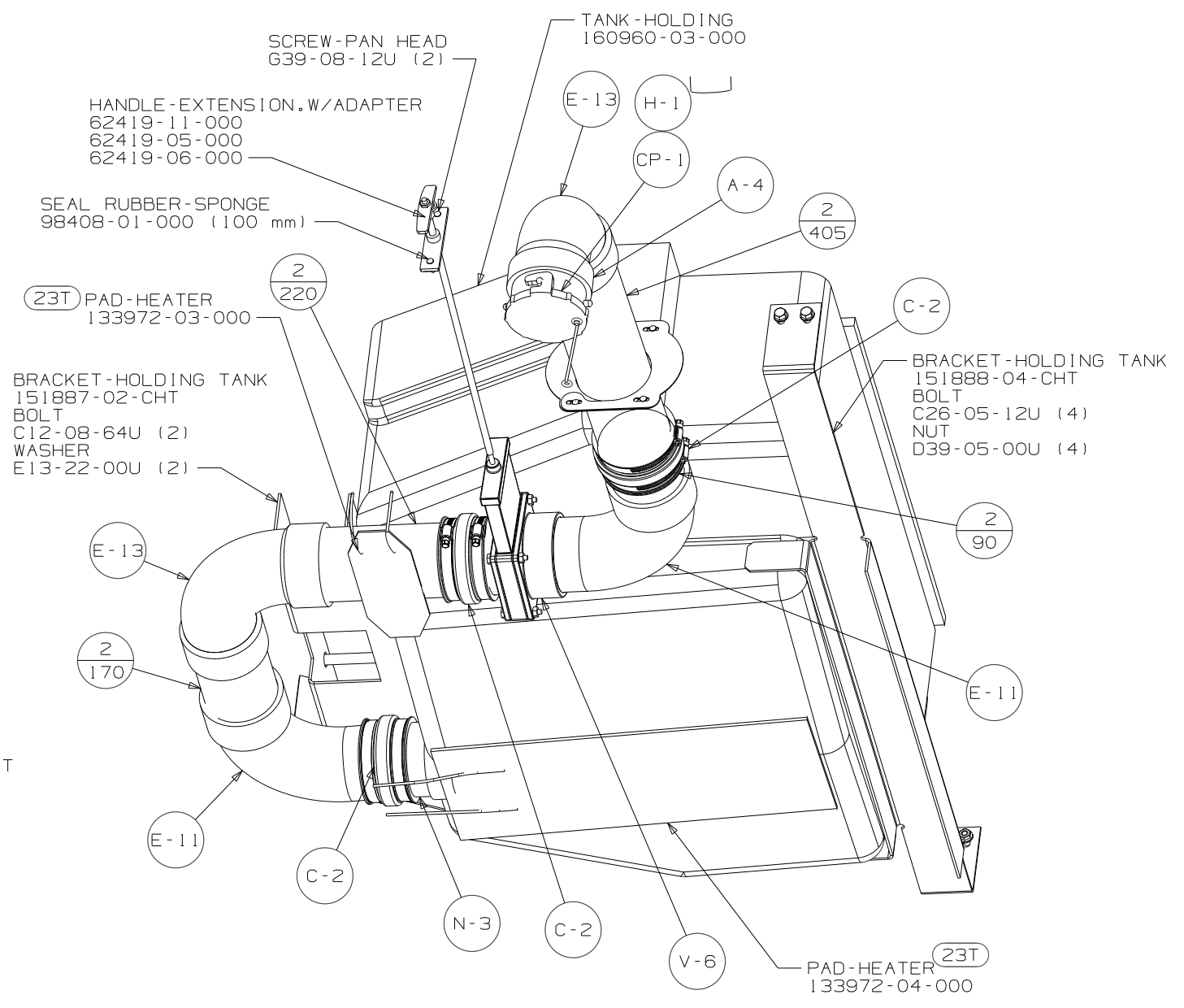


VIEW A

FIRST USED	09 524P		
TITLE	DO NOT SCALE DRAWING		
	DRAINAGE SYSTEM INSTL		
SHEET 2	PART NO	165861	REV

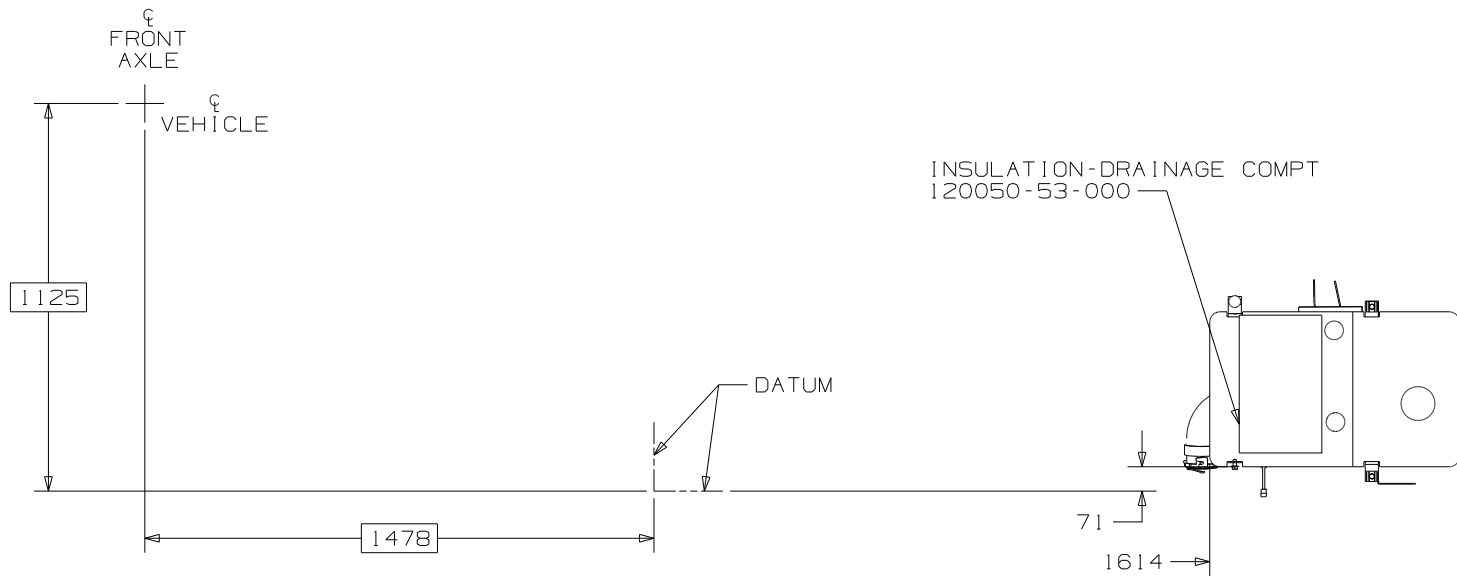


VIEW B

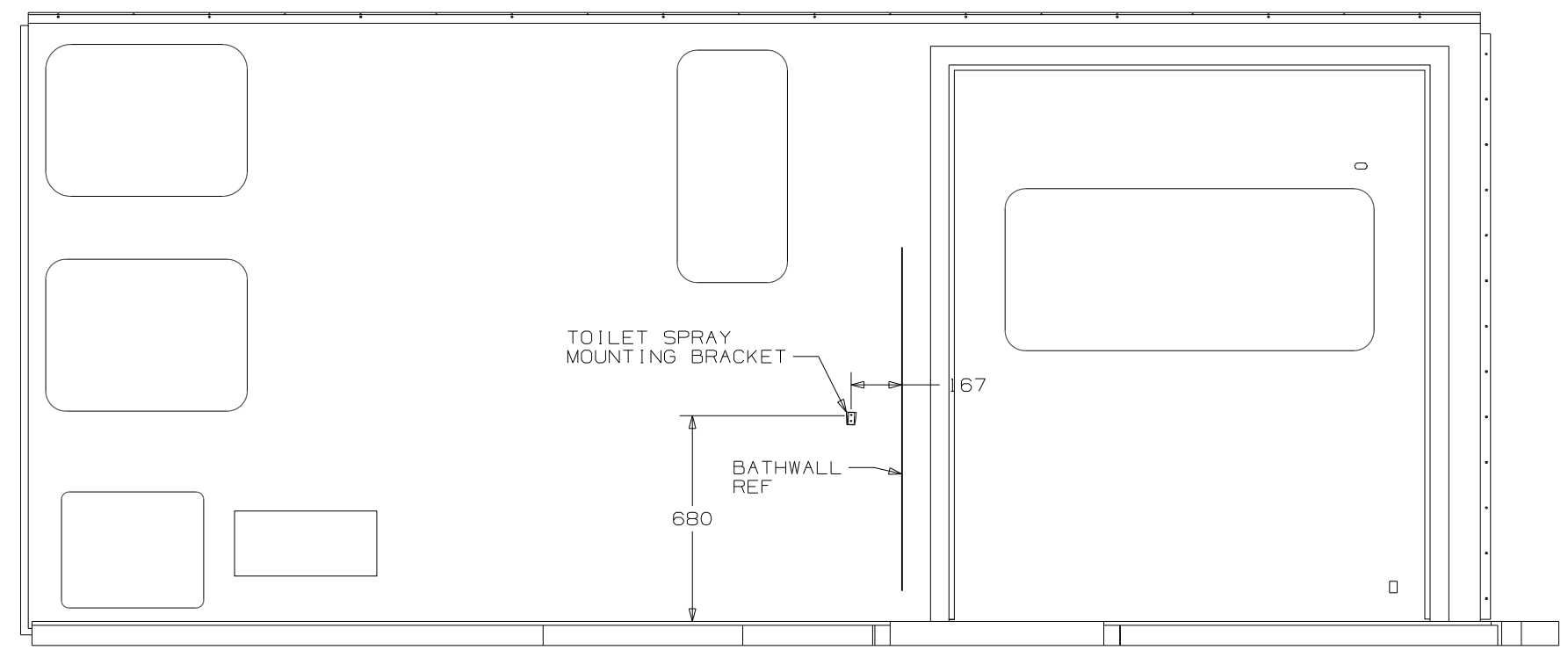
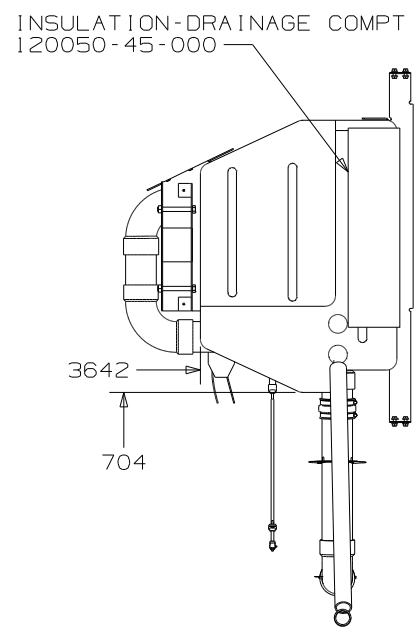


VIEW C

FIRST USED	09 524P	
DO NOT SCALE DRAWING		
TITLE:	DRAINAGE SYSTEM INSTL	
SHEET 3	PART NO	165861
REV		

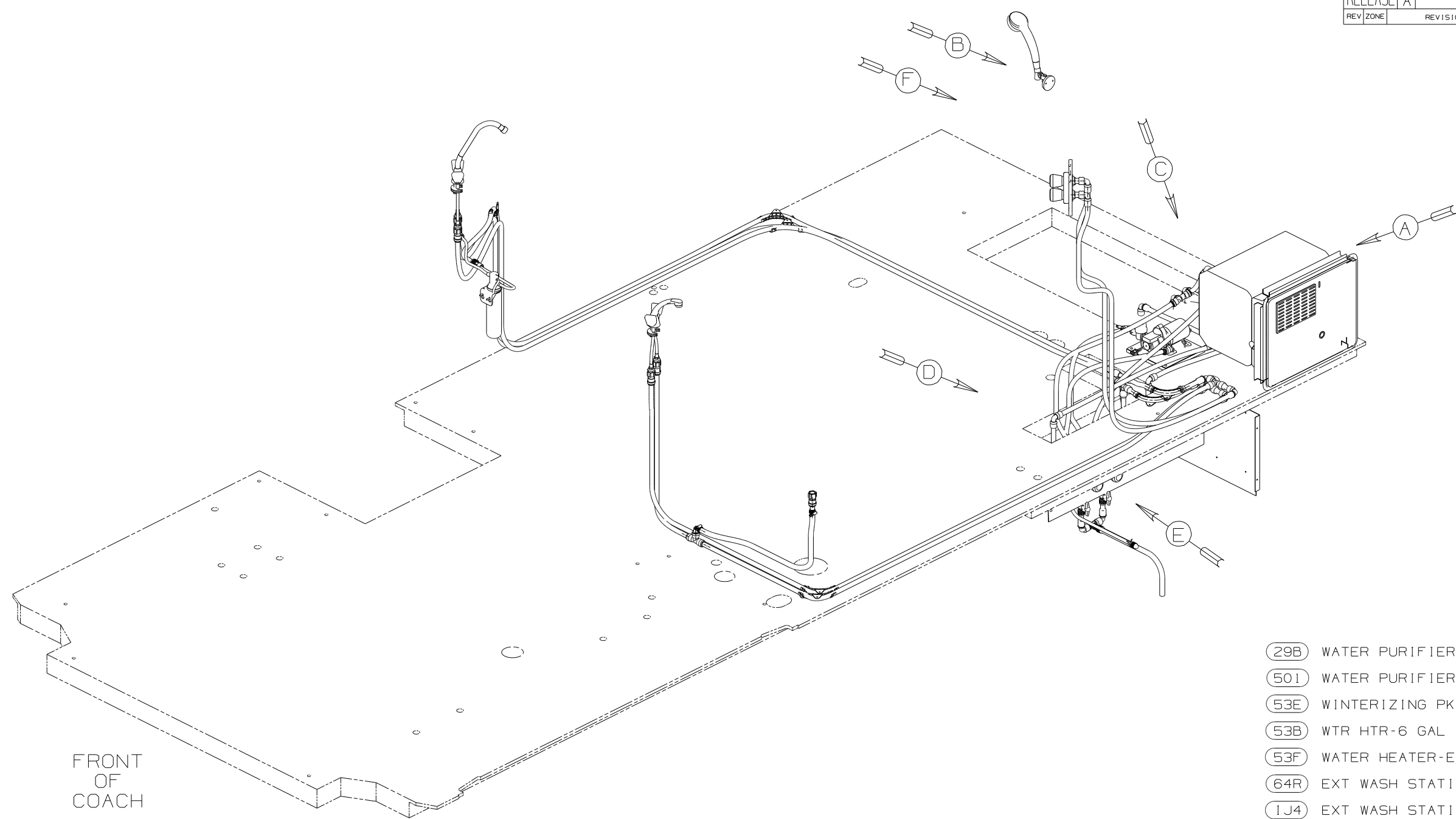


VIEW D



VIEW E

FIRST USED	09 524P	
TITLE	DO NOT SCALE DRAWING	
	DRAINAGE SYSTEM INSTL	
SHEET 4	PART NO 165861	REV

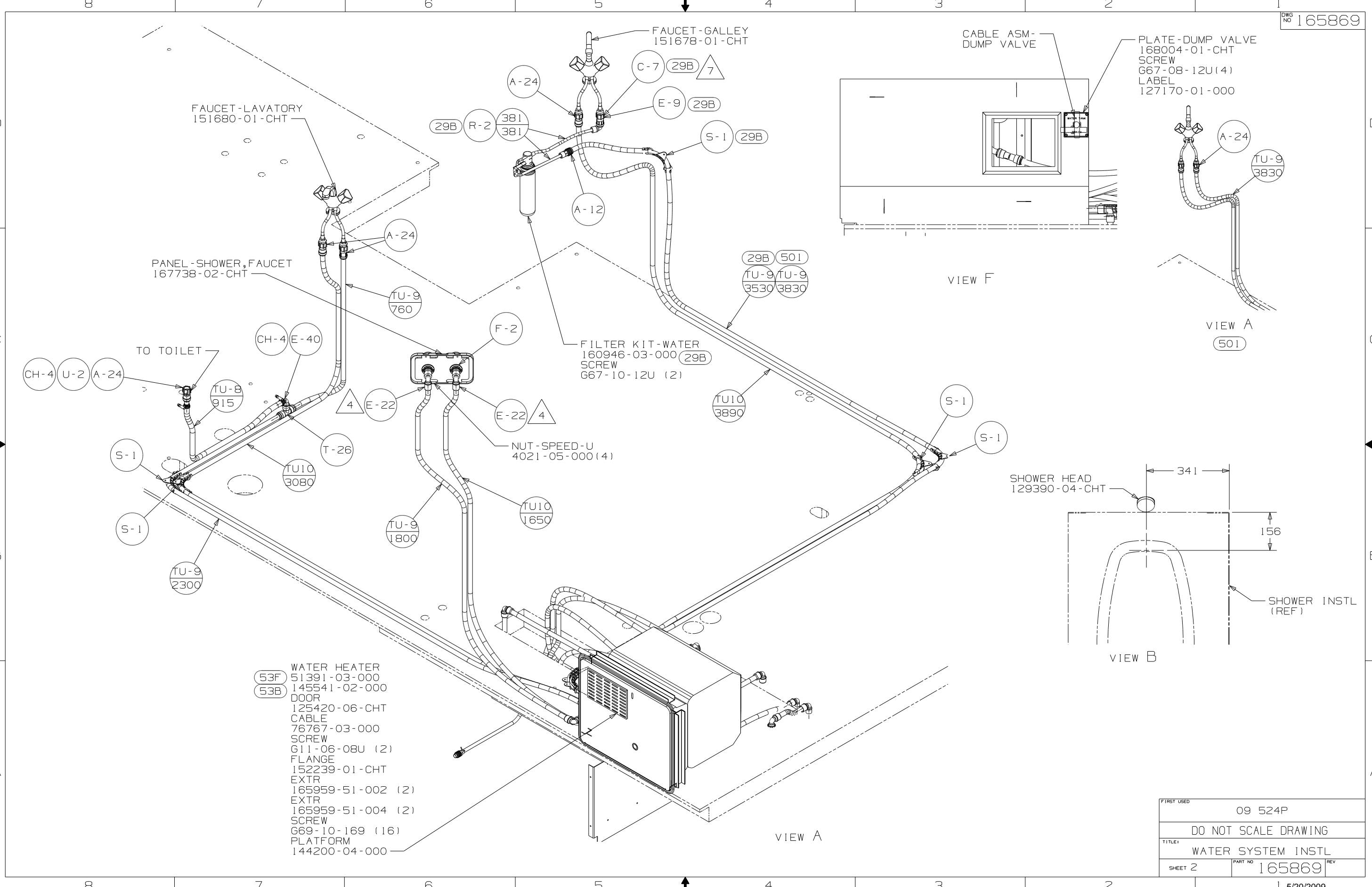


- (29B) WATER PURIFIER
- (501) WATER PURIFIER W/O
- (53E) WINTERIZING PKG
- (53B) WTR HTR-6 GAL ELECTRIC/LP GAS
- (53F) WATER HEATER-ELEC IGN
- (64R) EXT WASH STATION
- (1J4) EXT WASH STATION W/O

- NOTES:
- 7 INSTALL CONNECTOR WITH TAPERED END AWAY FROM FAUCET.
 - 6 ADD TEFLON TAPE 10405-03-000.
 - 5 ADD TEFLON TAPE 10405-02-000.
 - 4 ADD TEFLON TAPE 10405-01-000.
3. ALL TUBING TO BE SECURED AT 1200 INTERVALS MAXIMUM WITH CLAMP 10495-01-000 AND SCREW G67-10-12B OR EQUIVALENT.
 2. TUBING TO BE INSTALLED WITH SUFFICIENT SLOPE TO PROVIDE DRAINAGE TO NEAREST VALVE.
 1. PLASTIC FITTINGS TO BE SEALED WITH SEALANT 84456-01-000.

(X-X)
FOR
WATER
CALLOUTS
SEE DWG NO
116230-01-000

WINNEBAGO		COPYRIGHT 2009 WINNEBAGO INDUSTRIES, INC.	
DFT#	ORIG. DATE	ALL DIMENSIONS ARE IN MILLIMETERS	
CHK#		FIRST USED	
P.E.		09 524P	
M.E.		UNSPECIFIED TOLERANCES ARE:	
DSNR		MATERIAL:	
		WHOLE DIM (X)	: 3
		ONE-PLACE (X.X)	: 1.5
		TWO-PLACE (X.XX)	: 0.50
		ANGLE	: 1°
THIRD ANGLE PROJECTION		DO NOT SCALE DRAWING	
TITLE: WATER SYSTEM INSTL			
SHEET 1 OF 4	PART NO	165869	REV
REF:	1 5/20/2009		



FAUCET-LAVATORY
151680-01-CHT

FAUCET-GALLEY
151678-01-CHT

CABLE ASM-
DUMP VALVE

PLATE-DUMP VALVE
168004-01-CHT
SCREW
G67-08-12U(4)
LABEL
127170-01-000

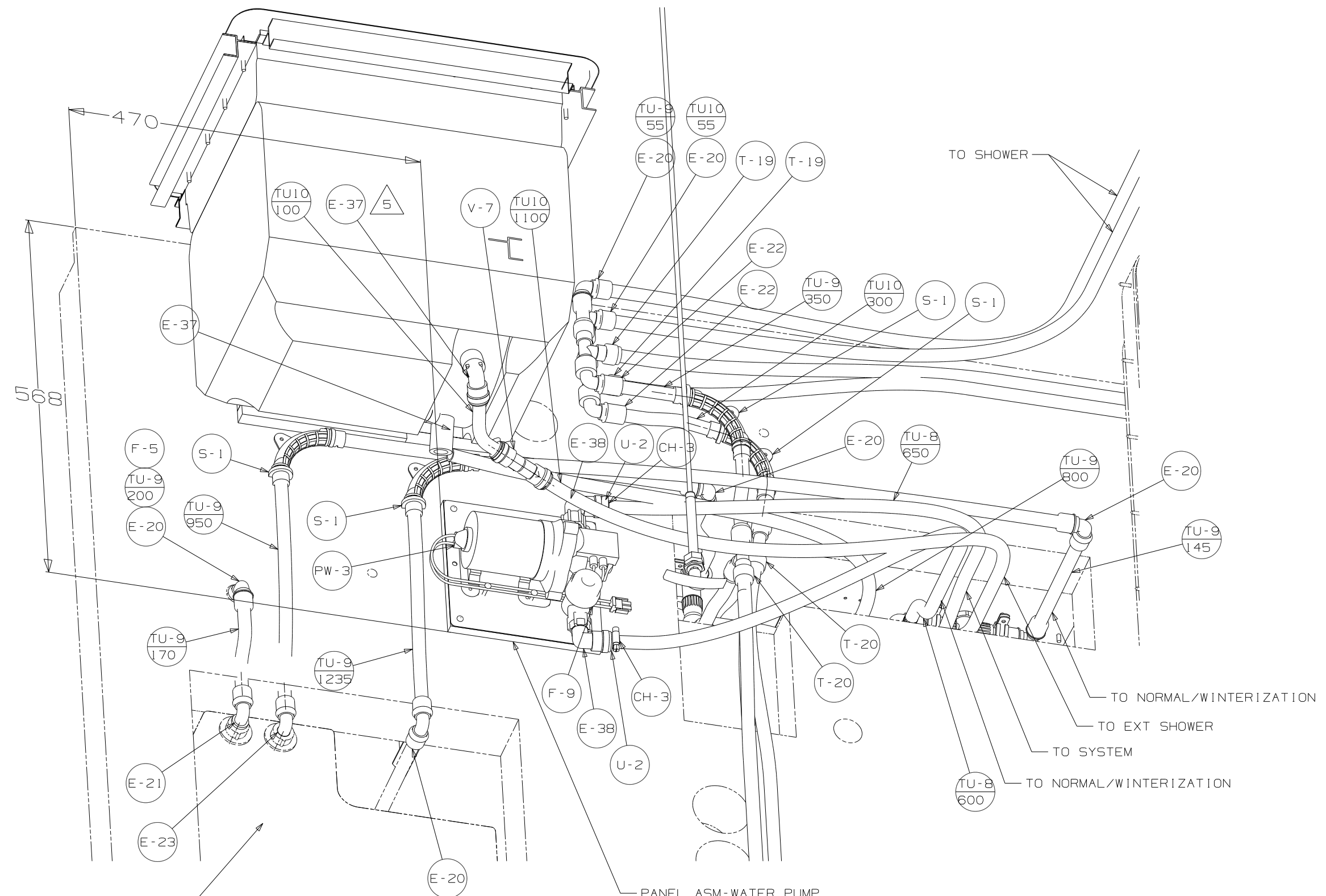
PANEL-SHOWER, FAUCET
167738-02-CHT

FILTER KIT-WATER
160946-03-000
SCREW
G67-10-12U (2)

SHOWER HEAD
129390-04-CHT

- WATER HEATER
- 53F 51391-03-000
- 53B 145541-02-000
- DOOR
- 125420-06-CHT
- CABLE
- 76767-03-000
- SCREW
- G11-06-08U (2)
- FLANGE
- 152239-01-CHT
- EXTR
- 165959-51-002 (2)
- EXTR
- 165959-51-004 (2)
- SCREW
- G69-10-169 (16)
- PLATFORM
- 144200-04-000

FIRST USED	09 524P
TITLE:	DO NOT SCALE DRAWING
SHEET 2	PART NO 165869 REV
1 5/20/2009	

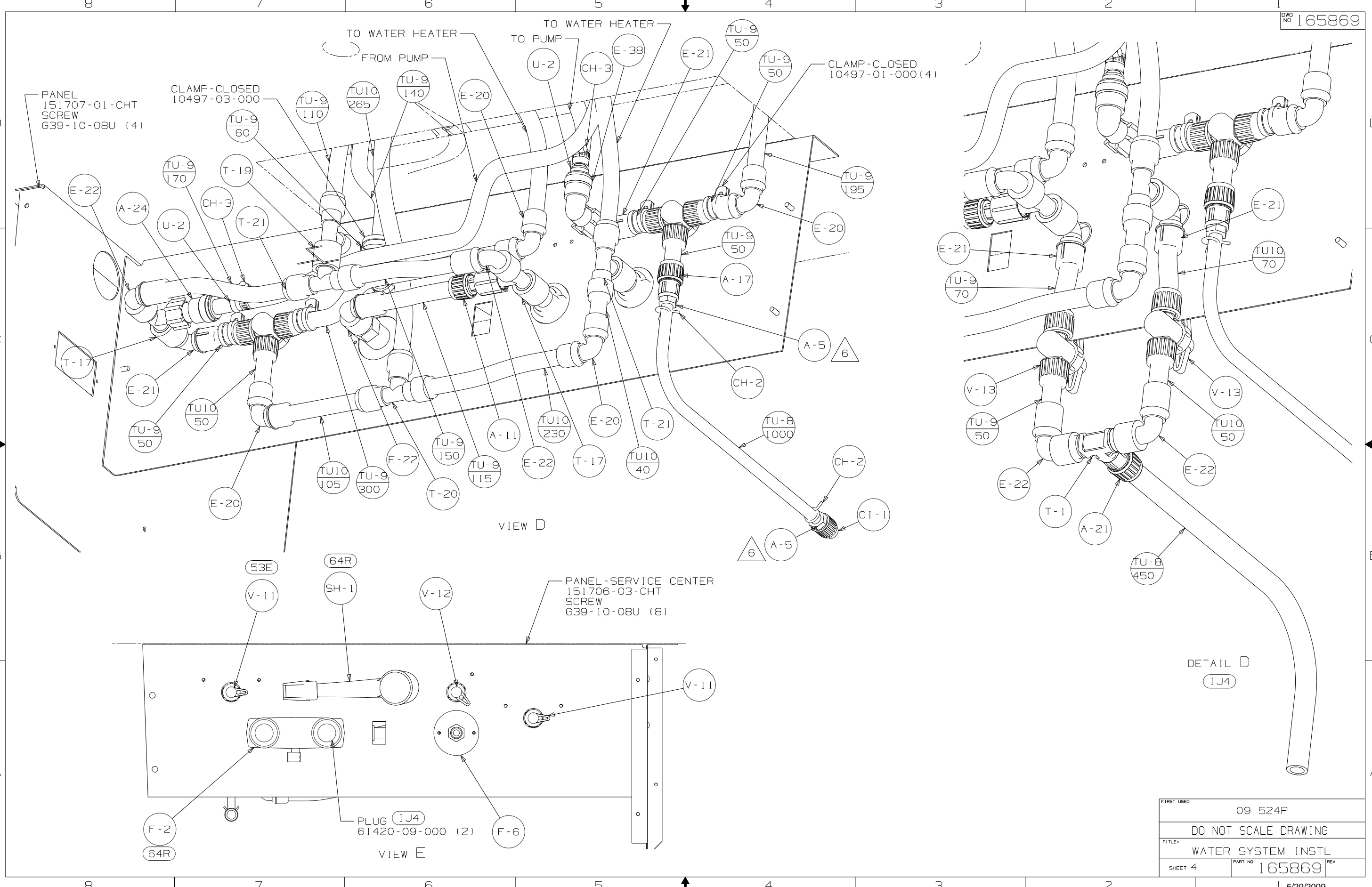


COMPARTMENT ASM-WATER TANK
IS CALLED OUT ON FRAME ASM
DRAWING 165864.

PANEL ASM-WATER PUMP
149477-02-CHT
FOAM
140364-01-CHT
SCREW
G39-08-24B

VIEW C

FIRST USED	09 524P
DO NOT SCALE DRAWING	
TITLE:	WATER SYSTEM INSTL
SHEET 3	PART NO 165869 REV



FIRST USED	09 524P
DO NOT SCALE DRAWING	
TITLE:	WATER SYSTEM INSTL
SHEET 4	PART NO 165869 REV
1 5/20/2009	