

- (B1) CODES/STANDARDS-USA
- (265) CODES/STDS-CSA/CMVSS
- (23T) DRAINAGE SYSTEM-HEATED
- (1JD) DRAINAGE SYSTEM-HEATED-W/O
- (464) TOILET

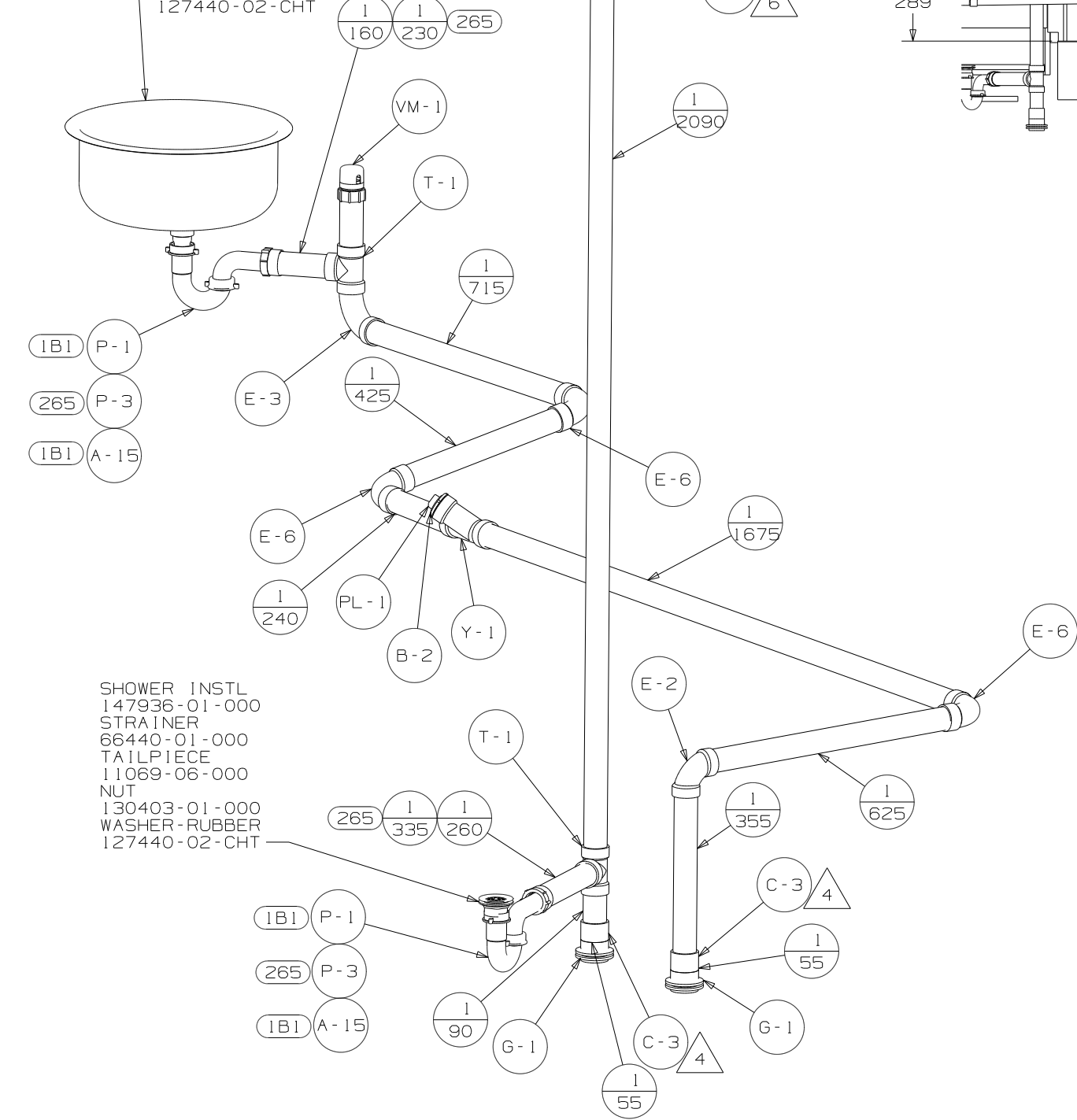
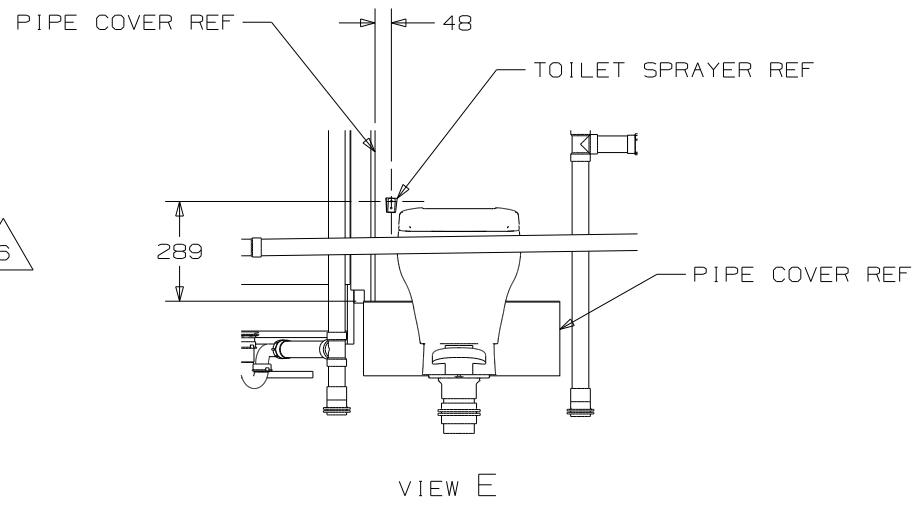
- 7. USE SMOOTH PLUMBERS PUTTY 167459-01-000 TO SEAL STRAINER (.2 PER STAINER)
- 6. VENT PIPE MUST PROJECT 51 MIN AND 64 MAX ABOVE ROOF FOR PROPER FIT AND FUNCTION.
- 5. SEAL AROUND SHOWER WITH SILICONE.
- 4. SECURE VENT TUBES TO FLOOR WITH CLAMP 62401-02-000 (2), SCREW G67-10-12B (2), BRACKET 136878-01-CHT (2).
- 3. ALL PIPE AND FITTINGS TO BE ASSEMBLED WITH SOLVENT 4020-01-000 (USA), 4020-02-000 (CAN)
- 2. SLOPE OF TRAP ARM MUST BE 6 PER 305 mm.
- 1. SLOPE OF HORIZONTAL PIPING TO BE MIN 3 PER 305 mm.

NOTES:

(X-X)
FOR DRAINAGE CALLOUTS SEE DWG NO 116229-01-000

WINNEBAGO		COPYRIGHT 2008 WINNEBAGO INDUSTRIES, INC.	
D/FR	ORIG. DATE	ALL DIMENSIONS ARE IN MILLIMETERS	
CHKR		FIRST USED	
P.E.		09 524J	
M.E.		UNSPECIFIED TOLERANCES ARE:	
DSNR		MATERIAL:	
		WHOLE DIM (X)	: 3
		ONE-PLACE (X.X)	: 1.5
		TWO-PLACE (X.XX)	: 0.50
		ANGLE	: 1°
THIRD ANGLE PROJECTION		DO NOT SCALE DRAWING	
TITLE: DRAINAGE SYSTEM INSTL			
SHEET 1 OF 3	PART NO	165576	REV
REF:	1 7/11/2008		

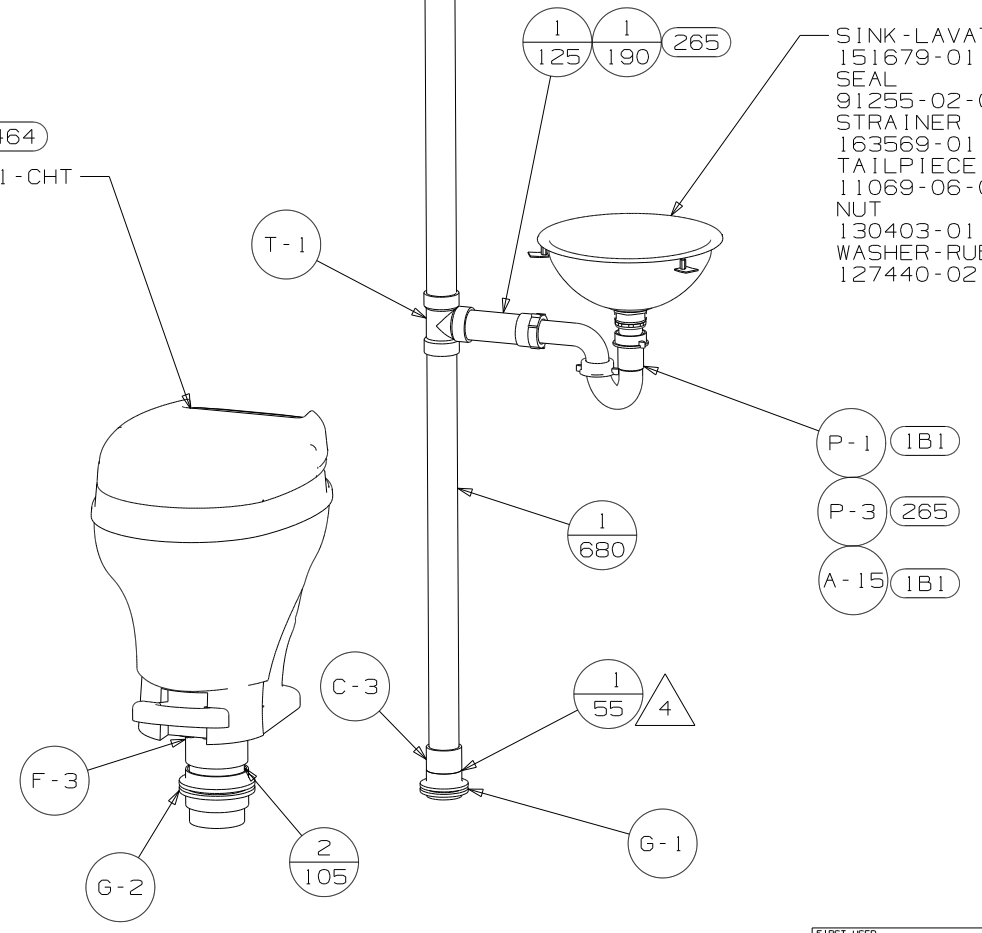
GALLEY SINK
 165118-01-CHT
 SEAL
 91255-02-000 (A/R)
 STRAINER
 92303-01-000
 TAILPIECE
 11069-06-000
 NUT
 130403-01-000
 WASHER-RUBBER
 127440-02-CHT



SHOWER INSTL
 147936-01-000
 STRAINER
 66440-01-000
 TAILPIECE
 11069-06-000
 NUT
 130403-01-000
 WASHER-RUBBER
 127440-02-CHT

TOILET
 464
 147421-01-CHT

SINK-LAVATORY
 151679-01-CHT
 SEAL
 91255-02-000 (A/R)
 STRAINER
 163569-01-000
 TAILPIECE
 11069-06-000
 NUT
 130403-01-000
 WASHER-RUBBER
 127440-02-CHT



VIEW A

VIEW B

FIRST USED	09 524J	
TITLE	DO NOT SCALE DRAWING	
	DRAINAGE SYSTEM INSTL	
SHEET 2	PART NO	REV
	165576	

INSULATION-DRAINAGE COMPT
120050-66-000

TANK-HOLDING, BLACK
152935-02-000

INSULATION-DRAINAGE COMPT
120050-53-000

VIEW C

TANK-HOLDING
152934-03-000

ANGLE-FORMED, DRAINAGE COMPT
153146-01-CHT
BOLT
C26-06-12U (2)

ULOCK-RISER
151437-02-CHT (2)
BOLT
C12-06-20U (2)
NUT
D39-06-00U (2)

BOLT
C26-06-12U (2)

STRAP-HLDG TANK
153147-02-CHT

STRAP-HLDG TANK MTG
153147-04-CHT

BOLT
C26-06-12U (2)
NUT
D39-06-00U (2)

STRAP-HLDG TANK
153148-06-CHT

(23T) PAD-HEATER
133972-04-000

STRAP-HLDG TANK MTG
153148-01-CHT

A-2

E-11

2
350

C-3

N-3

BRACKET-HOLDING TANK
151890-05-CHT
NUT
D39-08-00T (2)

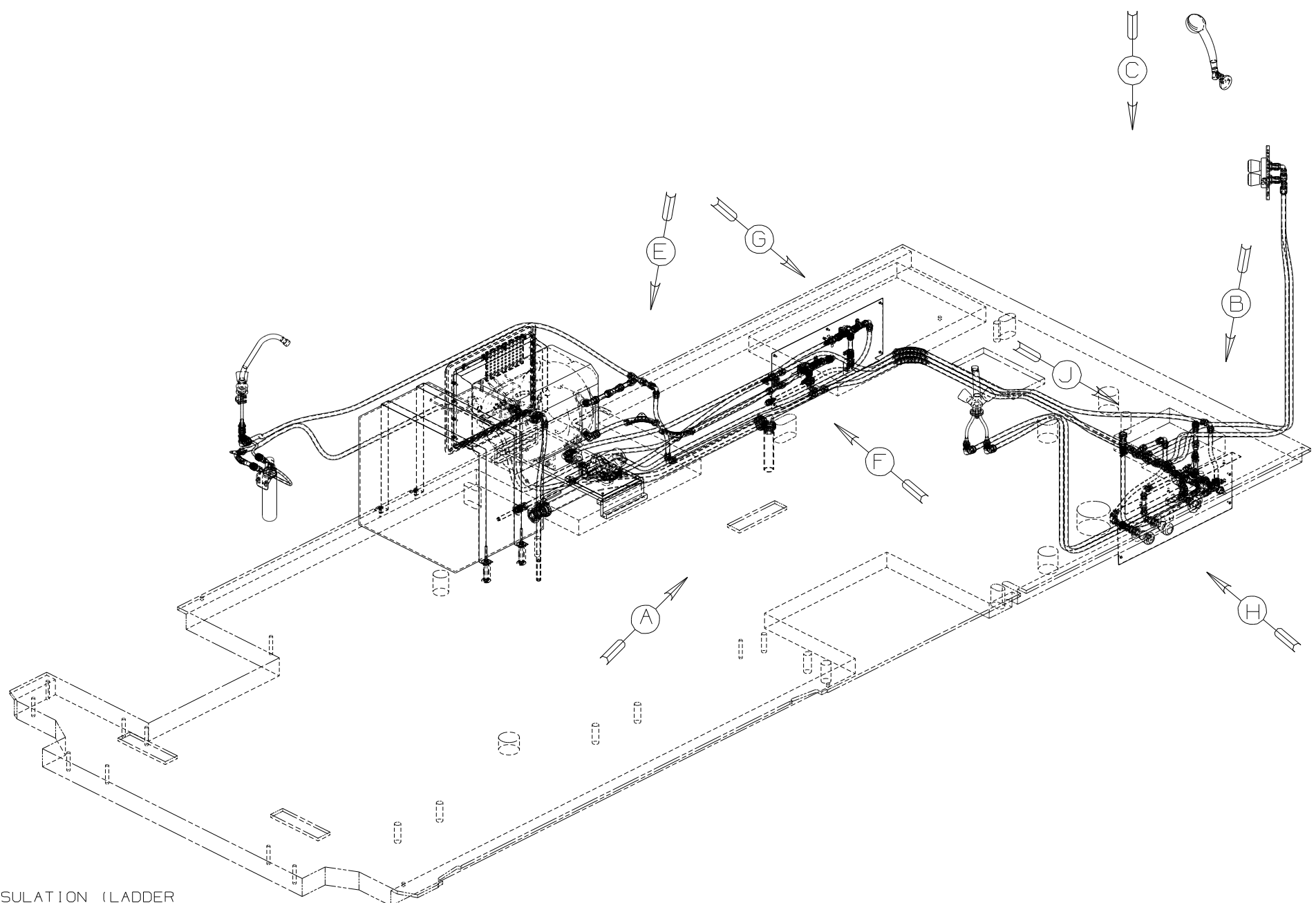
PAD-HEATER (23T)
133972-04-000

PAD-HEATER (23T)
133972-03-000

BRACKET-HOLDING TANK
151890-04-CHT

VIEW D

FIRST USED	09 524J		
TITLE	DO NOT SCALE DRAWING		
	DRAINAGE SYSTEM INSTL		
SHEET 3	PART NO	165576	REV



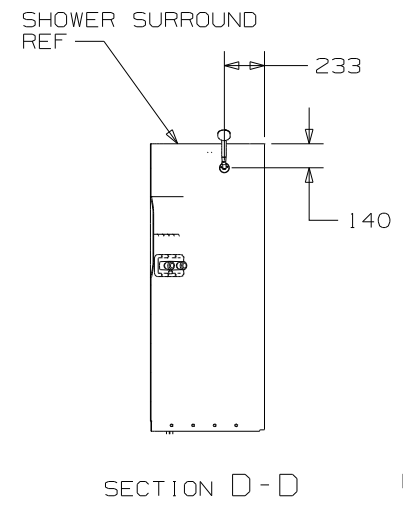
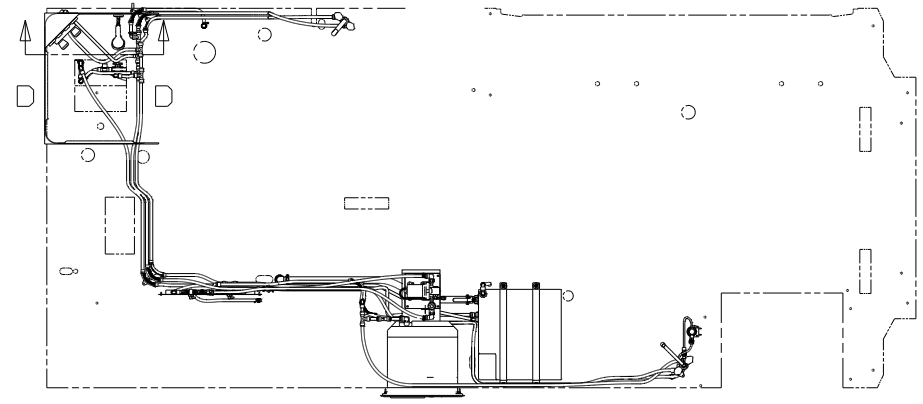
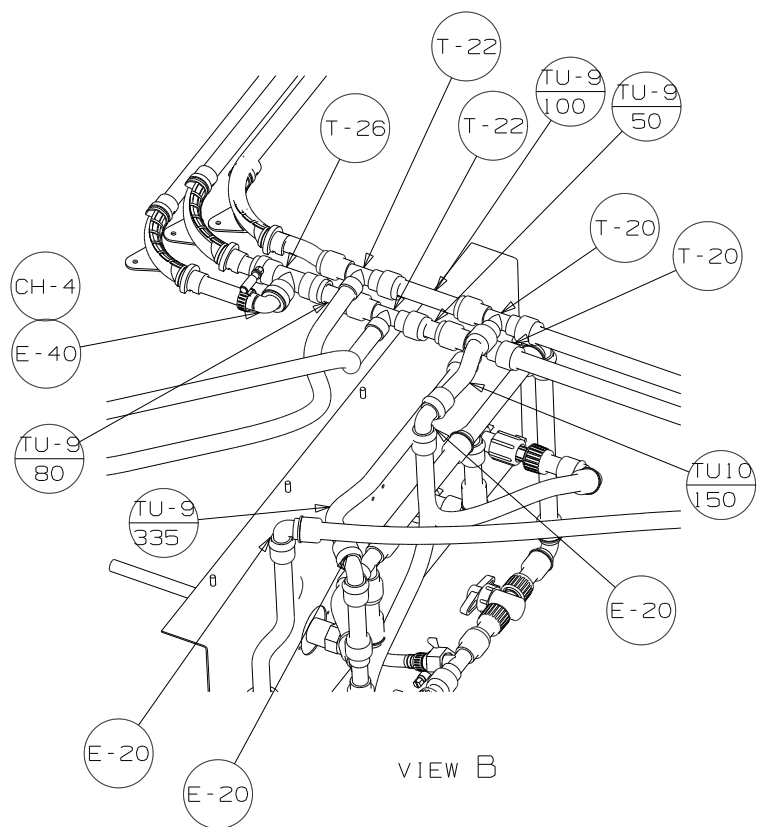
- (53E) WATER SYS WINTERIZATION PKG
- (53B) WTR HTR-6 GAL ELEC/LP/GAS
- (26B) WATER PURIFIER
- (501) WATER PURIFIER WITHOUT
- (53F) WATER HEATER-ELEC, IGNITION
- (64R) EXTERIOR WASH STATION
- (1J4) EXT WASH STATION-WITHOUT

- △ 8 ADD PIPE WRAP INSULATION (LADDER SCRAP) 110157-02-000.
 - △ 7 INSTALL CONNECTOR WITH TAPERED END AWAY FROM FAUCET.
 - △ 6 ADD TEFLON TAPE 10405-03-000.
 - △ 5 ADD TEFLON TAPE 10405-02-000.
 - △ 4 ADD TEFLON TAPE 10405-01-000.
3. ALL TUBING TO BE SECURED AT 1200 INTERVALS MAXIMUM WITH CLAMP 10495-01-000 AND SCREW G67-10-12B OR EQUIVALENT.
 2. TUBING TO BE INSTALLED WITH SUFFICIENT SLOPE TO PROVIDE DRAINAGE TO NEAREST VALVE.
 1. PLASTIC FITTINGS TO BE SEALED WITH SEALANT 84456-01-000.

NOTES:

WINNEBAGO		COPYRIGHT 2009 WINNEBAGO INDUSTRIES, INC.	
DFT	ORIG. DATE	ALL DIMENSIONS ARE IN MILLIMETERS	
CHKR		FIRST USED	
P.E.		09 524J	
M.E.		UNSPECIFIED TOLERANCES ARE:	
DSNR		MATERIAL:	
		WHOLE DIM (X)	: 3
		ONE-PLACE (X.X)	: 1.5
		TWO-PLACE (X.XX)	: 0.50
		ANGLE	: 1°
THIRD ANGLE PROJECTION		DO NOT SCALE DRAWING	
TITLE: WATER SYSTEM INSTL			
SHEET 1 OF 4	PART NO	165589	REV
REF	1 5/20/2009		

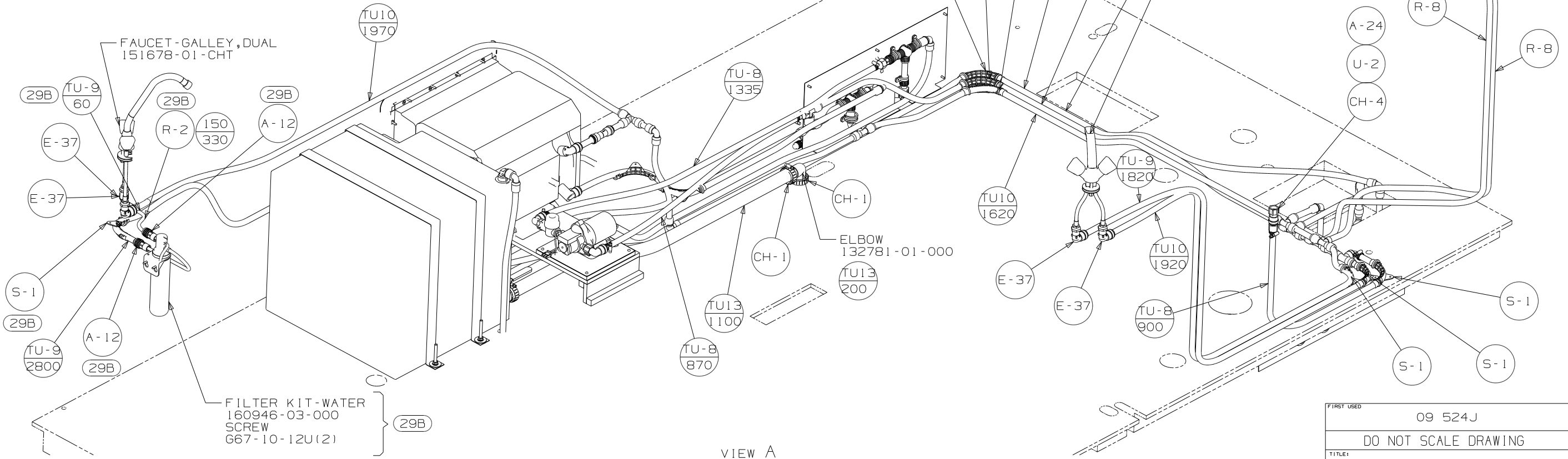
(X-X)
FOR
WATER
CALLOUTS
SEE DWG NO
116230-01-000



SHOWER SURROUND REF

SHOWER HEAD-W/HOSE & BRACKET 129390-04-CHT

PANEL-SHOWER FAUCET 167738-02-CHT
NUT-SPEED 40921-05-000 (4)



FAUCET-GALLEY, DUAL 151678-01-CHT

FILTER KIT-WATER 160946-03-000
SCREW G67-10-12U(2)

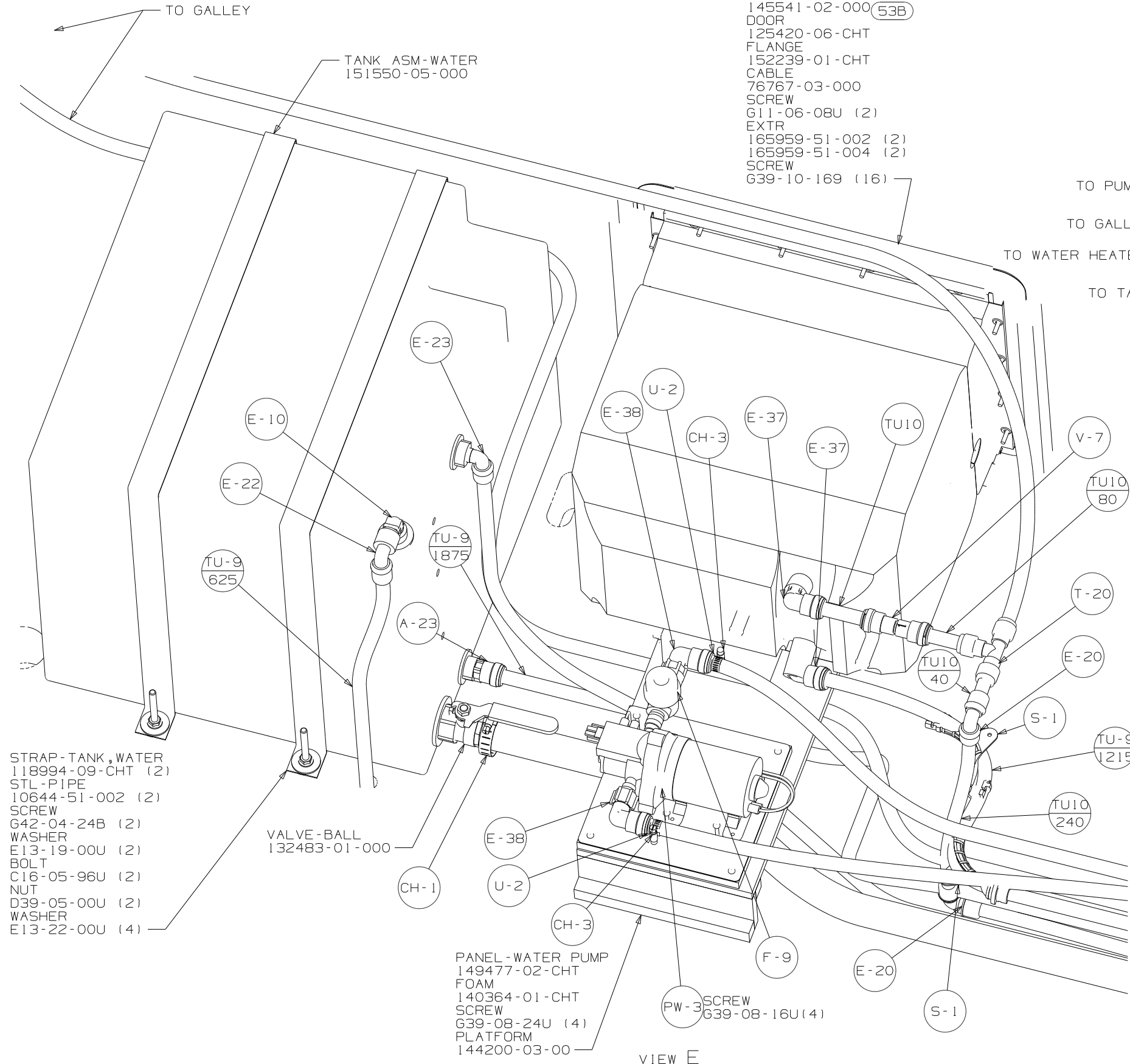
FAUCET-LAVATORY, DUAL 151680-01-CHT

ADD FOAM BEHIND FURNACE

ELBOW 132781-01-000

FIRST USED	09 524J
TITLE	DO NOT SCALE DRAWING
	WATER SYSTEM INSTL
SHEET 2	PART NO 165589 REV

- WATER HEATER 51391-03-000 (53F)
- 145541-02-000 (53B)
- DOOR 125420-06-CHT
- FLANGE 152239-01-CHT
- CABLE 76767-03-000
- SCREW 611-06-08U (2)
- EXTR 165959-51-002 (2)
- 165959-51-004 (2)
- SCREW 639-10-169 (16)

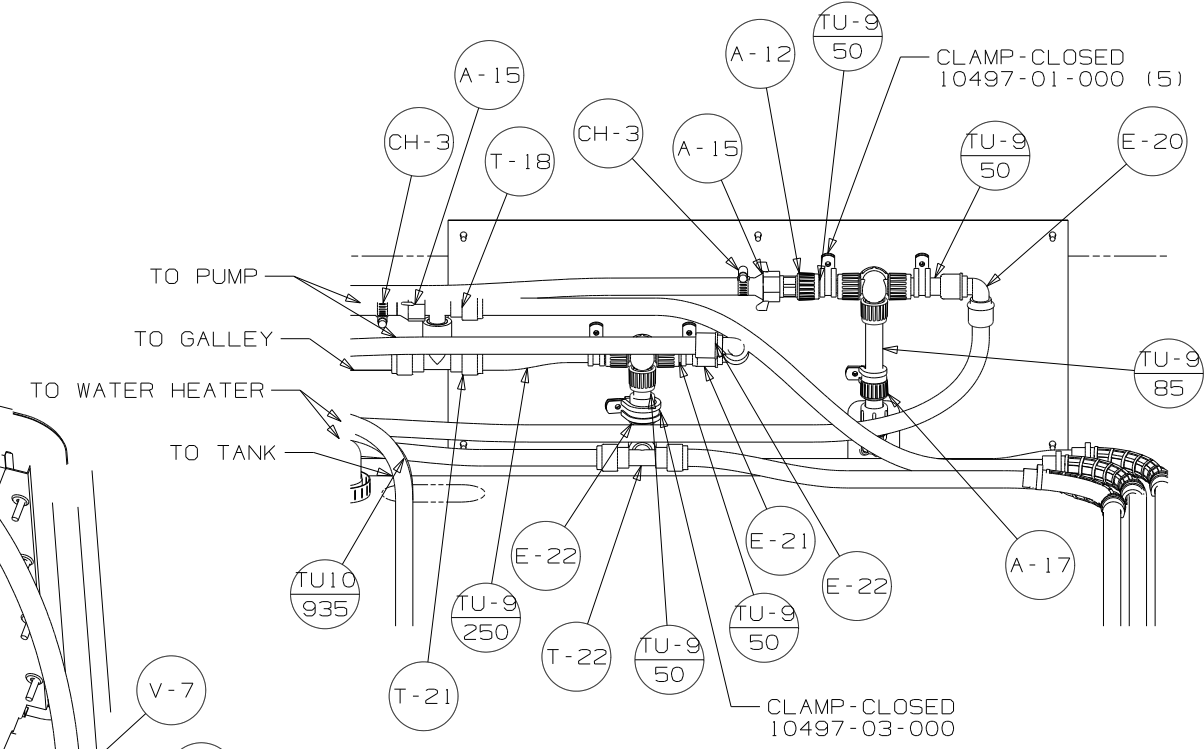


- STRAP-TANK, WATER 118994-09-CHT (2)
- STL-PIPE 10644-51-002 (2)
- SCREW G42-04-24B (2)
- WASHER E13-19-00U (2)
- BOLT C16-05-96U (2)
- NUT D39-05-00U (2)
- WASHER E13-22-00U (4)

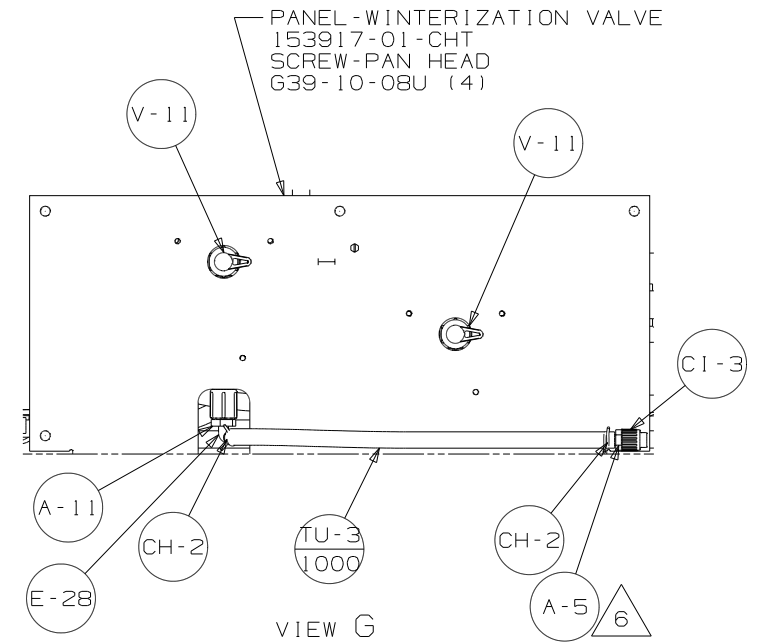
VALVE-BALL 132483-01-000

- PANEL-WATER PUMP 149477-02-CHT
- FOAM 140364-01-CHT
- SCREW 639-08-24U (4)
- PLATFORM 144200-03-00
- SCREW 639-08-16U (4)

VIEW E

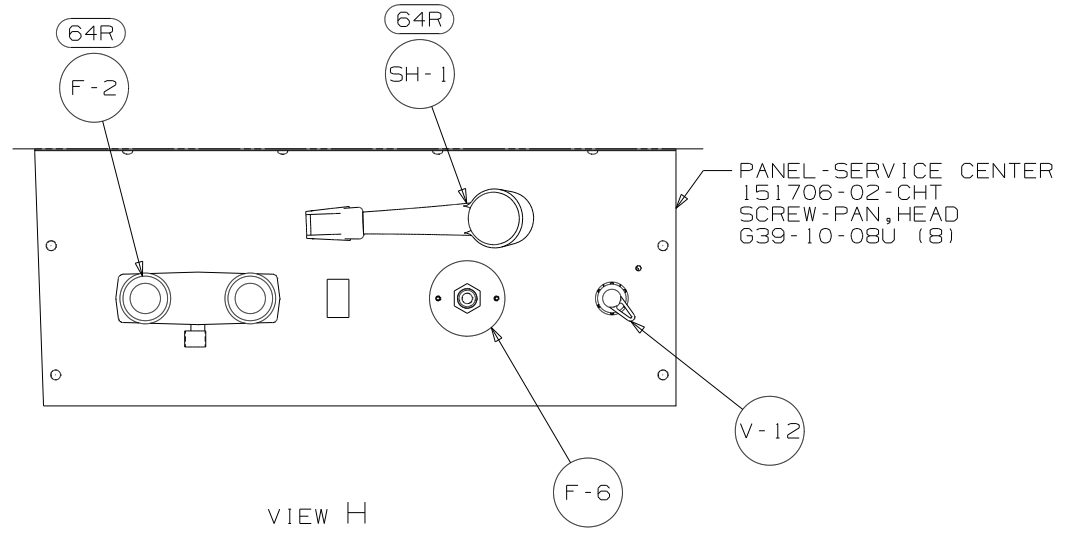


VIEW F

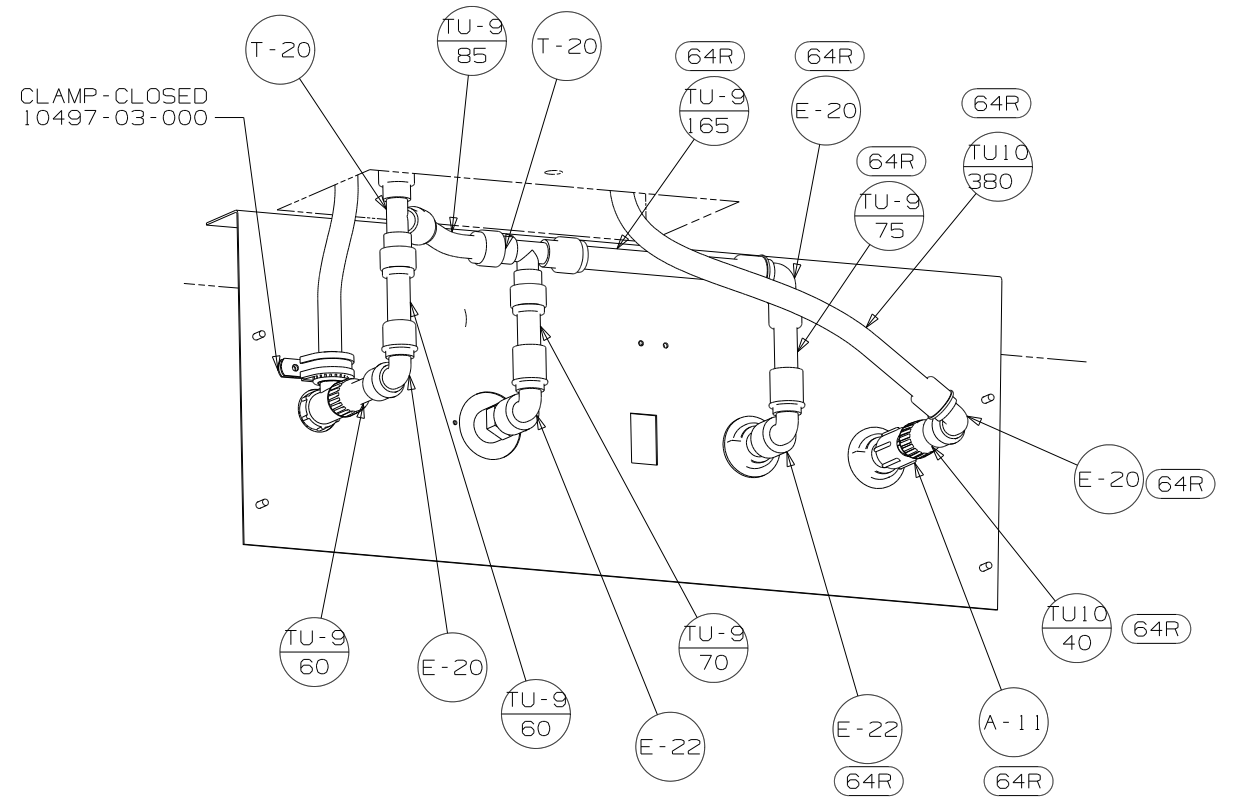


VIEW G

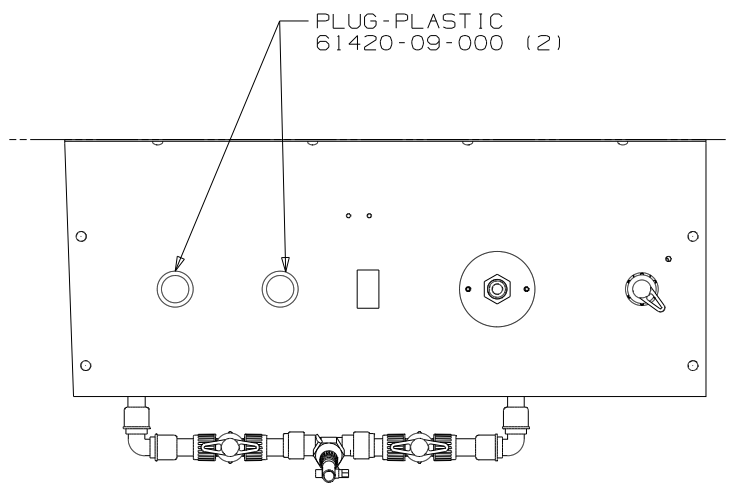
FIRST USED	09 524J	
TITLE	DO NOT SCALE DRAWING	
TITLE	WATER SYSTEM INSTL	
SHEET 3	PART NO	165589
REV		



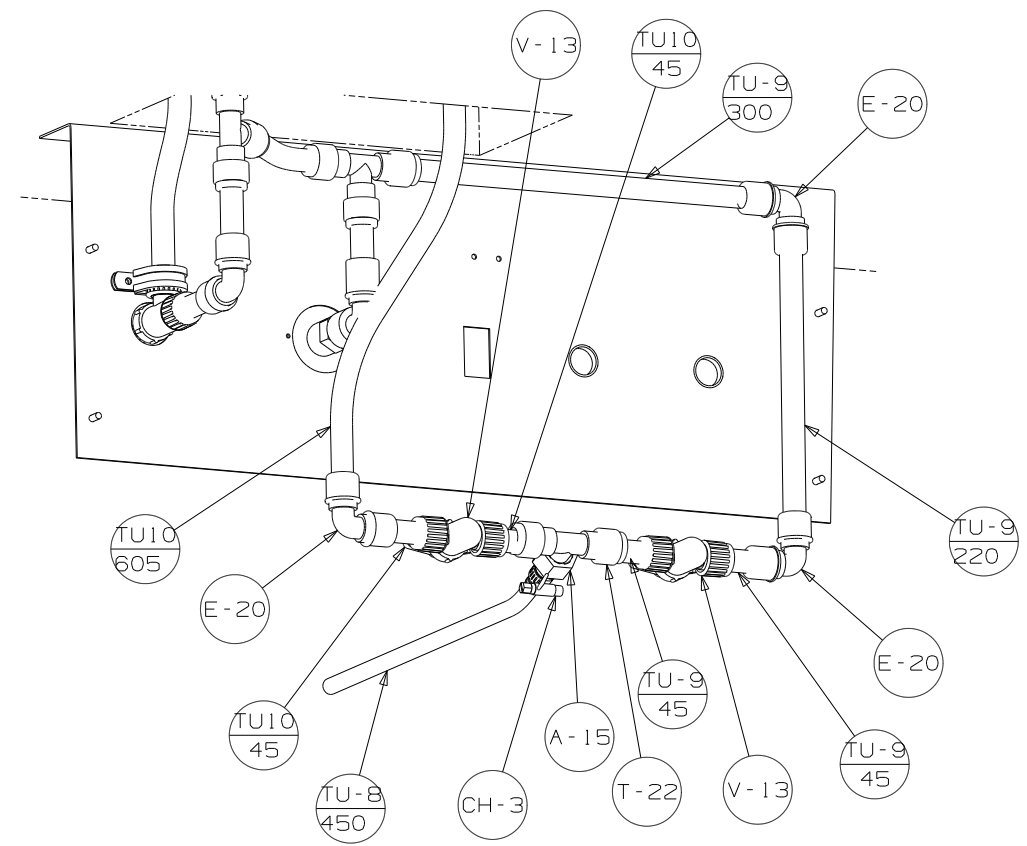
VIEW H



VIEW J



VIEW H
1J4



VIEW J
1J4

FIRST USED	09 524J
DO NOT SCALE DRAWING	
TITLE:	WATER SYSTEM INSTL
SHEET 4	PART NO 165589 REV
1 5/20/2009	