

- (B1) CODES/STANADARDS USA
- (265) CODES/STANDARDS-CSA/CMVSS
- (1JD) DRAINGE SYSTEM-HEATED-W/O
- (23T) DRAINAGE SYSTEM-HEATED

- NOTES:
9. ADD COVER TO FLOOR BEFORE FLOOR IS INSTALLED.
 8. SECURE DRAINAGE PIPES TO CABINET USING WIRE TIE 108046-02-000, AND SCREW G67-10-12B AT INTERVALS OF NOT MORE THAN 4 FEET APART.
 7. SECURE VENT PIPE TO FLOOR WITH CLAMP 62401-02-000 (2),SCREW G67-10-12B (2), BRACKET 136878-01-CHT (2).
 6. VENT PIPE MUST PROJECT 51 MIN AND 64 MAX ABOVE ROOF FOR PROPER FIT AND FUNCTION.
 5. SEAL AROUND SHOWER WITH SILICONE.
 4. DRILL AND INSTALL AT ASSEMBLY.
 3. ALL PIPE AND FITTINGS TO BE ASSEMBLED WITH SOLVENT 4020-01-000 (USA), 4020-02-000 (CAN)
 2. SLOPE OF TRAP ARM MUST BE 6 PER 305 mm.
 1. SLOPE OF HORIZONTAL PIPING TO BE MINIMUM OF 3 PER 305 mm.

WINNEBAGO		COPYRIGHT 2008 WINNEBAGO INDUSTRIES, INC.	
DFTR	ORIG. DATE	ALL DIMENSIONS ARE IN MILLIMETERS	
CHKR		FIRST USED	
P.E.		09 524CL	
M.E.		UNSPECIFIED TOLERANCES ARE:	
DSNR		MATERIAL:	
		WHOLE DIM (X)	: 3
		ONE-PLACE (X.X)	: 1.5
		TWO-PLACE (X.XX)	: 0.50
		ANGLE	: 1°
THIRD ANGLE PROJECTION		DO NOT SCALE DRAWING	
TITLE: DRAINAGE SYSTEM INSTL			
SHEET 1 OF 4	PART NO	165866	REV
REF:	1 6/20/2008		

(X-X)
FOR
DRAINAGE
CALLOUTS
SEE DWG NO
116229-01-000

SINK-LAVATORY
 151679-01-CHT
 SEAL
 91255-02-000 (A/R)
 STRAINER
 163569-01-000
 TAILPIECE
 11069-05-000
 NUT
 130403-01-000
 WASHER-RUBBER
 127440-02-CHT

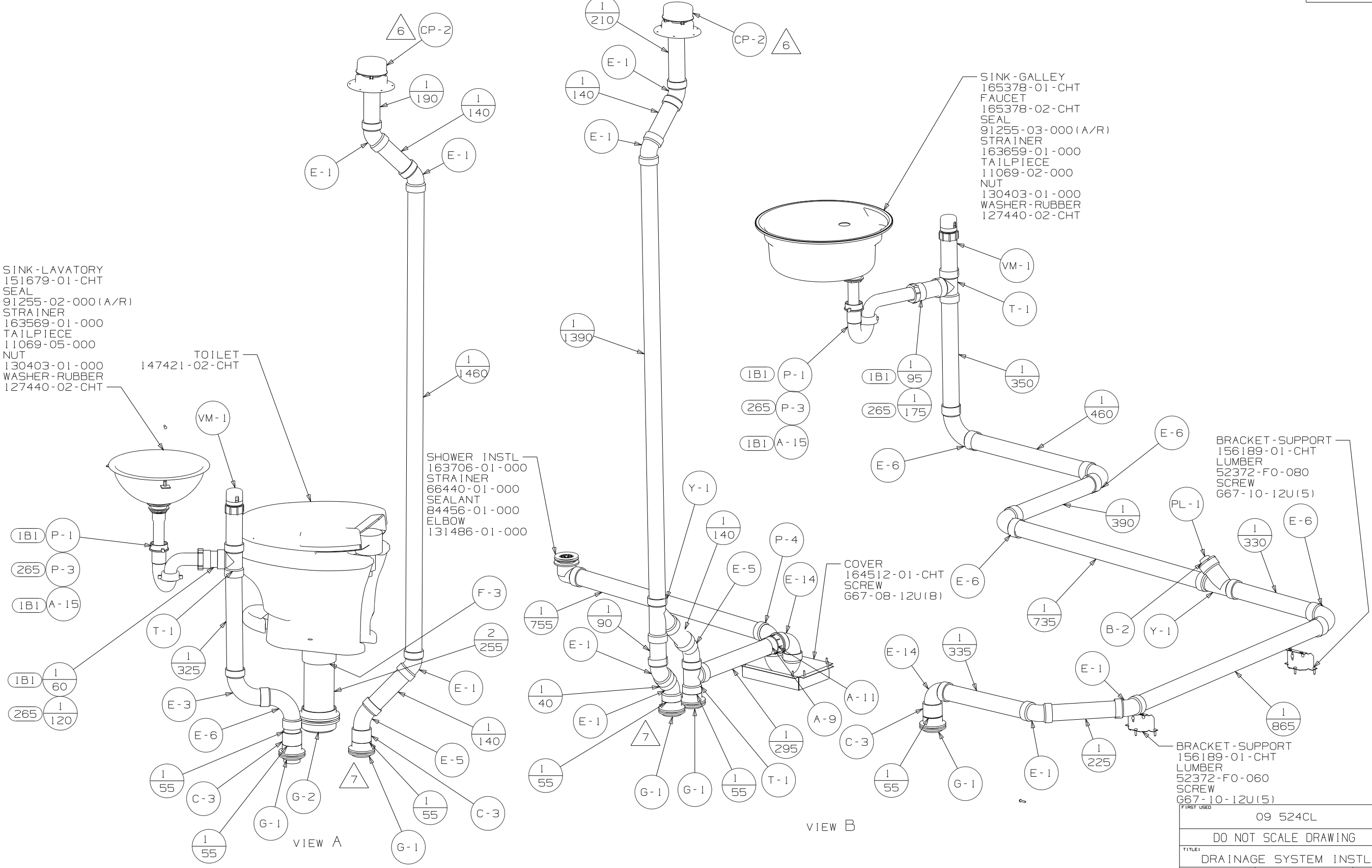
TOILET
 147421-02-CHT

SHOWER INSTL
 163706-01-000
 STRAINER
 66440-01-000
 SEALANT
 84456-01-000
 ELBOW
 131486-01-000

SINK-GALLEY
 165378-01-CHT
 FAUCET
 165378-02-CHT
 SEAL
 91255-03-000 (A/R)
 STRAINER
 163659-01-000
 TAILPIECE
 11069-02-000
 NUT
 130403-01-000
 WASHER-RUBBER
 127440-02-CHT

BRACKET-SUPPORT
 156189-01-CHT
 LUMBER
 52372-F0-080
 SCREW
 G67-10-12U(5)

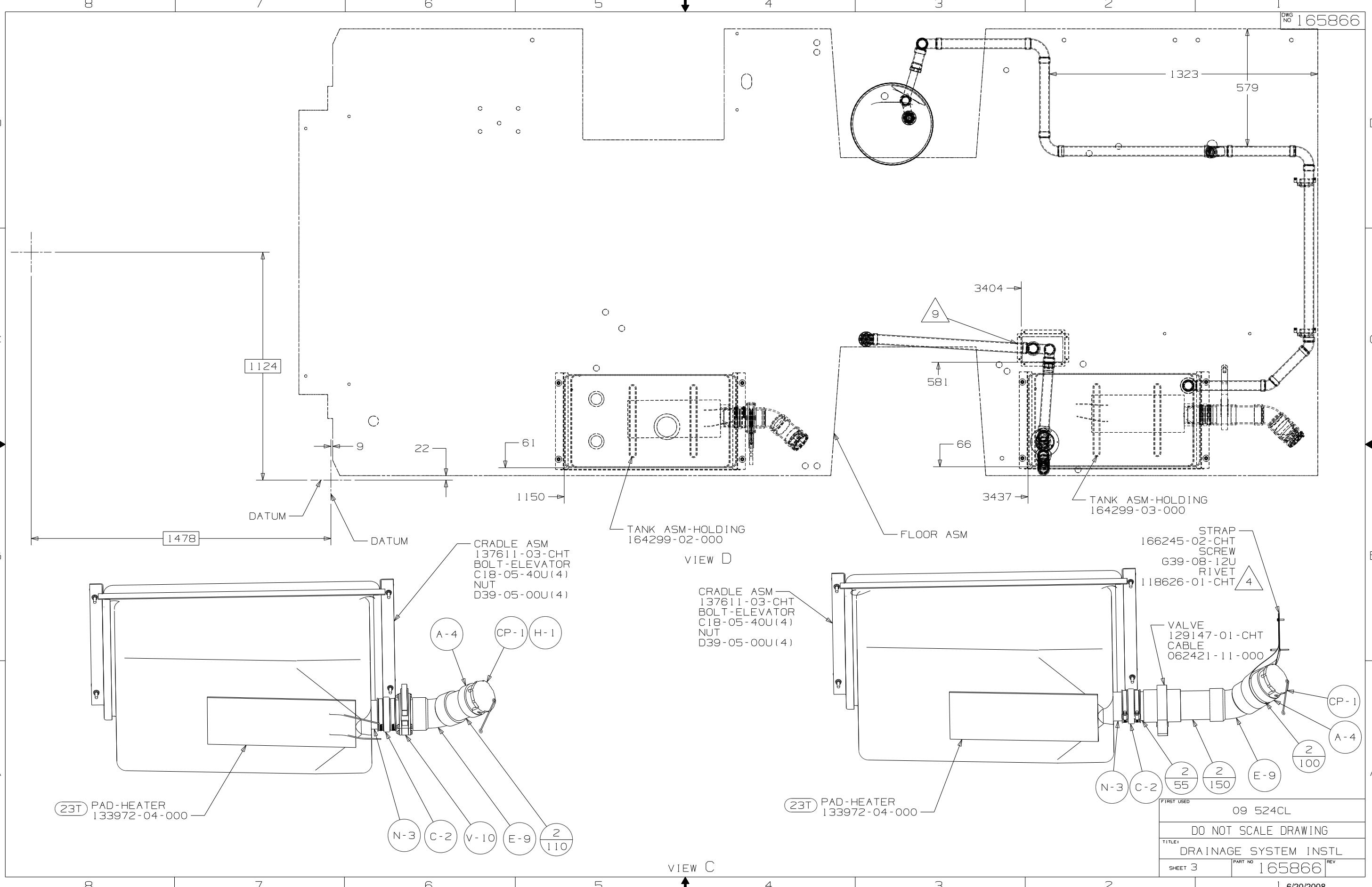
BRACKET-SUPPORT
 156189-01-CHT
 LUMBER
 52372-F0-060
 SCREW
 G67-10-12U(5)



VIEW A

VIEW B

FIRST USED	09 524CL	
TITLE:	DO NOT SCALE DRAWING	
	DRAINAGE SYSTEM INSTL	
SHEET 2	PART NO	165866
	REV	
1 6/20/2008		



1124

1478

9

22

61

1150

DATUM

DATUM

TANK ASM-HOLDING
164299-02-000

VIEW D

CRADLE ASM
137611-03-CHT
BOLT-ELEVATOR
C18-05-40U(4)
NUT
D39-05-00U(4)

A-4

CP-1

H-1

23T PAD-HEATER
133972-04-000

N-3

C-2

V-10

E-9

2
110

VIEW C

23T PAD-HEATER
133972-04-000

N-3

C-2

2
55

2
150

E-9

2
100

CP-1

A-4

VALVE
129147-01-CHT
CABLE
062421-11-000

STRAP
166245-02-CHT
SCREW
G39-08-12U
RIVET
118626-01-CHT

4

TANK ASM-HOLDING
164299-03-000

FLOOR ASM

3404

9

581

66

3437

1323

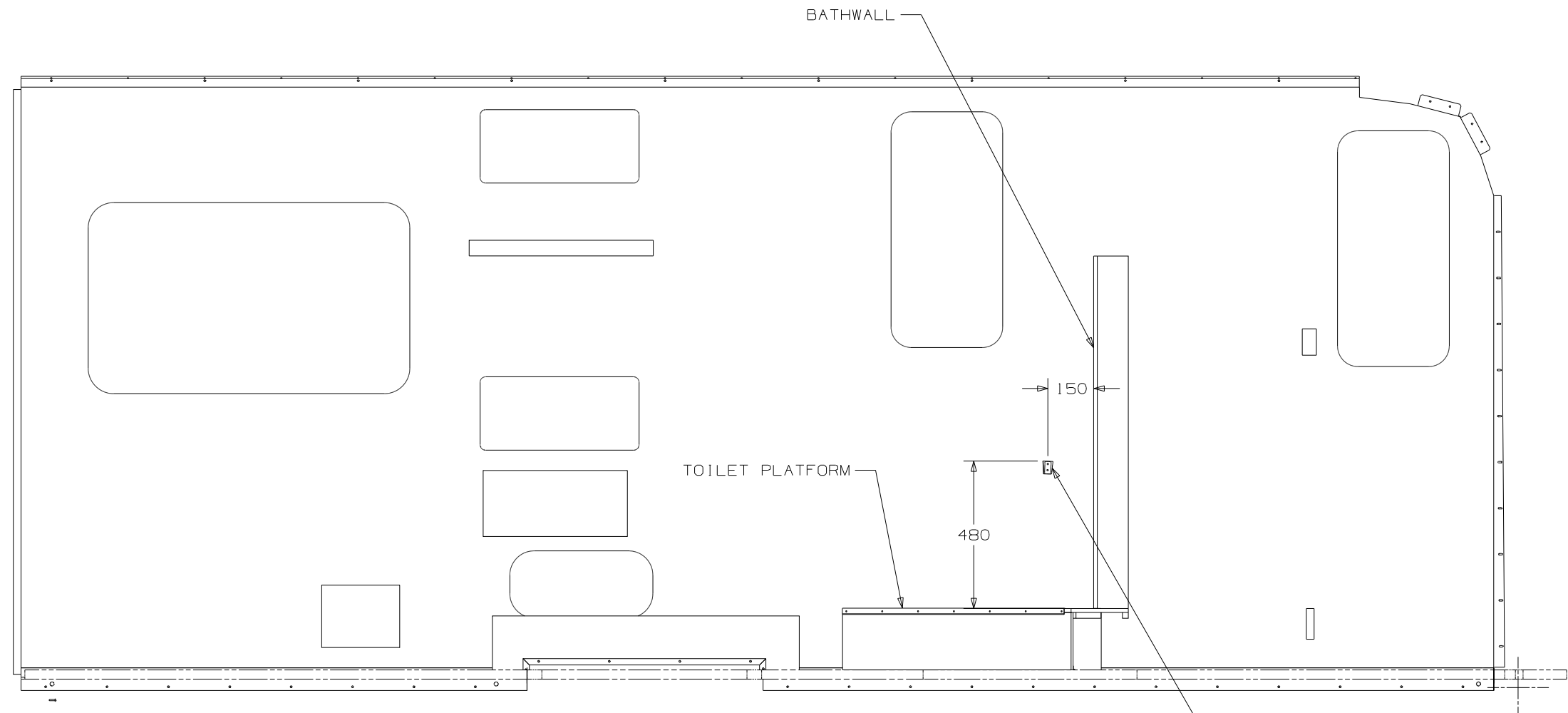
579

FIRST USED 09 524CL

DO NOT SCALE DRAWING

TITLE: DRAINAGE SYSTEM INSTL

SHEET 3 PART NO 165866 REV

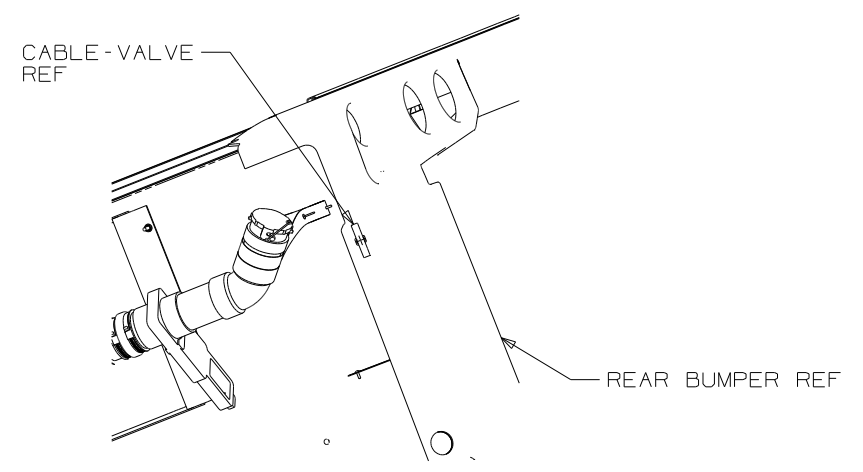


TOILET PLATFORM

BATHWALL

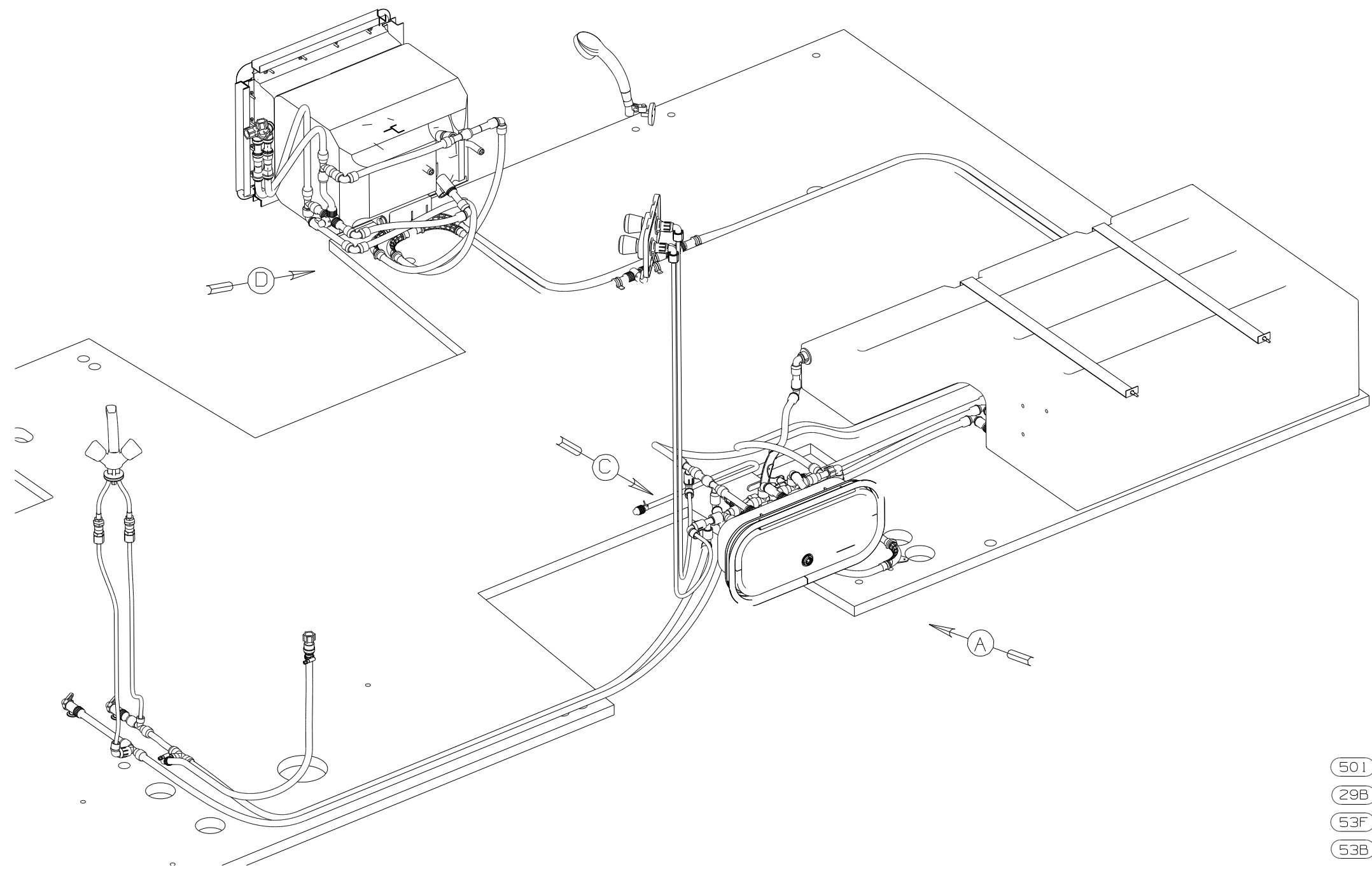
TOILET SPRAY MOUNTING BRACKET

VIEW E



VIEW F

FIRST USED	09 524CL	
TITLE	DO NOT SCALE DRAWING	
	DRAINAGE SYSTEM INSTL	
SHEET 4	PART NO 165866	REV

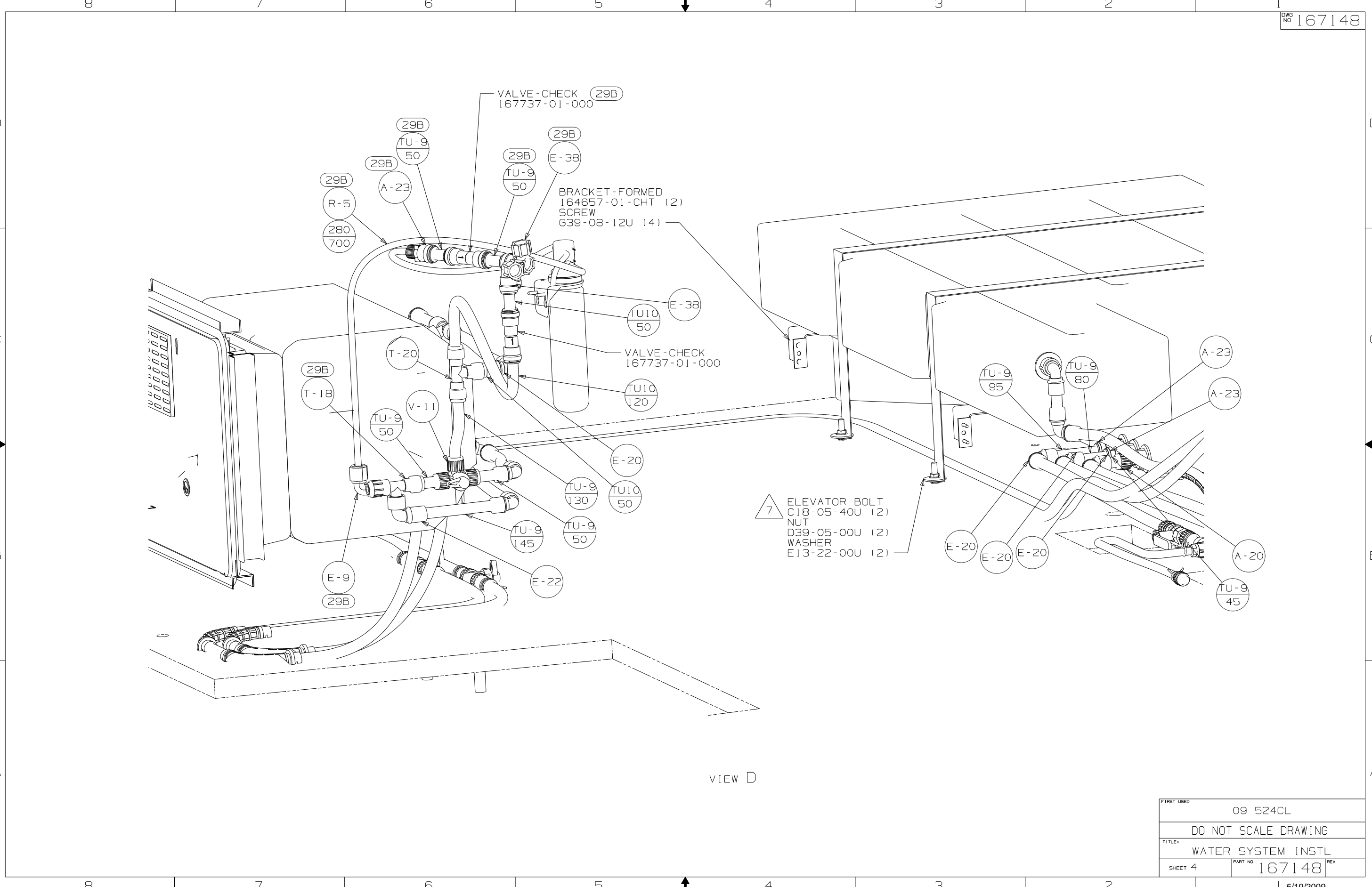


- (501) WATER PURIFIER WITHOUT
- (29B) WATER PURIFIER
- (53F) WATER HEATER-ELEC IGNITION
- (53B) WTR HTR-6 GAL ELEC/LP GAS

- NOTES:
- 7 BOLTS TO BE INSTALLED IN FLOOR ASM PRIOR TO THE FLOOR BEING INSTALLED ON FRAME ASM.
 - 6 ADD TEFLON TAPE 10405-03-000.
 - 5 ADD TEFLON TAPE 10405-02-000.
 - 4 ADD TEFLON TAPE 10405-01-000.
3. ALL TUBING TO BE SECURED AT 1200 INTERVALS MAXIMUM WITH CLAMP 10495-01-000 AND SCREW G67-10-12B OR EQUIVALENT.
 2. TUBING TO BE INSTALLED WITH SUFFICIENT SLOPE TO PROVIDE DRAINAGE TO NEAREST VALVE.
 1. PLASTIC FITTINGS TO BE SEALED WITH SEALANT 84456-01-000.

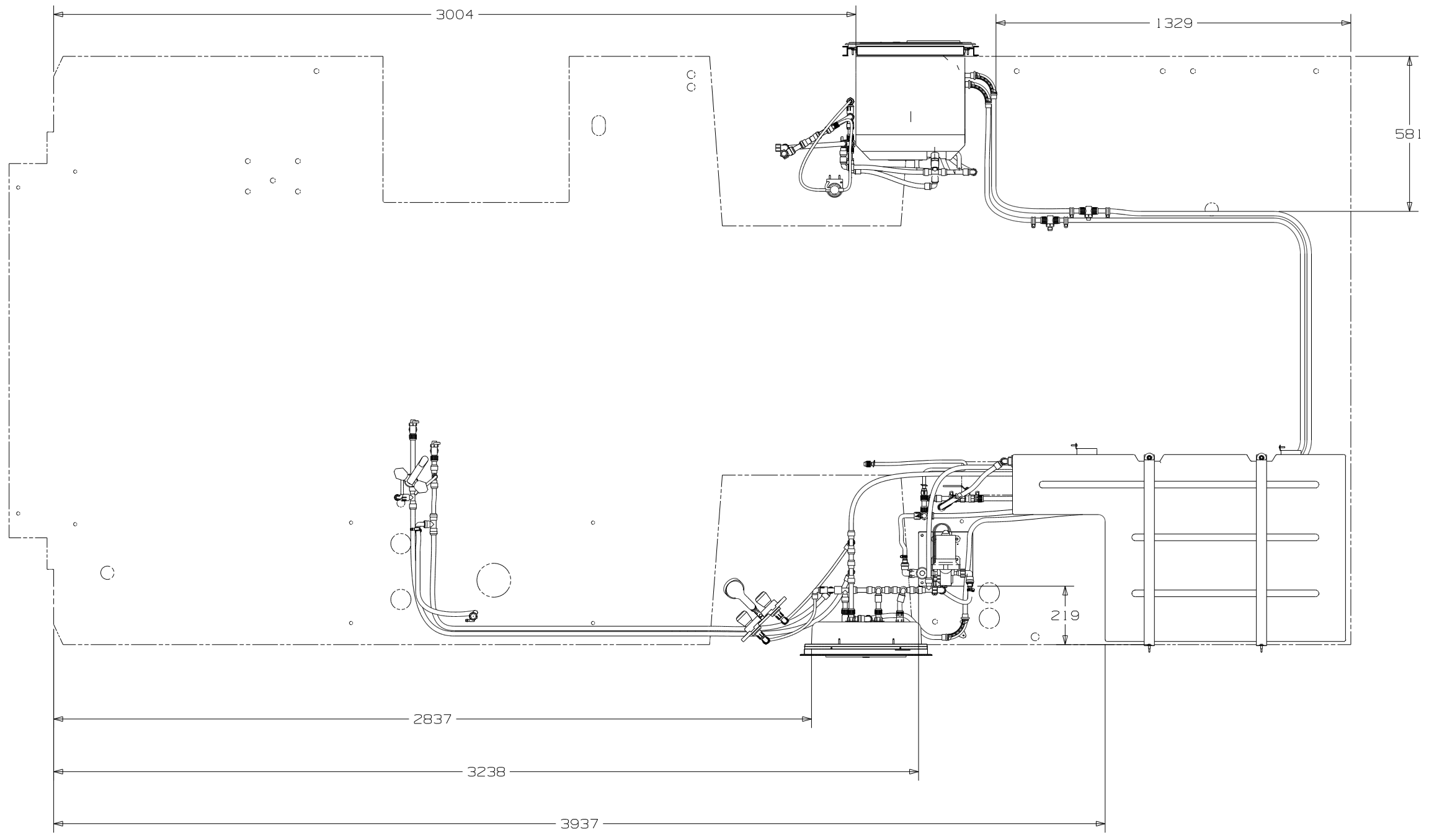
		COPYRIGHT 2009 WINNEBAGO INDUSTRIES, INC.
DFT	ORIG. DATE	
CHKR	ALL DIMENSIONS ARE IN MILLIMETERS	
P.E.		
M.E.	FIRST USED	
DSNR	09 524CL	
UNSPECIFIED TOLERANCES ARE:		MATERIAL:
WHOLE DIM (X)	: 3	
ONE-PLACE (X.X)	: 1.5	
TWO-PLACE (X.XX)	: 0.50	
ANGLE	: 1°	
THIRD ANGLE PROJECTION		
DO NOT SCALE DRAWING		
TITLE: WATER SYSTEM INSTL		
SHEET 1 OF 5	PART NO	REV
	167148	
REF:	1 5/19/2009	

(X-X)
FOR WATER CALLOUTS SEE DWG NO 116230-01-000



VIEW D

FIRST USED	09 524CL		
TITLE:	DO NOT SCALE DRAWING		
	WATER SYSTEM INSTL		
SHEET 4	PART NO	167148	REV



FIRST USED	09 524CL
TITLE	DO NOT SCALE DRAWING
SHEET 5	PART NO 167148 REV