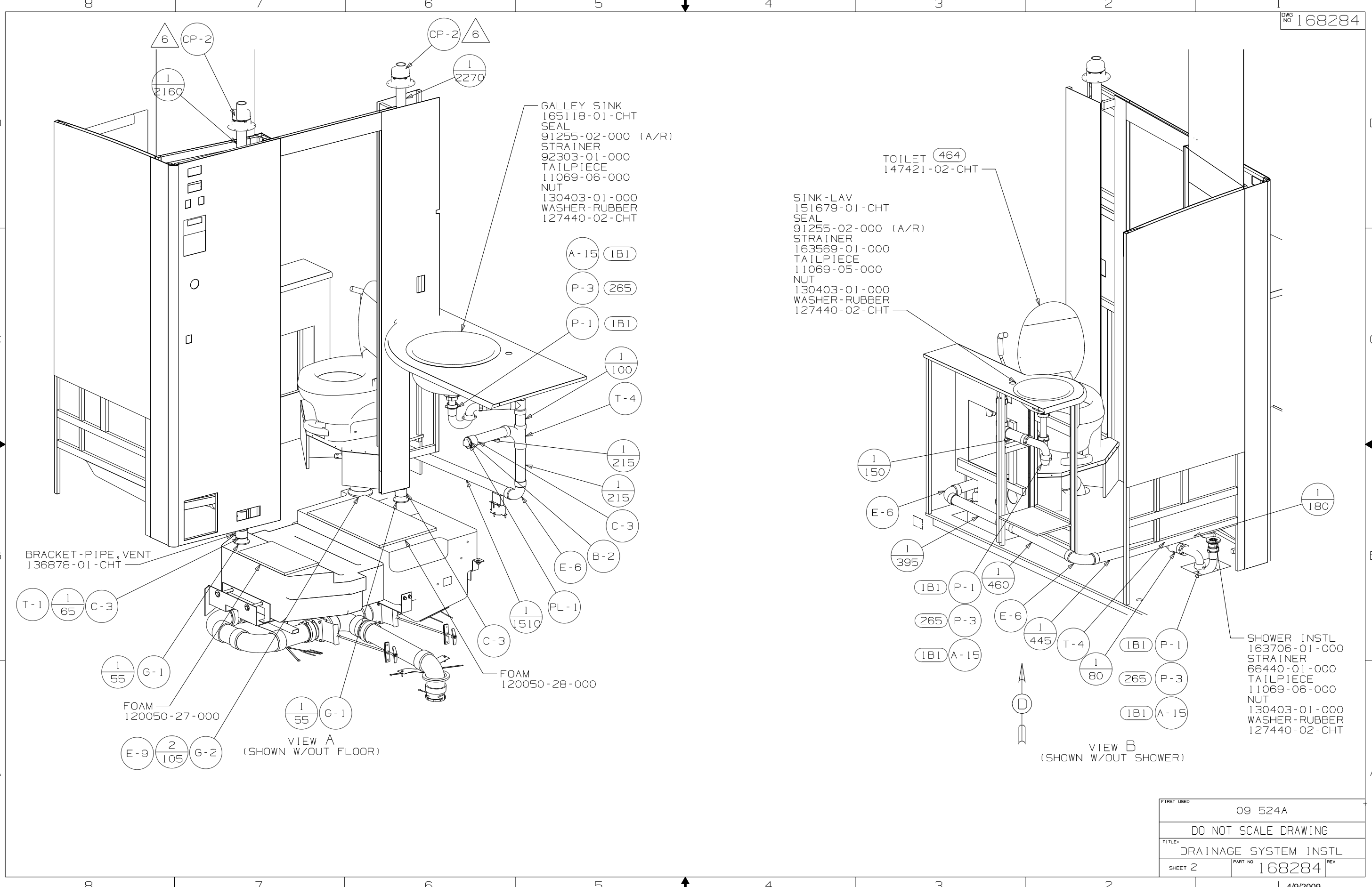


- (1B1) CODES/STANDARDS-USA
- (265) CODES/STANDARDS-CSA/CMVSS
- (464) TOILET
- (1JD) DRAINAGE SYSTEM-HEATED-W/O
- (23T) DRAINAGE SYSTEM-HEATED

- NOTES:
1. SLOPE OF HORIZONTAL PIPING TO BE MINIMUM OF 3 PER 305 mm.
 2. SLOPE OF TRAP ARM MUST BE 6 PER 305 mm.
 3. ALL PIPE AND FITTINGS TO BE ASSEMBLED WITH SOLVENT 4020-01-000 (USA), 4020-02-000 (CAN)
 4. SECURE DRAINAGE PIPES TO CABINET USING WIRE TIE 108046-02-000, AND SCREW G67-10-12B AT INTERVALS OF NOT MORE THAN 4 FEET APART.
 5. SEAL AROUND SHOWER WITH SILICONE.
 6. VENT PIPE MUST PROJECT 51 MIN AND 64 MAX ABOVE ROOF FOR PROPER FIT AND FUNCTION. ADD S-1 (116666-01-CHT SEAL-VENT PIPE) AROUND PIPE ON ROOF BEFORE VENT CAP IS INSTALLED.
 7. SECURE VENT PIPE TO FLOOR WITH CLAMP 62401-02-000 (2), SCREW G67-10-12B (2), BRACKET 136878-01-CHT (2).

FOR
DRAINAGE
CALLOUTS
SEE DWG NO
116229-01-000

WINNEBAGO		COPYRIGHT 2009 WINNEBAGO INDUSTRIES, INC.	
DFT	ORIG. DATE	ALL DIMENSIONS ARE IN MILLIMETERS	
CHKR		FIRST USED	
P.E.		09 524A	
M.E.		UNSPECIFIED TOLERANCES ARE:	
DSNR		MATERIAL:	
		WHOLE DIM (X)	: 3
		ONE-PLACE (X.X)	: 1.5
		TWO-PLACE (X.XX)	: 0.50
		ANGLE	: 1°
THIRD ANGLE PROJECTION		DO NOT SCALE DRAWING	
TITLE: DRAINAGE SYSTEM INSTL			
SHEET 1 OF 4	PART NO	168284	REV
REF:	1 4/9/2009		



GALLEY SINK
 165118-01-CHT
 SEAL
 91255-02-000 (A/R)
 STRAINER
 92303-01-000
 TAILPIECE
 11069-06-000
 NUT
 130403-01-000
 WASHER-RUBBER
 127440-02-CHT

SINK-LAV
 151679-01-CHT
 SEAL
 91255-02-000 (A/R)
 STRAINER
 163569-01-000
 TAILPIECE
 11069-05-000
 NUT
 130403-01-000
 WASHER-RUBBER
 127440-02-CHT

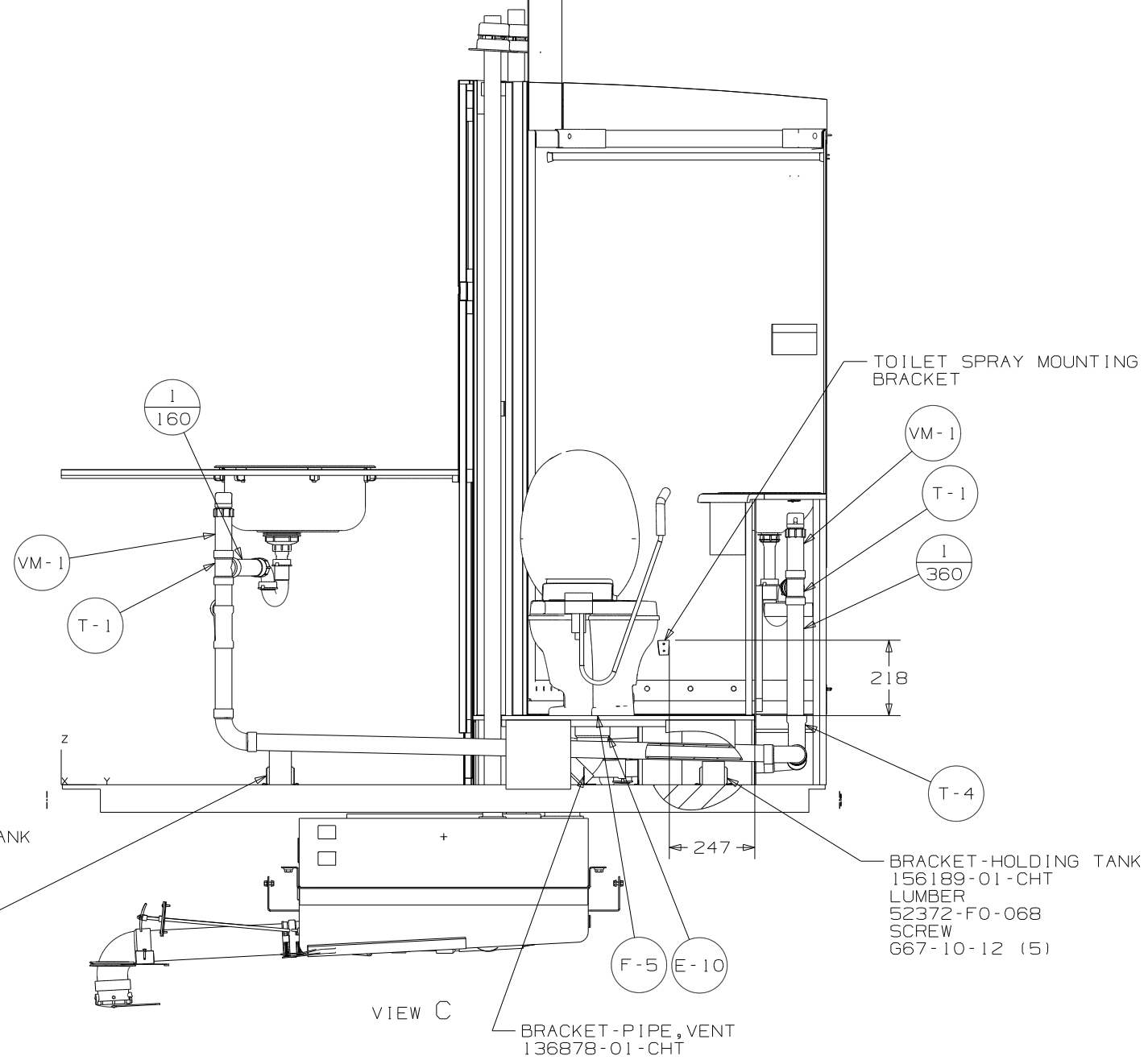
TOILET 464
 147421-02-CHT

SHOWER INSTL
 163706-01-000
 STRAINER
 66440-01-000
 TAILPIECE
 11069-06-000
 NUT
 130403-01-000
 WASHER-RUBBER
 127440-02-CHT

VIEW A
 (SHOWN W/OUT FLOOR)

VIEW B
 (SHOWN W/OUT SHOWER)

FIRST USED	09 524A
DO NOT SCALE DRAWING	
TITLE	DRAINAGE SYSTEM INSTL
SHEET 2	PART NO 168284 REV



FIRST USED	09 524A	
TITLE	DO NOT SCALE DRAWING	
	DRAINAGE SYSTEM INSTL	
SHEET 3	PART NO 168284	REV

8

7

6

5

4

3

2

1

STRAP-W/HOLES, 22GA
166245-03-CHT
RIVET
118626-01-CHT (2)
TIE-WIRE
008343-04-000

HANDLE-EXTENSION, W/ADAPTER
62419-11-000 (2)
62419-05-000 (2)
62419-06-000 (2)

SEAL-RUBBER, SPONGE CLOSED
098408-01-000 (100mm) (2)
SCREW
G39-08-12U (4)

TIE-WIRE
008343-04-000 (2)

PAD-HEATER
133972-03-000

2
90

2
435

E

C-2

T-5

BRACKET-HOLDING TANK
151890-06-CHT
BOLT
C26-05-12U (2)
NUT
D39-08-00U (2)

PAD-HEATER
133972-04-000 (2)

TANK-HOLDING, BLACK
151545-04-000

BRACKET-HOLDING TANK
151888-03-CHT
BOLT
C26-05-12U (4)
NUT
D39-05-00U (4)

TANK-HOLDING, 29 GAL.
168195-02-000

BRACKET ASM
151887-04-CHT
BOLT
C12-08-64U (2)
WASHER
E13-22-00U (2)

2
170

E-11

C-2

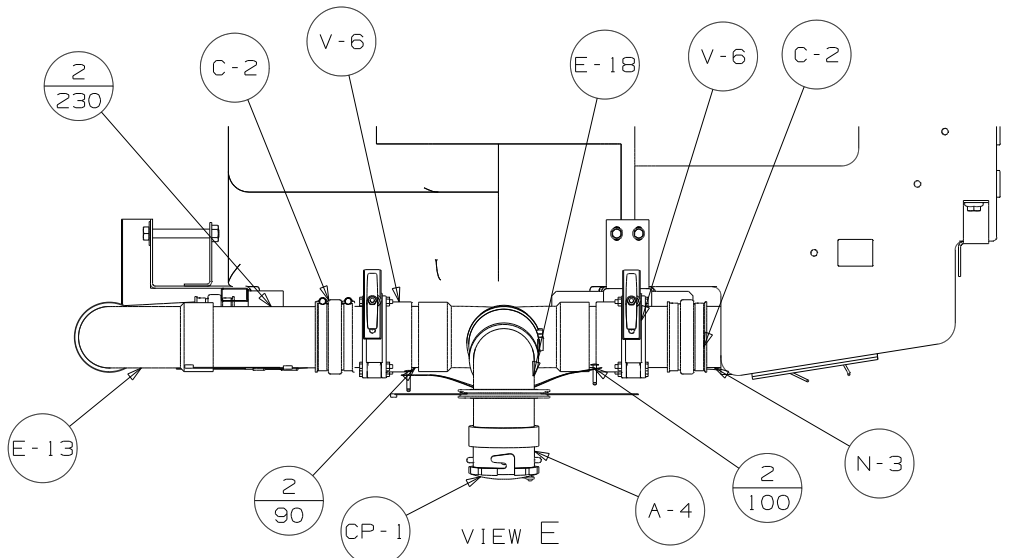
N-3

COACH
FRONT AXLE

1102

1298

VIEW D



VIEW E

2
230

C-2

V-6

E-18

V-6

C-2

E-13

2
90

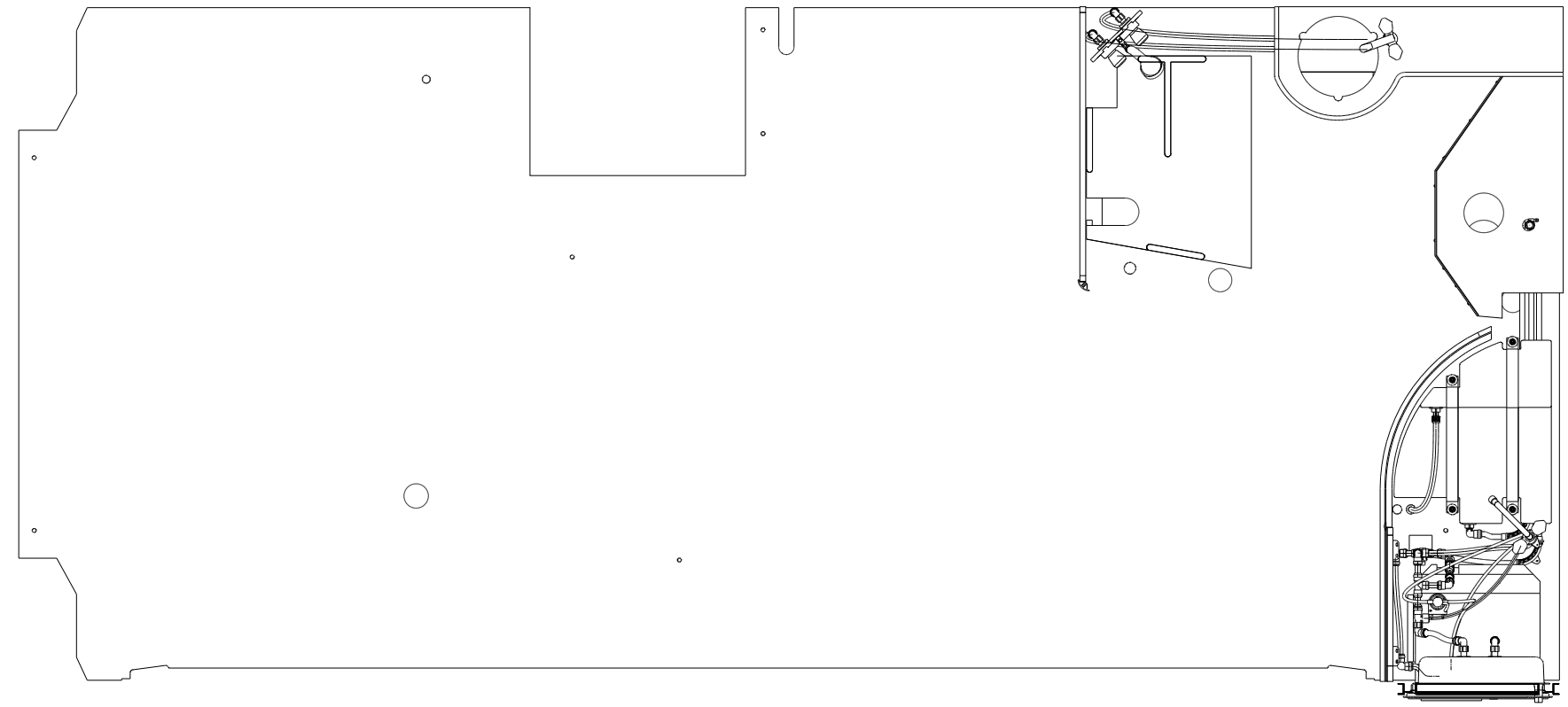
CP-1

A-4

2
100

N-3

FIRST USED	09 524A
TITLE	DO NOT SCALE DRAWING DRAINAGE SYSTEM INSTL
SHEET 4	PART NO 168284 REV



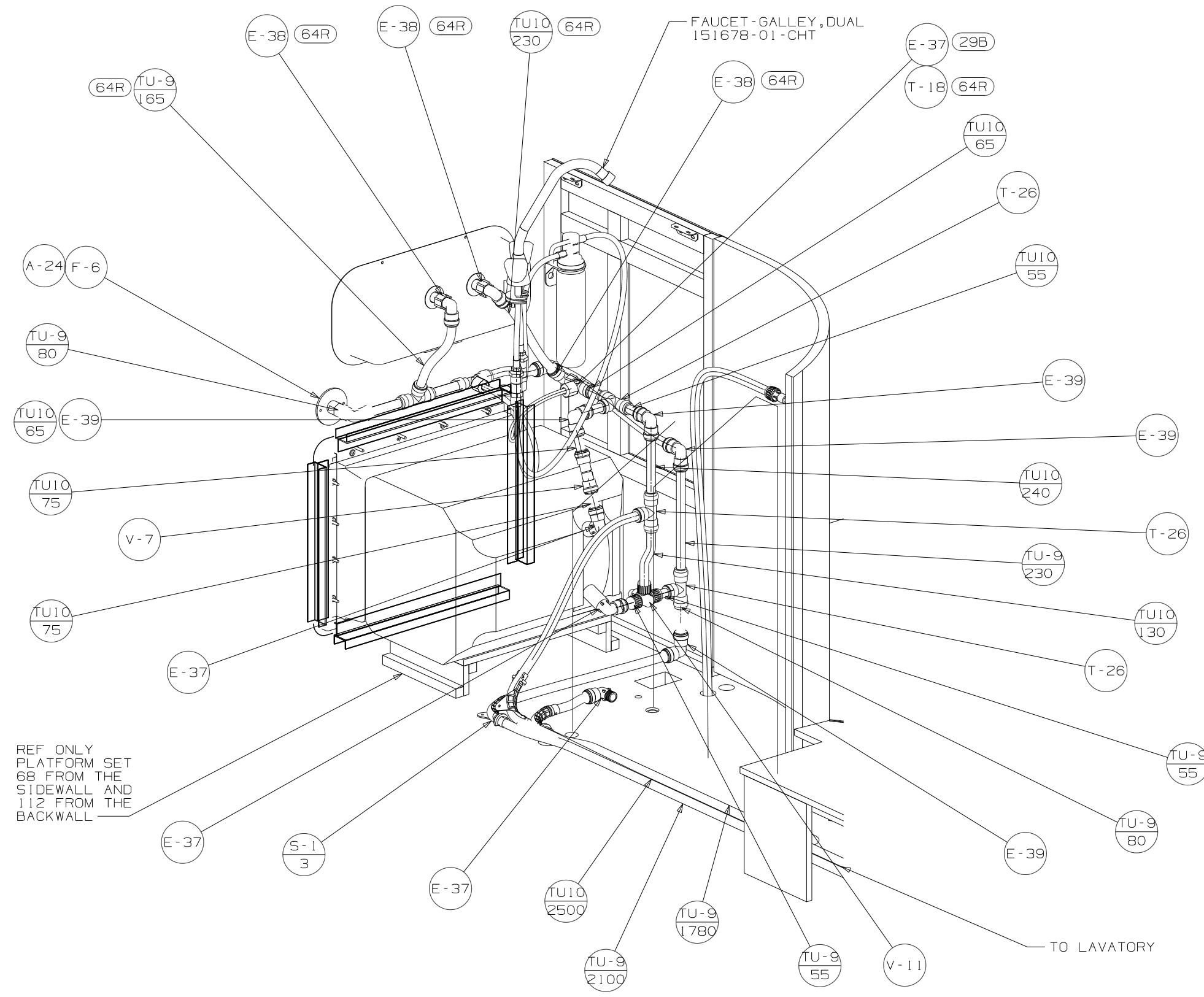
- (53E) WATER SYS WINTERIZATION
- (53B) WTR HTR-6GAL ELEC/LP GAS
- (53F) WATER HTR-ELEC, IGNITION
- (29B) WATER PURIFIER
- (50I) WATER PURIFIER WITHOUT
- (64R) EXTERIOR WASH STATION
- (1J4) EXT WASH STATION-WITHOUT

- 8 INSTALL CONNECTOR WITH TAPERED END AWAY FROM FAUCET.
 - 7 ADD PIPE WRAP (LADDER SCRAP 110157-02-000) INSULATION.
 - 6 ADD TEFLON TAPE 10405-03-000.
 - 5 ADD TEFLON TAPE 10405-02-000.
 - 4 ADD TEFLON TAPE 10405-01-000.
3. ALL TUBING TO BE SECURED AT 1200 INTERVALS MAXIMUM WITH CLAMP 10495-01-000 AND SCREW G67-10-12B OR EQUIVALENT.
 2. TUBING TO BE INSTALLED WITH SUFFICIENT SLOPE TO PROVIDE DRAINAGE TO NEAREST VALVE.
 1. PLASTIC FITTINGS TO BE SEALED WITH SEALANT 84456-01-000.

NOTES:

(X-X)
FOR
WATER
CALLOUTS
SEE DWG NO
116230-01-000

WINNEBAGO		COPYRIGHT 2009 WINNEBAGO INDUSTRIES, INC.	
DFTR	ORIG. DATE	ALL DIMENSIONS ARE IN MILLIMETERS	
CHKR		FIRST USED	
P.E.		09 524A	
M.E.		UNSPECIFIED TOLERANCES ARE:	
DSNR		MATERIAL:	
		WHOLE DIM (X)	: 3
		ONE-PLACE (X.X)	: 1.5
		TWO-PLACE (X.XX)	: 0.50
		ANGLE	: 1°
THIRD ANGLE PROJECTION		DO NOT SCALE DRAWING	
TITLE: WATER SYSTEM INSTL			
SHEET 1 OF 5	PART NO	168291	REV
REF:	1 5/20/2009		



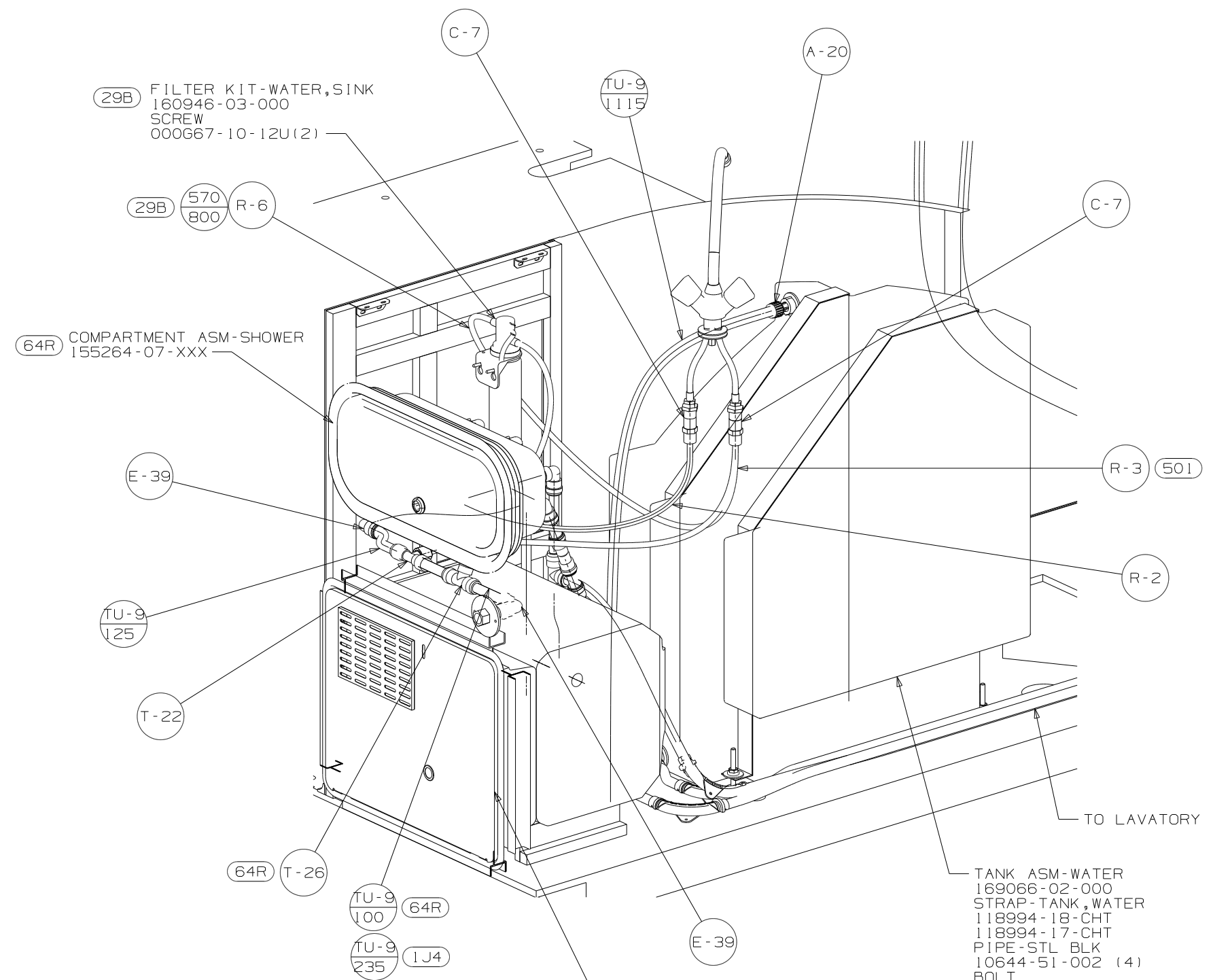
REF ONLY
 PLATFORM SET
 68 FROM THE
 SIDEWALL AND
 112 FROM THE
 BACKWALL

FAUCET - GALLEY, DUAL
 151678-01 - CHT

TO LAVATORY

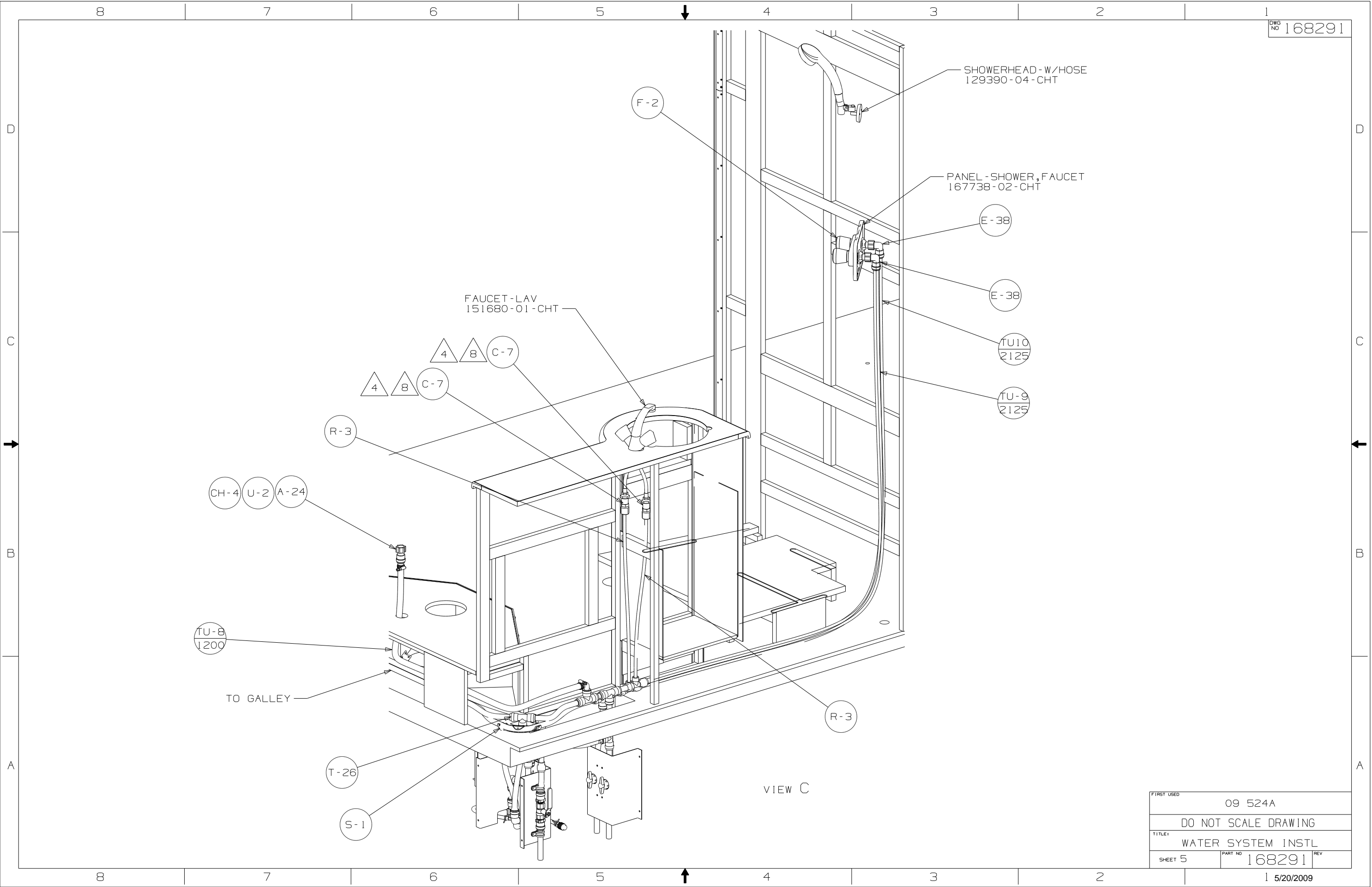
VIEW A

FIRST USED	09 524A		
TITLE:	DO NOT SCALE DRAWING		
	WATER SYSTEM INSTL		
SHEET 3	PART NO	168291	REV



VIEW B

FIRST USED	09 524A	
TITLE:	DO NOT SCALE DRAWING	
	WATER SYSTEM INSTL	
SHEET 4	PART NO	168291
	REV	



FIRST USED	09 524A	
TITLE	DO NOT SCALE DRAWING	
	WATER SYSTEM INSTL	
SHEET 5	PART NO 168291	REV