

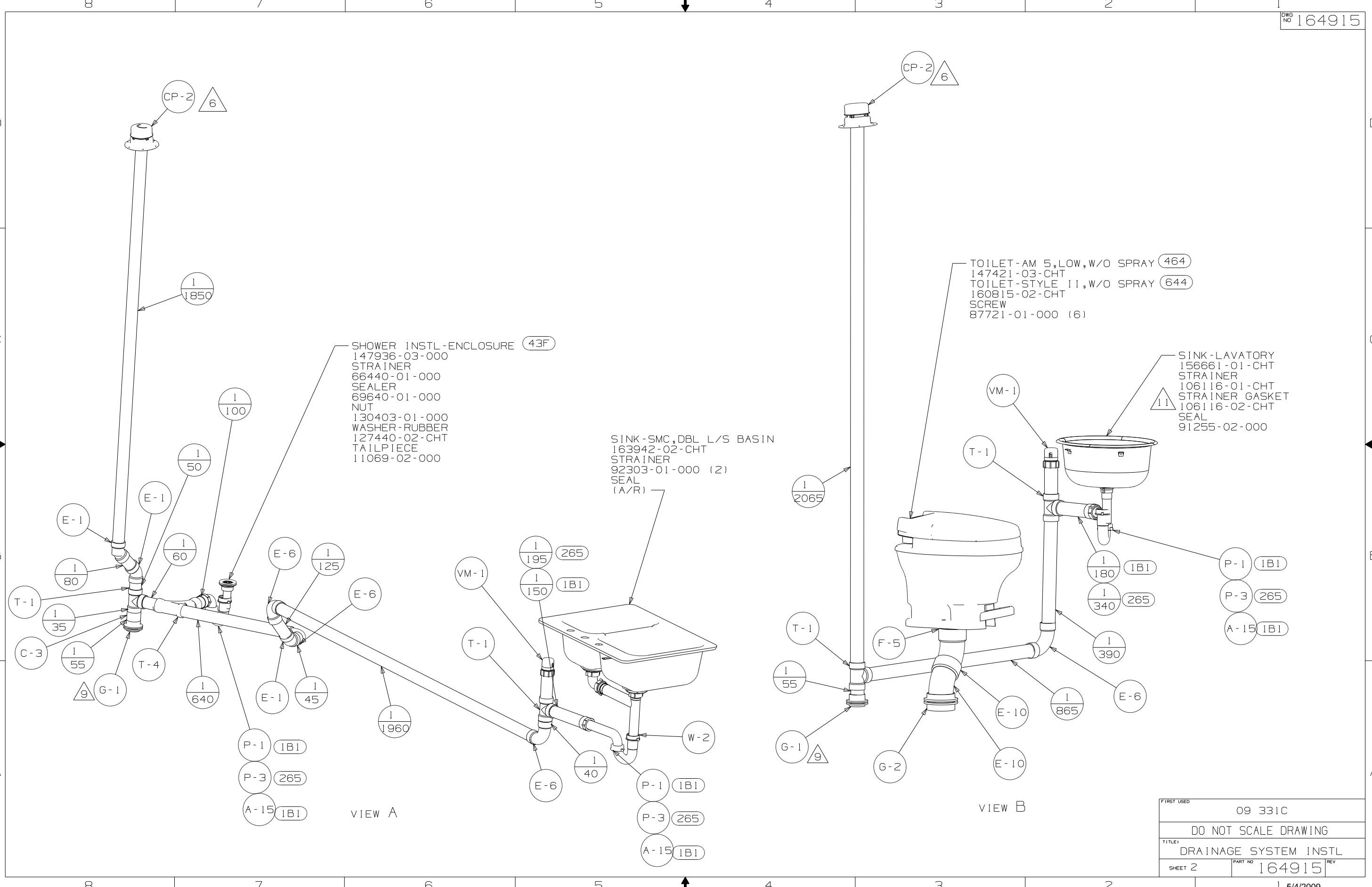
- 11 USE SMOOTH PLUMBER'S PUTTY 167459-01-000 TO SEAL STRAINER (.2 PER STRAINER)
- 10. SECURE PIPES TO CABINET USING WIRE TIE 108046-02-000 AND SCREW G67-10-12B.
- 9 SECURE VENT TUBES TO FLOOR WITH CLAMP 62401-02-000 (2) SCREW G67-10-12B (2) AND BRACKET 136878-01-CHT (2).
- 8 WRAP PAD AROUND ON THE SIDES OF THE TANK.
- 7 SEE WIRING INSTL-BODY, 12V FOR ELECTRICAL CONNECTION.
- 6 VENT PIPE MUST PROJECT 51 MIN AND 64 MAX ABOVE ROOF FOR PROPER FIT AND FUNCTION. ADD S-1 (116666-01-CHT SEAL-VENT PIPE) AROUND PIPE ON ROOF BEFORE VENT CAP IS INSTALLED.
- 5. SEAL AROUND SHOWER WITH SILICONE.
- 4. INSTALL PER MANUFACTURERS LABEL.
- 3. ALL PIPE AND FITTINGS TO BE ASSEMBLED WITH SOLVENT 4020-01-000.
- 2. SLOPE OF TRAP ARM MUST BE 6 PER 305 mm.
- 1. SLOPE OF HORIZONTAL PIPING TO BE MIN 3 PER 305 mm.

- (1B1) CODES/STANDARDS USA
- (265) CODES/STDS-CSA/CMVSS
- (43F) SHOWER SURROUND
- (464) TOILET
- (23T) DRAINAGE SYSTEM-HEATED
- (644) GREAT ALASKAN RENTAL PACKAGE

NOTES:

(X-X)
FOR
DRAINAGE
CALLOUTS
SEE DWG NO
116229-01-000

WINNEBAGO		COPYRIGHT 2009 WINNEBAGO INDUSTRIES, INC.	
DFT	ORIG. DATE	ALL DIMENSIONS ARE IN MILLIMETERS	
CHKR		FIRST USED	
P.E.		09 331C	
M.E.		UNSPECIFIED TOLERANCES ARE:	
DSNR		MATERIAL:	
		WHOLE DIM (X)	: 7
		ONE-PLACE (X.X)	:
		TWO-PLACE (X.XX)	:
		ANGLE	:
		THIRD ANGLE PROJECTION	⊕
DO NOT SCALE DRAWING			
TITLE: DRAINAGE SYSTEM INSTL			
SHEET 1 OF 3	PART NO	164915	REV



SHOWER INSTL-ENCLOSURE (43F)
 147936-03-000
 STRAINER
 66440-01-000
 SEALER
 69640-01-000
 NUT
 130403-01-000
 WASHER-RUBBER
 127440-02-CHT
 TAILPIECE
 11069-02-000

SINK-SMC, DBL L/S BASIN
 163942-02-CHT
 STRAINER
 92303-01-000 (2)
 SEAL
 (A/R)

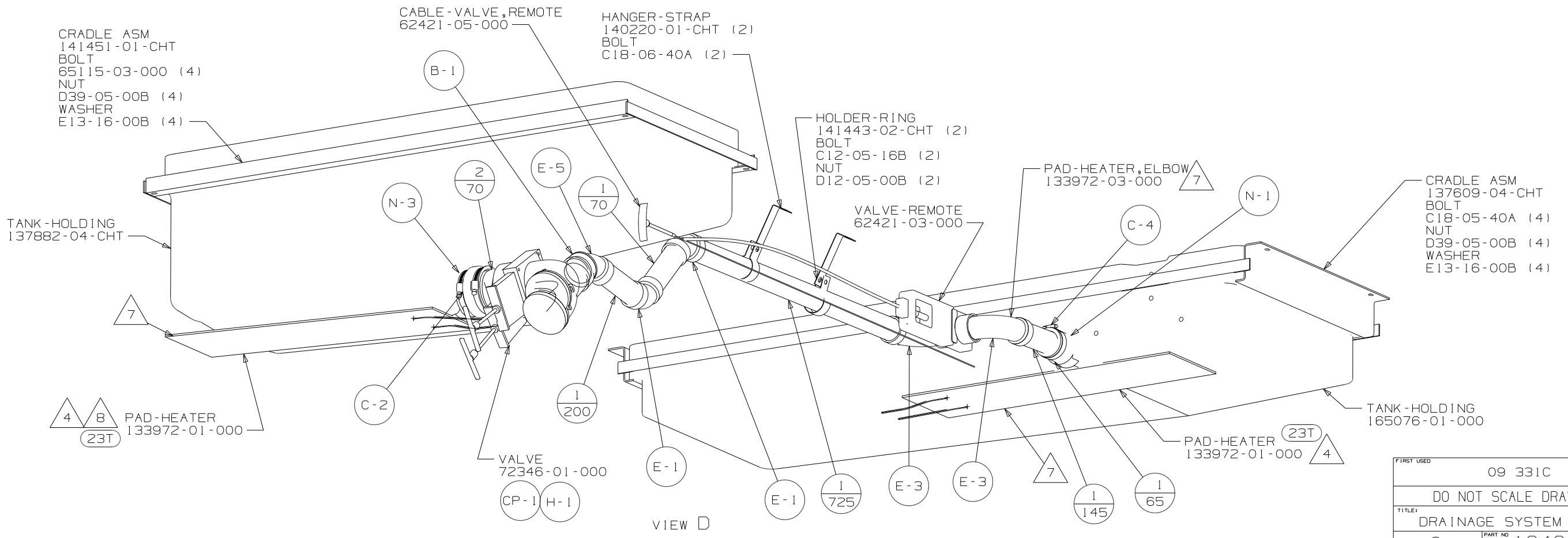
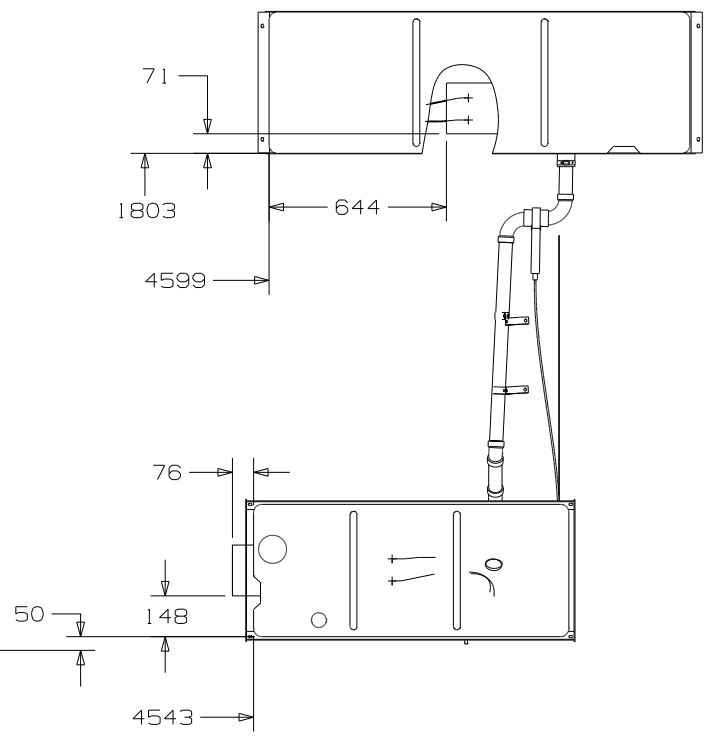
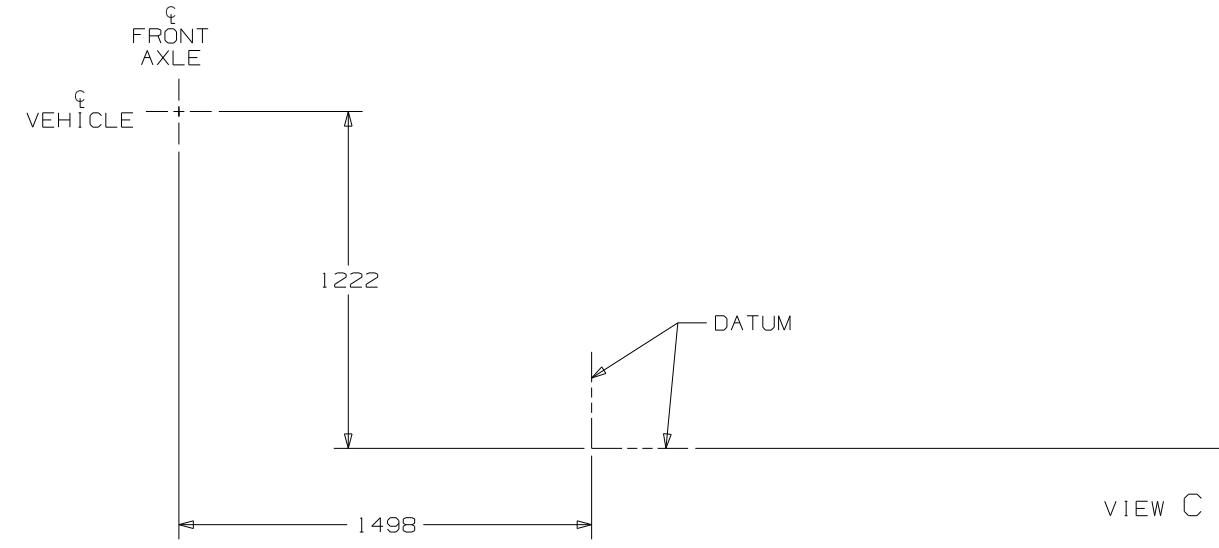
TOILET-AM 5, LOW, W/O SPRAY (464)
 147421-03-CHT
 TOILET-STYLE 11, W/O SPRAY (644)
 160815-02-CHT
 SCREW
 87721-01-000 (6)

SINK-LAVATORY
 156661-01-CHT
 STRAINER
 106116-01-CHT
 STRAINER GASKET
 106116-02-CHT
 SEAL
 91255-02-000

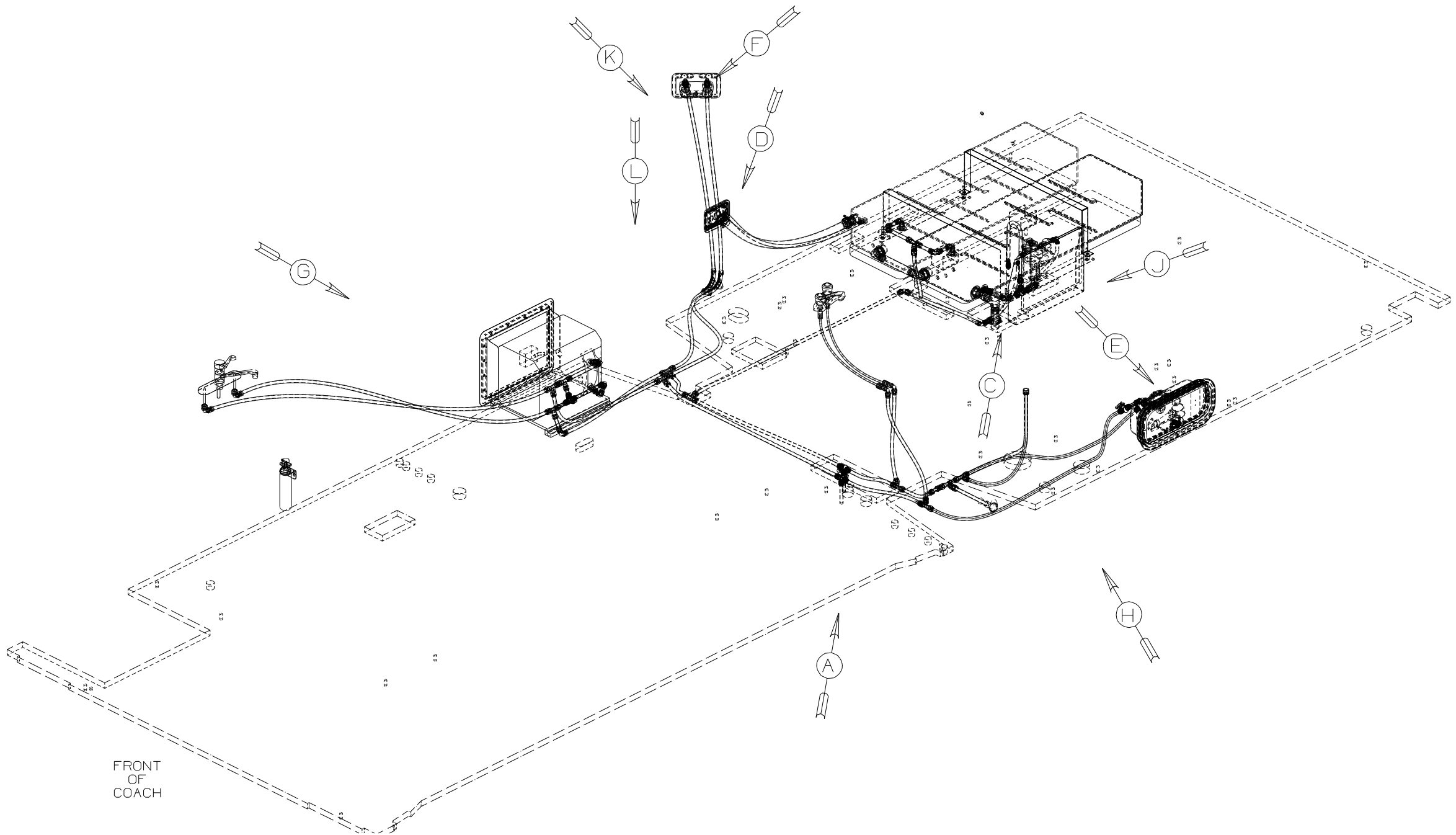
VIEW A

VIEW B

FIRST USED	09 331C	
TITLE	DO NOT SCALE DRAWING	
	DRAINAGE SYSTEM INSTL	
SHEET 2	PART NO	164915
	REV	



FIRST USED	09 331C	
TITLE	DO NOT SCALE DRAWING	
	DRAINAGE SYSTEM INSTL	
SHEET 3	PART NO 164915	REV



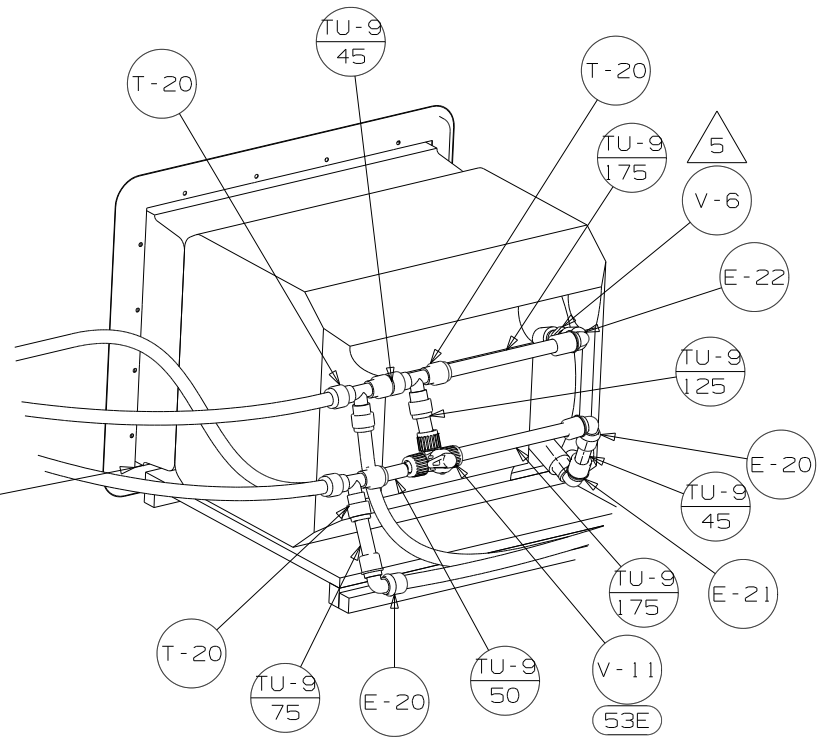
- (64V) SIDEWALL-PREMIUM HIGH GLOSS
- (64T) SIDEWALLS-HIGH GLOSS
- (29B) WATER PURIFIER
- (501) WATER PURIFIER WITHOUT
- (64R) EXTERIOR WASH STATION
- (1J4) EXT WASH STATION - WITHOUT
- (53F) WATER HEATER-ELEC. IGNITION
- (53E) WATER SYS WINTERIZATION PKG
- (53Z) WTR HTR-6GAL/110/LP/MTR/AUTO
- (53J) WATER HEATER BY-PASS-VALVE
- (08P) INTERIOR UPGRADE - WITHOUT
- (086) INTERIOR UPGRADE PACKAGE

- NOTES:
- 8 INSTALL BYPASS PLUG FOR SYSTEM TESTING AND SHIPPING.
 - 7 ADD PIPE WRAP (LADDER SCRAP 110157-02-000) INSULATION.
 - 6 ADD TEFLON TAPE 10405-03-000.
 - 5 ADD TEFLON TAPE 10405-02-000.
 - 4 ADD TEFLON TAPE 10405-01-000.
3. ALL TUBING TO BE SECURED AT 1200 INTERVALS MAXIMUM WITH CLAMP 10495-01-000 AND SCREW G67-10-12B OR EQUIVALENT.
 2. TUBING TO BE INSTALLED WITH SUFFICIENT SLOPE TO PROVIDE DRAINAGE TO NEAREST VALVE.
 1. PLASTIC FITTINGS TO BE SEALED WITH SEALANT 84456-01-000.

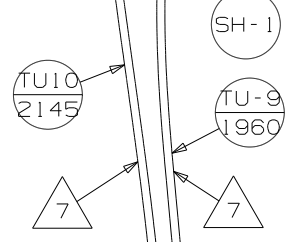
WINNEBAGO		COPYRIGHT 2009 WINNEBAGO INDUSTRIES, INC.	
DFTR	ORIG. DATE	ALL DIMENSIONS ARE IN MILLIMETERS	
CHKR		FIRST USED	
P.E.		09 331C	
M.E.		UNSPECIFIED TOLERANCES ARE:	
DSNR		MATERIAL:	
		WHOLE DIM (X) :	3
		ONE-PLACE (X.X) :	
		TWO-PLACE (X.XX) :	
		ANGLE :	
THIRD ANGLE PROJECTION		DO NOT SCALE DRAWING	
TITLE: WATER SYSTEM INSTL			
SHEET 1 OF 5	PART NO	164916	REV
REF:	1 5/19/2009		

(X-X)
FOR
WATER
CALLOUTS
SEE DWG NO
116230-01-000

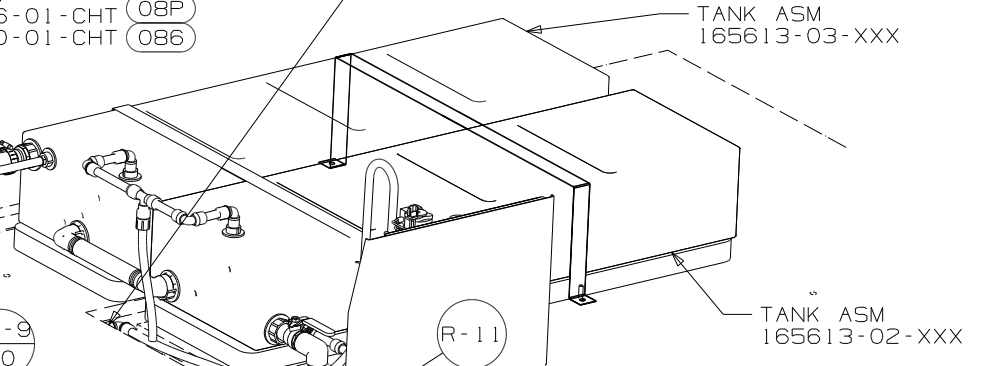
- 53F WATER HEATER 51391-03-000
- 53Z FLANGE-WATER HEATER 145541-02-000
- DOOR 152239-01-CHT
- 125420-06-CHT
- AL EXTR 151293-51-004 (2)
- 151293-51-005 (2)
- SCREW 639-10-169 (18)
- SEALANT 69640-14-000
- 112864-01-000
- PLATFORM 136366-01-000
- CABLE 76767-03-000
- SCREW 611-06-08B (2)



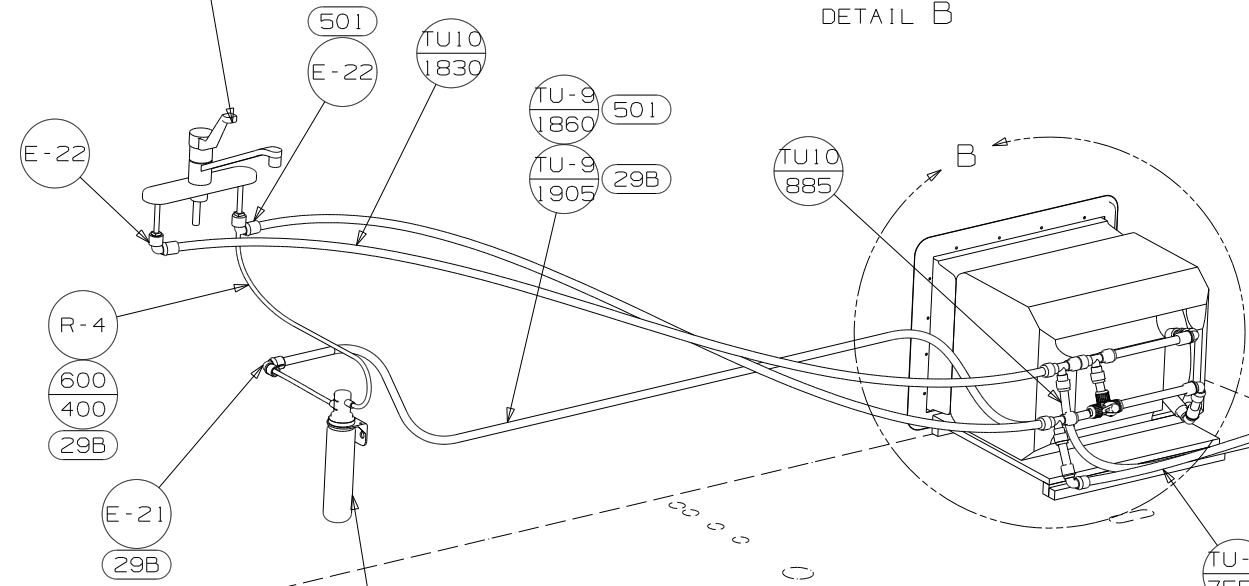
- FAUCET-SHOWER 79563-03-CHT
- PANEL 78498-01-CHT
- SCREW 611-08-12U (4)
- COVER 78500-01-CHT (4)



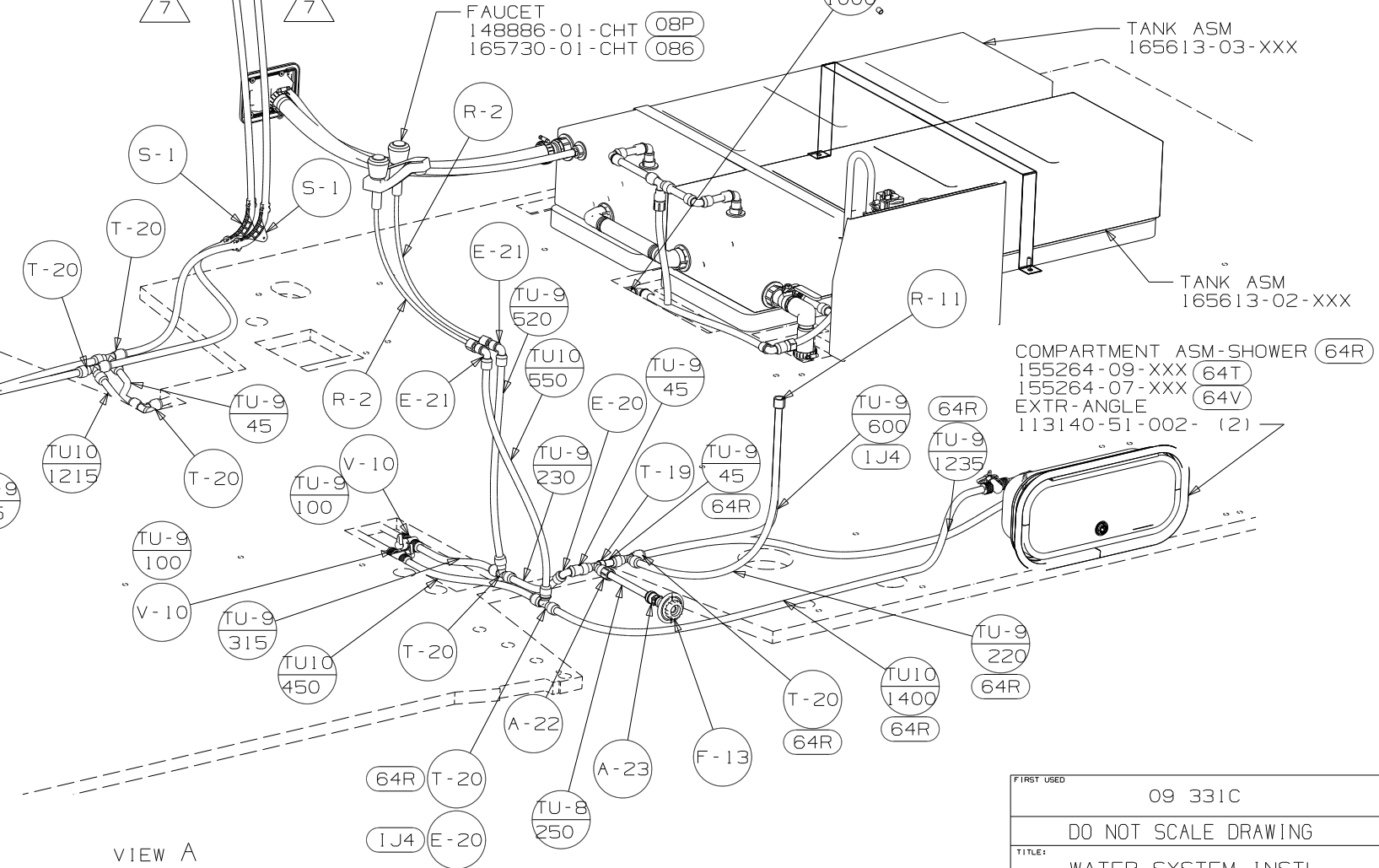
- FAUCET 148886-01-CHT (08P)
- 165730-01-CHT (086)



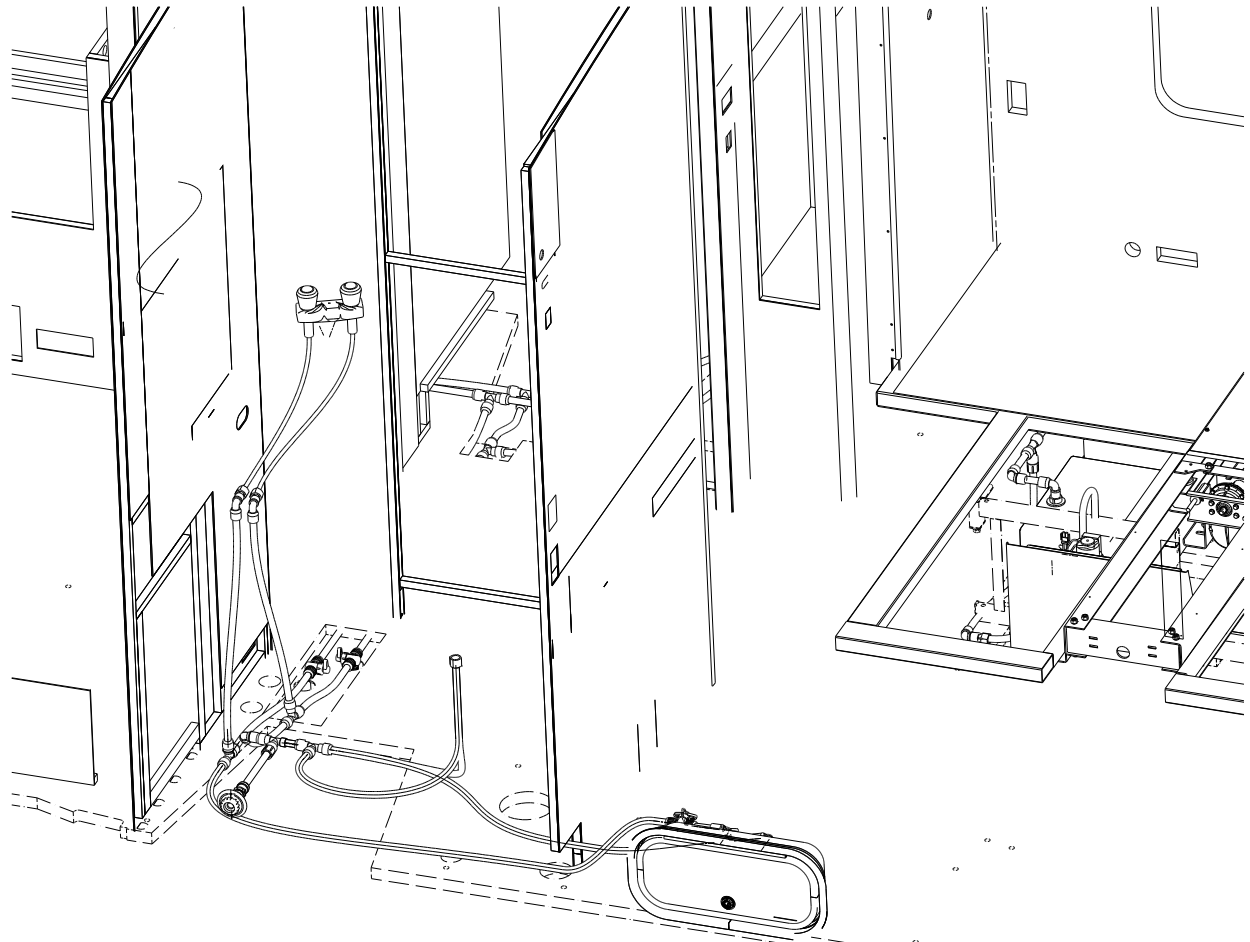
- COMPARTMENT ASM-SHOWER (64R) 155264-09-XXX (64T)
- 155264-07-XXX (64V)
- EXTR-ANGLE 113140-51-002- (2)



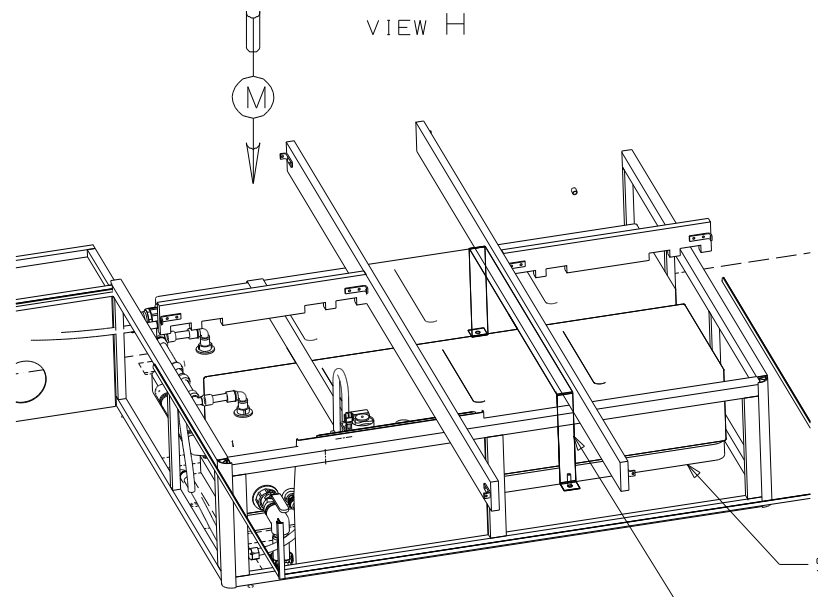
- FILTER 160946-03-000
- SCREW 667-10-12U (2)



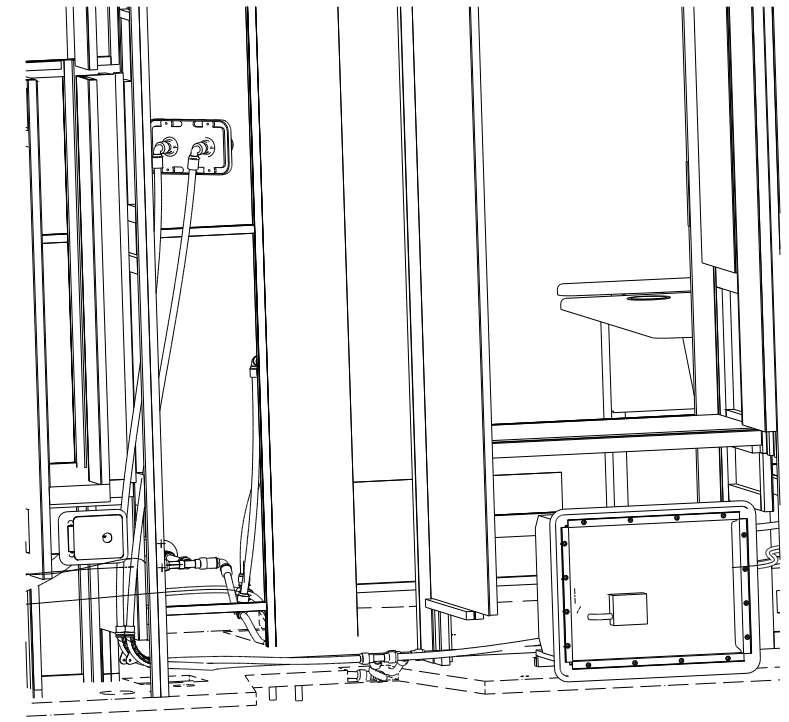
FIRST USED	09 331C		
TITLE:	DO NOT SCALE DRAWING		
	WATER SYSTEM INSTL		
SHEET 2	PART NO	164916	REV



VIEW H

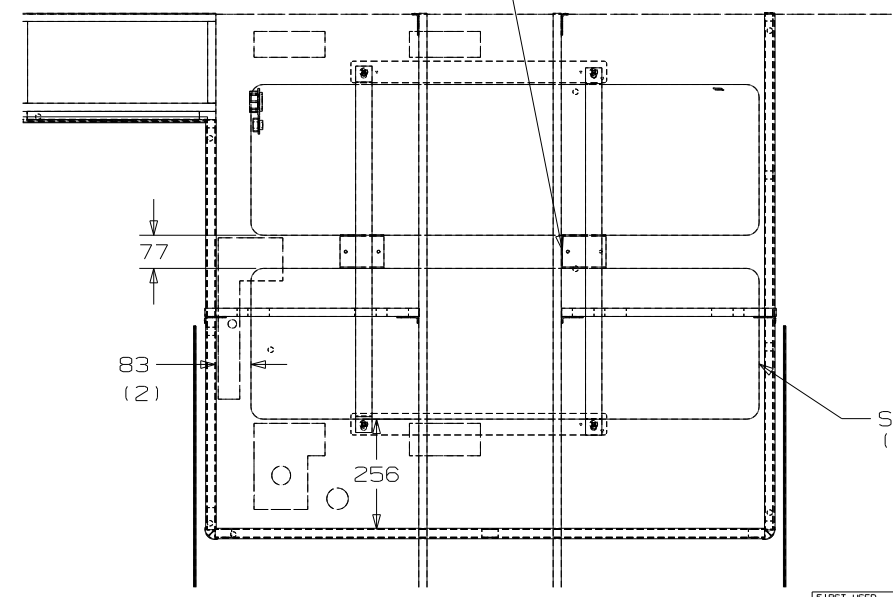


VIEW J



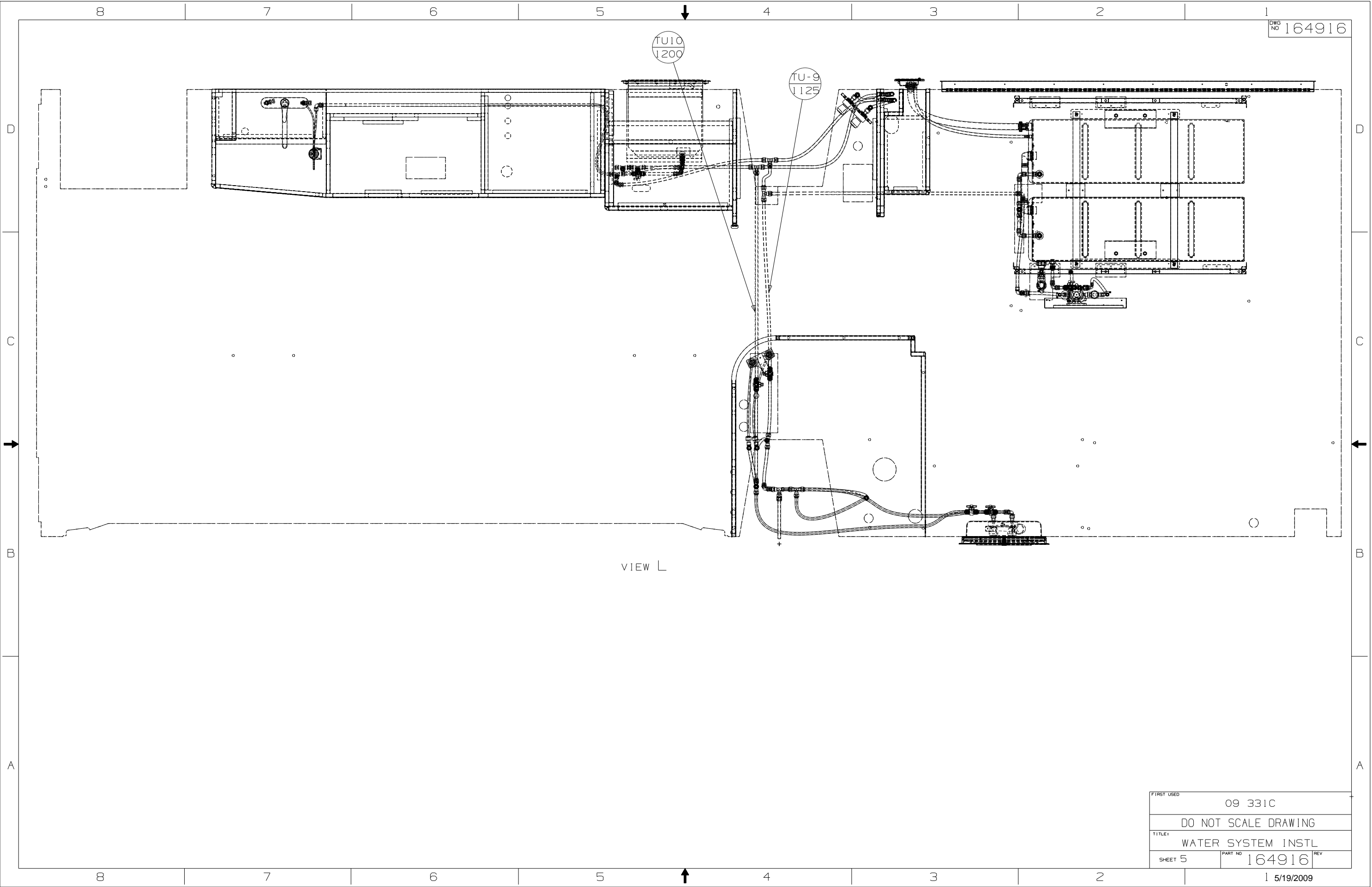
VIEW K

U-CHANNEL
124296-16-CHT (2)
SCREW
G67-10-12U (4)



DETAIL M
(SHOWN WITHOUT WATER TANKS)

FIRST USED	09 331C
TITLE	DO NOT SCALE DRAWING
SHEET 4	PART NO 164916
	REV



VIEW L

FIRST USED	09 331C		
TITLE	DO NOT SCALE DRAWING		
TITLE	WATER SYSTEM INSTL		
SHEET 5	PART NO	164916	REV