

- 9 SECURE VENT TUBES TO FLOOR WITH CLAMP 62401-02-000 (2) SCREW G67-10-12B (2) AND BRACKET 136878-01-CHT (2).
- 8 WRAP PAD AROUND ON THE SIDES OF THE TANK.
- 7 SEE WIRING INSTL-BODY, 12V FOR ELECTRICAL CONNECTION.
- 6 VENT PIPE MUST PROJECT 51 MIN AND 64 MAX ABOVE ROOF FOR PROPER FIT AND FUNCTION.
- 5. SEAL AROUND SHOWER WITH SILICONE.
- 4. SECURE PIPES TO CABINET USING WIRE TIE 108046-02-000 AND SCREW G67-10-12B.
- 3. ALL PIPE AND FITTINGS TO BE ASSEMBLED WITH SOLVENT 4020-01-000.
- 2. SLOPE OF TRAP ARM MUST BE 6 PER 305 mm.
- 1. SLOPE OF HORIZONTAL PIPING TO BE MIN 3 PER 305 mm.

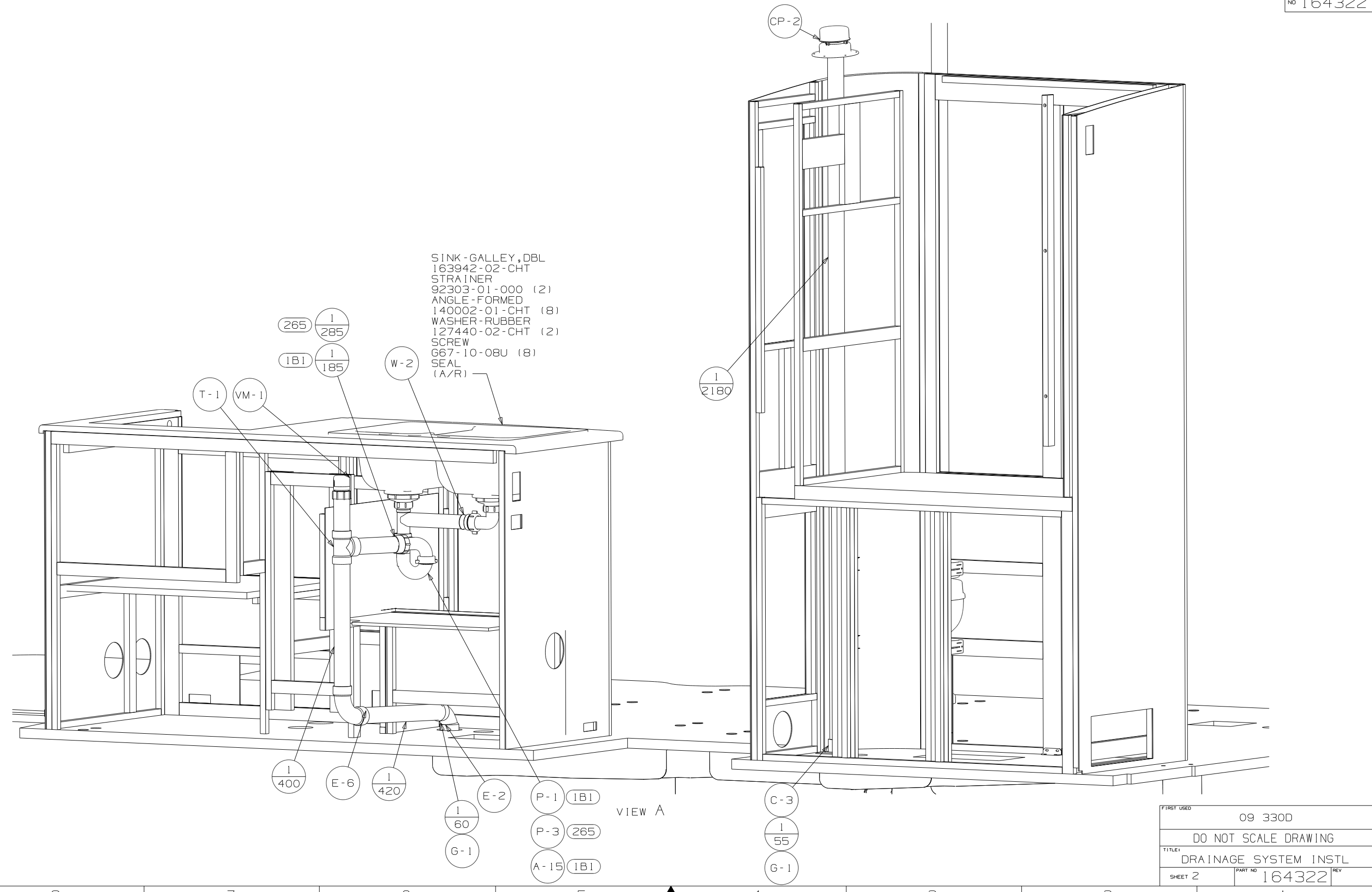
- (1B1) CODES/STANDARDS USA
- (265) CODES/STDS-CSA/CMVSS
- (43F) SHOWER SURROUND
- (464) TOILET
- (23T) DRAINAGE SYSTEM-HEATED
- (644) GREAT ALASKAN RENTAL PACKAGE

WINNEBAGO		COPYRIGHT 2008 WINNEBAGO INDUSTRIES, INC.	
DFTR	ORIG. DATE	ALL DIMENSIONS ARE IN MILLIMETERS	
CHKR		FIRST USED	
P.E.		09 330D	
M.E.		UNSPECIFIED TOLERANCES ARE:	
DSNR		MATERIAL:	
		WHOLE DIM (X) :	7
		ONE-PLACE (X.X) :	
		TWO-PLACE (X.XX) :	
		ANGLE :	
THIRD ANGLE PROJECTION		DO NOT SCALE DRAWING	
TITLE: DRAINAGE SYSTEM INSTL			
SHEET 1 OF 4	PART NO	164322	REV
REF:	1 9/10/2008		

FOR
DRAINAGE
CALLOUTS
SEE DWG NO
116229-01-000

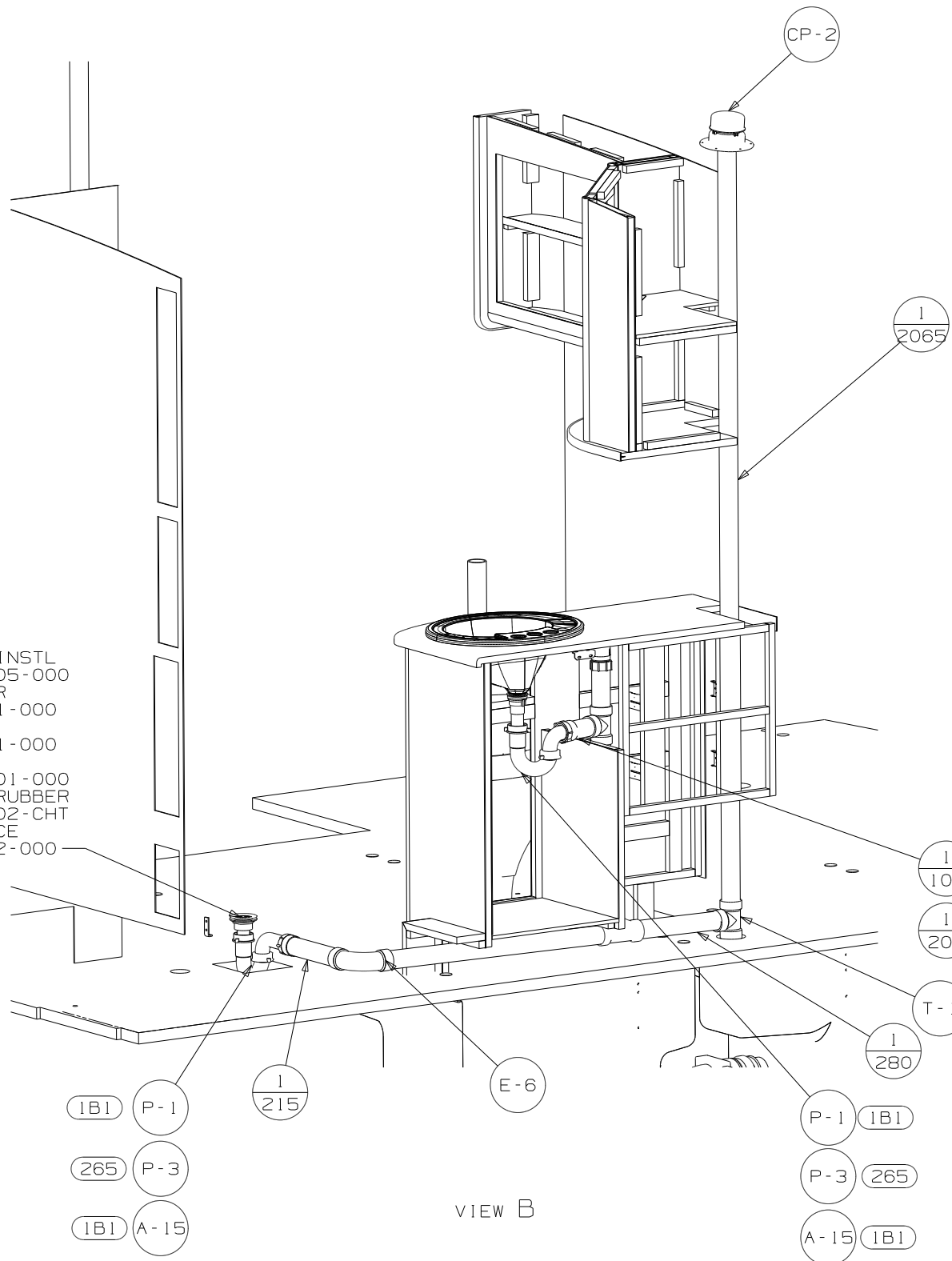
NOTES:

- SINK - GALLEY, DBL
163942-02-CHT
- STRAINER
92303-01-000 (2)
- ANGLE - FORMED
140002-01-CHT (8)
- WASHER - RUBBER
127440-02-CHT (2)
- SCREW
G67-10-08U (8)
- SEAL
(A/R)



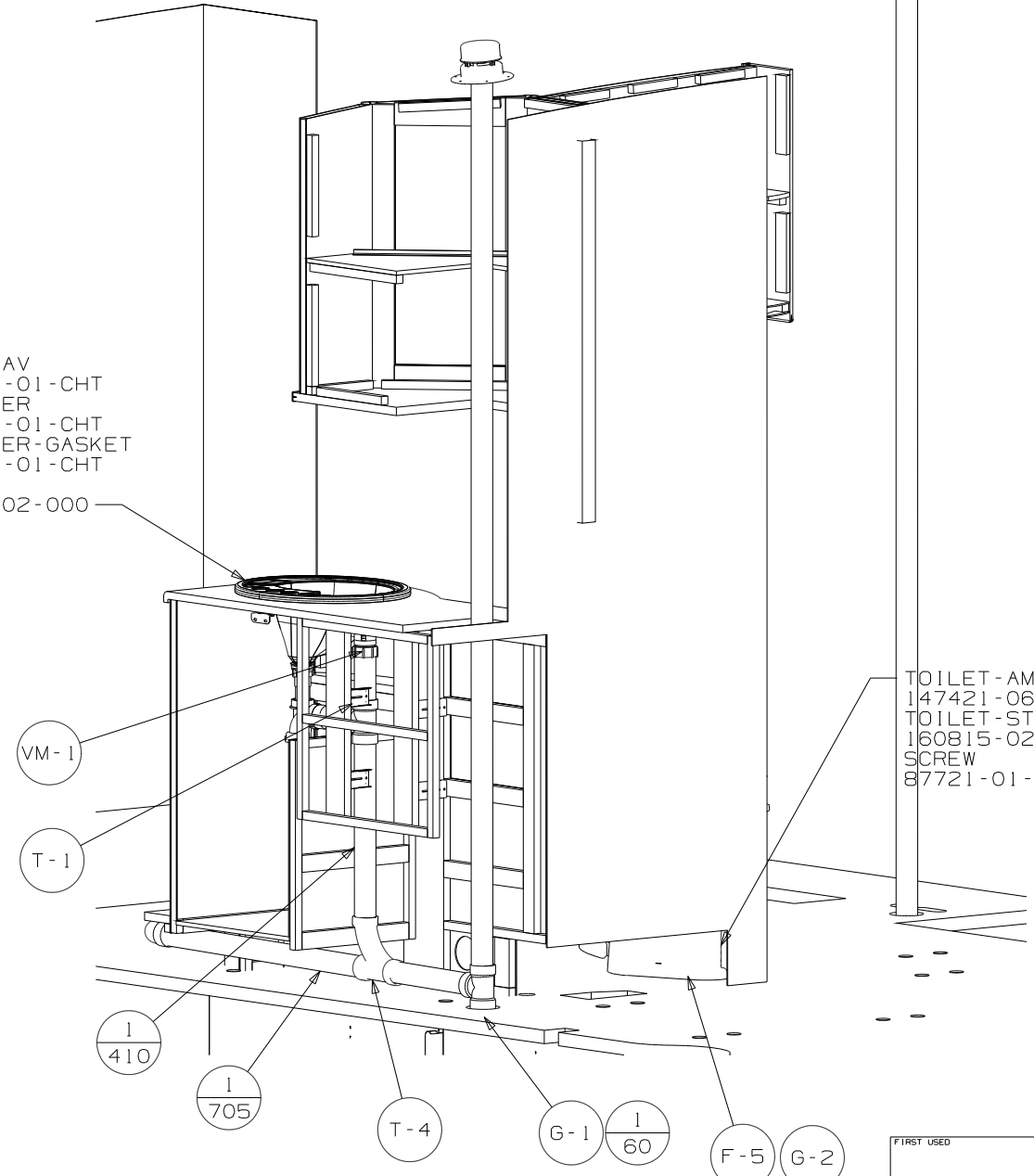
VIEW A

FIRST USED	09 330D
DO NOT SCALE DRAWING	
TITLE:	DRAINAGE SYSTEM INSTL
SHEET 2	PART NO 164322 REV
1 9/10/2008	



VIEW B

SINK-LAV
 164615-01-CHT
 STRAINER
 106116-01-CHT
 STRAINER-GASKET
 106116-01-CHT
 SEAL
 91255-02-000

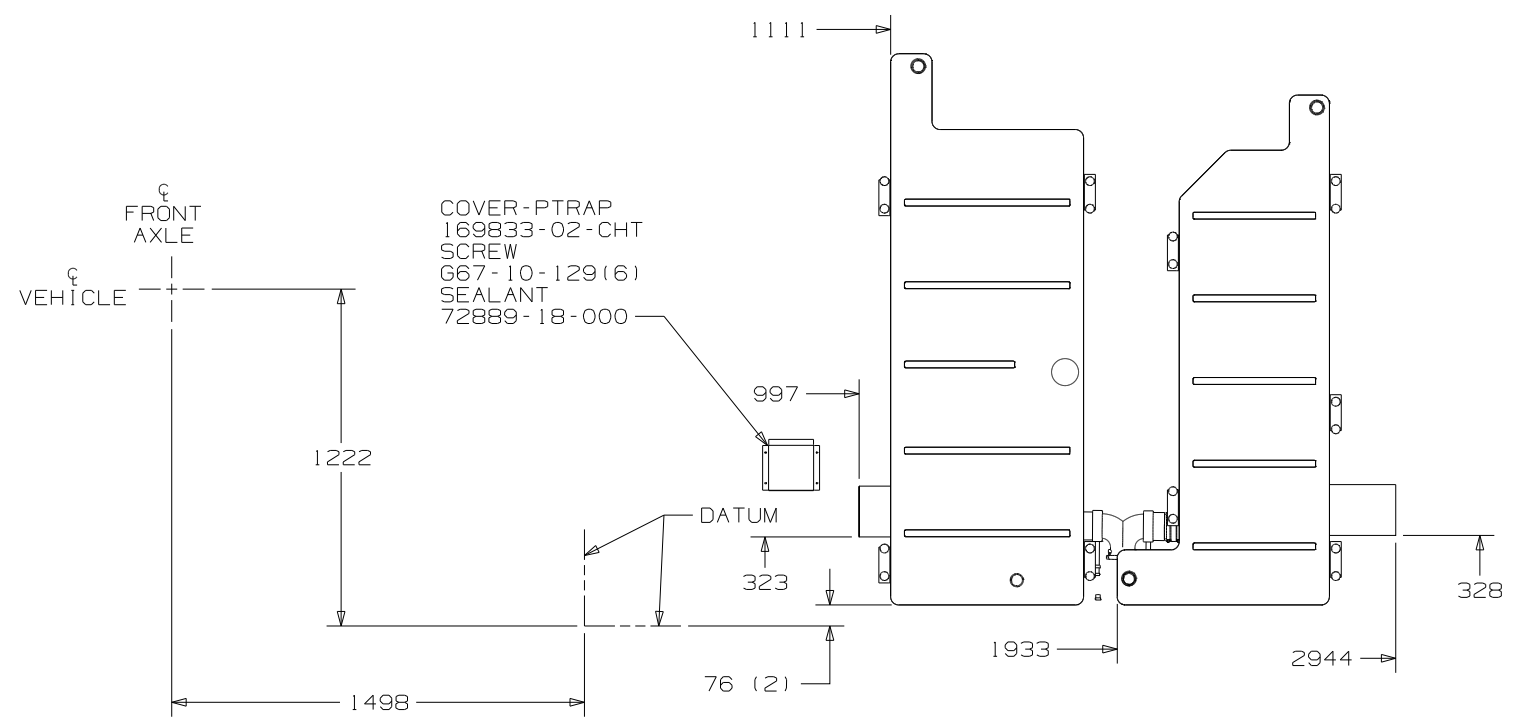


VIEW C

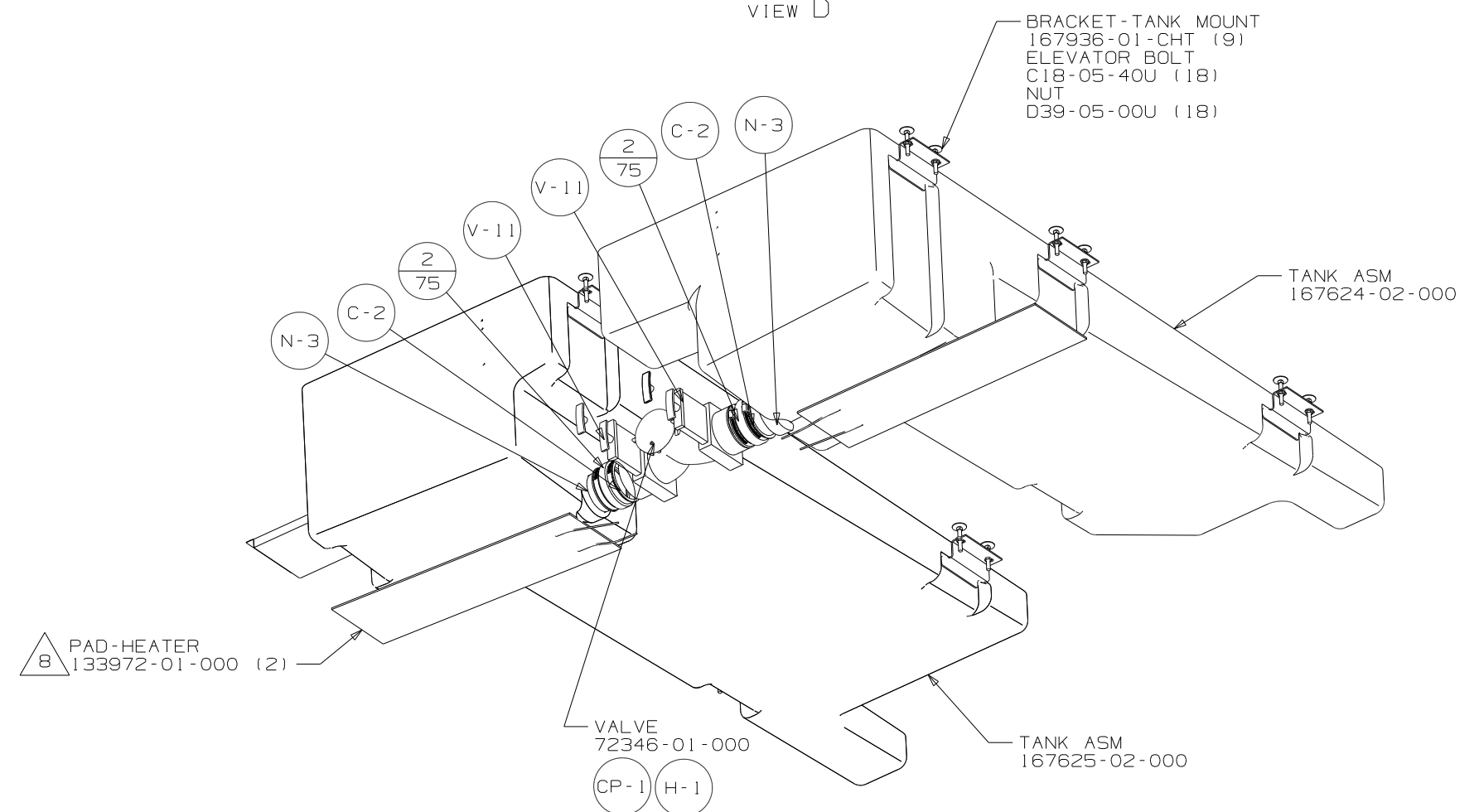
TOILET-AM, W/O SPRAY (464)
 147421-06-CHT
 TOILET-STYLE, W/O SPRAY (644)
 160815-02-CHT
 SCREW
 87721-01-000 (6)

SHOWER INSTL
 166788-05-000
 STRAINER
 66440-01-000
 SEALER
 69640-01-000
 NUT
 130403-01-000
 WASHER-RUBBER
 127440-02-CHT
 TAILPIECE
 11069-02-000

FIRST USED	09 330D
DO NOT SCALE DRAWING	
TITLE	DRAINAGE SYSTEM INSTL
SHEET 3	PART NO 164322 REV



VIEW D

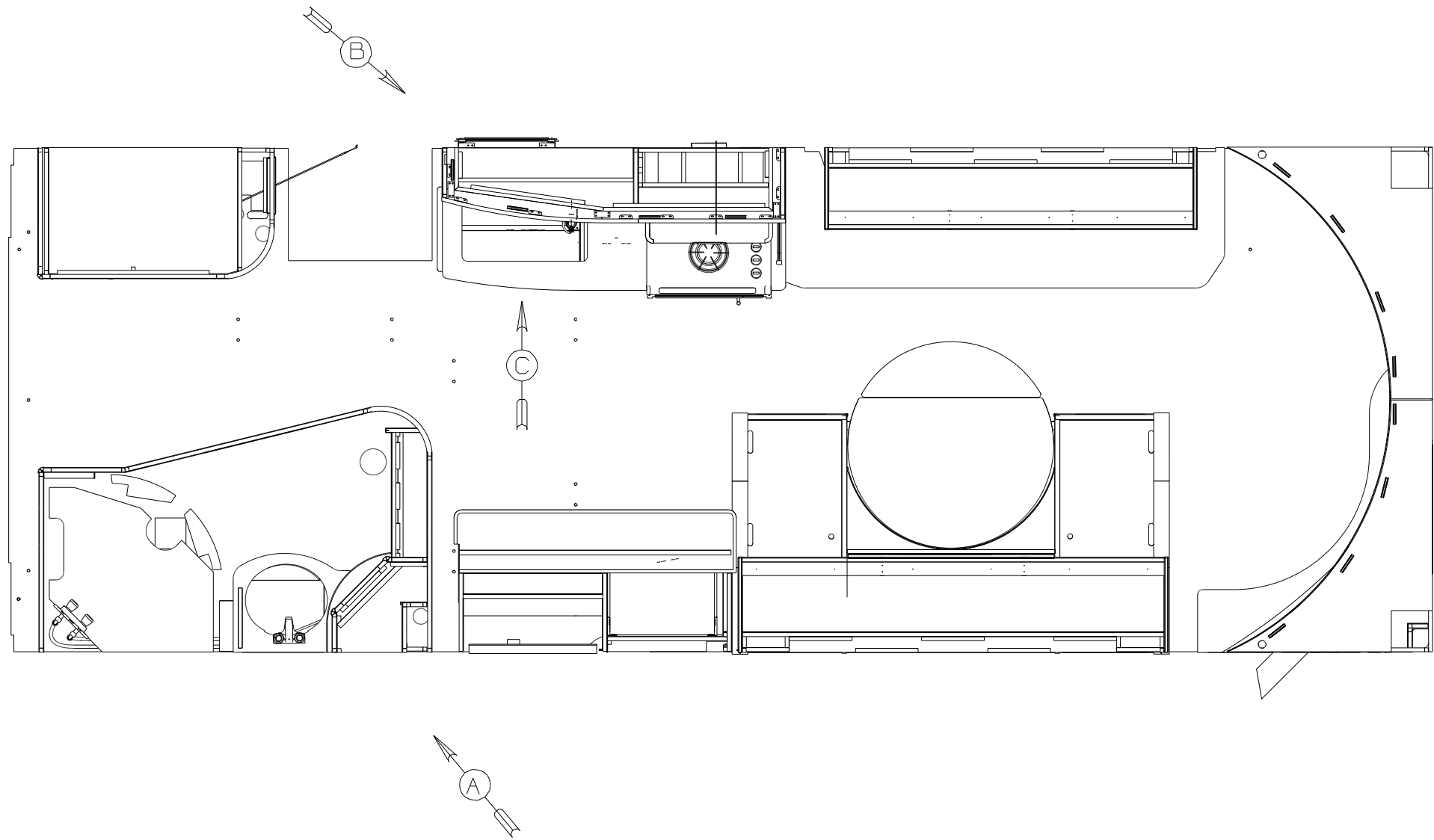


VIEW E

FIRST USED	09 330D
DO NOT SCALE DRAWING	
TITLE	DRAINAGE SYSTEM INSTL
SHEET 4	PART NO 164322 REV

DWG NO	FAUCET-LAV (08P)	FAUCET-LAV (086)
164382-01	148886-01-CHT	165730-01-CHT
164382-02	148886-03-CHT	165730-01-CHT

RELEASE	REV DATE	DWG NO
A		164382
REV ZONE	REVISION RECORD	DATE
		DFTR-016



- (64V) SIDEWALL - PREMIUM HIGH GLOSS
- (64T) SIDEWALLS - HIGH GLOSS
- (53Z) WTR HTR - 6GAL / 110 / LP / MTR / AUTO
- (53F) WATER HEATER - ELEC. IGNITION
- (64R) EXTERIOR WASH STATION
- (1J4) EXT WASH STATION - WITHOUT
- (08P) INTERIOR UPGRADE - WITHOUT
- (086) INTERIOR UPGRADE PACKAGE
- (29B) WATER PURIFIER
- (501) WATER PURIFIER WITHOUT

- 7 ADD PIPE WRAP (LADDER SCRAP 110157-02-000) INSULATION.
 - 6 ADD TEFLON TAPE 10405-03-000.
 - 5 ADD TEFLON TAPE 10405-02-000.
 - 4 ADD TEFLON TAPE 10405-01-000.
3. ALL TUBING TO BE SECURED AT 1200 INTERVALS MAXIMUM WITH CLAMP 10495-01-000 AND SCREW G67-10-12B OR EQUIVALENT.
 2. TUBING TO BE INSTALLED WITH SUFFICIENT SLOPE TO PROVIDE DRAINAGE TO NEAREST VALVE.
 1. PLASTIC FITTINGS TO BE SEALED WITH SEALANT 84456-01-000.

NOTES:

WINNEBAGO		COPYRIGHT 2009 WINNEBAGO INDUSTRIES, INC.	
DFTR	ORIG. DATE	ALL DIMENSIONS ARE IN MILLIMETERS	
CHKR		FIRST USED	
P.E.		09 330D	
M.E.		UNSPECIFIED TOLERANCES ARE:	
DSNR		MATERIAL:	
		WHOLE DIM (X)	: 3
		ONE-PLACE (X.X)	: 1.5
		TWO-PLACE (X.XX)	: 0.50
		ANGLE	: 1°
THIRD ANGLE PROJECTION		DO NOT SCALE DRAWING	
TITLE: WATER SYSTEM INSTL			
SHEET 1 OF 4	PART NO	164382	REV
REF:	1 4/7/2009		

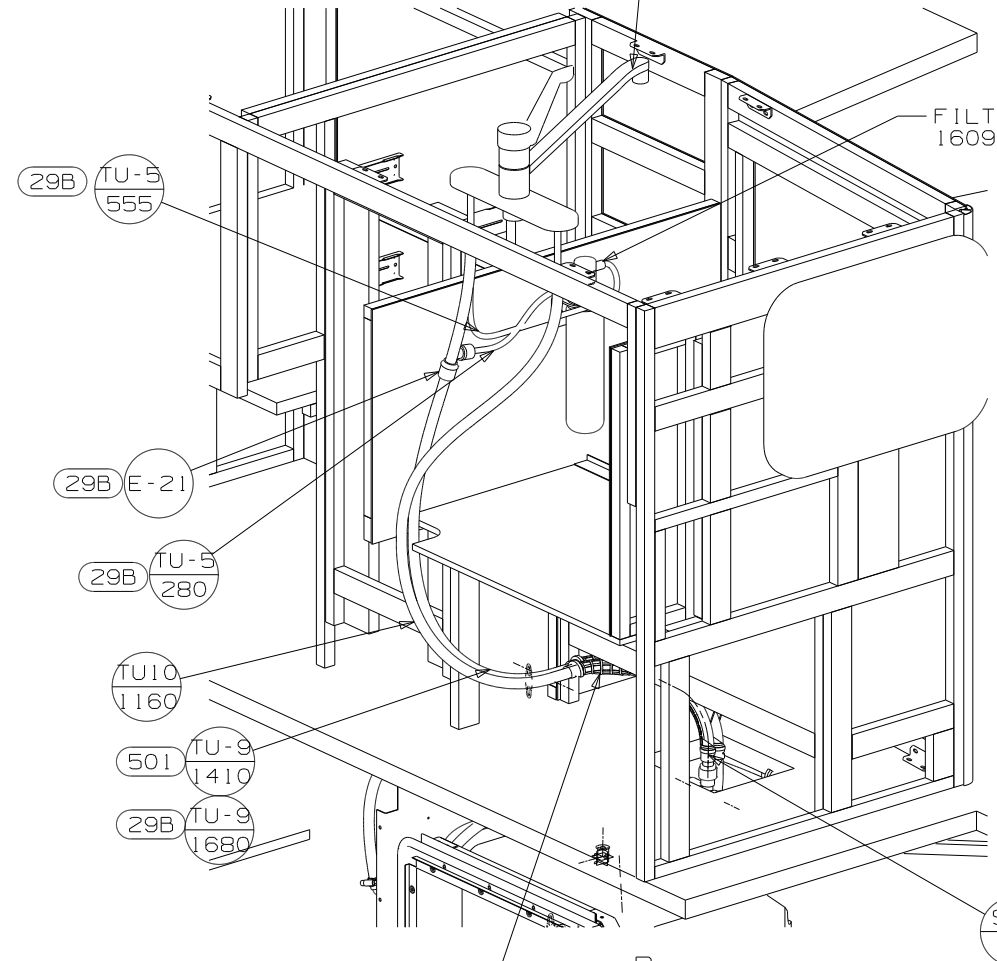
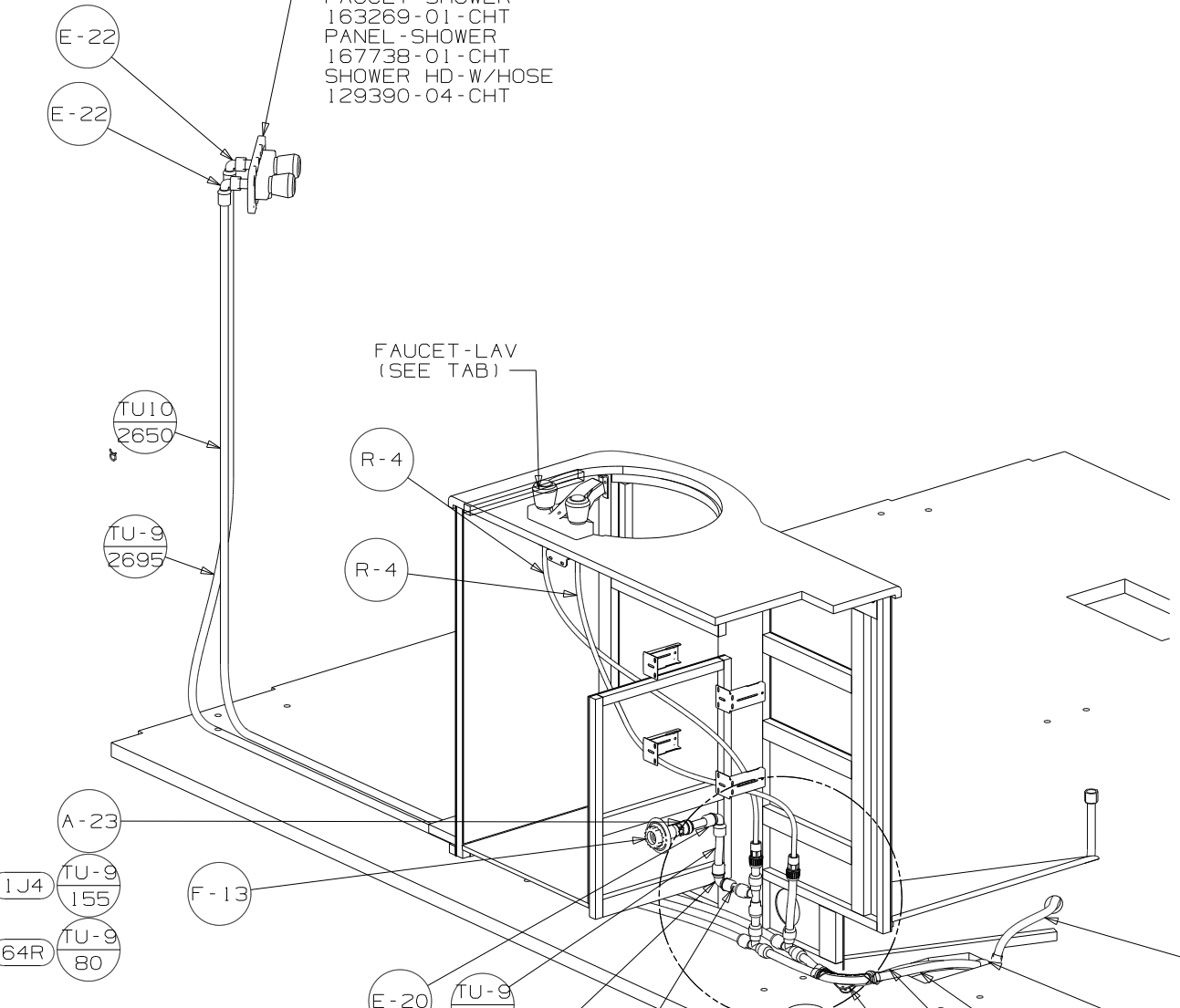
(X-X)
FOR
WATER
CALLOUTS
SEE DWG NO
116230-01-000

FAUCET - SHOWER
163269-01-CHT
PANEL - SHOWER
167738-01-CHT
SHOWER HD-W/HOSE
129390-04-CHT

FAUCET - GALLEY, SGL
149164-01-CHT

FILTER-KIT
160946-03-000 (29B)

FAUCET-LAV
(SEE TAB)



DETAIL K
OR
DETAIL R
VIEW A

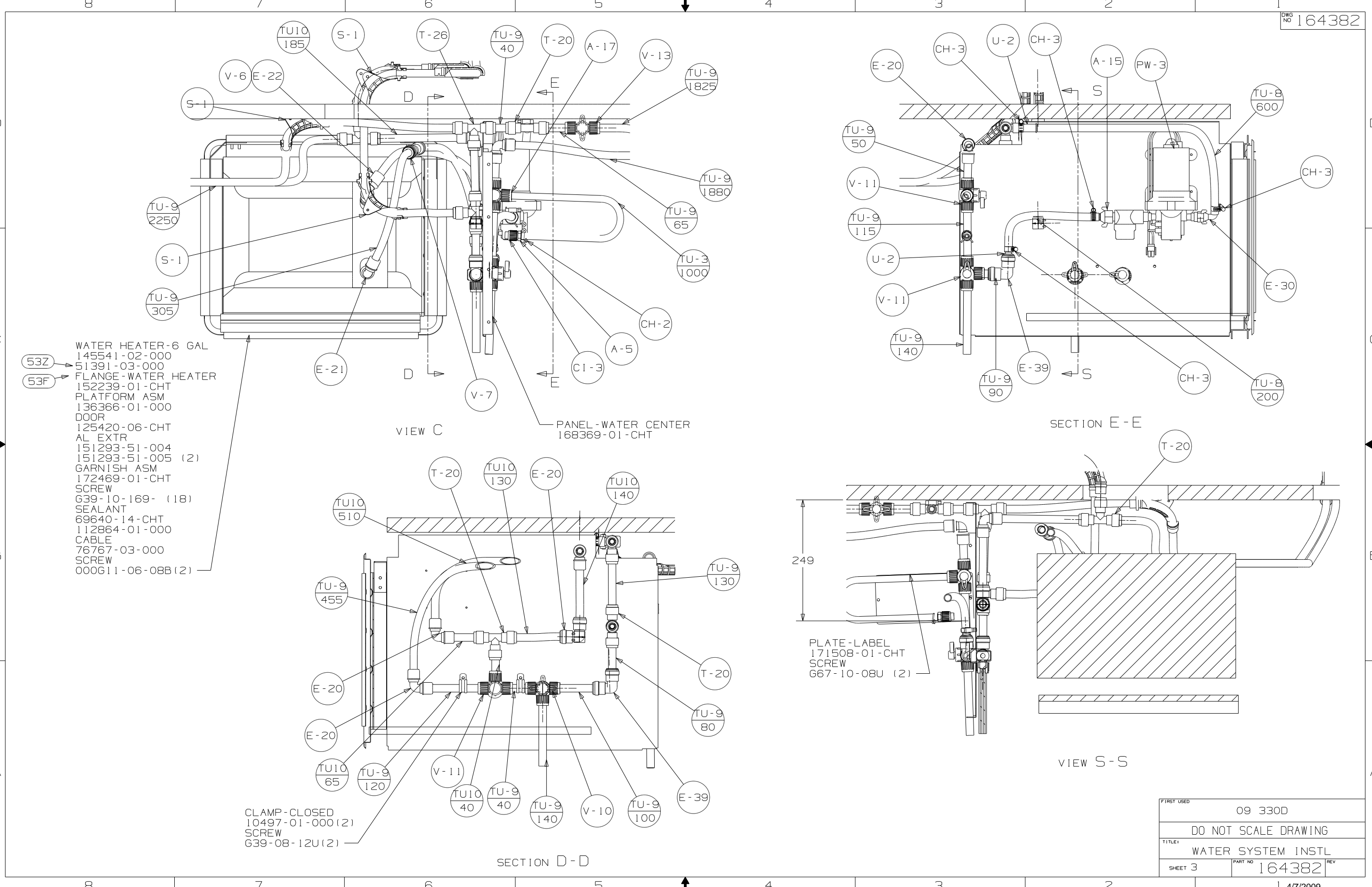
COMPARTMENT ASM-SHOWER
64T 155264-05-XXX
64V 155264-06-XXX

VIEW B

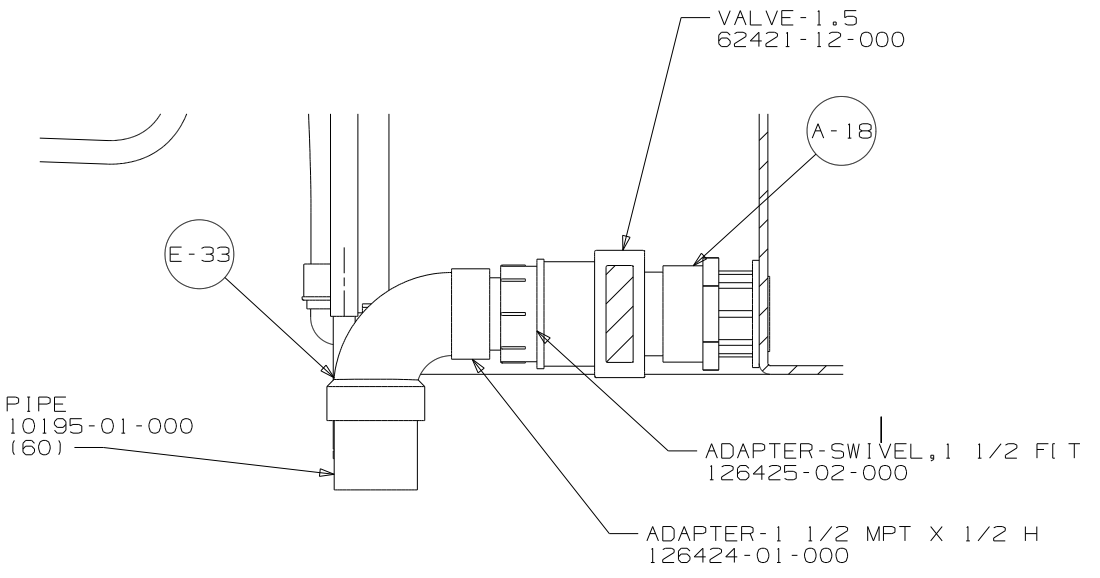
DETAIL K (1J4)

DETAIL R (64R)

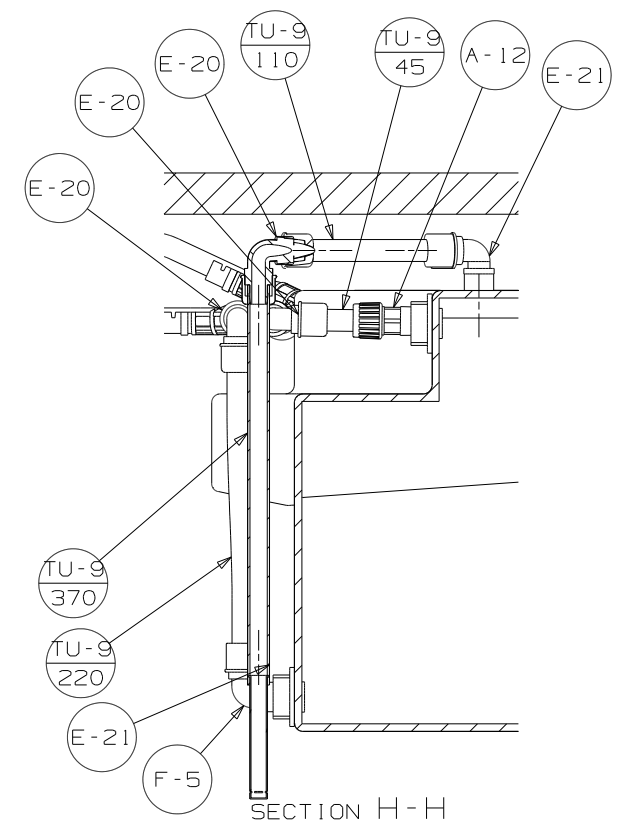
FIRST USED	09 330D
DO NOT SCALE DRAWING	
TITLE:	WATER SYSTEM INSTL
SHEET 2	PART NO 164382 REV
1 4/7/2009	



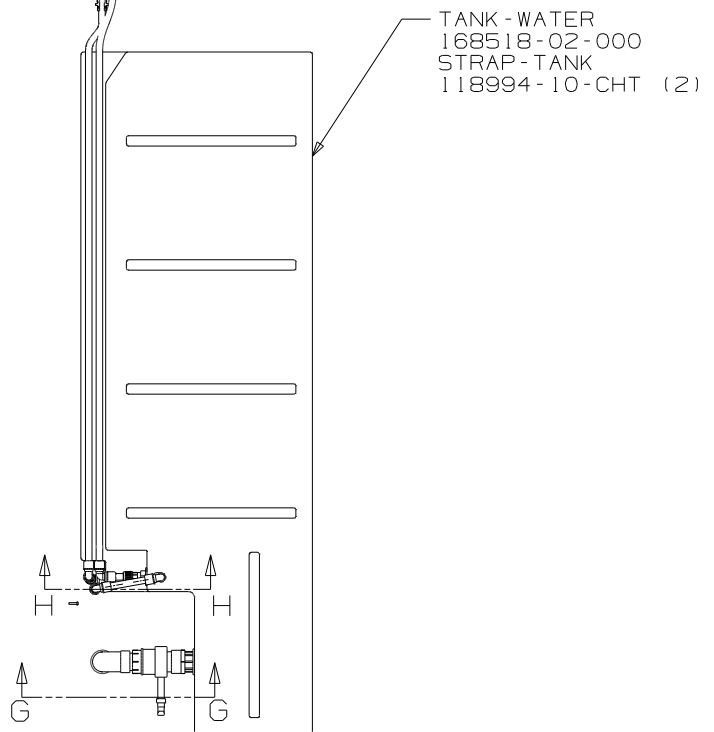
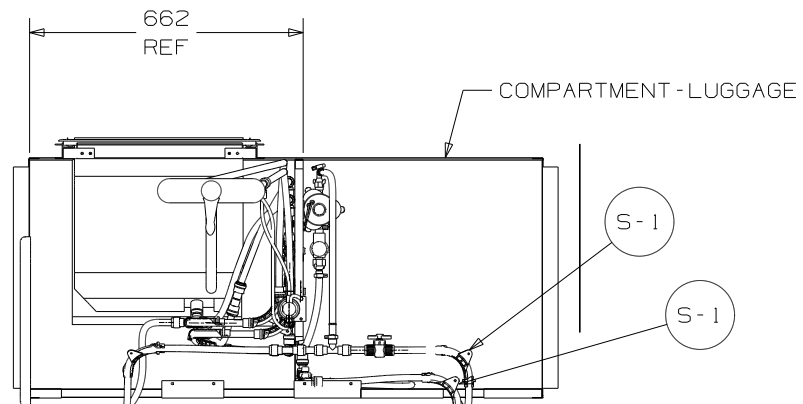
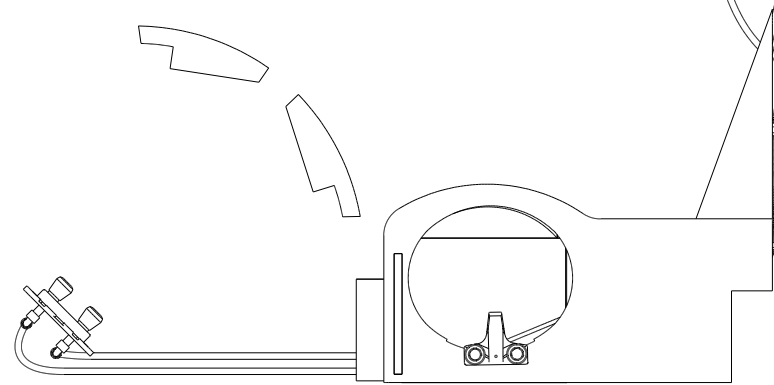
FIRST USED	09 330D
TITLE	DO NOT SCALE DRAWING
TITLE	WATER SYSTEM INSTL
SHEET 3	PART NO 164382 REV



SECTION G-G



SECTION H-H



FIRST USED	09 330D
DO NOT SCALE DRAWING	
TITLE:	WATER SYSTEM INSTL
SHEET 4	PART NO 164382 REV