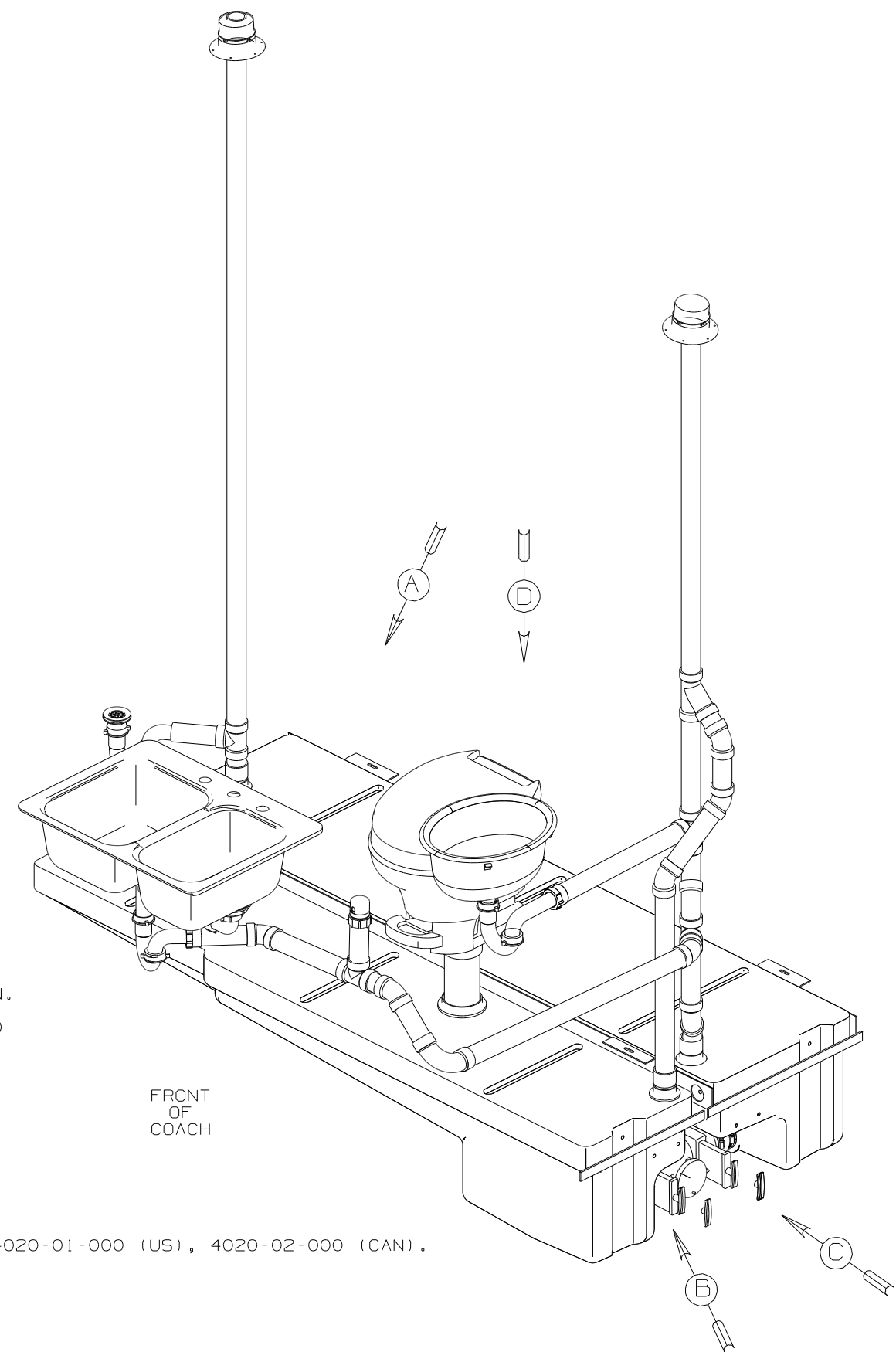


DWG NO	CRADLE ASM	CRADLE ASM	BOLT
164674-01	139596-01-CHT	139597-01-CHT	000C18-05-40A
164674-02	139596-04-CHT	139597-03-CHT	---

RELEASE	REV DATE	DWG NO
A		164674
REV ZONE	REVISION RECORD	DATE
		DFTR-0016

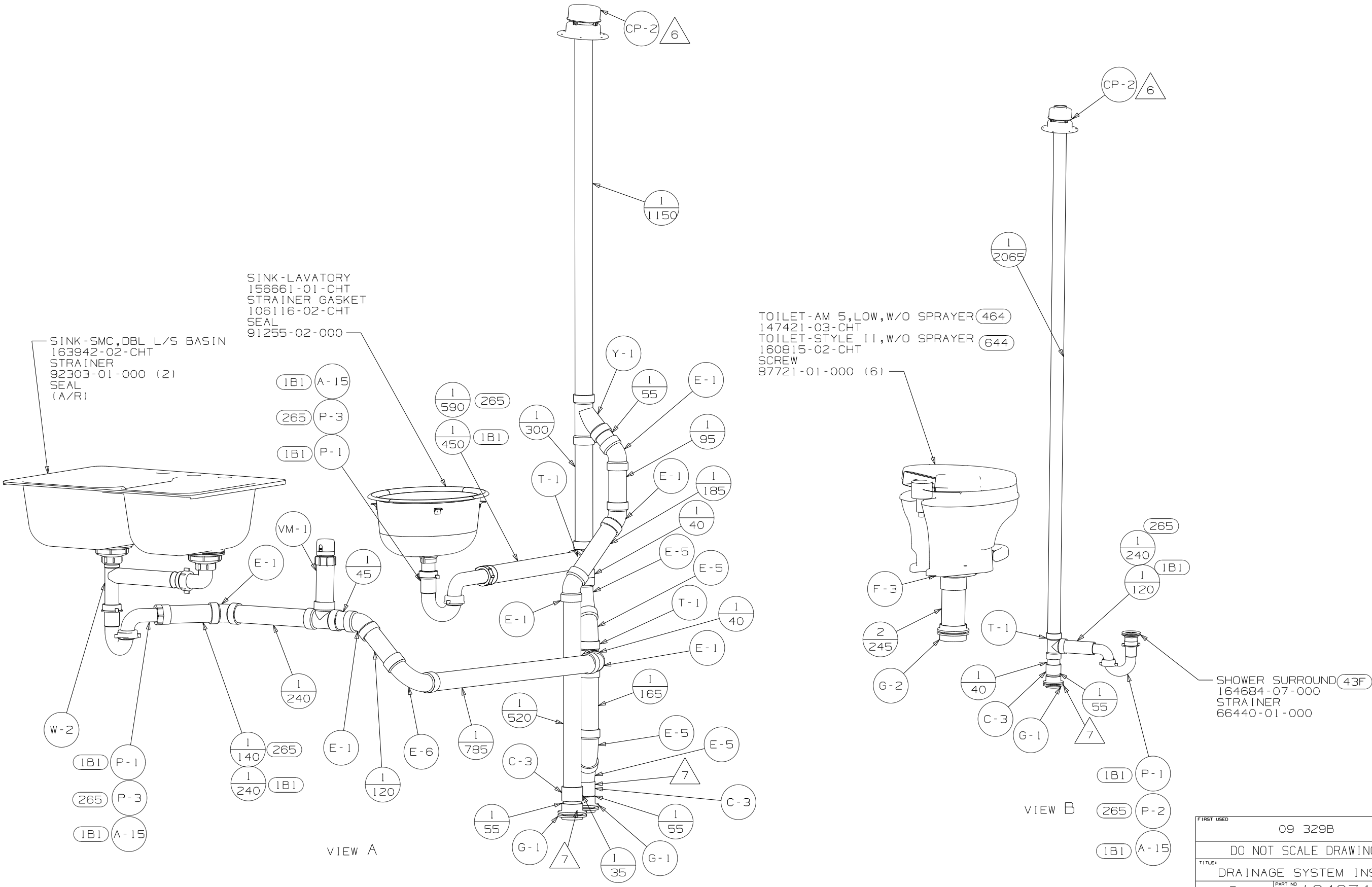


- NOTES:
9. SEE WIRING INSTL-BODY, 12V FOR ELECTRICAL CONNECTION.
  8. SECURE PIPES TO CABINET USING WIRE TIE 108046-02-000 AND SCREW G67-10-12B.
  7. SECURE VENT TO FLOOR WITH BRACKET 136878-01-CHT CLAMP 62401-02-000, SCREW G67-10-12B.
  6. VENT PIPE MUST PROJECT 51 MIN AND 64 MAX ABOVE ROOF FOR PROPER FIT AND FUNCTION.
  5. SEAL AROUND SHOWER WITH SILICONE.
  4. INSTALL PER MANUFACTURER'S LABEL.
  3. ALL PIPE AND FITTINGS TO BE ASSEMBLED WITH SOLVENT 4020-01-000 (US), 4020-02-000 (CAN).
  2. SLOPE OF TRAP ARM MUST BE 6 PER 305mm.
  1. SLOPE OF HORIZONTAL PIPING TO BE MIN 6 PER 305 mm.

- (1B1) CODES/STANDARDS-USA
- (265) CODES/STANDARDS-CSA, CMVSS
- (43F) SHOWER SURROUND
- (464) TOILET
- (644) GREAT ASLASKAN RENTAL PKG

<b>WINNEBAGO</b>		COPYRIGHT 2009 WINNEBAGO INDUSTRIES, INC.	
DFTR	ORIG. DATE	ALL DIMENSIONS ARE IN MILLIMETERS	
CHKR		FIRST USED	
P.E.		09 329B	
M.E.		UNSPECIFIED TOLERANCES ARE:	
DSNR		MATERIAL:	
		WHOLE DIM (X)	: 3
		ONE-PLACE (X.X)	:
		TWO-PLACE (X.XX)	:
		ANGLE	:
		THIRD ANGLE PROJECTION	
DO NOT SCALE DRAWING			
TITLE: DRAINAGE SYSTEM INSTL			
SHEET 1 OF 3	PART NO	164674	REV

(X-X)  
FOR  
DRAINAGE  
CALLOUTS  
SEE DWG NO  
116229-01-000



SINK-SMC, DBL L/S BASIN  
 163942-02-CHT  
 STRAINER  
 92303-01-000 (2)  
 SEAL  
 (A/R)

SINK-LAVATORY  
 156661-01-CHT  
 STRAINER GASKET  
 106116-02-CHT  
 SEAL  
 91255-02-000

TOILET-AM 5, LOW, W/O SPRAYER (464)  
 147421-03-CHT  
 TOILET-STYLE 11, W/O SPRAYER (644)  
 160815-02-CHT  
 SCREW  
 87721-01-000 (6)

SHOWER SURROUND (43F)  
 164684-07-000  
 STRAINER  
 66440-01-000

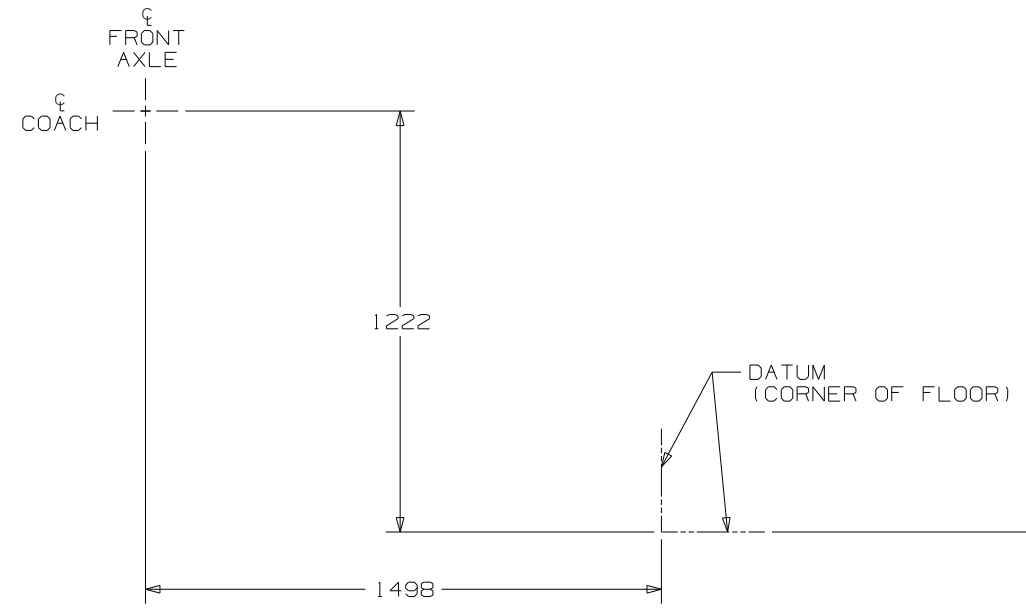
VIEW A

VIEW B

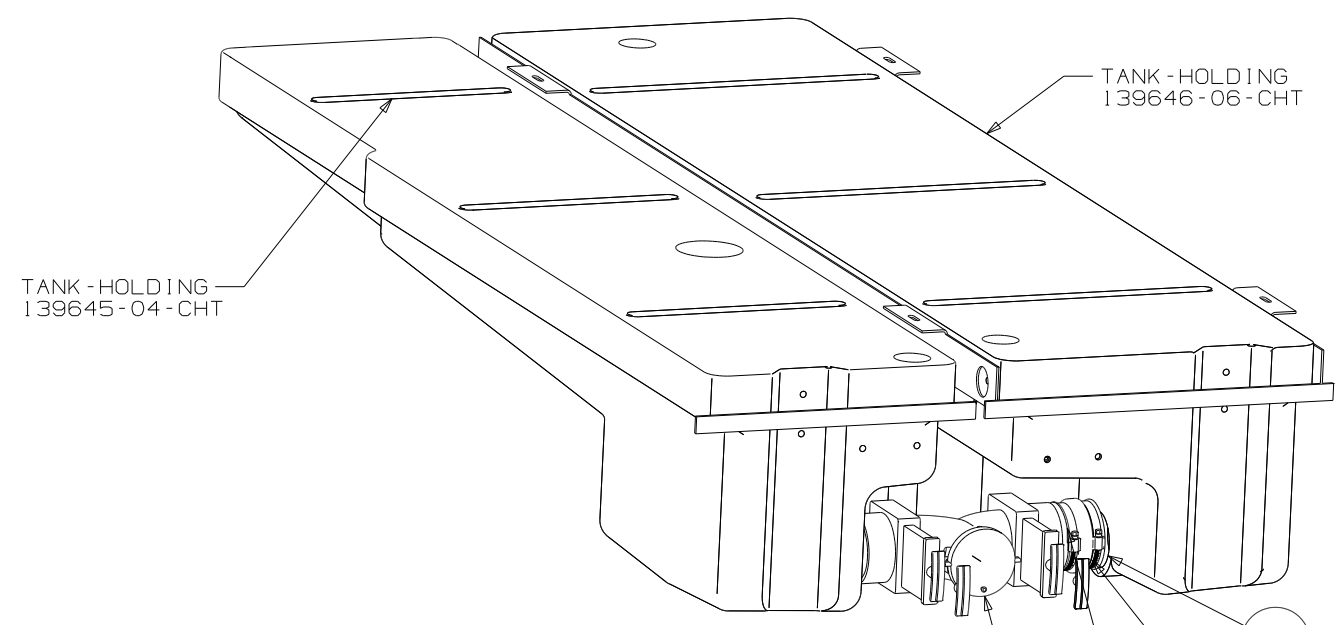
FIRST USED	09 329B	
TITLE	DO NOT SCALE DRAWING	
	DRAINAGE SYSTEM INSTL	
SHEET 2	PART NO	164674
	REV	1 9/25/2009

CRADLE ASM  
(SEE TAB)  
BOLT  
(SEE TAB) (4)  
NUT  
D14-05-00B (4)

CRADLE ASM  
(SEE TAB)  
BOLT  
(SEE TAB) (4)  
NUT  
D14-05-00B (4)

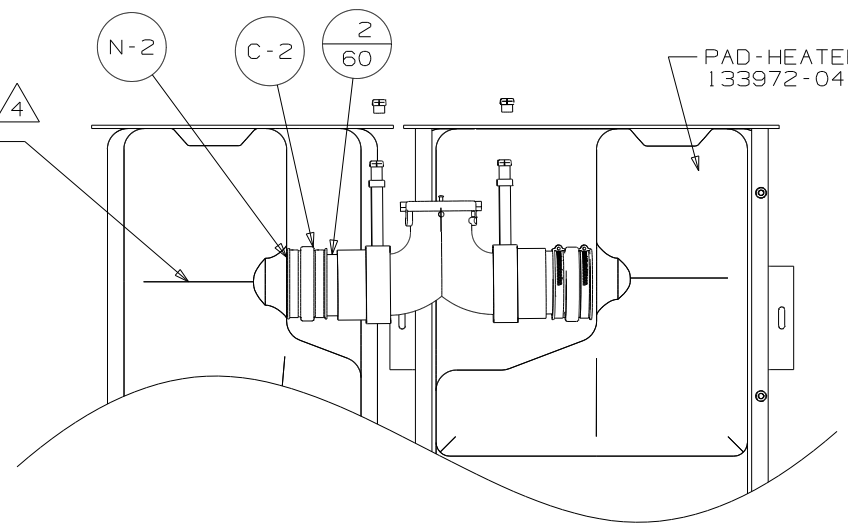


VIEW D

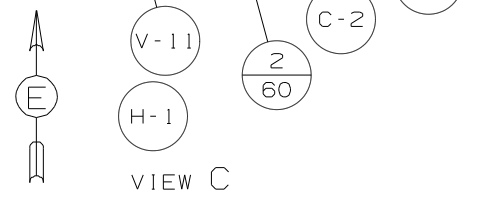


PAD-HEATER  
133972-04-000

PAD-HEATER  
133972-04-000



VIEW E

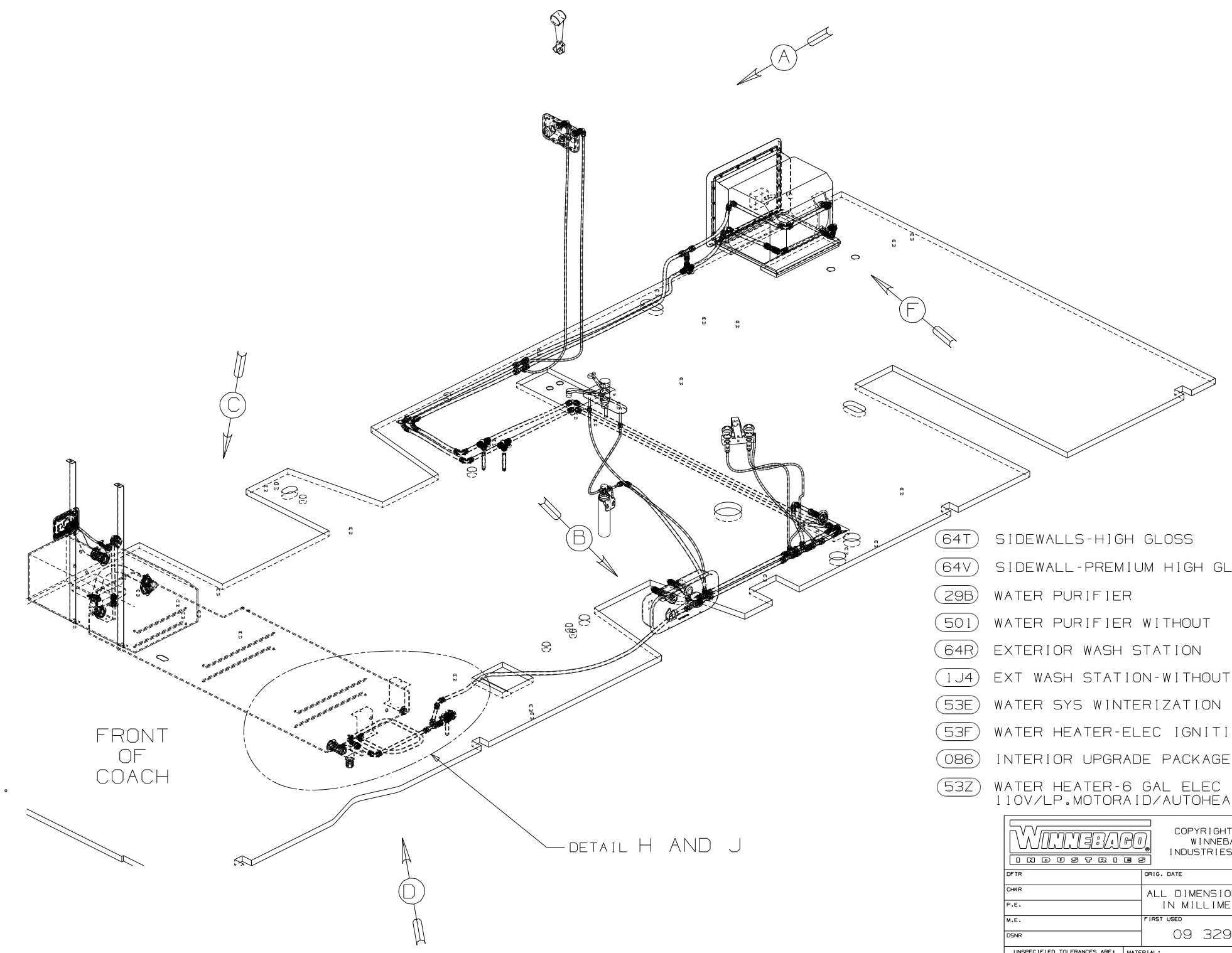


VIEW C

FIRST USED	09 329B	
TITLE	DO NOT SCALE DRAWING	
	DRAINAGE SYSTEM INSTL	
SHEET 3	PART NO	REV
	164674	

DWG NO	TOILET
164675-01	148886-01-CHT
164675-02	148886-03-CHT

RELEASE	REV DATE	DWG NO
	A	164675
REV ZONE	REVISION RECORD	DATE
		DFT-016



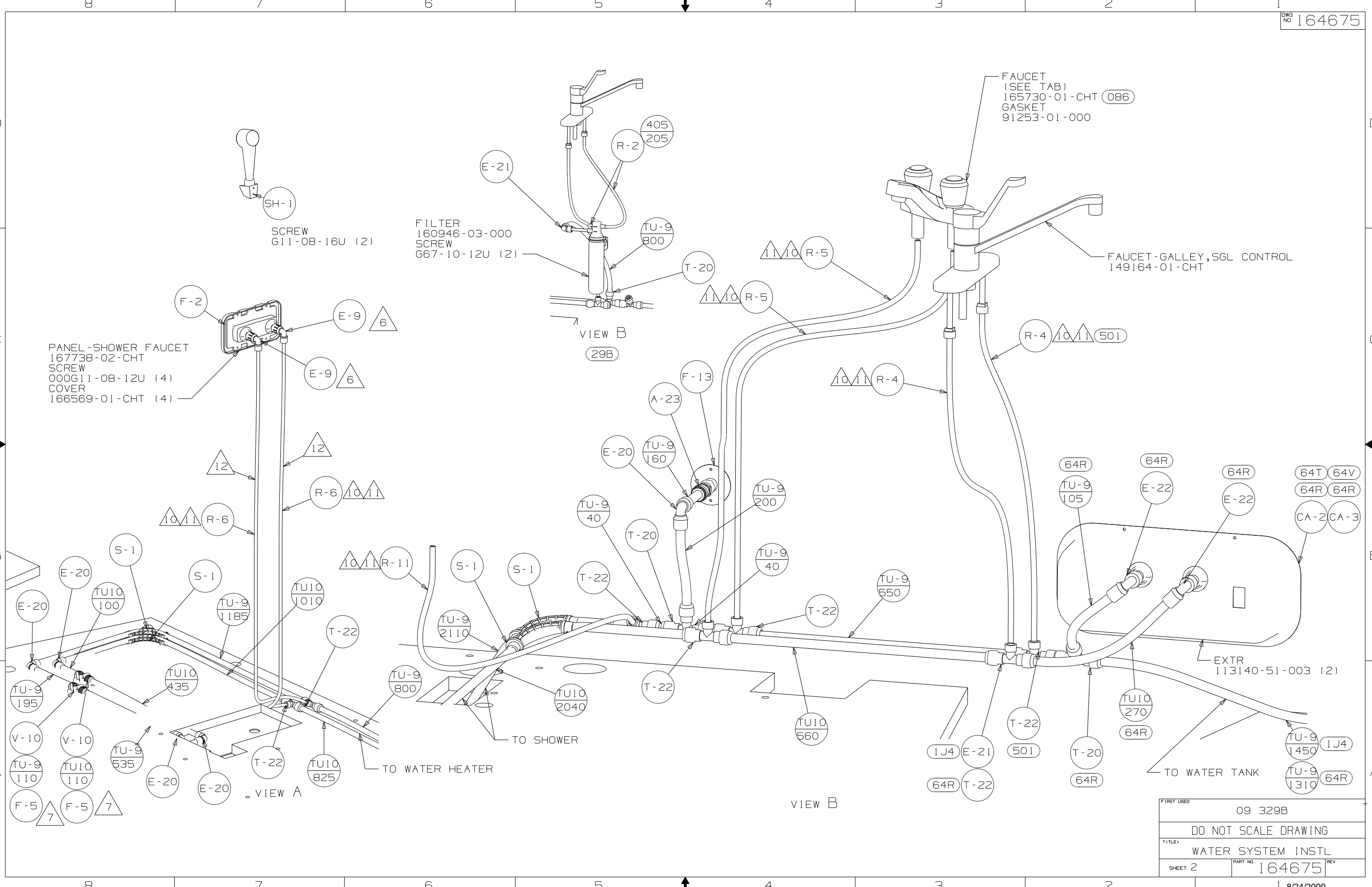
- 12 ADD PIPE WRAP (LADDER SCRAP) 110157-02-000 INSULATION, OR CARPET PAD (SCRAP) 75233-06-000.
- 11 LABEL HOT AND COLD SUPPLY LINES.
- 10 TAPE FITTING TO LINE BEFORE CABINET SET TO PREVENT FITTING FROM MOVING.
- 9 BOLTS ON FRONT SIDE OF WATER TANK ARE TO BE INSTALLED WITH HEAD OF BOLT ON TOP SIDE OF FLOOR.
- 8 ATTACH WASHER-PLASTIC 87080-13 WITH TAPE-DOUBLE 123816-03 ON BOTTOM SIDE OF LOWER FLOOR.
- 7 ATTACH WASHER-PLASTIC 87080-11 WITH TAPE-DOUBLE 123816-03 ON BOTTOM SIDE OF COMPARTMENT.
- 6 ADD TEFLON TAPE 10405-03-000.
- 5 ADD TEFLON TAPE 10405-02-000.
- 4 ADD TEFLON TAPE 10405-01-000.

- 3. ALL TUBING TO BE SECURED AT 1200 INTERVALS MAXIMUM WITH CLAMP 10495-01-000 AND SCREW G67-10-12B OR EQUIVALENT.
- 2. TUBING TO BE INSTALLED WITH SUFFICIENT SLOPE TO PROVIDE DRAINAGE TO NEAREST VALVE.
- 1. PLASTIC FITTINGS TO BE SEALED WITH SEALANT 84456-01-000.

- 64T SIDEWALLS-HIGH GLOSS
- 64V SIDEWALL-PREMIUM HIGH GLOSS
- 29B WATER PURIFIER
- 50I WATER PURIFIER WITHOUT
- 64R EXTERIOR WASH STATION
- 1J4 EXT WASH STATION-WITHOUT
- 53E WATER SYS WINTERIZATION PKG
- 53F WATER HEATER-ELEC IGNITION
- 086 INTERIOR UPGRADE PACKAGE
- 53Z WATER HEATER-6 GAL ELEC IGN/110V/LP.MOTORAID/AUTOHEATER

<b>WINNEBAGO</b>		COPYRIGHT 2009 WINNEBAGO INDUSTRIES, INC.	
DFT	ORIG. DATE	ALL DIMENSIONS ARE IN MILLIMETERS	
CHKR			
P.E.			
M.E.	FIRST USED	09 329B	
DSNR			
UNSPECIFIED TOLERANCES ARE:		MATERIAL:	
WHOLE DIM (X)	: 7		
ONE-PLACE (X.X)	:		
TWO-PLACE (X.XX)	:		
ANGLE	:		
THIRD ANGLE PROJECTION			
DO NOT SCALE DRAWING			
TITLE: WATER SYSTEM INSTL			
SHEET 1 OF 5	PART NO	164675	REV
REF:	1 8/24/2009		

(X-X)  
FOR WATER CALLOUTS SEE DWG NO 116230-01-000



SCREW  
G11-08-16U (2)

FILTER  
160946-03-000  
SCREW  
G67-10-12U (2)

FAUCET  
(SEE TAB)  
165730-01-CHT (086)  
GASKET  
91253-01-000

PANEL-SHOWER FAUCET  
167738-02-CHT  
SCREW  
000G11-08-12U (4)  
COVER  
166569-01-CHT (4)

FAUCET-GALLEY, SGL CONTROL  
149164-01-CHT

VIEW B  
29B

VIEW A

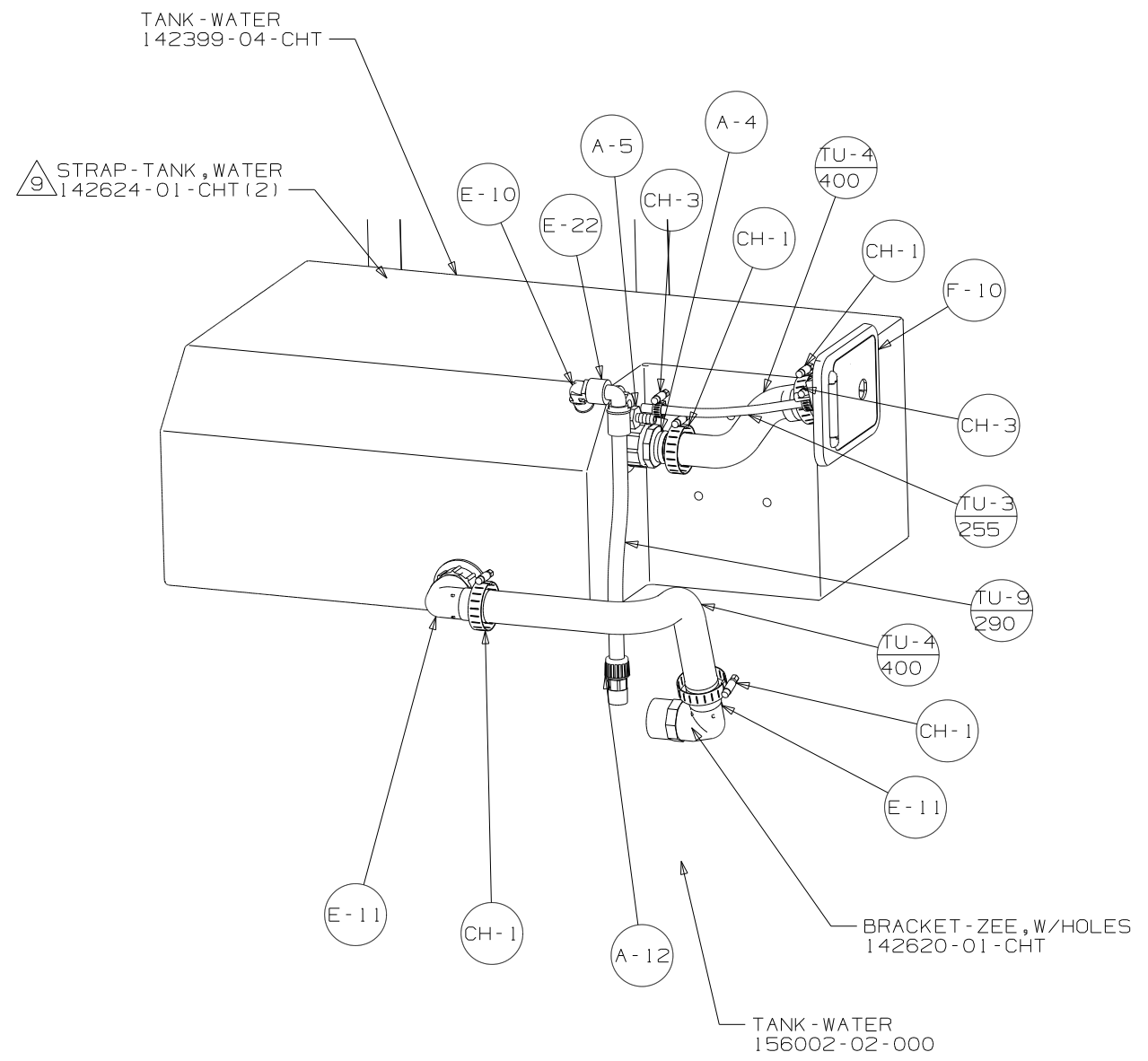
VIEW B

TO SHOWER

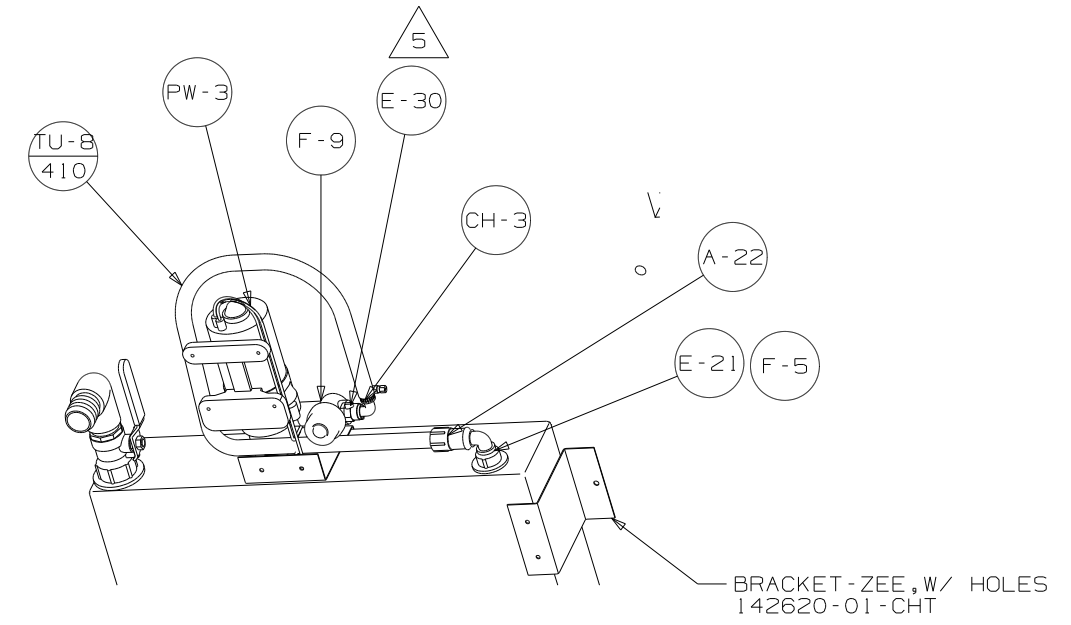
TO WATER HEATER

EXTR  
113140-51-003 (2)

FIRST USED	09 329B		
TITLE:	DO NOT SCALE DRAWING		
	WATER SYSTEM INSTL		
SHEET 2	PART NO	164675	REV

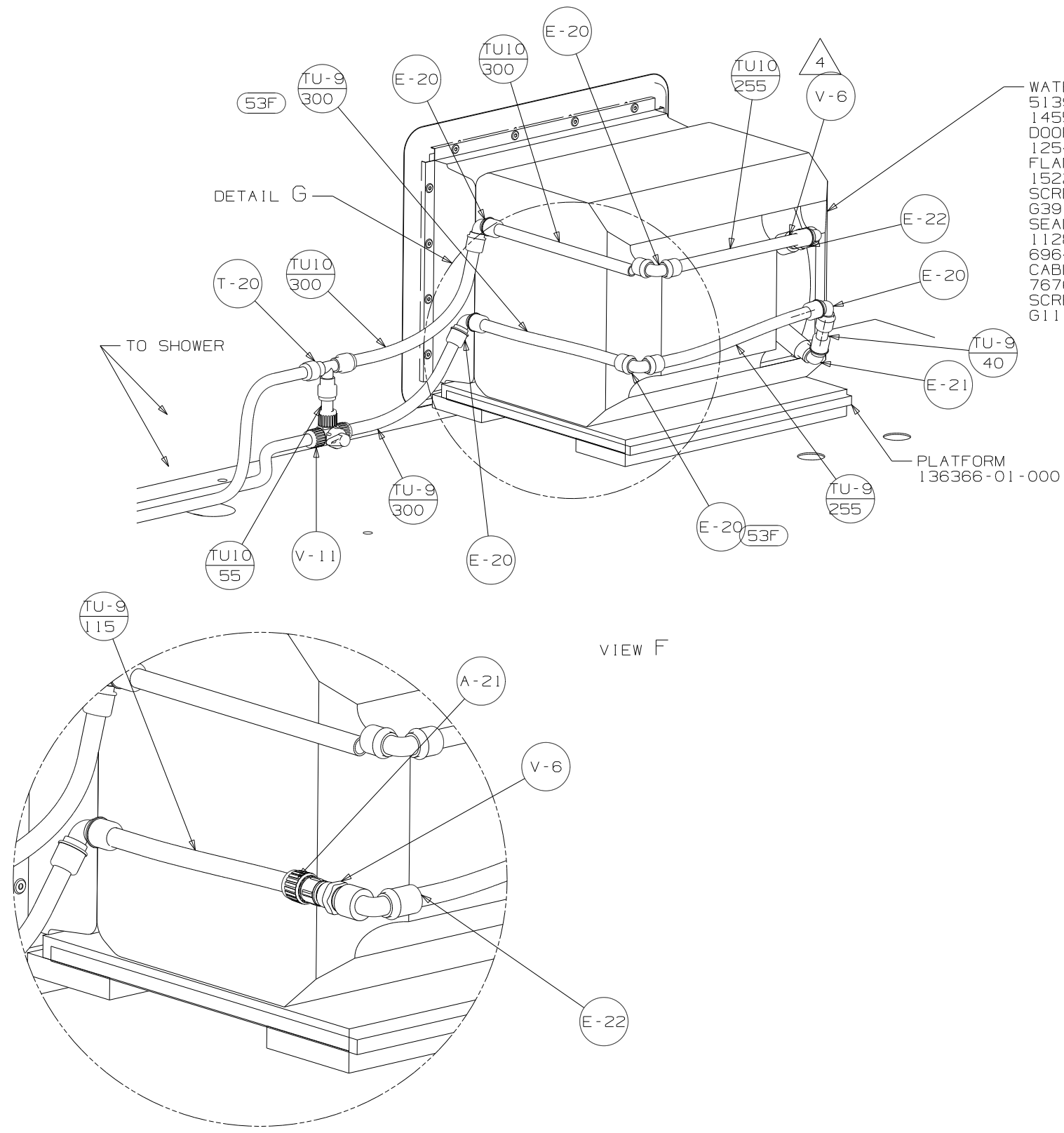


VIEW C  
(FLOOR NOT SHOWN)

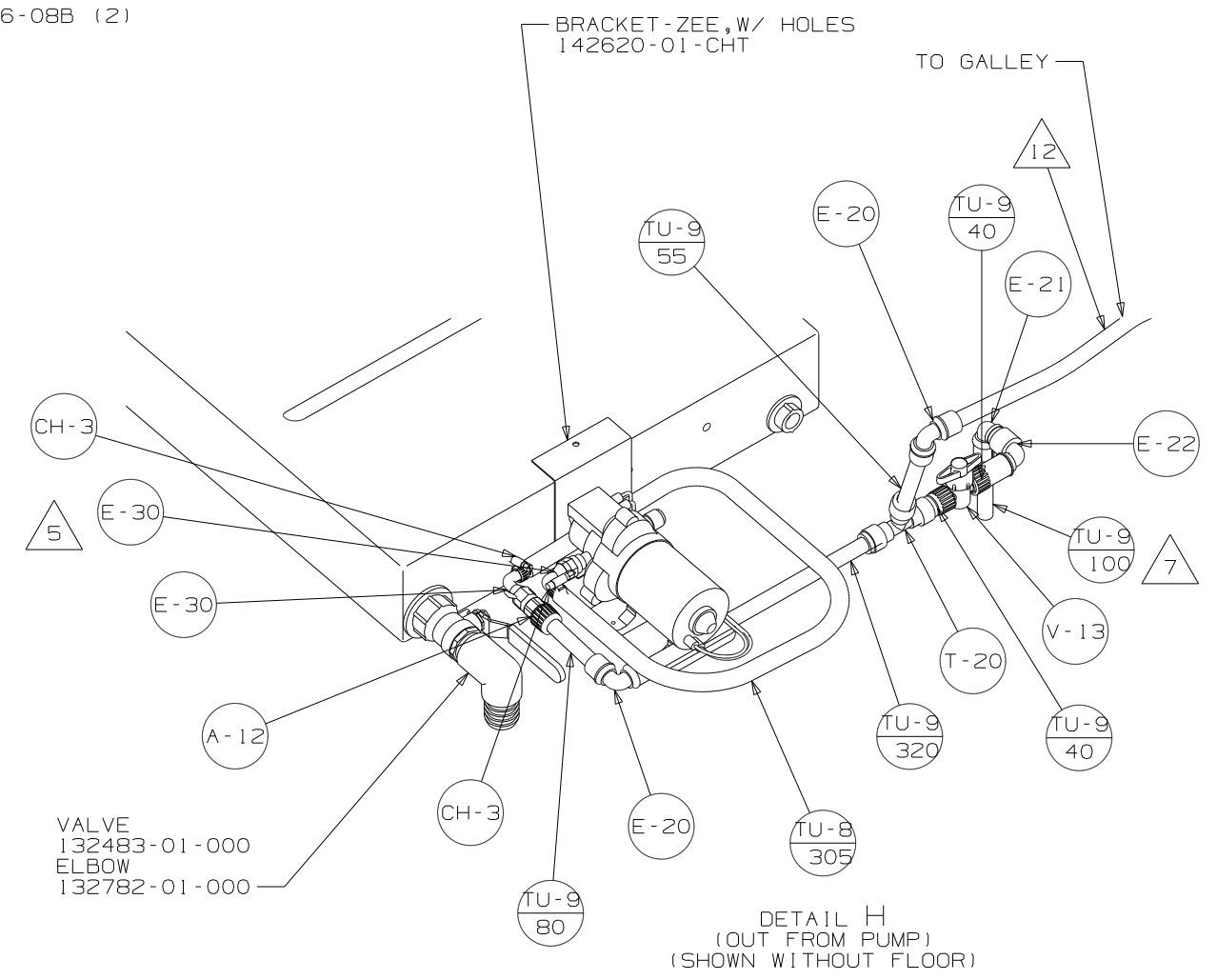


VIEW D  
(FROM TANK TO PUMP)  
(SHOWN FROM BOTTOM)

FIRST USED	09 329B		
TITLE	DO NOT SCALE DRAWING		
TITLE	WATER SYSTEM INSTL		
SHEET 3	PART NO	164675	REV



- WATER HEATER
- 51391-03-000 (53F)
- 145541-02-000 (53Z)
- DOOR
- 125420-06-CHT
- FLANGE-WATER HEATER
- 152239-01-CHT
- SCREW
- G39-10-169 (18)
- SEALANT
- 112867-01-000
- 69640-14-000
- CABLE
- 76767-03-000
- SCREW
- G11-06-08B (2)



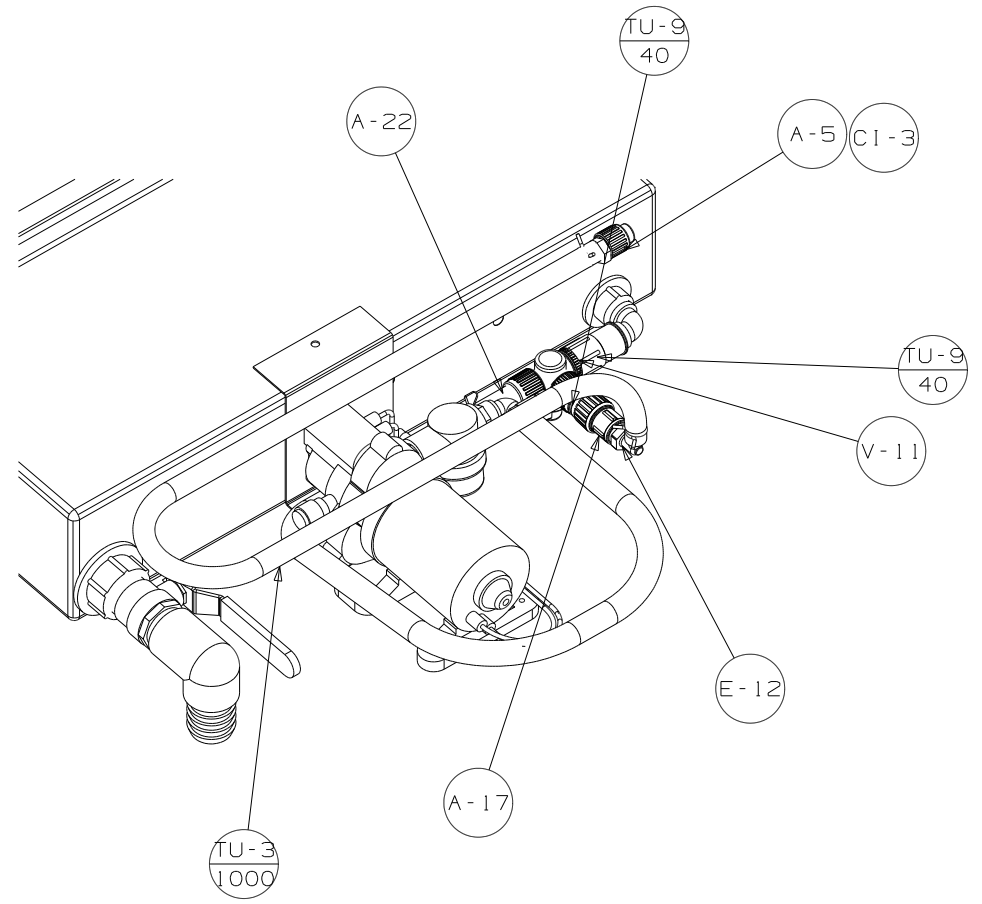
- VALVE
- 132483-01-000
- ELBOW
- 132782-01-000

VIEW F

DETAIL H  
(OUT FROM PUMP)  
(SHOWN WITHOUT FLOOR)

DETAIL G (53Z)

FIRST USED	09 329B
TITLE	DO NOT SCALE DRAWING
TITLE	WATER SYSTEM INSTL
SHEET 4	PART NO 164675 REV



DETAIL J (53E)  
(SHOWN WITHOUT FLOOR)

FIRST USED	09 329B		
TITLE	DO NOT SCALE DRAWING		
	WATER SYSTEM INSTL		
SHEET 5	PART NO	164675	REV