



**DANGER**

**Danger of electrical shock, burns or death.** Always remove all power sources before attempting any repair, service or diagnostic work. Power can be present from shore power, generator, inverter or battery. All power sources must be disabled and secured before performing any service.

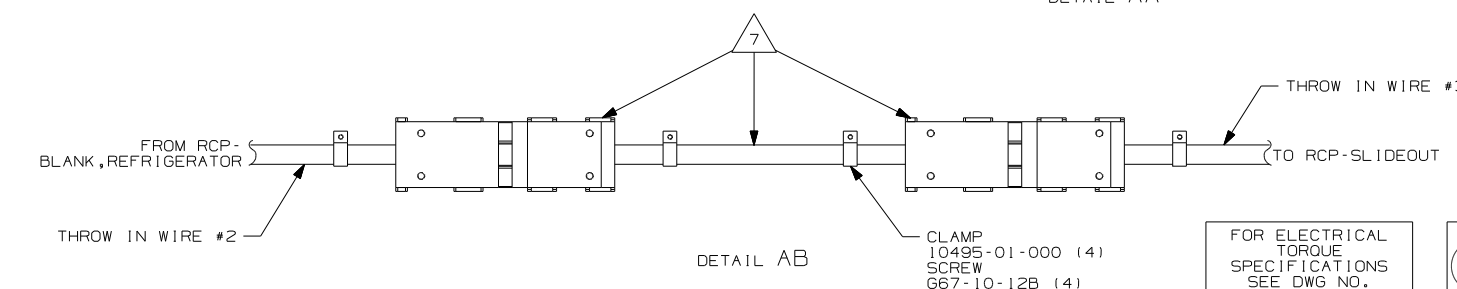
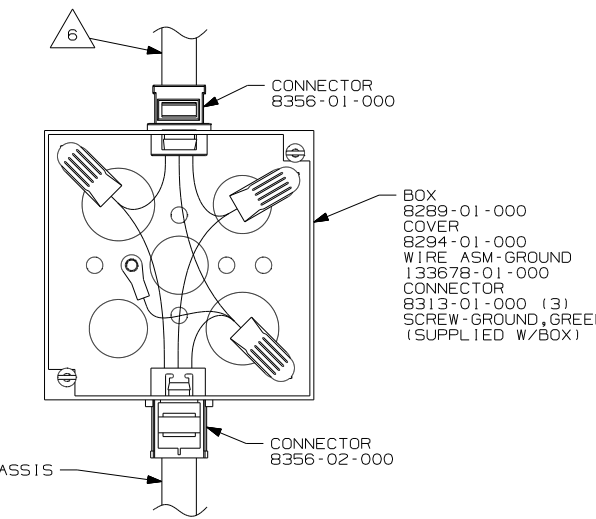
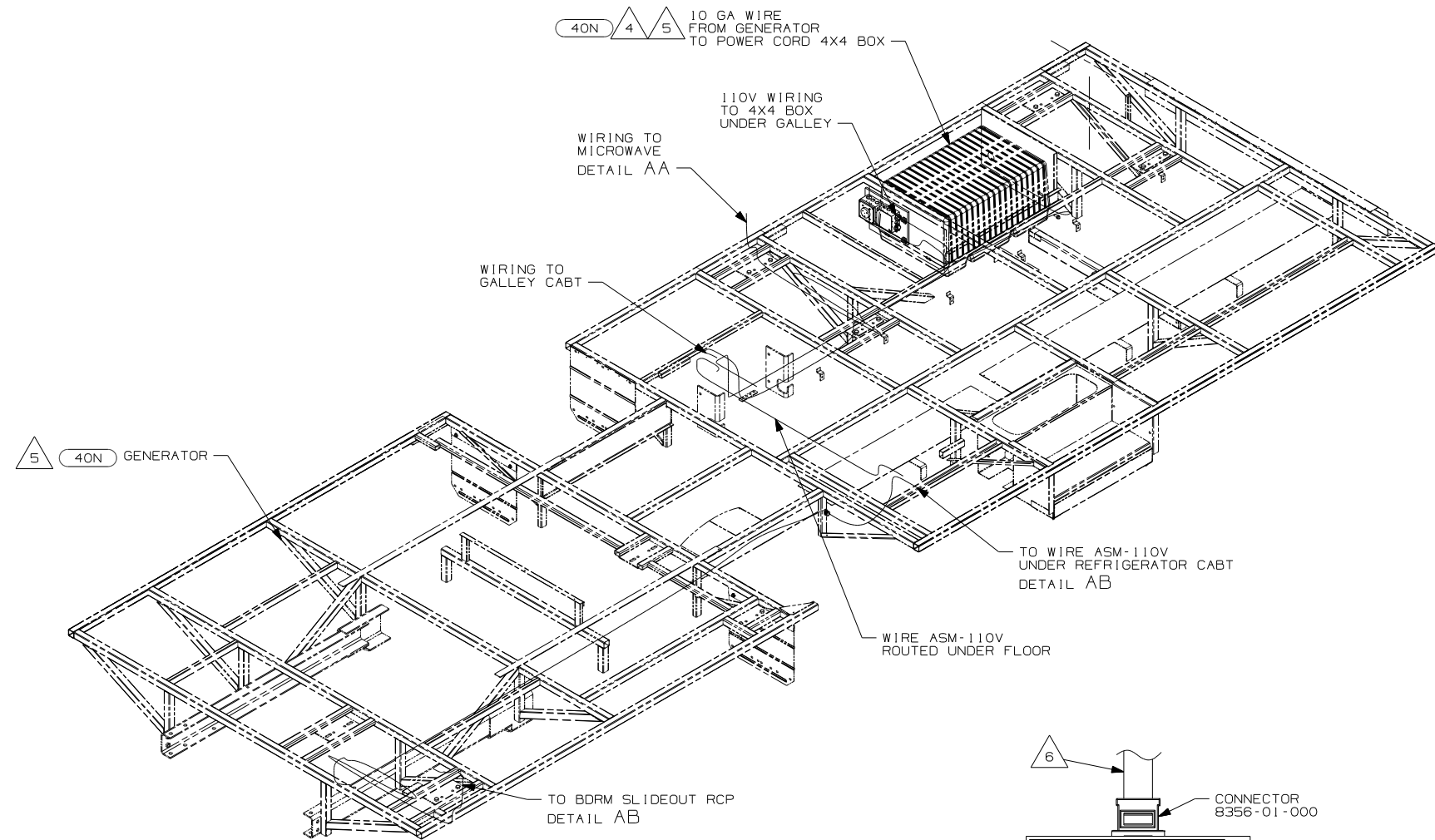


**CAUTION**

If you lack the skills, tools or equipment to perform diagnostic or repair work leave such work to an authorized Winnebago Industries dealer or other qualified shop.

DRAWING NO.	FEATURE
168572-01	-----
168572-11	(1B1) (12D)
168572-15	(265) (12D)

RELEASE	REV DATE	DWG NO
A		168572
REV ZONE	REVISION RECORD	DATE DFR-0R16



- NOTES:
- ALL WIRES TO BE SECURED WITH CLAMP 10495-01-000 OR CLIP 80734-01-000 EVERY 600MM. USE SCREW 667-10-12B UNLESS OTHERWISE SPECIFIED.
  - ALL 110V WIRE ARE TO BE CLAMPED WITH CLAMP 10497-05-000 WITHIN 200MM OF OUTLET BOXES, USE SCREW 667-10-12B.
  - ALL GROUND WIRES TO BE COVERED WITH TUBING 8041-02-000.
- 7 CORD AND CONNECTORS ARE PART OF WIRE ASM-CHASSIS.  
6 WIRE ROUTED IN SIDEWALL.  
5 SEE GENERATOR INSTL. FOR ADDITIONAL INFORMATION.  
4 SEE LOAD CENTER/ATS ASM FOR ADDITIONAL INFORMATION.

- (40N) GEN-4.0KW-ONAN-GAS-MICROLITE
- (12D) ELECTRICAL SYSTEM 30 AMP
- (265) CODES/STANDARDS-CSA-CMVSS
- (1B1) CODES/STANDARDS USA

WINNEBAGO INDUSTRIES, INC. COPYRIGHT 2008

DFTR	ORIG. DATE
CHKR	ALL DIMENSIONS ARE IN MILLIMETERS
P.E.	
M.E.	FIRST USED
DSNR	09 231J

UNSPECIFIED TOLERANCES ARE: MATERIAL:

WHOLE DIM (X)	: 3
ONE-PLACE (X.X)	: 1.5
TWO-PLACE (X.XX)	: 0.50
ANGLE	: 1°

THIRD ANGLE PROJECTION

DO NOT SCALE DRAWING

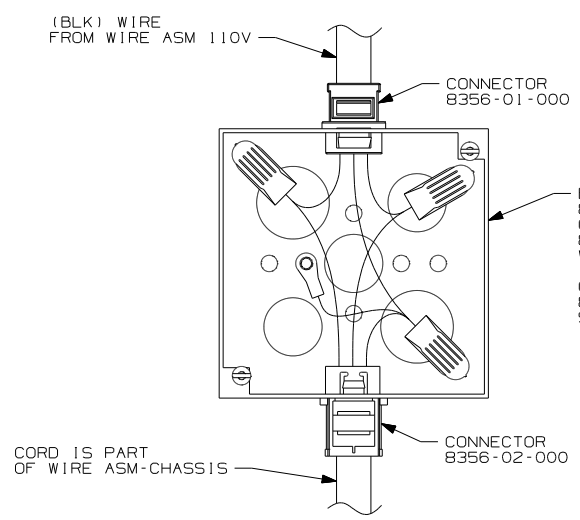
TITLE: WIRING INSTL-BODY, 110V

SHEET 1 OF 3 PART NO 168572 REV

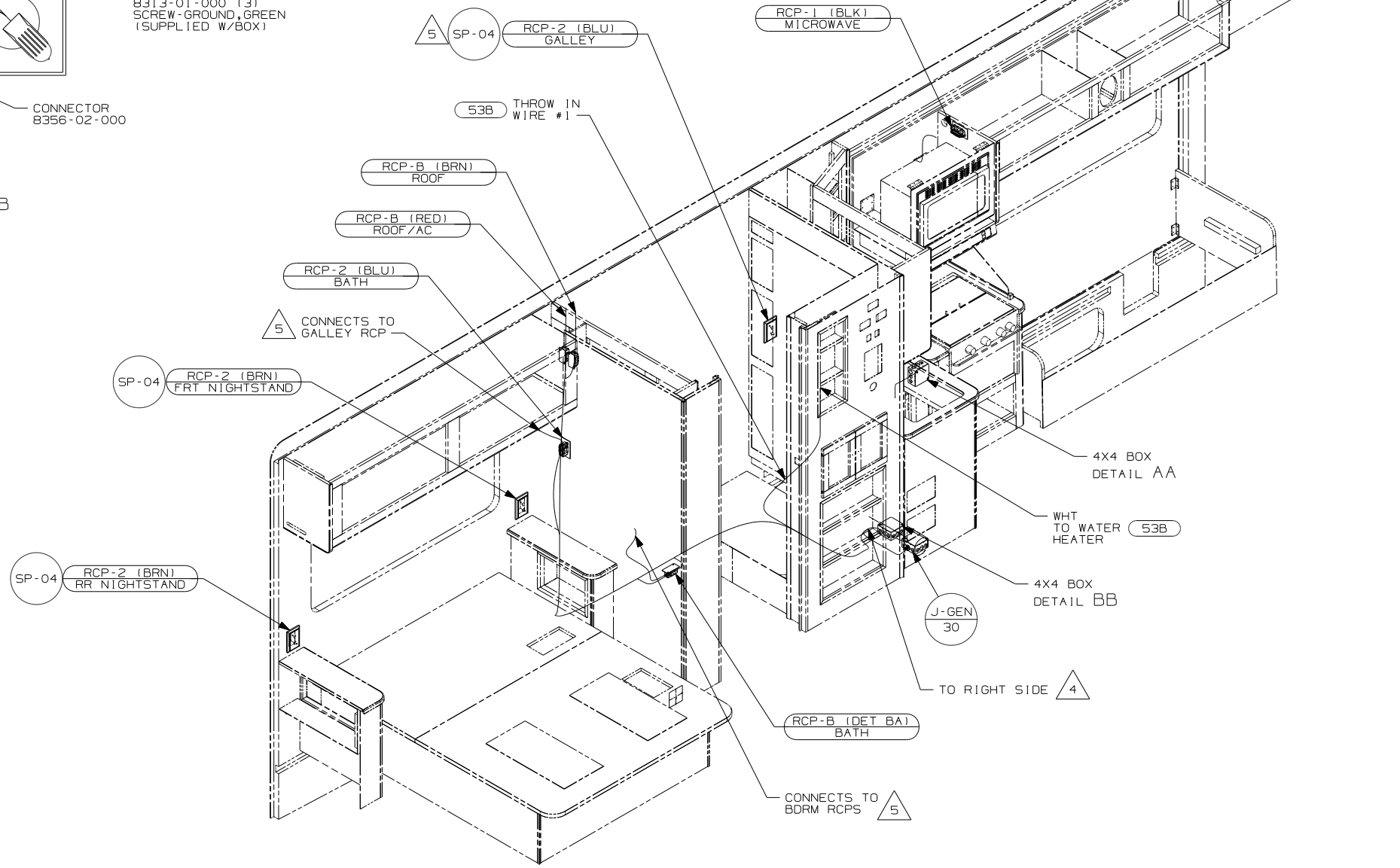
REF: 1 8/11/2008

FOR ELECTRICAL TORQUE SPECIFICATIONS SEE DWG NO. 128783-01-000

(X-X) FOR ELECTRICAL CALLOUTS SEE DWG NO. 121339-01-000



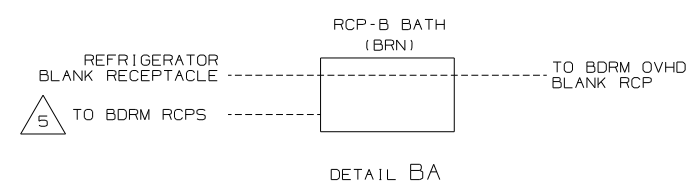
DETAIL BB



- 5 WIRE ROUTED IN SIDEWALL.
- 4 WIRE ROUTED IN FLOOR.

3. ALL GROUND WIRES TO BE COVERED WITH TUBING 8041-02-000.
2. ALL WIRING TO BE SECURED WITHIN 200MM OF OUTLET BOXES.
1. ALL WIRES TO BE SECURED WITH CLAMP 10495-01-000 OR CLIP 80734-01-000 EVERY 600MM. USE SCREW 667-10-12B UNLESS OTHERWISE SPECIFIED.

NOTES:



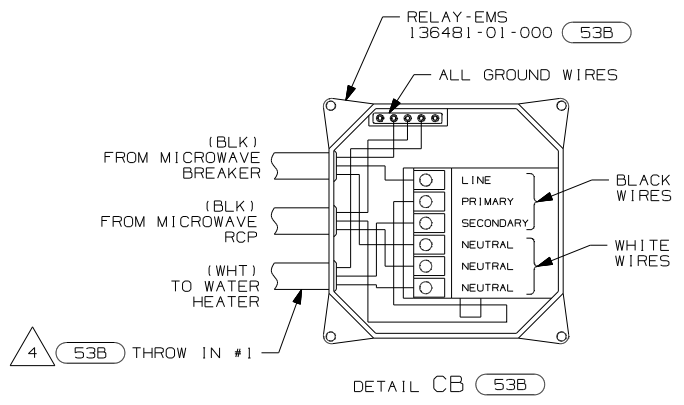
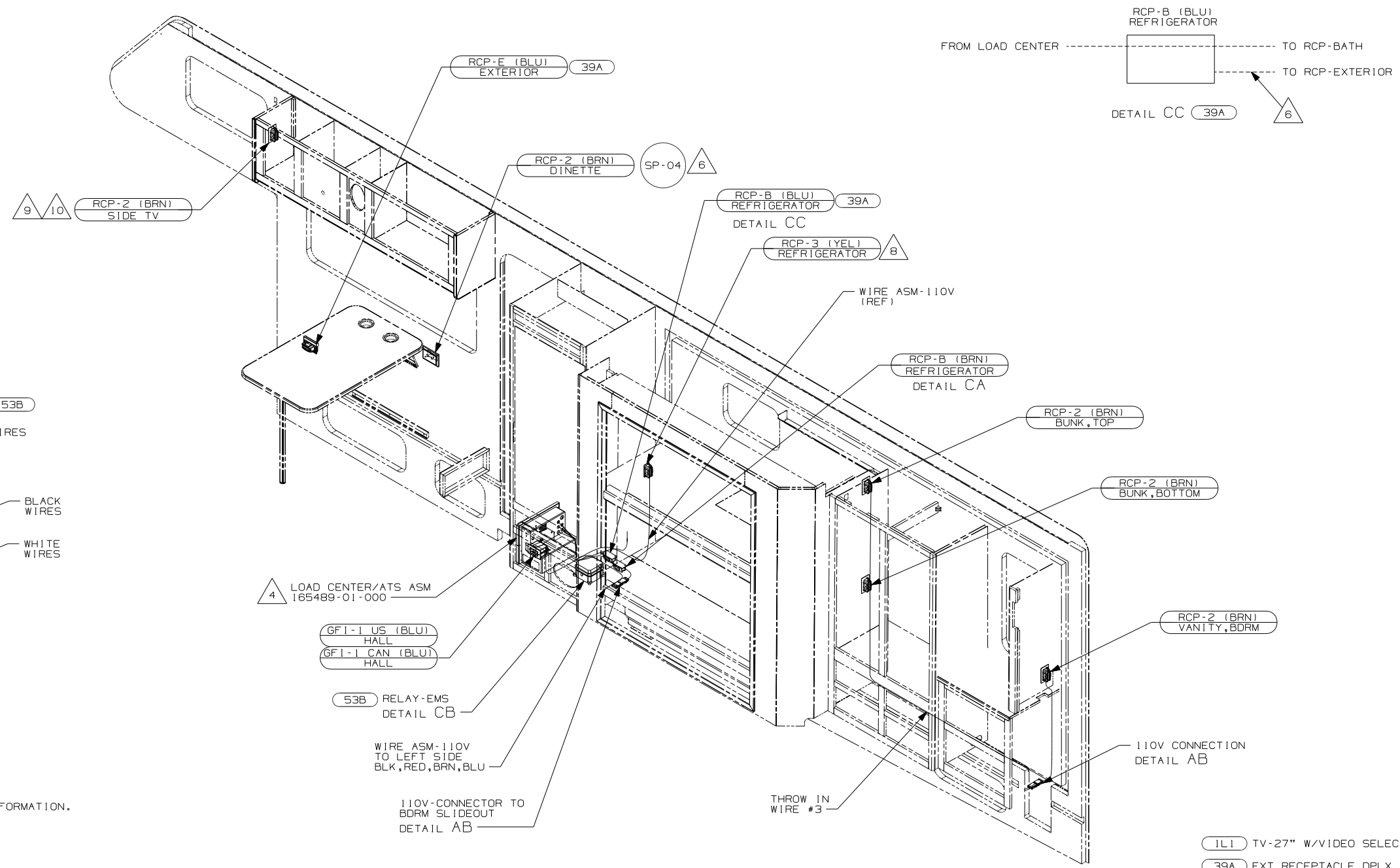
DETAIL BA

FOR ELECTRICAL TORQUE SPECIFICATIONS SEE DWG NO. 128783-01-000

FOR ELECTRICAL CALLOUTS SEE DWG NO. 121339-01-000

- 53B WTR HTR-6GAL ELECTRIC/LP GAS
- 12D ELECTRICAL SYSTEM 30 AMP
- 265 CODES/STANDARDS-CSA/CMVSS
- 1B1 CODES/STANDARDS USA

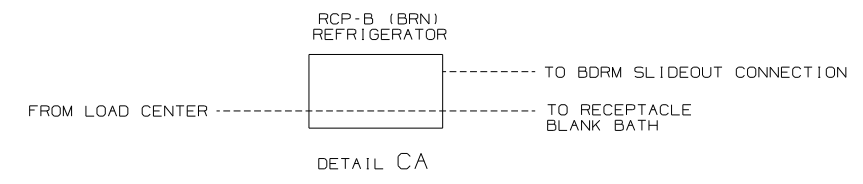
FIRST USED	09 231J
DO NOT SCALE DRAWING	
TITLE:	WIRING INSTL-BODY, 110V
SHEET 2	PART NO 168572 REV



- 10 SEE WIRING INSTL-TV/DVD,SIDE FOR ADDITIONAL INFORMATION.
- 9 NOT USED WITH (ILI)
- 8 LOCATE REFRIGERATOR RCP ON TIEDOWN BRACKET.
- 7 SEE WIRING INSTL-TV/DVD,FRONT FOR ADDITIONAL INFORMATION.
- 6 WIRE ROUTED IN SIDEWALL.
- 5 WIRE ROUTED IN ROOF.
- 4 SEE LOAD CENTER/ATS ASM FOR MORE INFORMATION.

3. ALL GROUND WIRES TO BE COVERED WITH TUBING 8041-02-000.
2. ALL WIRING TO BE SECURED WITHIN 200MM OF OUTLET BOXES.
1. ALL WIRES TO BE CLAMPED WITH CLAMP 10495-01-000 OR CLIP 80734-01-000 EVERY 1200MM. USE SCREW G67-10-12B UNLESS OTHERWISE SPECIFIED.

NOTES:



FOR ELECTRICAL TORQUE SPECIFICATIONS SEE DWG NO. 128783-01-000

FOR ELECTRICAL CALLOUTS SEE DWG NO. 121339-01-000

- (ILI) TV-27" W/VIDEO SELECTION SYS
- (39A) EXT RECEPTACLE DPLX 120VAC
- (53B) WTR HTR-6GAL ELECTRIC/LP GAS
- (12D) ELECTRICAL SYSTEM 30 AMP
- (265) CODES/STANDARDS-CSA/CMVSS
- (1B1) CODES/STANDARDS USA

FIRST USED	09 231J
DO NOT SCALE DRAWING	
TITLE:	WIRING INSTL-BODY, 110V
SHEET 3	PART NO 168572 REV