



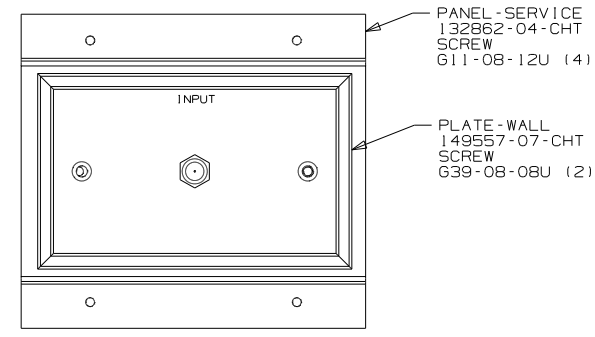
DANGER

Danger of electrical shock, burns or death. Always remove all power sources before attempting any repair, service or diagnostic work. Power can be present from shore power, generator, inverter or battery. All power sources must be disabled and secured before performing any service.

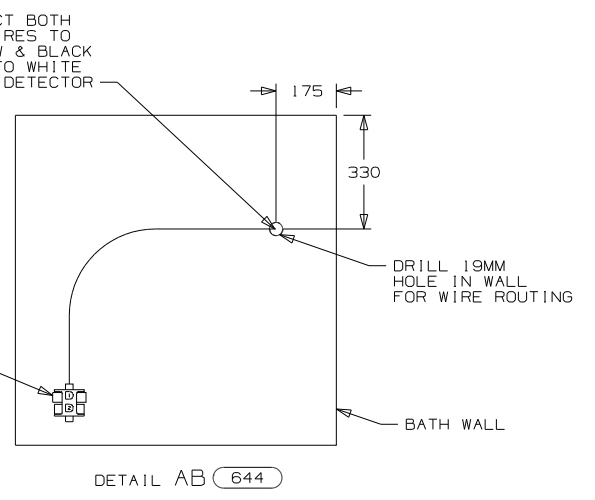
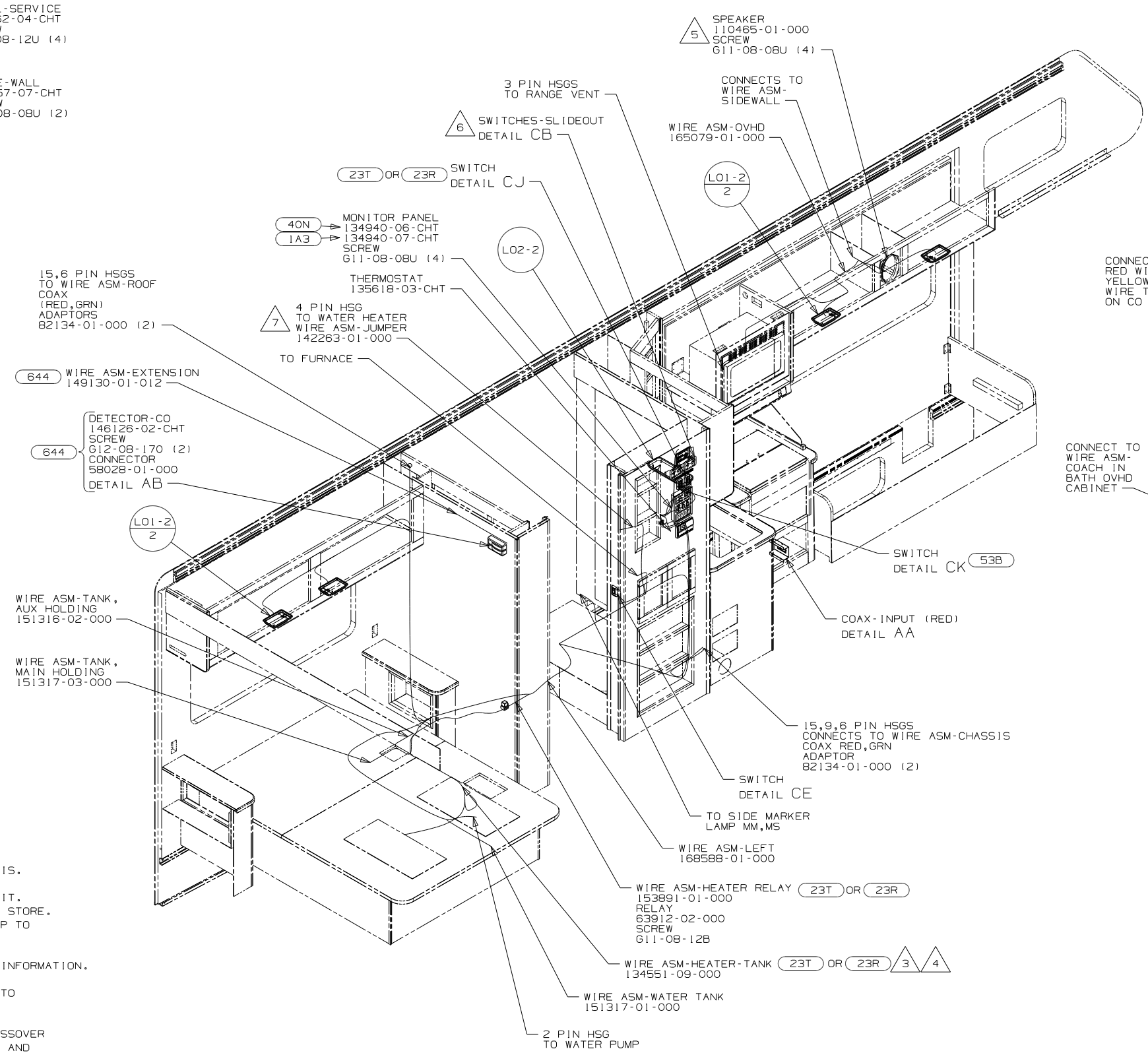


CAUTION

If you lack the skills, tools or equipment to perform diagnostic or repair work leave such work to an authorized Winnebago Industries dealer or other qualified shop.



DETAIL AA



DETAIL AB 644

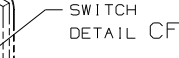
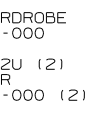
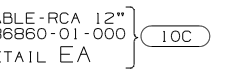
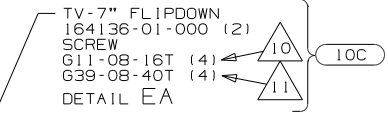
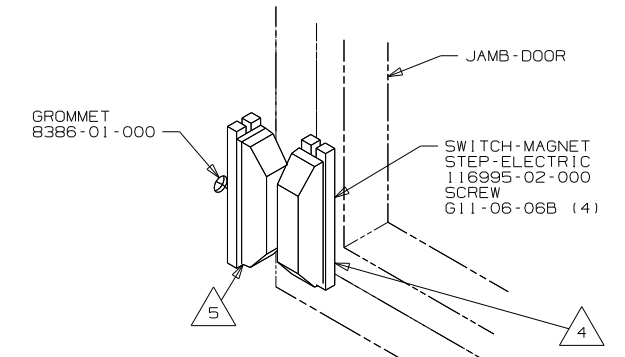
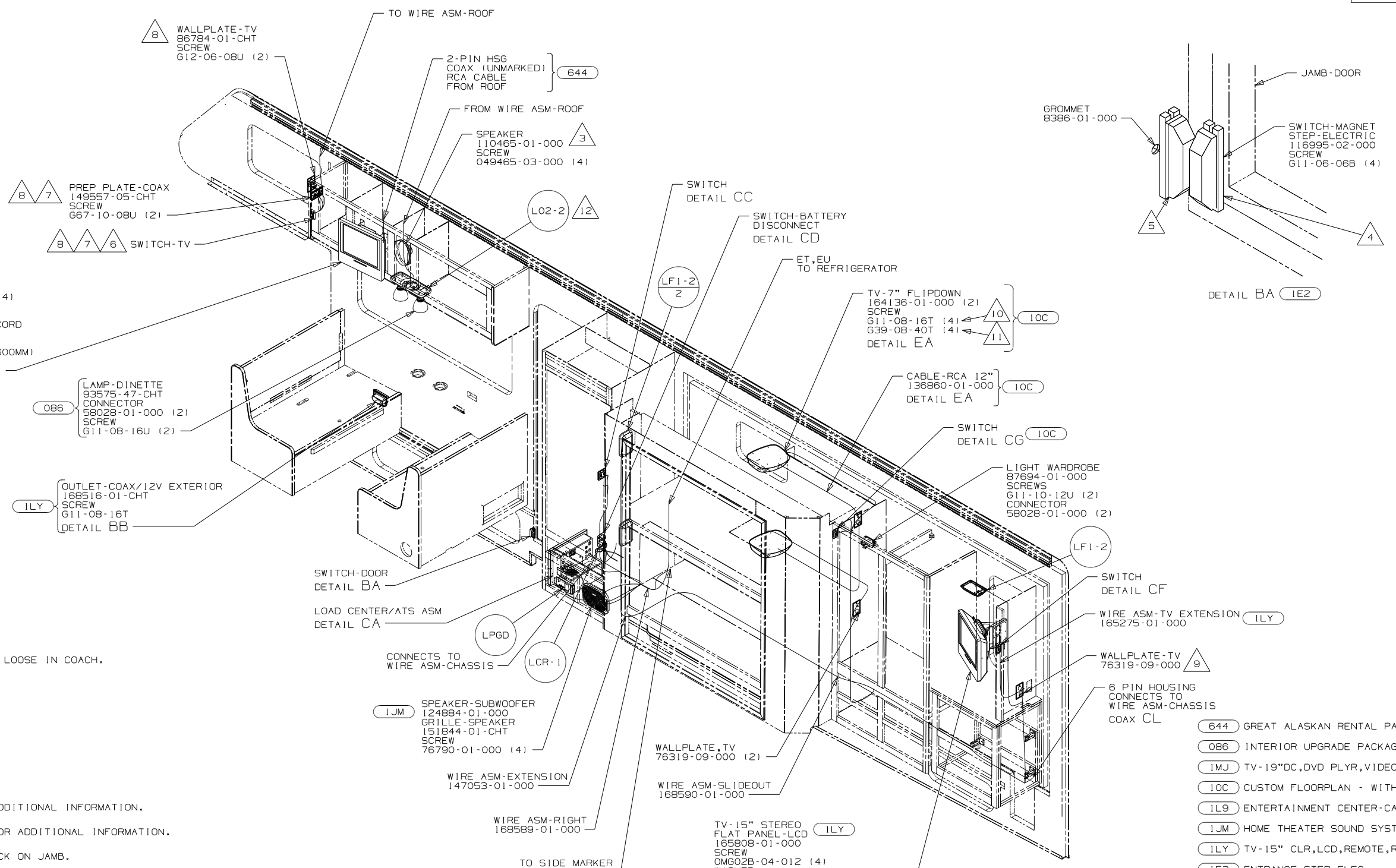
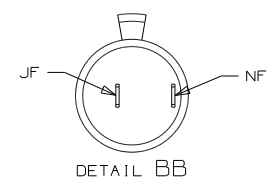
- NOTES:
- ALL WIRES TO BE SECURED WITH CLAMP 10495-01-000 OR CLIP 80734-01-000 EVERY 600MM. USE SCREW 667-10-12B UNLESS OTHERWISE SPECIFIED.
 - ROUTE TANK SENSOR WIRES SO THEY DO NOT PASSOVER SENSORS. USE WIRE TIE MOUNT 155366-01-000 AND WIRE TIE 8343-01-000 AS NEEDED. TANK SURFACE MUST BE CLEANED USING ISOPROPYL ALCOHOL AND PRIME WITH PRIMER 94.
 - ROUTE WIRE ALONG DRAINAGE PIPE & CONNECT TO PIPE WITH TIE-WIRE 8343-04-000.
 - SEE DRAINAGE SYSTEM INSTL FOR ADDITIONAL INFORMATION.
 - GEN-4.0KW-ONAN-GAS-MICROLITE
 - GENERATOR WITHOUT
 - CODES/STANDARDS-CSA/CMVSS
 - CODES/STANDARDS USA

- 644 GREAT ALASKAN RENTAL PACKAGE
- 53B WTR HTR-6GAL ELECTRIC/LP GAS
- 23R DRAINAGE SYSTEM/HEAT-PREP
- 23T DRAINAGE SYSTEM-HEATED
- 40N GEN-4.0KW-ONAN-GAS-MICROLITE
- 1A3 GENERATOR WITHOUT
- 265 CODES/STANDARDS-CSA/CMVSS
- 1B1 CODES/STANDARDS USA

WINNEBAGO		COPYRIGHT 2009 WINNEBAGO INDUSTRIES, INC.	
DFTR	ORIG. DATE		
CHKR	ALL DIMENSIONS ARE IN MILLIMETERS		
P.E.	FIRST USED	09 231J	
M.E.	UNSPECIFIED TOLERANCES ARE:	MATERIAL:	
DSNR	WHOLE DIM (X) : 3		
	ONE-PLACE (X.X) : 1.5		
	TWO-PLACE (X.XX) : 0.50		
	ANGLE : 1°		
	THIRD ANGLE PROJECTION		
DO NOT SCALE DRAWING			
TITLE: WIRING INSTL-BODY, 12V			
SHEET 1 OF 5	PART NO	168571	
REF:	1 7/20/2009		

FOR ELECTRICAL
TORQUE
SPECIFICATIONS
SEE DWG NO.
128783-01-000

X-X
FOR ELECTRICAL
CALLOUTS
SEE DWG NO.
121339-01-000



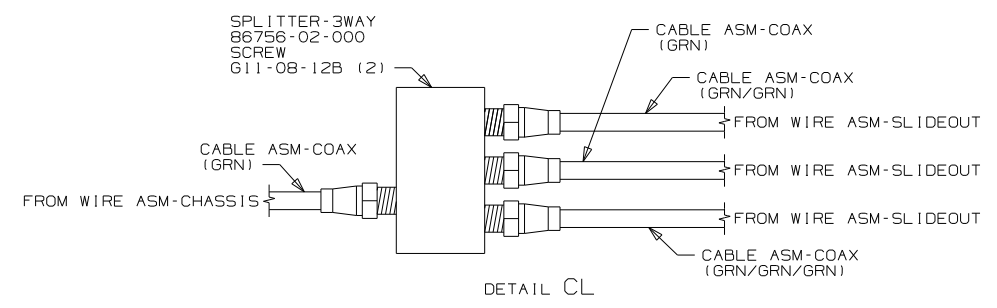
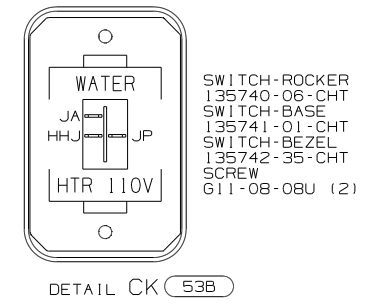
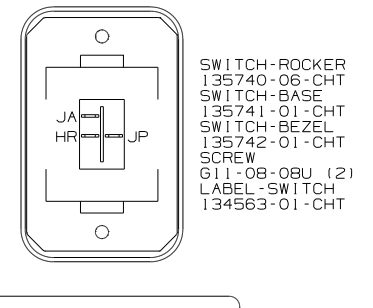
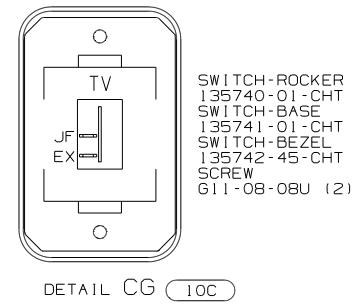
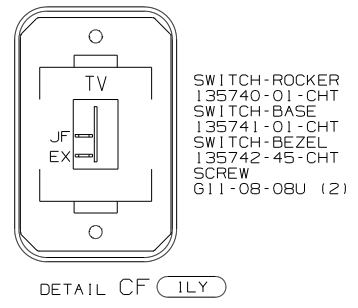
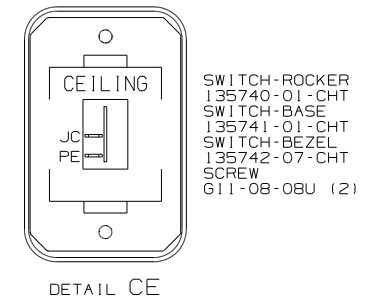
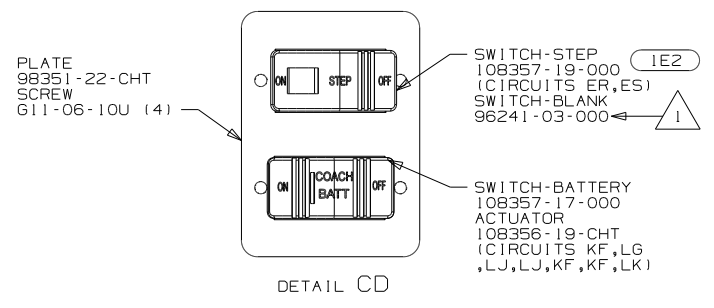
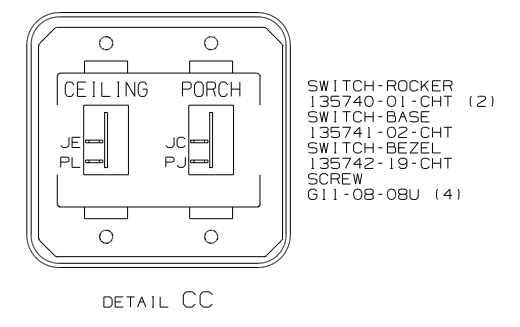
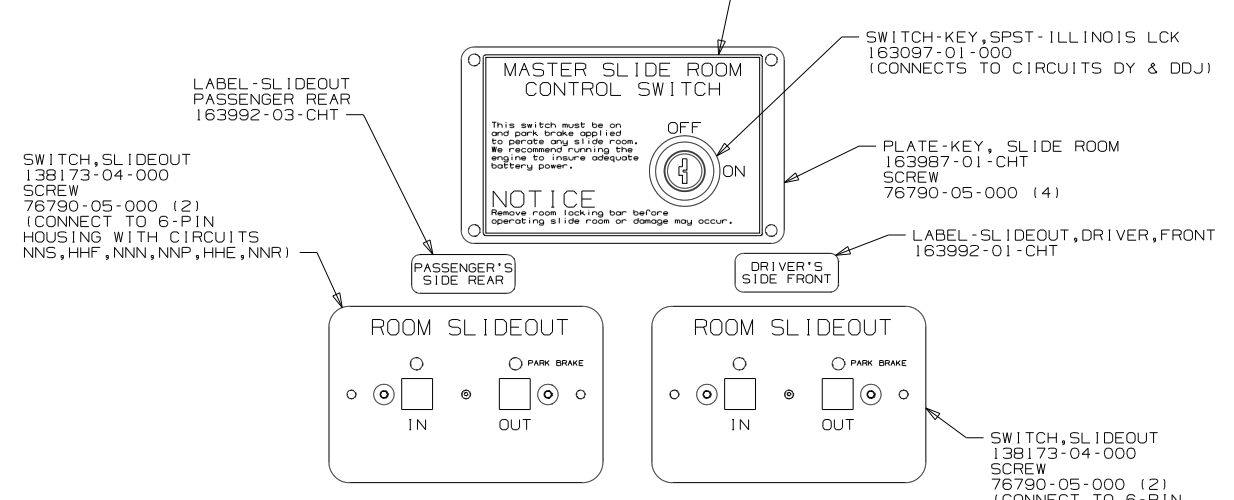
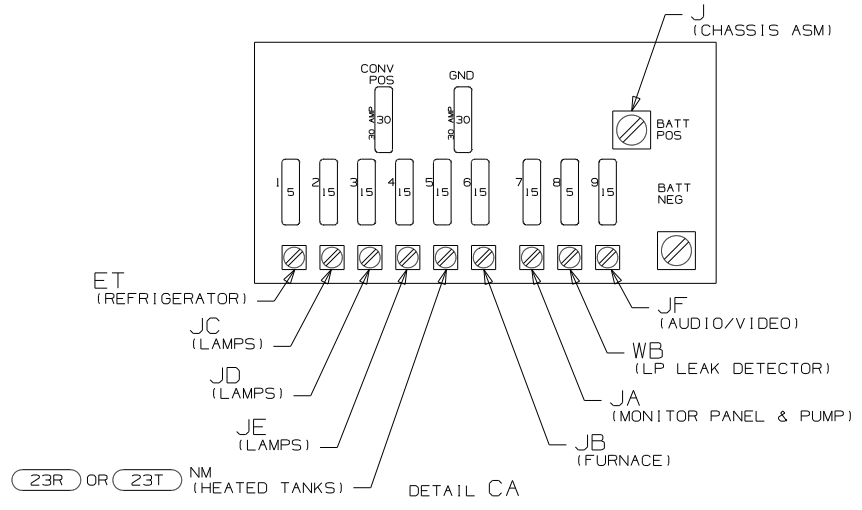
- 13 WIRE ASSEMBLIES TO BE SUPPLIED LOOSE IN COACH.
 - 12 NOT USED WITH 086
 - 11 TO BE USED FOR TOP BUNK TV.
 - 10 TO BE USED FOR BOTTOM BUNK TV.
 - 9 NOT USED WITH ILY
 - 8 NOT USED WITH IL9
 - 7 SEE INTERIOR INSTL-FRONT FOR ADDITIONAL INFORMATION.
 - 6 SEE WIRING INSTL-TV/DVD,SIDE FOR ADDITIONAL INFORMATION.
 - 5 MOUNT SWITCH AND SPACER TO BLOCK ON JAMB. ADJUST HEIGHT TO MATCH MAGNET.
 - 4 MOUNT MAGNET USING PILOT HOLES IN SCREEN DOOR FRAME. MOUNT WITH MAGNET TOWARD SWITCH.
 - 3 USE ONE OF THE SPEAKERS PROVIDED IN THE KIT. SEND THE SCREWS IN THE KIT TO THE SURPLUS STORE. SEND THE KIT WIRE ASM-PIGTAIL TO WIRE PREP TO BE INCORPORATED INTO A WIRE ASM.
2. SEE WIRING INSTL-TV/DVD,FRONT FOR ADDITIONAL INFORMATION.
1. ALL WIRES TO BE SECURED WITH CLAMP 10495-01-000 OR CLIP 80734-01-000 EVERY 600MM. USE SCREW G67-10-12B UNLESS OTHERWISE SPECIFIED.

- 644 GREAT ALASKAN RENTAL PACKAGE
- 086 INTERIOR UPGRADE PACKAGE
- 1MJ TV-19\"/>

FOR ELECTRICAL TORQUE SPECIFICATIONS SEE DWG NO. 128783-01-000

FOR ELECTRICAL CALLOUTS SEE DWG NO. 121339-01-000

FIRST USED	09 231J	
TITLE:	DO NOT SCALE DRAWING	
	WIRING INSTL-BODY, 12V	
SHEET 2	PART NO	168571
	REV	



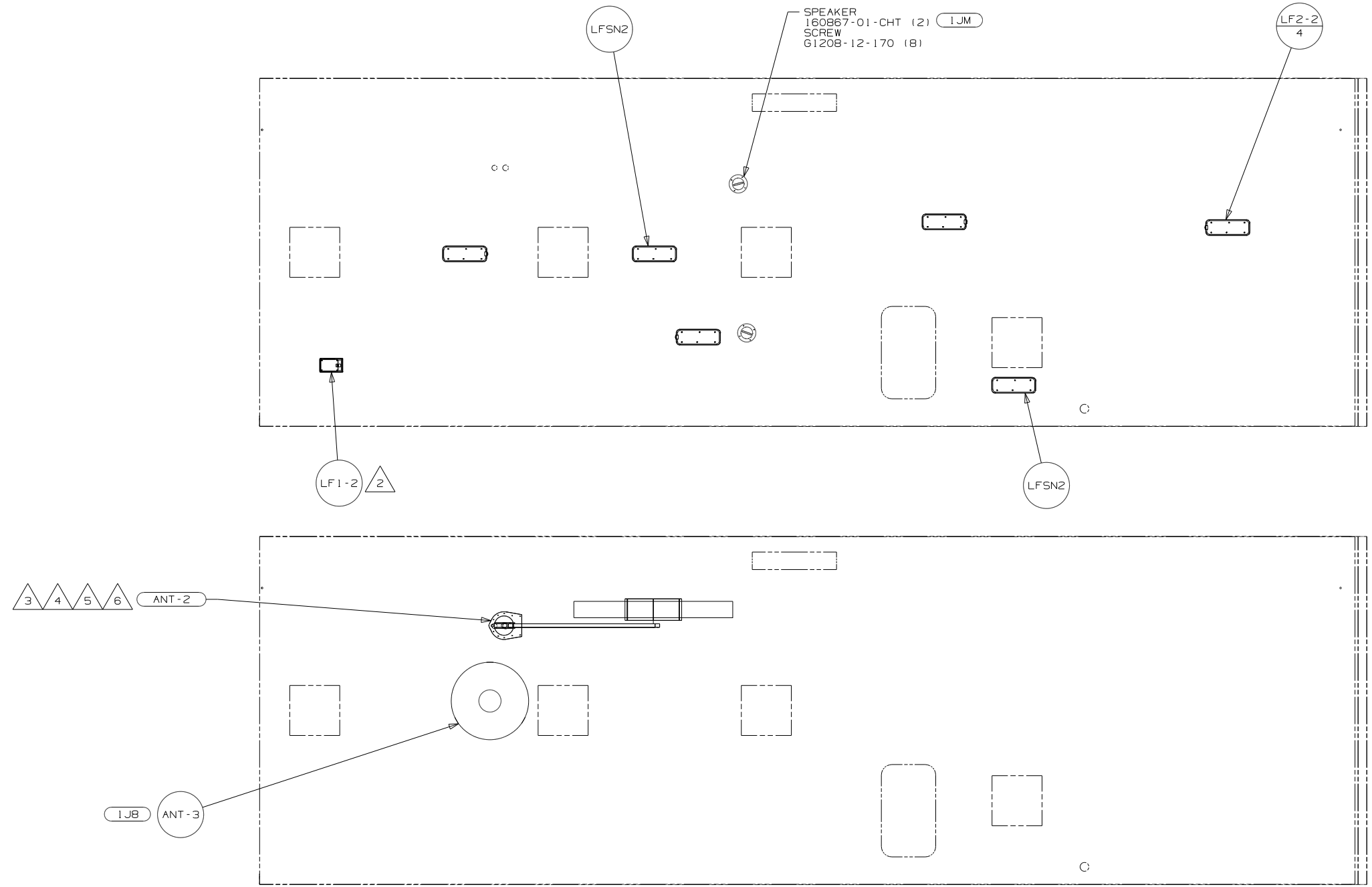
- (23R) DRAINAGE SYSTEM/HEAT-PREWIRE
- (23T) DRAINAGE SYSTEM-HEATED
- (10C) DVD PLAYERS (2) W/LCD MONITORS
- (1LY) TV-15" CLR, LCD, REMOTE, REAR
- (1E2) ENTRANCE STEP-ELEC.
- (1DL) SLIDEOUT ROOM-REAR RIGHTHAND
- (09L) SLIDEOUT ROOM FRONT LEFT
- (265) CODES/STANDARDS-CSA/CMVSS
- (1B1) CODES/STANDARDS USA

NOTES:
 1 NOT USED WITH (1E2)

FOR ELECTRICAL TORQUE SPECIFICATIONS SEE DWG NO. 128783-01-000

FOR ELECTRICAL CALLOUTS SEE DWG NO. 121339-01-000

FIRST USED	09 231J
TITLE	DO NOT SCALE DRAWING
WIRING INSTL-BODY, 12V	
SHEET 3	PART NO 168571 REV



- △ 6 ADD RUBBER BUMPER TO ROOF UNDER EACH END OF ANTENNA IN DOWN POSITION WHICH MAY COME INTO CONTACT WITH ROOF.
- △ 5 LOCATE CLAMP TO RETAIN CABLE BUT NOT TO RESTRICT ANTENNA TRAVEL.
- △ 4 SEE DRAWING 76319-01-000 FOR INSTALLATION OF TV ANTENNA.
- △ 3 NOT USED WITH (1JB)
- △ 2 NOT USED WITH (1L9)

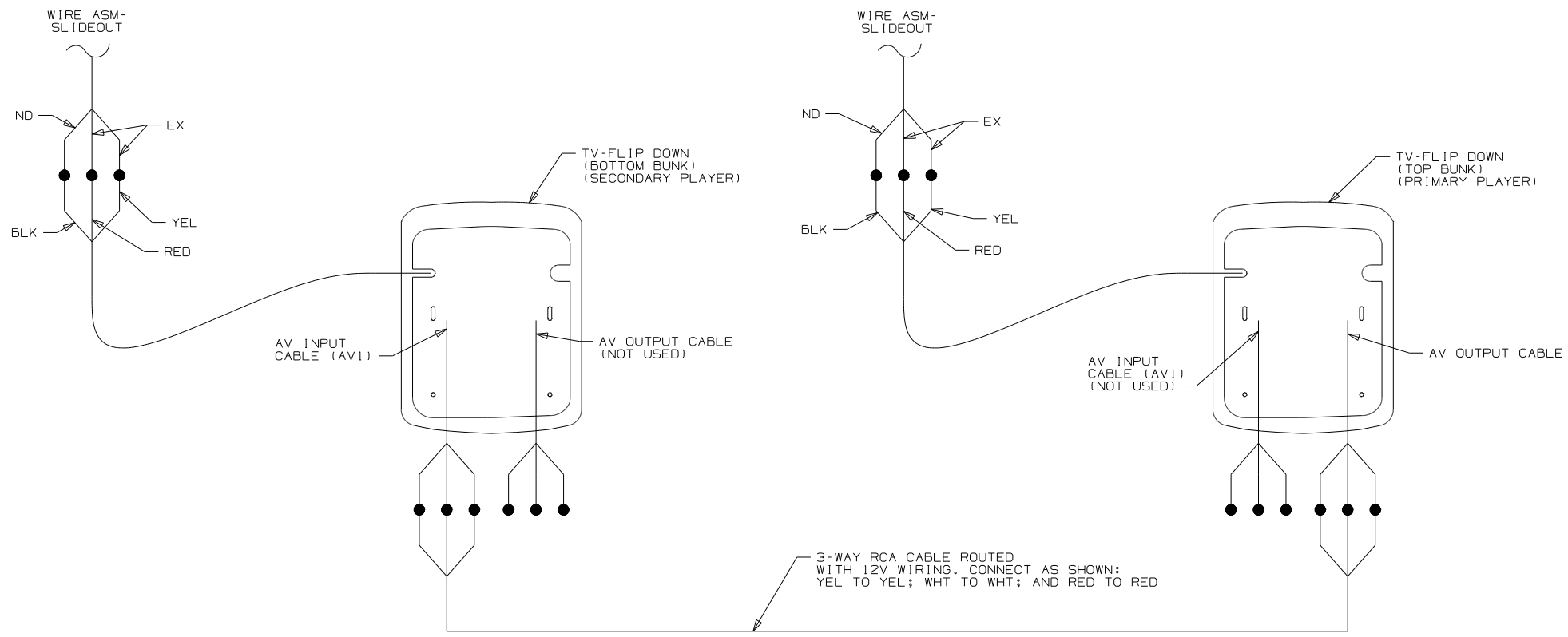
NOTES:
1. SEE ROOF ASM FOR ADDITIONAL INFORMATION.

- (1JB) TV ANTENNA-OMNIDIRECTIONAL
- (1L9) ENTERTAINMENT CENTER-CABOVER
- (1JM) HOME THEATER SOUND SYSTEM
- (265) CODES/STANDARDS-CSA/CMVSS
- (1B1) CODES/STANDARDS USA

FIRST USED	09 231J
DO NOT SCALE DRAWING	
TITLE:	WIRING INSTL-BODY, 12V
SHEET 4	PART NO 168571 REV

FOR ELECTRICAL TORQUE SPECIFICATIONS SEE DWG NO. 128783-01-000

(X-X) FOR ELECTRICAL CALLOUTS SEE DWG NO. 121339-01-000



DETAIL EA 10C

- NOTES:
1. ALL WIRES ARE TO SECURED WITH CLAMP10495 OR 10497 OR WIRE TIE 8343 OR 104046 EVERY 600 MM, USE SCREWS G64-XX-XXX OR G56-XX-XXX AS APPROPRIATE FOR INSTALLATION.
 2. REMOTE IR RECEIVER SUPPLIED WITH DVD PLAYER, TO BE MOUNTED IN BOTTOM BUNK.
 3. REMOVE SHIPPING RESTRAINT SCREWS FROM DVD PLAYER.

FOR ELECTRICAL TORQUE SPECIFICATIONS SEE DWG NO. 128783-01-000



FOR ELECTRICAL CALLOUTS SEE DWG NO. 121339-01-000

- 10C DVD PLAYERS (2) W/LCD MONITORS
- 265 CODES/STANDARDS - CSA/CMVSS
- 1B1 CODES/STANDARDS USA

1B1 265

FIRST USED	09 231J
DO NOT SCALE DRAWING	
TITLE:	WIRING INSTL-BODY, 12V
SHEET 5	PART NO 168571 REV