

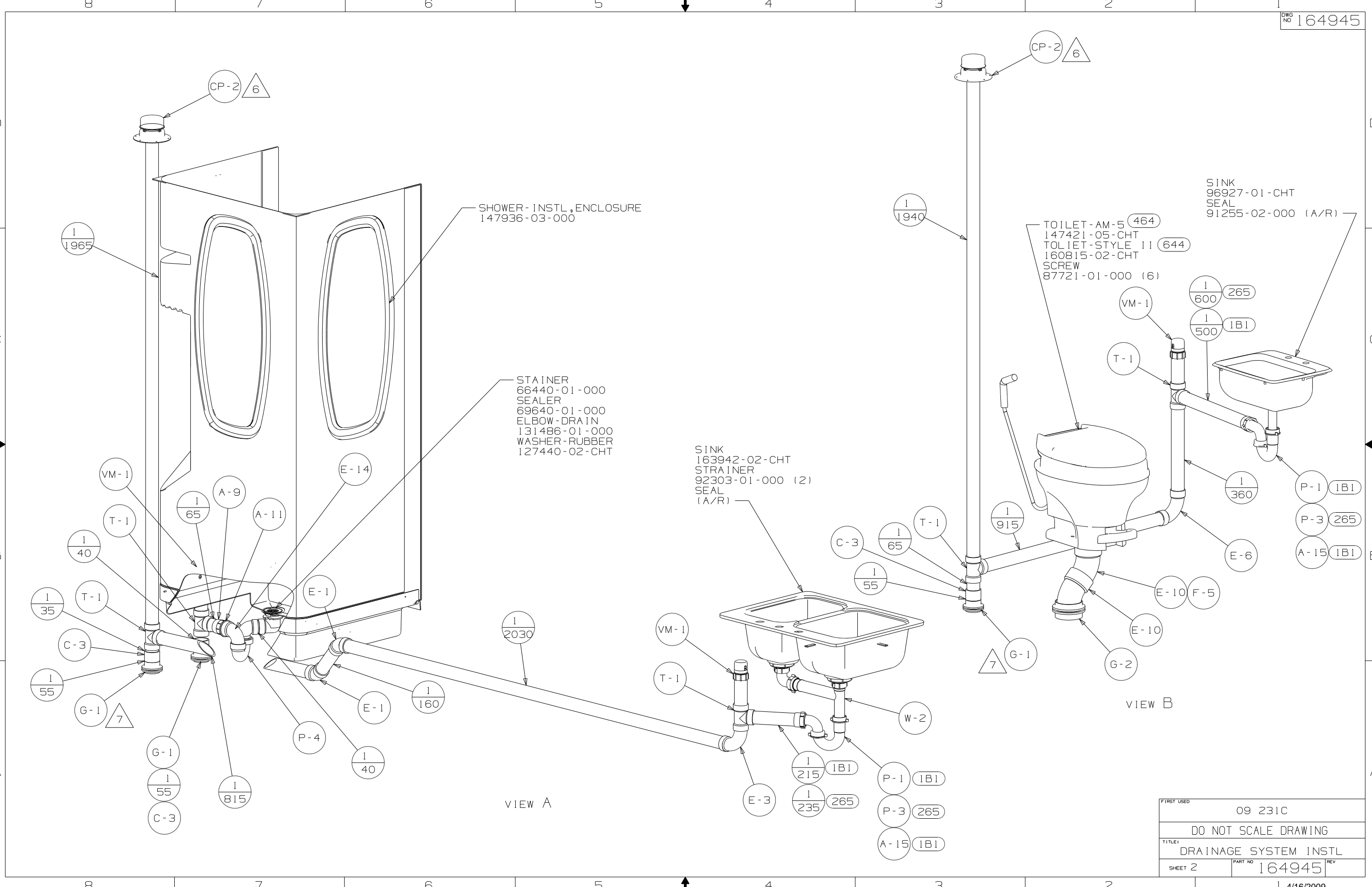
- 644 GREAT ALASKAN RENTAL PACKAGE
- 1B1 CODES/STANDARDS-USA
- 265 CODES/STANDARDS-CSA/CMVSS
- 23T DRAINAGE SYSTEM-HEATED
- 464 TOILET

- 8 SECURE PIPES TO CABINET USING WIRE TIE 108046-02-000 AND SCREW G67-10-12B.
- 7 SECURE VENT TUBES TO FLOOR WITH CLAMP 62401-02-000 (2), SCREW G67-10-12B (2), AND BRACKET 136878-01-CHT (2).
- 6 VENT PIPE MUST PROJECT 51 MIN AND 64 MAX ABOVE ROOF FOR PROPER FIT AND FUNCTION.
5. SEAL AROUND SHOWER WITH SILICONE.
- 4 SEE WIRING INSTL-BODY, 12V FOR ELECTRICAL CONNECTION.
3. ALL PIPE AND FITTINGS TO BE ASSEMBLED WITH SOLVENT 4020-01-000 (USA), 4020-02-000 (CAN)
2. SLOPE OF TRAP ARM MUST BE 6 PER 305 mm.
1. SLOPE OF HORIZONTAL PIPING TO BE MIN 3 PER 305 mm.

<b>WINNEBAGO</b>		COPYRIGHT 2009 WINNEBAGO INDUSTRIES, INC.	
DFTR	ORIG. DATE	ALL DIMENSIONS ARE IN MILLIMETERS	
CHKR		FIRST USED	
P.E.		09 231C	
M.E.		UNSPECIFIED TOLERANCES ARE:	
DSNR		MATERIAL:	
		WHOLE DIM (X)	: 3
		ONE-PLACE (X.X)	: 1.5
		TWO-PLACE (X.XX)	: 0.50
		ANGLE	: 1°
THIRD ANGLE PROJECTION		DO NOT SCALE DRAWING	
TITLE: DRAINAGE SYSTEM INSTL			
SHEET 1 OF 3	PART NO	164945	REV
REF:	1 4/16/2009		

FOR  
DRAINAGE  
CALLOUTS  
SEE DWG NO  
116229-01-000

NOTES:



SHOWER - INSTL, ENCLOSURE  
147936-03-000

STAINER  
66440-01-000  
SEALER  
69640-01-000  
ELBOW-DRAIN  
131486-01-000  
WASHER-RUBBER  
127440-02-CHT

SINK  
163942-02-CHT  
STRAINER  
92303-01-000 (2)  
SEAL  
(A/R)

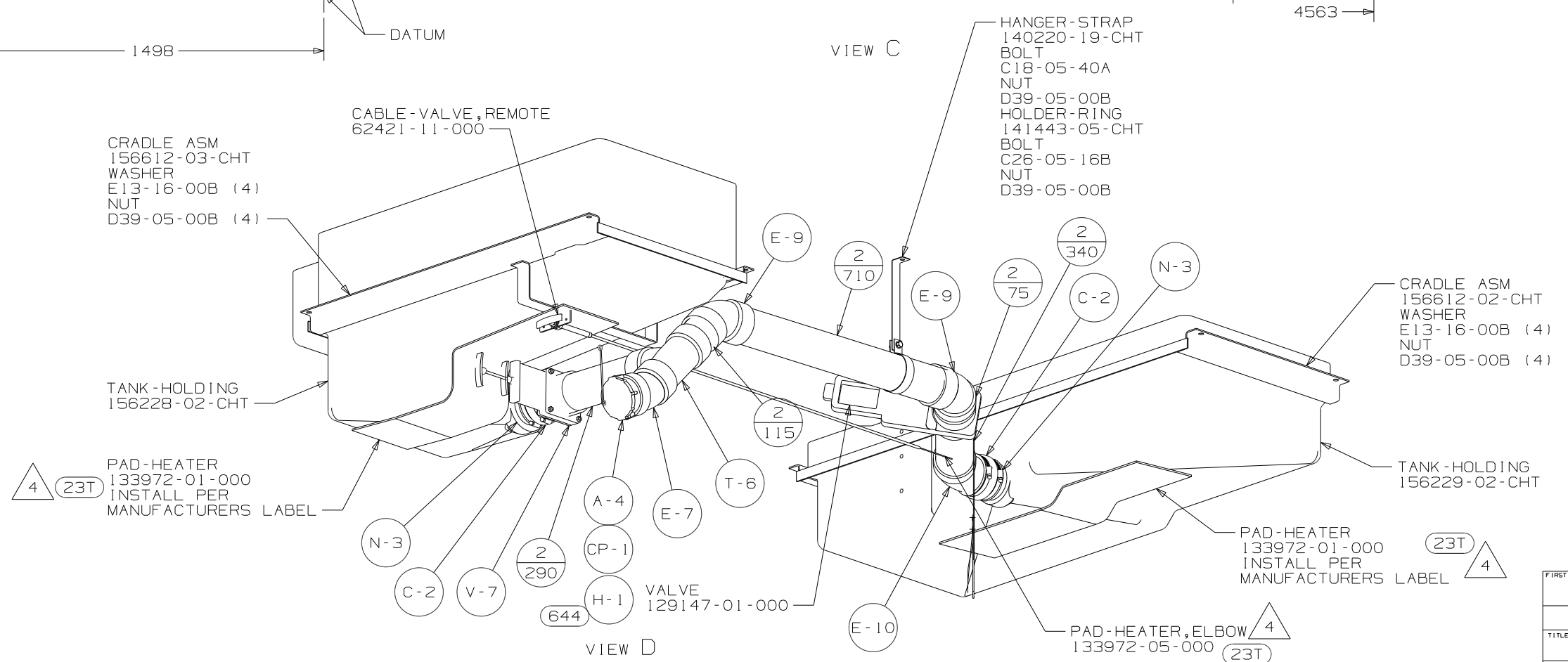
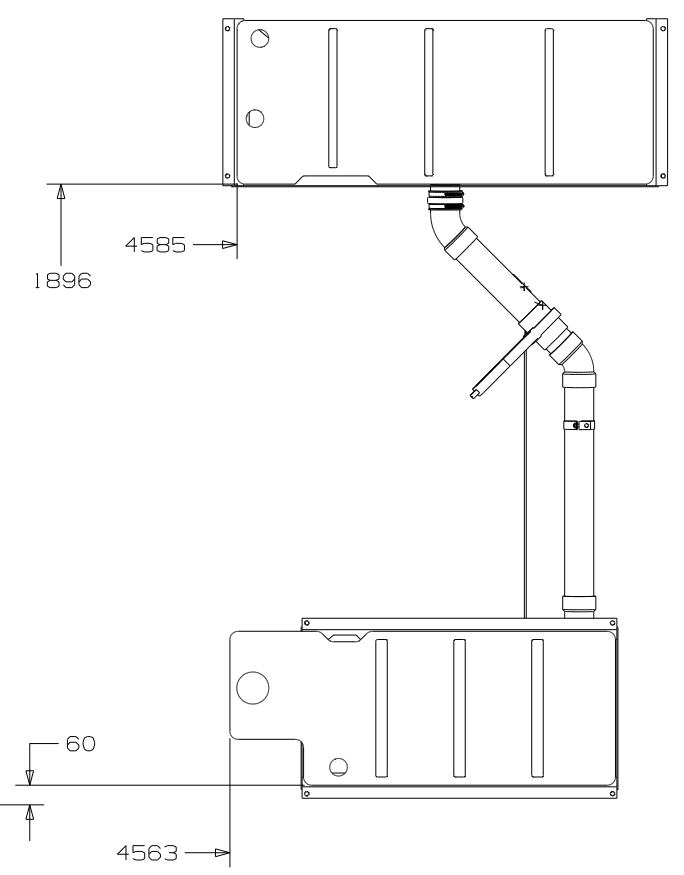
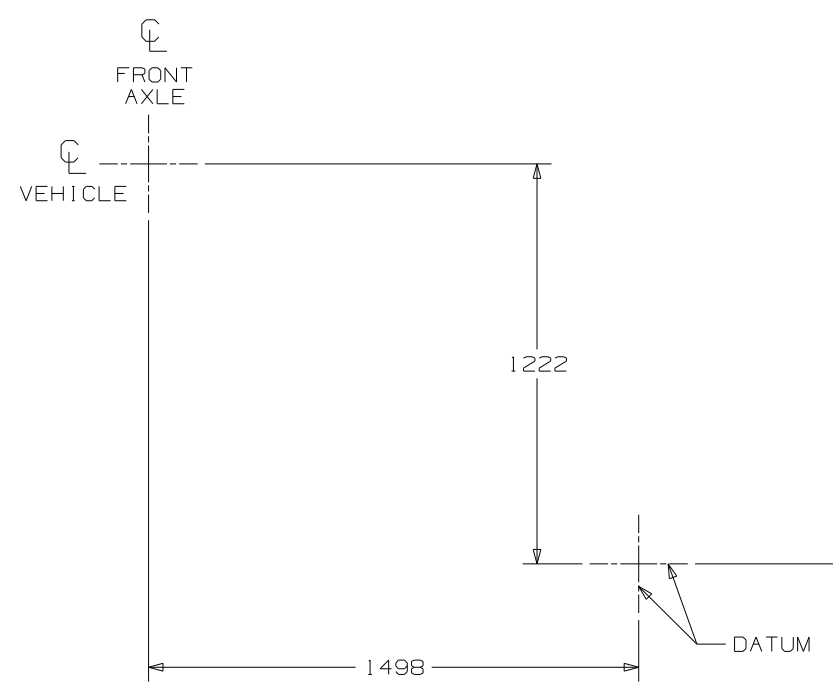
TOILET-AM-5 (464)  
147421-05-CHT  
TOILET-STYLE 11 (644)  
160815-02-CHT  
SCREW  
87721-01-000 (6)

SINK  
96927-01-CHT  
SEAL  
91255-02-000 (A/R)

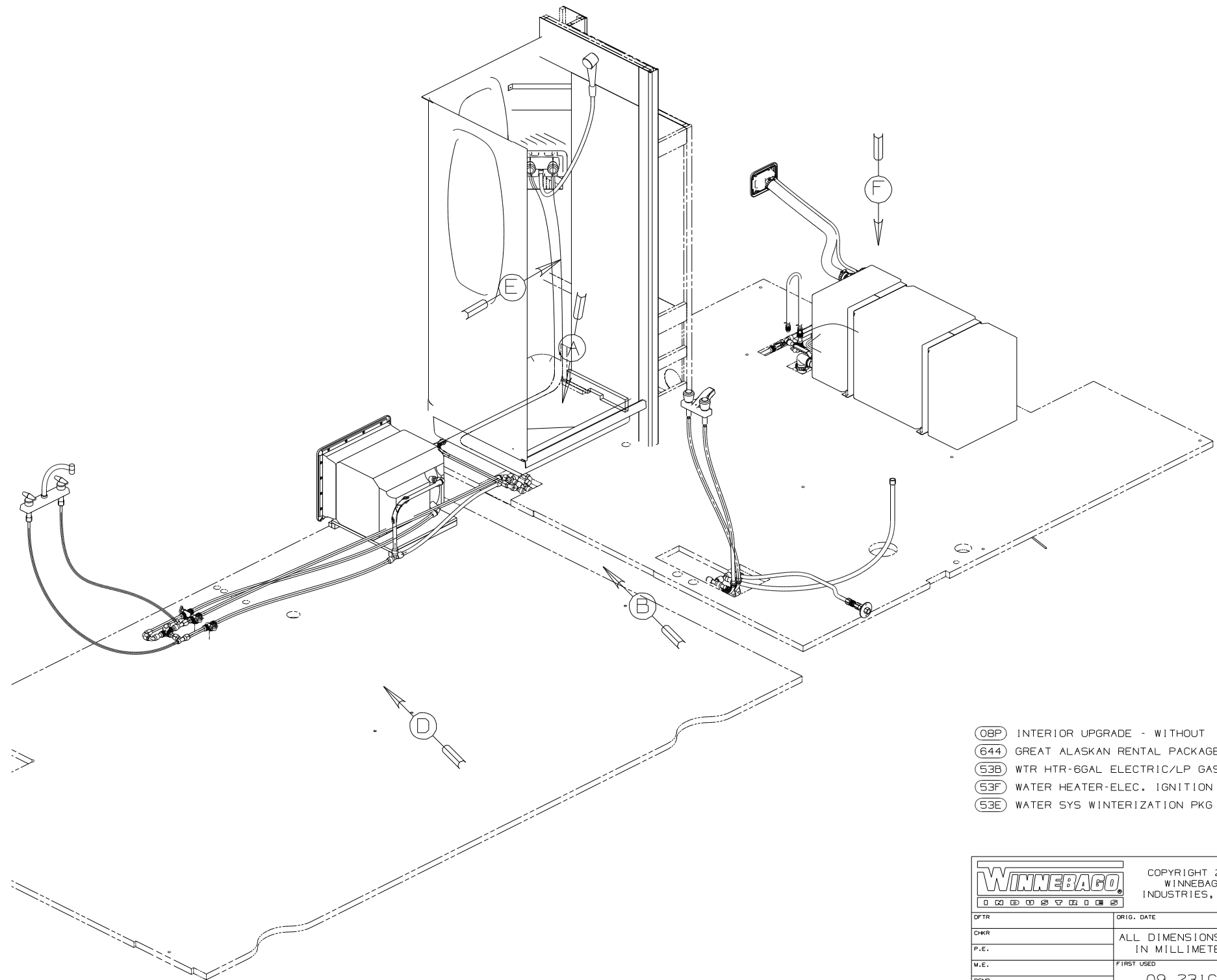
VIEW A

VIEW B

FIRST USED	09 231C
DO NOT SCALE DRAWING	
TITLE:	DRAINAGE SYSTEM INSTL
SHEET 2	PART NO 164945 REV



FIRST USED	09 231C
TITLE	DO NOT SCALE DRAWING DRAINAGE SYSTEM INSTL
SHEET 3	PART NO 164945 REV
1 4/16/2009	



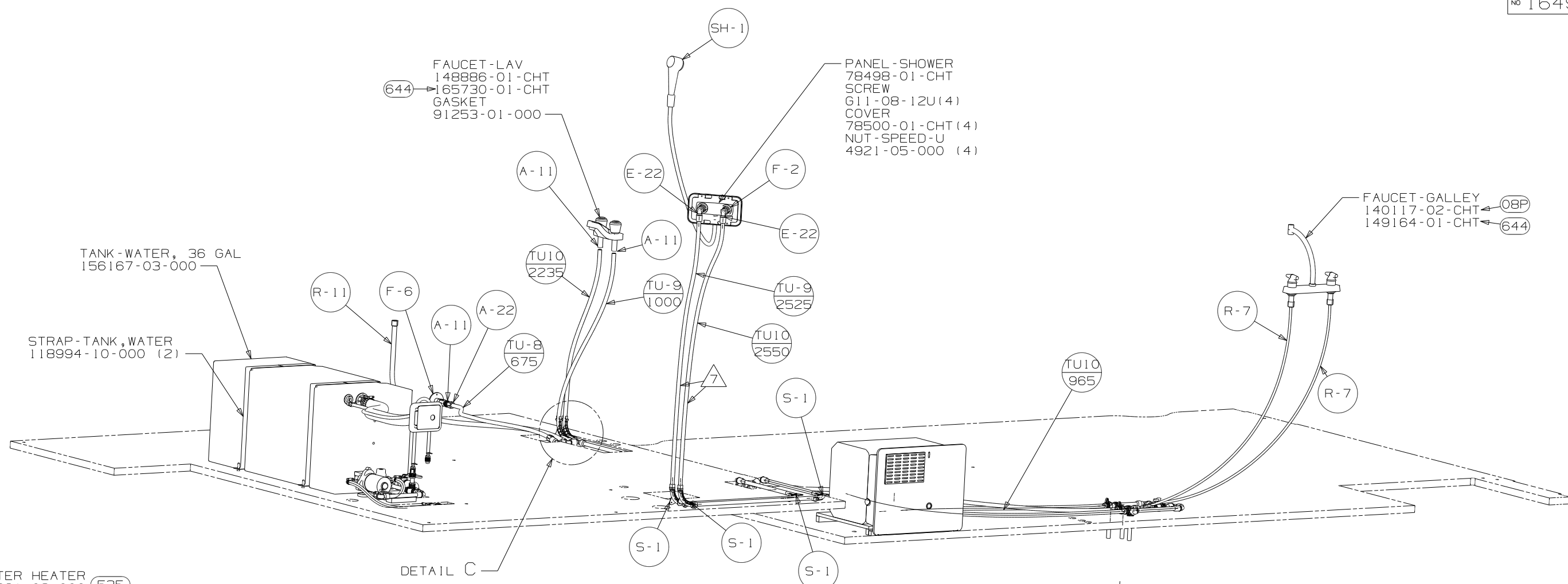
11. ATTACH WASHER-PLASTIC 87080-13-CHT W/TAPE-DOUBLE 123816-03 ON BOTTOM SIDE OF FLOOR.
10. ATTACH WASHER-PLASTIC 87080-11-CHT W/TAPE-DOUBLE 123816-03 ON BOTTOM SIDE OF COMPARTMENT.
9. LABEL THE HOT & COLD SUPPLY RISER TUBES & TAPE FITTING TO TUBE BEFORE CABINET SET TO PREVENT MOVEMENT.
- 8 NOT REQUIRED W/644 FEATURE.
- 7 ADD PIPE WRAP (LADDER SCRAP 110157-02-000) INSULATION. OR USE CARPET PAD (SCRAP) 075233-06-000.
- 6 ADD TEFLON TAPE 10405-03-000.
- 5 ADD TEFLON TAPE 10405-02-000.
- 4 ADD TEFLON TAPE 10405-01-000.
3. ALL TUBING TO BE SECURED AT 1200 INTERVALS MAXIMUM WITH CLAMP 10495-01-000 AND SCREW G67-10-12B OR EQUIVALENT.
2. TUBING TO BE INSTALLED WITH SUFFICIENT SLOPE TO PROVIDE DRAINAGE TO NEAREST VALVE.
1. PLASTIC FITTINGS TO BE SEALED WITH SEALANT 84456-01-000.

- 08P INTERIOR UPGRADE - WITHOUT
- 644 GREAT ALASKAN RENTAL PACKAGE
- 53B WTR HTR-6GAL ELECTRIC/LP GAS
- 53F WATER HEATER-ELEC. IGNITION
- 53E WATER SYS WINTERIZATION PKG

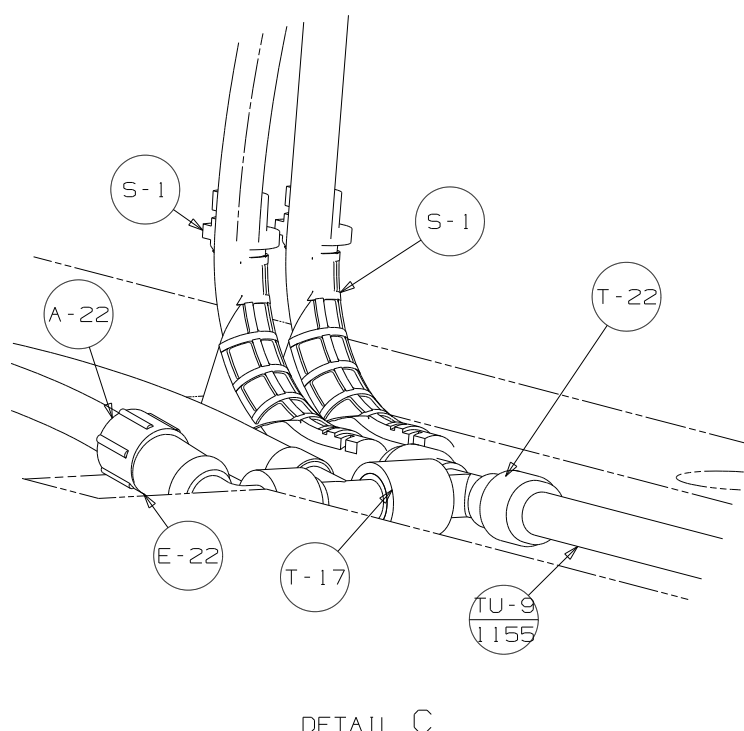
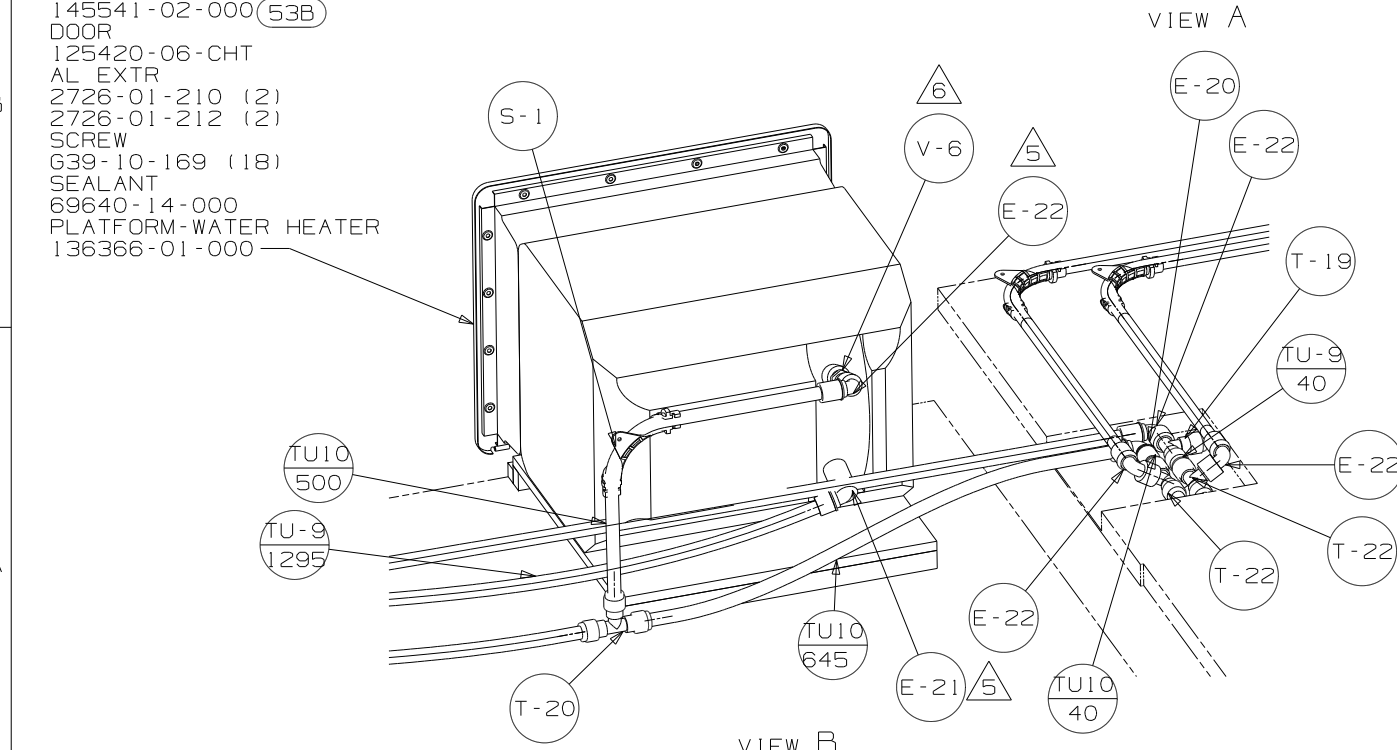
<b>WINNEBAGO</b>		COPYRIGHT 2009 WINNEBAGO INDUSTRIES, INC.	
DFTR	ORIG. DATE	ALL DIMENSIONS ARE IN MILLIMETERS	
CHKR		FIRST USED	
P.E.		09 231C	
M.E.		UNSPECIFIED TOLERANCES ARE:	
DSNR		MATERIAL:	
		WHOLE DIM (X)	: 3
		ONE-PLACE (X.X)	: 1.5
		TWO-PLACE (X.XX)	: 0.50
		ANGLE	: 1°
THIRD ANGLE PROJECTION		DO NOT SCALE DRAWING	
TITLE: WATER SYSTEM INSTL			
SHEET 1 OF 3	PART NO	164994	REV
REF:	1 4/24/2009		

(X-X)  
FOR  
WATER  
CALLOUTS  
SEE DWG NO  
116230-01-000

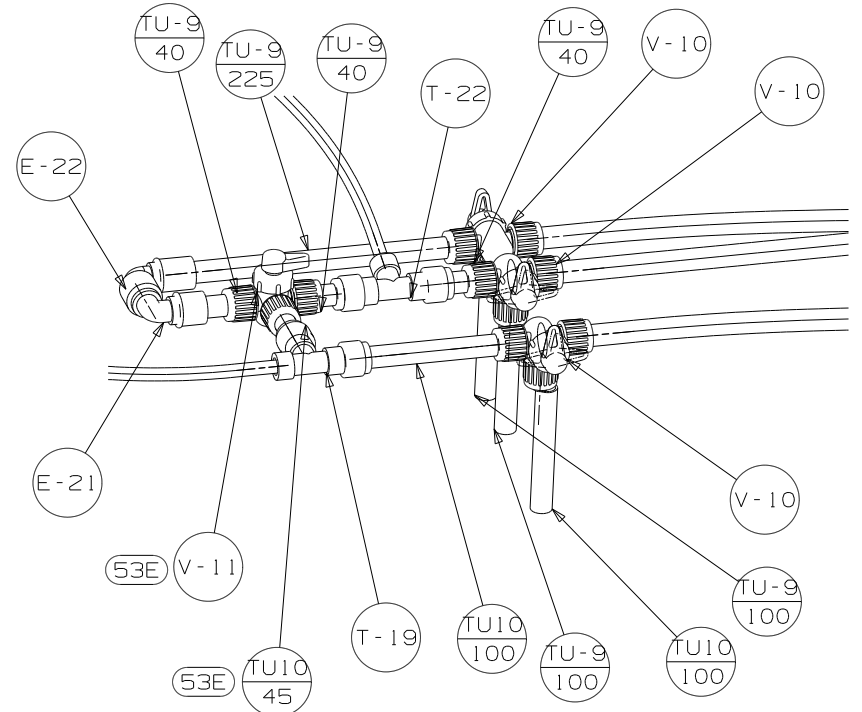
NOTES:



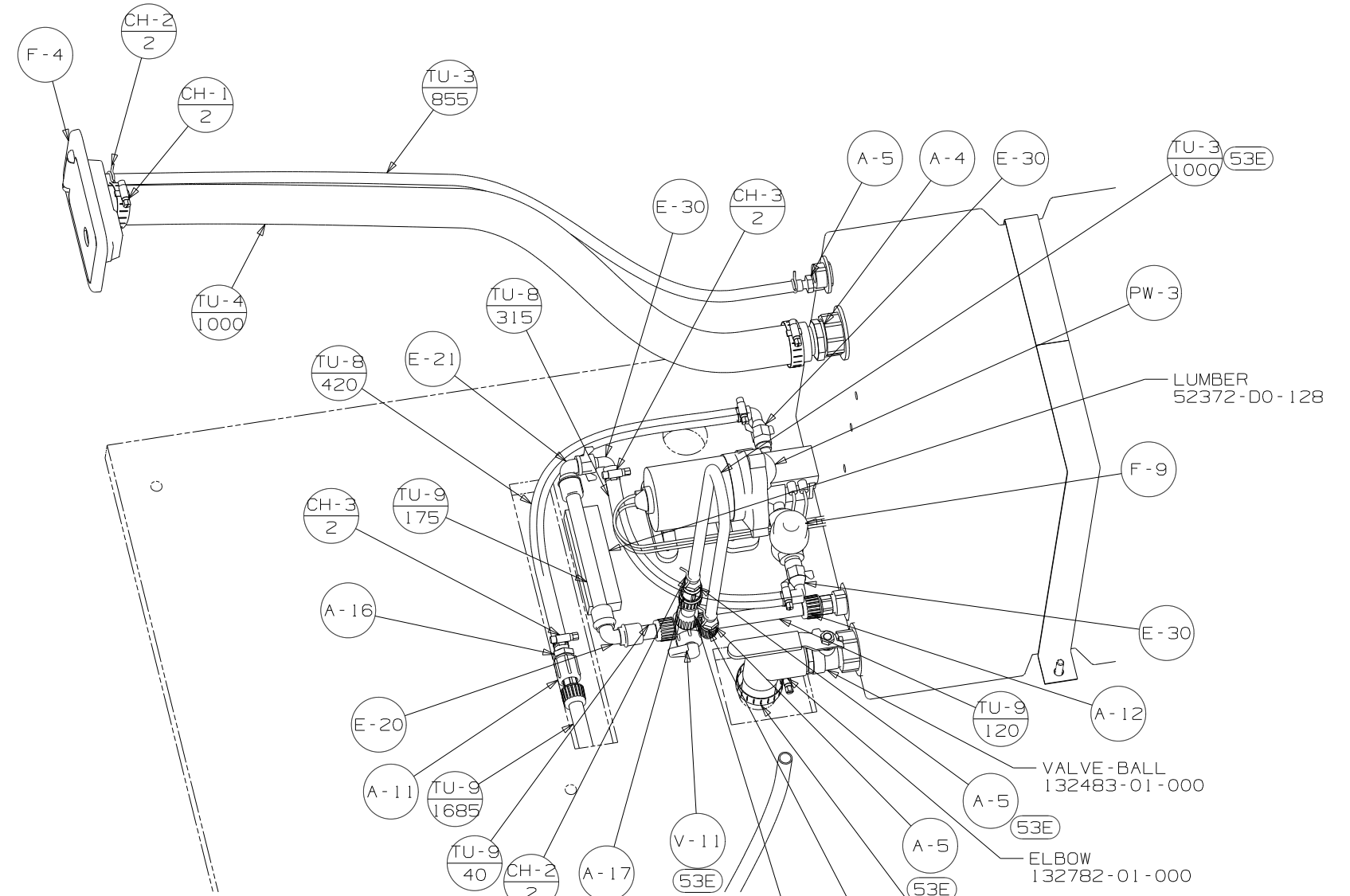
- WATER HEATER
- 51391-03-000 (53F)
- 145541-02-000 (53B)
- DOOR
- 125420-06-CHT
- AL EXTR
- 2726-01-210 (2)
- 2726-01-212 (2)
- SCREW
- G39-10-169 (18)
- SEALANT
- 69640-14-000
- PLATFORM-WATER HEATER
- 136366-01-000



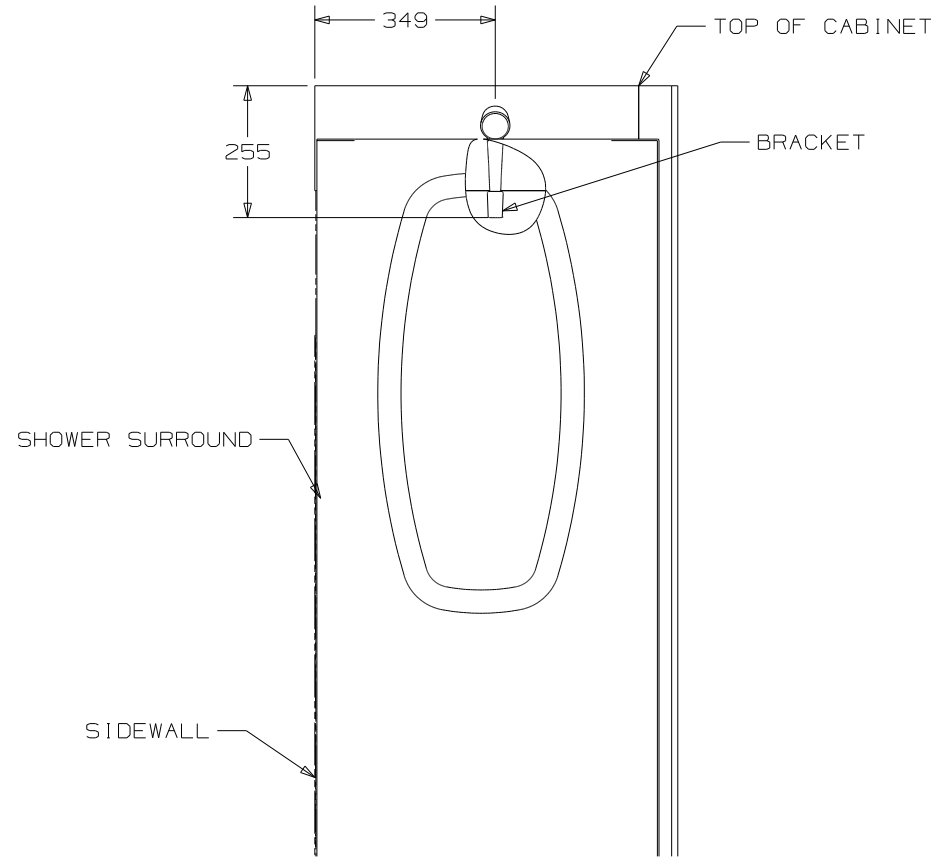
FIRST USED	09 231C
DO NOT SCALE DRAWING	
TITLE:	WATER SYSTEM INSTL
SHEET 2	PART NO 164994 REV



VIEW D  
(SHOWN WITHOUT FLOOR)



VIEW F



VIEW E

FIRST USED	09 231C	
TITLE	DO NOT SCALE DRAWING	
TITLE	WATER SYSTEM INSTL	
SHEET 3	PART NO	REV
	164994	