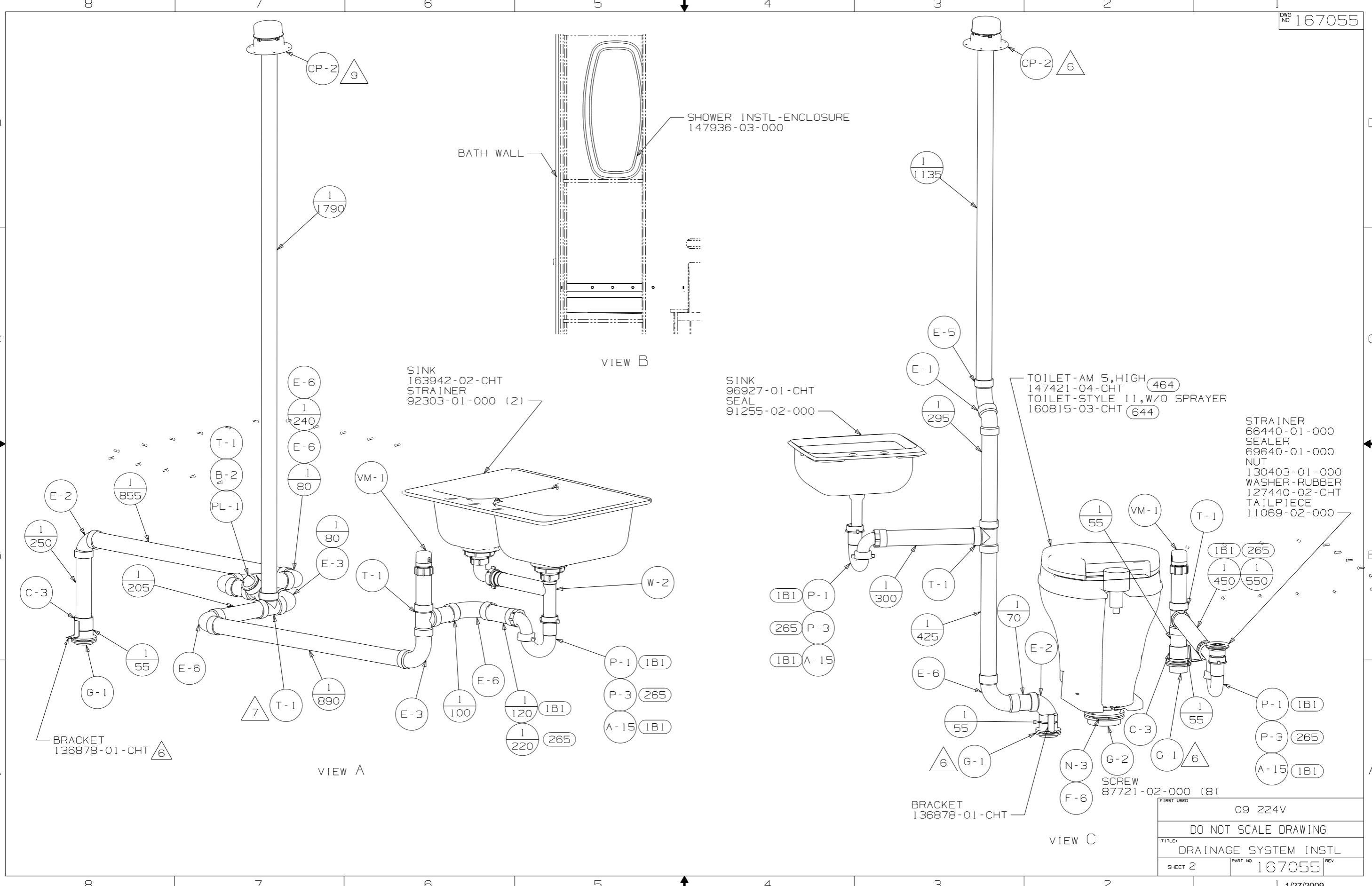


9. SEE DRAWING 61607-0-000 FOR INSTALLATION OF GROMMETS.
8. SECURE DRAINAGE PIPES TO CABINET USING WIRE TIE 108046-02-000, AND SCREW G67-10-12B AT INTERVALS OF NOT MORE THAN 4 FEET APART.
7. SECURE VENT PIPE TO FLOOR WITH CLAMP 62401-02-000 (2), SCREW G67-10-12B (2), BRACKET 136878-01-CHT (2).
6. VENT PIPE MUST PROJECT 51 MIN AND 64 MAX ABOVE ROOF FOR PROPER FIT AND FUNCTION. ADD S-1 (116666-01-CHT SEAL-VENT PIPE) AROUND PIPE ON ROOF BEFORE VENT CAP IS INSTALLED.
5. SEAL AROUND SHOWER WITH SILICONE.
4. SEE WIRING INSTL-BODY FOR ELECTRICAL CONNECTION.
3. ALL PIPE AND FITTINGS TO BE ASSEMBLED WITH SOLVENT 4020-01-000 (USA), 4020-02-000 (CAN)
2. SLOPE OF TRAP ARM MUST BE 6 PER 305 mm.
1. SLOPE OF HORIZONTAL PIPING TO BE MINIMUM OF 3 PER 305 mm.

- 644 GREAT ALASKAN RENTAL
- 1B1 CODES/STANDARDS USA
- 265 CODES/STANDARDS-CSA/CMVSS
- 23T DRAINAGE SYSTEM-HEATED
- 464 TOILET

<b>WINNEBAGO</b>		COPYRIGHT 2009 WINNEBAGO INDUSTRIES, INC.	
DFTR	ORIG. DATE	ALL DIMENSIONS ARE IN MILLIMETERS	
CHKR		FIRST USED	
P.E.		09 224V	
M.E.		UNSPECIFIED TOLERANCES ARE:	
DSNR		MATERIAL:	
		WHOLE DIM (X)	: 3
		ONE-PLACE (X.X)	:
		TWO-PLACE (X.XX)	:
		ANGLE	:
		THIRD ANGLE PROJECTION	
DO NOT SCALE DRAWING			
TITLE: DRAINAGE SYSTEM INSTL			
SHEET 1 OF 4	PART NO	167055	REV
REF:	1 1/27/2009		

FOR  
DRAINAGE  
CALLOUTS  
SEE DWG NO  
116229-01-000



SHOWER INSTL-ENCLOSURE  
147936-03-000

BATH WALL

VIEW B

SINK  
163942-02-CHT  
STRAINER  
92303-01-000 (2)

SINK  
96927-01-CHT  
SEAL  
91255-02-000

TOILET-AM 5,HIGH  
147421-04-CHT (464)  
TOILET-STYLE 11,W/O SPRAYER  
160815-03-CHT (644)

STRAINER  
66440-01-000  
SEALER  
69640-01-000  
NUT  
130403-01-000  
WASHER-RUBBER  
127440-02-CHT  
TAILPIECE  
11069-02-000

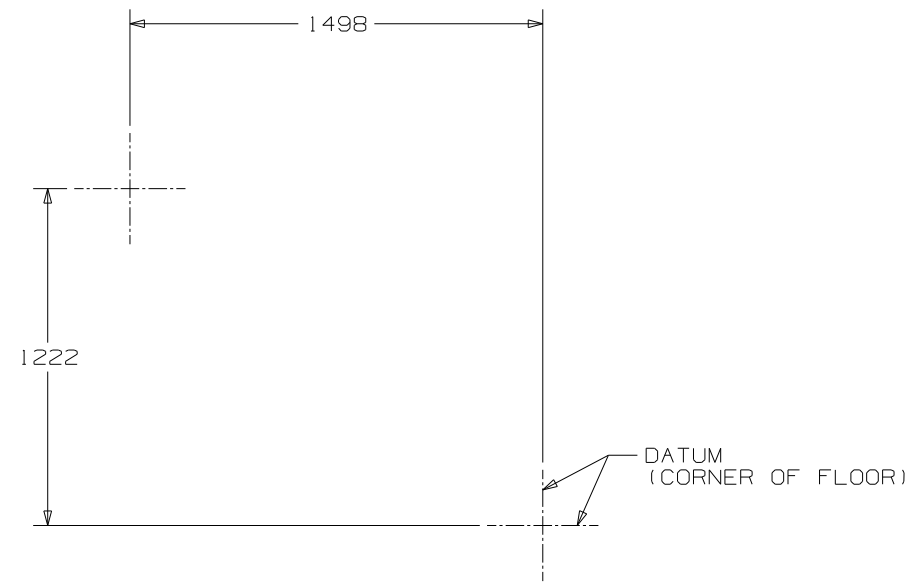
BRACKET  
136878-01-CHT (6)

VIEW A

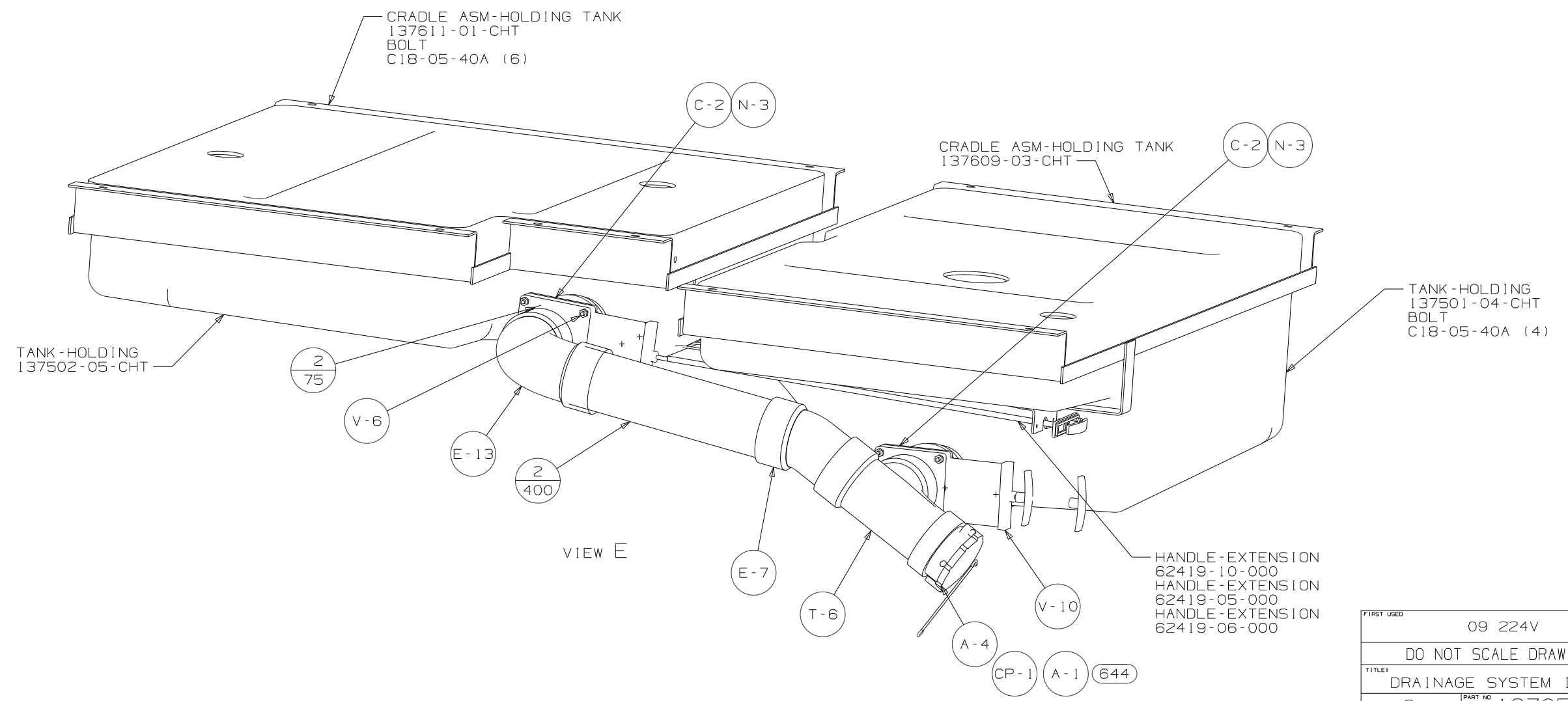
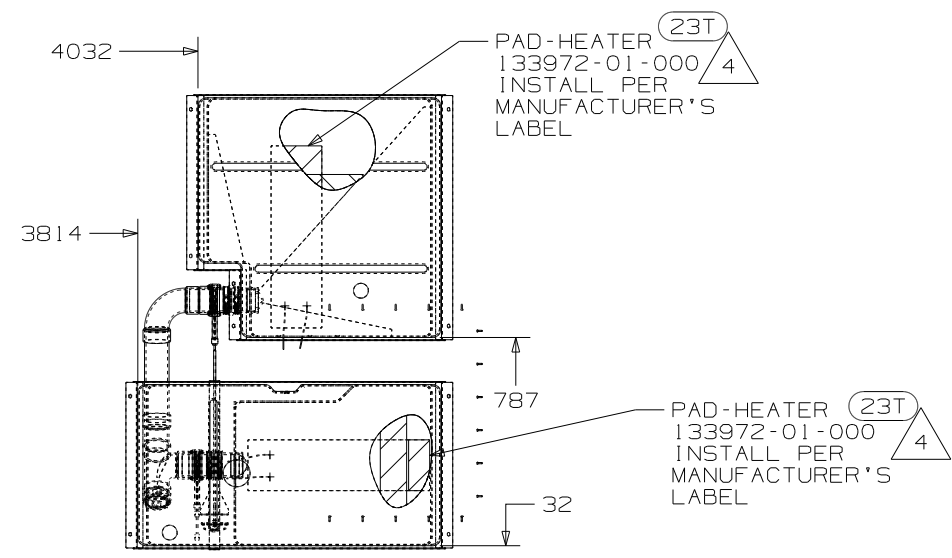
BRACKET  
136878-01-CHT

VIEW C

FIRST USED	09 224V	
TITLE:	DO NOT SCALE DRAWING	
	DRAINAGE SYSTEM INSTL	
SHEET 2	PART NO	167055
	1 1/27/2009	

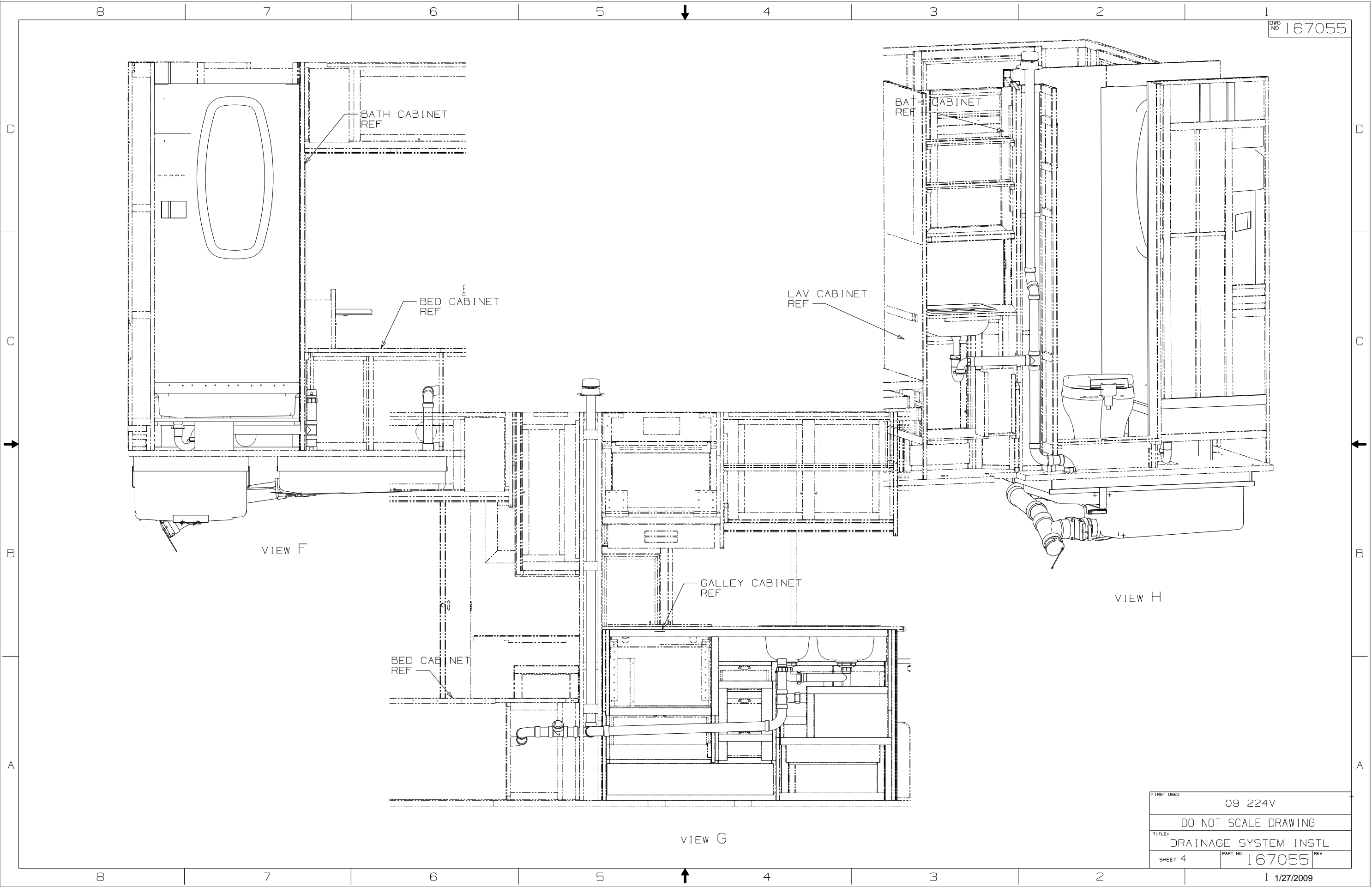


VIEW D



VIEW E

FIRST USED	09 224V
TITLE	DO NOT SCALE DRAWING
	DRAINAGE SYSTEM INSTL
SHEET 3	PART NO 167055 REV

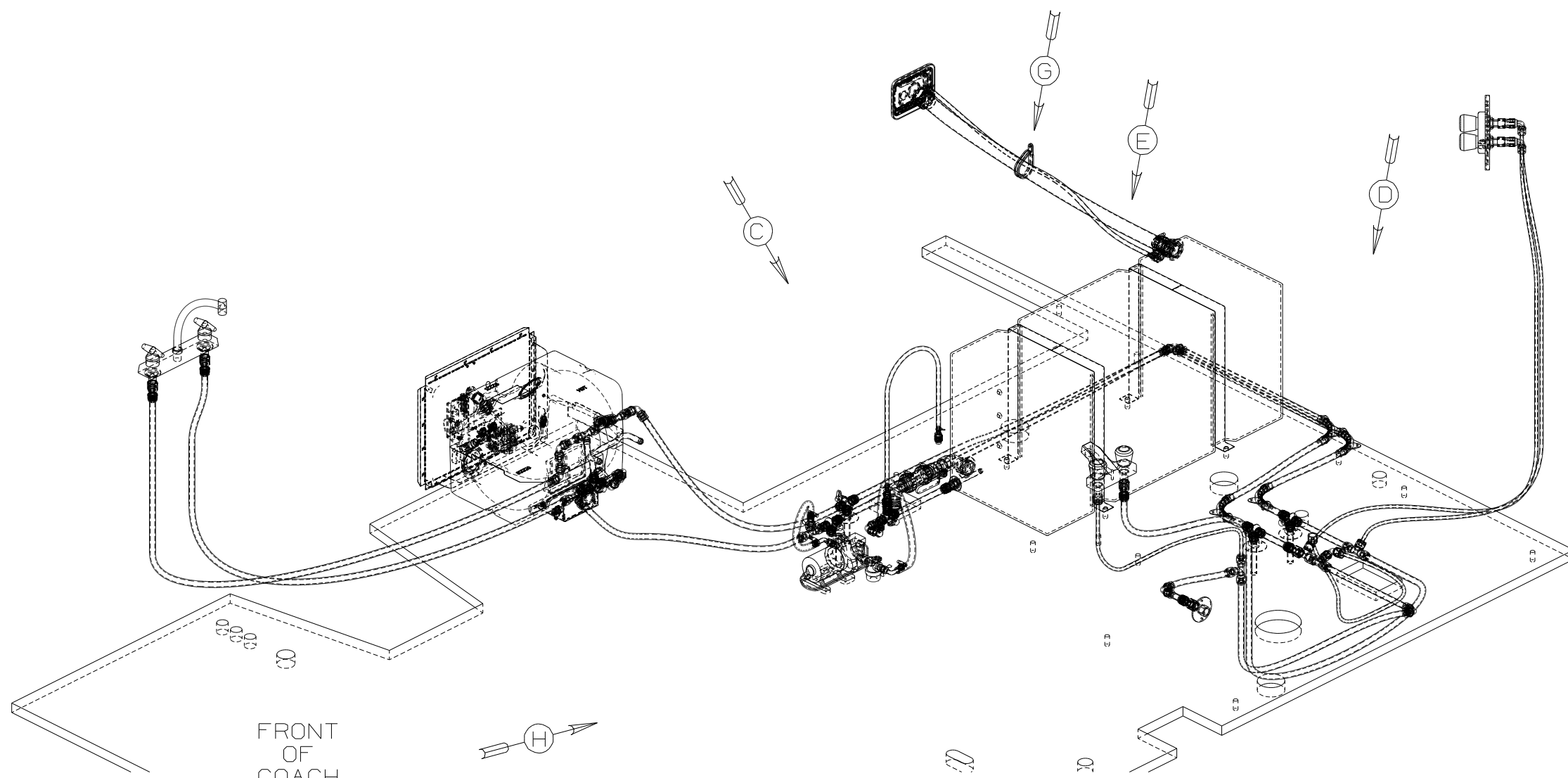


VIEW F

VIEW G

VIEW H

FIRST USED	09 224V
TITLE	DO NOT SCALE DRAWING
TITLE	DRAINAGE SYSTEM INSTL
SHEET 4	PART NO 167055 REV



FRONT  
OF  
COACH

- 10 ATTACH WASHER-PLASTIC 87080-13-CHT WITH TAPE-DOUBLE 123816-03-000 ON BOTTOM SIDE OF FLOOR.
- 9 ATTACH WASHER-PLASTIC 87080-11-CHT WITH TAPE-DOUBLE 123816-03-000 ON BOTTOM SIDE OF COMPARTMENT
- 8 LABEL THE HOT AND COLD SUPPLY RISER TUBES AND TAPE FITTING TO TUBE BEFORE CABINET SET TO PREVENT MOVEMENT.
- 7 ADD PIPE WRAP (LADDER SCRAP) 110132-02 INSULATION HERE OR USE CARPET PAD (SCRAP) 75233-06-000.
- 6 ADD TEFLON TAPE 10405-01-000.
- 5 ADD TEFLON TAPE 10405-03-000.
- 4 ADD TEFLON TAPE 10405-02-000.
- 3. ALL TUBING TO BE SECURED AT 1200 INTERVALS MAXIMUM WITH CLAMP 10495-01-000 OR EQUIVALENT.
- 2. TUBING TO BE INSTALLED WITH SUFFICIENT SLOPE TO PROVIDE DRAINAGE TO NEAREST VALVE.
- 1. PLASTIC FITTINGS TO BE SEALED WITH SEALANT 84456-01-000.

NOTES:

- 53E WATER SYS WINTERIZATION PKG
- 53F WATER HEATER-6 GAL-ELEC IGN
- 53B WTR HTR-6GAL ELECTRIC/LP GAS
- 08P INTERIOR UPGRADE - WITHOUT
- 644 GREAT ALASKAIN RENTAL

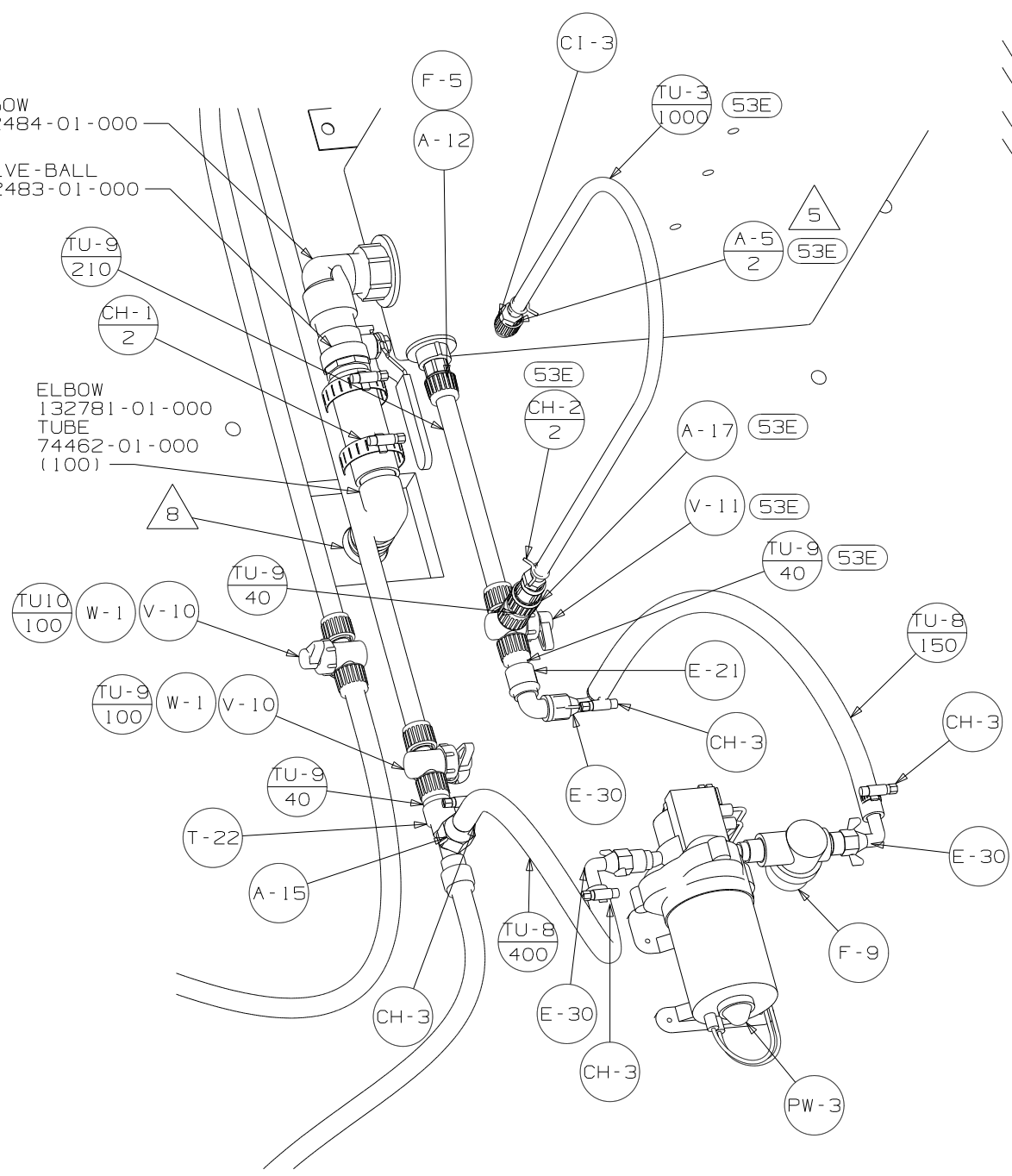
(X-X)  
FOR  
WATER  
CALLOUTS  
SEE DWG NO  
116230-01-000

<b>WINNEBAGO</b>		COPYRIGHT 2009 WINNEBAGO INDUSTRIES, INC.	
DFT	ORIG. DATE	ALL DIMENSIONS ARE IN MILLIMETERS	
CHKR		FIRST USED	
P.E.		09 224V	
M.E.		UNSPECIFIED TOLERANCES ARE:	
DSNR		MATERIAL:	
		WHOLE DIM (X)	: 3
		ONE-PLACE (X.X)	:
		TWO-PLACE (X.XX)	:
		ANGLE	:
THIRD ANGLE PROJECTION		DO NOT SCALE DRAWING	
TITLE: WATER SYSTEM INSTL			
SHEET 1 OF 5	PART NO	167058	REV
REF:	1 4/22/2009		

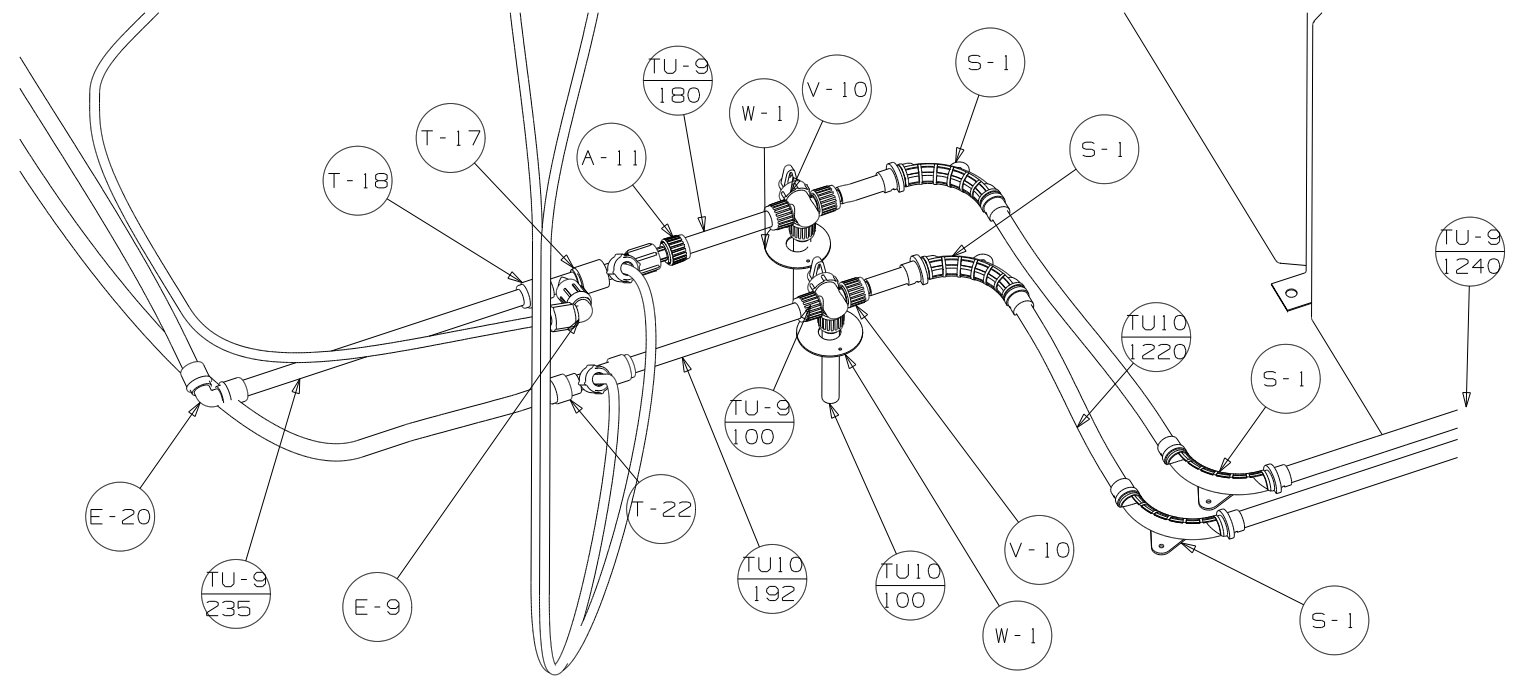


ELBOW  
132484-01-000  
VALVE-BALL  
132483-01-000

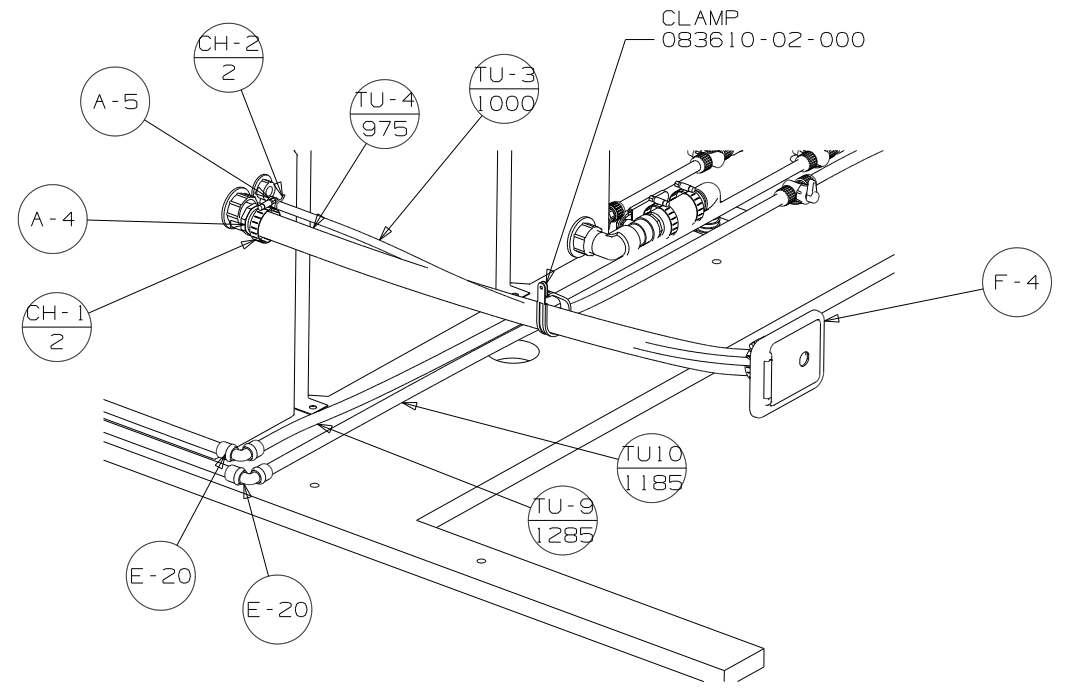
ELBOW  
132781-01-000  
TUBE  
74462-01-000  
(100)



VIEW C

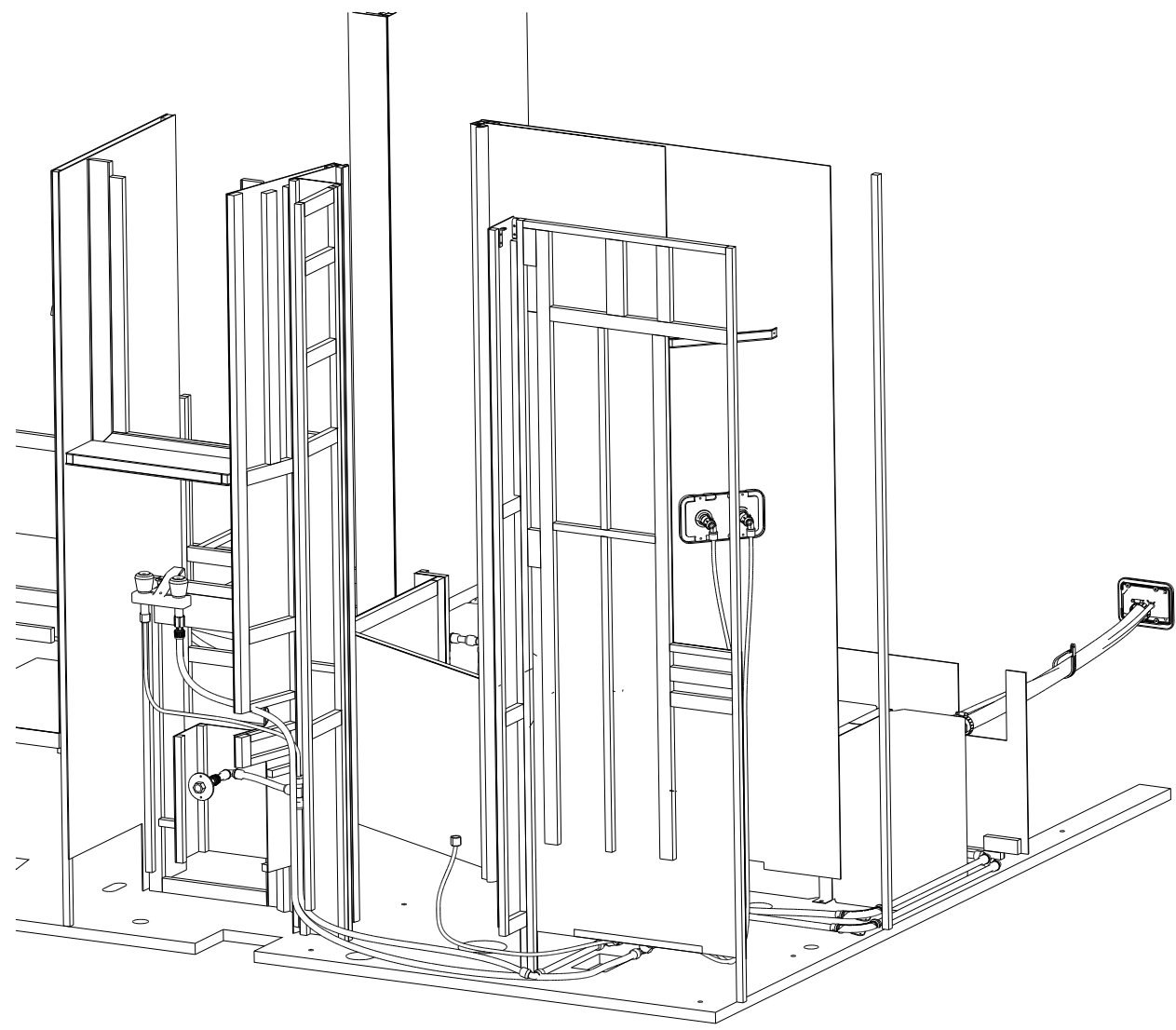


VIEW D  
(FLOOR NOT SHOWN)

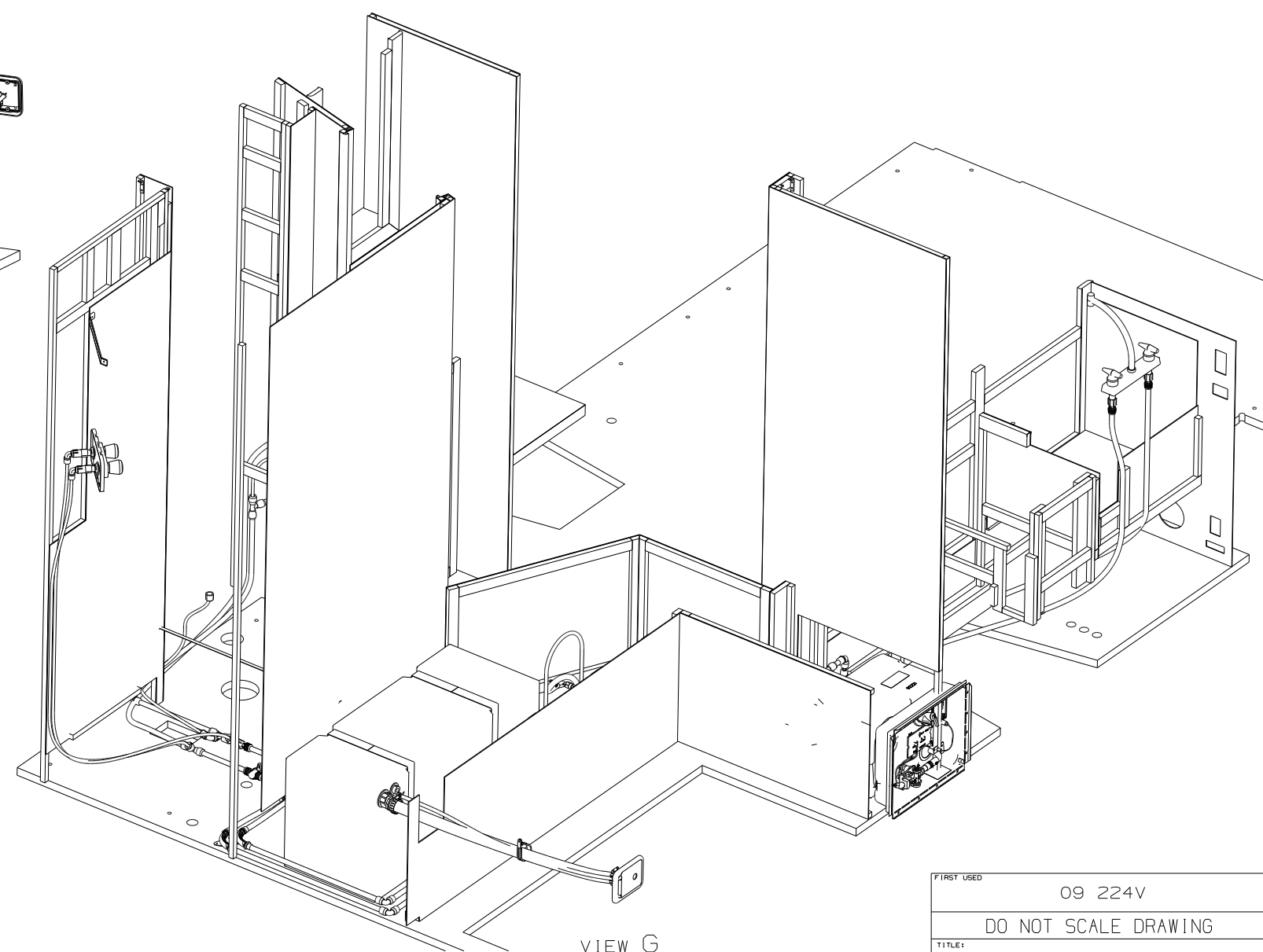


VIEW E

FIRST USED	09 224V
DO NOT SCALE DRAWING	
TITLE:	WATER SYSTEM INSTL
SHEET 3	PART NO 167058 REV



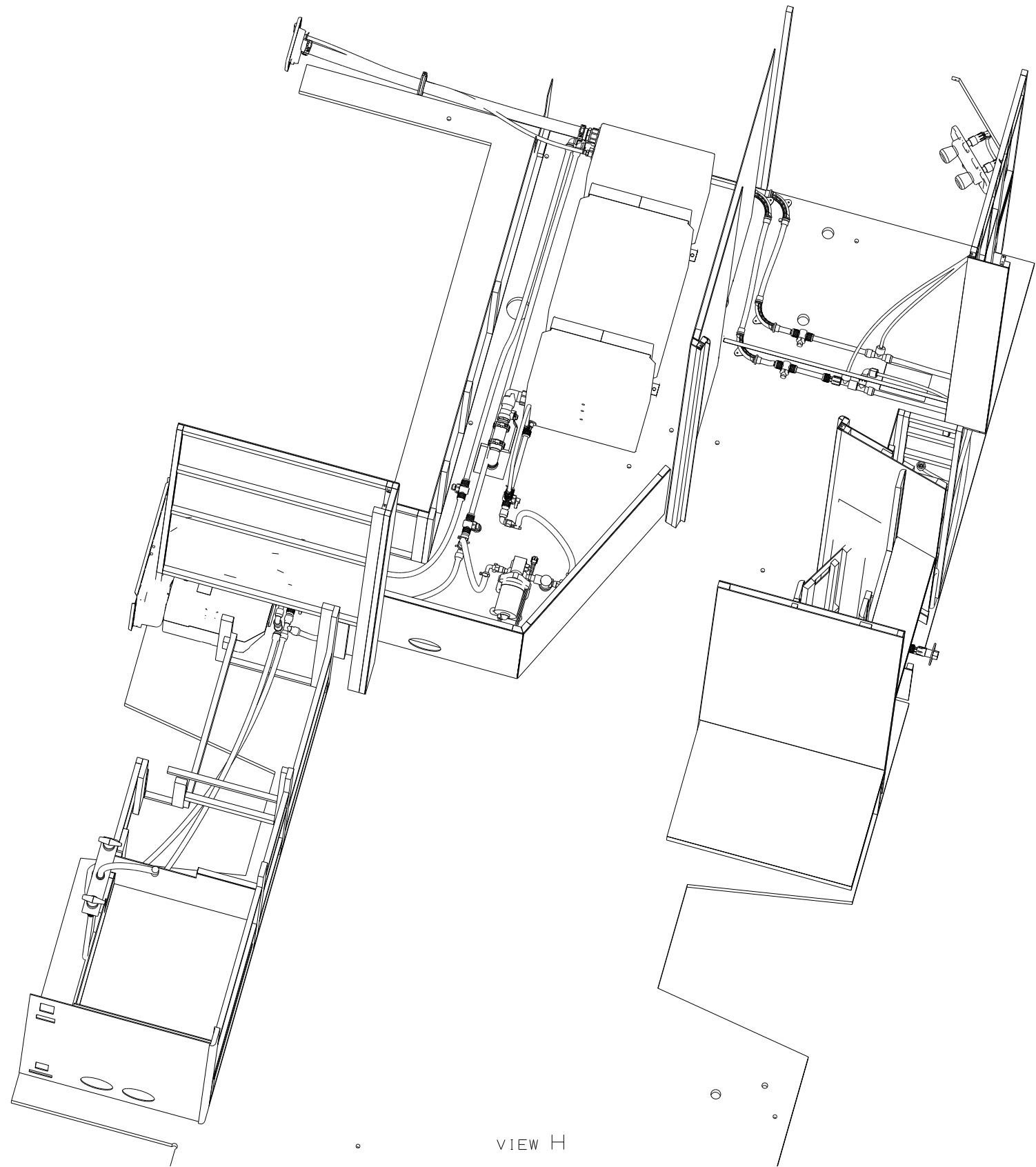
VIEW F



VIEW G

FIRST USED	09 224V
TITLE	DO NOT SCALE DRAWING
SHEET 4	WATER SYSTEM INSTL
PART NO	167058
REV	





VIEW H

FIRST USED	09 224V
TITLE	DO NOT SCALE DRAWING
SHEET 5	PART NO 167058 REV