

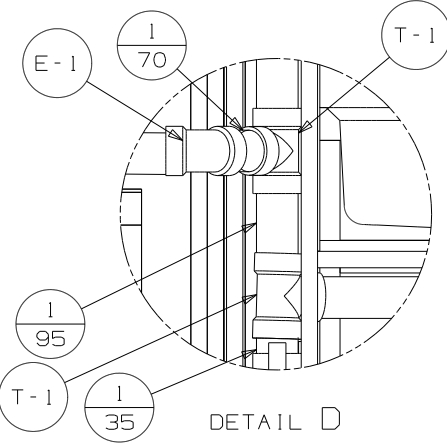
- (B1) CODES/STANDARDS-USA
- (265) CODES/STDS-CSA/CMVSS
- (23T) HEATED HOLDING TANKS PACKAGE
- (464) TOILET
- (644) GREAT ALASKAN RENTAL PACKAGE

- 10 POSITION WITHIN 20 MM OF TANK OUTLET.
- 9 SEE WIRING INST-BODY,12V FOR ELECTRICAL CONNECTION.
- 8 SECURE PIPES TO CABINET USING WIRE TIE 108046-02-000, AND SCREW G67-10-12B.
- 7 SECURE VENT TUBES TO FLOOR WITH CLAMP 62401-02-000 (2),SCREW G67-10-12B (2), BRACKET 136878-01-CHT (2).
- 6 VENT PIPE MUST PROJECT 51 MIN AND 64 MAX ABOVE ROOF FOR PROPER FIT AND FUNCTION. ADD S-1 (116666-01-CHT SEAL-VENT PIPE) AROUND PIPE ON ROOF BEFORE VENT CAP IS INSTALLED.
- 5. SEAL AROUND SHOWER WITH SILICONE.
- 4. ALL EXTERIOR OPENINGS AROUND PIPE TO BE SEALED WITH 131264-03-000.
- 3. ALL PIPE AND FITTINGS TO BE ASSEMBLED WITH SOLVENT 4020-01-000 (USA), 4020-02-000 (CAN)
- 2. SLOPE OF TRAP ARM MUST BE 6 PER 305 mm.
- 1. SLOPE OF HORIZONTAL PIPING TO BE MIN 3 PER 305 mm.

NOTES:

<b>WINNEBAGO</b>		COPYRIGHT 2008 WINNEBAGO INDUSTRIES, INC.	
DFTR	ORIG. DATE	ALL DIMENSIONS ARE IN MILLIMETERS	
CHKR		FIRST USED	
P.E.		09 222B	
M.E.		UNSPECIFIED TOLERANCES ARE:	
DSNR		MATERIAL:	
		WHOLE DIM (X) :	7
		ONE-PLACE (X.X) :	
		TWO-PLACE (X.XX) :	
		ANGLE :	
THIRD ANGLE PROJECTION		DO NOT SCALE DRAWING	
TITLE: DRAINAGE SYSTEM INSTL			
SHEET 1 OF 3	PART NO 169085	REV	

(X-X)  
FOR  
DRAINAGE  
CALLOUTS  
SEE DWG NO  
116229-01-000



DETAIL D

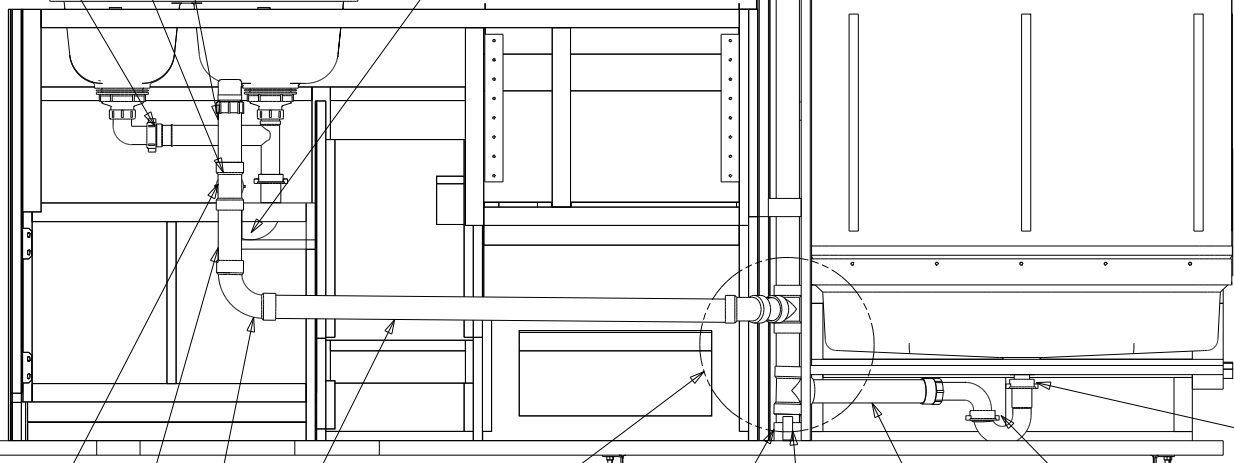
- SINK  
163942-02-CHT
- STRAINER  
92303-01-000 (2)
- BRACKET  
140002-01-CHT (8)
- SCREW  
G67-10-08B (8)
- SEAL (A/R)

- A-15 (1B1)
- P-3 (265)
- P-1 (1B1)



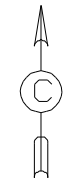
1  
1940

CP-2  
6



- 1B1 1/90
- 1/140
- E-6
- 1/960
- 265 1/190

DETAIL D



VIEW A

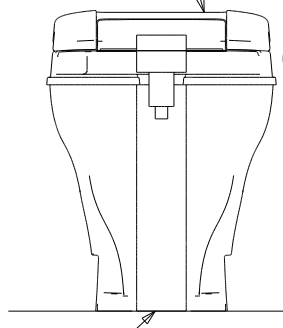
- C-3
- 1/55
- G-1

- 1/265 (1B1)
- 1/365 (265)
- P-1 (1B1)
- P-3 (265)
- A-15 (1B1)

BRACKET-PIPE, VENT  
136878-01-CHT

- SHOWER INSTL-ENCL  
147883-01-000
- SEALANT  
11069-06-000
- TAILPIECE  
130403-01-000
- NUT  
127440-02-CHT
- WASHER-RUBBER  
66440-01-000
- STRAINER

- TOILET  
464 147421-04-CHT
- 644 160815-03-CHT



- F-6
- N-3
- G-2

- A-15 (1B1)
- P-3 (265)
- P-1 (1B1)

- SINK-LAV  
96927-01-CHT
- SEAL  
91255-02-000 (A/R)

1  
175

1  
40

- C-3
- 1/55
- G-1

VIEW B

BRACKET-PIPE, VENT  
136878-01-CHT

6 CP-2 1 380 E-1

1  
500

E-1

1  
745

1  
200

E-5

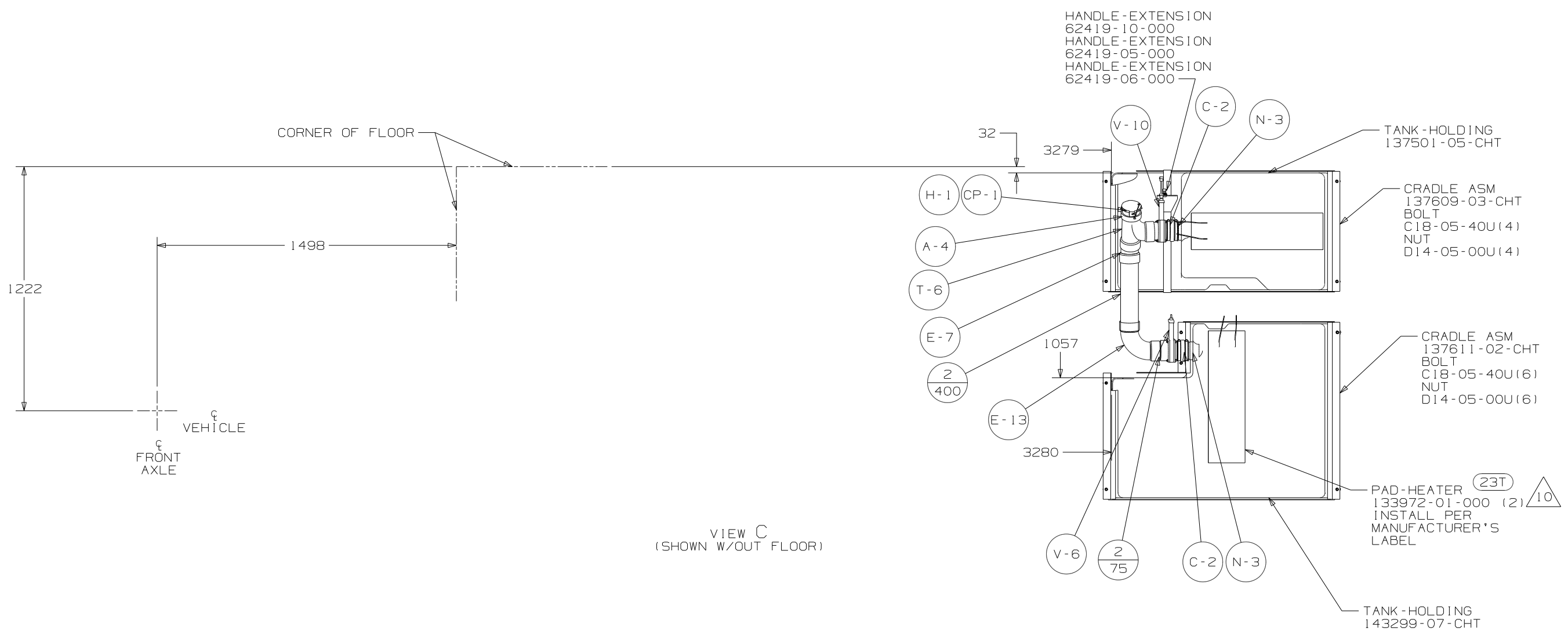
1  
370

E-1

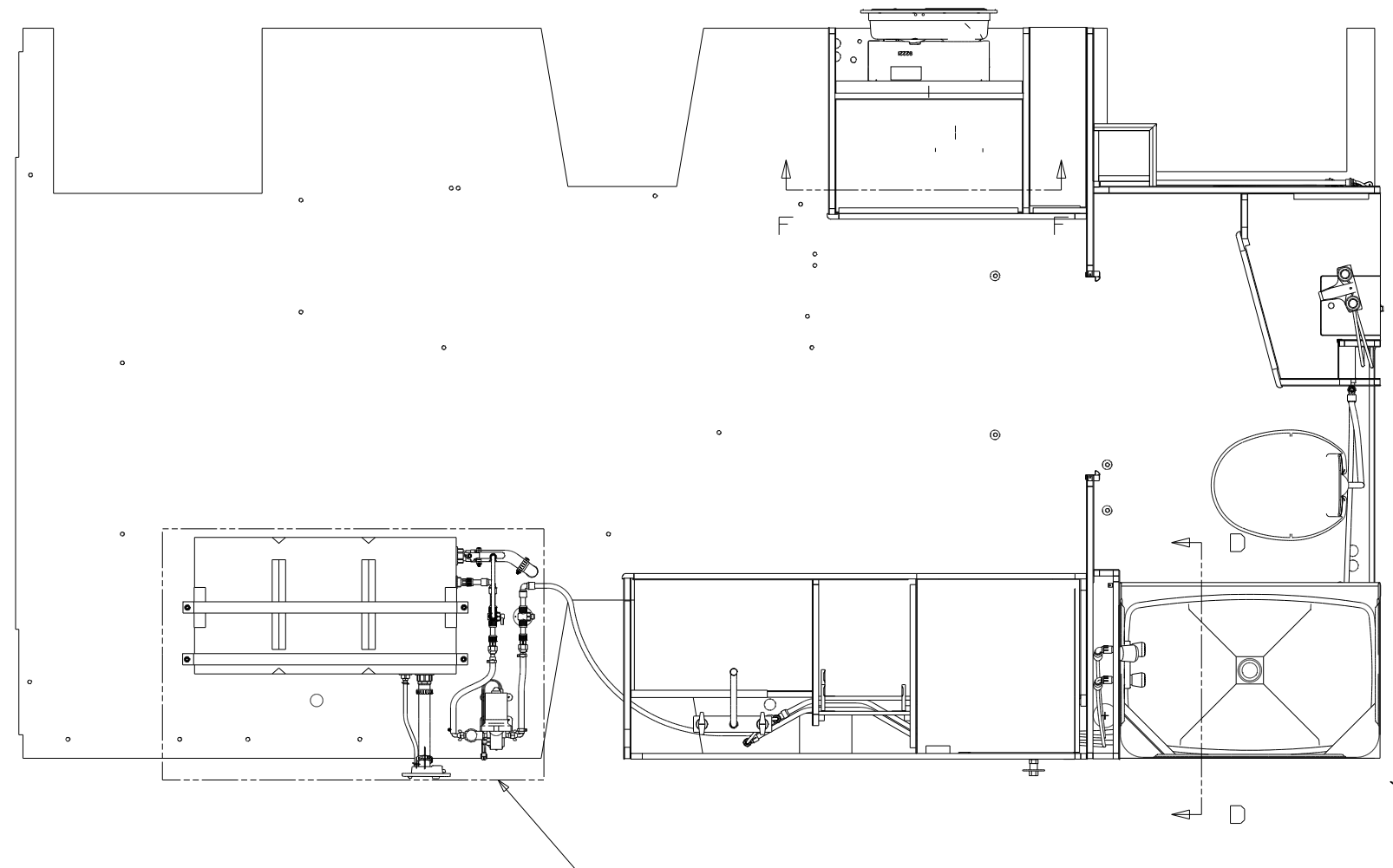
1  
65

E-6

FIRST USED	09 222B
DO NOT SCALE DRAWING	
TITLE:	DRAINAGE SYSTEM INSTL
SHEET 2	PART NO 169085 REV



FIRST USED	09 222B		
TITLE:	DO NOT SCALE DRAWING		
	DRAINAGE SYSTEM INSTL		
SHEET 3	PART NO	169085	REV



- 1. PLASTIC FITTINGS TO BE SEALED WITH SEALANT 84456-01-000.
- 2. TUBING TO BE INSTALLED WITH SUFFICIENT SLOPE TO PROVIDE DRAINAGE TO NEAREST VALVE.
- 3. ALL TUBING TO BE SECURED AT 1200 INTERVALS MAXIMUM WITH CLAMP 10495-01-000 AND SCREW G67-10-12B OR EQUIVALENT.
- 4. ADD TEFLON TAPE 10405-01-000.
- 5. ADD TEFLON TAPE 10405-02-000.
- 6. ADD TEFLON TAPE 10405-03-000.
- 7. ADD PIPE WRAP (LADDER SCRAP) INSULATION HERE.
- 8. ATTACH WASHER-PLASTIC 87080-13-CHT WITH TAPE-DOUBLE 123816-03-000 ON BOTTOM SIDE OF FLOOR.
- 9. TAPE FITTING TO TUBE BEFORE CABINET SET TO PREVENT FITTING FROM MOVING.
- 10. LABEL HOT AND COLD SUPPLY LINES.
- 11. ADD PIPE WRAP (LADDER SCRAP) INSULATION HERE; OR USE CARPET PAD (SCRAP) 75233-06-000.

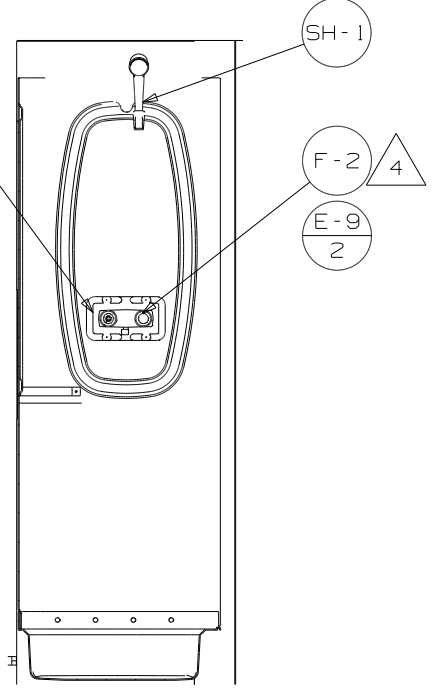
- 53E WATER SYS WINTERIZATION PKG
- 53F WATER HEATER-6 GAL-ELEC 1GN

<b>WINNEBAGO</b>		COPYRIGHT 2009 WINNEBAGO INDUSTRIES, INC.	
DFTR	ORIG. DATE	ALL DIMENSIONS ARE IN MILLIMETERS	
CHKR			
P.E.			
M.E.	FIRST USED		
DSNR	09 222B		
UNSPECIFIED TOLERANCES ARE:		MATERIAL:	
WHOLE DIM (X)	: 3		
ONE-PLACE (X.X)	:		
TWO-PLACE (X.XX)	:		
ANGLE	:		
THIRD ANGLE PROJECTION			
<b>DO NOT SCALE DRAWING</b>			
TITLE: WATER SYSTEM INSTL			
SHEET 1 OF 3	PART NO	169088	REV
REF:	1 4/27/2009		

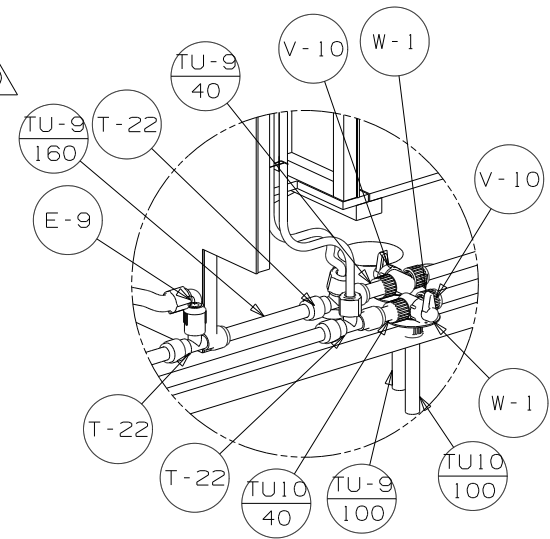
FOR  
WATER  
CALLOUTS  
SEE DWG NO  
116230-01-000



PANEL  
78498-01-CHT  
SCREW  
G11-08-12U (4)  
COVER  
78500-01-CHT (4)



SECTION D-D  
(ROTATED)



DETAIL C

FAUCET-LAV  
148886-01-CHT

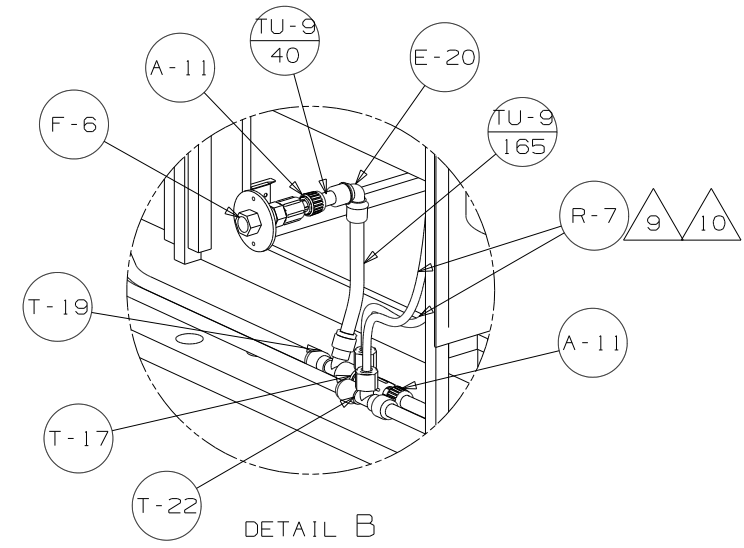
R-4 9 10

S-1

S-1

TU-9 1865

DETAIL C



DETAIL B

FAUCET-GALEY  
140117-02-CHT

9 10 R-4

TU-9 1055

E-21

T-22

TU10 1045

TU-9 840

DETAIL B

S-1

S-1

TU-9 1965

R-9

TU10 2310

VIEW A

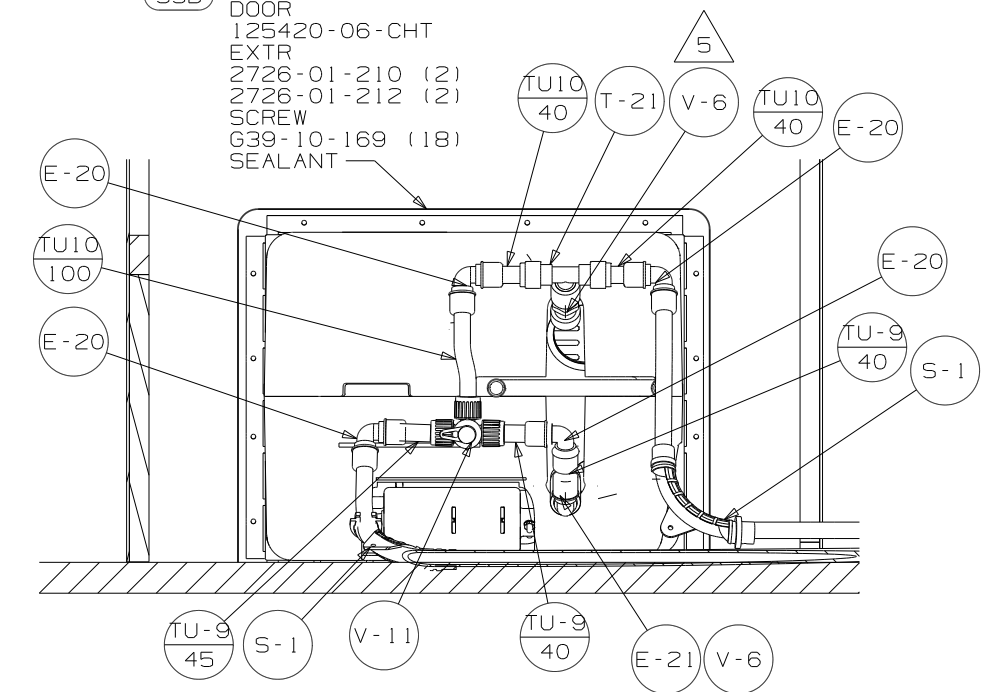
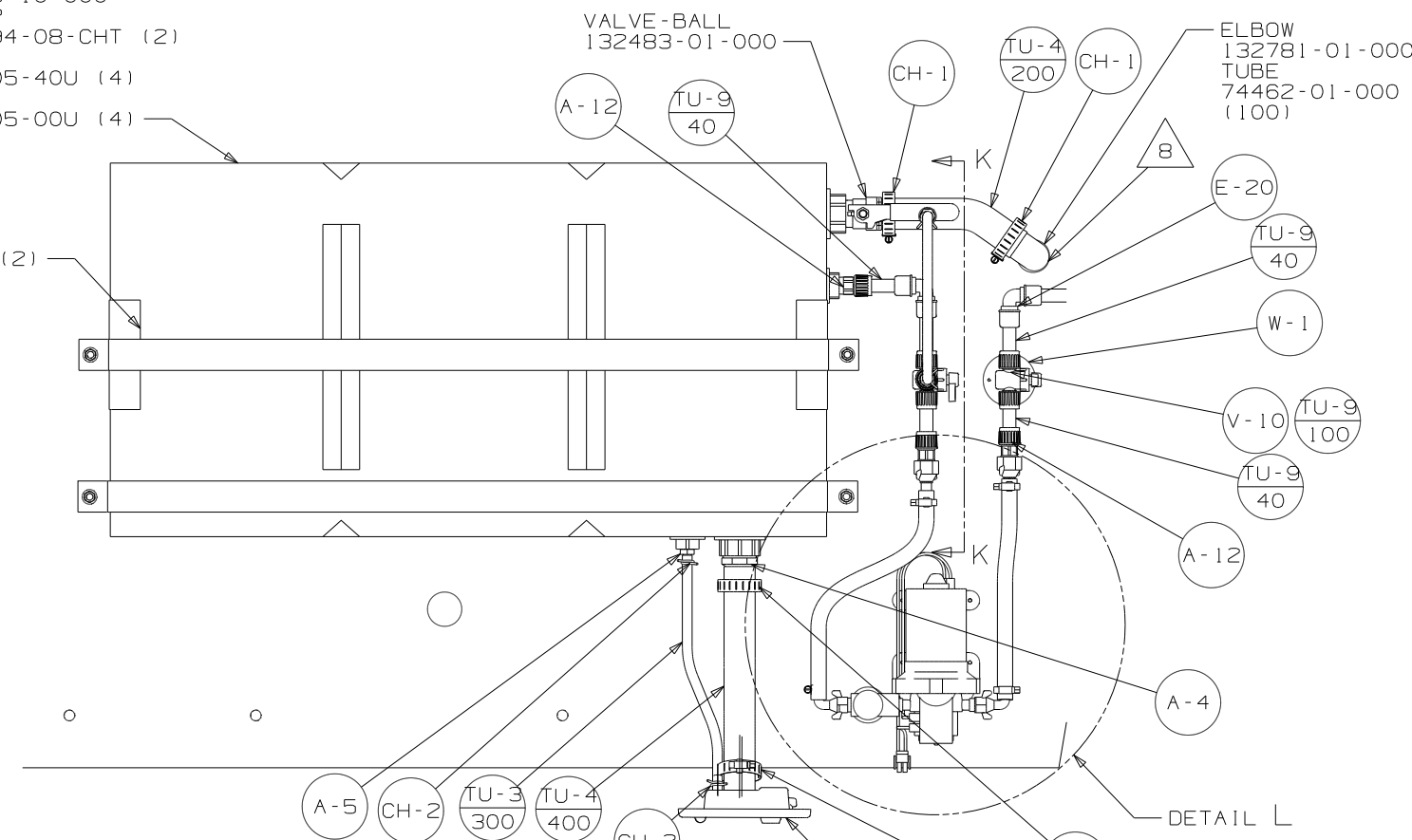
FIRST USED	09 222B	
TITLE:	DO NOT SCALE DRAWING	
	WATER SYSTEM INSTL	
SHEET 2	PART NO	REV
	169088	

TANK  
45195-10-000  
STRAP  
118994-08-CHT (2)  
BOLT  
C18-05-40U (4)  
NUT  
D39-05-00U (4)

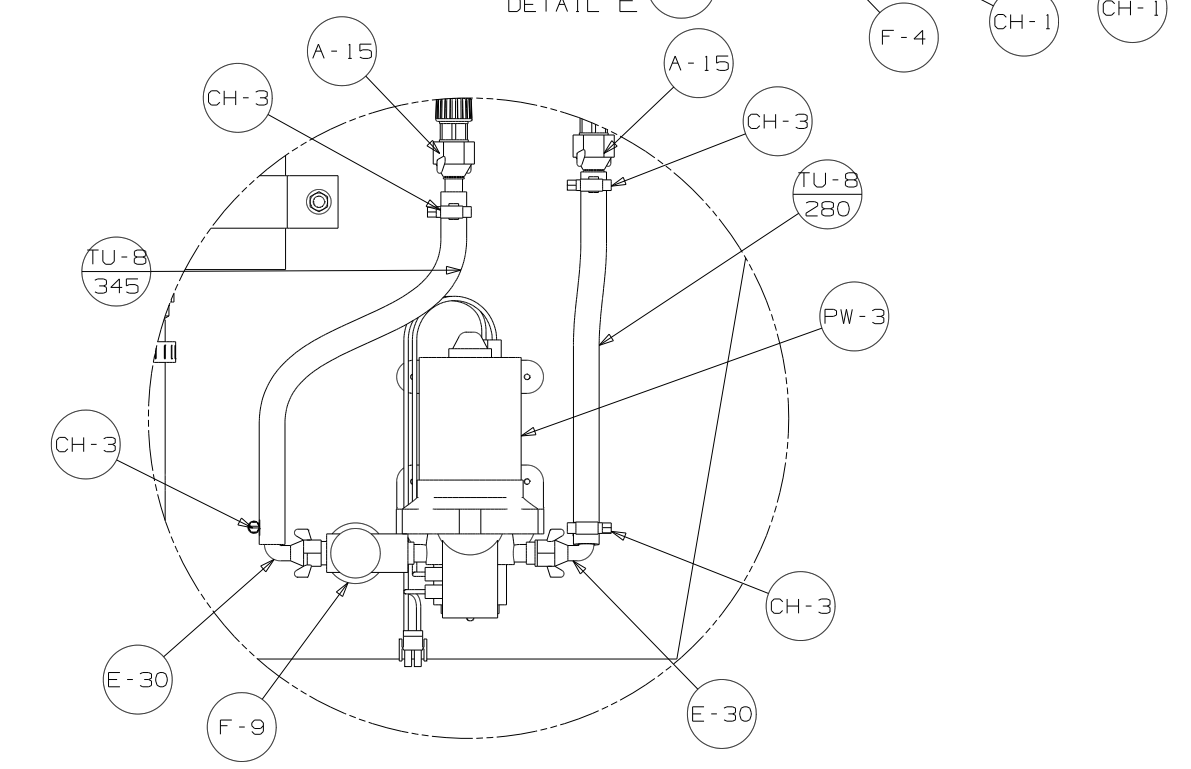
VALVE-BALL  
132483-01-000

ELBOW  
132781-01-000  
TUBE  
74462-01-000  
(100)

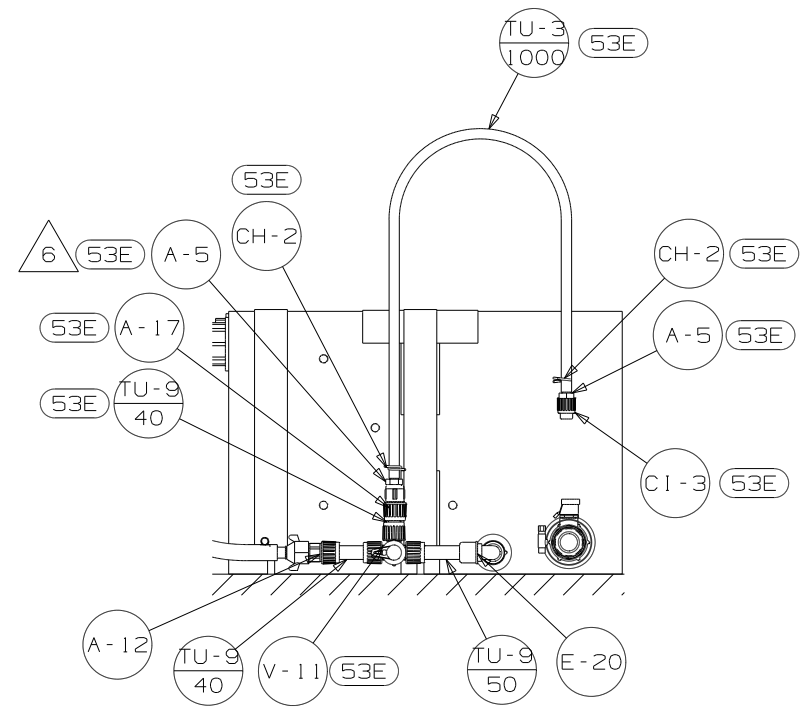
53F WATER HEATER  
51391-03-000  
53B 145541-02-000  
DOOR  
125420-06-CHT  
EXTR  
2726-01-210 (2)  
2726-01-212 (2)  
SCREW  
G39-10-169 (18)  
SEALANT



SECTION F-F



DETAIL L



SECTION K-K (ROTATED)

FIRST USED	09 222B
TITLE:	DO NOT SCALE DRAWING
	WATER SYSTEM INSTL
SHEET 3	PART NO 169088 REV