



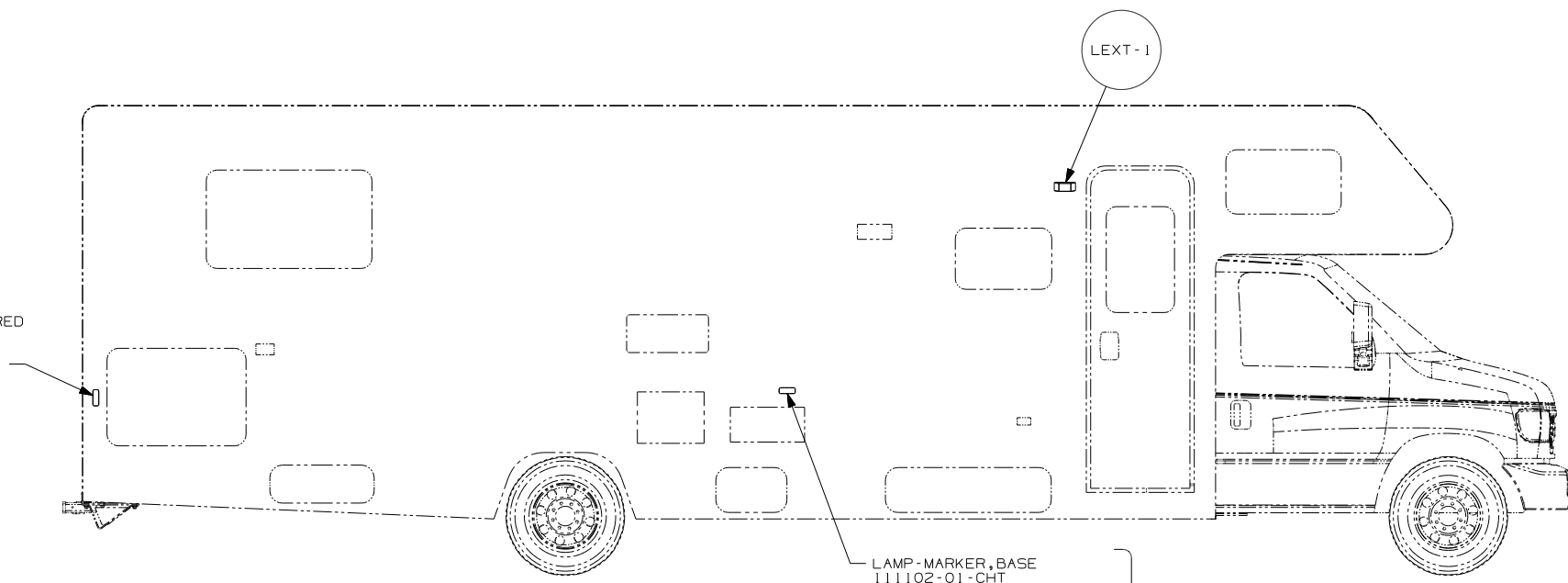
DANGER

Danger of electrical shock, burns or death. Always remove all power sources before attempting any repair, service or diagnostic work. Power can be present from shore power, generator, inverter or battery. All power sources must be disabled and secured before performing any service.



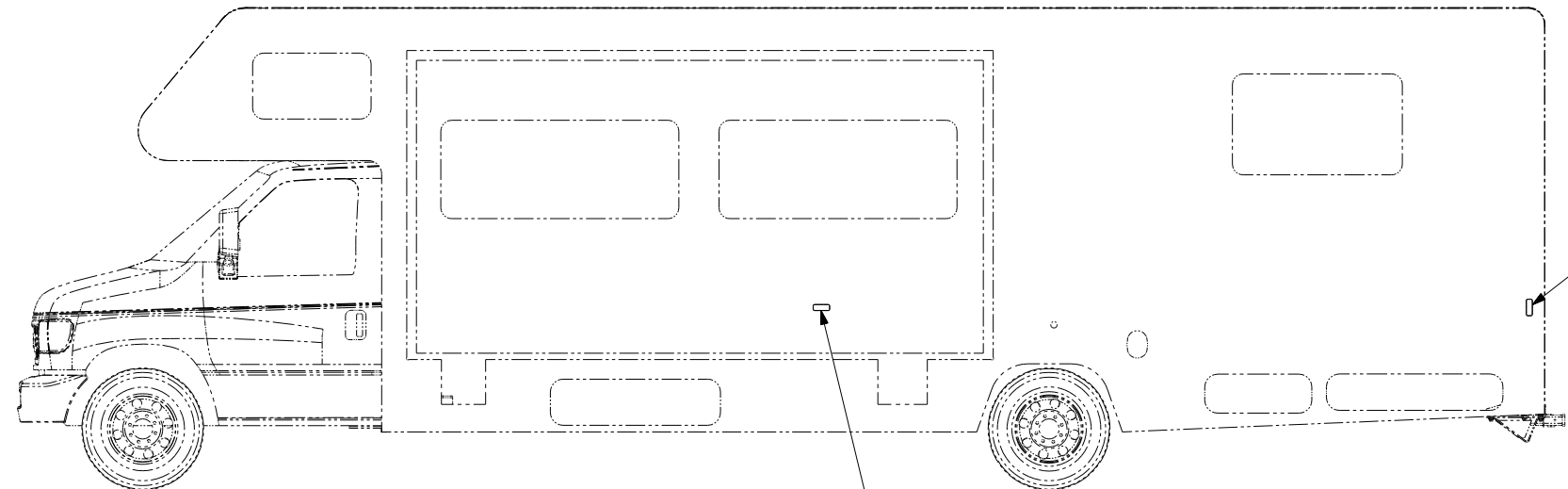
CAUTION

If you lack the skills, tools or equipment to perform diagnostic or repair work leave such work to an authorized Winnebago Industries dealer or other qualified shop.



LAMP-MARKER, BASE
111102-01-CHT
LAMP ASM-CLEARANCE, RED
111102-03-CHT
SCREW
G11-08-12U (EXT) (2)

LAMP-MARKER, BASE
111102-01-CHT
LAMP ASM-CLEARANCE, AMBER
111102-02-CHT
SCREW
G11-08-12U (EXT) (2)
CONNECTOR
58028-01-000 (2)



LAMP-MARKER, BASE
111102-01-CHT
LAMP ASM-CLEARANCE, RED
111102-03-CHT
SCREW
G11-08-12U (EXT) (2)

LAMP-MARKER, BASE
111102-01-CHT
LAMP ASM-CLEARANCE, AMBER
111102-02-CHT
SCREW
G11-08-12U (EXT) (2)
CONNECTOR
58028-01-000 (2)

265 CODES/STANDARDS-CSA/CMVSS
1B1 CODES/STANDARDS USA
1B1 265



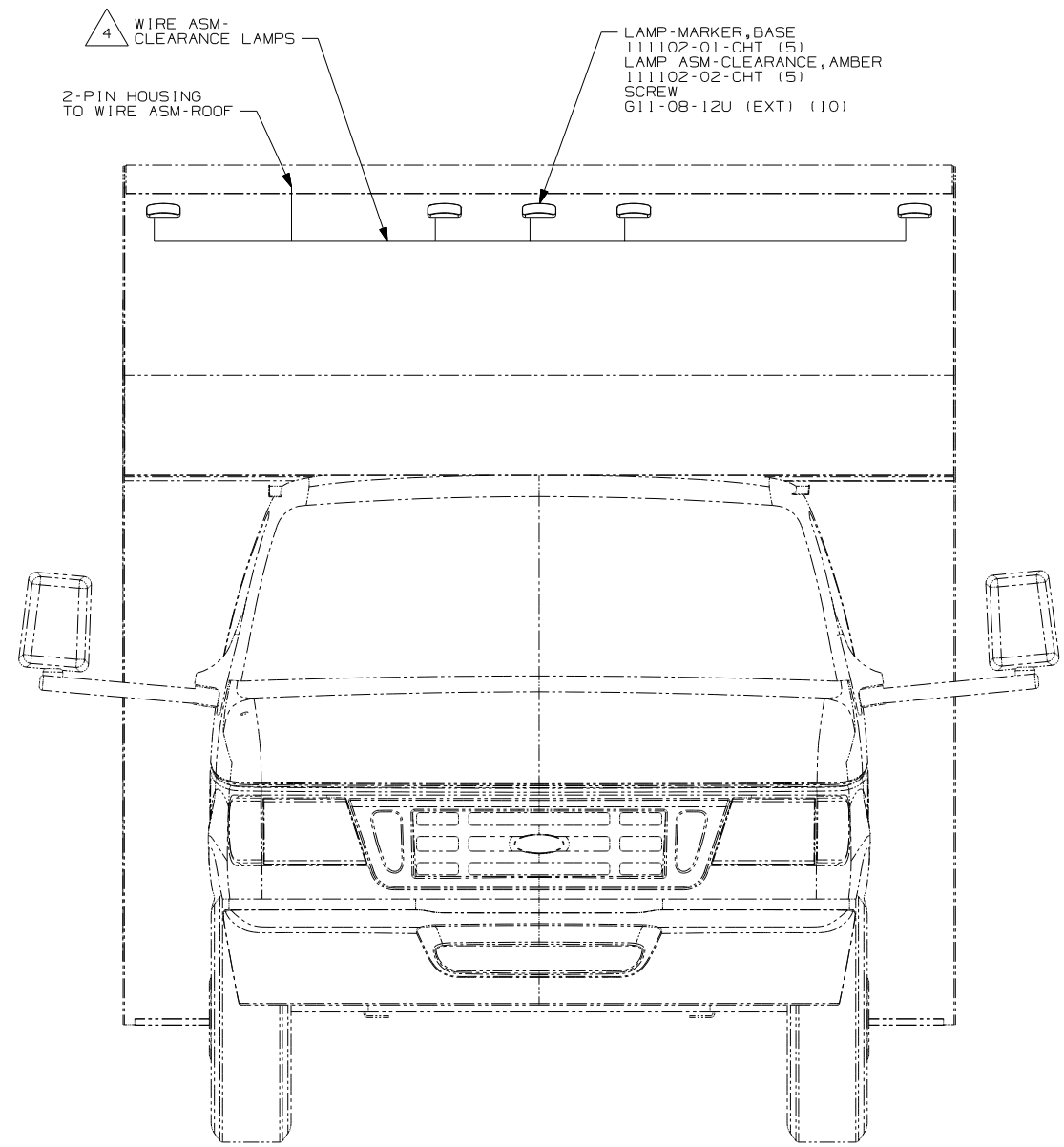
D/FR	ORIG. DATE
CHKR	ALL DIMENSIONS ARE IN MILLIMETERS
P.E.	
M.E.	FIRST USED
DSNR	09 200-SER
UNSPECIFIED TOLERANCES ARE:	MATERIAL:
HOLE DIM (X)	: 3
ONE-PLACE (X.X)	: 1.5
TWO-PLACE (X.XX)	: 0.50
ANGLE	: 1°
THIRD ANGLE PROJECTION	

FOR ELECTRICAL TORQUE SPECIFICATIONS SEE DWG NO. 128783-01-000

FOR ELECTRICAL CALLOUTS SEE DWG NO. 121339-01-000

DO NOT SCALE DRAWING
TITLE: WIRING INSTL-EXTERIOR LAMPS
SHEET 1 OF 2 PART NO 167312 REV
REF: 1 3/26/2008

1 USED ONLY WITH 231C, 229T & 231J.
NOTES:

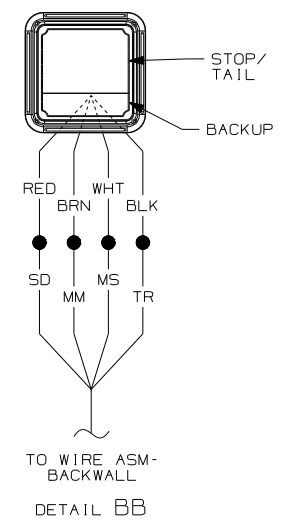
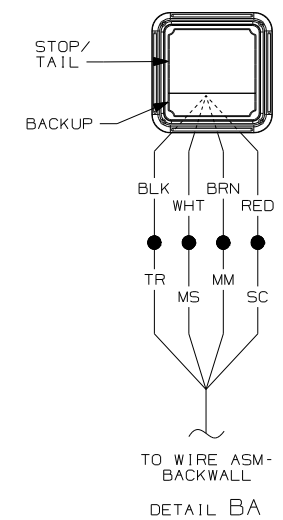
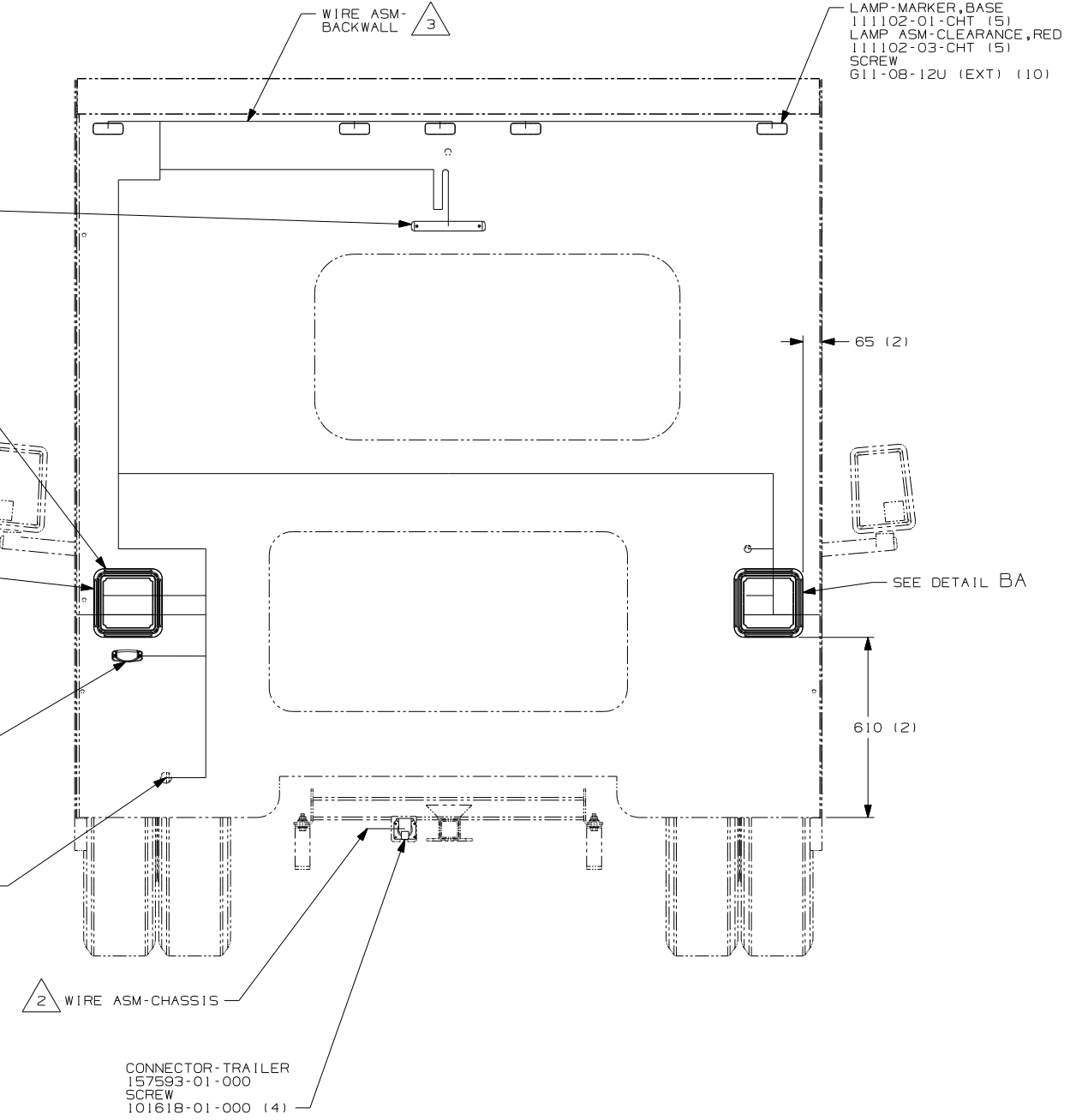


LIGHT ASM-HIGH MOUNT BRAKE
136916-01-000
SCREW
G11-02-20T (2)
CONNECTOR
58028-01-000 (2)
BLK/WHT-YEL
BLK-WHT

LAMP ASM-STOP/TURN/
TAIL/BACKUP
153658-01-CHT (2)
SCREW
G11-08-12U (8)
CONNECTOR
58028-01-000 (8)
SEALER-TAPE
69640-21-000 (3,4)

BRACKET-LICENSE
66432-03-000
SCREW
G67-10-129 (2)
LIGHT-LICENSE
66432-02-000
SCREW
G39-08-12T (EXT) (2)
CONNECTOR
58028-01-000 (2)

8-PIN HOUSING TO WIRE ASM-CHASSIS



- 4 LOCATED IN ROOF ASM-FRONT.
- 3 LOCATED IN BACKWALL ASSEMBLY
- 2 SECURE WIRE BELOW COACH WITH CLAMP 10495-01-000 AND SCREW G67-10-12B.

NOTES:
1. CONNECTOR-PLUG, TRAILER 146246-01-000 TO BE SUPPLIED LOOSE IN OWNERS PACKET WITH TRAILER TOW PACKAGE.

FOR ELECTRICAL TORQUE SPECIFICATIONS SEE DWG NO. 128783-01-000

FOR ELECTRICAL CALLOUTS SEE DWG NO. 121339-01-000

265 CODES/STANDARDS-CSA/CMVSS
1B1 CODES/STANDARDS USA
1B1 265

FIRST USED	
09 200-SER	
DO NOT SCALE DRAWING	
TITLE: WIRING INSTL-EXTERIOR LAMPS	
SHEET 2	PART NO 167312 REV