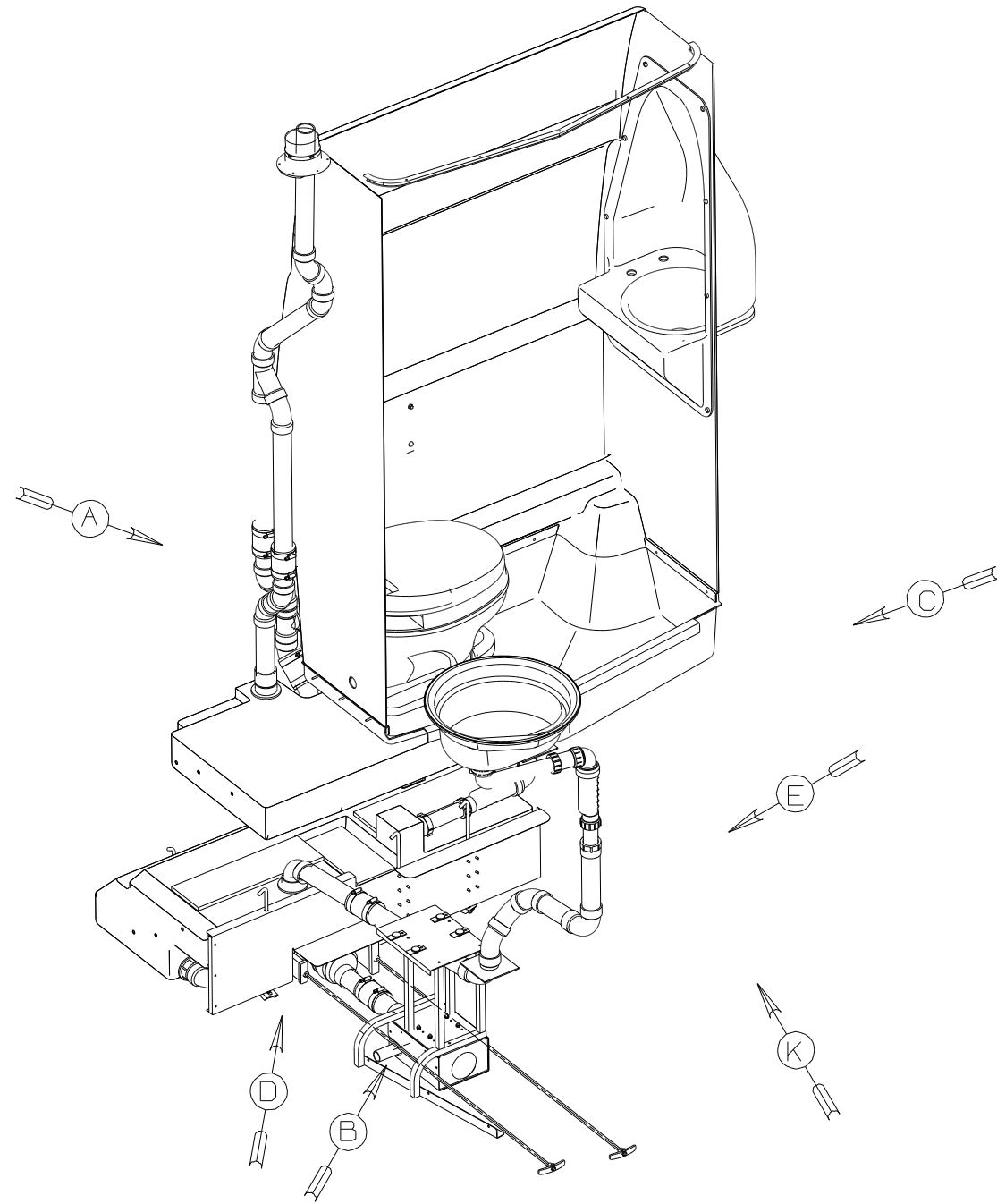


8 7 6 5 4 3 2



- 7. SECURE VENT PIPE WITH CLAMP 62401-02-000.
- 6. VENT PIPE MUST PROJECT 51 MIN AND 64 MAX ABOVE ROOF FOR PROPER FIT AND FUNCTION.
- 5. SEAL AROUND SHOWER WITH SILICONE.
- 4. SECURE DRAINAGE PIPES TO CABINET USING WIRE TIE 108046-02-000, AND SCREW G67-10-12B AT INTERVALS OF NOT MORE THAN 4 FEET APART.
- 3. ALL PIPE AND FITTINGS TO BE ASSEMBLED WITH SOLVENT 4020-01-000 (USA), 4020-02-000 (CAN)
- 2. SLOPE OF TRAP ARM MUST BE 6 PER 305 mm.
- 1. SLOPE OF HORIZONTAL PIPING TO BE MINIMUM OF 3 PER 305 mm.

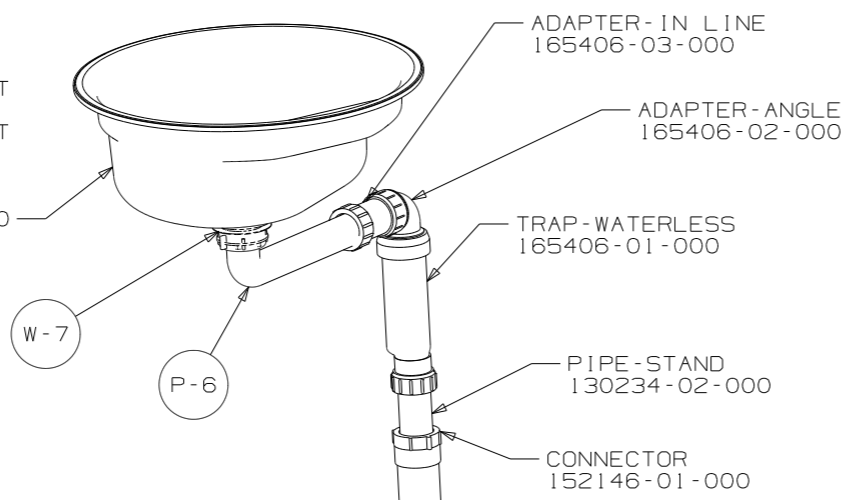
NOTES:

<b>WINNEBAGO</b>		COPYRIGHT 2009 WINNEBAGO INDUSTRIES, INC.	
DFTR	ORIG. DATE	ALL DIMENSIONS ARE IN MILLIMETERS	
CHKR		FIRST USED	
P.E.		08 BV 1170	
M.E.		UNSPECIFIED TOLERANCES ARE:	
DSNR		MATERIAL:	
		WHOLE DIM (X)	: 3
		ONE-PLACE (X.X)	: 1.5
		TWO-PLACE (X.XX)	: 0.50
		ANGLE	: 1°
THIRD ANGLE PROJECTION		DO NOT SCALE DRAWING	
TITLE: DRAINAGE SYSTEM INSTL			
SHEET 1 OF 5	PART NO	165748	REV
REF:	1 7/31/2009		

FOR  
DRAINAGE  
CALLOUTS  
SEE DWG NO  
116229-01-000

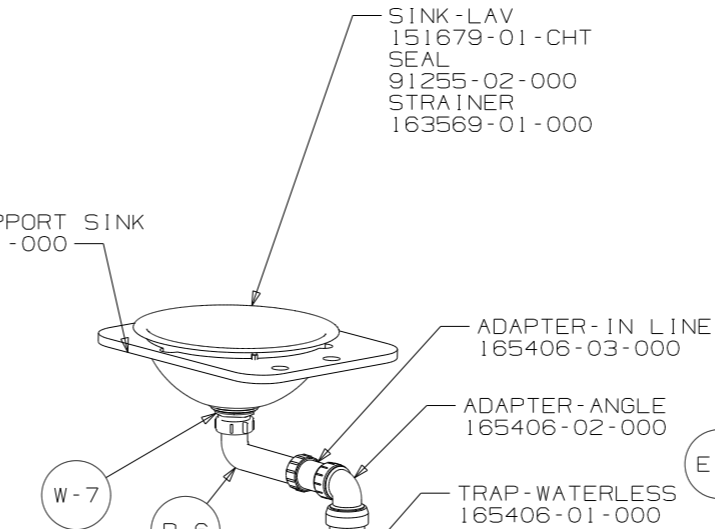
8 7 6 5 4 3 2

SINK-GALLEY  
165378-01-CHT  
FAUCET  
165378-02-CHT  
SEAL  
91255-02-000  
STRAINER  
163659-01-000

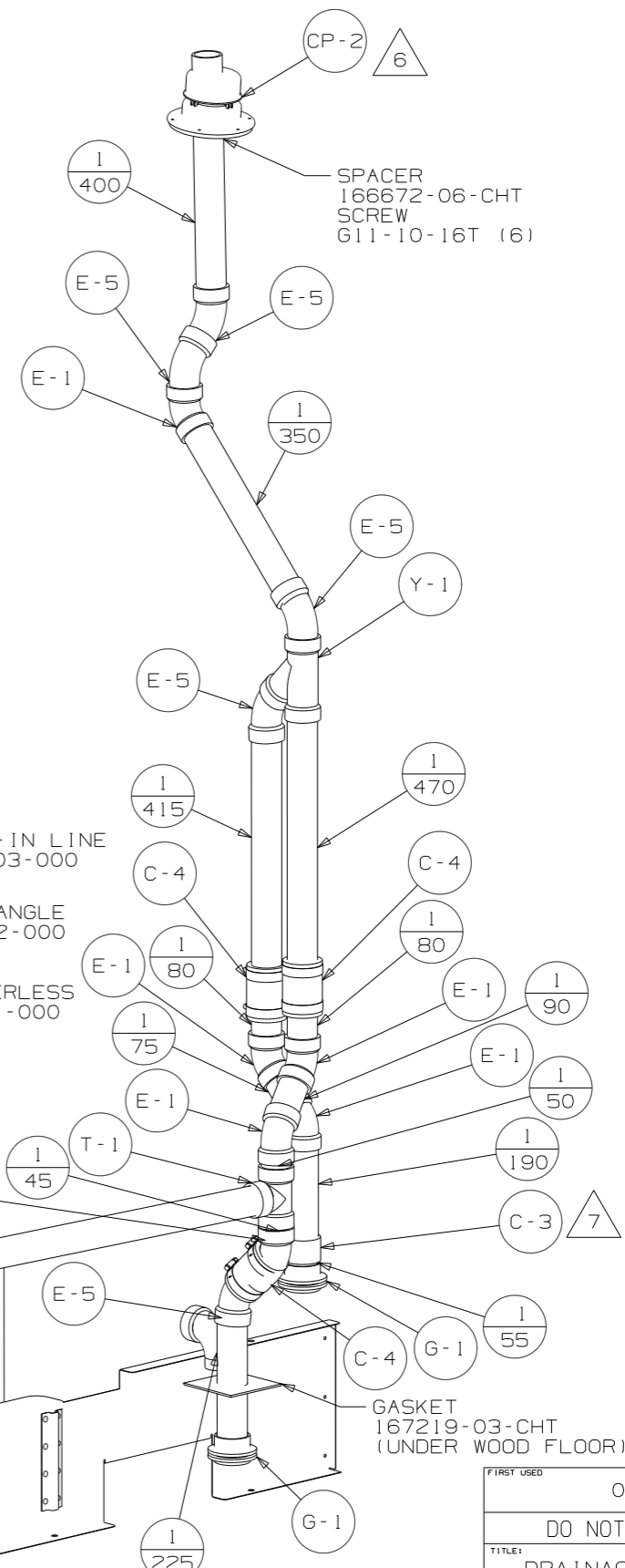


VIEW A

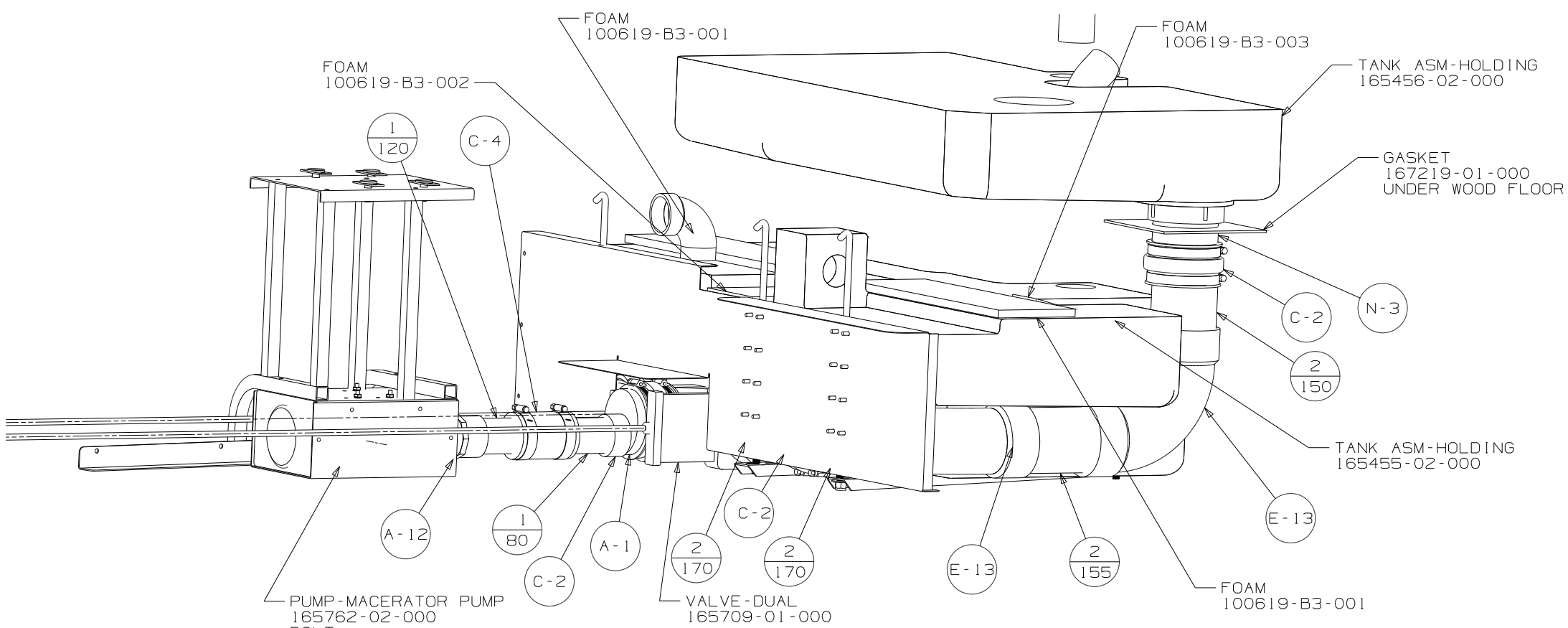
SINK-LAV  
151679-01-CHT  
SEAL  
91255-02-000  
STRAINER  
163569-01-000



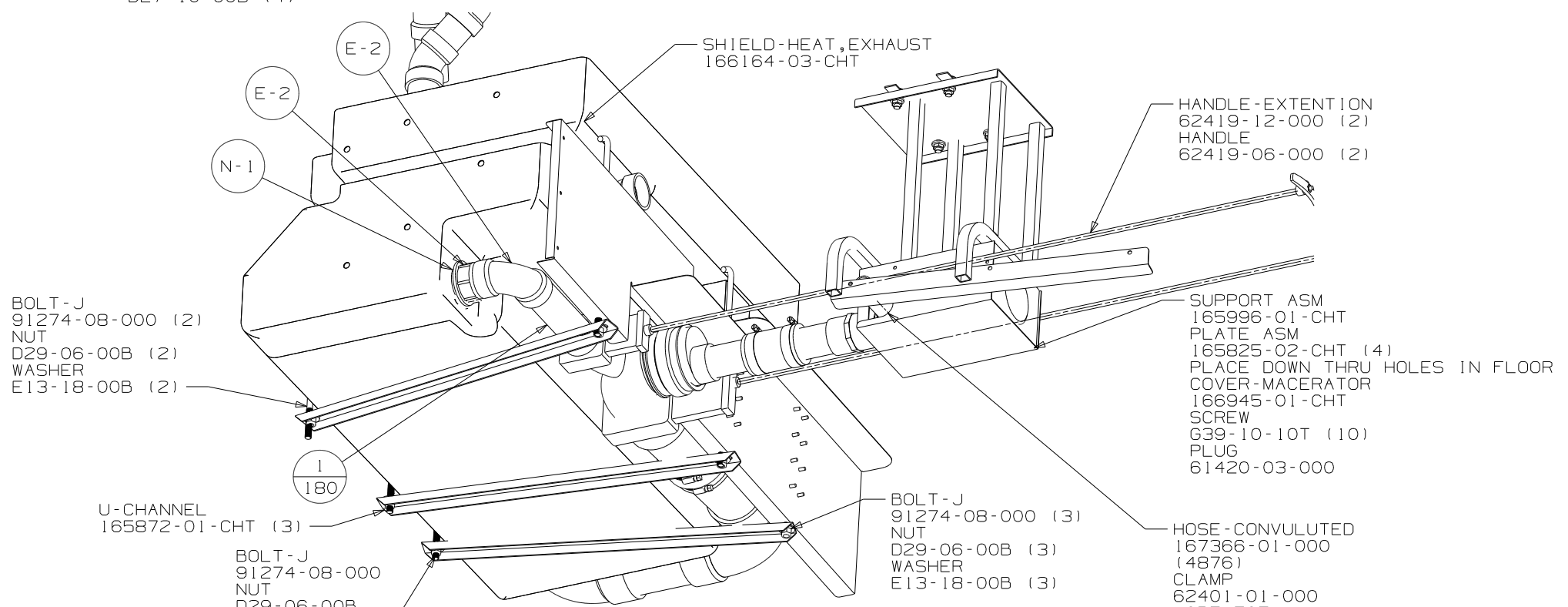
VIEW B



FIRST USED	08 BV 1170	
TITLE	DRAINAGE SYSTEM INSTL	
SHEET 2	PART NO	165748
REV		

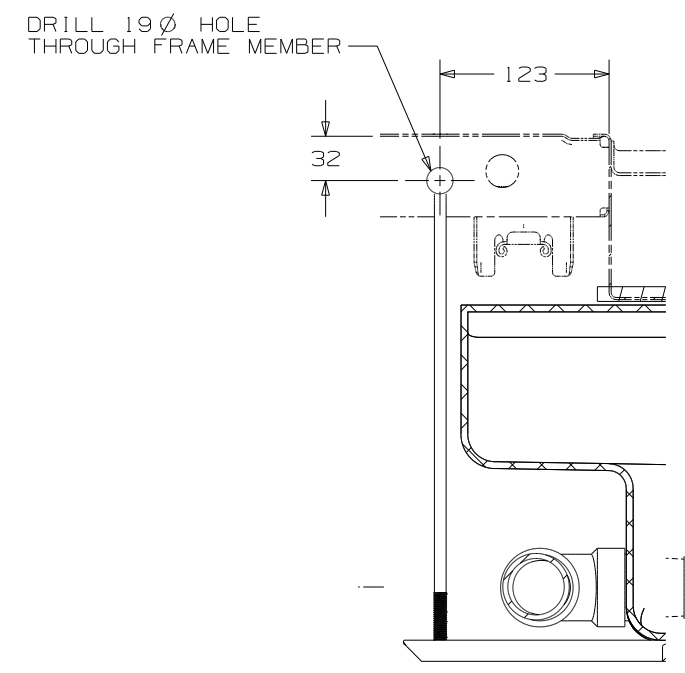
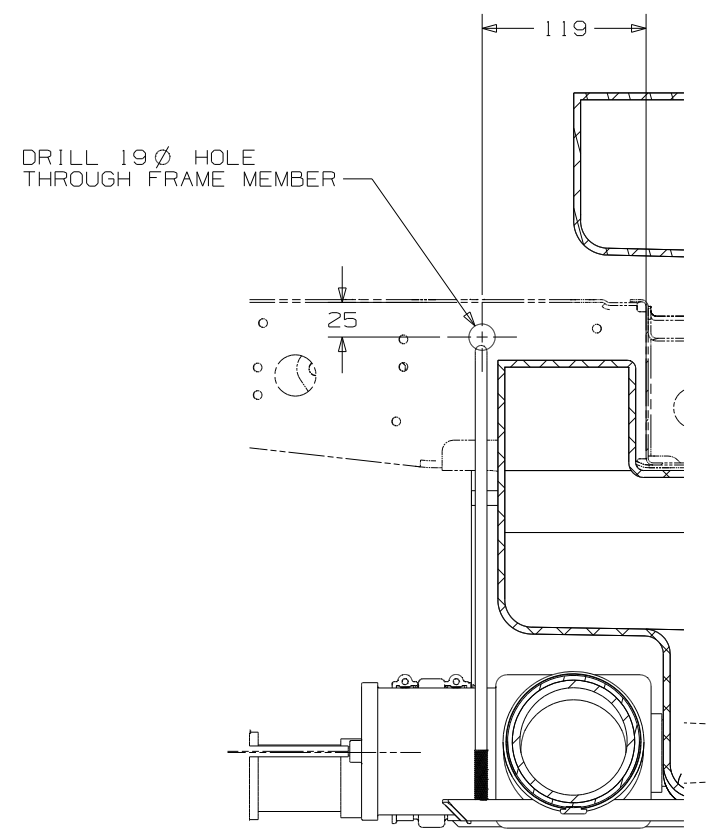
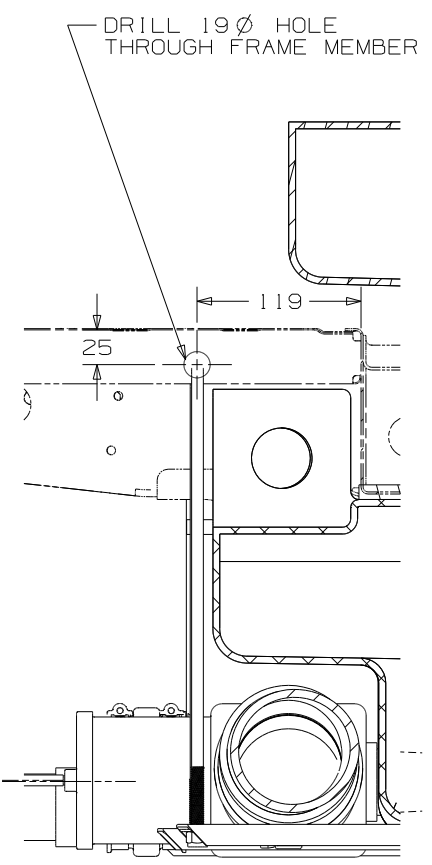
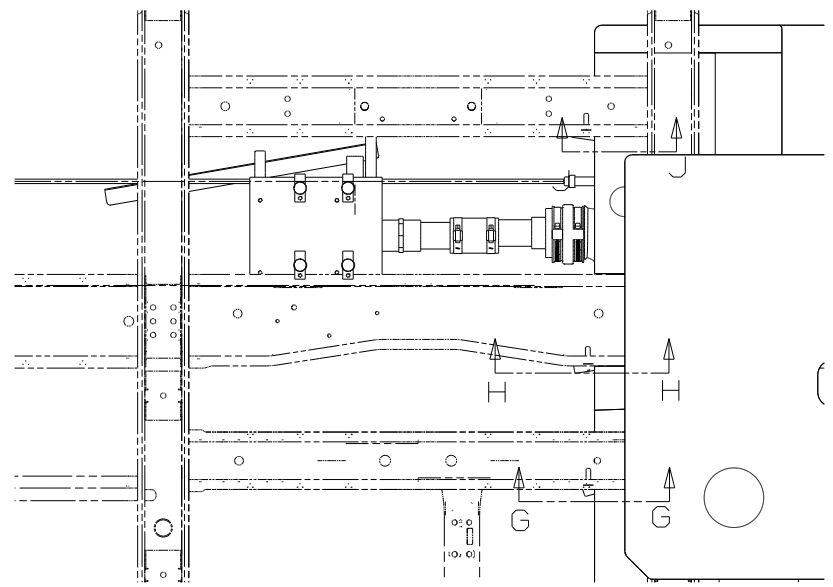
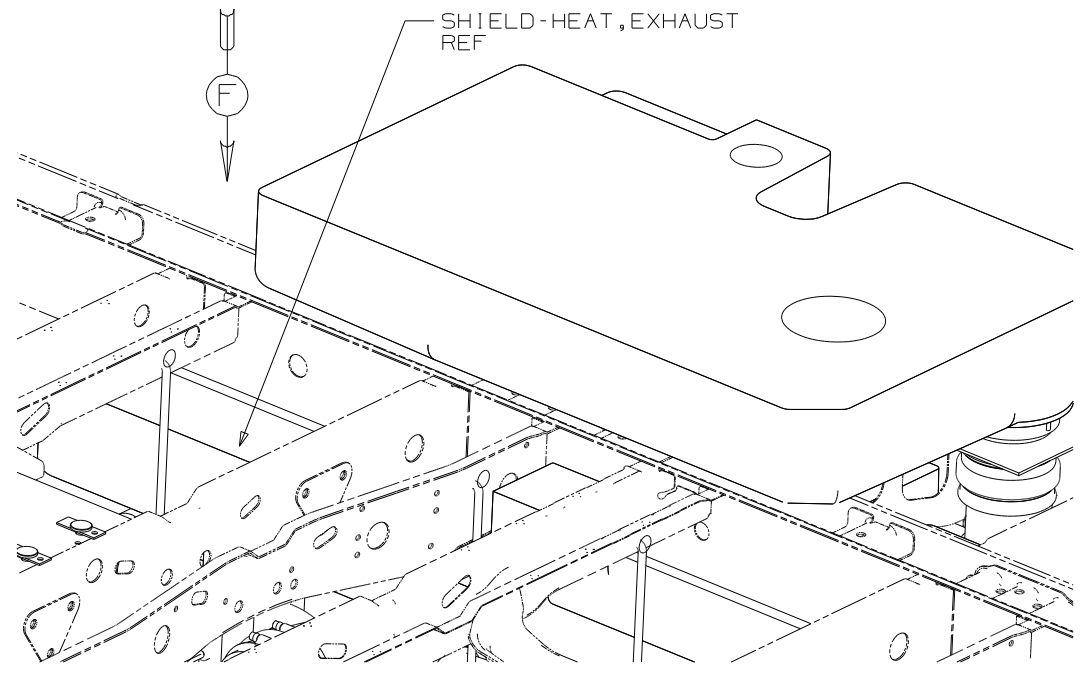


VIEW C

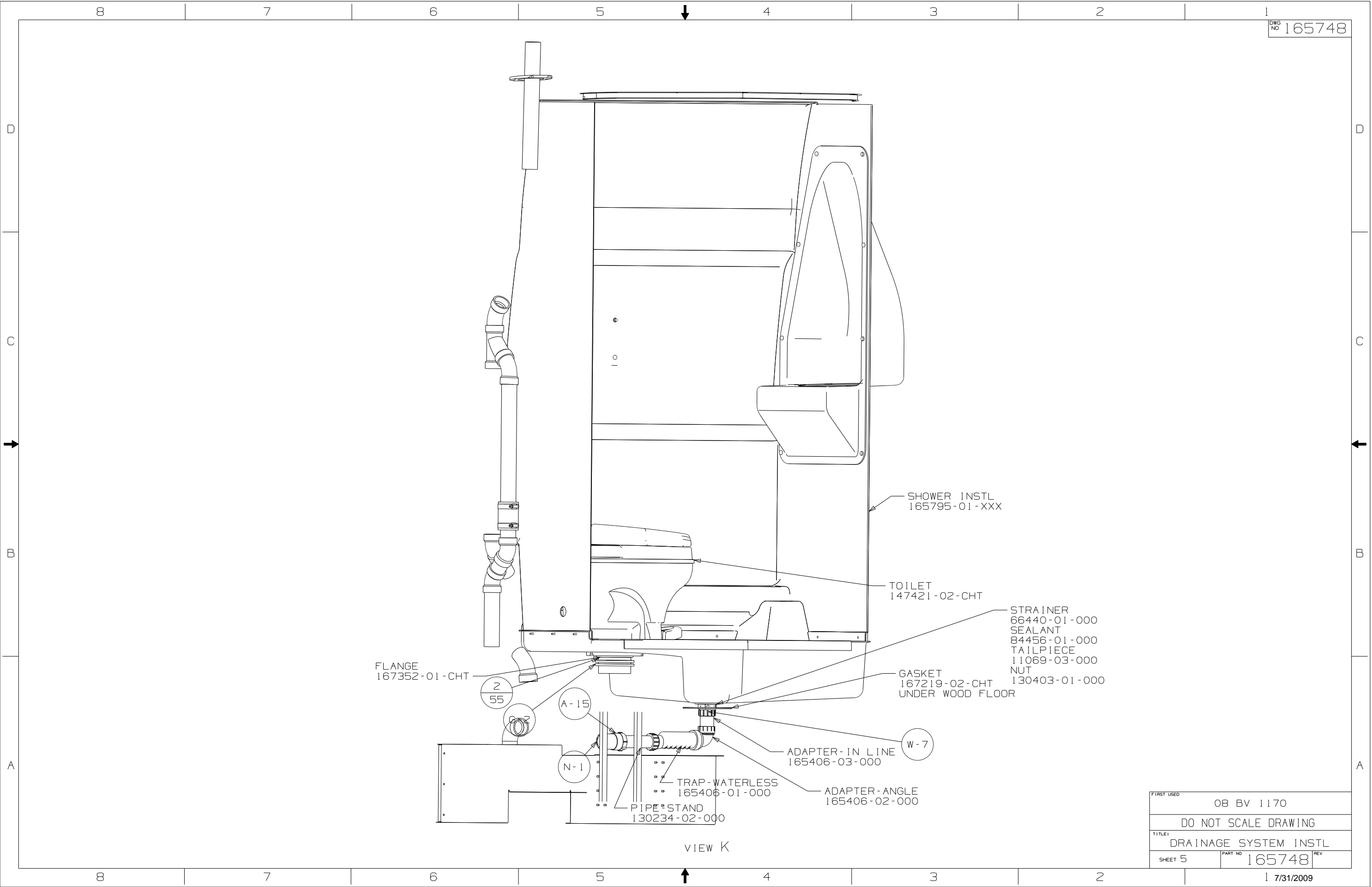


VIEW D

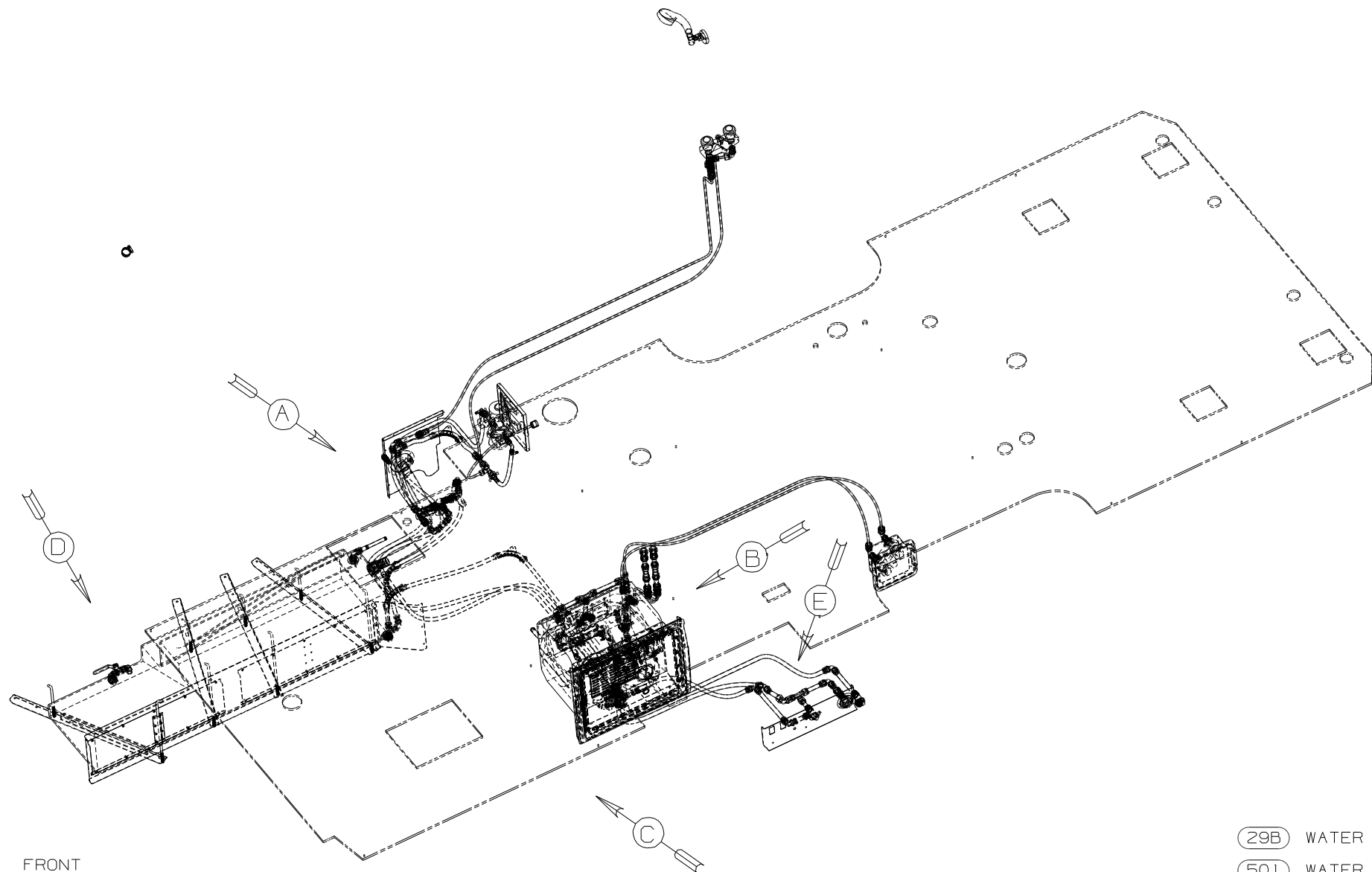
FIRST USED	08 BV 1170
DO NOT SCALE DRAWING	
TITLE	DRAINAGE SYSTEM INSTL
SHEET 3	PART NO 165748 REV



FIRST USED	08 BV 1170
TITLE	DO NOT SCALE DRAWING
	DRAINAGE SYSTEM INSTL
SHEET 4	PART NO 165748 REV



FIRST USED	08 BV 1170	
TITLE	DRAINAGE SYSTEM INSTL	
SHEET 5	PART NO	165748
	REV	1 7/31/2009



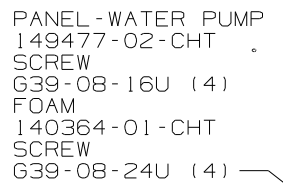
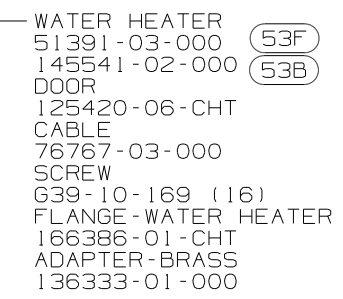
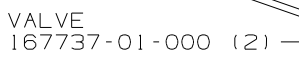
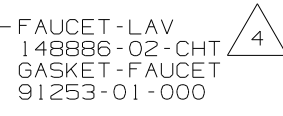
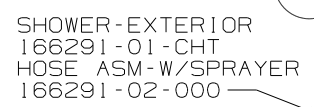
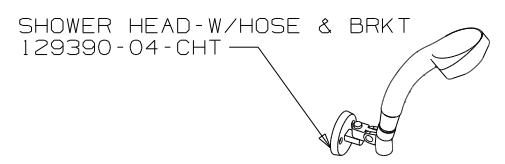
FRONT  
OF  
COACH

- (29B) WATER PURIFIER
- (501) WATER PURIFIER WITHOUT
- (53F) WATER HEATER-ELEC IGNITION
- (53B) WTR HTR-6 GAL ELEC/LP/GAS

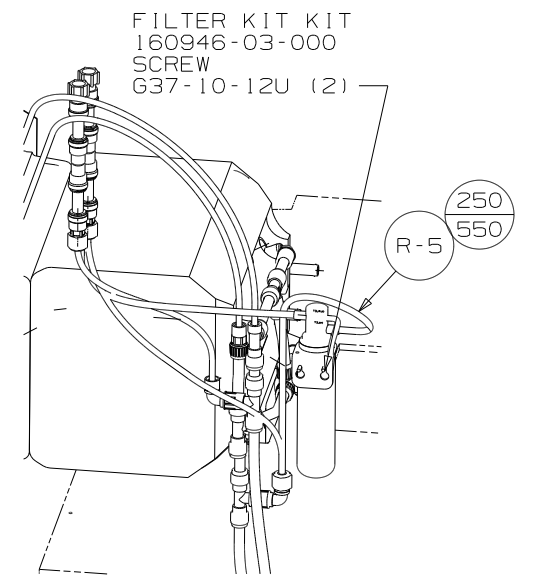
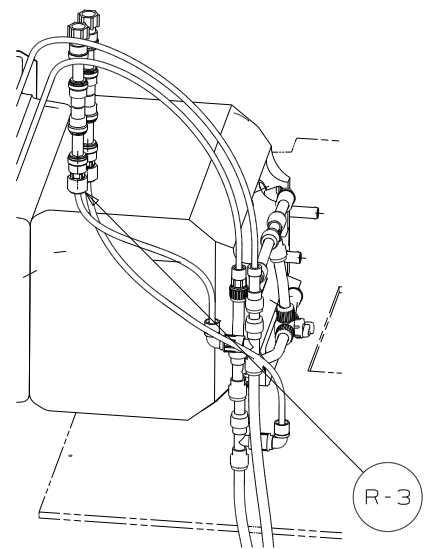
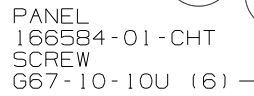
- NOTES:
- △6 ADD TEFLON TAPE 10405-03-000.
  - △5 ADD TEFLON TAPE 10405-02-000.
  - △4 ADD TEFLON TAPE 10405-01-000.
  - 3. ALL TUBING TO BE SECURED AT 1200 INTERVALS MAXIMUM WITH CLAMP 10495-01-000 AND SCREW G67-10-12B OR EQUIVALENT.
  - 2. TUBING TO BE INSTALLED WITH SUFFICIENT SLOPE TO PROVIDE DRAINAGE TO NEAREST VALVE.
  - 1. PLASTIC FITTINGS TO BE SEALED WITH SEALANT 84456-01-000.

<b>WINNEBAGO</b>		COPYRIGHT 2009 WINNEBAGO INDUSTRIES, INC.	
DFTR	ORIG. DATE	ALL DIMENSIONS ARE IN MILLIMETERS	
CHKR		FIRST USED	
P.E.		09 BV1170	
M.E.		UNSPECIFIED TOLERANCES ARE:	
DSNR		MATERIAL:	
		WHOLE DIM (X)	: 3
		ONE-PLACE (X.X)	: 1.5
		TWO-PLACE (X.XX)	: 0.50
		ANGLE	: 1°
THIRD ANGLE PROJECTION		DO NOT SCALE DRAWING	
TITLE: WATER SYSTEM INSTL			
SHEET 1 OF 4	PART NO 165751	REV	
REF:	1 4/15/2009		

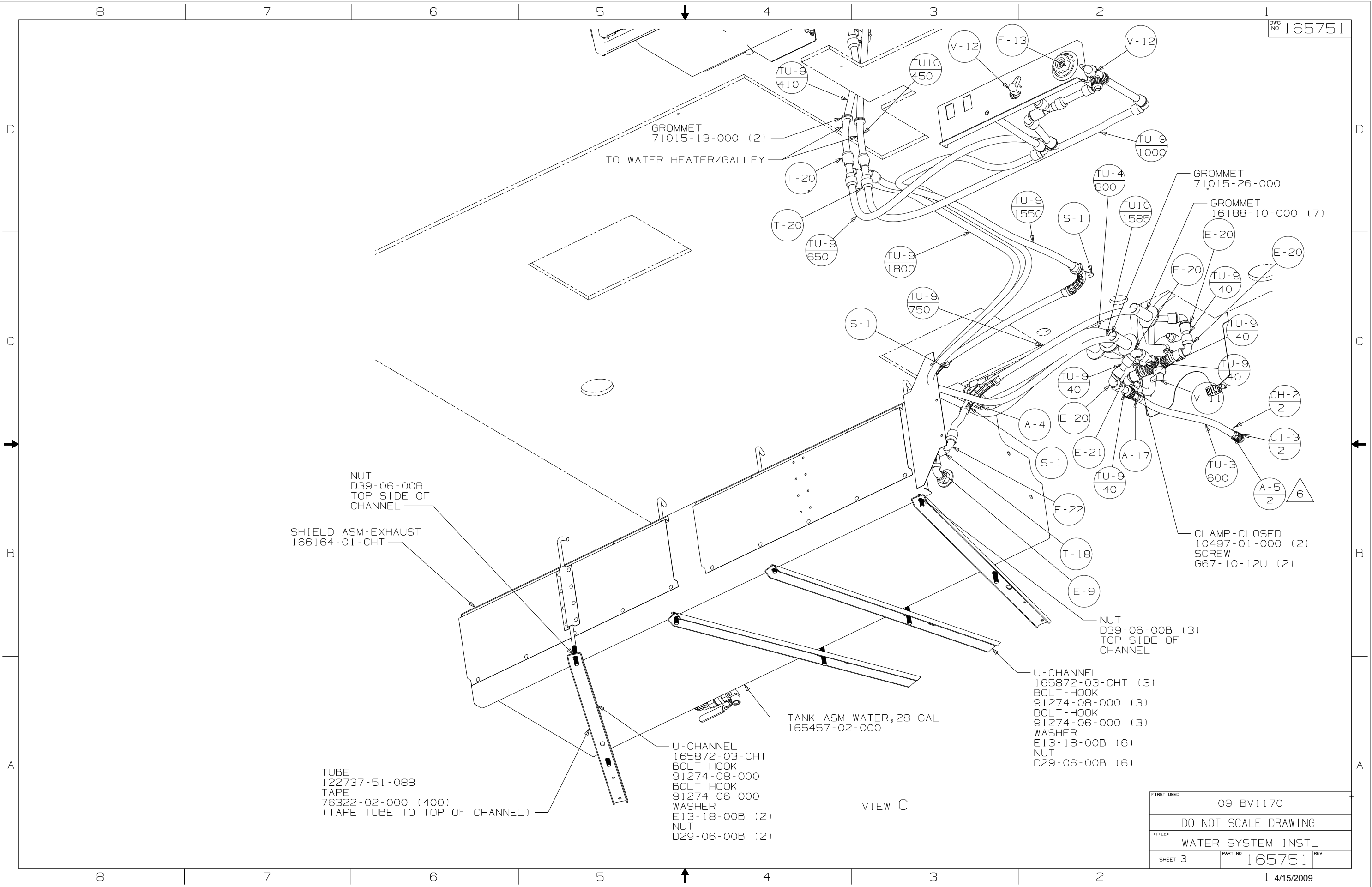
(X-X)  
FOR  
WATER  
CALLOUTS  
SEE DWG NO  
116230-01-000



TO TOILET



FIRST USED	09 BV1170		
TITLE	DO NOT SCALE DRAWING		
TITLE	WATER SYSTEM INSTL		
SHEET 2	PART NO	165751	REV



GROMMET  
71015-13-000 (2)  
TO WATER HEATER/GALLEY

NUT  
D39-06-00B  
TOP SIDE OF  
CHANNEL  
SHIELD ASM-EXHAUST  
166164-01-CHT

TUBE  
122737-51-088  
TAPE  
76322-02-000 (400)  
(TAPE TUBE TO TOP OF CHANNEL)

U-CHANNEL  
165872-03-CHT (3)  
BOLT-HOOK  
91274-08-000 (3)  
BOLT HOOK  
91274-06-000 (3)  
WASHER  
E13-18-00B (2)  
NUT  
D29-06-00B (2)

TANK ASM-WATER, 28 GAL  
165457-02-000

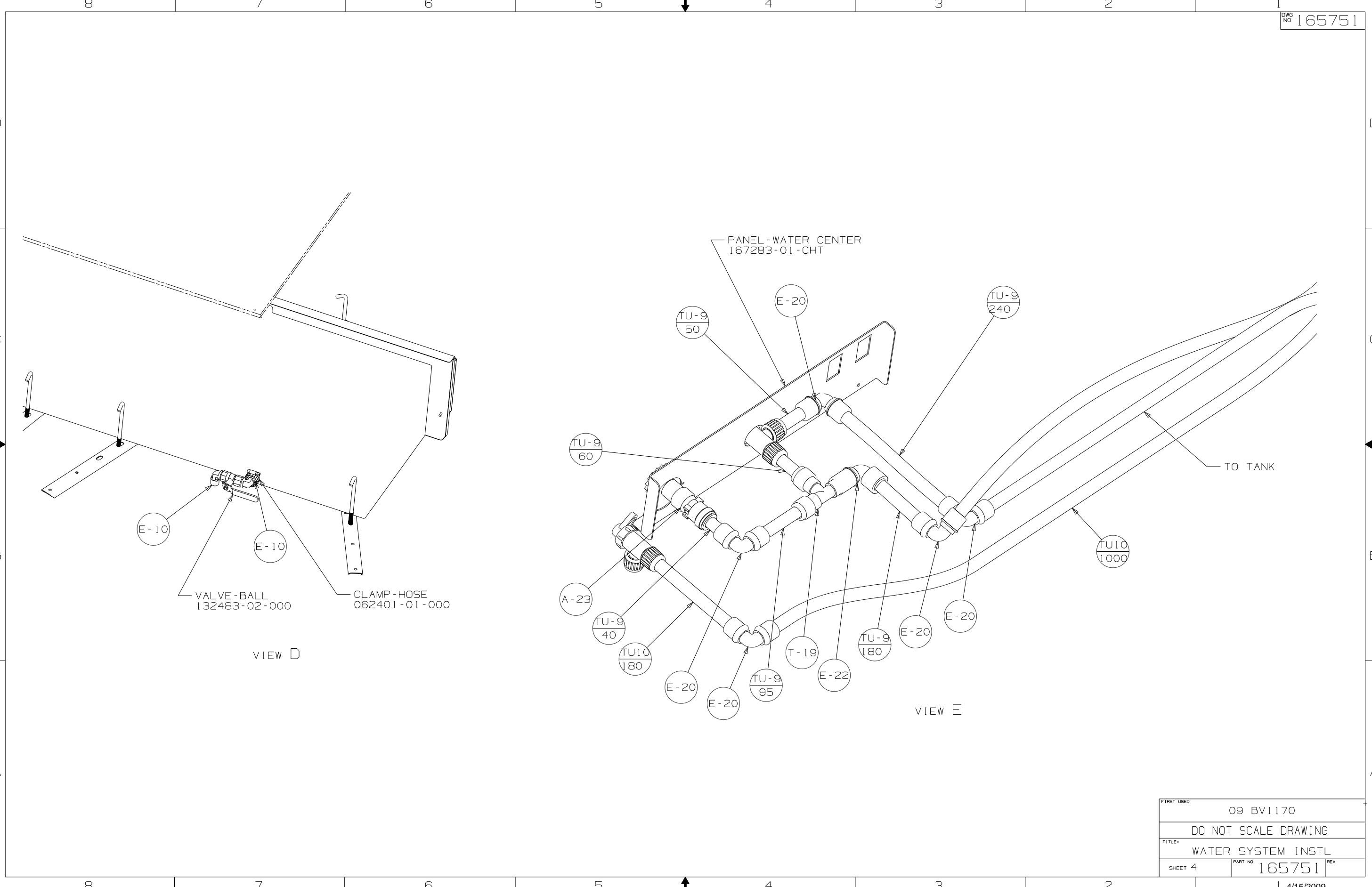
U-CHANNEL  
165872-03-CHT (3)  
BOLT-HOOK  
91274-08-000 (3)  
BOLT-HOOK  
91274-06-000 (3)  
WASHER  
E13-18-00B (6)  
NUT  
D29-06-00B (6)

CLAMP-CLOSED  
10497-01-000 (2)  
SCREW  
G67-10-12U (2)

VIEW C

FIRST USED	09 BV1170		
TITLE:	DO NOT SCALE DRAWING		
	WATER SYSTEM INSTL		
SHEET 3	PART NO	165751	REV





E-10

E-10

VALVE-BALL  
132483-02-000

CLAMP-HOSE  
062401-01-000

VIEW D

PANEL-WATER CENTER  
167283-01-CHT

TU-9  
60

TU-9  
50

E-20

TU-9  
240

A-23

TU-9  
40

TU10  
180

E-20

E-20

TU-9  
95

E-22

T-19

TU-9  
180

E-20

E-20

TU10  
1000

TO TANK

VIEW E

FIRST USED	09 BV1170		
TITLE	DO NOT SCALE DRAWING		
	WATER SYSTEM INSTL		
SHEET 4	PART NO	165751	REV
			1 4/15/2009