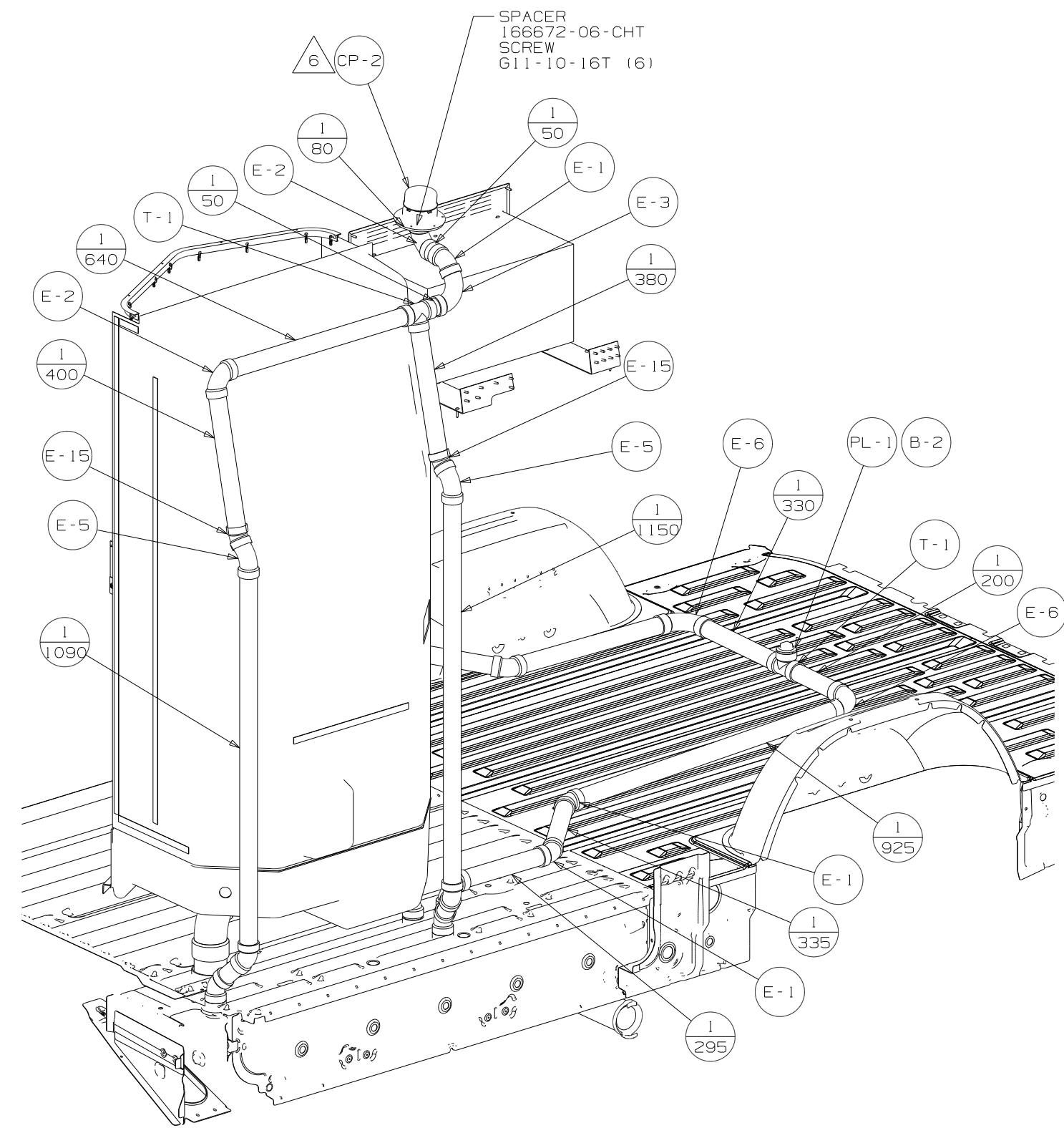
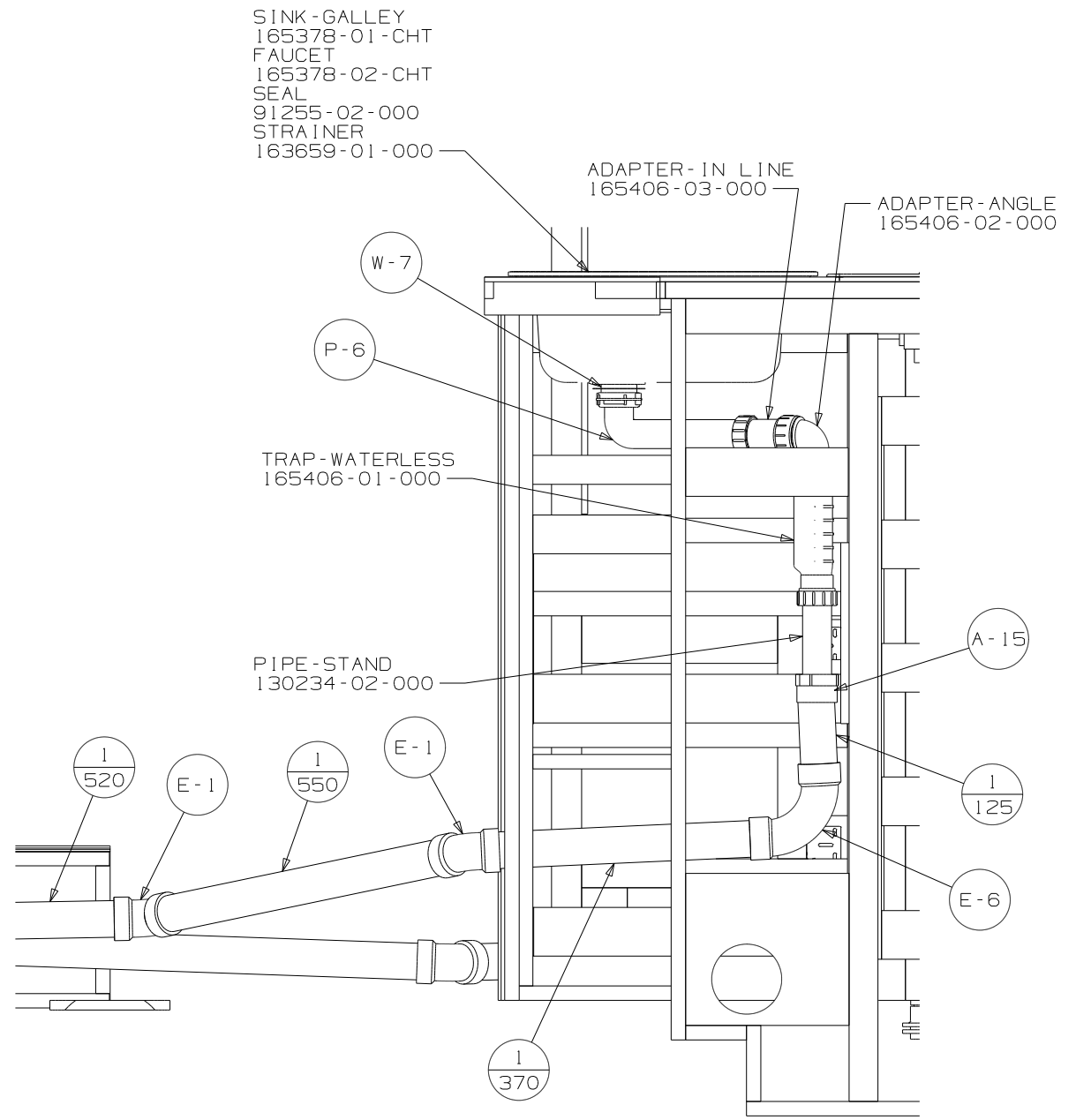


- NOTES:
1. SLOPE OF HORIZONTAL PIPING TO BE MINIMUM OF 3 PER 305 mm.
 2. SLOPE OF TRAP ARM MUST BE 6 PER 305 mm.
 3. ALL PIPE AND FITTINGS TO BE ASSEMBLED WITH SOLVENT 4020-01-000 (USA), 4020-02-000 (CAN)
 4. SECURE DRAINAGE PIPES TO CABINET USING WIRE TIE 108046-02-000, AND SCREW G67-10-12B AT INTERVALS OF NOT MORE THAN 4 FEET APART.
 5. SEAL AROUND SHOWER WITH SILICONE.
 6. VENT PIPE MUST PROJECT 51 MIN AND 64 MAX ABOVE ROOF FOR PROPER FIT AND FUNCTION.
 7. HOOK J-BOLTS IN HOLES IN CHASSIS. SEE CHASSIS MODIFIED 170650 FOR HOLE LOCATIONS.

		COPYRIGHT 2009 WINNEBAGO INDUSTRIES, INC.	
DFT-016	ORIG. DATE	ALL DIMENSIONS ARE IN MILLIMETERS	
CHKR		FIRST USED	
P.E.		10 144U	
M.E.		UNSPECIFIED TOLERANCES ARE:	
DSNR		MATERIAL:	
		WHOLE DIM (X)	: 3
		ONE-PLACE (X.X)	: 1.5
		TWO-PLACE (X.XX)	: 0.50
		ANGLE	: 1°
THIRD ANGLE PROJECTION			
DO NOT SCALE DRAWING			
TITLE: DRAINAGE SYSTEM INSTL			
SHEET 1 OF 3	PART NO	170653	REV
REF:	1 3/30/2009		

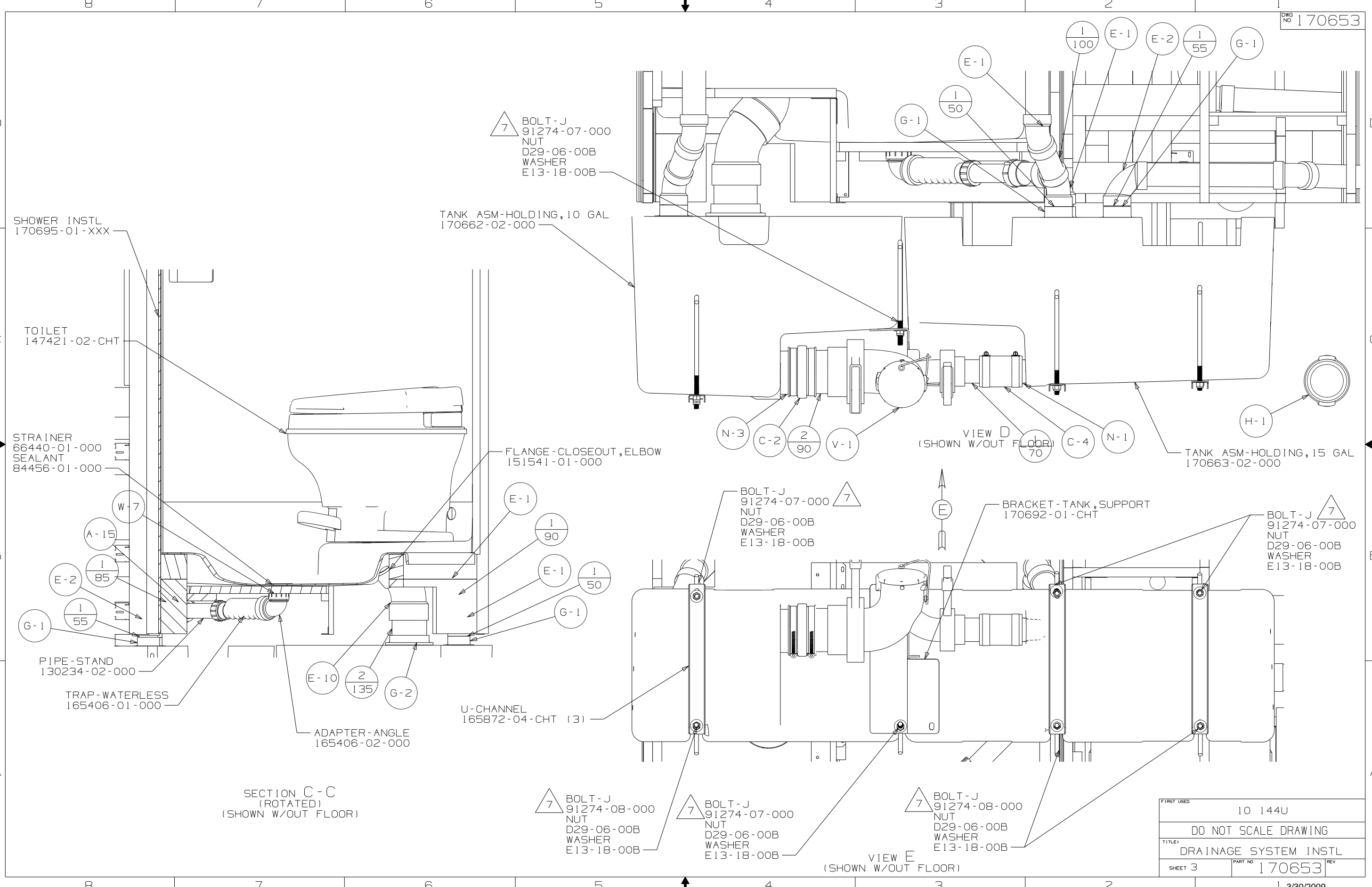


VIEW A



VIEW B
(ROTATED)
(SHOWN W/OUT FLOOR)

FIRST USED	10 144U
DO NOT SCALE DRAWING	
TITLE	DRAINAGE SYSTEM INSTL
SHEET 2	PART NO 170653 REV



7 BOLT-J
91274-07-000
NUT
D29-06-00B
WASHER
E13-18-00B

TANK ASM-HOLDING, 10 GAL
170662-02-000

N-3
C-2
2
90
V-1

VIEW D
(SHOWN W/OUT FLOOR)
70

TANK ASM-HOLDING, 15 GAL
170663-02-000

7 BOLT-J
91274-07-000
NUT
D29-06-00B
WASHER
E13-18-00B

BRACKET-TANK, SUPPORT
170692-01-CHT

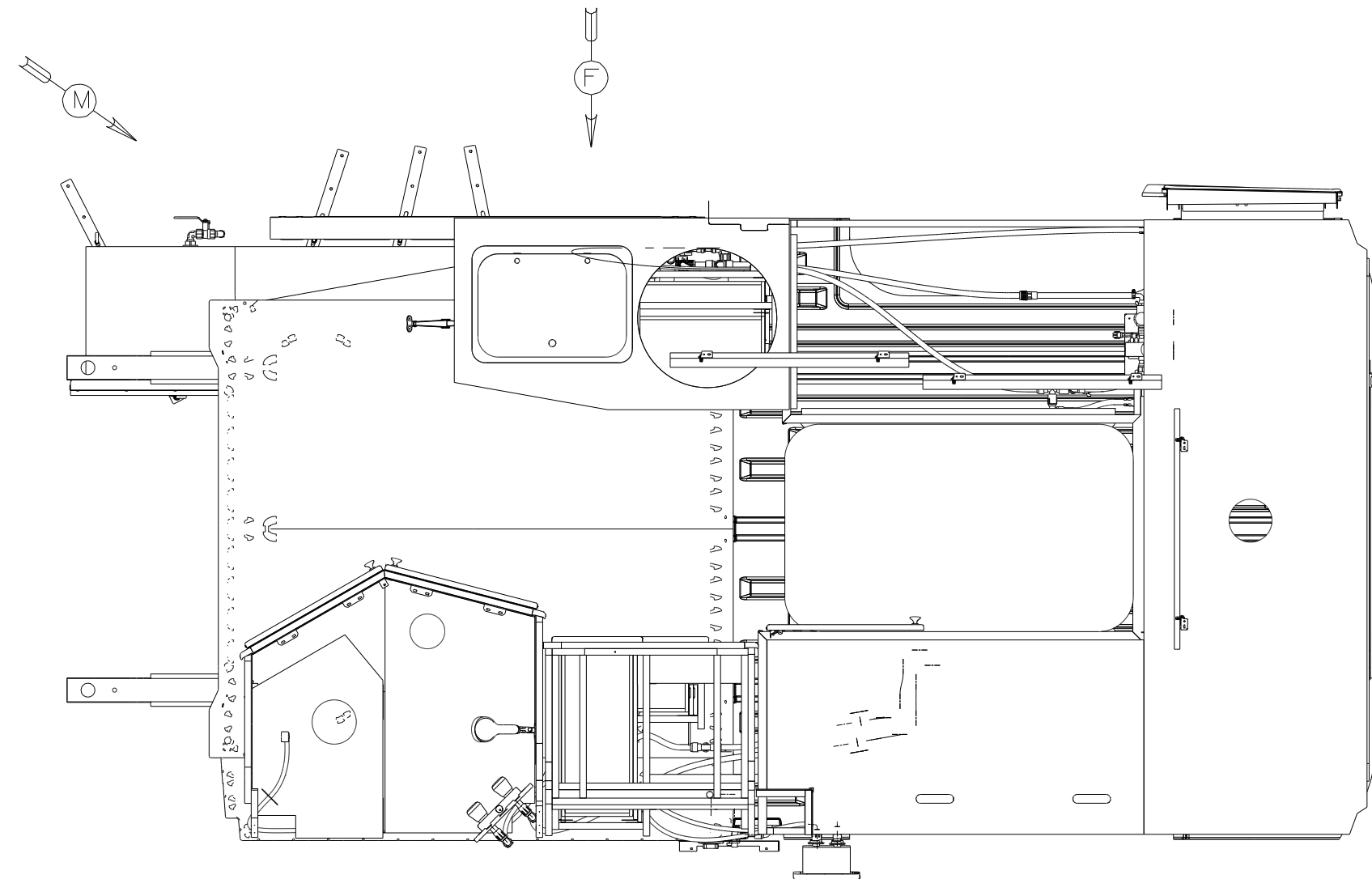
7 BOLT-J
91274-07-000
NUT
D29-06-00B
WASHER
E13-18-00B

7 BOLT-J
91274-08-000
NUT
D29-06-00B
WASHER
E13-18-00B

7 BOLT-J
91274-07-000
NUT
D29-06-00B
WASHER
E13-18-00B

7 BOLT-J
91274-08-000
NUT
D29-06-00B
WASHER
E13-18-00B

FIRST USED	10 144U
TITLE	DO NOT SCALE DRAWING
	DRAINAGE SYSTEM INSTL
SHEET 3	PART NO 170653 REV



FRONT OF COACH

- (29B) WATER PURIFIER
- (501) WATER PURIFIER WITHOUT
- (53F) WATER HEATER-ELEC IGNITION
- (53B) WTR HTR-6 GAL ELEC/LP/GAS

- NOTES:
- △6 ADD TEFLON TAPE 10405-03-000.
 - △5 ADD TEFLON TAPE 10405-02-000.
 - △4 ADD TEFLON TAPE 10405-01-000.
 - 3. ALL TUBING TO BE SECURED AT 1200 INTERVALS MAXIMUM WITH CLAMP 10495-01-000 AND SCREW G67-10-12B OR EQUIVALENT.
 - 2. TUBING TO BE INSTALLED WITH SUFFICIENT SLOPE TO PROVIDE DRAINAGE TO NEAREST VALVE.
 - 1. PLASTIC FITTINGS TO BE SEALED WITH SEALANT 84456-01-000.

WINNEBAGO		COPYRIGHT 2009 WINNEBAGO INDUSTRIES, INC.	
DFTR	ORIG. DATE	ALL DIMENSIONS ARE IN MILLIMETERS	
CHKR		FIRST USED	
P.E.		10 144U	
M.E.		UNSPECIFIED TOLERANCES ARE:	
DSNR		MATERIAL:	
		WHOLE DIM (X)	: 3
		ONE-PLACE (X.X)	: 1.5
		TWO-PLACE (X.XX)	: 0.50
		ANGLE	: 1°
THIRD ANGLE PROJECTION		DO NOT SCALE DRAWING	
TITLE: WATER SYSTEM INSTL			
SHEET 1 OF 5	PART NO	170655	REV
REF:	1 2/13/2009		

(X-X)
FOR
WATER
CALLOUTS
SEE DWG NO
116230-01-000

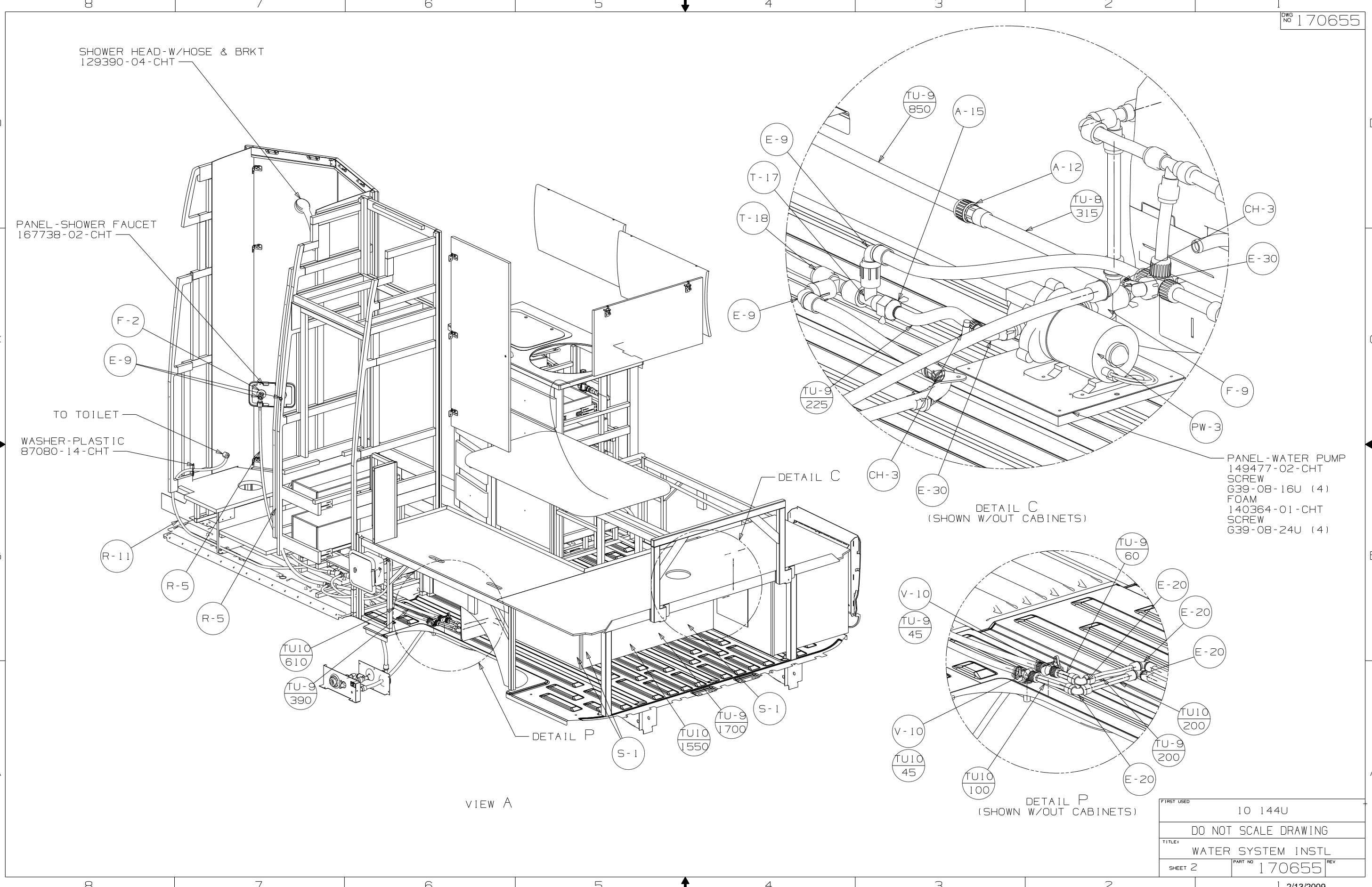
SHOWER HEAD-W/HOSE & BRKT
129390-04-CHT

PANEL-SHOWER FAUCET
167738-02-CHT

TO TOILET

WASHER-PLASTIC
87080-14-CHT

PANEL-WATER PUMP
149477-02-CHT
SCREW
G39-08-16U (4)
FOAM
140364-01-CHT
SCREW
G39-08-24U (4)



VIEW A

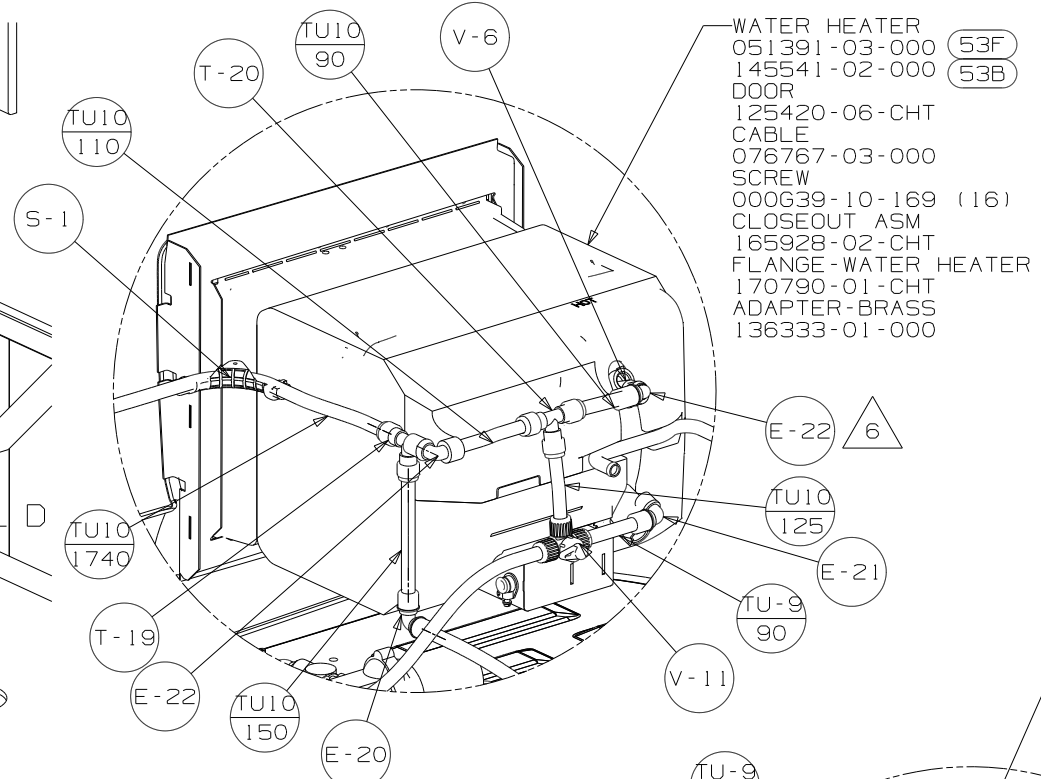
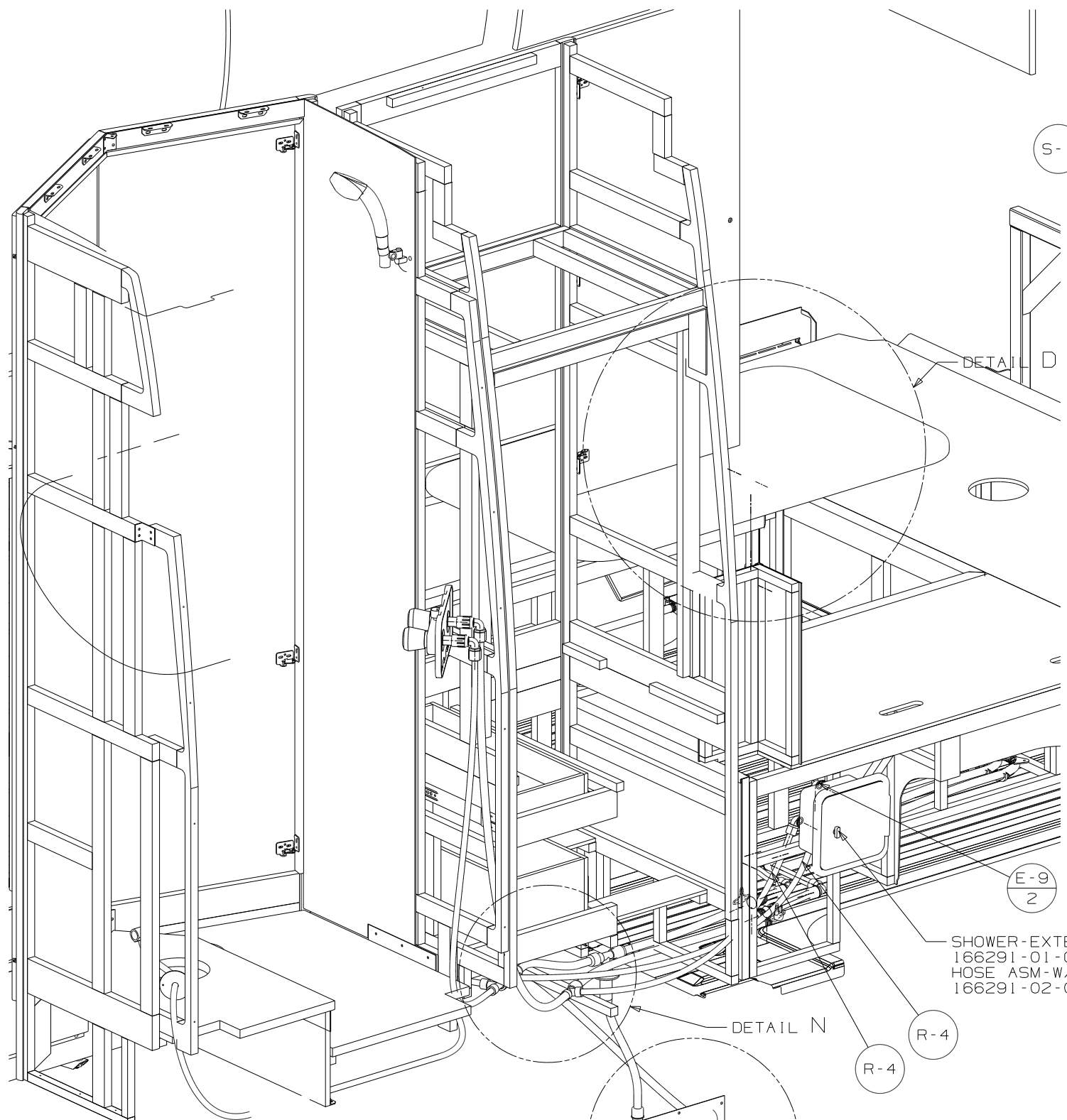
DETAIL C

DETAIL C
(SHOWN W/OUT CABINETS)

DETAIL P

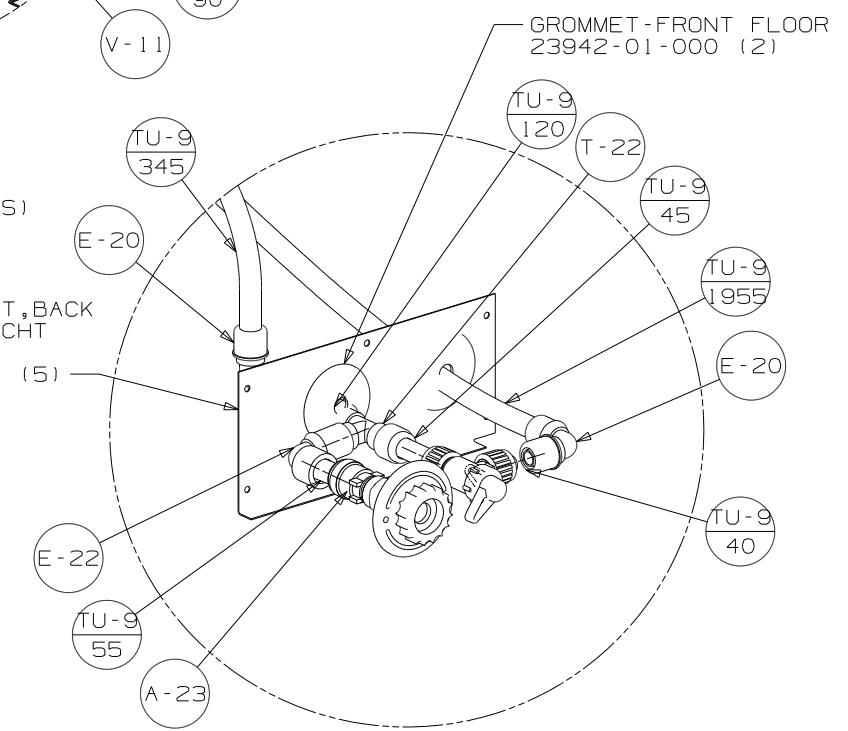
DETAIL P
(SHOWN W/OUT CABINETS)

FIRST USED	10 144U
DO NOT SCALE DRAWING	
TITLE:	WATER SYSTEM INSTL
SHEET 2	PART NO 170655 REV



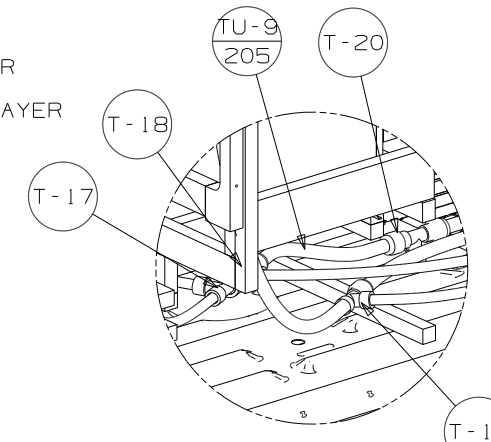
DETAIL D
(SHOWN W/OUT CABINETS)

PANEL - COMPT, BACK
 168107-02-CHT
 SCREW
 639-08-08T (5)



DETAIL E
(SHOWN W/OUT PANEL)

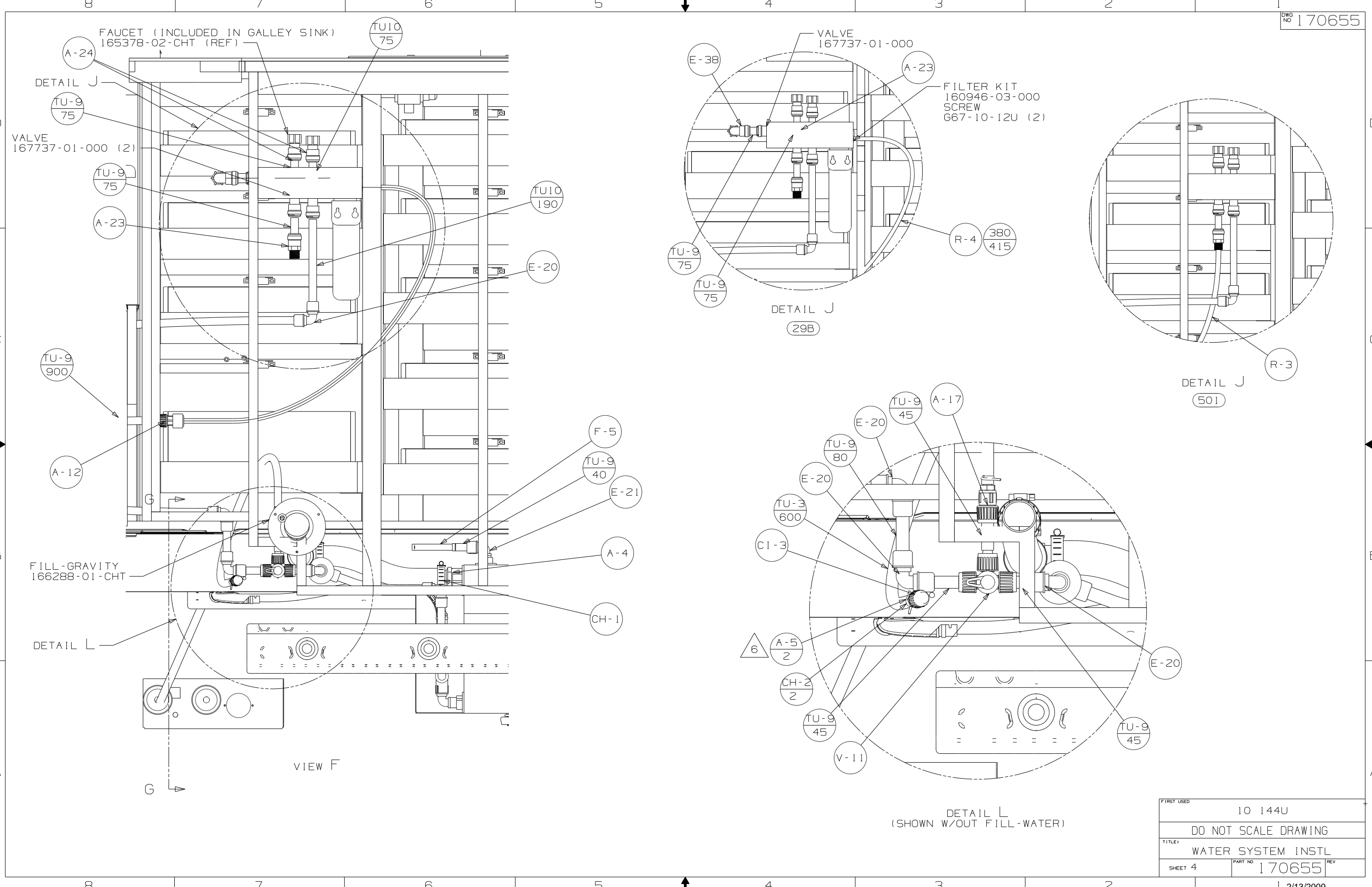
SHOWER-EXTERIOR
 166291-01-CHT
 HOSE ASM-W/SPRAYER
 166291-02-000



DETAIL N

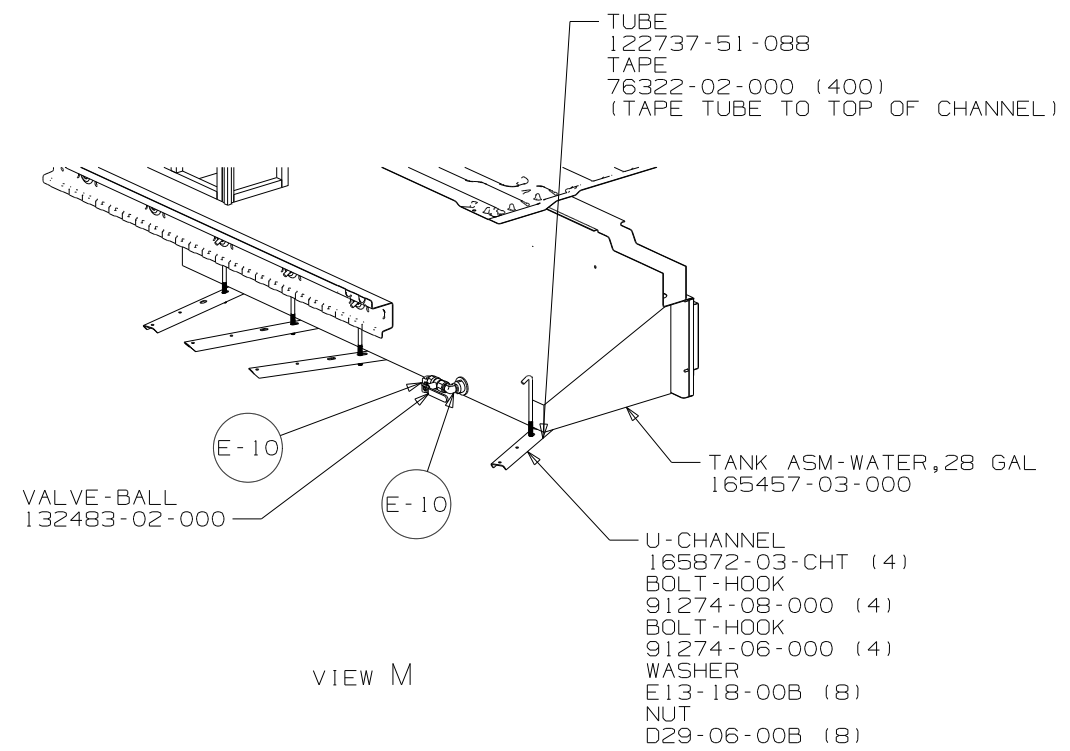
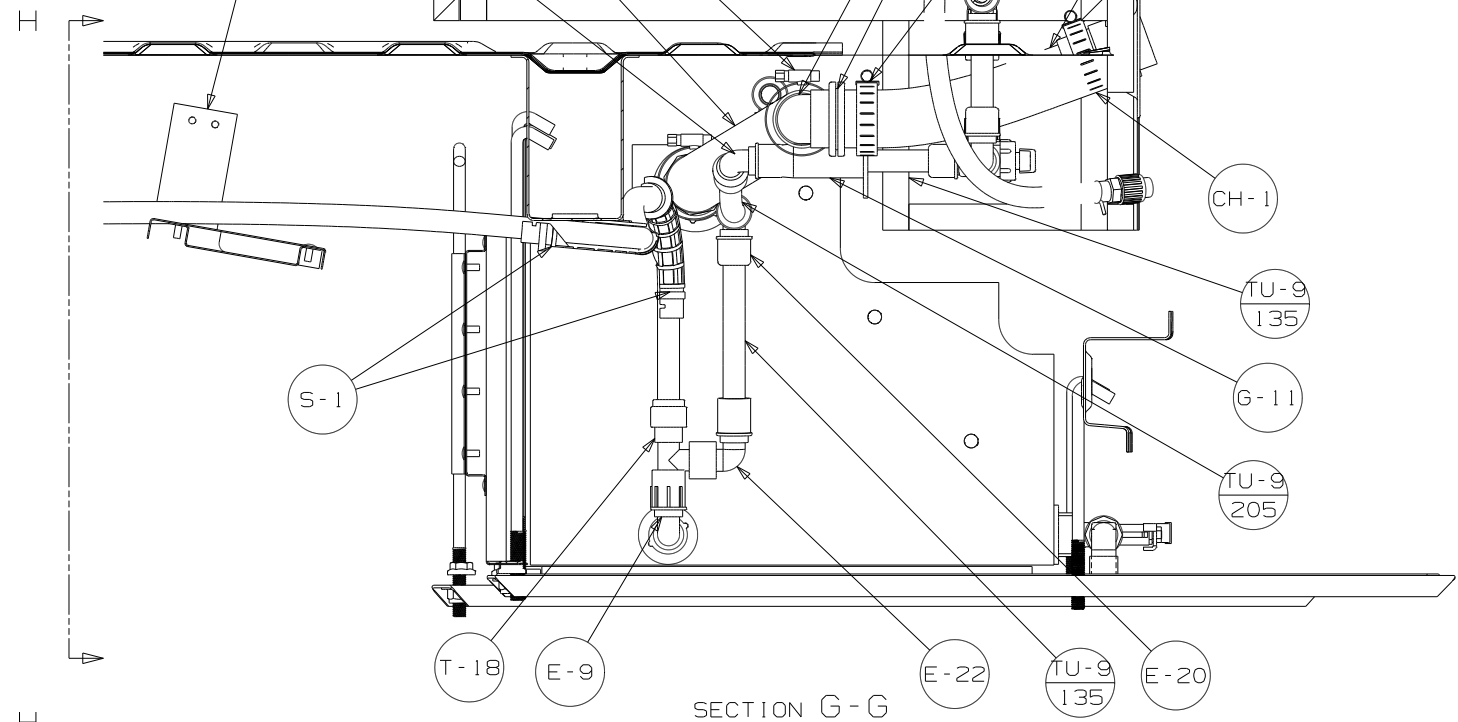
PANEL-WATER CENTER
 171001-01-CHT
 RIVET
 113133-01-CHT (4)

FIRST USED	10 144U
DO NOT SCALE DRAWING	
TITLE:	WATER SYSTEM INSTL
SHEET 3	PART NO 170655 REV
1 2/13/2009	

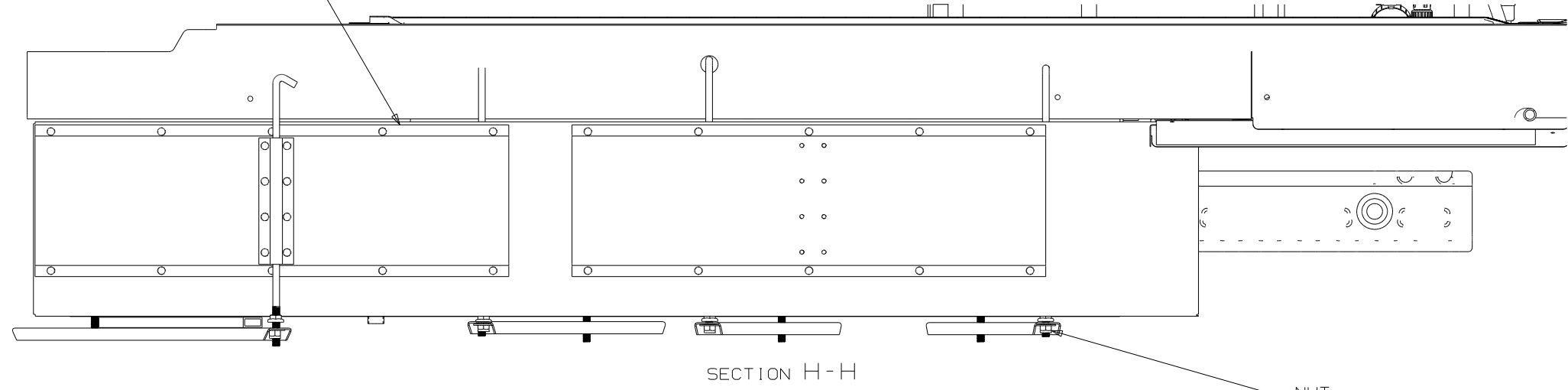


FIRST USED	10 144U
DO NOT SCALE DRAWING	
TITLE:	WATER SYSTEM INSTL
SHEET 4	PART NO 170655 REV

SHIELD ASM-EXHAUST
166164-02-CHT



SHIELD ASM-EXHAUST
166164-04-CHT



FIRST USED	10 144U
TITLE:	DO NOT SCALE DRAWING
	WATER SYSTEM INSTL
SHEET 5	PART NO 170655 REV