



DANGER

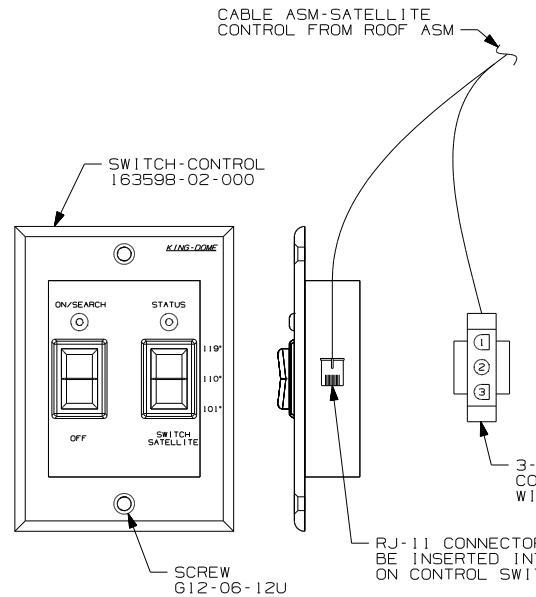
Danger of electrical shock, burns or death. Always remove all power sources before attempting any repair, service or diagnostic work. Power can be present from shore power, generator, inverter or battery. All power sources must be disabled and secured before performing any service.



CAUTION

If you lack the skills, tools or equipment to perform diagnostic or repair work leave such work to an authorized Winnebago Industries dealer or other qualified shop.

DRAWING NO.	MODEL	SHEET
160326-01	F32H	1, 15
160326-02	F38J	2, 15
160326-03	G37B	3, 15
160326-04	G38J	4, 15
160326-05	G38T	5, 15
160326-06	M-SER	6, 15
160326-07	P-SER	7, 15
160326-08	R40FD	8, 13
160326-09	R40TD	9, 13
160326-10	R40WD	10, 13, 18
160326-11	S40FD	11, 16
160326-12	S40TD	12, 16
160326-13	N/A	NA
160326-14	D-SER	14, 17



- 1JM SPEAKER 160868-01-000 (3)
- 1JM GRILLE 160868-02-CHT (3)
- 1JM SCREW 611-08-08U (12)

- 42K TV-32", FLAT PANEL LCD 164227-01-000

- 25F DVD PLAYER 164584-01-000
- 1JM HOME THEATER SYSTEM 164270-01-000
- 1JM WIRE ASM-JUMPER, SPEAKER 153349-08-000
- 1JM FASTENER-DUAL LOCK 85774-01-000
- 1JM FASTENER-DUAL LOCK 85774-02-000

- 1JF AMPLIFIER-TV 147139-01-000
- 1JF WIRE ASM-STEREO KIT 147139-02-000
- 1JF FASTENER-DUAL LOCK 85774-01-000
- 1JF FASTENER-DUAL LOCK 85774-02-000
- 1JF DETAIL AD

- RCP-2 (PUR-2) COMPONENT 1

- 1JF SWITCH 89308-01-CHT
- 1JF PLATE-SWITCH 98351-09-CHT
- 1JF SCREW G11-06-10J (2)
- 1JF DETAIL AC

- CONTROL CENTER SWITCHING 142258-01-000
- BRACKET-VIDEO SWITCH 156586-01-CHT
- SCREW G11-08-12U (4)

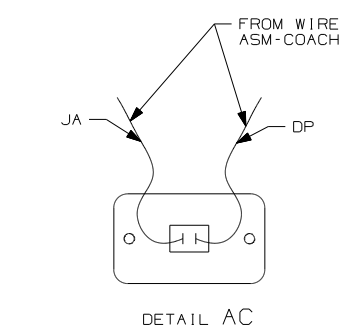
- 42K TV-32" COLOR, STEREO W/REMOTE
- 78K SATELLITE DISH-AUTOMATIC
- 25F DIGITAL VIDEO DISC PLAYER
- 1JM HOME THEATER SOUND SYSTEM
- 1JF HOME THEATER SYS-WITHOUT
- 79H ENTERTAINMENT CTR- INTERIOR
- 265 CODES/STANDARDS-CSA/CMVSS
- 1B1 CODES/STANDARDS USA

1B1 265 79H F32H



OFTR	ORIG. DATE
CHKR	ALL DIMENSIONS ARE IN MILLIMETERS
P.E.	FIRST USED
M.E.	08 A-BODIES
DSNR	
UNSPECIFIED TOLERANCES ARE:	MATERIAL:
HOLE DIM (X)	: 3
ONE-PLACE (X.X)	: 1.5
TWO-PLACE (X.XX)	: 0.50
ANGLE	: 1°
THIRD ANGLE PROJECTION	

DO NOT SCALE DRAWING
 TITLE: WIRING INSTL-TV/DVD, SIDE
 SHEET 1 OF 18 PART NO 160326 REV
 REF: 1 2/19/2008



DETAIL AA 78K

RCP-B (DET AB) OVHD

SWITCH-SATELLITE DETAIL AA

RCP-2 (PUR-2) COMPONENT

265 LABEL 158542-02-CHT

RCP-2 (PUR-2) COMPONENT 2

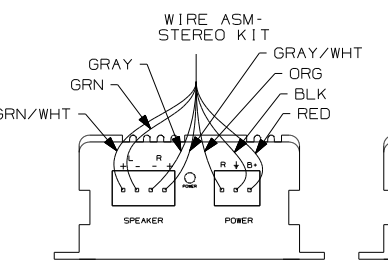
265 LABEL 158542-02-CHT

PLATE-WALL 149557-04-CHT

SCREW 667-10-08U (2)

RCP-2 (PUR-2) OVHD

- 1JF RELAY-RADIO/TV 115539-01-000
- 1JM WIRE ASM-JUMPER 138005-01-000
- 1JM CONNECTS TO 15 PIN HOUSING ON IP, MAIN

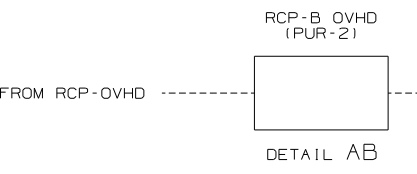


FILTER SWITCH TO BE SET IN OFF POSITION
 LEVEL TO BE SET IN MID POSITION

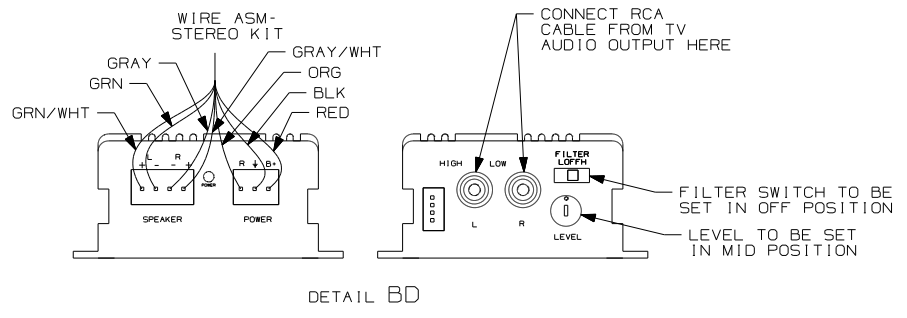
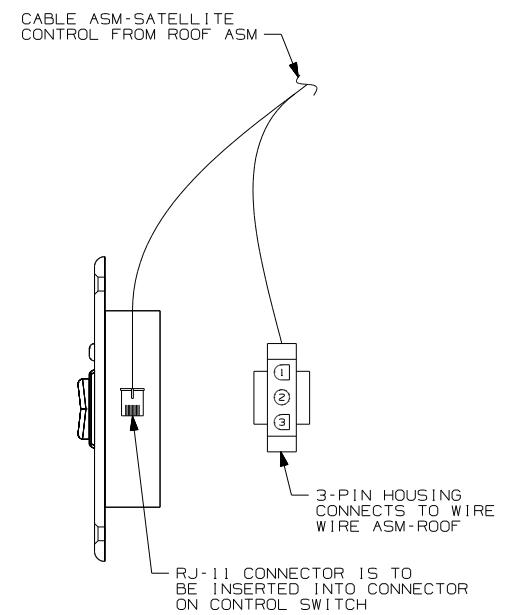
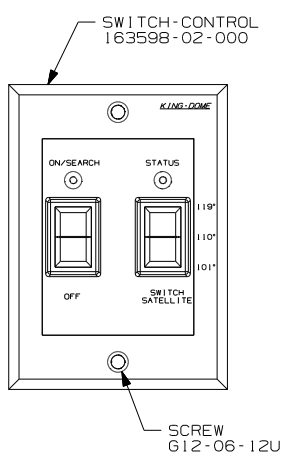
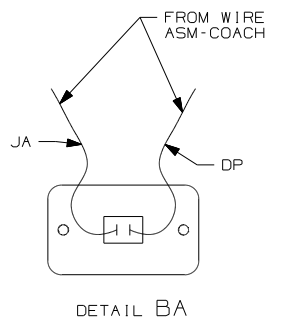
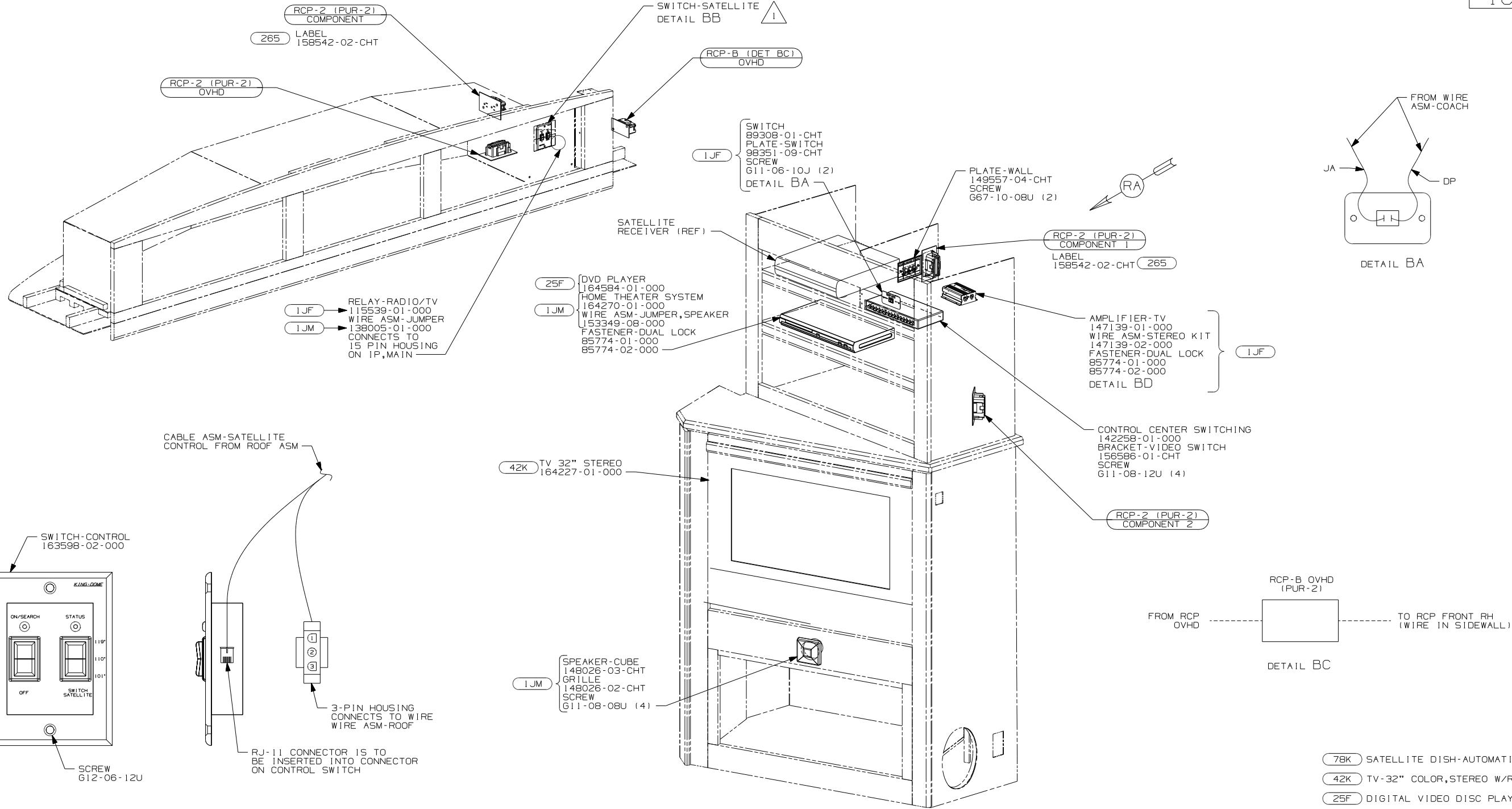
DETAIL AD

FOR ELECTRICAL TORQUE SPECIFICATIONS SEE DWG NO. 128783-01-000

FOR ELECTRICAL CALLOUTS SEE DWG NO. 121339-01-000



NOTES: 1 SEE ROOF ASM FOR ADDITIONAL INFORMATION.



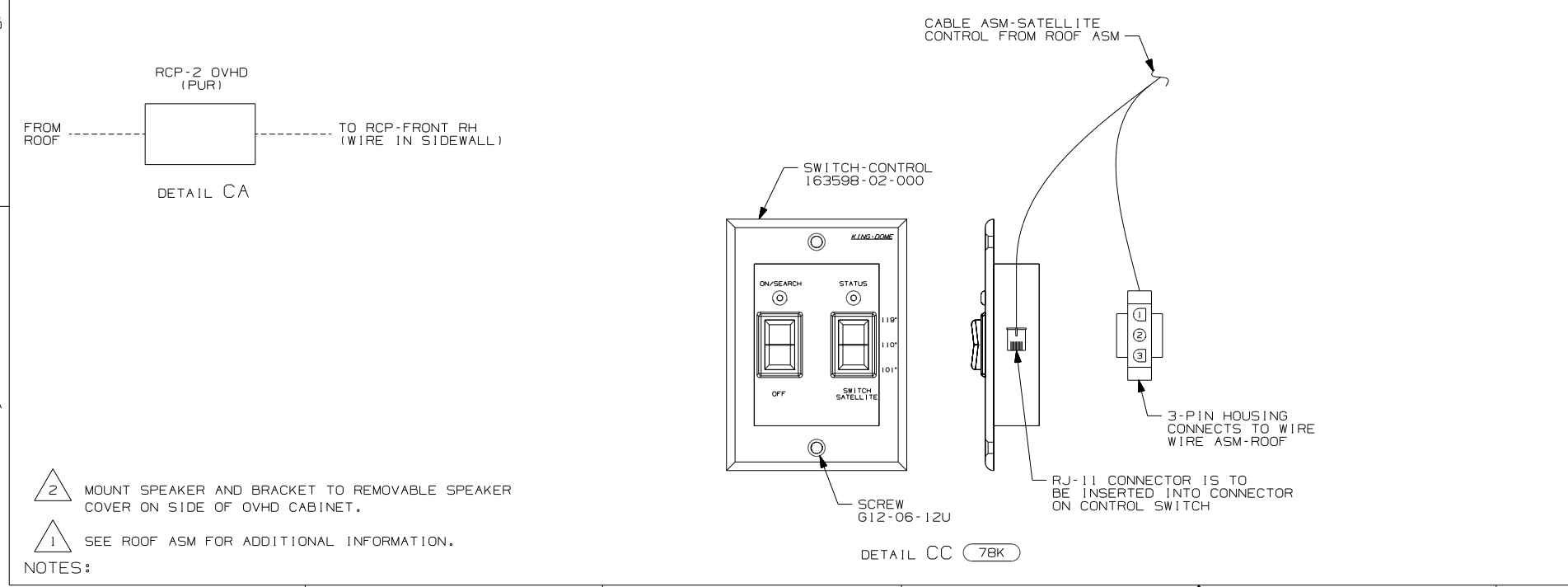
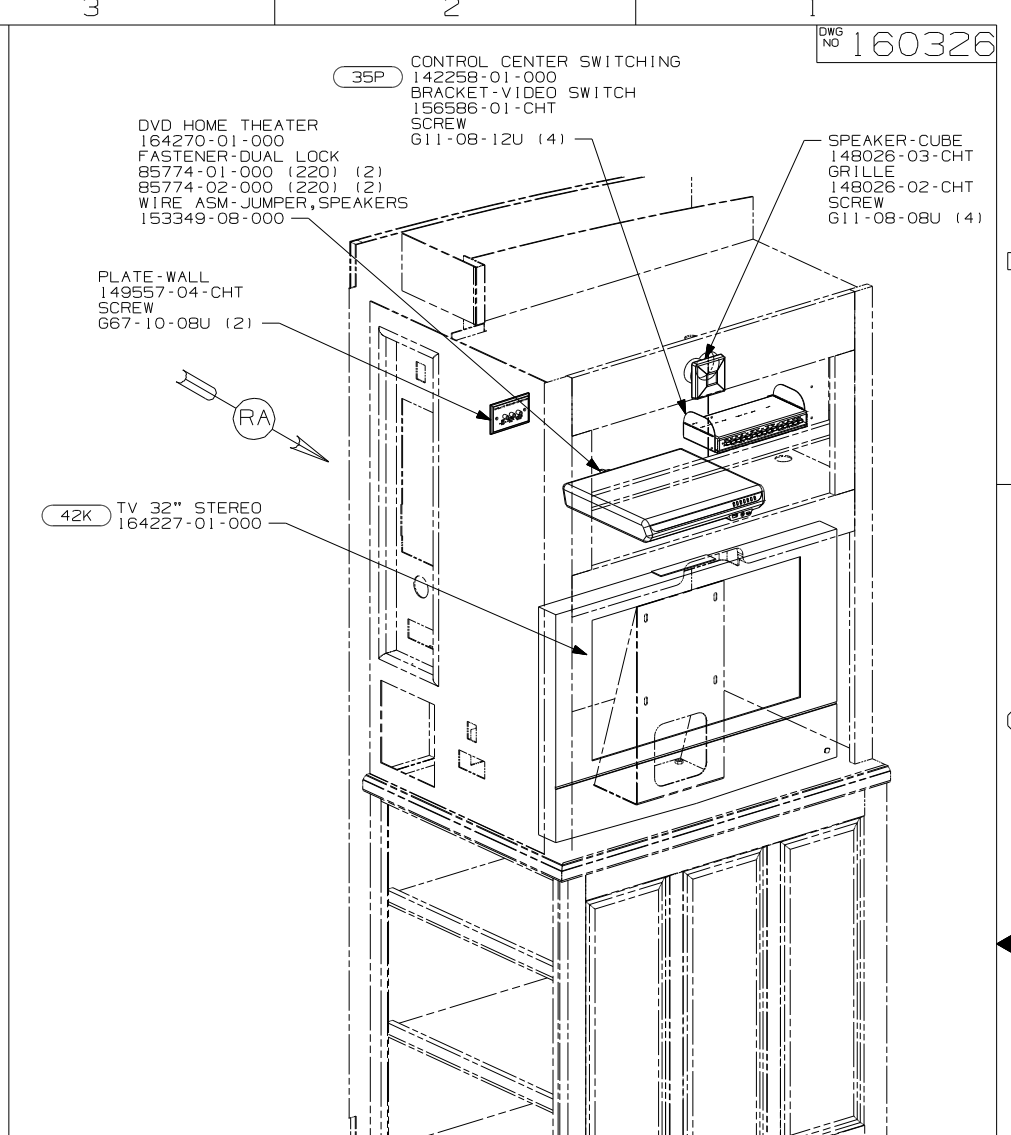
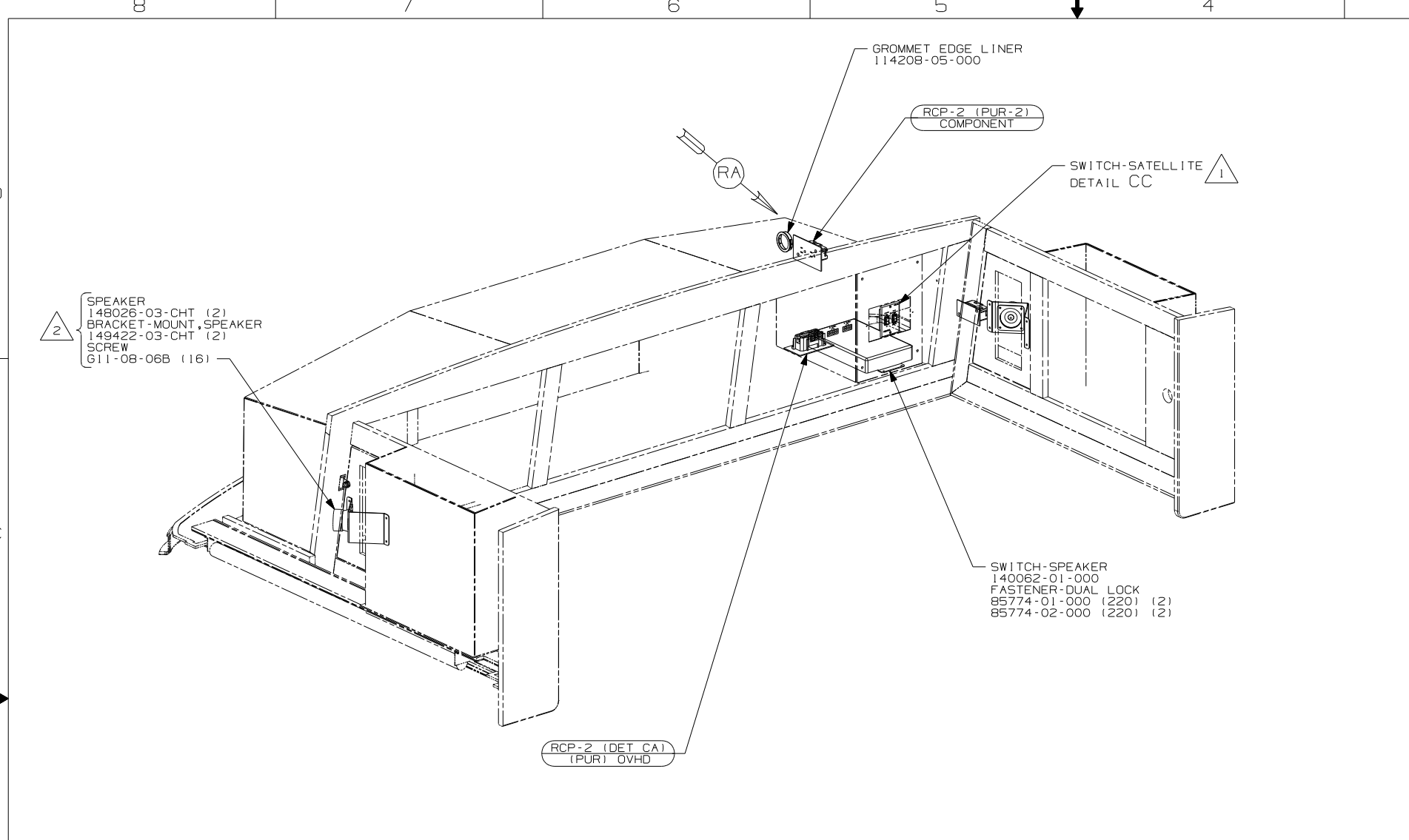
- (78K) SATELLITE DISH-AUTOMATIC
- (42K) TV-32" COLOR, STEREO W/REMOTE
- (25F) DIGITAL VIDEO DISC PLAYER
- (1JM) HOME THEATER SOUND SYSTEM
- (1JF) HOME THEATER SYS-WITHOUT
- (79H) ENTERTAINMENT CTR-INTERIOR
- (265) CODES/STANDARDS-CSA/CMVSS
- (1B1) CODES/STANDARDS USA

(1B1)	(265)	(79H)	F38J
FIRST USED			
08 A-BODIES			
DO NOT SCALE DRAWING			
TITLE:			
WIRING INSTL-TV/DVD, SIDE			
SHEET 2	PART NO	160326	REV

NOTES:
 1 SEE ROOF ASM FOR ADDITIONAL INFORMATION.

FOR ELECTRICAL TORQUE SPECIFICATIONS SEE DWG NO. 128783-01-000

(X-X) FOR ELECTRICAL CALLOUTS SEE DWG NO. 121339-01-000



FOR ELECTRICAL TORQUE SPECIFICATIONS SEE DWG NO. 128783-01-000

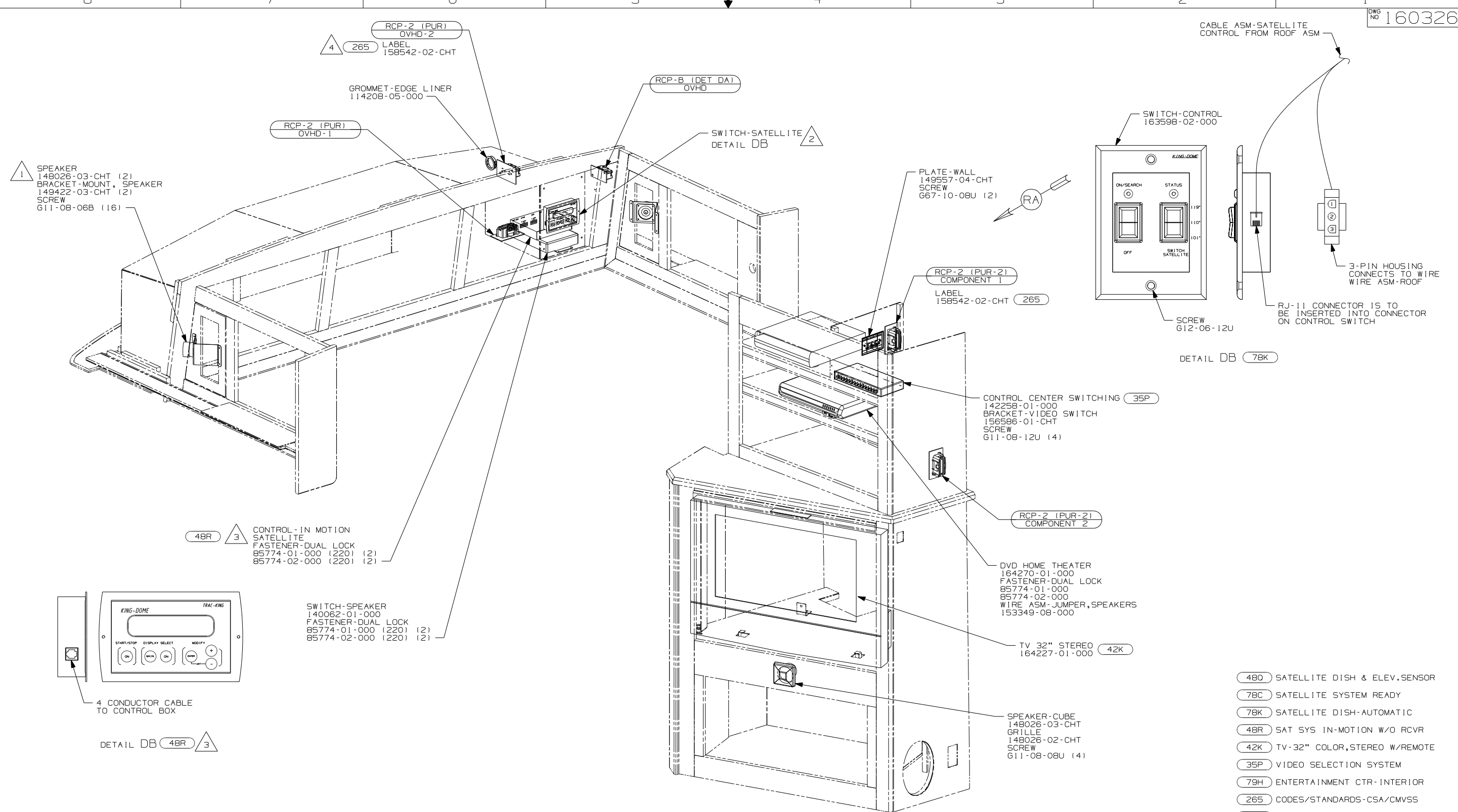
FOR ELECTRICAL CALLOUTS SEE DWG NO. 121339-01-000

- 78K SATELLITE DISH-AUTOMATIC
- 48R SAT SYS IN-MOTION W/O RCVR
- 42K TV-32" COLOR, STEREO W/REMOTE
- 35P VIDEO SELECTION SYSTEM
- 79H ENTERTAINMENT CTR-INTERIOR
- 265 CODES/STANDARDS-CSA/CMVSS
- 1B1 CODES/STANDARDS USA

1B1	265	79H	G37B
FIRST USED			
08 A-BODIES			
DO NOT SCALE DRAWING			
TITLE:			
WIRING INSTL-TV/DVD, SIDE			
SHEET 3	PART NO	160326	REV

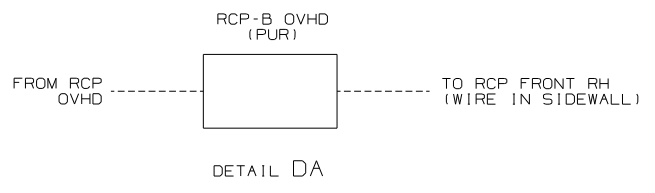
NOTES:

- 2 MOUNT SPEAKER AND BRACKET TO REMOVABLE SPEAKER COVER ON SIDE OF OVHD CABINET.
- 1 SEE ROOF ASM FOR ADDITIONAL INFORMATION.



- (480) SATELLITE DISH & ELEV.SENSOR
- (78C) SATELLITE SYSTEM READY
- (78K) SATELLITE DISH-AUTOMATIC
- (48R) SAT SYS IN-MOTION W/O RCVR
- (42K) TV-32" COLOR,STEREO W/REMOTE
- (35P) VIDEO SELECTION SYSTEM
- (79H) ENTERTAINMENT CTR-INTERIOR
- (265) CODES/STANDARDS-CSA/CMVSS
- (1B1) CODES/STANDARDS USA

- △ 4 ONLY WITH (78C) OR (480) OR (78K)
NOT USED WITH (48R)
- △ 3 PARTS ARE SUPPLIED WITH SATELLITE KIT 154474-02-000.
- △ 2 SEE ROOF ASM FOR ADDITIONAL INFORMATION.
- △ 1 MOUNT SPEAKER & BRACKET TO REMOVABLE SPEAKER COVER ON SIDE OF OVHD CABINET.



FOR ELECTRICAL TORQUE SPECIFICATIONS SEE DWG NO. 128783-01-000

(X-X) FOR ELECTRICAL CALLOUTS SEE DWG NO. 121339-01-000

(1B1) (265) (79H) G38J

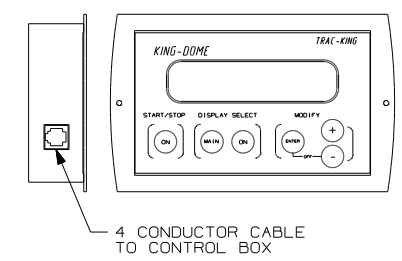
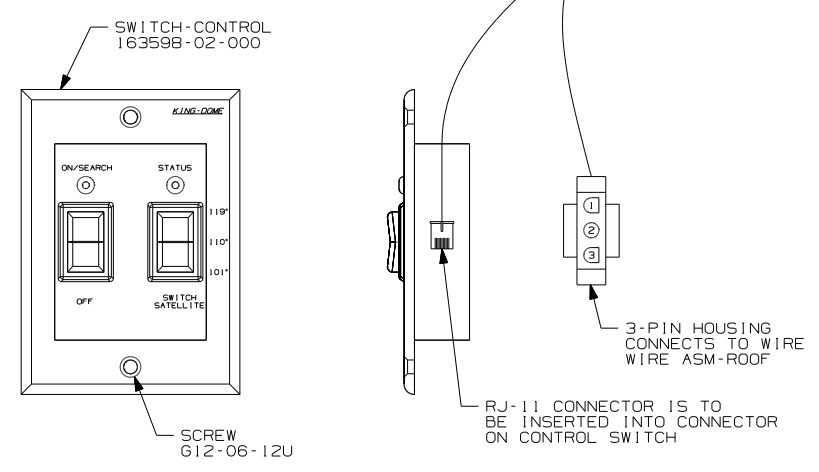
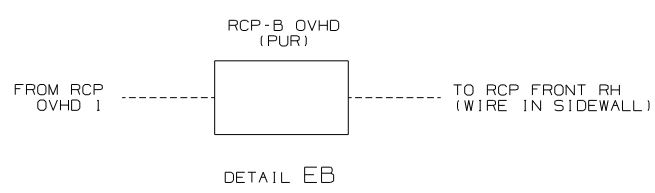
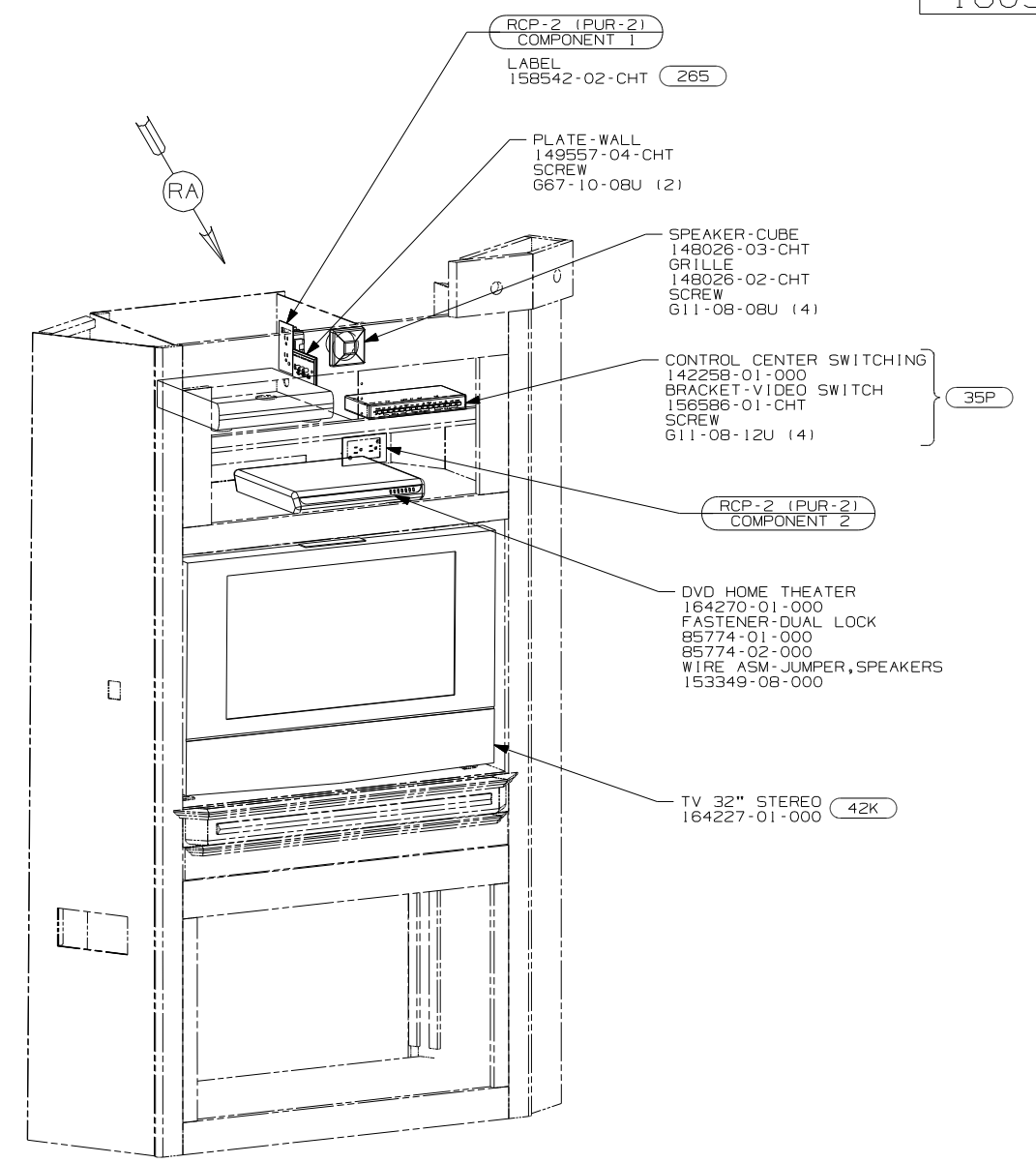
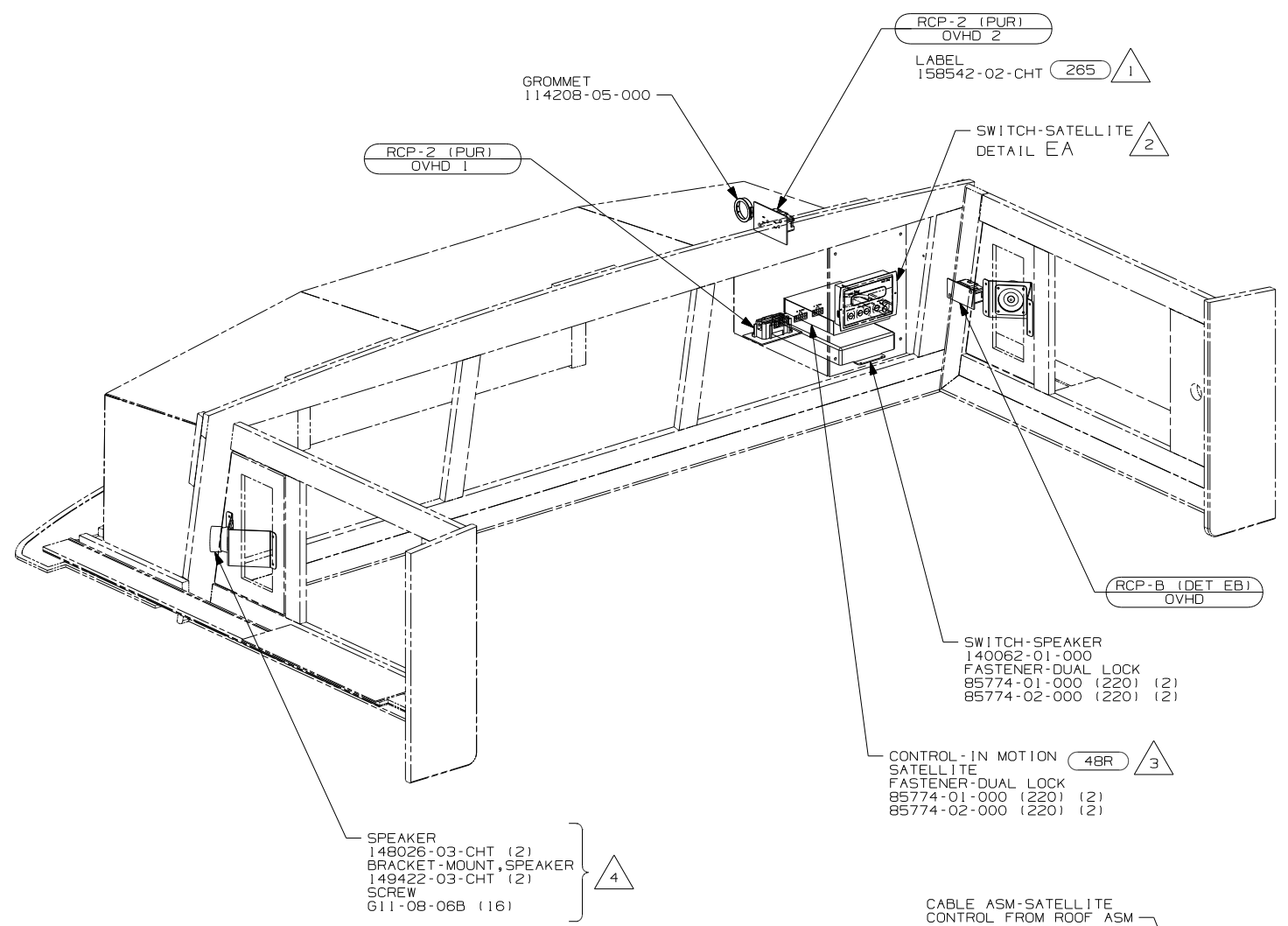
FIRST USED

08 A-BODIES

DO NOT SCALE DRAWING

TITLE: WIRING INSTL-TV/DVD, SIDE

SHEET 4 PART NO 160326 REV



- 480 SATELLITE DISH & ELEV.SENSOR
- 78C SATELLITE SYSTEM READY
- 78K SATELLITE DISH-AUTOMATIC
- 48R SAT SYS IN-MOTION W/O RCVR
- 42K TV-32" COLOR, STEREO W/REMOTE
- 35P VIDEO SELECTION SYSTEM
- 79H ENTERTAINMENT CTR-INTERIOR
- 265 CODES/STANDARDS-CSA/CMVSS
- 1B1 CODES/STANDARDS USA

- NOTES:
- 4 MOUNT SPEAKER AND BRACKET TO REMOVABLE SPEAKER COVER ON SIDE OF OVHD CABINET.
 - 3 PARTS ARE SUPPLIED WITH SATELLITE KIT 154474-02-000.
 - 2 SEE ROOF ASM FOR ADDITIONAL INFORMATION.
 - 1 ONLY WITH 78C OR 480 OR 78K NOT USED WITH 48R

FOR ELECTRICAL TORQUE SPECIFICATIONS SEE DWG NO. 128783-01-000

FOR ELECTRICAL CALLOUTS SEE DWG NO. 121339-01-000

1B1	265	79H	G38T
FIRST USED			
08 A-BODIES			
DO NOT SCALE DRAWING			
TITLE:			
WIRING INSTL-TV/DVD, SIDE			
SHEET 5	PART NO	160326	REV

1 SWITCH-SATELLITE
DETAIL FA

RCP-2 (PUR)
CAB OVHD

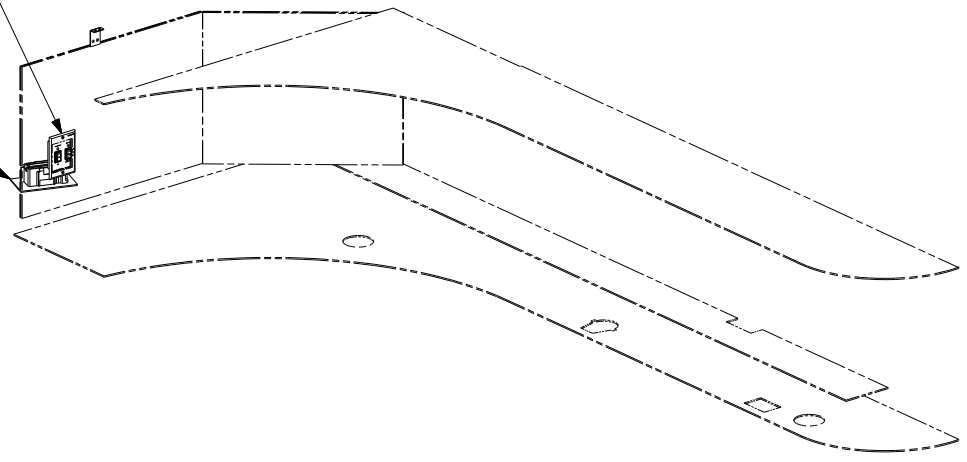


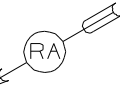
PLATE-WALL, COAX
149557-04-CHT
SCREW
667-10-08U (2)

RCP-2 (PUR)
COMPONENT-2

HOME THEATER SYSTEM
164270-01-000
WIRE ASM-JUMPER
153349-08-000
FASTENER-DUAL LOCK
85774-01-000 (2-200MM)
85774-02-000 (2-200MM)

CONTROL CENTER SWITCHING
142258-01-000
FASTENER-DUAL LOCK
85774-01-000 (2-100MM)
85774-02-000 (2-100MM)

LAMP ASM-ROPE
160259-02-054



TV-30 SAMSUNG
160363-02-000

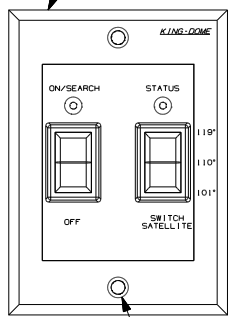
RCP-2 (PUR)
COMPONENT
LABEL
158542-02-CHT 265

SATELLITE RECEIVER
(REF)

SPEAKER
160868-01-000 (3)
SCREW
611-08-08U (12)

CABLE ASM-SATELLITE
CONTROL FROM ROOF ASM

SWITCH-CONTROL
163598-02-000



SCREW
G12-06-12U

3-PIN HOUSING
CONNECTS TO WIRE
WIRE ASM-ROOF

RJ-11 CONNECTOR IS TO
BE INSERTED INTO CONNECTOR
ON CONTROL SWITCH

DETAIL FA 78K

SWITCH-SPEAKER
140062-01-000
SCREW
667-06-10T (4)

SUBWOOFER
124884-01-000
GRILLE-SPEAKER
151844-01-CHT
SCREW
76790-01-000 (4)

- 35P VIDEO SELECTION SYSTEM
- 43G TV-30" COLOR, STEREO W/REMOTE
- 1JM HOME THEATER SOUND SYSTEM
- 79H ENTERTAINMENT CTR-INTERIOR
- 265 CODES/STANDARDS-CSA/CMVSS
- 1B1 CODES/STANDARDS USA

M-SER

1B1 265 79H 1JM 43G 35P

08 A-BODIES

DO NOT SCALE DRAWING

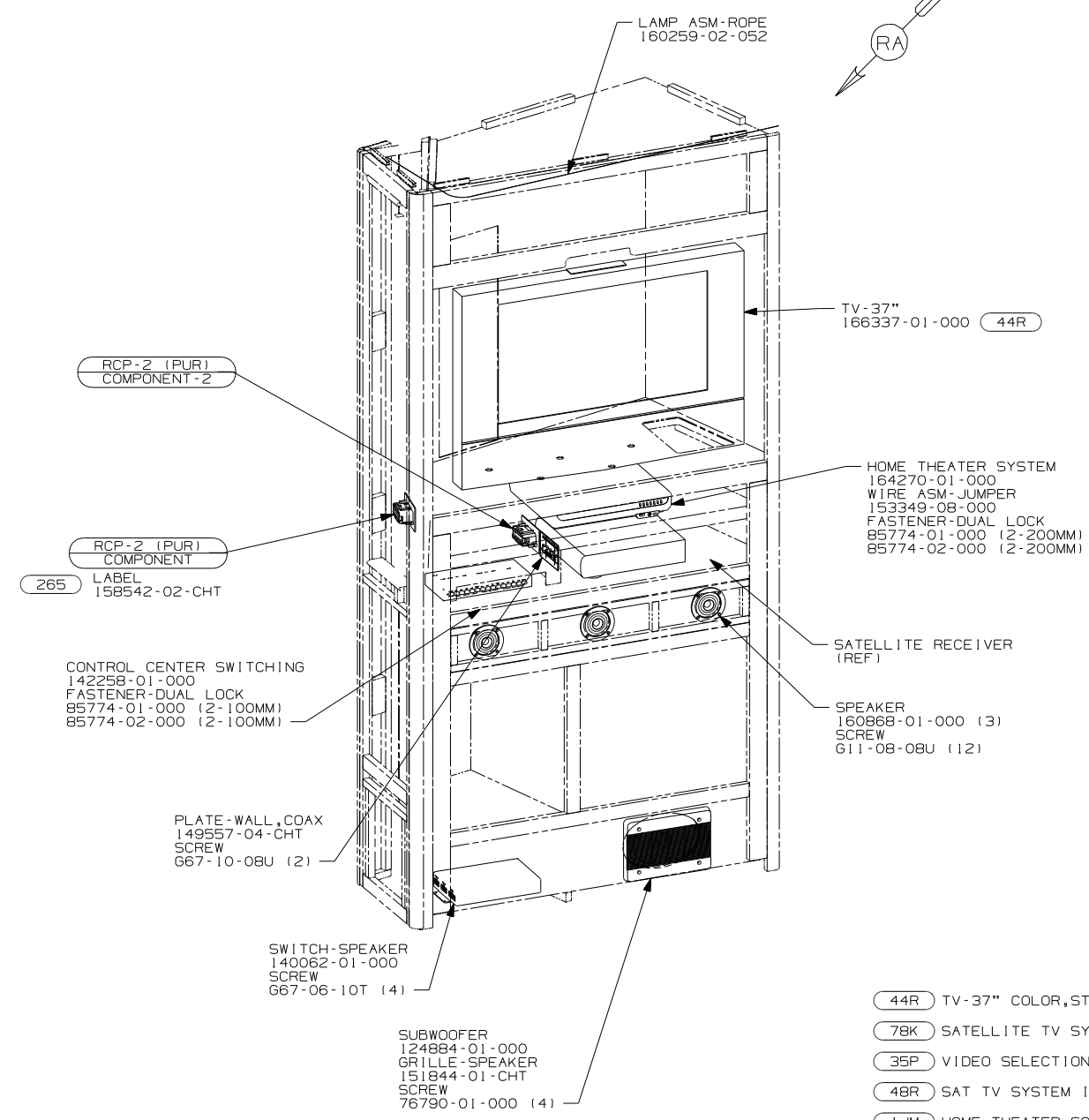
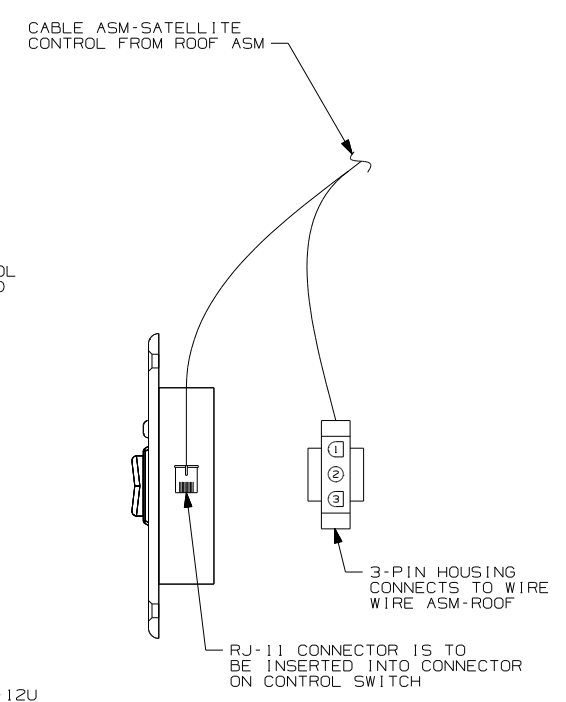
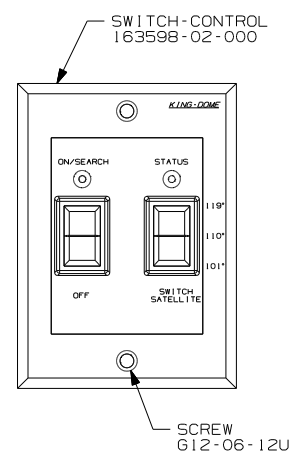
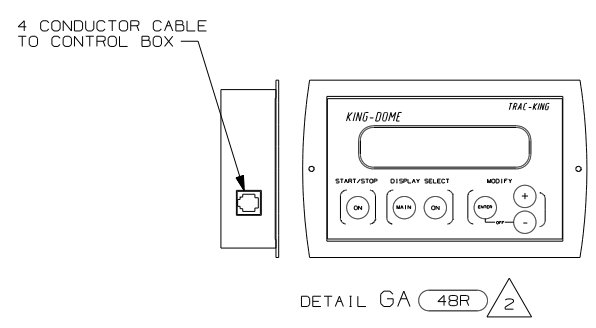
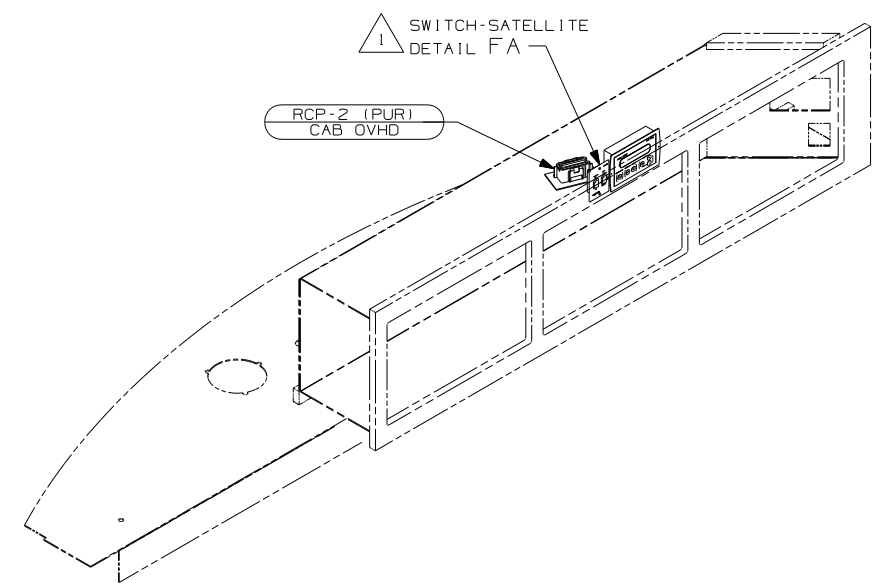
TITLE:
WIRING INSTL-TV/DVD, SIDE

SHEET 6 PART NO 160326 REV

FOR ELECTRICAL
TORQUE
SPECIFICATIONS
SEE DWG NO.
128783-01-000

X-X
FOR ELECTRICAL
CALLOUTS
SEE DWG NO.
121339-01-000

1 SEE ROOF ASM FOR ADDITIONAL INFORMATION.
NOTES:



- 44R TV-37" COLOR, STEREO W/REMOTE
- 78K SATELLITE TV SYSTEM AUTO
- 35P VIDEO SELECTION SYSTEM
- 48R SAT TV SYSTEM IN-MOTION
- 1JM HOME THEATER SOUND SYSTEM
- 79H ENTERTAINMENT CTR-INTERIOR
- 265 CODES/STANDARDS-CSA/CMVSS
- 1B1 CODES/STANDARDS USA

NOTES:

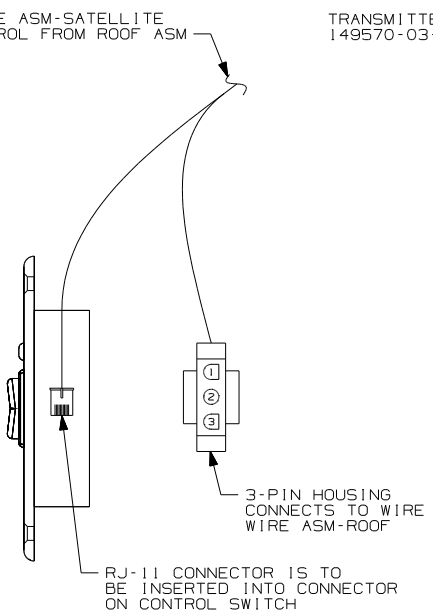
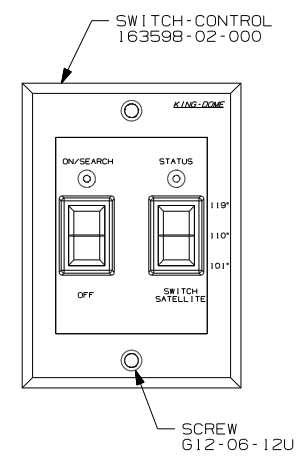
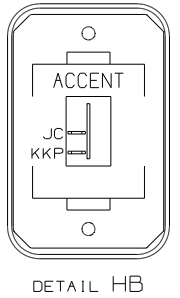
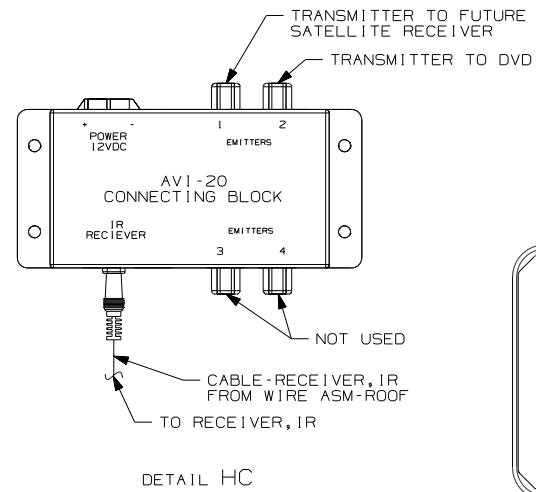
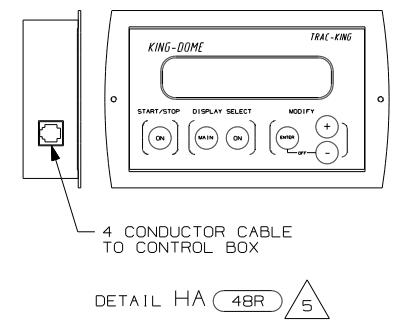
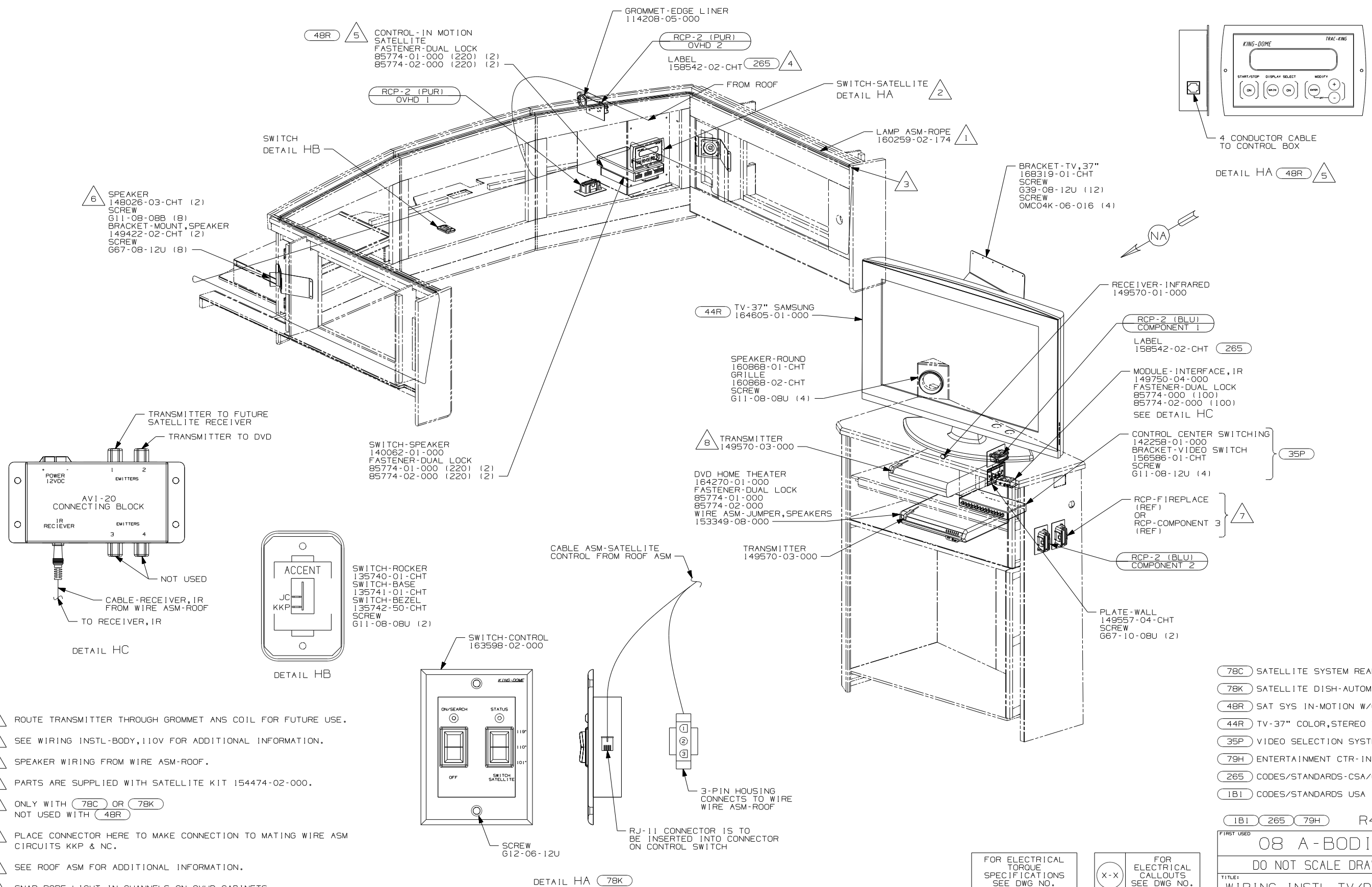
2 PARTS ARE SUPPLIED WITH SATELLITE KIT
154474-02-000

1 SEE ROOF ASM FOR ADDITIONAL INFORMATION.

FOR ELECTRICAL
TORQUE
SPECIFICATIONS
SEE DWG NO.
128783-01-000

FOR ELECTRICAL
CALLOUTS
SEE DWG NO.
121339-01-000

FIRST USED		
08 A-BODIES		
DO NOT SCALE DRAWING		
TITLE: WIRING INSTL-TV/DVD, SIDE		
SHEET 7	PART NO 160326	REV



- NOTES:
- 8 ROUTE TRANSMITTER THROUGH GROMMET AND COIL FOR FUTURE USE.
 - 7 SEE WIRING INSTL-BODY, 110V FOR ADDITIONAL INFORMATION.
 - 6 SPEAKER WIRING FROM WIRE ASM-ROOF.
 - 5 PARTS ARE SUPPLIED WITH SATELLITE KIT 154474-02-000.
 - 4 ONLY WITH 78C OR 78K NOT USED WITH 48R
 - 3 PLACE CONNECTOR HERE TO MAKE CONNECTION TO MATING WIRE ASM CIRCUITS KKP & NC.
 - 2 SEE ROOF ASM FOR ADDITIONAL INFORMATION.
 - 1 SNAP ROPE LIGHT IN CHANNELS ON OVHD CABINETS.

- 78C) SATELLITE SYSTEM READY
- 78K) SATELLITE DISH-AUTOMATIC
- 48R) SAT SYS IN-MOTION W/O RCVR
- 44R) TV-37" COLOR, STEREO W/REMOTE
- 35P) VIDEO SELECTION SYSTEM
- 79H) ENTERTAINMENT CTR-INTERIOR
- 265) CODES/STANDARDS-CSA/CMVSS
- 1B1) CODES/STANDARDS USA

FOR ELECTRICAL TORQUE SPECIFICATIONS SEE DWG NO. 128783-01-000

FOR ELECTRICAL CALLOUTS SEE DWG NO. 121339-01-000

1B1 265 79H R40FD

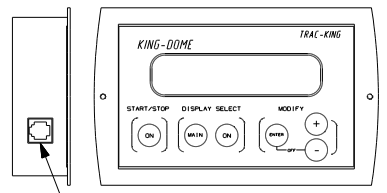
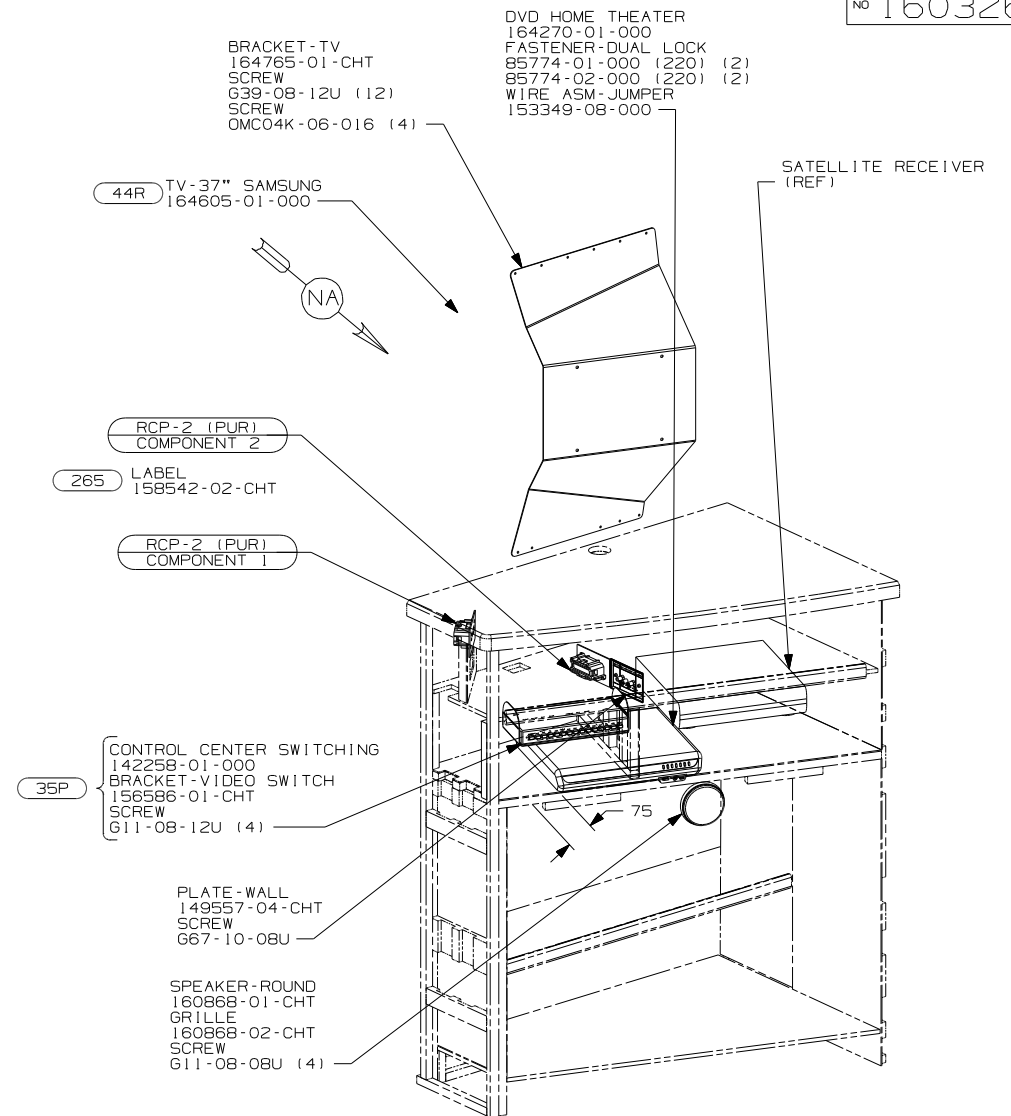
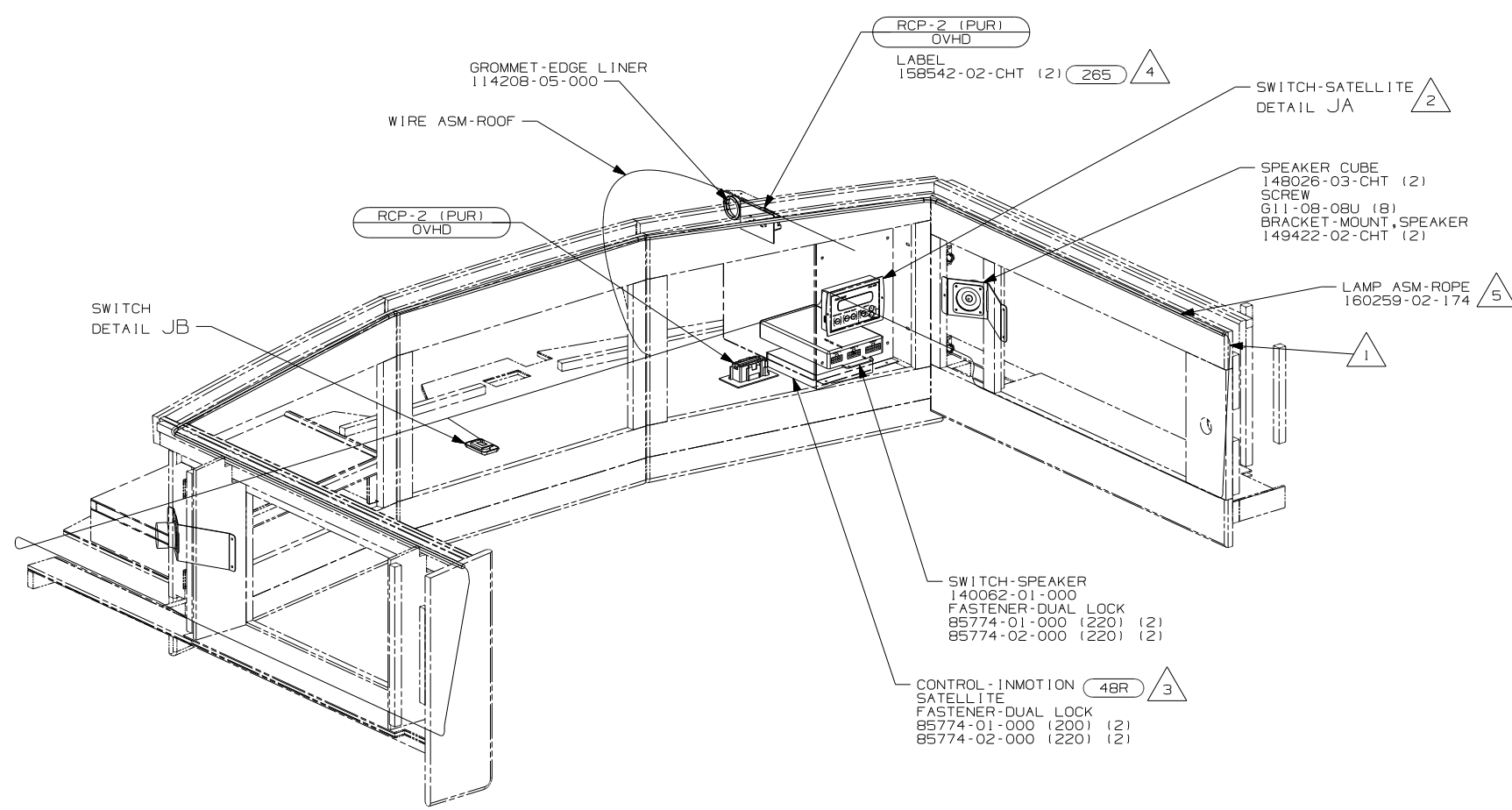
FIRST USED

08 A-BODIES

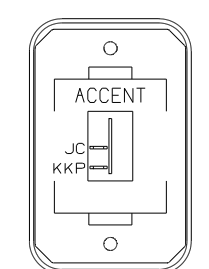
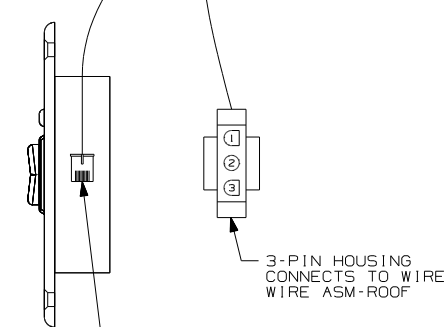
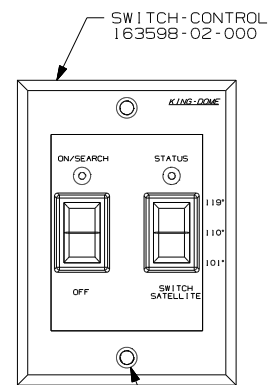
DO NOT SCALE DRAWING

TITLE: WIRING INSTL-TV/DVD, SIDE

SHEET 8 PART NO 160326 REV



4 CONDUCTOR CABLE TO CONTROL BOX



SWITCH-ROCKER 135740-01-CHT SWITCH-BASE 135741-01-CHT SWITCH-BEZEL 135742-50-CHT SCREW G11-08-08U (2)

- (78K) SATELLITE DISH-AUTOMATIC
- (78C) SATELLITE SYSTEM READY
- (48R) SAT SYS IN-MOTION W/O RCVR
- (44R) TV-37" COLOR,STEREO W/REMOTE
- (35P) VIDEO SELECTION SYSTEM
- (265) CODES/STANDARDS-CSA/CMVSS
- (1B1) CODES/STANDARDS USA

- 5 SNAP ROPE LAMP IN CHANNELS ON OVER HEAD CABINETS.
- 4 ONLY WITH (78C) OR (78K) NOT USED WITH (48R)
- 3 PARTS ARE SUPPLIED WITH SATELLITE KIT 154474-02-000.
- 2 SEE ROOF ASM FOR ADDITIONAL INFORMATION.
- 1 PLACE CONNECTOR HERE TO MAKE CONNECTION TO MATING WIRE ASM CIRCUITS KKP & NC.

FOR ELECTRICAL TORQUE SPECIFICATIONS SEE DWG NO. 128783-01-000

FOR ELECTRICAL CALLOUTS SEE DWG NO. 121339-01-000

FIRST USED

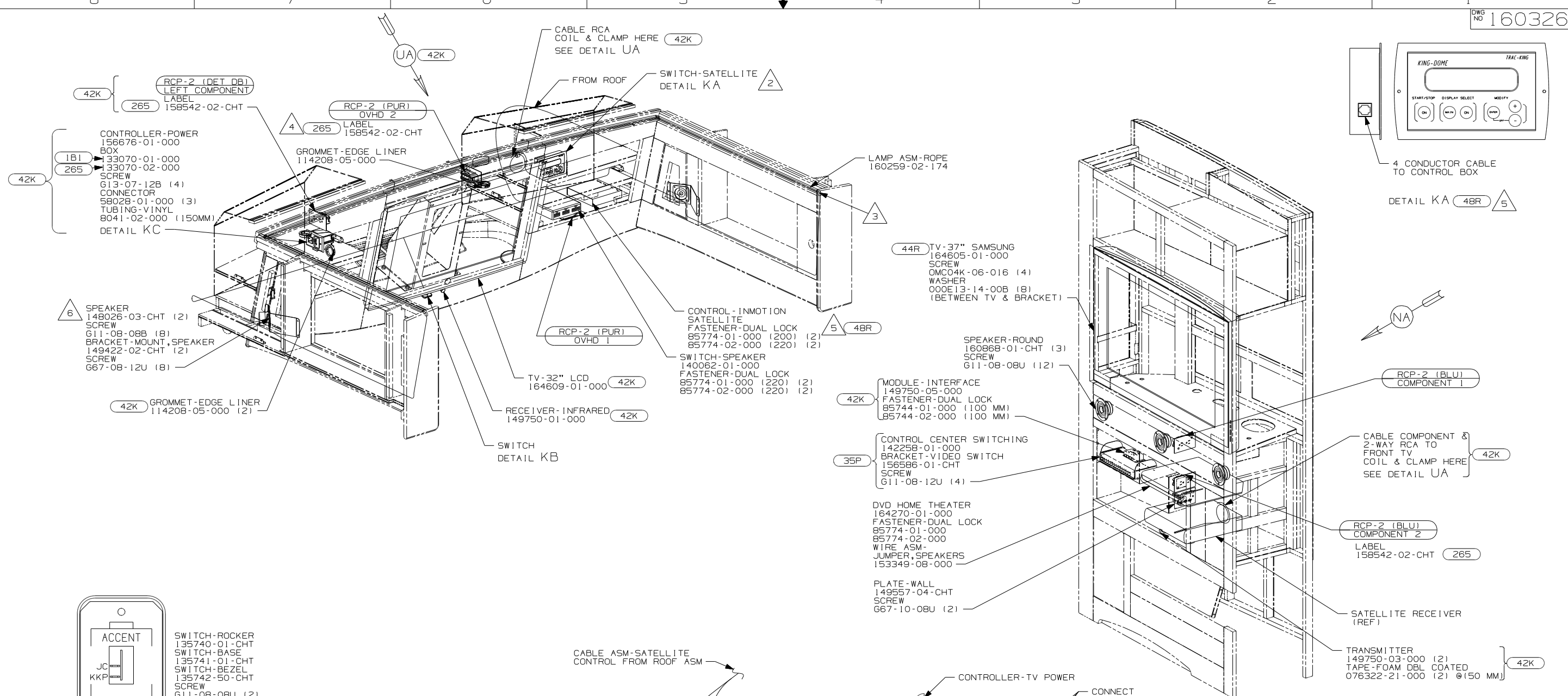
08 A-BODIES

DO NOT SCALE DRAWING

TITLE: WIRING INSTL-TV/DVD,SIDE

SHEET 9 PART NO 160326 REV

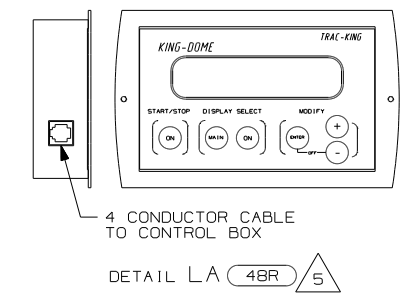
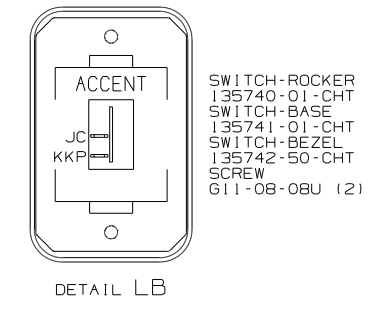
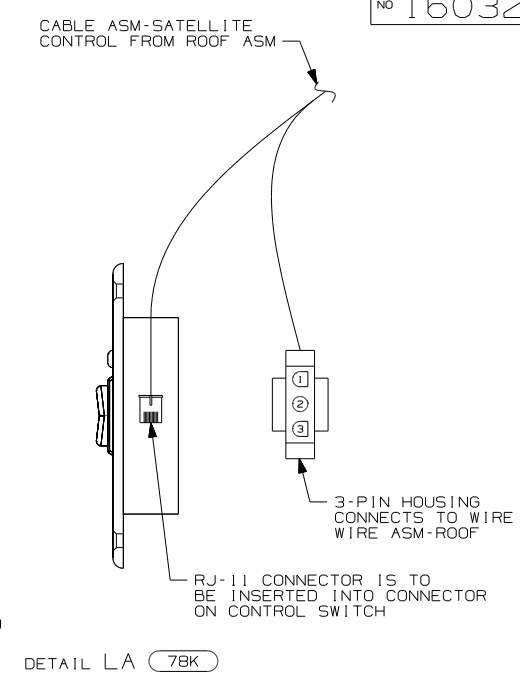
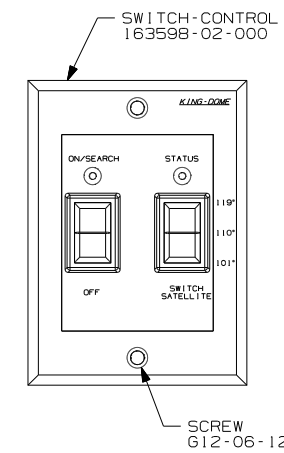
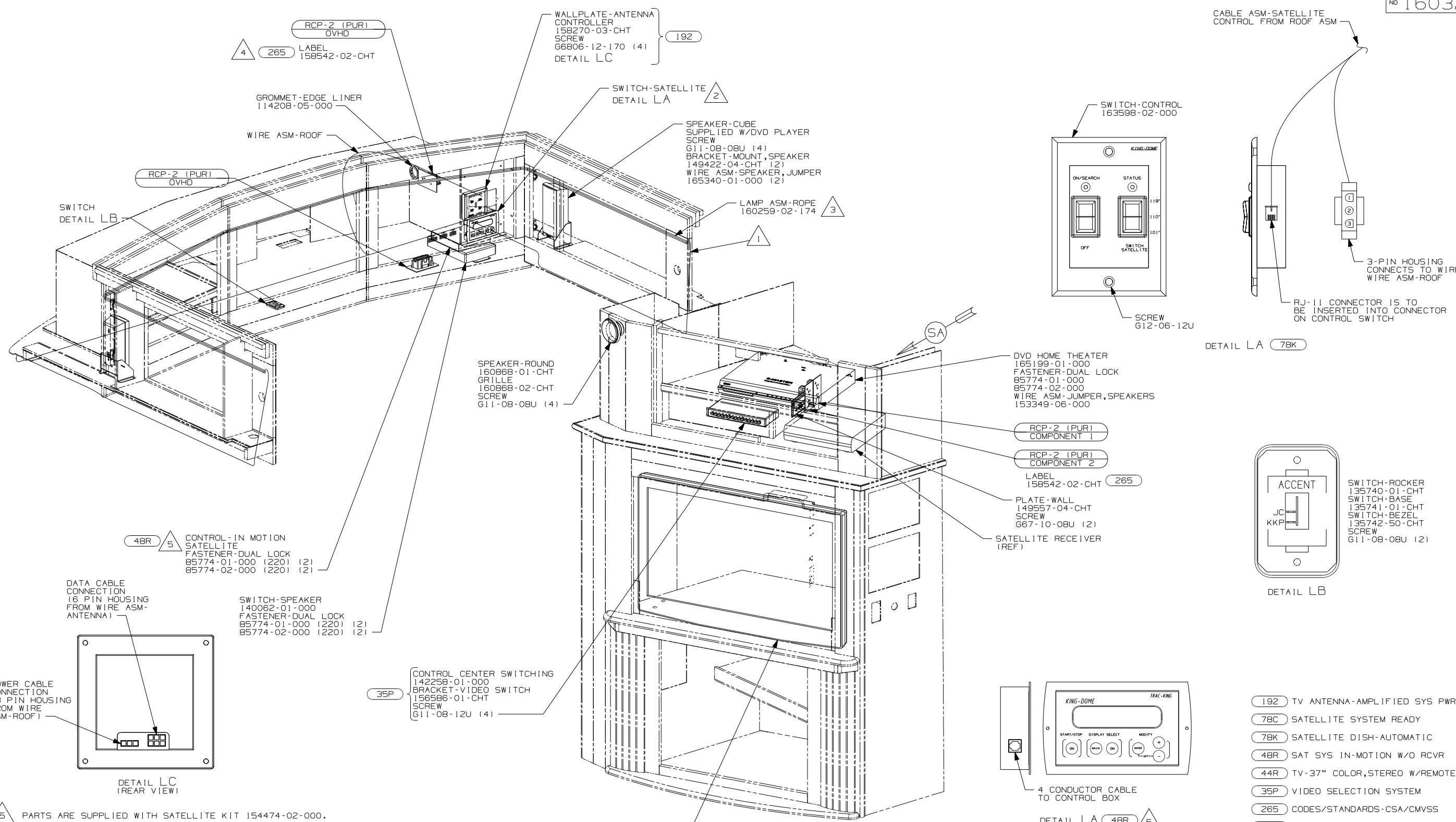
R40TD



- NOTES:
- 7 SEE WIRING INSTL-BODY, 110V FOR ADDITIONAL INFORMATION.
 - 6 SPEAKER WIRING FROM WIRE ASM-ROOF.
 - 5 PARTS ARE SUPPLIED WITH SATELLITE KIT 154474-02-000.
 - 4 ONLY WITH (78C) OR (78K) NOT USED WITH (48R)
 - 3 PLACE CONNECTOR HERE TO MAKE CONNECTION TO MATING WIRE ASM CIRCUITS KKP & NC.
 - 2 SEE ROOF ASM FOR ADDITIONAL INFORMATION.
 - 1 SNAP ROPE LIGHT IN CHANNELS ON OVHD CABINETS.

- (42K) TV-32" COLOR, STEREO W/REMOTE
- (78C) SATELLITE SYSTEM READY
- (78K) SATELLITE DISH-AUTOMATIC
- (48R) SAT SYS IN-MOTION W/O RCVR
- (44R) TV-37" COLOR, STEREO W/REMOTE
- (35P) VIDEO SELECTION SYSTEM
- (79H) ENTERTAINMENT CTR-INTERIOR
- (265) CODES/STANDARDS-CSA/CMVSS
- (1B1) CODES/STANDARDS USA

FIRST USED		R40WD	
08 A-BODIES			
DO NOT SCALE DRAWING			
TITLE:			
WIRING INSTL-TV/DVD, SIDE			
SHEET 10	PART NO	160326	REV



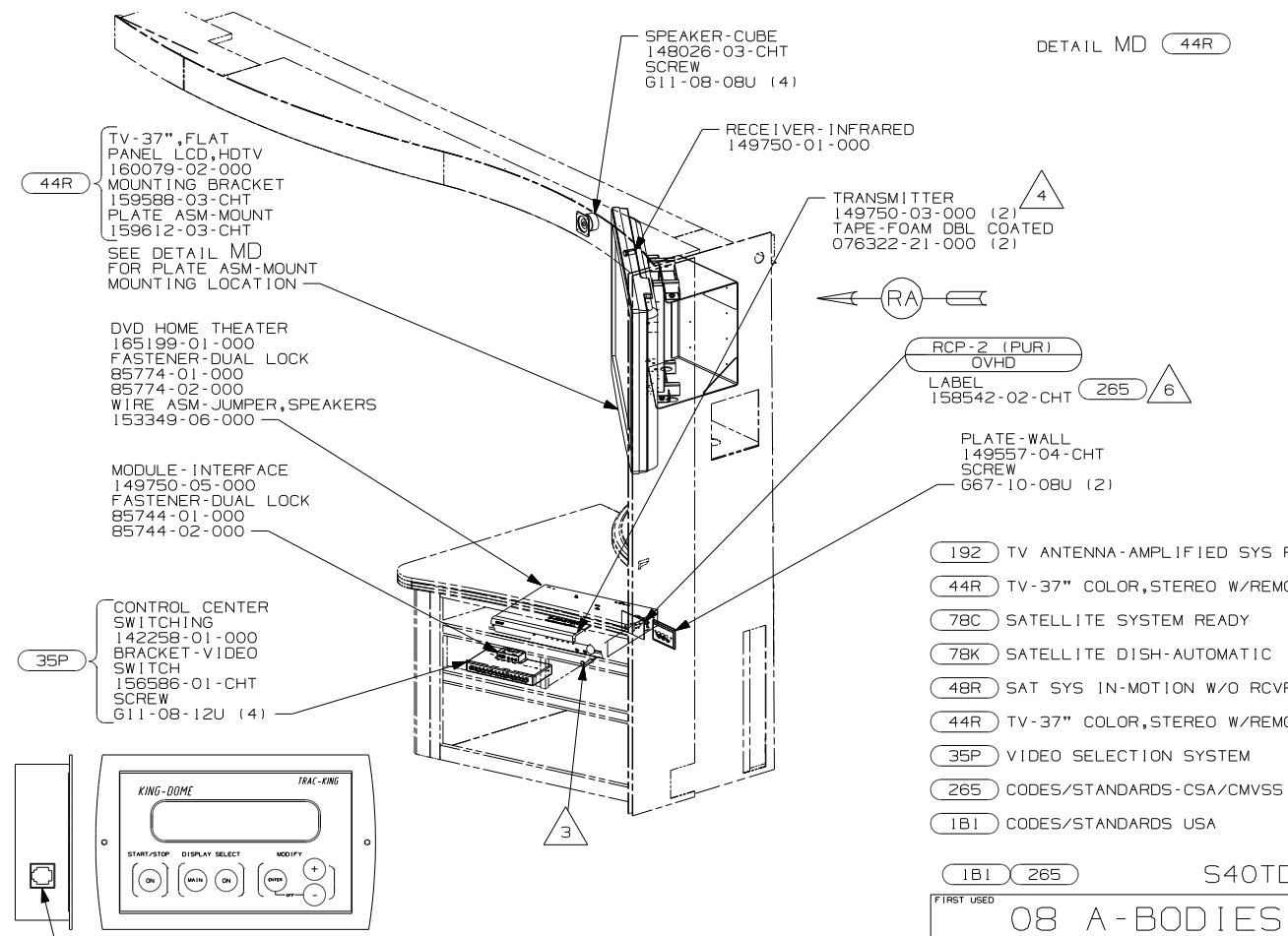
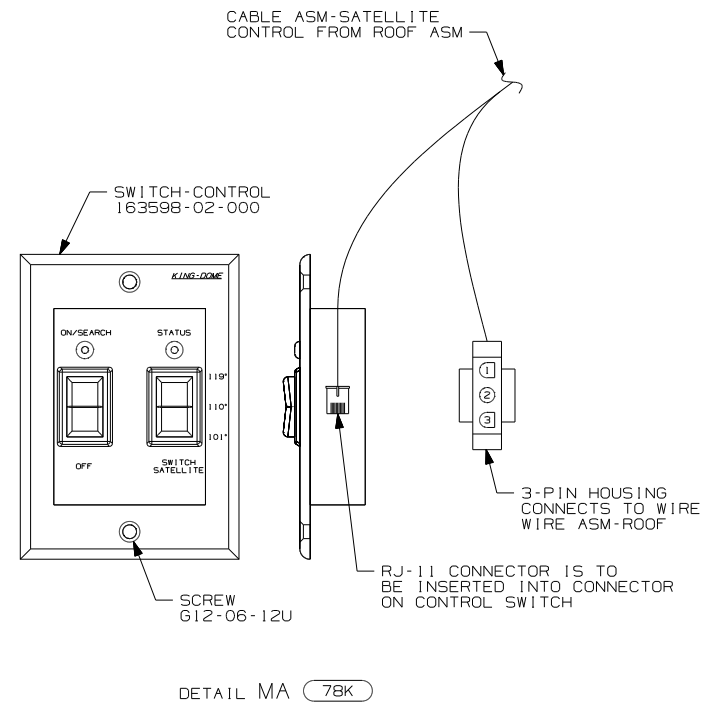
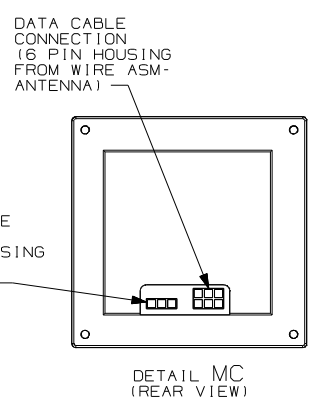
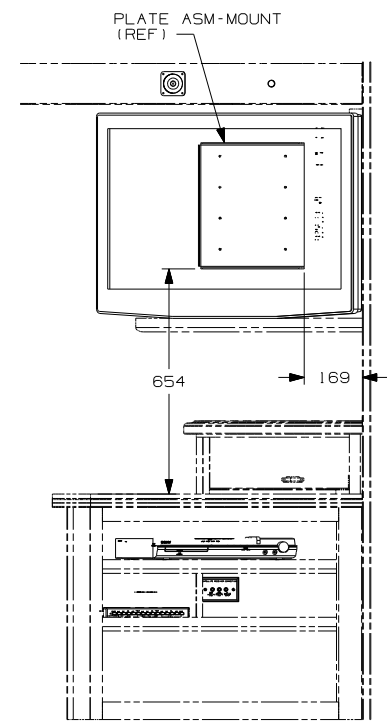
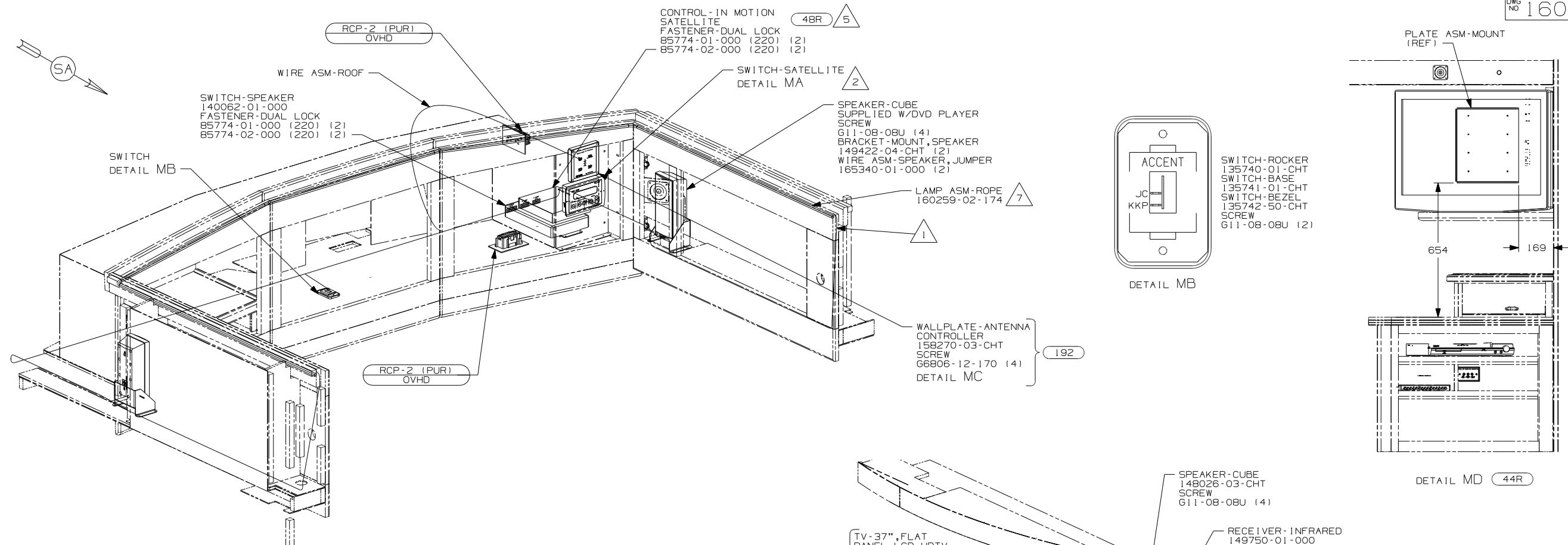
- (192) TV ANTENNA-AMPLIFIED SYS PWR
- (78C) SATELLITE SYSTEM READY
- (78K) SATELLITE DISH-AUTOMATIC
- (48R) SAT SYS IN-MOTION W/O RCVR
- (44R) TV-37" COLOR,STEREO W/REMOTE
- (35P) VIDEO SELECTION SYSTEM
- (265) CODES/STANDARDS-CSA/CMVSS
- (1B1) CODES/STANDARDS USA

- NOTES:
- 5 PARTS ARE SUPPLIED WITH SATELLITE KIT 154474-02-000.
 - 4 ONLY WITH (78C) OR (78K)
NOT USED WITH (48R)
 - 3 SNAP ROPE LAMP IN CHANNELS ON OVERHEAD CABINETS.
 - 2 SEE ROOF ASM FOR ADDITIONAL INFORMATION.
 - 1 PLACE CONNECTOR HERE TO MAKE CONNECTION TO MATING WIRE ASM CIRCUITS KKP & NC.

FOR ELECTRICAL TORQUE SPECIFICATIONS SEE DWG NO. 128783-01-000

X-X FOR ELECTRICAL CALLOUTS SEE DWG NO. 121339-01-000

FIRST USED	S40FD
08 A-BODIES	
DO NOT SCALE DRAWING	
TITLE: WIRING INSTL-TV/DVD, SIDE	
SHEET 11	PART NO 160326 REV



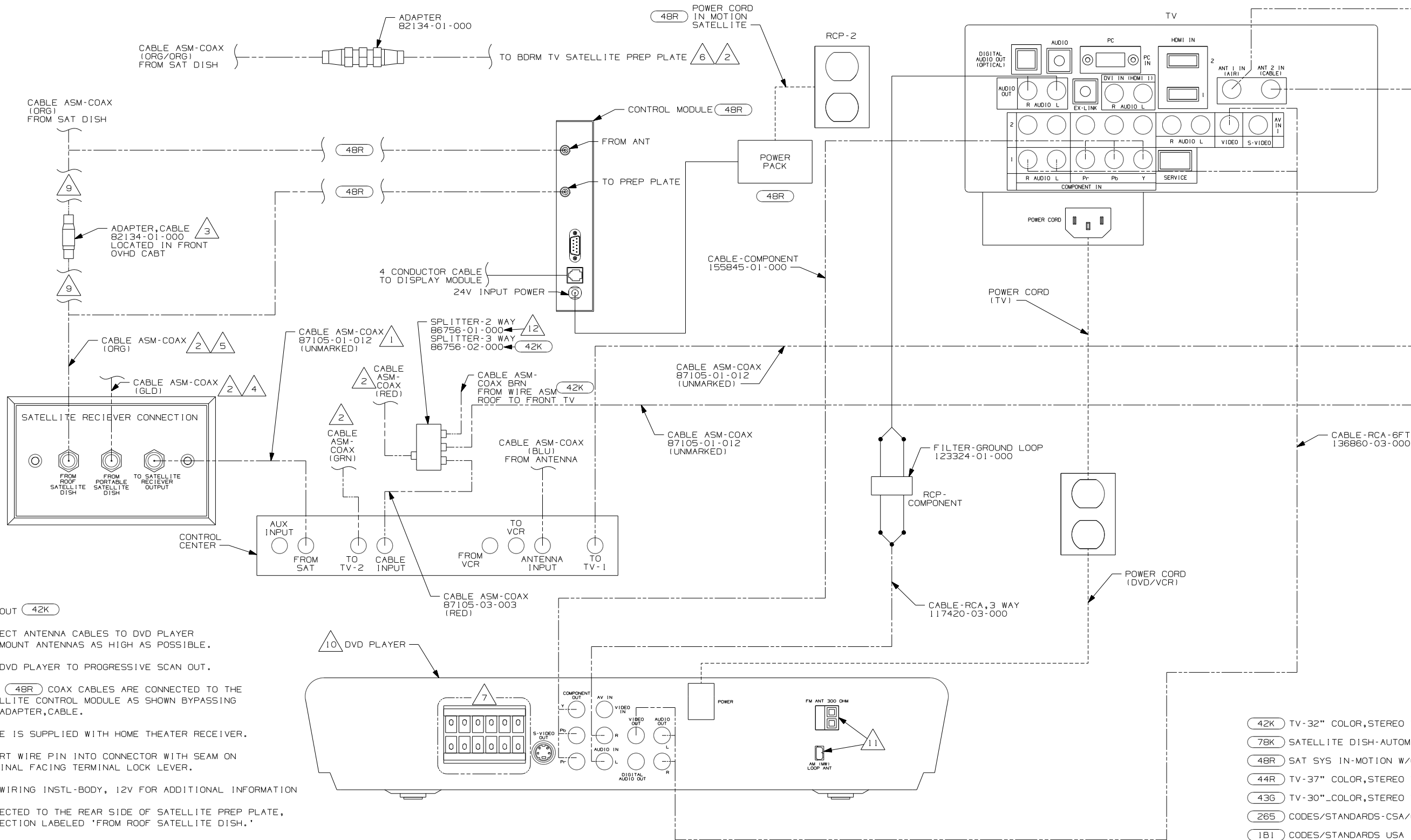
- NOTES:
- 7 SNAP ROPE LAMP IN CHANNELS ON OVER HEAD CABINES.
 - 6 ONLY WITH 78C OR 78K NOT USED WITH 48R
 - 5 PARTS ARE SUPPLIED WITH SATELLITE KIT 154474-02-000.
 - 4 POSITION TRANSMITTER ON THE TOP OF THE DVD/VCR USING TIE-MOUNT 155366-01-000 AND TIE-WIRE 8343-01-000 115MM FROM THE RIGHT SIDE TO LINE UP WITH THE RECEIVER EYE.
 - 3 POSITION TRANSMITTER IN THE CORNER OF THE OPENING.
 - 2 SEE WIRING INSTL-BODY,12V FOR ADDITIONAL INFORMATION.
 - 1 PLACE CONNECTOR HERE TO MAKE CONNECTION TO MATING WIRE ASM CIRCUITS KKP & NC.

FOR ELECTRICAL TORQUE SPECIFICATIONS SEE DWG NO. 128783-01-000

X-X FOR ELECTRICAL CALLOUTS SEE DWG NO. 121339-01-000

- 192 TV ANTENNA-AMPLIFIED SYS PWR
- 44R TV-37" COLOR,STEREO W/REMOTE
- 78C SATELLITE SYSTEM READY
- 78K SATELLITE DISH-AUTOMATIC
- 48R SAT SYS IN-MOTION W/O RCVR
- 44R TV-37" COLOR,STEREO W/REMOTE
- 35P VIDEO SELECTION SYSTEM
- 265 CODES/STANDARDS-CSA/CMVSS
- 1B1 CODES/STANDARDS USA

FIRST USED	S40TD
08 A-BODIES	
DO NOT SCALE DRAWING	
TITLE: WIRING INSTL-TV/DVD, SIDE	
SHEET 12	PART NO 160326 REV

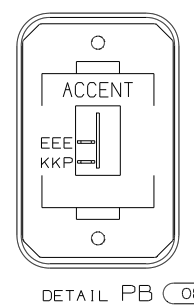
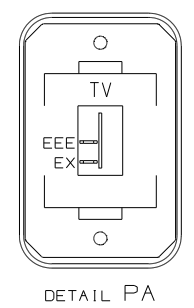
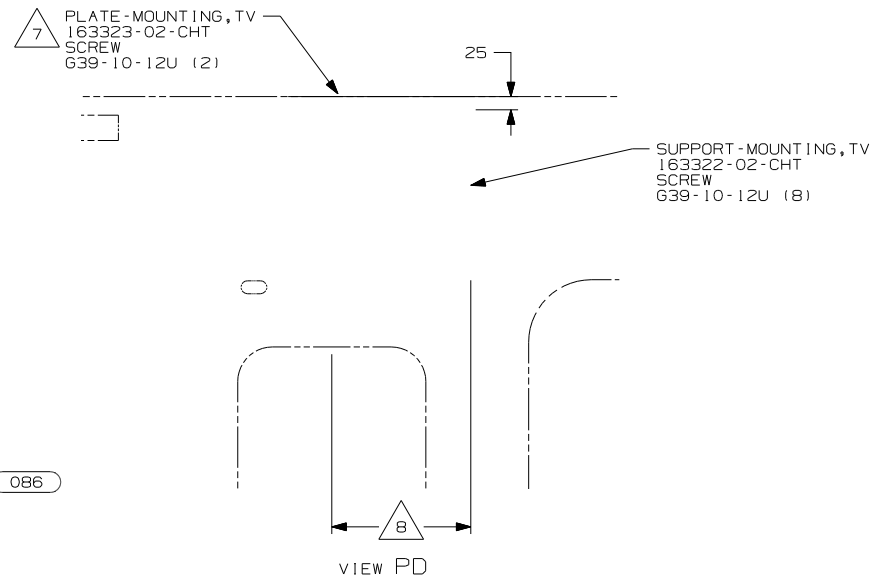
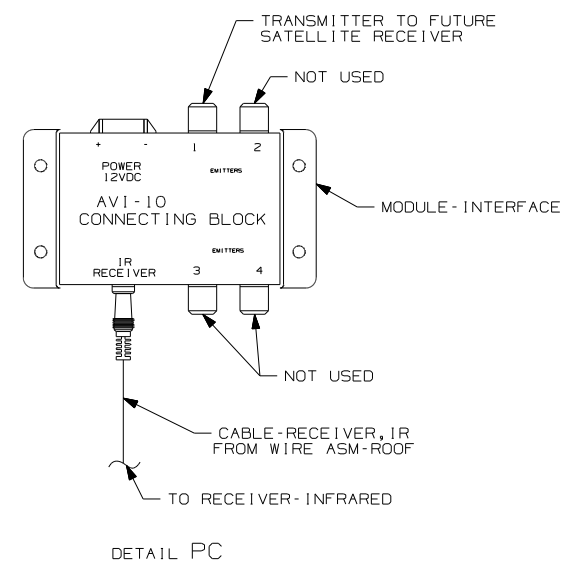
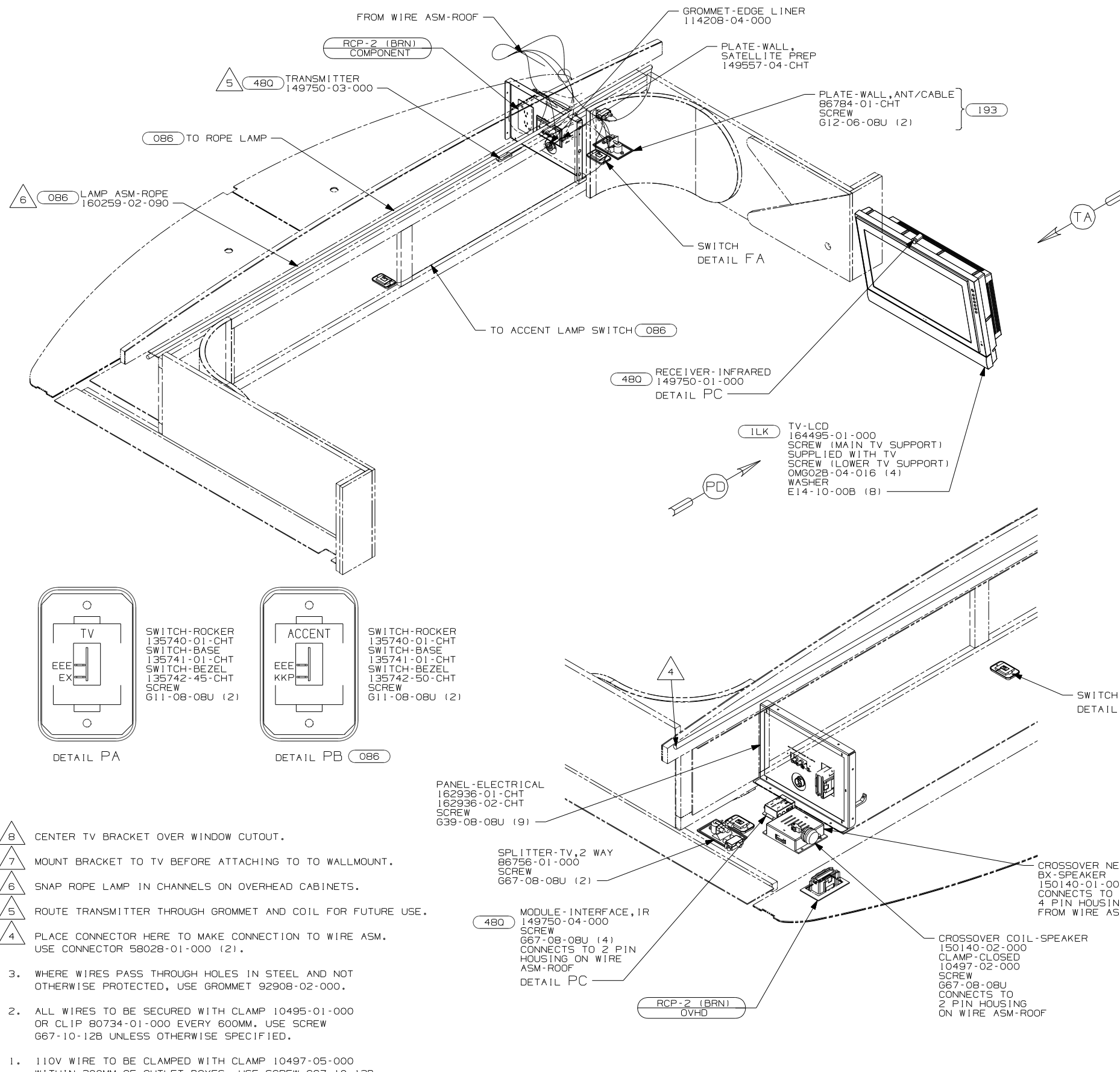


- 12 WITHOUT 42K
- 11 CONNECT ANTENNA CABLES TO DVD PLAYER AND MOUNT ANTENNAS AS HIGH AS POSSIBLE.
- 10 SET DVD PLAYER TO PROGRESSIVE SCAN OUT.
- 9 WITH 48R COAX CABLES ARE CONNECTED TO THE SATELLITE CONTROL MODULE AS SHOWN BYPASSING THE ADAPTER, CABLE.
- 8 CABLE IS SUPPLIED WITH HOME THEATER RECEIVER.
- 7 INSERT WIRE PIN INTO CONNECTOR WITH SEAM ON TERMINAL FACING TERMINAL LOCK LEVER.
- 6 SEE WIRING INSTL-BODY, 12V FOR ADDITIONAL INFORMATION
- 5 CONNECTED TO THE REAR SIDE OF SATELLITE PREP PLATE, CONNECTION LABELED 'FROM ROOF SATELLITE DISH.'
- 4 CONNECTED TO THE REAR SIDE OF SATELLITE PREP PLATE, CONNECTION LABELED 'FROM PORTABLE SATELLITE DISH.'
- 3 NOT USED WITH 48R
- 2 CABLE ROUTED IN ROOF OR THROUGH WIRE ASM-COACH.
- 1 CONNECTED TO THE REAR SIDE OF SATELLITE PREP PLATE, CONNECTION LABELED 'TO SATELLITE RECEIVER OUTPUT.'

- 42K TV-32" COLOR, STEREO W/REMOTE
- 78K SATELLITE DISH-AUTOMATIC
- 48R SAT SYS IN-MOTION W/O RCVR
- 44R TV-37" COLOR, STEREO W/REMOTE
- 43G TV-30" COLOR, STEREO W/REMOTE
- 265 CODES/STANDARDS-CSA/CMVSS
- 1B1 CODES/STANDARDS USA

FIRST USED	
08 A-BODIES	
DO NOT SCALE DRAWING	
TITLE:	
WIRING INSTL-TV/DVD, SIDE	
SHEET 13	PART NO 160326

VIEW NA R-SERIES W/SAMSUNG TV



SWITCH-ROCKER 135740-01-CHT
SWITCH-BASE 135741-01-CHT
SWITCH-BEZEL 135742-45-CHT
SCREW 611-08-08U (2)

SWITCH-ROCKER 135740-01-CHT
SWITCH-BASE 135741-01-CHT
SWITCH-BEZEL 135742-50-CHT
SCREW 611-08-08U (2)

- NOTES:
- 110V WIRE TO BE CLAMPED WITH CLAMP 10497-05-000 WITHIN 200MM OF OUTLET BOXES, USE SCREW G67-10-12B.
 - WHERE WIRES PASS THROUGH HOLES IN STEEL AND NOT OTHERWISE PROTECTED, USE GROMMET 92908-02-000.
 - ALL WIRES TO BE SECURED WITH CLAMP 10495-01-000 OR CLIP 80734-01-000 EVERY 600MM. USE SCREW G67-10-12B UNLESS OTHERWISE SPECIFIED.
 - PLACE CONNECTOR HERE TO MAKE CONNECTION TO WIRE ASM. USE CONNECTOR 58028-01-000 (2).
 - ROUTE TRANSMITTER THROUGH GROMMET AND COIL FOR FUTURE USE.
 - SNAP ROPE LAMP IN CHANNELS ON OVERHEAD CABINETS.
 - MOUNT BRACKET TO TV BEFORE ATTACHING TO TO WALLMOUNT.
 - CENTER TV BRACKET OVER WINDOW CUTOUT.

- 480 SATELLITE DISH & ELEV.SENSOR
- 193 TV ANTENNA-AMPLIFIED SYSTEM
- 086 INTERIOR UPGRADE PACKAGE
- 1LK TV-19"DC,COLOR,LCD W/REMOTE
- 265 CODES/STANDARDS-CSA/CMVSS
- 1B1 CODES/STANDARDS USA

FOR ELECTRICAL TORQUE SPECIFICATIONS SEE DWG NO. 128783-01-000

FOR ELECTRICAL CALLOUTS SEE DWG NO. 121339-01-000

FIRST USED

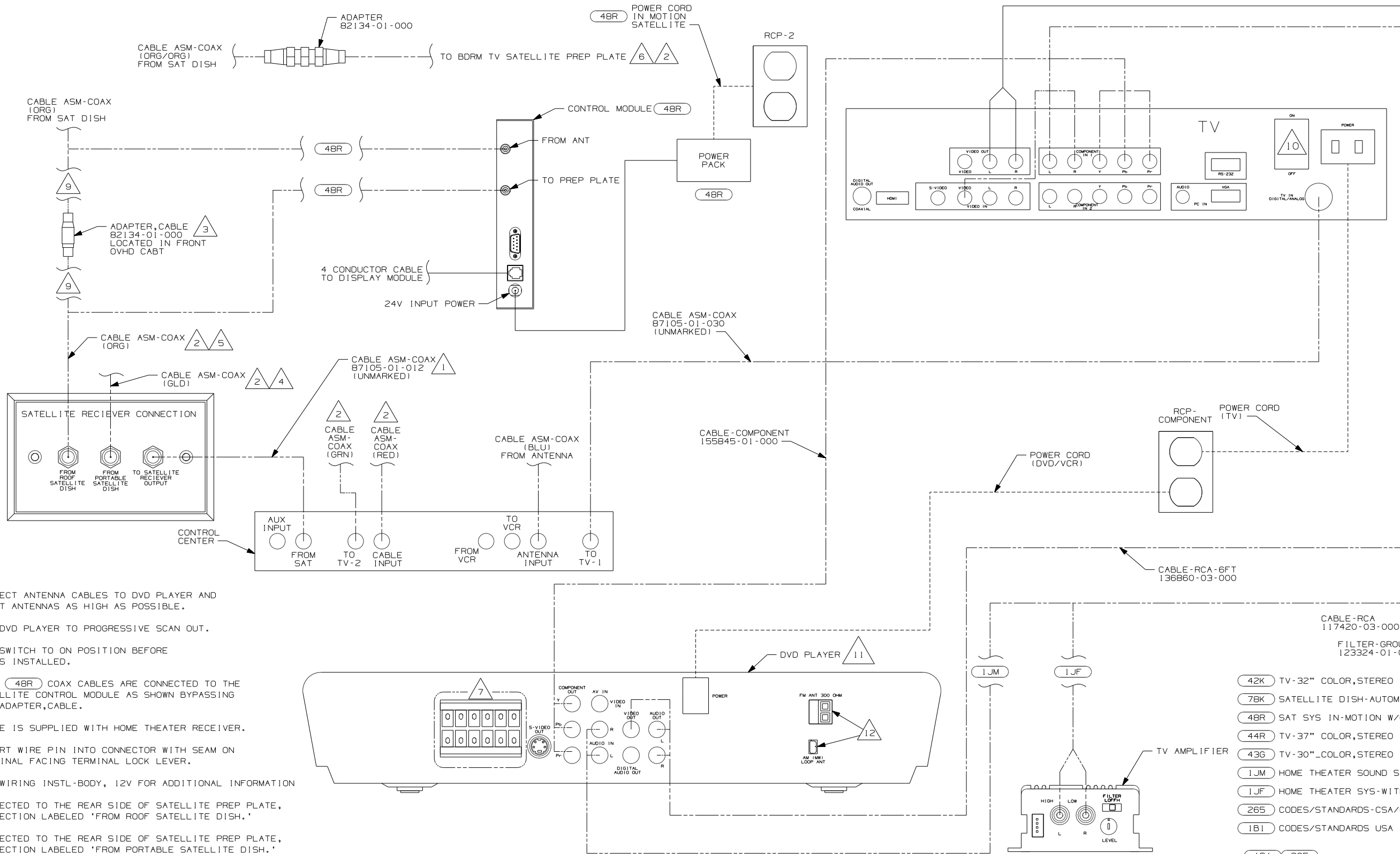
08 D-SERIES

DO NOT SCALE DRAWING

TITLE: WIRING INSTL-TV/DVD, SIDE

SHEET 14 PART NO 160326 REV

1 2/19/2008



- 12 CONNECT ANTENNA CABLES TO DVD PLAYER AND MOUNT ANTENNAS AS HIGH AS POSSIBLE.
- 11 SET DVD PLAYER TO PROGRESSIVE SCAN OUT.
- 10 SET SWITCH TO ON POSITION BEFORE TV IS INSTALLED.
- 9 WITH (48R) COAX CABLES ARE CONNECTED TO THE SATELLITE CONTROL MODULE AS SHOWN BYPASSING THE ADAPTER, CABLE.
- 8 CABLE IS SUPPLIED WITH HOME THEATER RECEIVER.
- 7 INSERT WIRE PIN INTO CONNECTOR WITH SEAM ON TERMINAL FACING TERMINAL LOCK LEVER.
- 6 SEE WIRING INSTL-BODY, 12V FOR ADDITIONAL INFORMATION
- 5 CONNECTED TO THE REAR SIDE OF SATELLITE PREP PLATE, CONNECTION LABELED 'FROM ROOF SATELLITE DISH.'
- 4 CONNECTED TO THE REAR SIDE OF SATELLITE PREP PLATE, CONNECTION LABELED 'FROM PORTABLE SATELLITE DISH.'
- 3 NOT USED WITH (48R)
- 2 CABLE ROUTED IN ROOF OR THROUGH WIRE ASM-COACH.
- 1 CONNECTED TO THE REAR SIDE OF SATELLITE PREP PLATE, CONNECTION LABELED 'TO SATELLITE RECEIVER OUTPUT.'

NOTES:

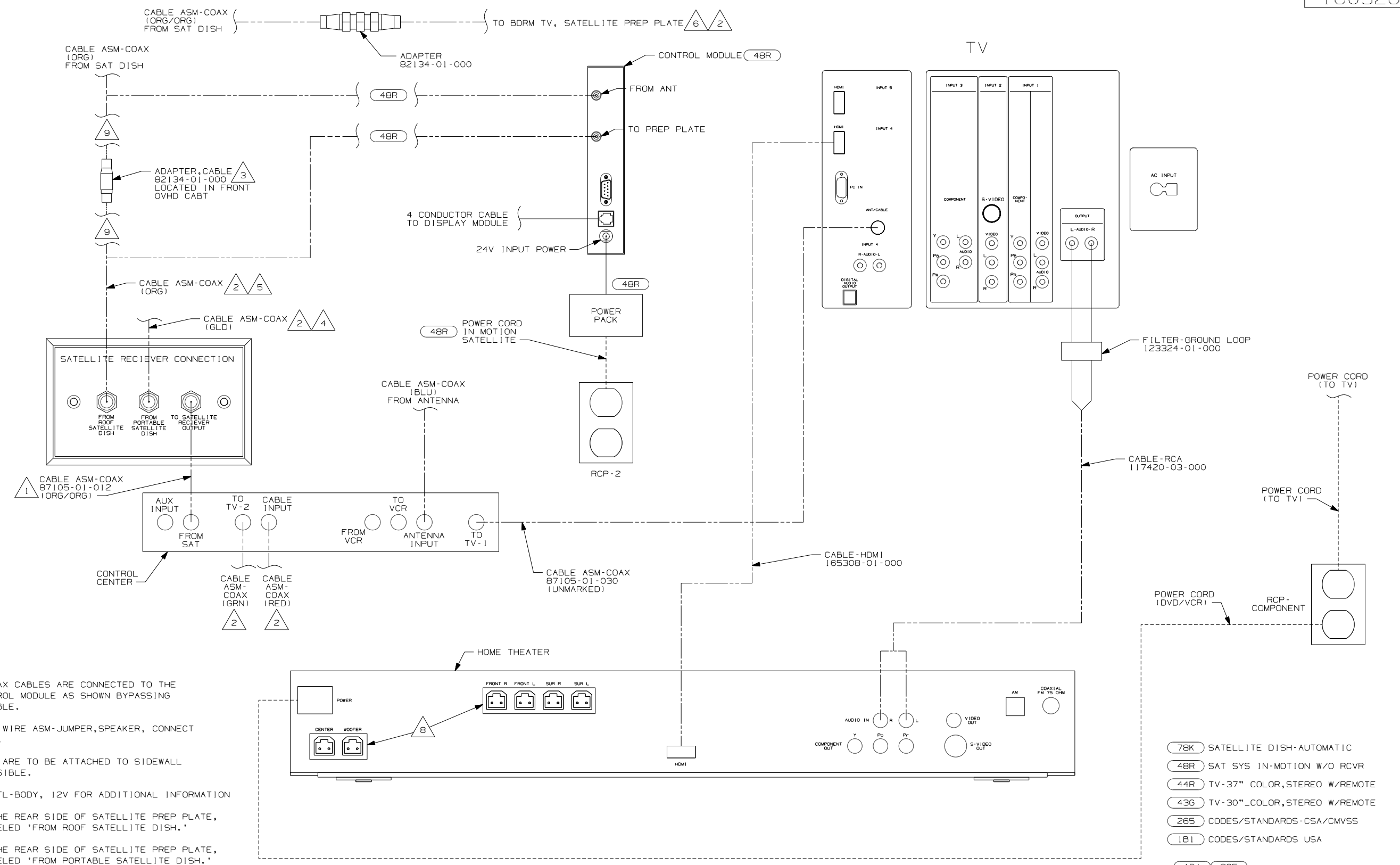
FOR ELECTRICAL TORQUE SPECIFICATIONS SEE DWG NO. 128783-01-000

FOR ELECTRICAL CALLOUTS SEE DWG NO. 121339-01-000

- (42K) TV-32" COLOR, STEREO W/REMOTE
- (78K) SATELLITE DISH-AUTOMATIC
- (48R) SAT SYS IN-MOTION W/O RCVR
- (44R) TV-37" COLOR, STEREO W/REMOTE
- (43G) TV-30" COLOR, STEREO W/REMOTE
- (1JM) HOME THEATER SOUND SYSTEM
- (1JF) HOME THEATER SYS-WITHOUT
- (265) CODES/STANDARDS-CSA/CMVSS
- (1B1) CODES/STANDARDS USA

FIRST USED	08 A-BODIES	
DO NOT SCALE DRAWING		
TITLE:	WIRING INSTL-TV/DVD, SIDE	
SHEET 15	PART NO	160326
REV		

VIEW RA F, G, M & P-SERIES



- 9 WITH 48R COAX CABLES ARE CONNECTED TO THE SATELLITE CONTROL MODULE AS SHOWN BYPASSING THE ADAPTER,CABLE.
- 8 SPEAKER OUT TO WIRE ASM-JUMPER,SPEAKER, CONNECT COLOR TO COLOR.
- 7 ANTENNA CABLES ARE TO BE ATTACHED TO SIDEWALL AS HIGH AS POSSIBLE.
- 6 SEE WIRING INSTL-BODY, 12V FOR ADDITIONAL INFORMATION
- 5 CONNECTED TO THE REAR SIDE OF SATELLITE PREP PLATE, CONNECTION LABELED 'FROM ROOF SATELLITE DISH.'
- 4 CONNECTED TO THE REAR SIDE OF SATELLITE PREP PLATE, CONNECTION LABELED 'FROM PORTABLE SATELLITE DISH.'
- 3 NOT USED WITH 48R
- 2 CABLE ROUTED IN ROOF OR THROUGH WIRE ASM-COACH.
- 1 CONNECTED TO THE REAR SIDE OF SATELLITE PREP PLATE, CONNECTION LABELED 'TO SATELLITE RECEIVER OUTPUT.'

NOTES:

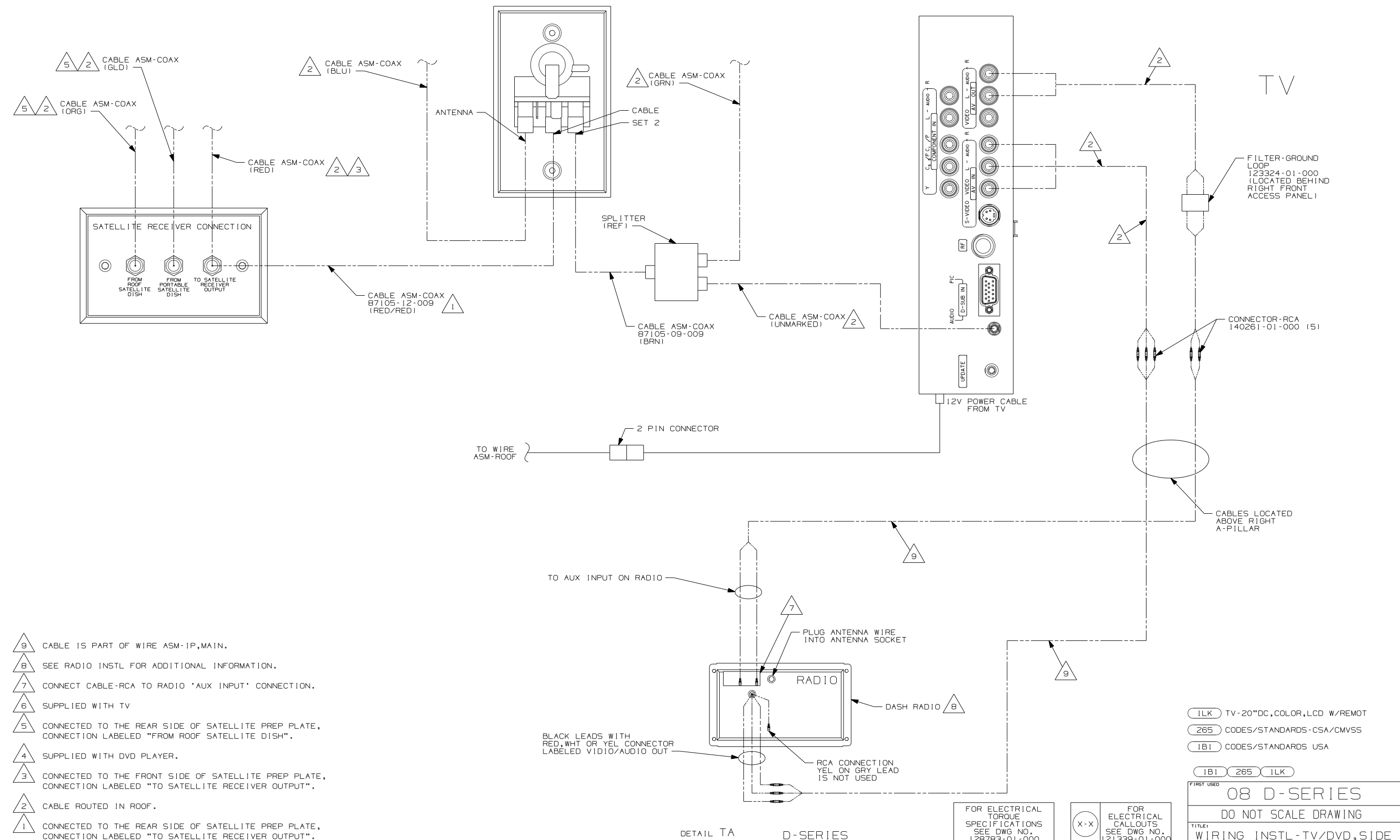
- 78K SATELLITE DISH-AUTOMATIC
- 48R SAT SYS IN-MOTION W/O RCVR
- 44R TV-37" COLOR,STEREO W/REMOTE
- 43G TV-30" _COLOR,STEREO W/REMOTE
- 265 CODES/STANDARDS-CSA/CMVSS
- 1B1 CODES/STANDARDS USA

FIRST USED	
08 A-BODIES	
DO NOT SCALE DRAWING	
TITLE:	
WIRING INSTL-TV/DVD,SIDE	
SHEET 16	PART NO 160326 REV

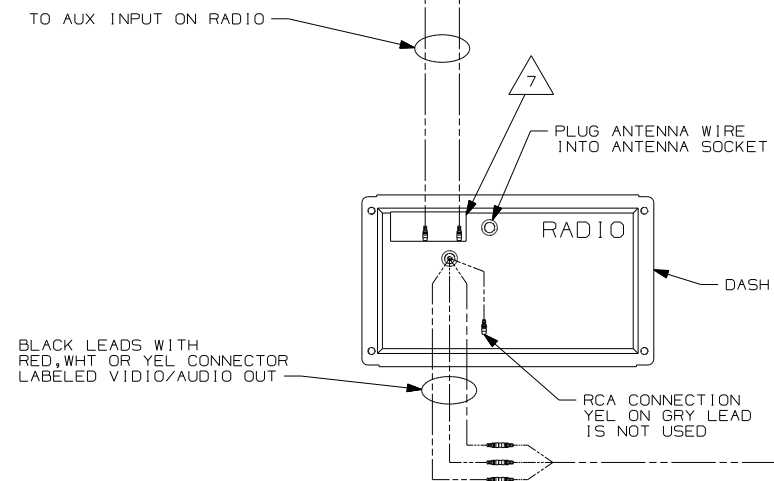
FOR ELECTRICAL TORQUE SPECIFICATIONS SEE DWG NO. 128783-01-000

FOR ELECTRICAL CALLOUTS SEE DWG NO. 121339-01-000

VIEW SA



- NOTES:
- 9 CABLE IS PART OF WIRE ASM-IP,MAIN.
 - 8 SEE RADIO INSTL FOR ADDITIONAL INFORMATION.
 - 7 CONNECT CABLE-RCA TO RADIO 'AUX INPUT' CONNECTION.
 - 6 SUPPLIED WITH TV
 - 5 CONNECTED TO THE REAR SIDE OF SATELLITE PREP PLATE, CONNECTION LABELED "FROM ROOF SATELLITE DISH".
 - 4 SUPPLIED WITH DVD PLAYER.
 - 3 CONNECTED TO THE FRONT SIDE OF SATELLITE PREP PLATE, CONNECTION LABELED "TO SATELLITE RECEIVER OUTPUT".
 - 2 CABLE ROUTED IN ROOF.
 - 1 CONNECTED TO THE REAR SIDE OF SATELLITE PREP PLATE, CONNECTION LABELED "TO SATELLITE RECEIVER OUTPUT".

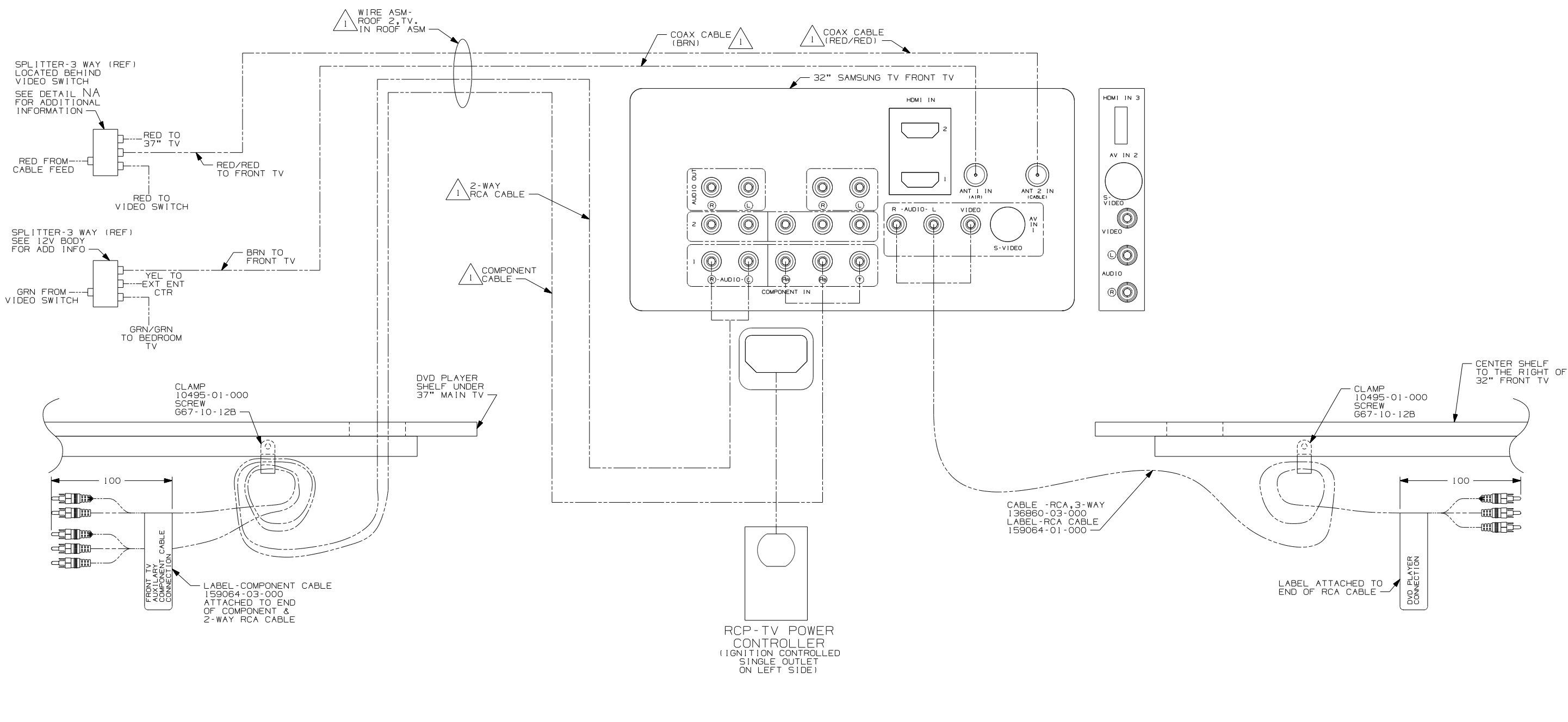


FOR ELECTRICAL TORQUE SPECIFICATIONS SEE DWG NO. 128783-01-000

FOR ELECTRICAL CALLOUTS SEE DWG NO. 121339-01-000

- 1LK TV-20"DC,COLOR,LCD W/REMOT
- 265 CODES/STANDARDS-CSA/CMVSS
- 1B1 CODES/STANDARDS USA

FIRST USED	
08 D-SERIES	
DO NOT SCALE DRAWING	
TITLE:	
WIRING INSTL-TV/DVD,SIDE	
SHEET 17	PART NO 160326 REV



SPLITTER-3 WAY (REF)
LOCATED BEHIND
VIDEO SWITCH
SEE DETAIL NA
FOR ADDITIONAL
INFORMATION

RED FROM
CABLE FEED

RED TO
37" TV

RED/RED
TO FRONT TV

RED TO
VIDEO SWITCH

SPLITTER-3 WAY (REF)
SEE 12V BODY
FOR ADD INFO

GRN FROM
VIDEO SWITCH

YEL TO
EXT ENT
CTR

BRN TO
FRONT TV

GRN/GRN
TO BEDROOM
TV

CLAMP
10495-01-000
SCREW
667-10-12B

DVD PLAYER
SHELF UNDER
37" MAIN TV

CLAMP
10495-01-000
SCREW
667-10-12B

CENTER SHELF
TO THE RIGHT OF
32" FRONT TV

FRONT TV
AUXILIARY
COMPONENT CABLE
CONNECTION

LABEL-COMPONENT CABLE
159064-03-000
ATTACHED TO END
OF COMPONENT &
2-WAY RCA CABLE

LABEL ATTACHED TO
END OF RCA CABLE

DVD PLAYER
CONNECTION

RCP-TV POWER
CONTROLLER
(IGNITION CONTROLLED
SINGLE OUTLET
ON LEFT SIDE)

VIEW UA

R40WD WITH 32" FRONT TV W/SAMSUNG TV 42K

- 42K TV-32" COLOR, STEREO W/REMOTE
- 265 CODES/STANDARDS-CSA/CMVSS
- 1B1 CODES/STANDARDS USA

1B1 265

FIRST USED		
08 A-BODIES		
DO NOT SCALE DRAWING		
TITLE:		
WIRING INSTL-TV/DVD, SIDE		
SHEET 18	PART NO	REV
	160326	

1 CABLE ROUTED IN ROOF

NOTES: