



DANGER

Danger of electrical shock, burns or death. Always remove all power sources before attempting any repair, service or diagnostic work. Power can be present from shore power, generator, inverter or battery. All power sources must be disabled and secured before performing any service.



CAUTION

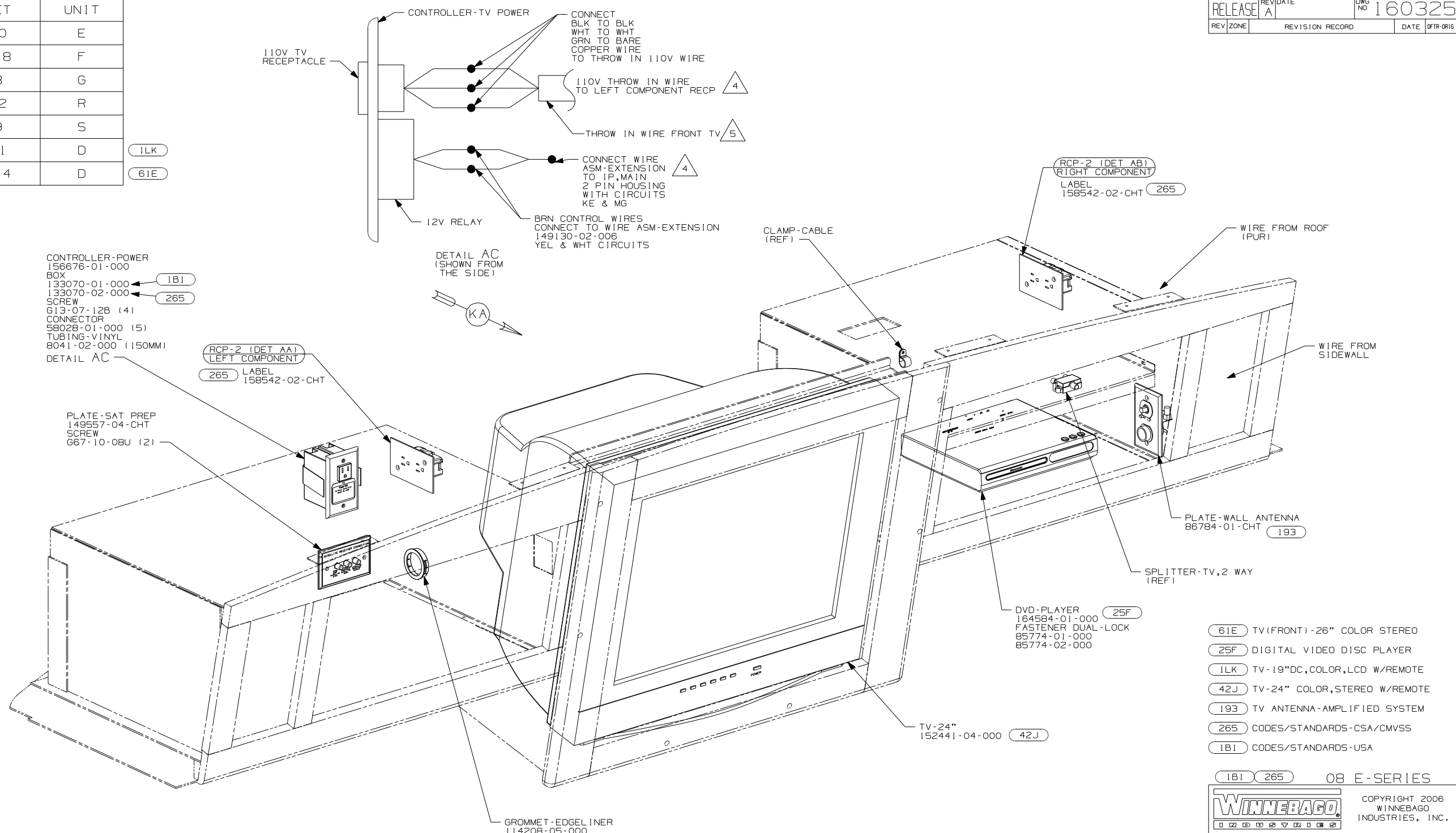
If you lack the skills, tools or equipment to perform diagnostic or repair work leave such work to an authorized Winnebago Industries dealer or other qualified shop.

| DRAWING NO. | SHEET | UNIT |
|-------------|-------|------|
| 160325-01 | 1,10 | E |
| 160325-02 | 2,7,8 | F |
| 160325-03 | 3,8 | G |
| 160325-04 | 4,12 | R |
| 160325-05 | 5,9 | S |
| 160325-06 | 6,11 | D |
| 160325-07 | 13,14 | D |

(1LK)
(61E)

RELEASE REV/DATE A
REV ZONE REVISION RECORD DATE DFR-016

DWG NO 160325



- CONTROLLER-POWER 156676-01-000 BOX
- 133070-01-000 (1B1)
- 133070-02-000 (265)
- SCREW 613-07-12B (4)
- CONNECTOR 58028-01-000 (5)
- TUBING-VINYL 8041-02-000 (150MM)
- DETAIL AC

- (61E) TV(FRONT)-26" COLOR STEREO
- (25F) DIGITAL VIDEO DISC PLAYER
- (1LK) TV-19"DC,COLOR,LCD W/REMOTE
- (42J) TV-24" COLOR,STEREO W/REMOTE
- (193) TV ANTENNA-AMPLIFIED SYSTEM
- (265) CODES/STANDARDS-CSA/CMVSS
- (1B1) CODES/STANDARDS-USA

(1B1) (265) 08 E-SERIES

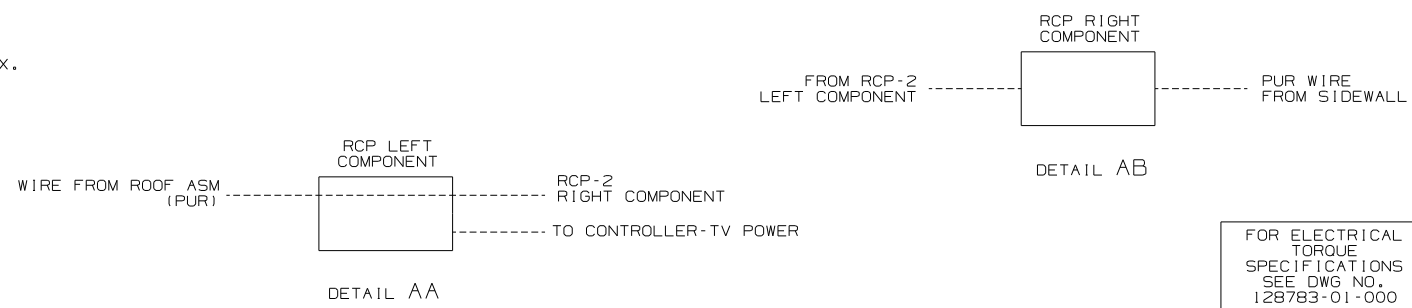


| | |
|-----------------------------|-----------------------------------|
| DFTR | ORIG. DATE |
| CHKR | ALL DIMENSIONS ARE IN MILLIMETERS |
| P.E. | |
| M.E. | FIRST USED |
| DSNR | 08 A-BODIES |
| UNSPECIFIED TOLERANCES ARE: | |
| WHOLE DIM (X) | : 3 |
| ONE-PLACE (X.X) | : 1.5 |
| TWO-PLACE (X.XX) | : 0.50 |
| ANGLE | : 1° |
| THIRD ANGLE PROJECTION | |

DO NOT SCALE DRAWING

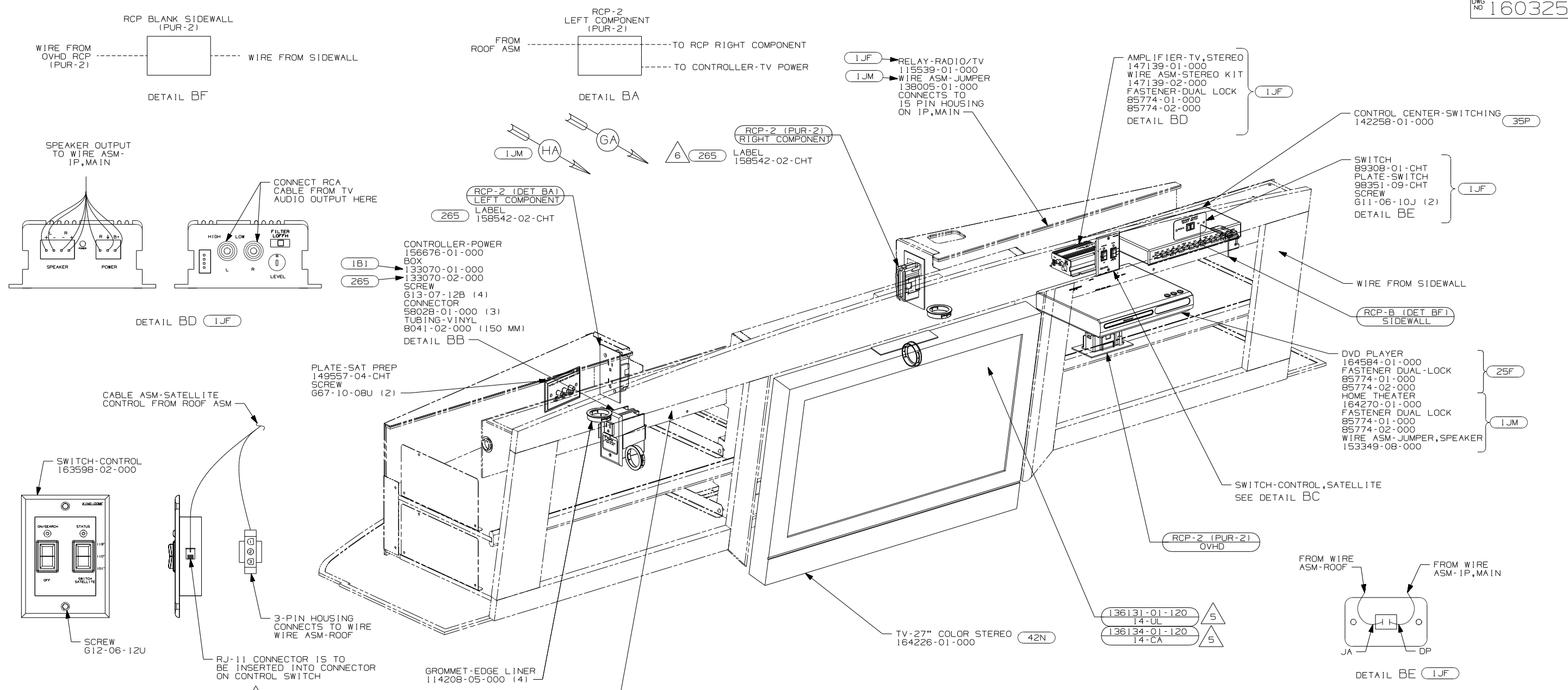
TITLE: WIRING INSTL-TV/DVD,FRONT
SHEET 1 OF 14 PART NO 160325 REV

- NOTES:
- SEE 110V LOAD CENTER ASM FOR ADDITIONAL INFORMATION.
 - ROUTE 110V AND 12V WIRES IN OPPOSITE ENDS OF ELECTRICAL BOX.
 - WHERE WIRES PASS THROUGH HOLES IN STEEL AND NOT OTHERWISE PROTECTED, USE GROMMET 92908-02-000.
 - ALL WIRES TO BE SECURED WITH CLAMP 10495-01-000 OR CLIP 80734-01-000 EVERY 600MM. USE SCREW 667-10-12B UNLESS OTHERWISE SPECIFIED.
 - 110V WIRE TO BE CLAMPED WITH CLAMP 10497-05-000 WITHIN 200MM OF OUTLET BOXES, USE SCREW 667-10-12B.

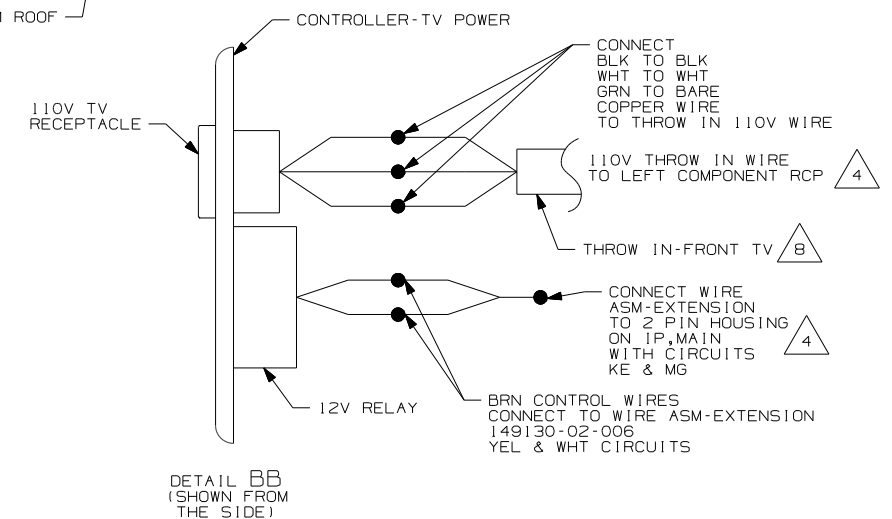


FOR ELECTRICAL TORQUE SPECIFICATIONS SEE DWG NO. 128783-01-000

(X-X) FOR ELECTRICAL CALLOUTS SEE DWG NO. 121339-01-000



- NOTES:
- 110V WIRE TO BE CLAMPED WITH CLAMP 10497-05-000 WITHIN 200MM OF OUTLET BOXES, USE SCREW 667-10-12B.
 - ALL WIRES TO BE SECURED WITH CLAMP 10495-01-000 OR CLIP 80734-01-000 EVERY 600MM. USE SCREW 667-10-12B UNLESS OTHERWISE SPECIFIED.
 - WHERE WIRES PASS THROUGH HOLES IN STEEL AND NOT OTHERWISE PROTECTED, USE GROMMET 92908-02-000.
- 8 SEE LOAD CENTER/ATS ASM FOR ADDITIONAL INFORMATION.
 7 SEE ROOF DETAIL FOR ADDITIONAL INFORMATION
 6 WITH 1JF AND 25H
 5 FOR USE WITH SHELLS ONLY.
 4 ROUTE 110V AND 12V WIRES IN OPPOSITE ENDS OF ELECTRICAL BOX.

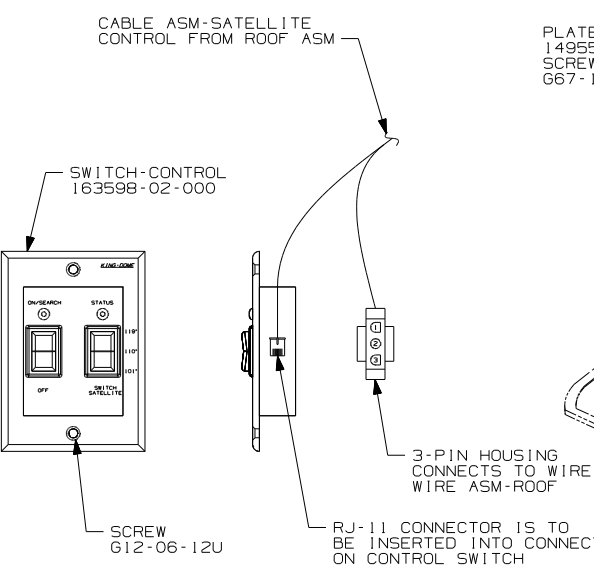
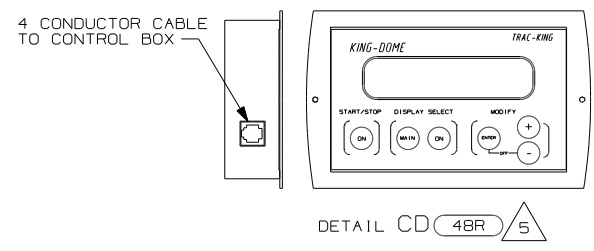
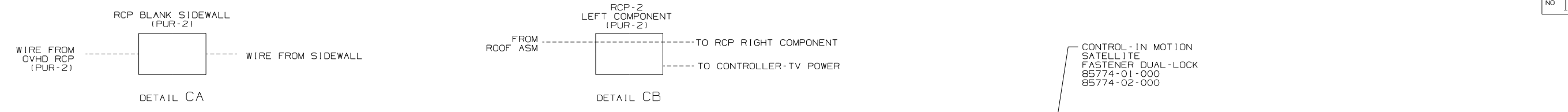


FOR ELECTRICAL TORQUE SPECIFICATIONS SEE DWG NO. 128783-01-000

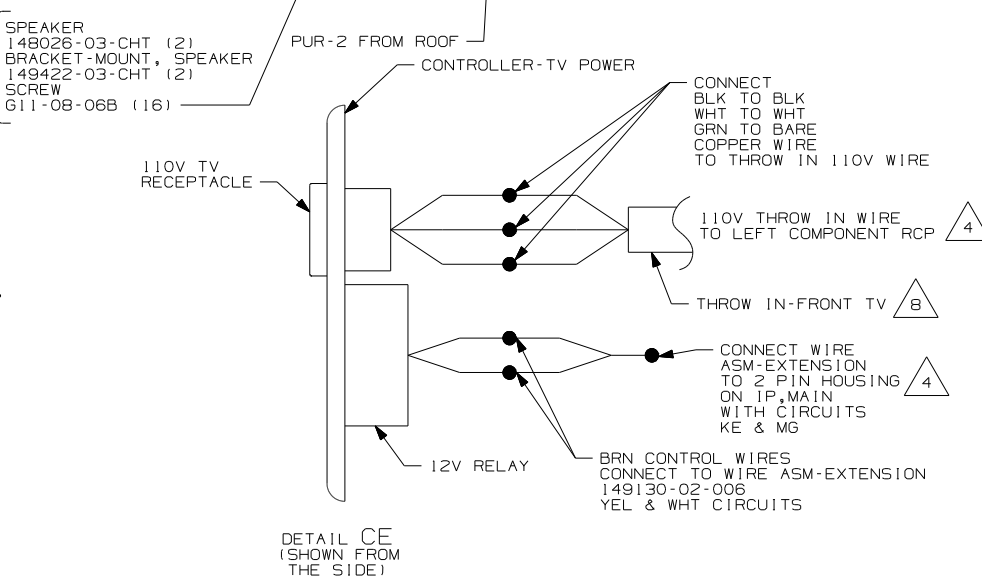
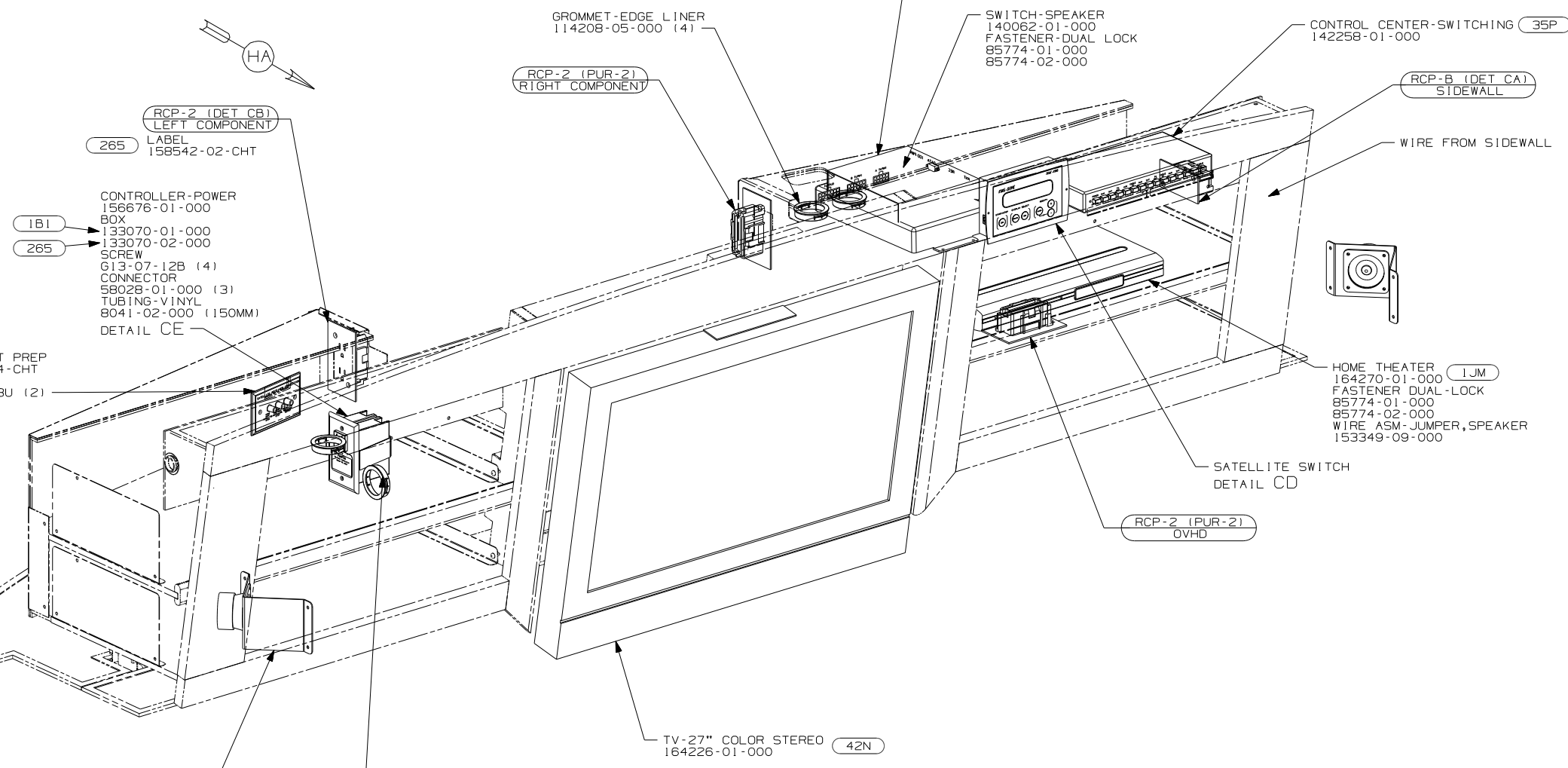
X-X FOR ELECTRICAL CALLOUTS SEE DWG NO. 121339-01-000

- 25H DVD/VCR - WITHOUT
- 78K SATELLITE DISH-AUTOMATIC
- 42N TV(FRONT)-27" COLOR STEREO
- 35P VIDEO SELECTION SYSTEM
- 25F DIGITAL VIDEO DISC PLAYER
- 265 CODES/STANDARDS-CSA/CMVSS
- 1JF HOME THEATER SYS-WITHOUT
- 1JM HOME THEATER SOUND SYSTEM
- 10A TV (REAR)-20"COLOR, STEREO
- 1B1 CODES/STANDARDS USA

| | |
|-----------------------------------|--------------------|
| FIRST USED | |
| 08 A-BODIES | |
| DO NOT SCALE DRAWING | |
| TITLE: WIRING INSTL-TV/DVD, FRONT | |
| SHEET 2 | PART NO 160325 REV |



- NOTES:
- 110V WIRE TO BE CLAMPED WITH CLAMP 10497-05-000 WITHIN 200MM OF OUTLET BOXES, USE SCREW G67-10-12B.
 - ALL WIRES TO BE SECURED WITH CLAMP 10495-01-000 OR CLIP 80734-01-000 EVERY 600MM. USE SCREW G67-10-12B UNLESS OTHERWISE SPECIFIED.
 - WHERE WIRES PASS THROUGH HOLES IN STEEL AND NOT OTHERWISE PROTECTED, USE GROMMET 92908-02-000.
- SEE LOAD CENTER/ATS ASM FOR ADDITIONAL INFORMATION.
 MOUNT SPEAKER & BRACKET TO REMOVABLE SPEAKER COVER ON SIDE OF OVHD CABINET
 SEE ROOF ASM FOR ADDITIONAL INFORMATION
 PARTS ARE SUPPLIED WITH SATELLITE KIT 154474-02-000.
 ROUTE 110V AND 12V WIRES IN OPPOSITE ENDS OF ELECTRICAL BOX.

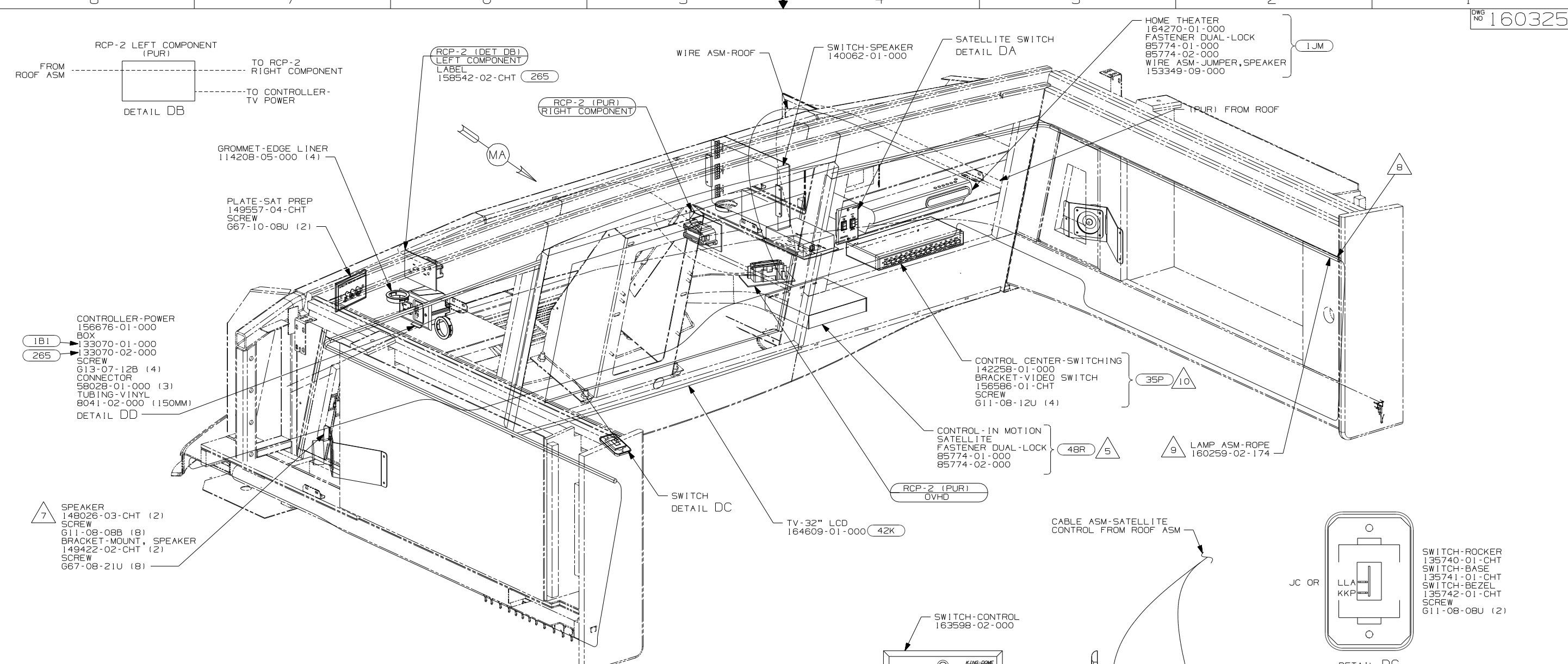


- 42E TV-27" COLOR, STEREO W/REMOTE
- 78K SATELLITE DISH-AUTOMATIC
- 48R SAT SYS IN-MOTION W/O RCVR
- 42N TV (FRONT) -27" COLOR STEREO
- 35P VIDEO SELECTION SYSTEM
- 1JM HOME THEATER SOUND SYSTEM
- 265 CODES/STANDARDS-CSA/CMVSS
- 1B1 CODES/STANDARDS USA

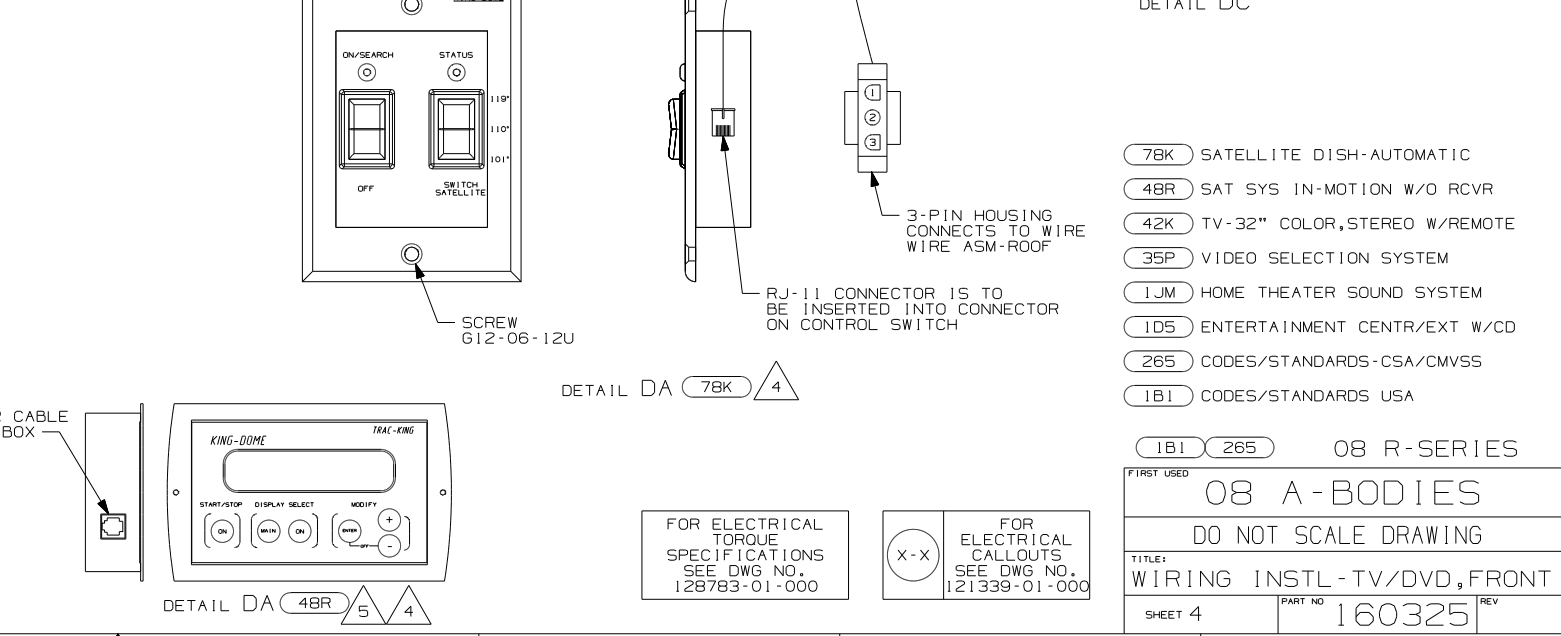
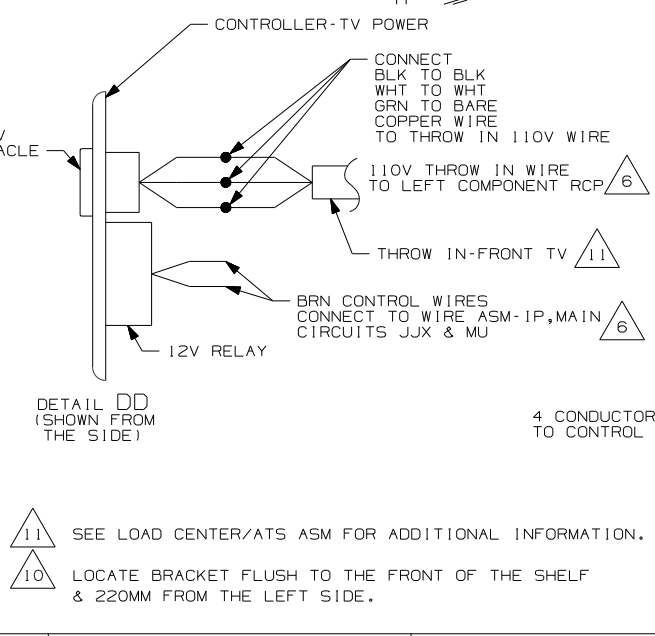
FOR ELECTRICAL TORQUE SPECIFICATIONS SEE DWG NO. 128783-01-000

FOR ELECTRICAL CALLOUTS SEE DWG NO. 121339-01-000

| | |
|-----------------------------------|----------------|
| FIRST USED | |
| 08 A-BODIES | |
| DO NOT SCALE DRAWING | |
| TITLE: WIRING INSTL-TV/DVD, FRONT | |
| SHEET 3 | PART NO 160325 |



- NOTES:
- 110V WIRE TO BE CLAMPED WITH CLAMP 10497-05-000 WITHIN 200MM OF OUTLET BOXES, USE SCREW 667-10-12B.
 - WHERE WIRES PASS THROUGH HOLES IN STEEL AND NOT OTHERWISE PROTECTED, USE GROMMET 92908-02-000.
 - ALL WIRES TO BE SECURED WITH CLAMP 10495-01-000 OR CLIP 80734-01-000 EVERY 600MM. USE SCREW 667-10-12B UNLESS OTHERWISE SPECIFIED.
 - SWITCH SUPPLIED WITH SATELLITE DISH, SEE WIRING INSTL-BODY,12V FOR ADDITIONAL INFORMATION.
 - PARTS ARE SUPPLIED WITH SATELLITE KIT 154476-02-000.
 - ROUTE 110V AND 12V WIRES IN OPPOSITE ENDS OF ELECTRICAL BOX.
 - SPEAKER WIRING FROM WIRE ASM-ROOF.
 - PLACE CONNECTOR HERE TO MAKE CONNECTION TO MATING WIRE ASM.
 - SNAP ROPE LAMP IN CHANNELS ON OVER HEAD CABINETS.

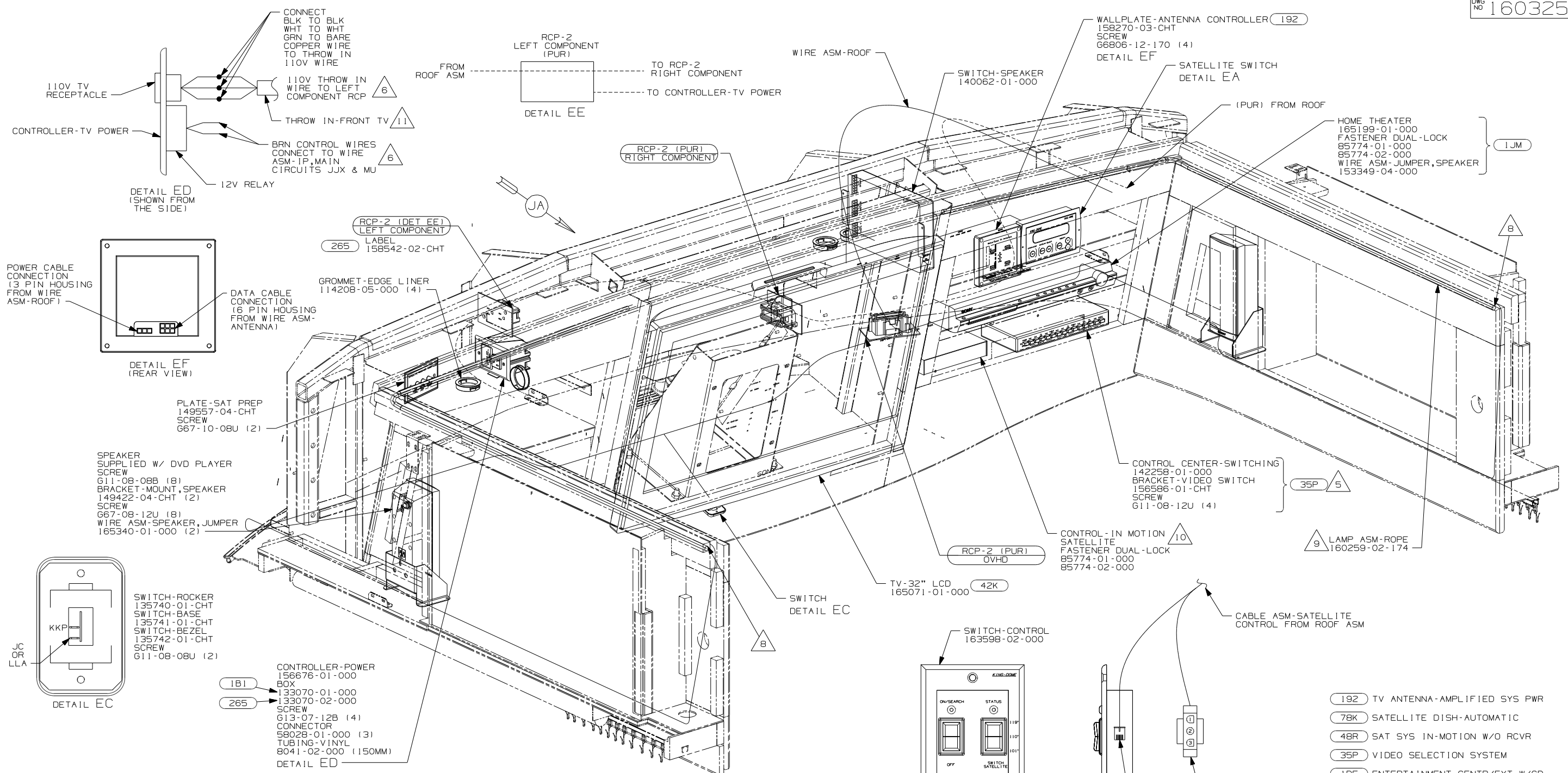


- (78K) SATELLITE DISH-AUTOMATIC
- (48R) SAT SYS IN-MOTION W/O RCVR
- (42K) TV-32" COLOR,STEREO W/REMOTE
- (35P) VIDEO SELECTION SYSTEM
- (1JM) HOME THEATER SOUND SYSTEM
- (1D5) ENTERTAINMENT CENTR/EXT W/CD
- (265) CODES/STANDARDS-CSA/CMVSS
- (1B1) CODES/STANDARDS USA

FOR ELECTRICAL TORQUE SPECIFICATIONS SEE DWG NO. 128783-01-000

FOR ELECTRICAL CALLOUTS SEE DWG NO. 121339-01-000

| | |
|----------------------|---------------------------|
| FIRST USED | 08 R-SERIES |
| 08 A-BODIES | |
| DO NOT SCALE DRAWING | |
| TITLE: | WIRING INSTL-TV/DVD,FRONT |
| SHEET 4 | PART NO 160325 REV |



- 6 ROUTE 110V AND 12V WIRES IN OPPOSITE ENDS OF ELECTRICAL BOX.
- 5 LOCATE BRACKET FLUSH TO THE FRONT OF THE SHELF & 220MM FROM THE LEFT SIDE.
- 4 SEE ROOF ASM FOR ADDITIONAL INFORMATION.
- 3. WHERE WIRES PASS THROUGH HOLES IN STEEL AND NOT OTHERWISE PROTECTED, USE GROMMET 92908-02-000.
- 2. ALL WIRES TO BE SECURED WITH CLAMP 10495-01-000 OR CLIP 80734-01-000 EVERY 600MM. USE SCREW 667-10-12B UNLESS OTHERWISE SPECIFIED.
- 1. 110V WIRE TO BE CLAMPED WITH CLAMP 10497-05-000 WITHIN 200MM OF OUTLET BOXES, USE SCREW 667-10-12B.

- 11 SEE LOAD CENTER/ATS ASM FOR ADDITIONAL INFORMATION.
- 10 PARTS ARE SUPPLIED WITH SATELLITE KIT 154476-02-000.
- 9 SNAP ROPE LAMP IN CHANNELS ON OVERHEAD CABINETS.
- 8 PLACE CONNECTOR HERE TO MAKE CONNECTION TO MATING WIRE ASM.
- 7 CUT ROPE LIGHT AT X MARKS ON LIGHT AND INSTALL CONNECTOR 146514-02-000.

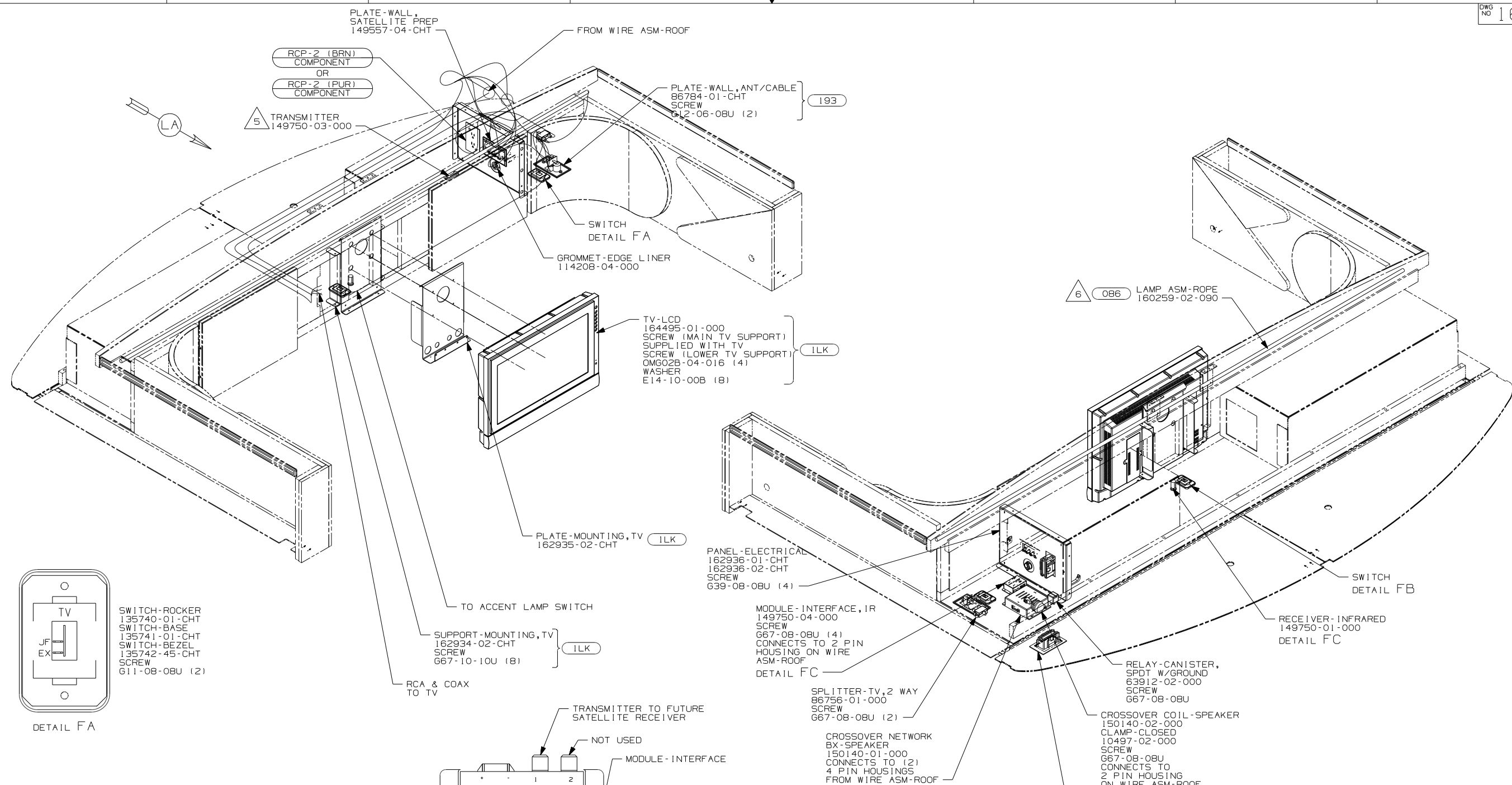
NOTES:

- 192 TV ANTENNA-AMPLIFIED SYS PWR
- 78K SATELLITE DISH-AUTOMATIC
- 48R SAT SYS IN-MOTION W/O RCVR
- 35P VIDEO SELECTION SYSTEM
- 1D5 ENTERTAINMENT CENTR/EXT W/CD
- 1D3 ENTERTAIN CENTR/EXT TV-DVD
- 1JM HOME THEATER SOUND SYSTEM
- 42K TV-32" COLOR, STEREO W/REMOTE
- 265 CODES/STANDARDS-CSA/CMVSS
- 1B1 CODES/STANDARDS USA

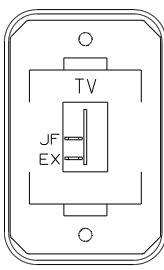
| | | | |
|--------------------------------------|---------|-------------|-----|
| FIRST USED | | 08 S-SERIES | |
| 08 A-BODIES | | | |
| DO NOT SCALE DRAWING | | | |
| TITLE: WIRING INSTL-TV/DVD, FRONT | | | |
| SHEET 5 | PART NO | 160325 | REV |

FOR ELECTRICAL TORQUE SPECIFICATIONS SEE DWG NO. 128783-01-000

FOR ELECTRICAL CALLOUTS SEE DWG NO. 121339-01-000



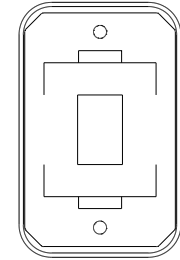
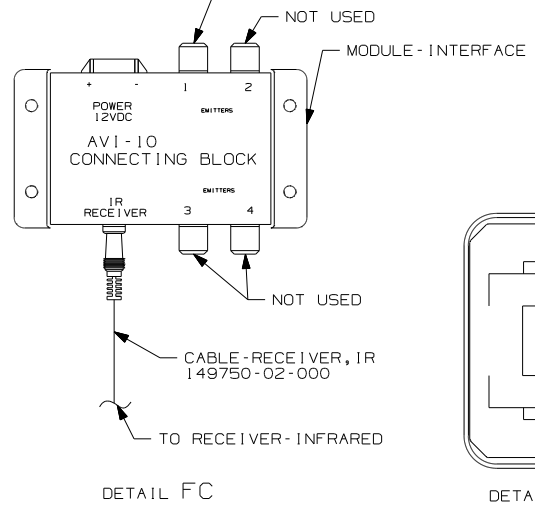
SWITCH-ROCKER 135740-01-CHT
 SWITCH-BASE 135741-01-CHT
 SWITCH-BEZEL 135742-45-CHT
 SCREW 611-08-08U (2)



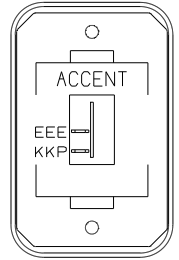
DETAIL FA

- 7 WITHOUT 086
- 6 SNAP ROPE LAMP IN CHANNELS ON OVERHEAD CABINETS.
- 5 ROUTE TRANSMITTER THROUGH GROMMET AND COIL FOR FUTURE USE.
- 4 PLACE CONNECTOR HERE TO MAKE CONNECTION TO WIRE ASM. USE CONNECTOR 58028-01-000 (2).
- 3. WHERE WIRES PASS THROUGH HOLES IN STEEL AND NOT OTHERWISE PROTECTED, USE GROMMET 92908-02-000.
- 2. ALL WIRES TO BE SECURED WITH CLAMP 10495-01-000 OR CLIP 80734-01-000 EVERY 600MM. USE SCREW 667-10-12B UNLESS OTHERWISE SPECIFIED.
- 1. 110V WIRE TO BE CLAMPED WITH CLAMP 10497-05-000 WITHIN 200MM OF OUTLET BOXES, USE SCREW 667-10-12B.

NOTES:



DETAIL FB 7



DETAIL FB 086

SWITCH-BLANK 138253-01-CHT
 SWITCH-BASE 135741-01-CHT
 SWITCH-BEZEL 135742-01-CHT
 SCREW 611-08-08U (2)

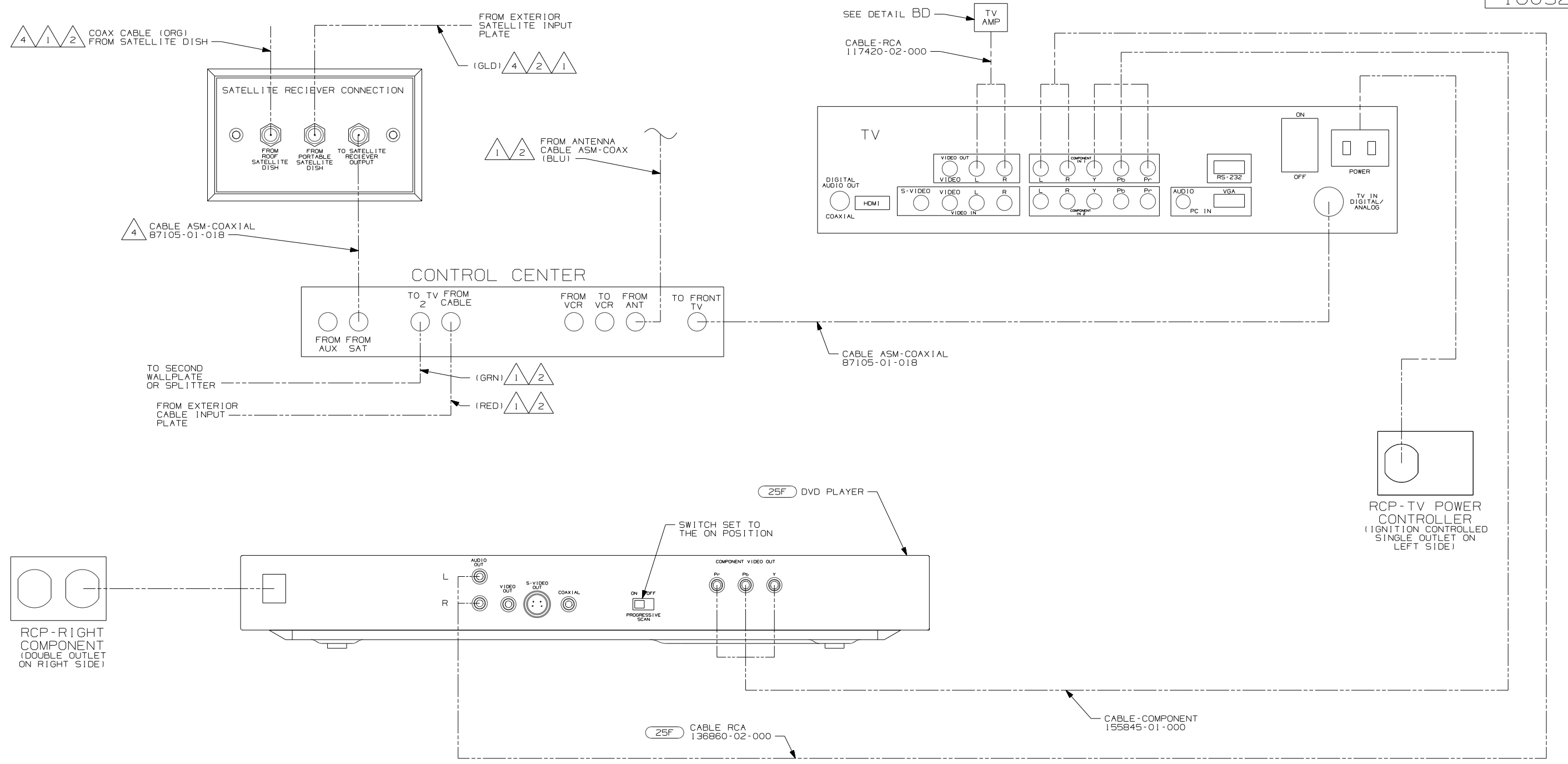
SWITCH-ROCKER 135740-01-CHT
 SWITCH-BASE 135741-01-CHT
 SWITCH-BEZEL 135742-50-CHT
 SCREW 611-08-08U (2)

FOR ELECTRICAL TORQUE SPECIFICATIONS SEE DWG NO. 128783-01-000

X-X FOR ELECTRICAL CALLOUTS SEE DWG NO. 121339-01-000

- 193 TV ANTENNA-AMPLIFIED SYSTEM
- 086 INTERIOR UPGRADE PACKAGE
- ILK TV-19"DC,COLOR,LCD W/REMOTE
- 265 CODES/STANDARDS-CSA/CMVSS
- 1B1 CODES/STANDARDS USA

| | |
|---------------------------|----------------------|
| FIRST USED | 08 D-SERIES |
| TITLE: | DO NOT SCALE DRAWING |
| WIRING INSTL-TV/DVD,FRONT | |
| SHEET 6 | PART NO 160325 REV |



- △ 4 CONNECTED TO THE REAR SIDE OF SATELLITE PREP PLATE.
- △ 3 CABLE IS SUPPLIED WITH RECEIVER.
- △ 2 CABLE ROUTED IN ROOF.
- △ 1 CABLE ASM MARKED WITH COLORED TAPE.

NOTES:

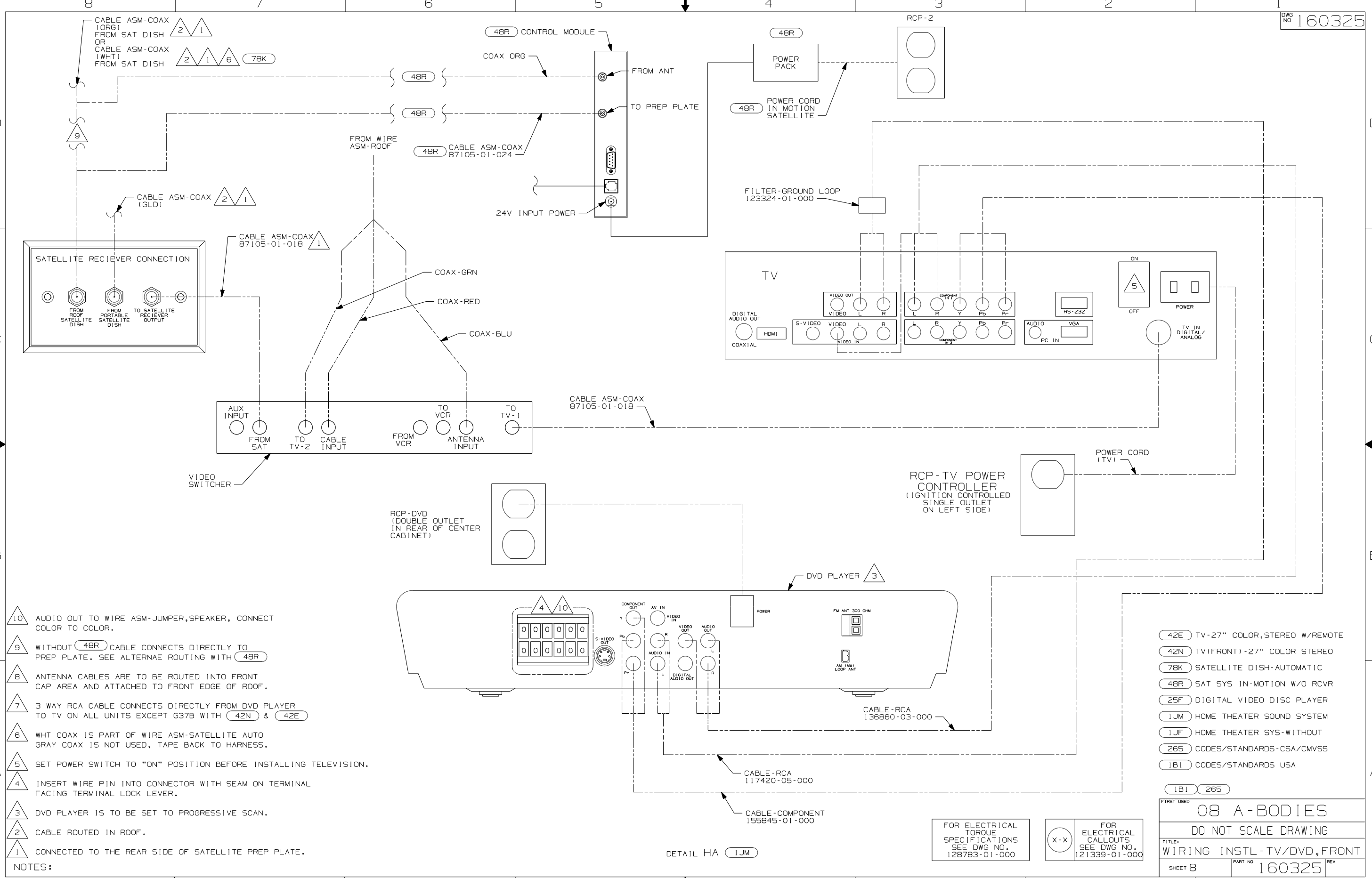
DETAIL GA

FOR ELECTRICAL TORQUE SPECIFICATIONS SEE DWG NO. 128783-01-000

FOR ELECTRICAL CALLOUTS SEE DWG NO. 121339-01-000

- 43N TV (RR)-19", VIDEO SELECTION
- 25F DIGITAL VIDEO DISC PLAYER
- 265 CODES/STANDARDS-CSA/CMVSS
- 1B1 CODES/STANDARDS USA

| | |
|---------------------------|--------------------|
| 1B1 265 F-SERIES | |
| FIRST USED | |
| 08 A-BODIES | |
| DO NOT SCALE DRAWING | |
| TITLE: | |
| WIRING INSTL-TV/DVD,FRONT | |
| SHEET 7 | PART NO 160325 REV |



- 10 AUDIO OUT TO WIRE ASM-JUMPER, SPEAKER, CONNECT COLOR TO COLOR.
- 9 WITHOUT (48R) CABLE CONNECTS DIRECTLY TO PREP PLATE. SEE ALTERNAE ROUTING WITH (48R)
- 8 ANTENNA CABLES ARE TO BE ROUTED INTO FRONT CAP AREA AND ATTACHED TO FRONT EDGE OF ROOF.
- 7 3 WAY RCA CABLE CONNECTS DIRECTLY FROM DVD PLAYER TO TV ON ALL UNITS EXCEPT G37B WITH (42N) & (42E)
- 6 WHT COAX IS PART OF WIRE ASM-SATELLITE AUTO GRAY COAX IS NOT USED, TAPE BACK TO HARNESS.
- 5 SET POWER SWITCH TO "ON" POSITION BEFORE INSTALLING TELEVISION.
- 4 INSERT WIRE PIN INTO CONNECTOR WITH SEAM ON TERMINAL FACING TERMINAL LOCK LEVER.
- 3 DVD PLAYER IS TO BE SET TO PROGRESSIVE SCAN.
- 2 CABLE ROUTED IN ROOF.
- 1 CONNECTED TO THE REAR SIDE OF SATELLITE PREP PLATE.

NOTES:

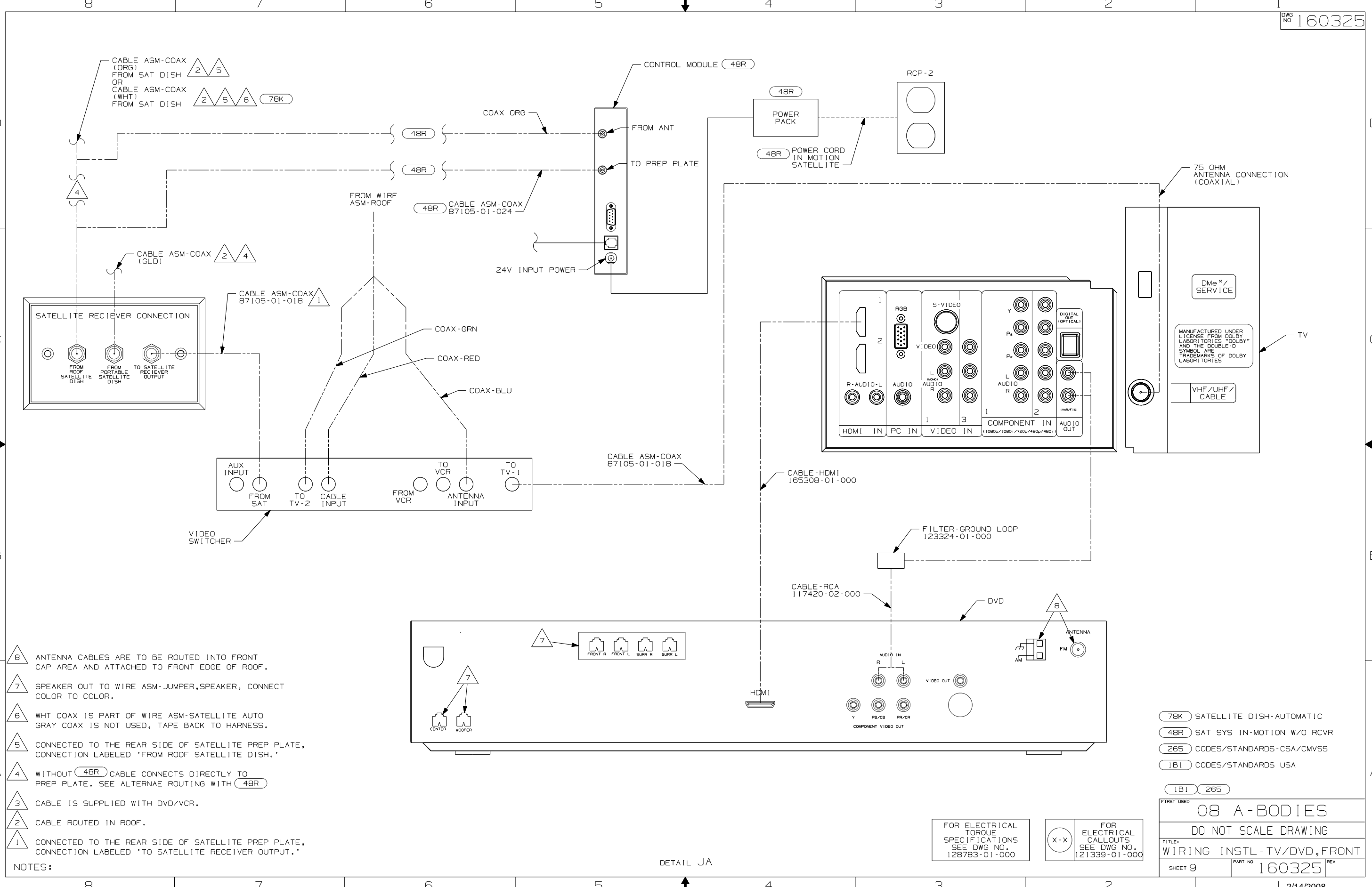
- (42E) TV-27" COLOR, STEREO W/REMOTE
- (42N) TV(FRONT)-27" COLOR STEREO
- (78K) SATELLITE DISH-AUTOMATIC
- (48R) SAT SYS IN-MOTION W/O RCVR
- (25F) DIGITAL VIDEO DISC PLAYER
- (1JM) HOME THEATER SOUND SYSTEM
- (1JF) HOME THEATER SYS-WITHOUT
- (265) CODES/STANDARDS-CSA/CMVSS
- (1B1) CODES/STANDARDS USA

| | |
|----------------------------|--------------------|
| FIRST USED | |
| 08 A-BODIES | |
| DO NOT SCALE DRAWING | |
| TITLE: | |
| WIRING INSTL-TV/DVD, FRONT | |
| SHEET 8 | PART NO 160325 REV |

FOR ELECTRICAL TORQUE SPECIFICATIONS SEE DWG NO. 128783-01-000

FOR ELECTRICAL CALLOUTS SEE DWG NO. 121339-01-000

DETAIL HA (1JM)



- 8 ANTENNA CABLES ARE TO BE ROUTED INTO FRONT CAP AREA AND ATTACHED TO FRONT EDGE OF ROOF.
- 7 SPEAKER OUT TO WIRE ASM-JUMPER, SPEAKER, CONNECT COLOR TO COLOR.
- 6 WHT COAX IS PART OF WIRE ASM-SATELLITE AUTO GRAY COAX IS NOT USED, TAPE BACK TO HARNESS.
- 5 CONNECTED TO THE REAR SIDE OF SATELLITE PREP PLATE, CONNECTION LABELED 'FROM ROOF SATELLITE DISH.'
- 4 WITHOUT 48R CABLE CONNECTS DIRECTLY TO PREP PLATE. SEE ALTERNAE ROUTING WITH 48R
- 3 CABLE IS SUPPLIED WITH DVD/VCR.
- 2 CABLE ROUTED IN ROOF.
- 1 CONNECTED TO THE REAR SIDE OF SATELLITE PREP PLATE, CONNECTION LABELED 'TO SATELLITE RECEIVER OUTPUT.'

NOTES:

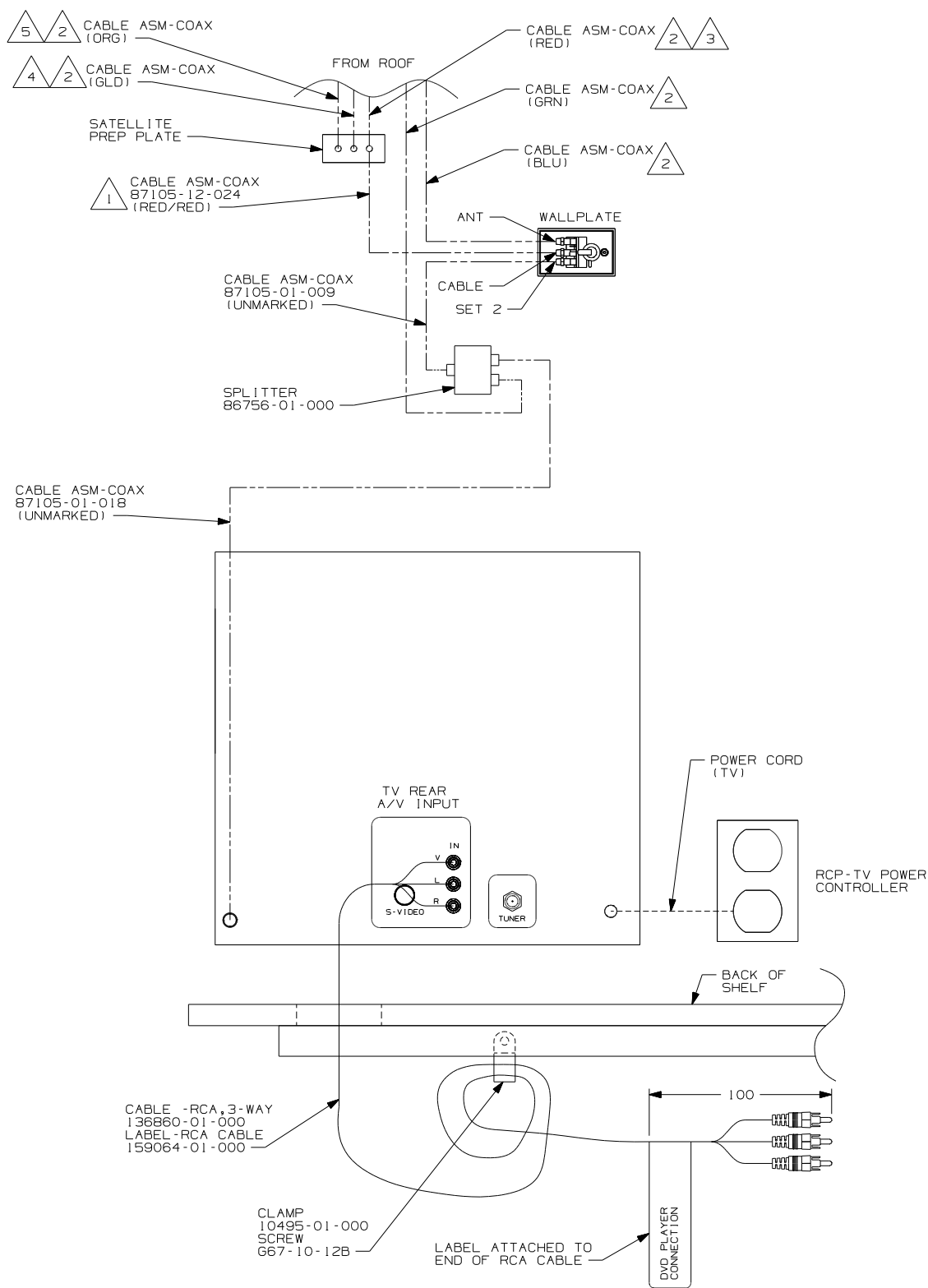
DETAIL JA

FOR ELECTRICAL TORQUE SPECIFICATIONS SEE DWG NO. 128783-01-000

X-X FOR ELECTRICAL CALLOUTS SEE DWG NO. 121339-01-000

- 78K SATELLITE DISH-AUTOMATIC
- 48R SAT SYS IN-MOTION W/O RCVR
- 265 CODES/STANDARDS-CSA/CMVSS
- 1B1 CODES/STANDARDS USA

| | |
|----------------------------------|--------------------|
| FIRST USED | |
| 08 A-BODIES | |
| DO NOT SCALE DRAWING | |
| TITLE: WIRING INSTL-TV/DVD,FRONT | |
| SHEET 9 | PART NO 160325 REV |



- 5 CONNECTED TO THE REAR SIDE OF SATELLITE PREP PLATE, CONNECTION LABELED 'FROM ROOF SATELLITE DISH.'
- 4 CONNECTED TO THE REAR SIDE OF SATELLITE PREP PLATE, CONNECTION LABELED 'FROM PORTABLE SATELLITE DISH.'
- 3 CONNECTED TO THE FRONT SIDE OF SATELLITE PREP PLATE, CONNECTION LABELED 'TO SATELLITE RECEIVER OUTPUT.'
- 2 CABLE ROUTED IN ROOF.
- 1 CONNECTED TO THE REAR SIDE OF SATELLITE PREP PLATE, CONNECTION LABELED 'TO SATELLITE RECEIVER OUTPUT.'

NOTES:

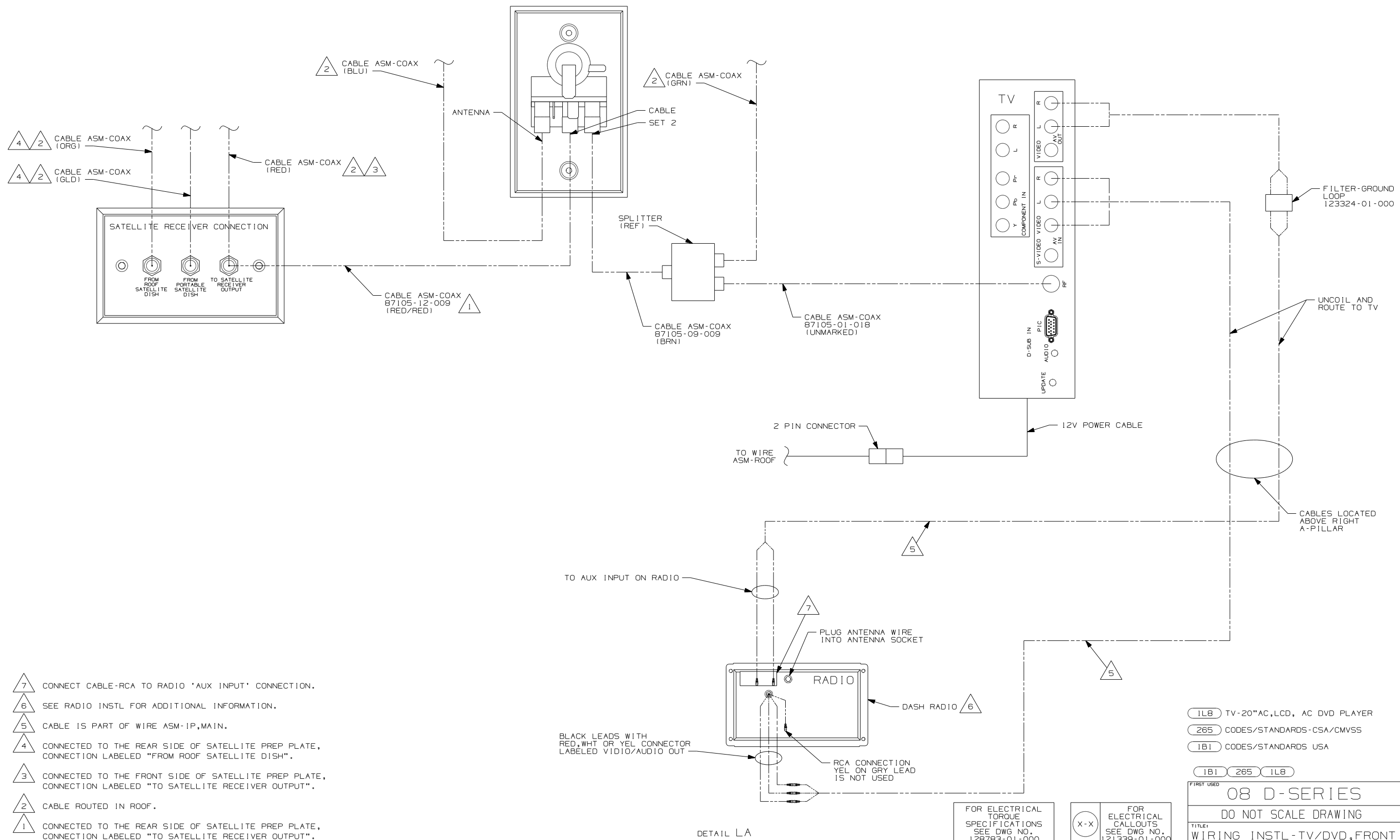
DETAIL KA

FOR ELECTRICAL TORQUE SPECIFICATIONS SEE DWG NO. 128783-01-000

X-X FOR ELECTRICAL CALLOUTS SEE DWG NO. 121339-01-000

265 CODES/STANDARDS-CSA/CMVSS
 1B1 CODES/STANDARDS USA
 1B1 265 E-SERIES

| | |
|------------|---------------------------|
| FIRST USED | 08 A-BODIES |
| TITLE | DO NOT SCALE DRAWING |
| TITLE | WIRING INSTL-TV/DVD,FRONT |
| SHEET 10 | PART NO 160325 REV |



- NOTES:
- 7 CONNECT CABLE-RCA TO RADIO 'AUX INPUT' CONNECTION.
 - 6 SEE RADIO INSTL FOR ADDITIONAL INFORMATION.
 - 5 CABLE IS PART OF WIRE ASM-IP,MAIN.
 - 4 CONNECTED TO THE REAR SIDE OF SATELLITE PREP PLATE, CONNECTION LABELED "FROM ROOF SATELLITE DISH".
 - 3 CONNECTED TO THE FRONT SIDE OF SATELLITE PREP PLATE, CONNECTION LABELED "TO SATELLITE RECEIVER OUTPUT".
 - 2 CABLE ROUTED IN ROOF.
 - 1 CONNECTED TO THE REAR SIDE OF SATELLITE PREP PLATE, CONNECTION LABELED "TO SATELLITE RECEIVER OUTPUT".

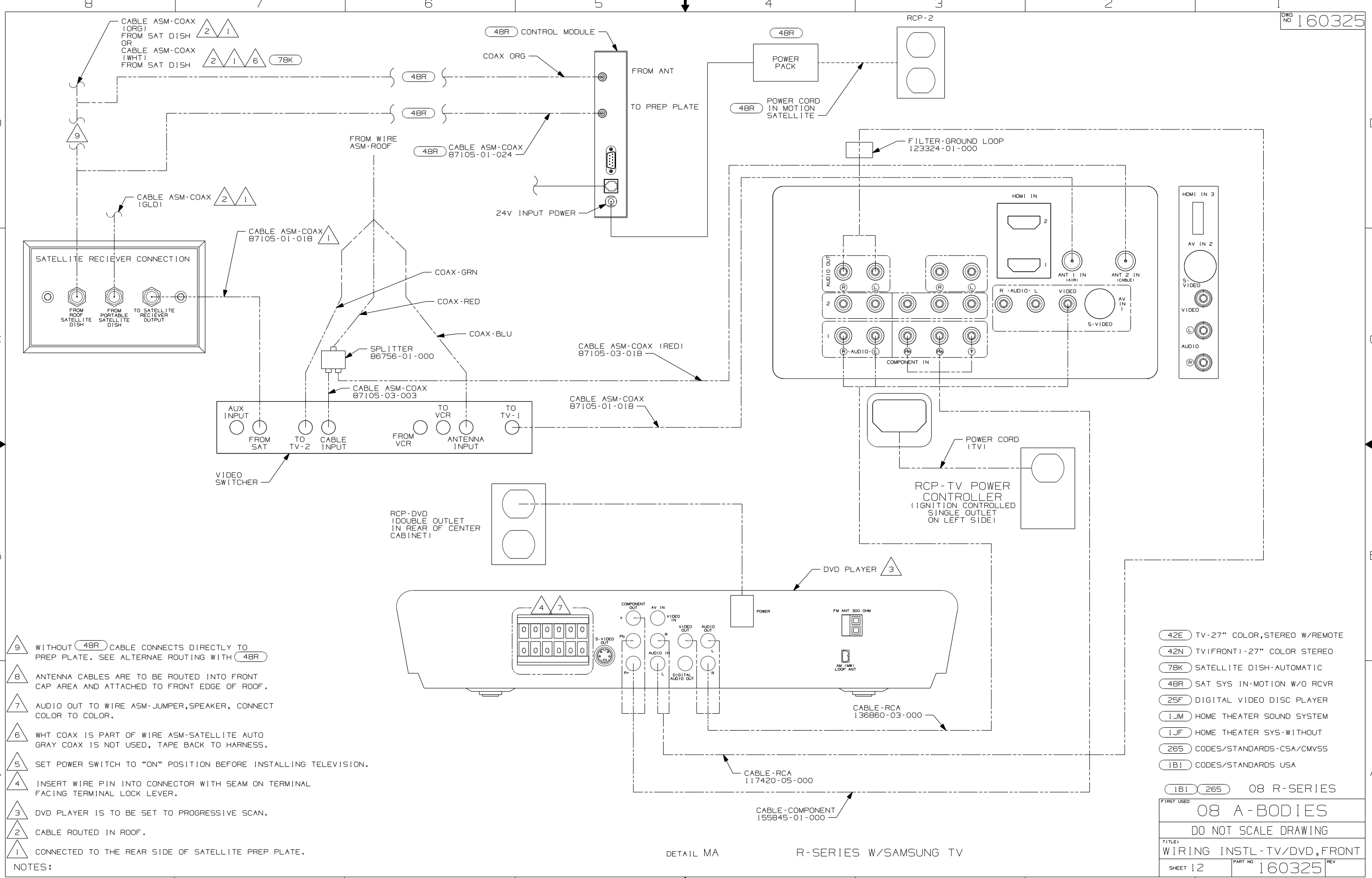
DETAIL LA

FOR ELECTRICAL TORQUE SPECIFICATIONS SEE DWG NO. 128783-01-000

FOR ELECTRICAL CALLOUTS SEE DWG NO. 121339-01-000

- 1L8 TV-20"AC,LCD, AC DVD PLAYER
- 265 CODES/STANDARDS-CSA/CMVSS
- 1B1 CODES/STANDARDS USA

| | |
|---------------------------|--------------------|
| FIRST USED | |
| 08 D-SERIES | |
| DO NOT SCALE DRAWING | |
| TITLE: | |
| WIRING INSTL-TV/DVD,FRONT | |
| SHEET 11 | PART NO 160325 REV |



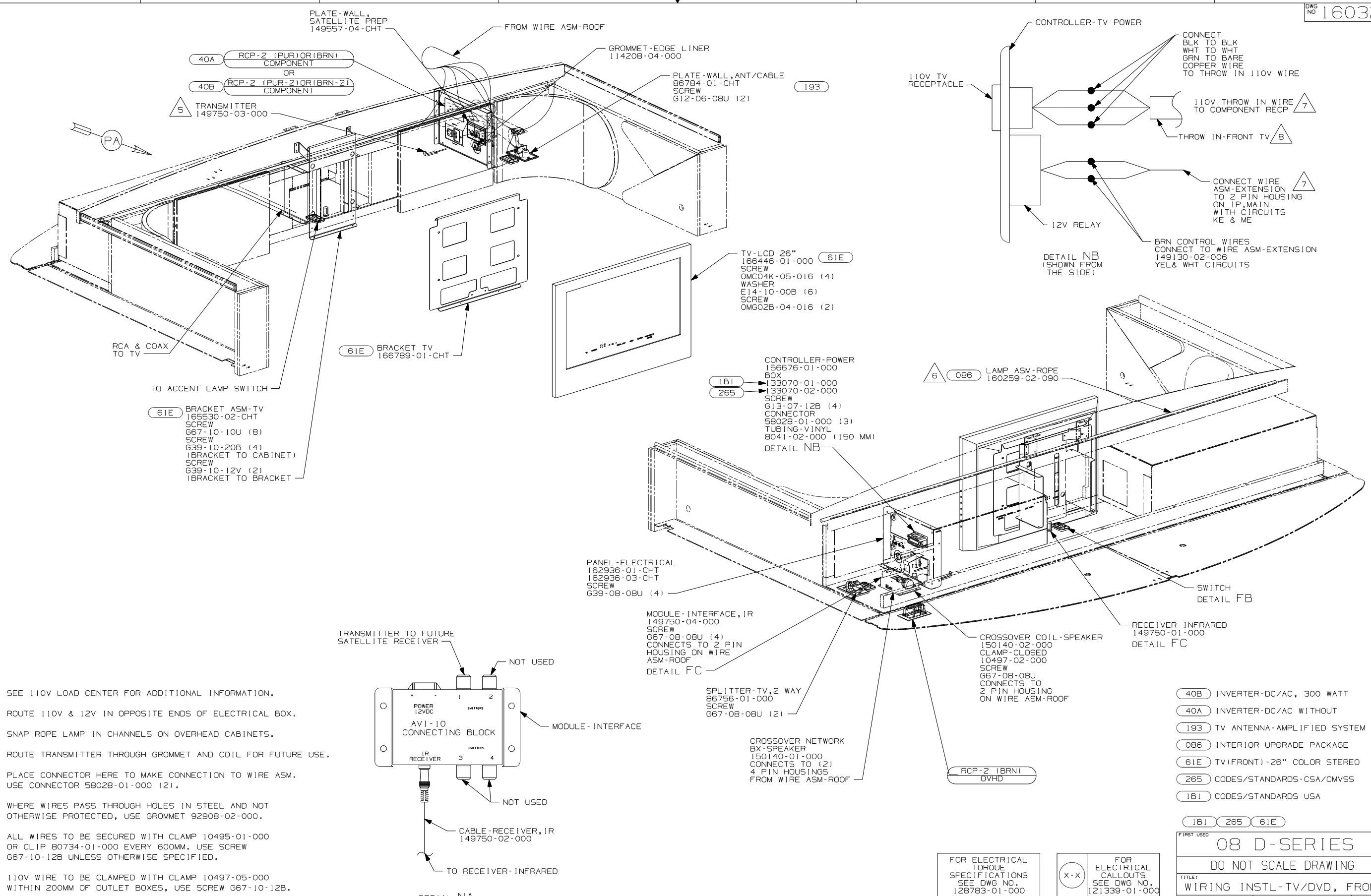
- 9 WITHOUT 48R CABLE CONNECTS DIRECTLY TO PREP PLATE. SEE ALTERNAE ROUTING WITH 48R
- 8 ANTENNA CABLES ARE TO BE ROUTED INTO FRONT CAP AREA AND ATTACHED TO FRONT EDGE OF ROOF.
- 7 AUDIO OUT TO WIRE ASM-JUMPER,SPEAKER, CONNECT COLOR TO COLOR.
- 6 WHT COAX IS PART OF WIRE ASM-SATELLITE AUTO GRAY COAX IS NOT USED, TAPE BACK TO HARNESS.
- 5 SET POWER SWITCH TO "ON" POSITION BEFORE INSTALLING TELEVISION.
- 4 INSERT WIRE PIN INTO CONNECTOR WITH SEAM ON TERMINAL FACING TERMINAL LOCK LEVER.
- 3 DVD PLAYER IS TO BE SET TO PROGRESSIVE SCAN.
- 2 CABLE ROUTED IN ROOF.
- 1 CONNECTED TO THE REAR SIDE OF SATELLITE PREP PLATE.

NOTES:

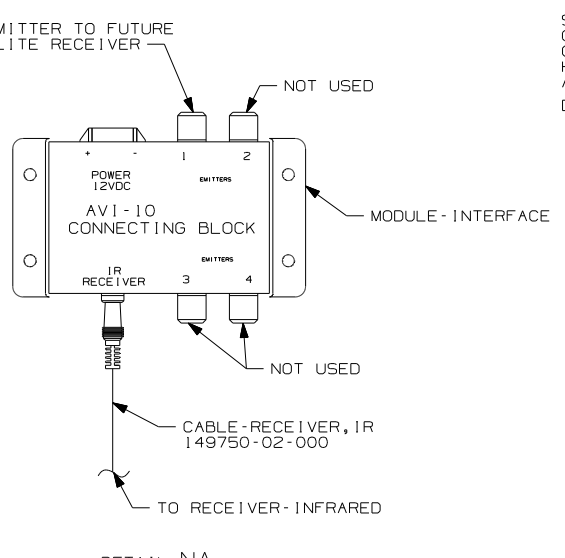
- 42E TV-27" COLOR,STEREO W/REMOTE
- 42N TV(FRONT)-27" COLOR STEREO
- 78K SATELLITE DISH-AUTOMATIC
- 48R SAT SYS IN-MOTION W/O RCVR
- 25F DIGITAL VIDEO DISC PLAYER
- 1JM HOME THEATER SOUND SYSTEM
- 1JF HOME THEATER SYS-WITHOUT
- 265 CODES/STANDARDS-CSA/CMVSS
- 1B1 CODES/STANDARDS USA

| | |
|---------------------------|--------------------|
| FIRST USED | |
| 08 A-BODIES | |
| DO NOT SCALE DRAWING | |
| TITLE: | |
| WIRING INSTL-TV/DVD,FRONT | |
| SHEET 12 | PART NO 160325 REV |

DETAIL MA R-SERIES W/SAMSUNG TV



- NOTES:
- 110V WIRE TO BE CLAMPED WITH CLAMP 10497-05-000 WITHIN 200MM OF OUTLET BOXES, USE SCREW 667-10-12B.
 - ALL WIRES TO BE SECURED WITH CLAMP 10495-01-000 OR CLIP 80734-01-000 EVERY 600MM. USE SCREW 667-10-12B UNLESS OTHERWISE SPECIFIED.
 - WHERE WIRES PASS THROUGH HOLES IN STEEL AND NOT OTHERWISE PROTECTED, USE GROMMET 92908-02-000.
 - PLACE CONNECTOR HERE TO MAKE CONNECTION TO WIRE ASM. USE CONNECTOR 58028-01-000 (2).
 - ROUTE TRANSMITTER THROUGH GROMMET AND COIL FOR FUTURE USE.
 - SNAP ROPE LAMP IN CHANNELS ON OVERHEAD CABINETS.
 - ROUTE 110V & 12V IN OPPOSITE ENDS OF ELECTRICAL BOX.
 - SEE 110V LOAD CENTER FOR ADDITIONAL INFORMATION.

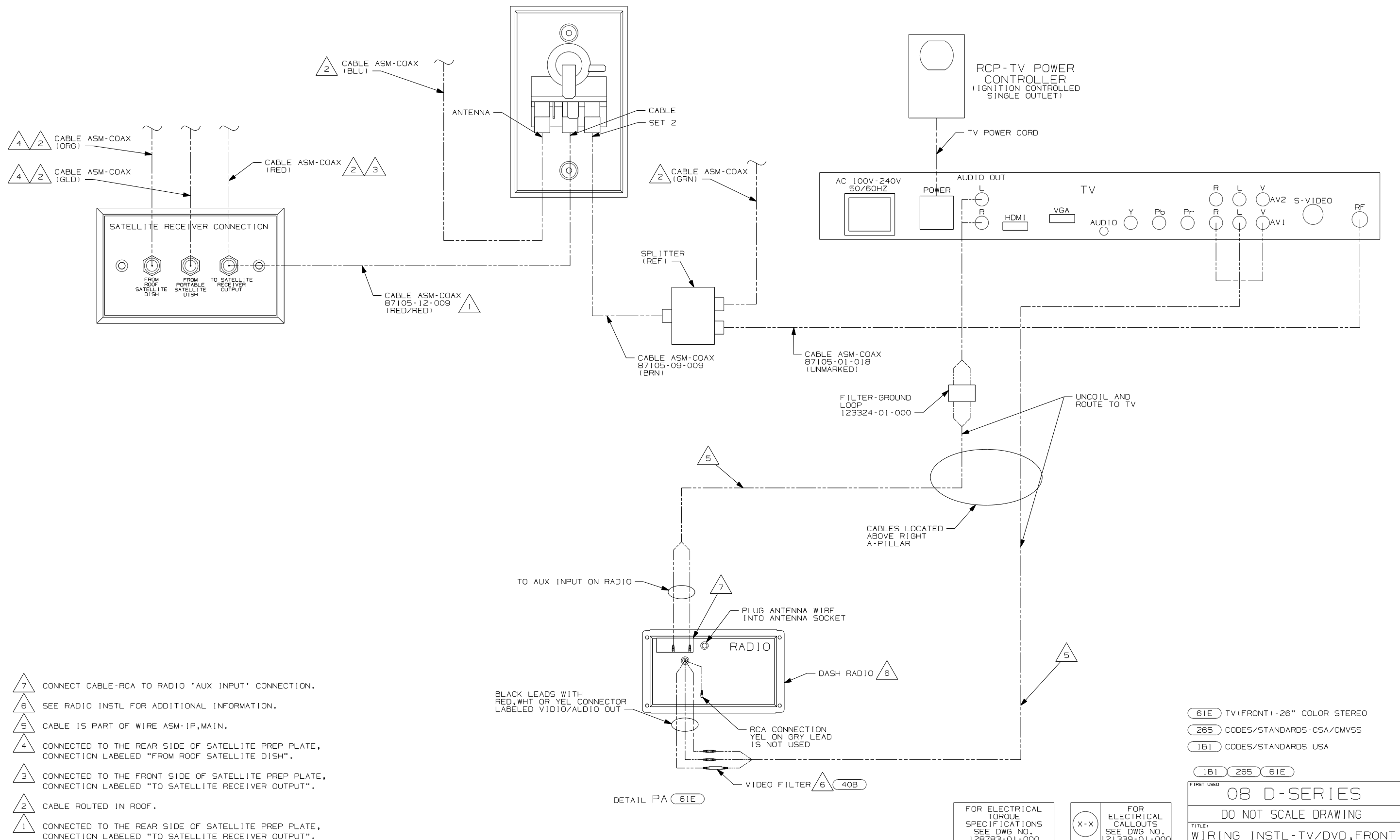


FOR ELECTRICAL TORQUE SPECIFICATIONS SEE DWG NO. 128783-01-000

FOR ELECTRICAL CALLOUTS SEE DWG NO. 121339-01-000

- 40B INVERTER-DC/AC, 300 WATT
- 40A INVERTER-DC/AC WITHOUT
- 193 TV ANTENNA-AMPLIFIED SYSTEM
- 086 INTERIOR UPGRADE PACKAGE
- 61E TV (FRONT)-26" COLOR STEREO
- 265 CODES/STANDARDS-CSA/CMVSS
- 1B1 CODES/STANDARDS USA

| | |
|-----------------------------------|--------------------|
| FIRST USED | |
| 08 D-SERIES | |
| DO NOT SCALE DRAWING | |
| TITLE: WIRING INSTL-TV/DVD, FRONT | |
| SHEET 13 | PART NO 160325 REV |



- NOTES:
- 7 CONNECT CABLE-RCA TO RADIO 'AUX INPUT' CONNECTION.
 - 6 SEE RADIO INSTL FOR ADDITIONAL INFORMATION.
 - 5 CABLE IS PART OF WIRE ASM-IP, MAIN.
 - 4 CONNECTED TO THE REAR SIDE OF SATELLITE PREP PLATE, CONNECTION LABELED "FROM ROOF SATELLITE DISH".
 - 3 CONNECTED TO THE FRONT SIDE OF SATELLITE PREP PLATE, CONNECTION LABELED "TO SATELLITE RECEIVER OUTPUT".
 - 2 CABLE ROUTED IN ROOF.
 - 1 CONNECTED TO THE REAR SIDE OF SATELLITE PREP PLATE, CONNECTION LABELED "TO SATELLITE RECEIVER OUTPUT".

FOR ELECTRICAL TORQUE SPECIFICATIONS SEE DWG NO. 128783-01-000

FOR ELECTRICAL CALLOUTS SEE DWG NO. 121339-01-000

- 61E TV (FRONT) - 26" COLOR STEREO
- 265 CODES/STANDARDS - CSA/CMVSS
- 1B1 CODES/STANDARDS USA

| | |
|------------------------------|----------------------|
| FIRST USED | 08 D-SERIES |
| TITLE: | DO NOT SCALE DRAWING |
| WIRING INSTL - TV/DVD, FRONT | |
| SHEET 14 | PART NO 160325 REV |