

FRONT
OF
COACH

- (1B1) CODES/STANDARDS USA
- (265) CODES/STDS-CSA, CMVSS
- (54E) WASHER DRYER
- (21M) WASHER/DRYER PREP
- (214) DISHWASHER DRAWER STYLE
- (215) DISHWASHER WITHOUT

- 6 VENT PIPE MUST PROJECT 51 MIN AND 64 MAX ABOVE ROOF FOR PROPER FIT AND FUNCTION.
5. SEAL AROUND SHOWER WITH SILICONE.
 4. ALL EXTERIOR OPENINGS AROUND PIPE TO BE SEALED WITH 110744-01-000.
 3. ALL PIPE AND FITTINGS TO BE ASSEMBLED WITH SOLVENT 4020-01-000 (US), 4020-02-000 (CAN).
 2. SLOPE OF TRAP ARM MUST BE 6 PER 305 mm.
 1. SLOPE OF HORIZONTAL PIPING TO BE MIN 3 PER 305 mm.

NOTES:

(X-X)
FOR
DRAINAGE
CALLOUTS
SEE DWG NO
116229-01-000

WINNEBAGO		COPYRIGHT 2007 WINNEBAGO INDUSTRIES, INC.	
DFT	ORIG. DATE	ALL DIMENSIONS ARE IN MILLIMETERS	
CHKR		FIRST USED	
P.E.		08 S40TD	
M.E.		UNSPECIFIED TOLERANCES ARE:	
DSNR		MATERIAL:	
		WHOLE DIM (X)	: 3
		ONE-PLACE (X.X)	: 1.5
		TWO-PLACE (X.XX)	: 0.50
		ANGLE	: 1°
THIRD ANGLE PROJECTION		DO NOT SCALE DRAWING	
TITLE: DRAINAGE SYSTEM INSTL			
SHEET 1 OF 4	PART NO	162157	REV
REF:	1 12/5/2007		

SINK-GALLEY
144445-01-CHT
STRAINER
92303-02-000 (2)
TAIL PIECE
11069-03-000
NUT & WASHER
(SUPPLIED W/STRAINER)
ANGLE-W/SLOTS
140002-01-CHT (10)

WASTE-CONTINUOUS
11091-04-000 (214)

STRAP-CONDUIT, 2"
8406-01-000
SCREW
G67-10-10T (2)

SHOWER COMPL
142018-09-XXX
STRAINER
66440-01-000
NUT
130403-01-000
TAILPIECE
11069-06-000
WASHER
127440-02-CHT
GASKET
132376-01-CHT

(21M) PLUG-PLASTIC
61420-10-000

(54E) (21M) PIPE-STAND
130234-01-000

CP-2
6

CP-2
6

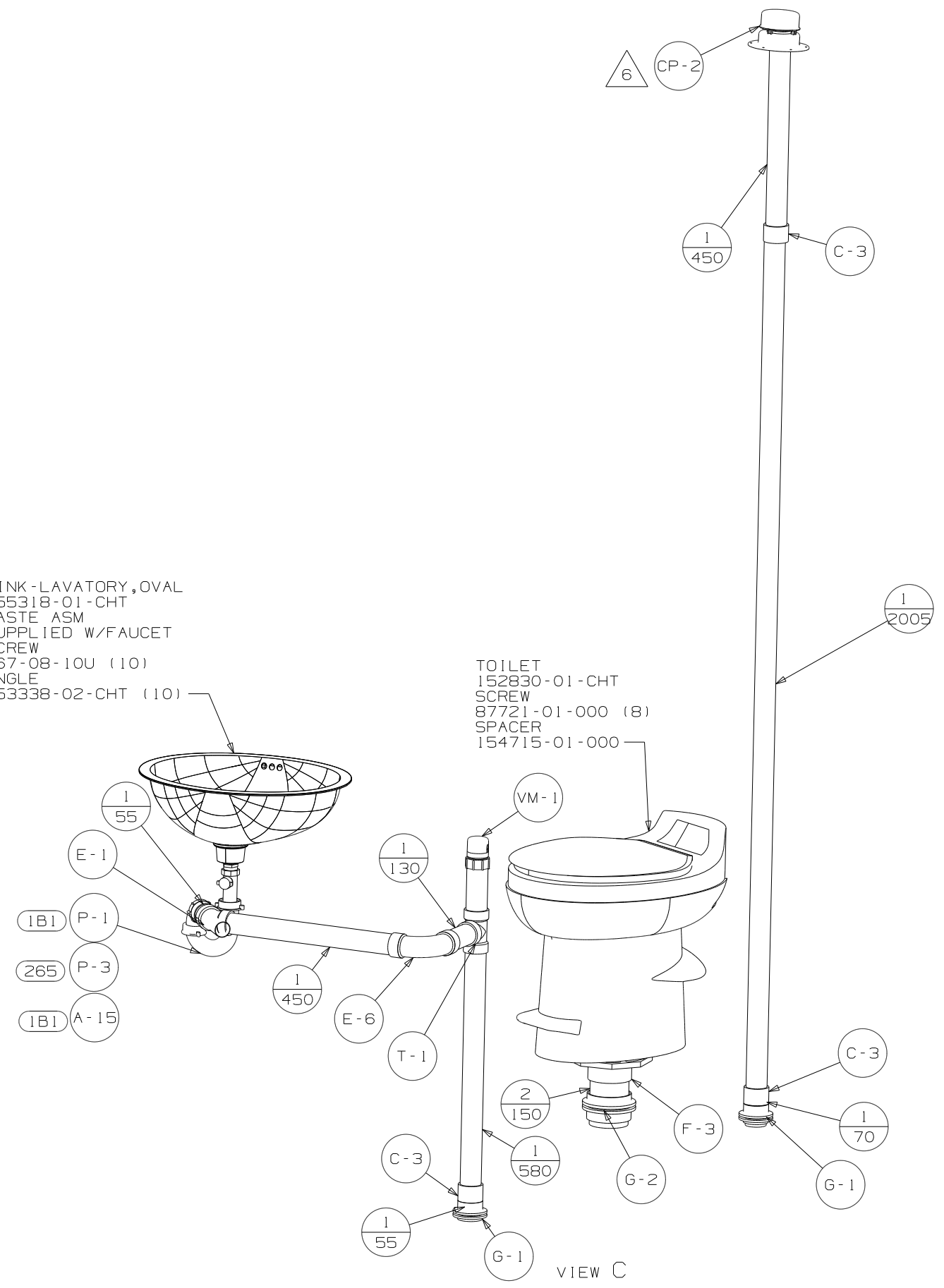
VIEW A

VIEW B

FIRST USED	OB S40TD
DO NOT SCALE DRAWING	
TITLE	DRAINAGE SYSTEM INSTL
SHEET 2	PART NO 162157 REV

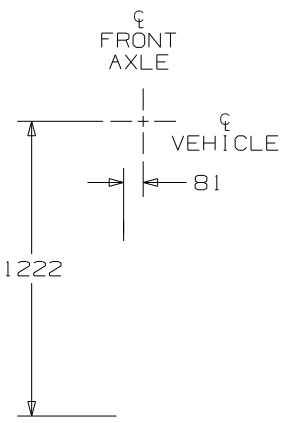
SINK - LAVATORY, OVAL
155318-01-CHT
WASTE ASM
SUPPLIED W/FAUCET
SCREW
G67-08-10U (10)
ANGLE
153338-02-CHT (10)

TOILET
152830-01-CHT
SCREW
87721-01-000 (8)
SPACER
154715-01-000



VIEW C

FIRST USED	08 S40TD	
TITLE:	DO NOT SCALE DRAWING	
SHEET 3	PART NO	162157
	REV	1

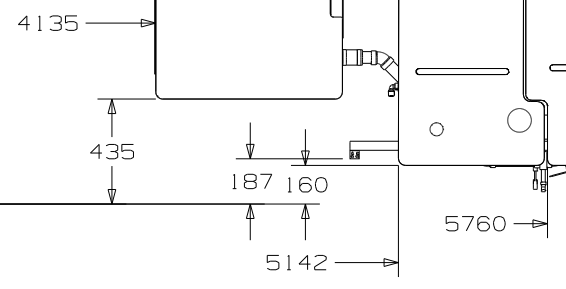


TANK-HOLDING, 52 GAL, BLK, FRT
163062-02-000

BRACKET-ASM TANK
158968-02-CHT

PLATFORM-HOLDING TANK
126714-10-000

VIEW D



FITTING-HUB, 3" CAP
155752-01-000

SUPPORT ASM-HOLDING TANK
163110-01-CHT

TANK-HOLDING, 67 GAL, GRY, RR
163063-02-000

TANK ASM-HOLDING
163061-02-000

STL-ANGLE
130923-01-500

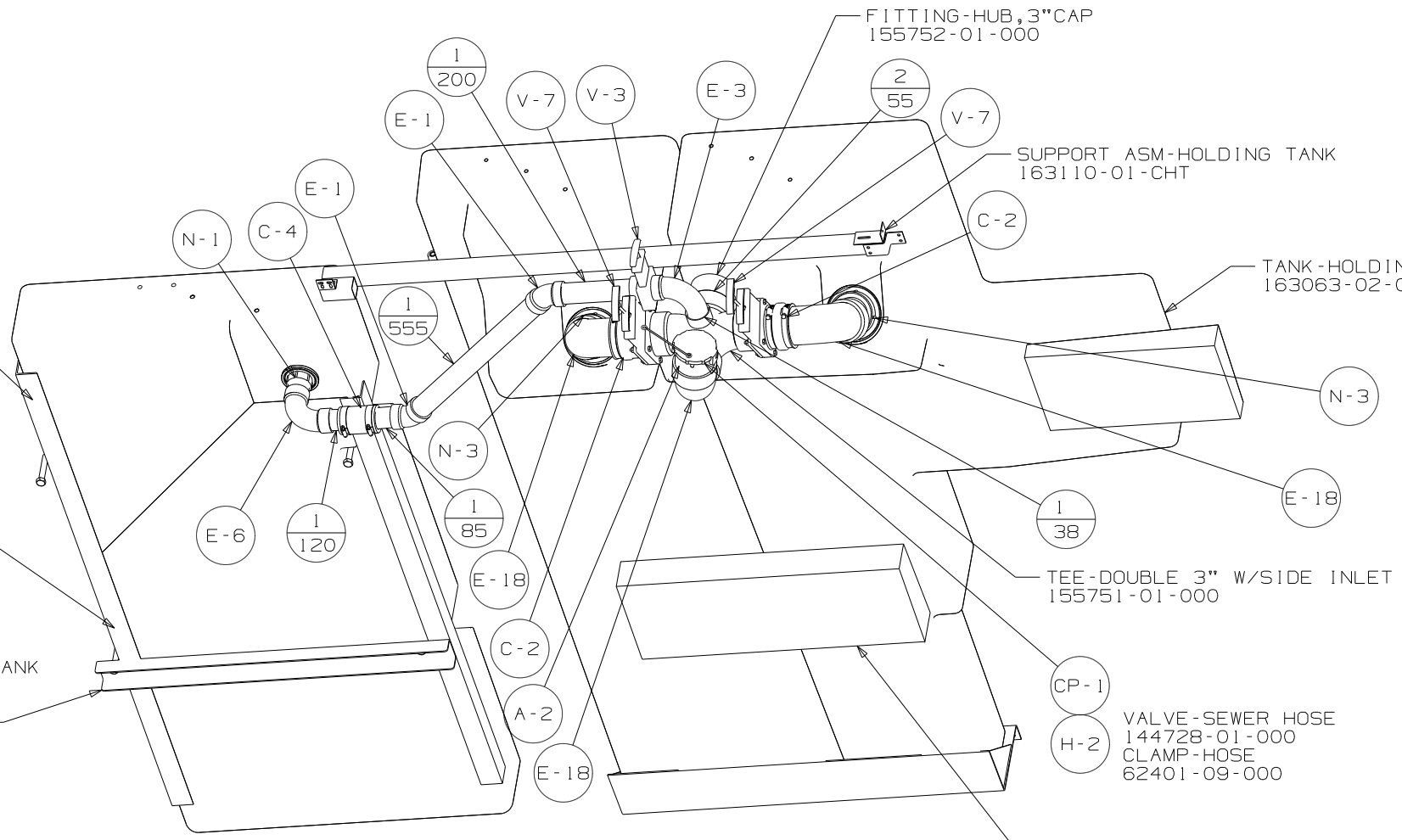
FRAME-ASM-SUPPORT, TANK
166601-01-CHT
BOLT
106956-03-000 (4)

TEE-DOUBLE 3" W/SIDE INLET
155751-01-000

VALVE-SEWER HOSE
144728-01-000
CLAMP-HOSE
62401-09-000

PLATFORM-HOLDING TANK
126714-49-000

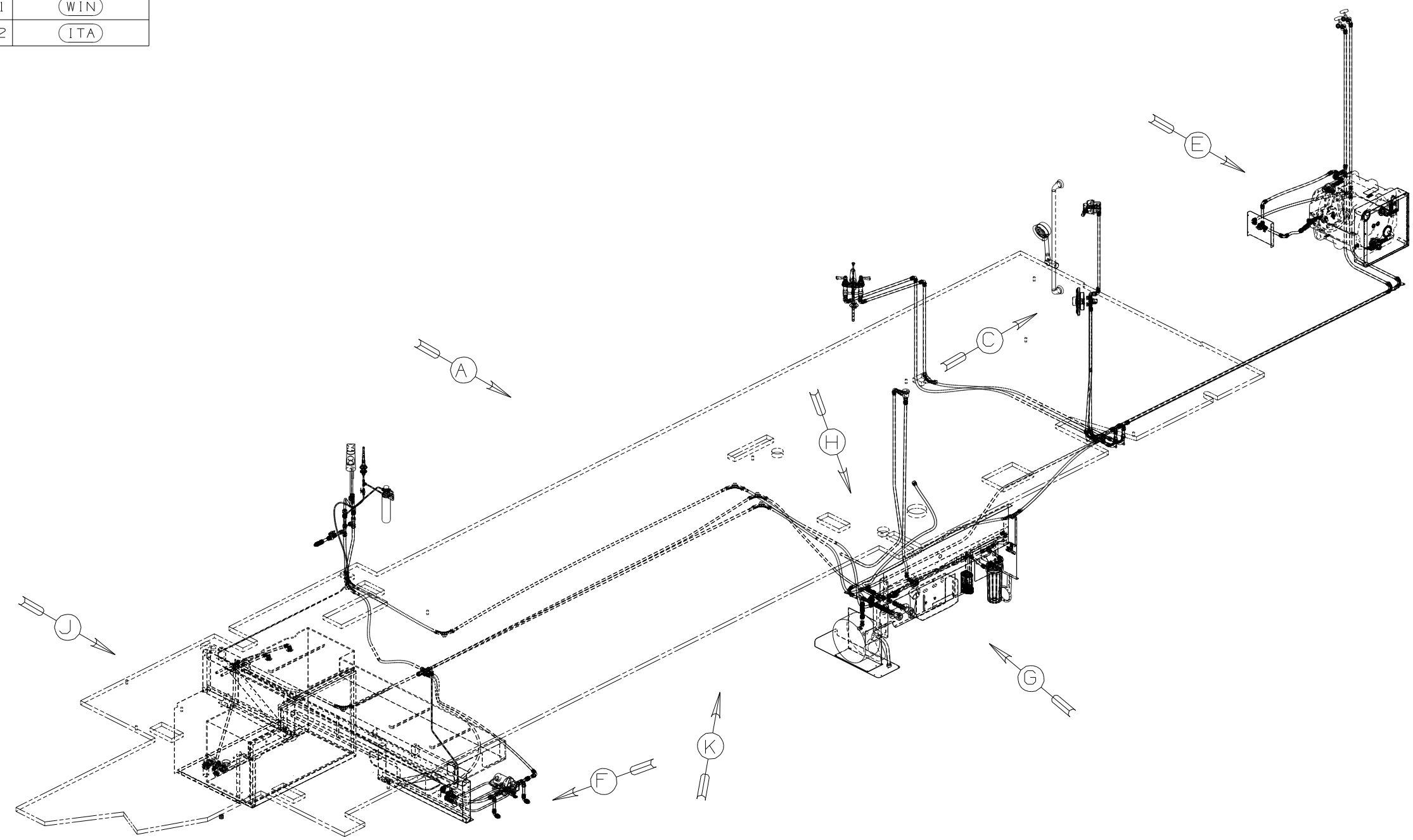
VIEW E



FIRST USED	OB S40TD		
TITLE	DO NOT SCALE DRAWING		
	DRAINAGE SYSTEM INSTL		
SHEET 4	PART NO	162157	REV

DWG NO	--
162160-01	(WIN)
162160-02	(ITA)

RELEASE	REV DATE	DWG NO
A		162160
REV ZONE	REVISION RECORD	DATE DFR-ORIG

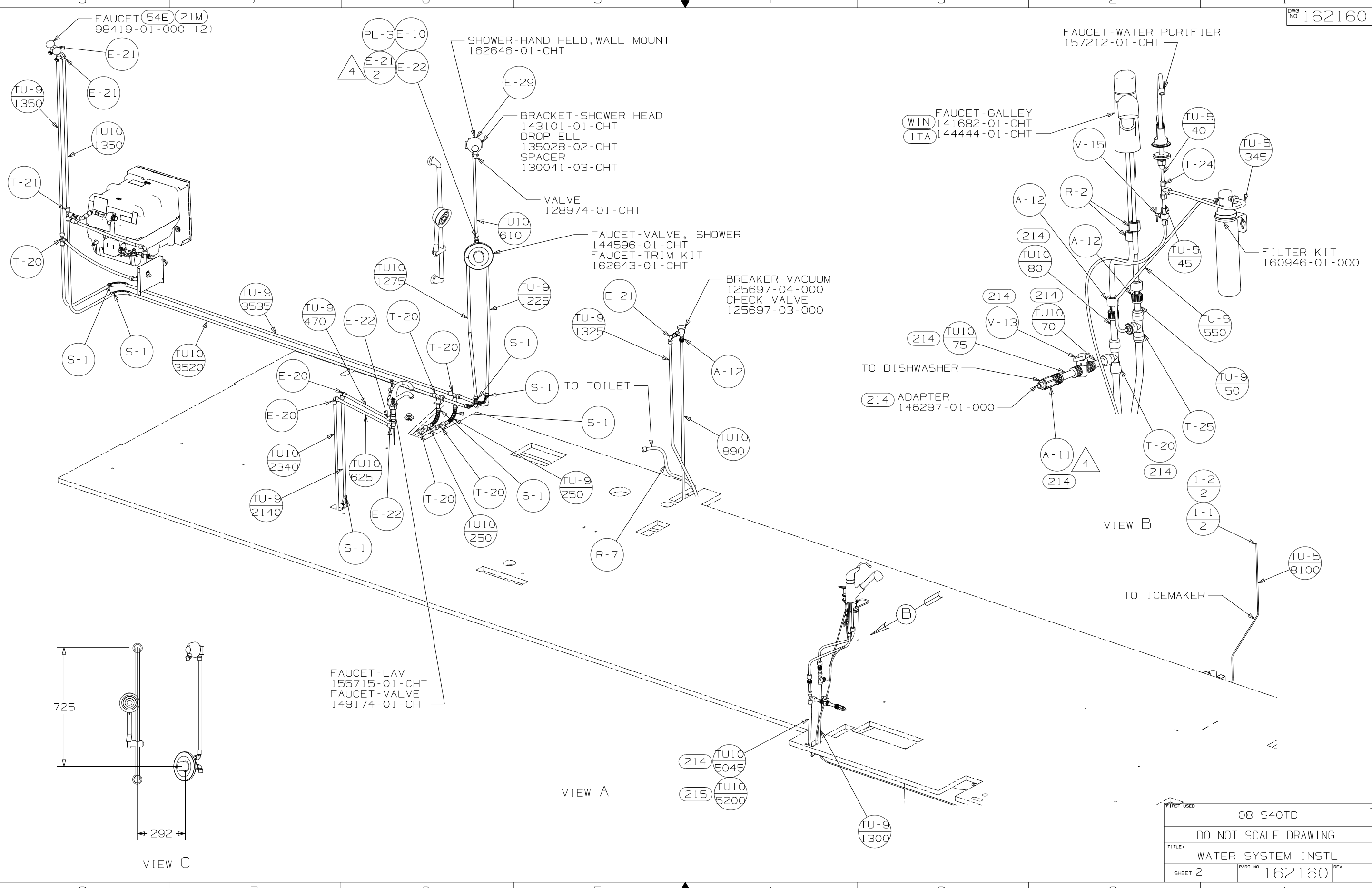


- (WIN) WINNEABAGO ONLY
- (ITA) ITASCA ONLY
- (54E) WASHER/DRYER
- (21M) WASHER/DRYER PREP
- (214) DISHWASHER-DRAWER STYLE
- (215) DISHWASHER WITHOUT
- (505) HOSE REEL - WATER, POWERED

- NOTES:
- 7. ADD PIPE WRAP (LADDER SCRAP 110157-02-000) INSULATION.
 - 6. ADD TEFLON TAPE 10405-03-000.
 - 5. ADD TEFLON TAPE 10405-02-000.
 - 4. ADD TEFLON TAPE 10405-01-000.
3. ALL TUBING TO BE SECURED AT 1200 INTERVALS MAXIMUM WITH CLAMP 10495-01-000 AND SCREW G67-10-12B OR EQUIVALENT.
 2. TUBING TO BE INSTALLED WITH SUFFICIENT SLOPE TO PROVIDE DRAINAGE TO NEAREST VALVE.
 1. PLASTIC FITTINGS TO BE SEALED WITH SEALANT 84456-01-000.

(X-X)
FOR
WATER
CALLOUTS
SEE DWG NO
116230-01-000

WINNEBAGO		COPYRIGHT 2008 WINNEBAGO INDUSTRIES, INC.	
DFT	ORIG. DATE	ALL DIMENSIONS ARE IN MILLIMETERS	
CHKR		FIRST USED	
P.E.		08 S40TD	
M.E.		UNSPECIFIED TOLERANCES ARE:	
DSNR		MATERIAL:	
		WHOLE DIM (X)	: 3
		ONE-PLACE (X.X)	: 1.5
		TWO-PLACE (X.XX)	: 0.50
		ANGLE	: 1°
THIRD ANGLE PROJECTION		DO NOT SCALE DRAWING	
TITLE: WATER SYSTEM INSTL			
SHEET 1 OF 5	PART NO	162160	REV
REF	1 2/5/2008		



FAUCET (54E) (21M)
98419-01-000 (2)

PL-3E-10
E-21
E-22
4

SHOWER-HAND HELD, WALL MOUNT
162646-01-CHT

FAUCET-WATER PURIFIER
157212-01-CHT

FAUCET-GALLEY
WIN 141682-01-CHT
ITA 144444-01-CHT

BRACKET-SHOWER HEAD
143101-01-CHT
DROP ELL
135028-02-CHT
SPACER
130041-03-CHT

VALVE
128974-01-CHT

FAUCET-VALVE, SHOWER
144596-01-CHT
FAUCET-TRIM KIT
162643-01-CHT

BREAKER-VACUUM
125697-04-000
CHECK VALVE
125697-03-000

FILTER KIT
160946-01-000

TO DISHWASHER

(214) ADAPTER
146297-01-000

VIEW B

TO ICEMAKER

FAUCET-LAV
155715-01-CHT
FAUCET-VALVE
149174-01-CHT

VIEW A

VIEW C

FIRST USED		OB S40TD	
DO NOT SCALE DRAWING			
TITLE: WATER SYSTEM INSTL			
SHEET 2	PART NO	162160	REV

- WATER-HTR
145541-03-000
- DOOR
125420-05-CHT
- SCREW
G39-10-10U (16)
- CABLE ASM
76767-03-000
- SCREW
113563-01-CHT
- AL EXTR
135959-51-002 (2)
- 165959-51-003 (2)
- FLANGE-WATER HEATER
152239-02-CHT

COVER-VALVE, BYPASS
138618-03-CHT

VIEW F

VIEW E

CLAMP-CLOSED
10497-01-000

BRACKET-VALVE, BYPASS, HEATER
159640-01-CHT

FIRST USED	OB S40TD		
TITLE	DO NOT SCALE DRAWING		
TITLE	WATER SYSTEM INSTL		
SHEET 3	PART NO	162160	REV

FLUSHING SYSTEM
125697-05-000

SERVICE CENTER ASM
163268-01-XXX

CLAMP - CLOSED
10497-01-000

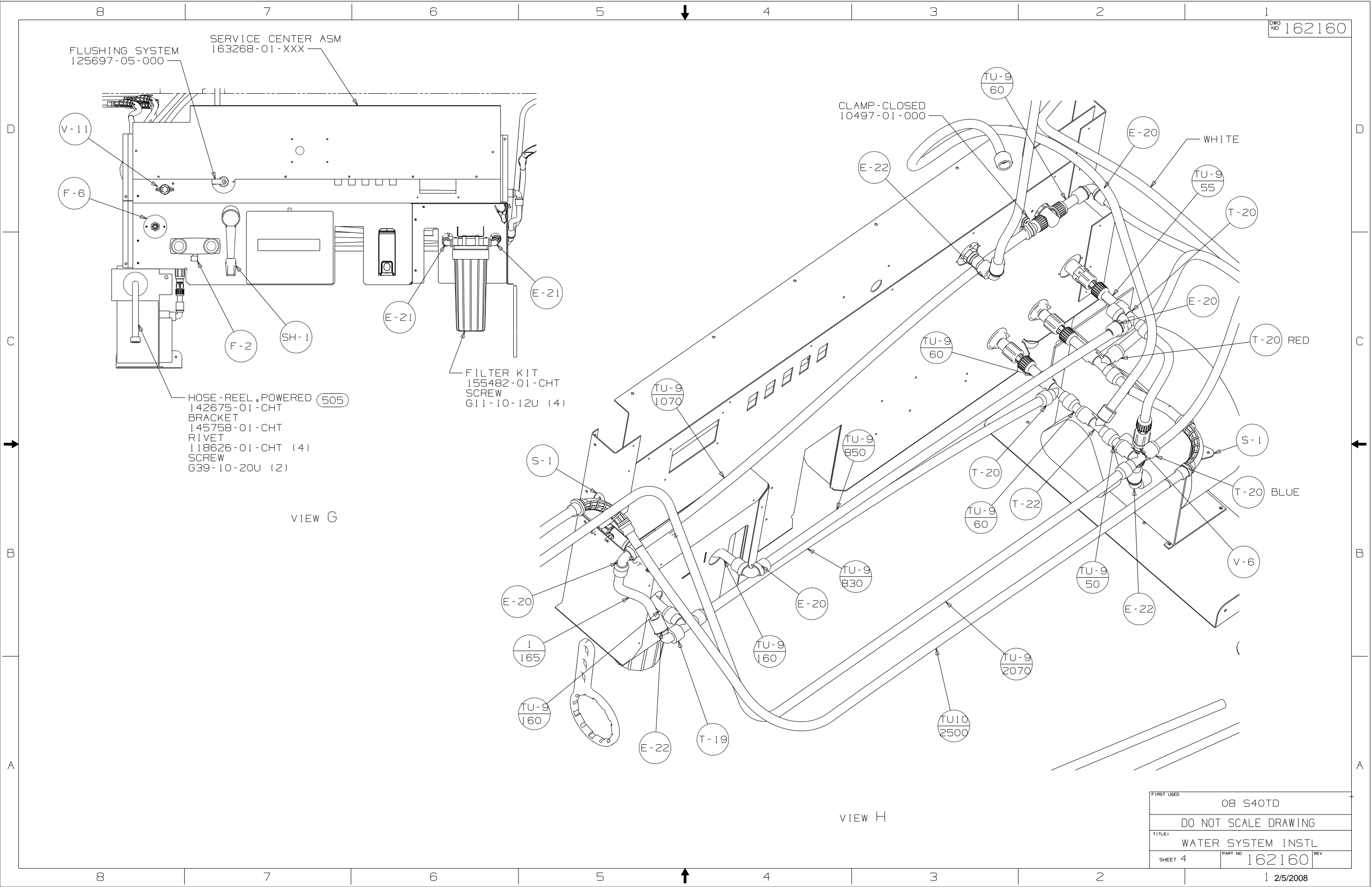
FILTER KIT
155482-01-CHT
SCREW
G11-10-12U (4)

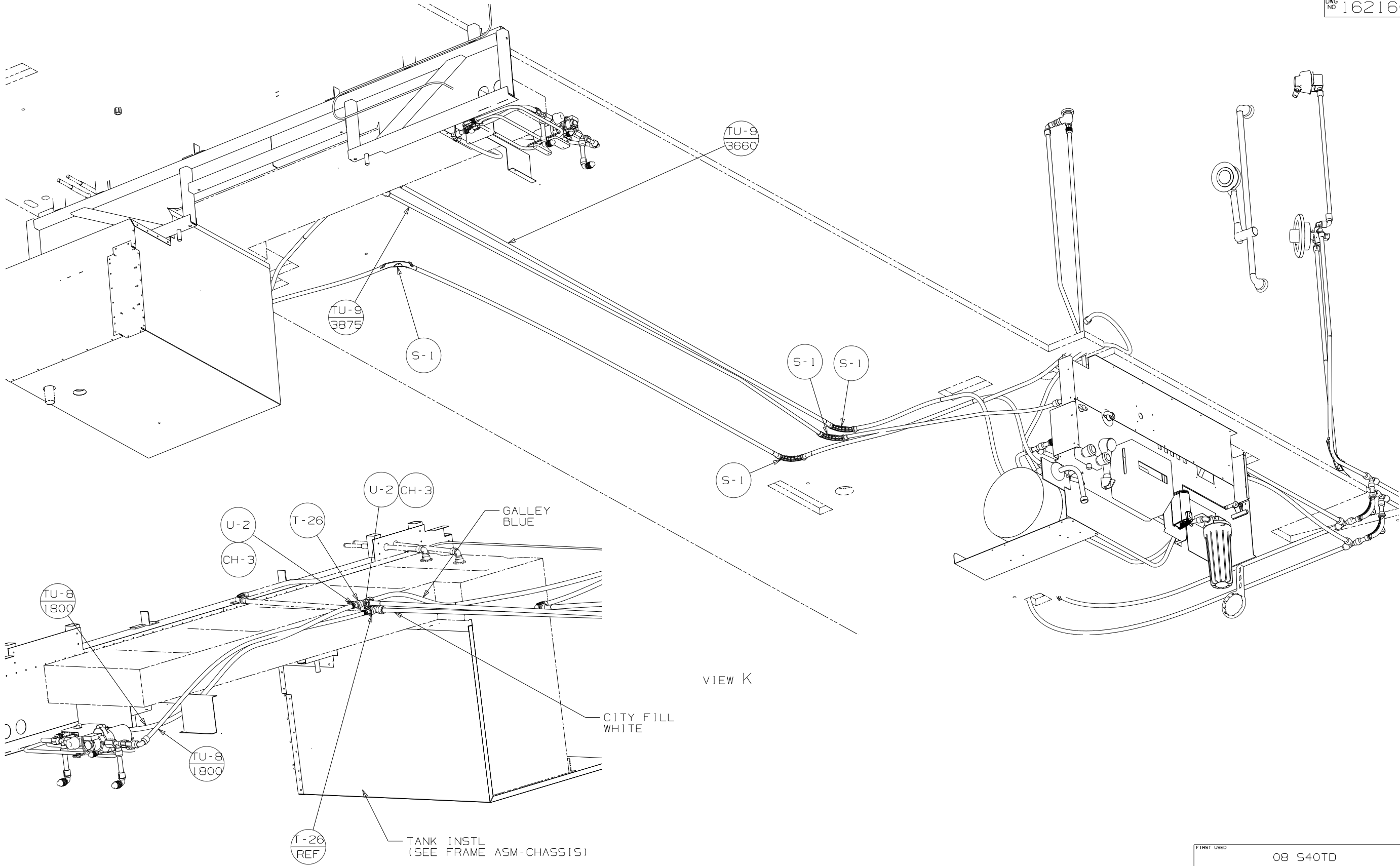
HOSE - REEL, POWERED (505)
142675-01-CHT
BRACKET
145758-01-CHT
RIVET
118626-01-CHT (4)
SCREW
G39-10-20U (2)

VIEW G

VIEW H

FIRST USED	OB S40TD		
TITLE	DO NOT SCALE DRAWING		
TITLE	WATER SYSTEM INSTL		
SHEET 4	PART NO	162160	REV
1 2/5/2008			





VIEW J

VIEW K

FIRST USED	OB S40TD		
TITLE	DO NOT SCALE DRAWING		
	WATER SYSTEM INSTL		
SHEET 5	PART NO	162160	REV