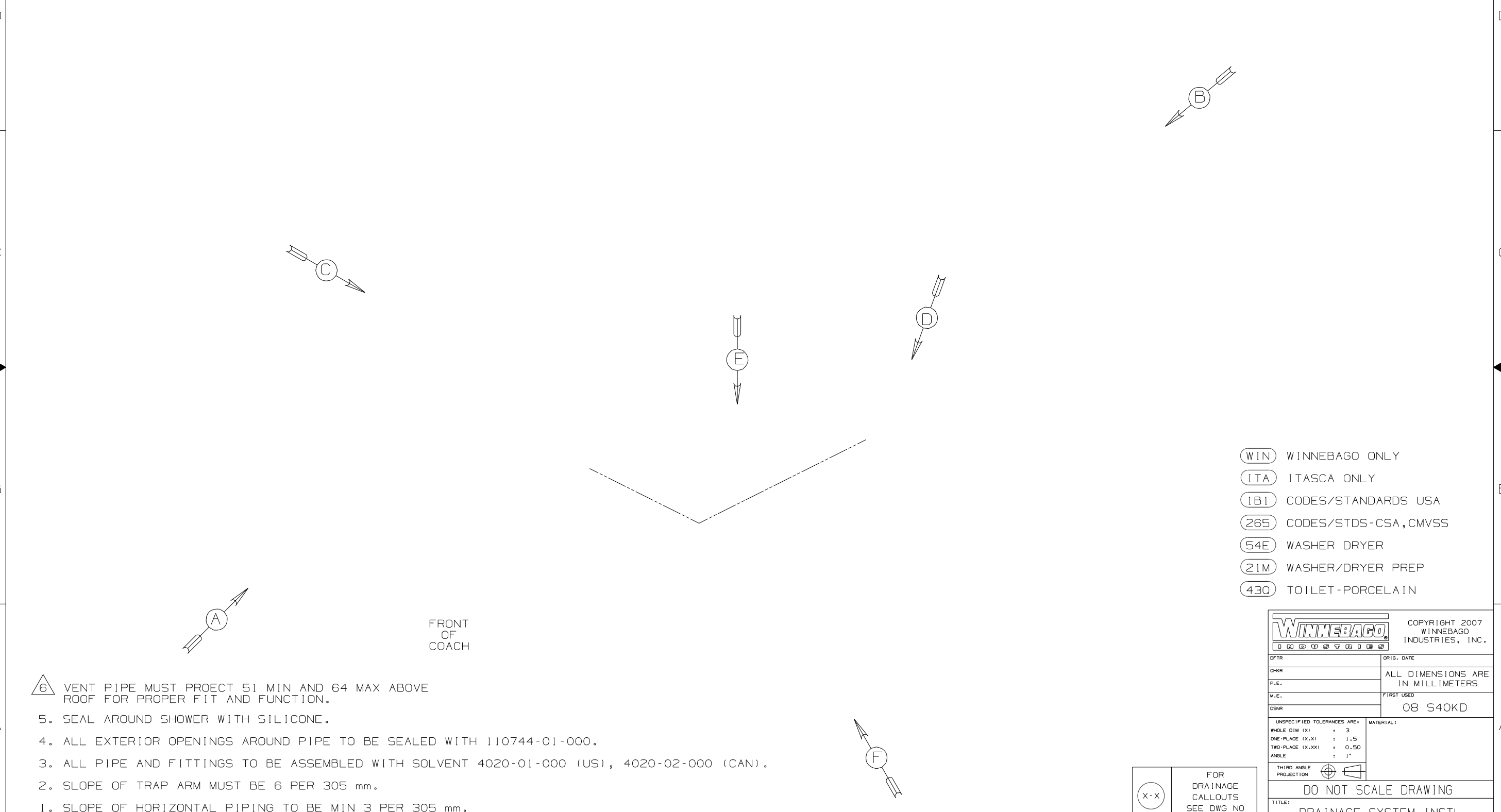


DWG NO	--
162874-01	(WIN)
162874-02	(ITA)

RELEASE	REV DATE	DWG NO
A		162874
REV ZONE	REVISION RECORD	DATE



- (WIN) WINNEBAGO ONLY
- (ITA) ITASCA ONLY
- (IBI) CODES/STANDARDS USA
- (265) CODES/STDS-CSA, CMVSS
- (54E) WASHER DRYER
- (21M) WASHER/DRYER PREP
- (43Q) TOILET-PORCELAIN

FRONT  
OF  
COACH

- 6 VENT PIPE MUST PROJECT 51 MIN AND 64 MAX ABOVE ROOF FOR PROPER FIT AND FUNCTION.
5. SEAL AROUND SHOWER WITH SILICONE.
  4. ALL EXTERIOR OPENINGS AROUND PIPE TO BE SEALED WITH 110744-01-000.
  3. ALL PIPE AND FITTINGS TO BE ASSEMBLED WITH SOLVENT 4020-01-000 (US), 4020-02-000 (CAN).
  2. SLOPE OF TRAP ARM MUST BE 6 PER 305 mm.
  1. SLOPE OF HORIZONTAL PIPING TO BE MIN 3 PER 305 mm.

NOTES:

(X-X)  
FOR  
DRAINAGE  
CALLOUTS  
SEE DWG NO  
116229-01-000

<b>WINNEBAGO</b>		COPYRIGHT 2007 WINNEBAGO INDUSTRIES, INC.	
D/FR	ORIG. DATE	ALL DIMENSIONS ARE IN MILLIMETERS	
CHKR		FIRST USED	
P.E.		08 S40KD	
M.E.		UNSPECIFIED TOLERANCES ARE:	
DSNR		MATERIAL:	
		WHOLE DIM (X)	: 3
		ONE-PLACE (X.X)	: 1.5
		TWO-PLACE (X.XX)	: 0.50
		ANGLE	: 1°
THIRD ANGLE PROJECTION			
DO NOT SCALE DRAWING			
TITLE: DRAINAGE SYSTEM INSTL			
SHEET 1 OF 4	PART NO	162874	REV

SINK-GALLEY  
144445-01-000  
STRAINER  
92303-02-000 (2)  
TAILPIECE  
11069-03-000  
NUT & WASHER  
SUPPLIED WITH STRAINER

(215) W-2  
(214) WASTE-CONTINOUS-DOUBLE SINK  
11091-04-000  
CLAMP-WORMGEAR  
62401-01-000

PIPE-STAND  
130234-01-000  
PLUG-PLASTIC  
61420-10-000 (21M)

BRACKET-COVER, PLUMBING  
142526-01-CHT

ELBOW  
136111-01-000

BRACKET-CARRIER  
142527-02-CHT

PRIMER  
126427-02-000  
CEMENT  
126427-01-000 (USA)  
126427-03-000 (CAN)

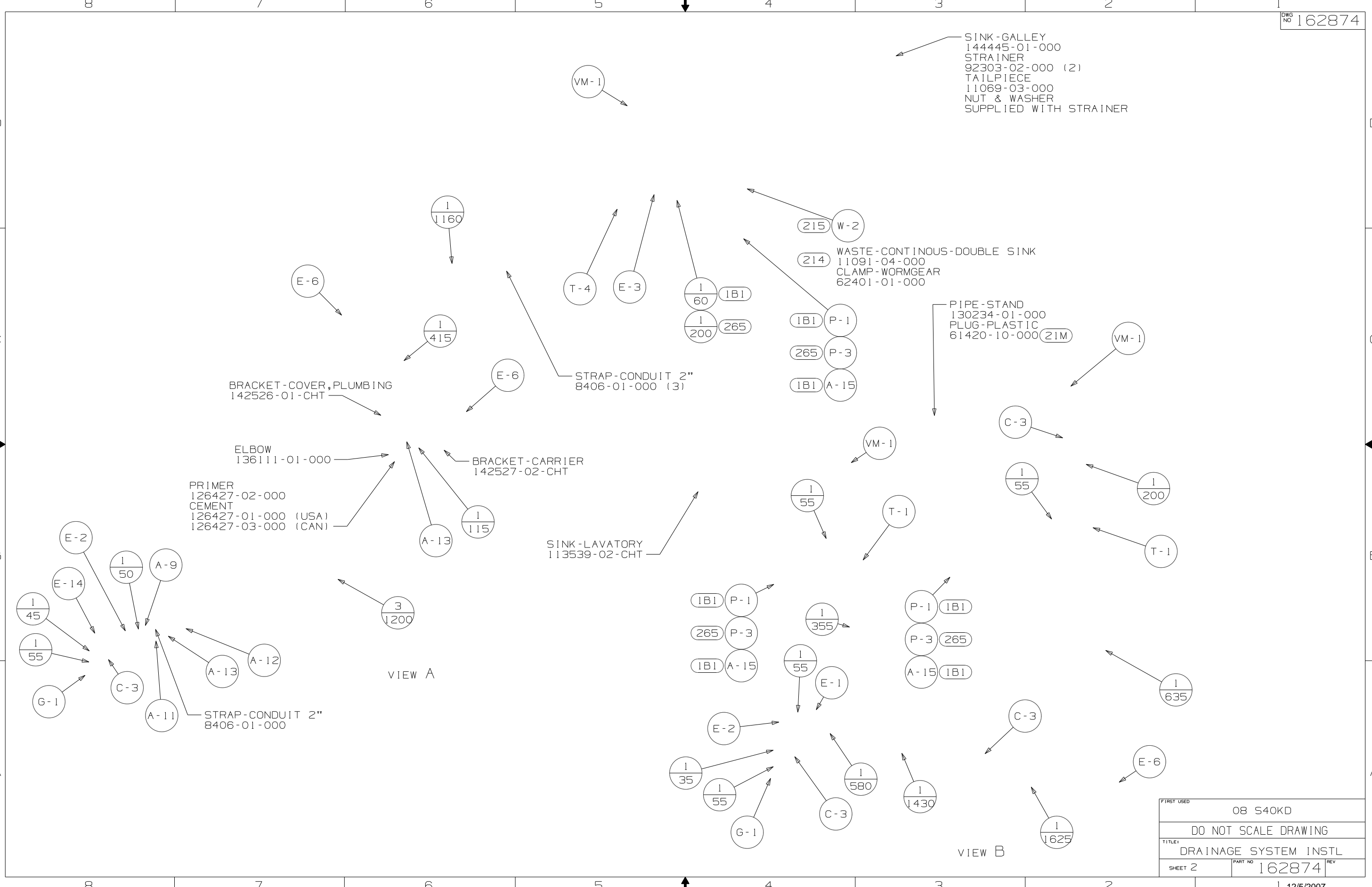
SINK-LAVATORY  
113539-02-CHT

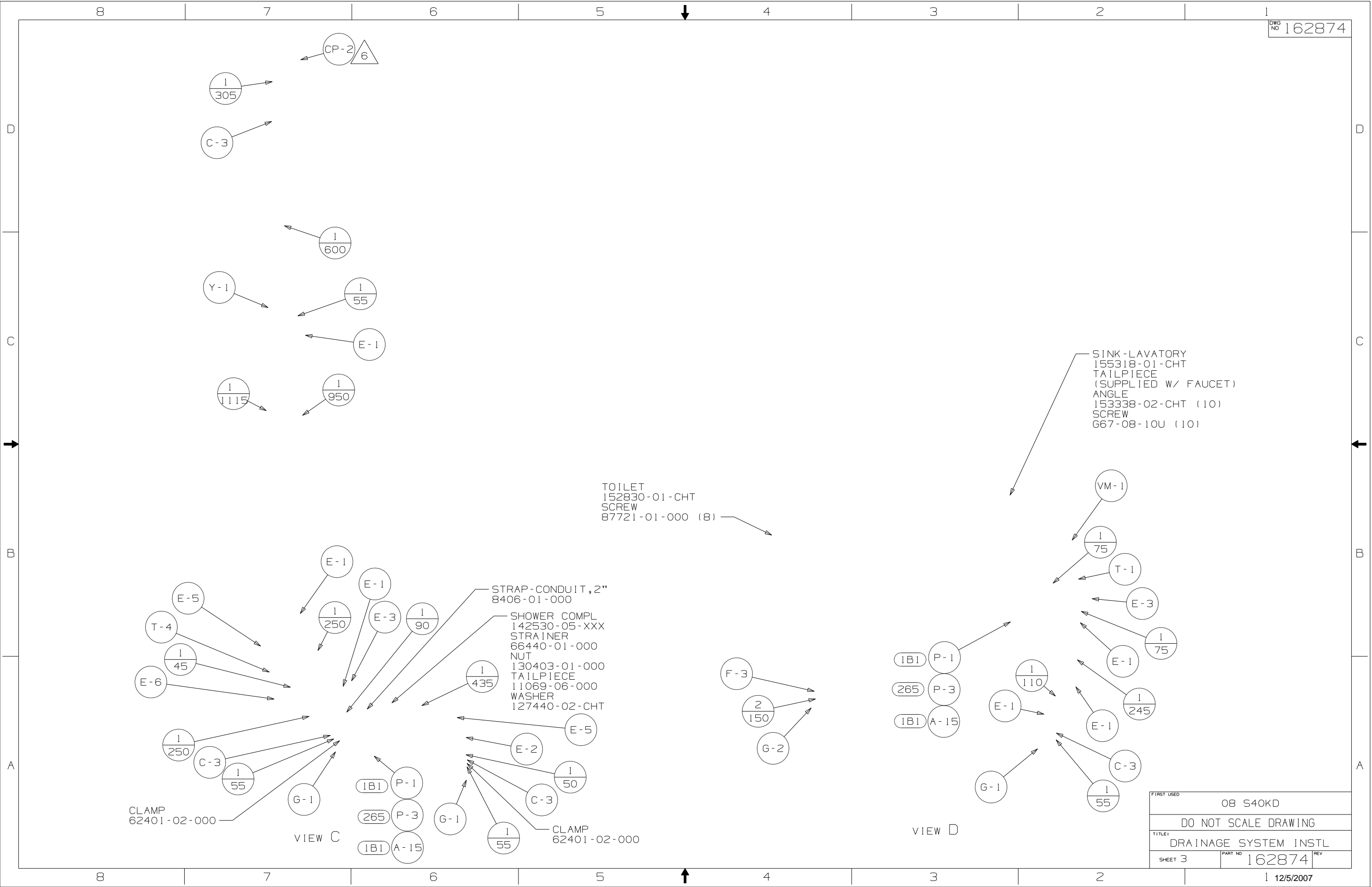
STRAP-CONDUIT 2"  
8406-01-000

VIEW A

VIEW B

FIRST USED	OB S40KD		
TITLE	DO NOT SCALE DRAWING		
TITLE	DRAINAGE SYSTEM INSTL		
SHEET 2	PART NO	162874	REV





TOILET  
 152830-01-CHT  
 SCREW  
 87721-01-000 (8)

SINK-LAVATORY  
 155318-01-CHT  
 TAILPIECE  
 (SUPPLIED W/ FAUCET)  
 ANGLE  
 153338-02-CHT (10)  
 SCREW  
 667-08-10U (10)

STRAP-CONDUIT, 2"  
 8406-01-000

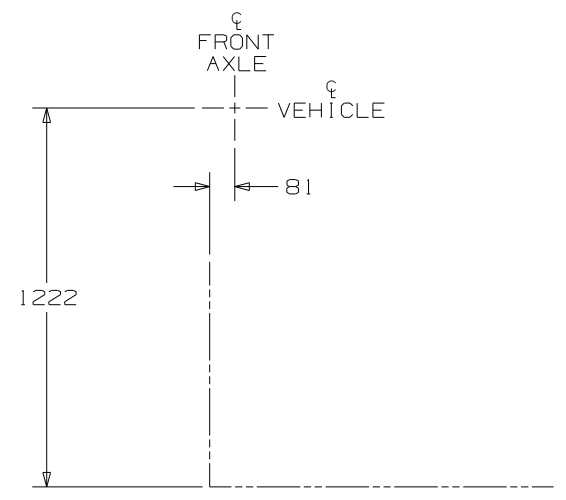
SHOWER COMPL  
 142530-05-XXX  
 STRAINER  
 66440-01-000  
 NUT  
 130403-01-000  
 TAILPIECE  
 11069-06-000  
 WASHER  
 127440-02-CHT

CLAMP  
 62401-02-000

VIEW C

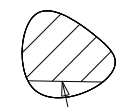
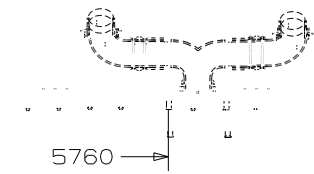
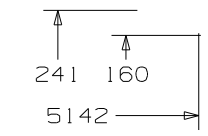
VIEW D

FIRST USED		OB S40KD	
DO NOT SCALE DRAWING			
TITLE: DRAINAGE SYSTEM INSTL			
SHEET 3	PART NO	162874	REV



BRACKET  
161759-01-CHT  
BOLT  
C26-05-12B (6)

SUPPORT ASM-HOLDING TANK  
161762-02-CHT  
SCREW  
G39-10-20T (4)



PLATFORM  
126714-10-000

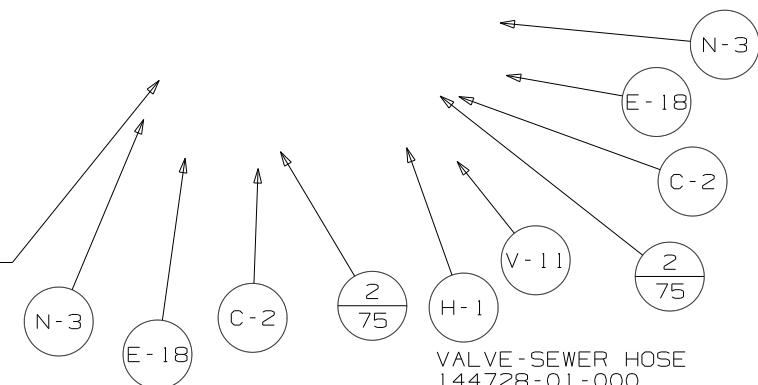
VIEW E

TANK - HOLDING  
161224-03-000

TANK - HOLDING  
161225-03-000

BRACKET - DRAINAGE  
146080-02-CHT (2)

VIEW F

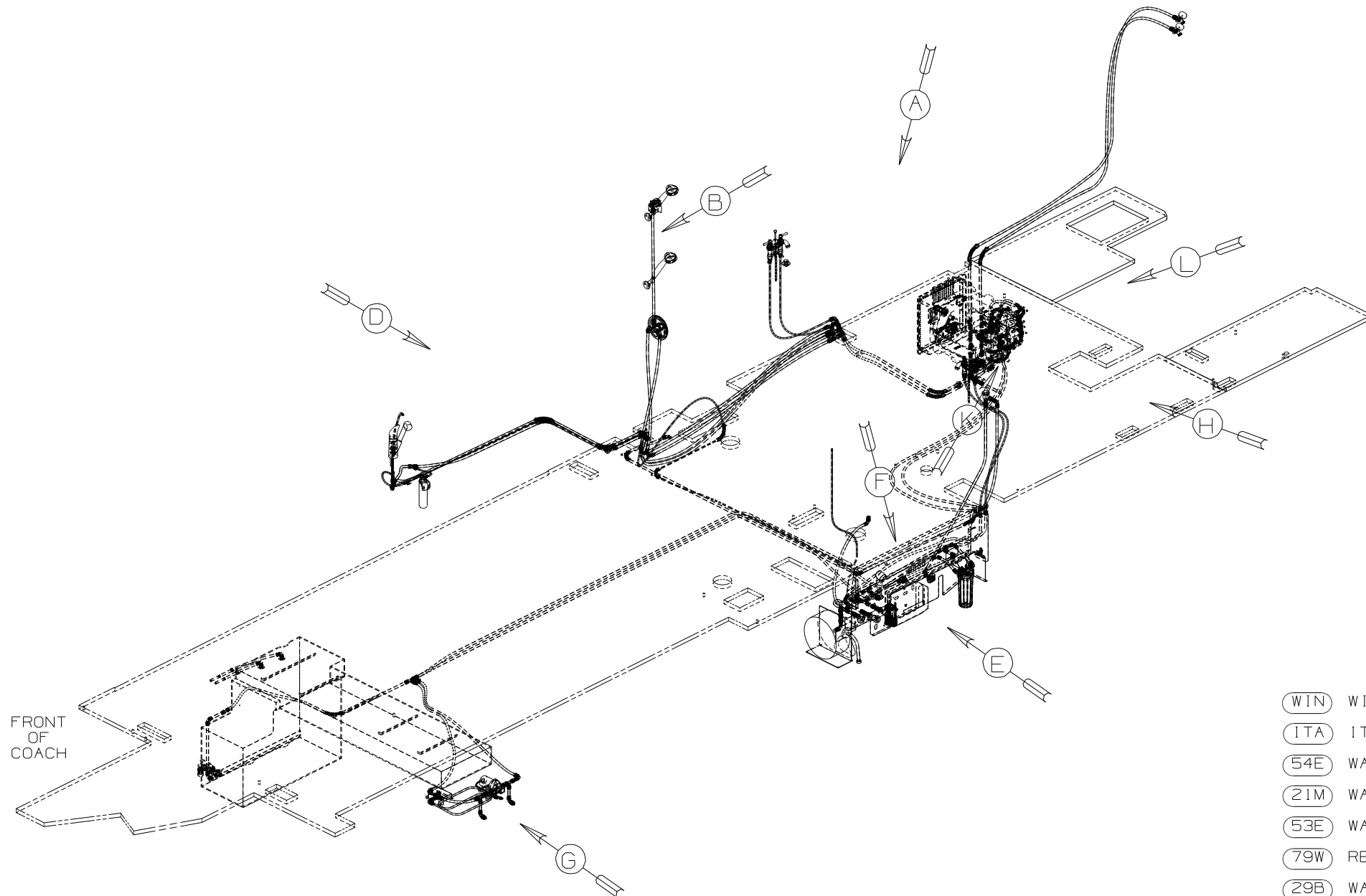


VALVE - SEWER HOSE  
144728-01-000  
CLAMP - HOSE  
62401-09-000

FIRST USED	08 S40KD	
TITLE	DO NOT SCALE DRAWING	
	DRAINAGE SYSTEM INSTL	
SHEET 4	PART NO 162874	REV

DWG NO	----
162879-01	(WIN)
162879-02	(ITA)

RELEASE	REV DATE	DWG NO
A		162879
REV ZONE	REVISION RECORD	DATE



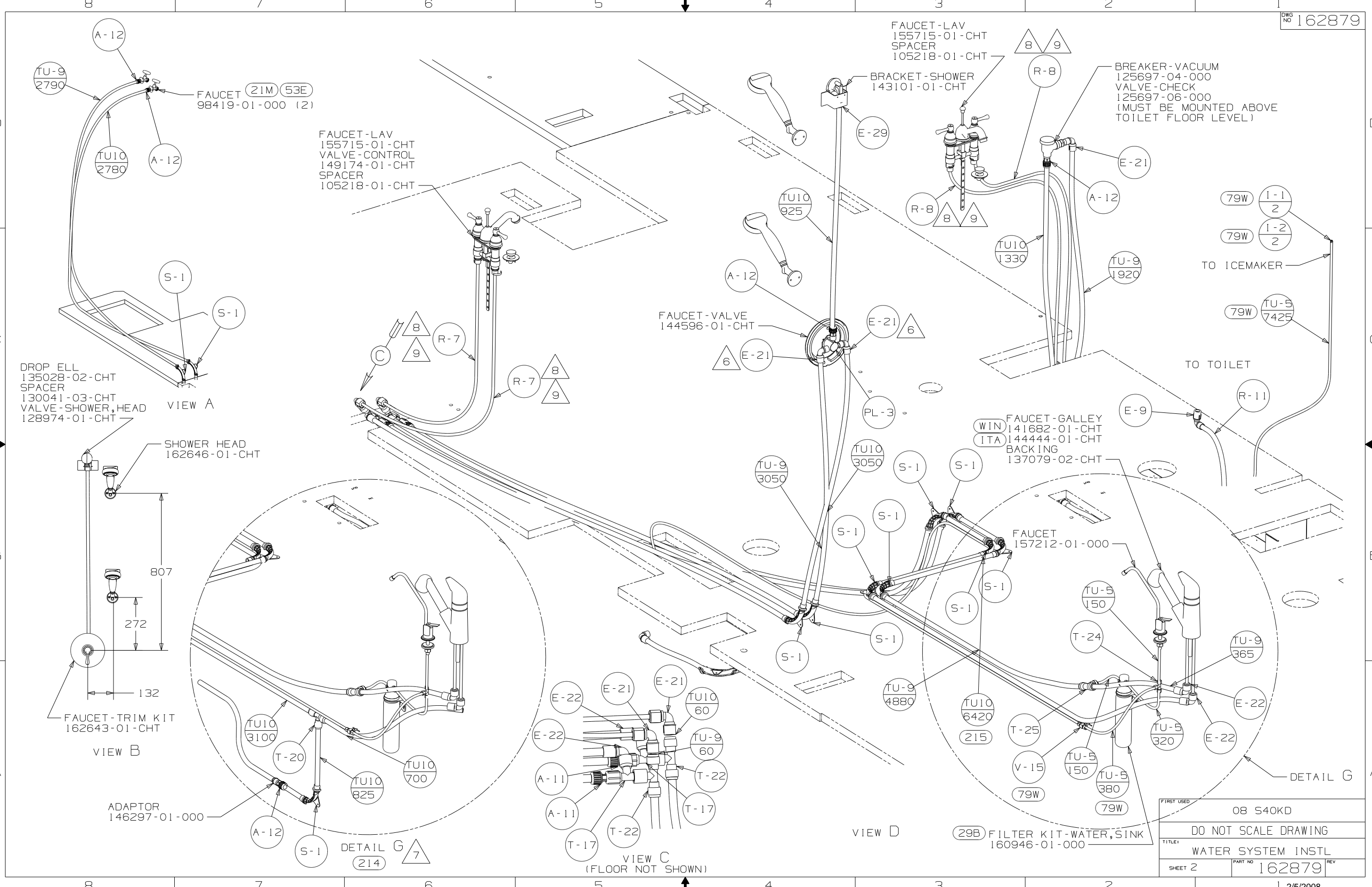
- (WIN) WINNEBAGO ONLY
- (ITA) ITASCA ONLY
- (54E) WASHER/DRYER
- (21M) WASHER/DRYER PREP
- (53E) WATER SYSTEM WINTERIZATION PKG
- (79W) REFRIGERATOR-4 DR W/ICEMAKER
- (29B) WATER PURIFICATION SYSTEM

- 9. TAPE FITTING TO TUBE BEFORE CABINET SET TO PREVENT FITTING FROM MOVING.
  - 8. LABEL HOT AND COLD SUPPLY TUBES.
  - 7. ADD TEFLON TAPE 10405-03-000.
  - 6. ADD TEFLON TAPE 10405-01-000.
  - 5. ADD TEFLON TAPE 10405-02-000.
  - 4. USED IN PLACE OF SUPPLIED SCREWS TO ATTACH BRACKET TO WALL.
3. ALL TUBING TO BE SECURED AT 1200 INTERVALS MAXIMUM WITH CLAMP 10495-01-000 AND SCREW G67-10-12B OR EQUIVALENT.
  2. TUBING TO BE INSTALLED WITH SUFFICIENT SLOPE TO PROVIDE DRAINAGE TO NEAREST VALVE.
  1. PLASTIC FITTINGS TO BE SEALED WITH SEALANT 84456-01-000.

NOTES:

<b>WINNEBAGO</b>		COPYRIGHT 2008 WINNEBAGO INDUSTRIES, INC.	
DFT	ORIG. DATE	ALL DIMENSIONS ARE IN MILLIMETERS	
CHKR		FIRST USED	
P.E.		08 S40KD	
M.E.		UNSPECIFIED TOLERANCES ARE:	
DSNR		MATERIAL:	
		WHOLE DIM (X)	: 3
		ONE-PLACE (X.X)	: 1.5
		TWO-PLACE (X.XX)	: 0.50
		ANGLE	: 1°
THIRD ANGLE PROJECTION		DO NOT SCALE DRAWING	
TITLE: WATER SYSTEM INSTL			
SHEET 1 OF 5	PART NO	162879	REV

(X-X)  
FOR  
WATER  
CALLOUTS  
SEE DWG NO  
116230-01-000



FAUCET (21M) (53E)  
98419-01-000 (2)

FAUCET-LAV  
155715-01-CHT  
VALVE-CONTROL  
149174-01-CHT  
SPACER  
105218-01-CHT

FAUCET-LAV  
155715-01-CHT  
SPACER  
105218-01-CHT

BRACKET-SHOWER  
143101-01-CHT

BREAKER-VACUUM  
125697-04-000  
VALVE-CHECK  
125697-06-000  
(MUST BE MOUNTED ABOVE  
TOILET FLOOR LEVEL)

DROP ELL  
135028-02-CHT  
SPACER  
130041-03-CHT  
VALVE-SHOWER, HEAD  
128974-01-CHT

VIEW A

SHOWER HEAD  
162646-01-CHT

FAUCET-VALVE  
144596-01-CHT

FAUCET-GALLEY  
141682-01-CHT  
144444-01-CHT  
BACKING  
137079-02-CHT

FAUCET  
157212-01-000

FAUCET-TRIM KIT  
162643-01-CHT

VIEW B

ADAPTOR  
146297-01-000

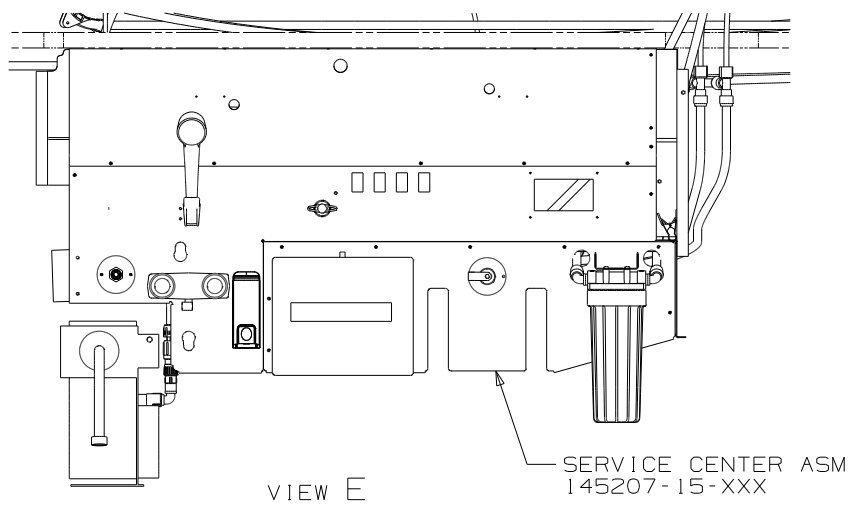
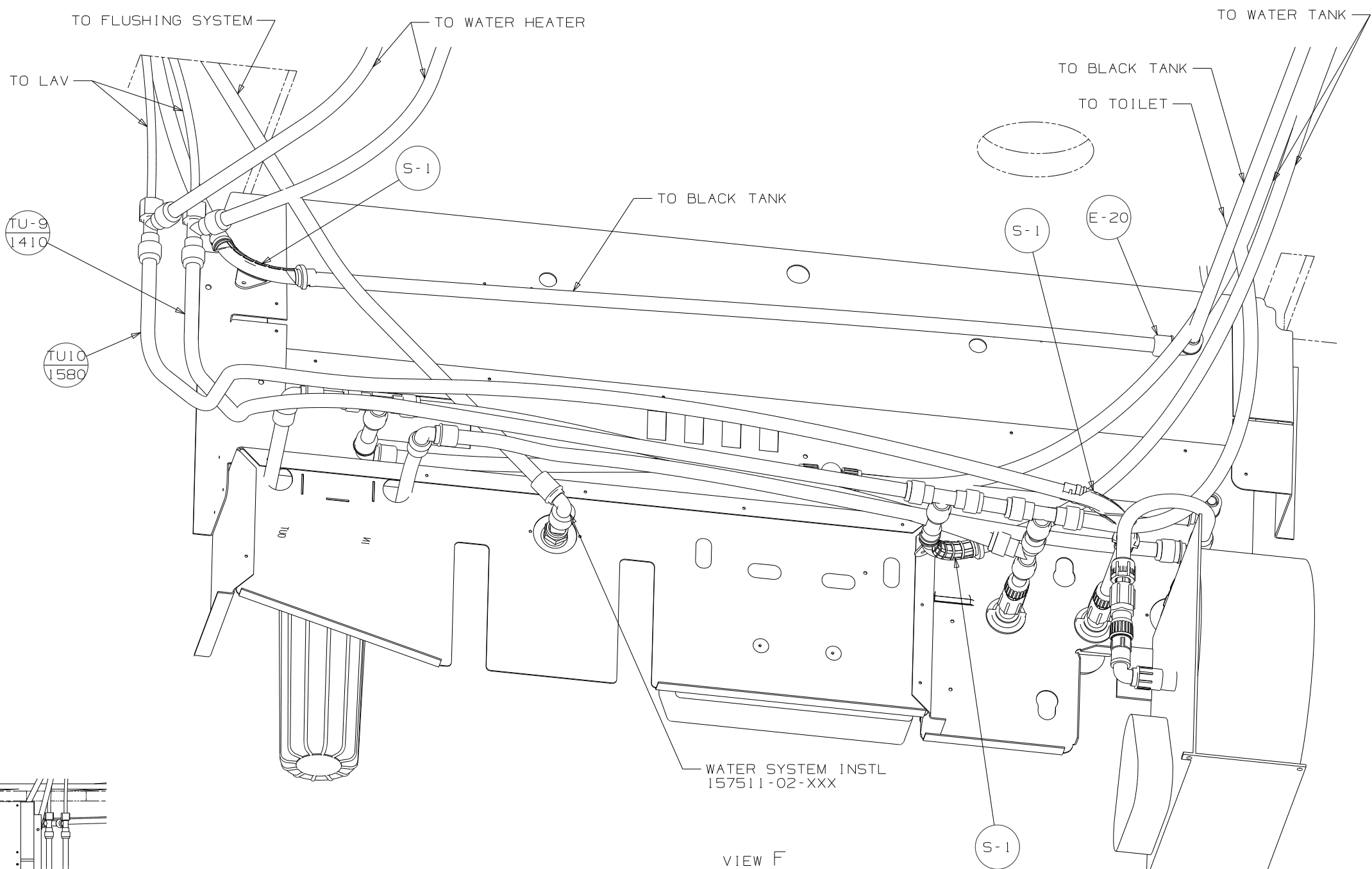
DETAIL G  
(214) (7)

VIEW C  
(FLOOR NOT SHOWN)

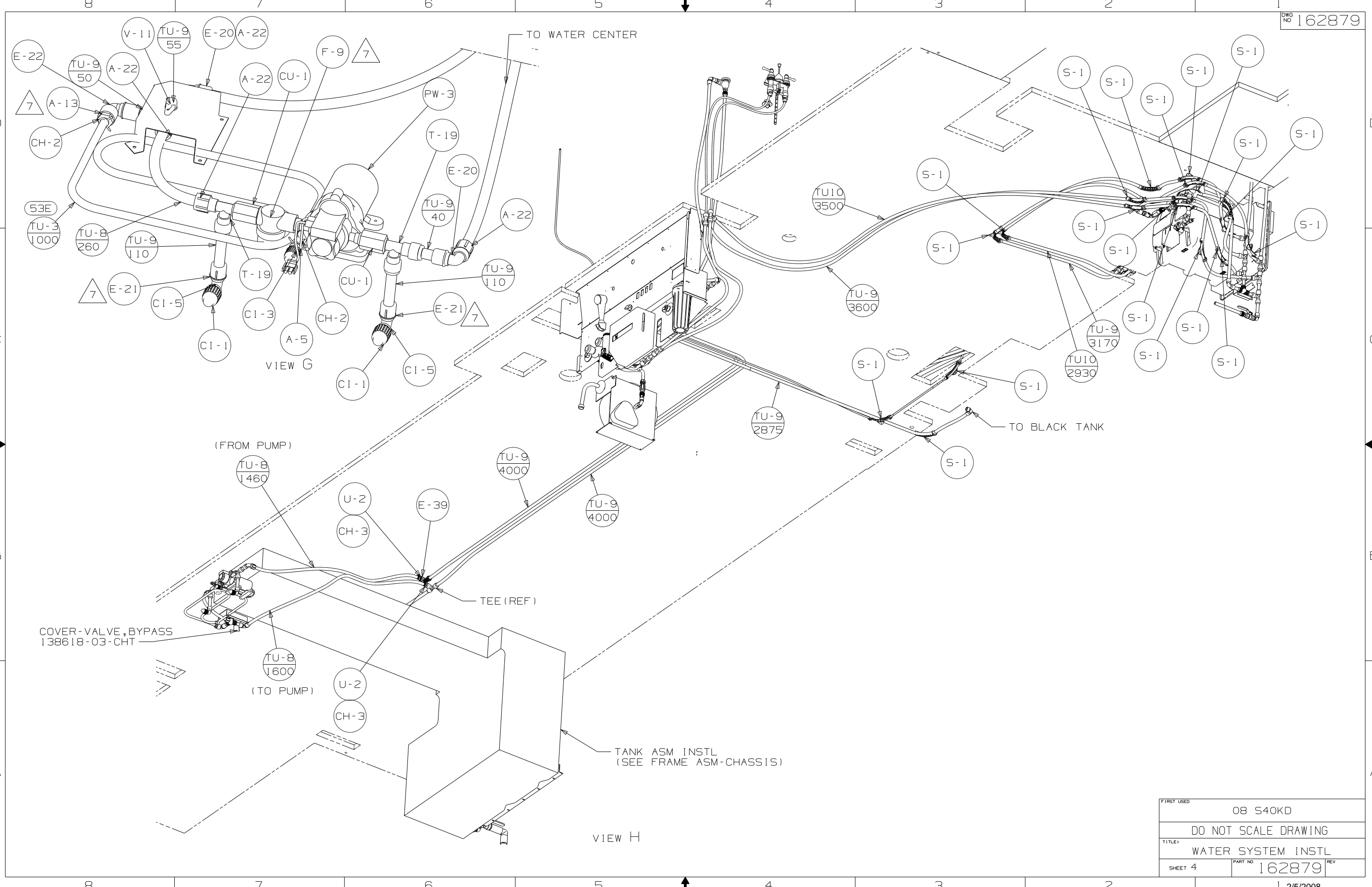
VIEW D

(29B) FILTER KIT-WATER, SINK  
160946-01-000

FIRST USED	OB S40KD
DO NOT SCALE DRAWING	
TITLE:	WATER SYSTEM INSTL
SHEET 2	PART NO 162879 REV
1/25/2008	

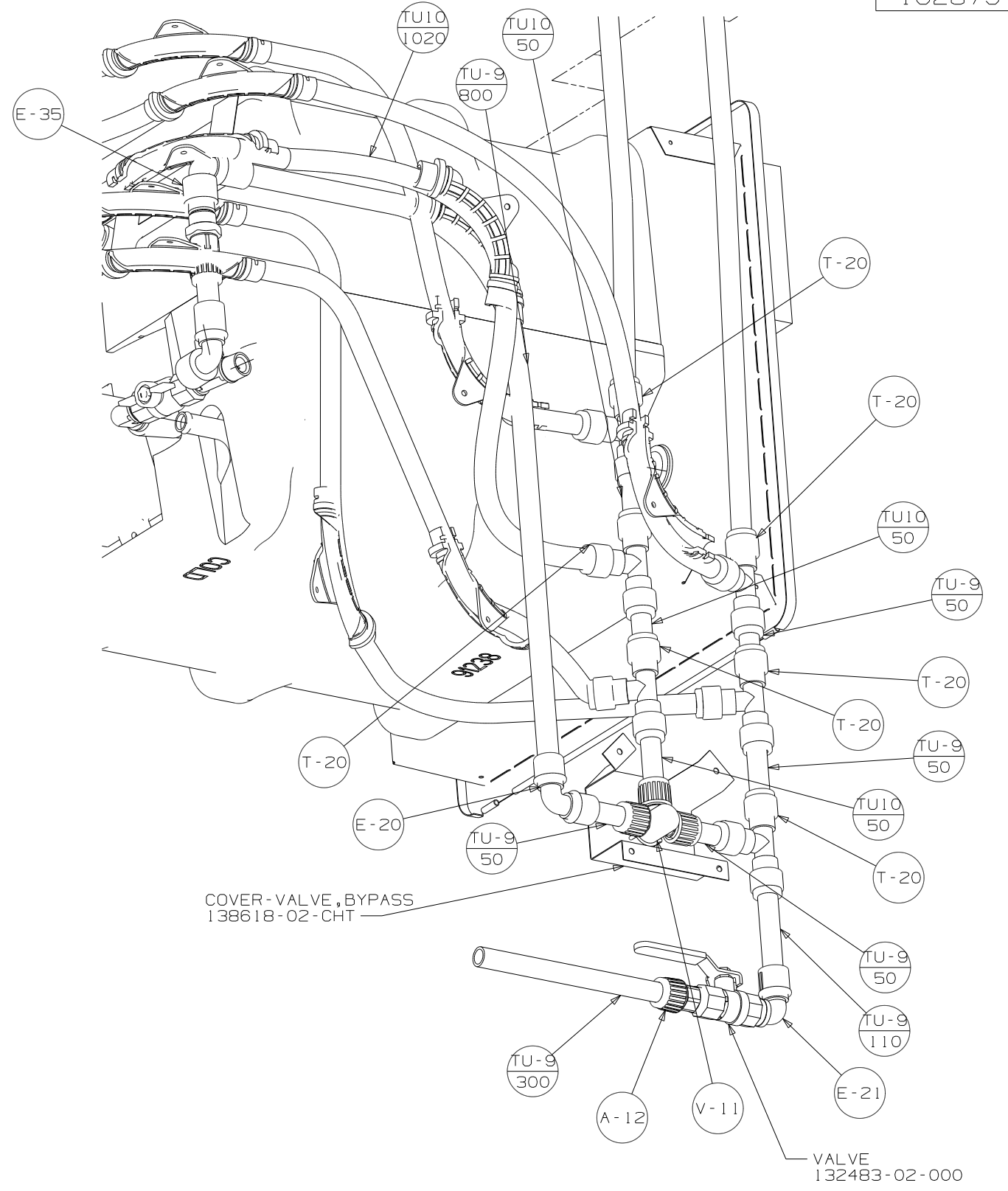
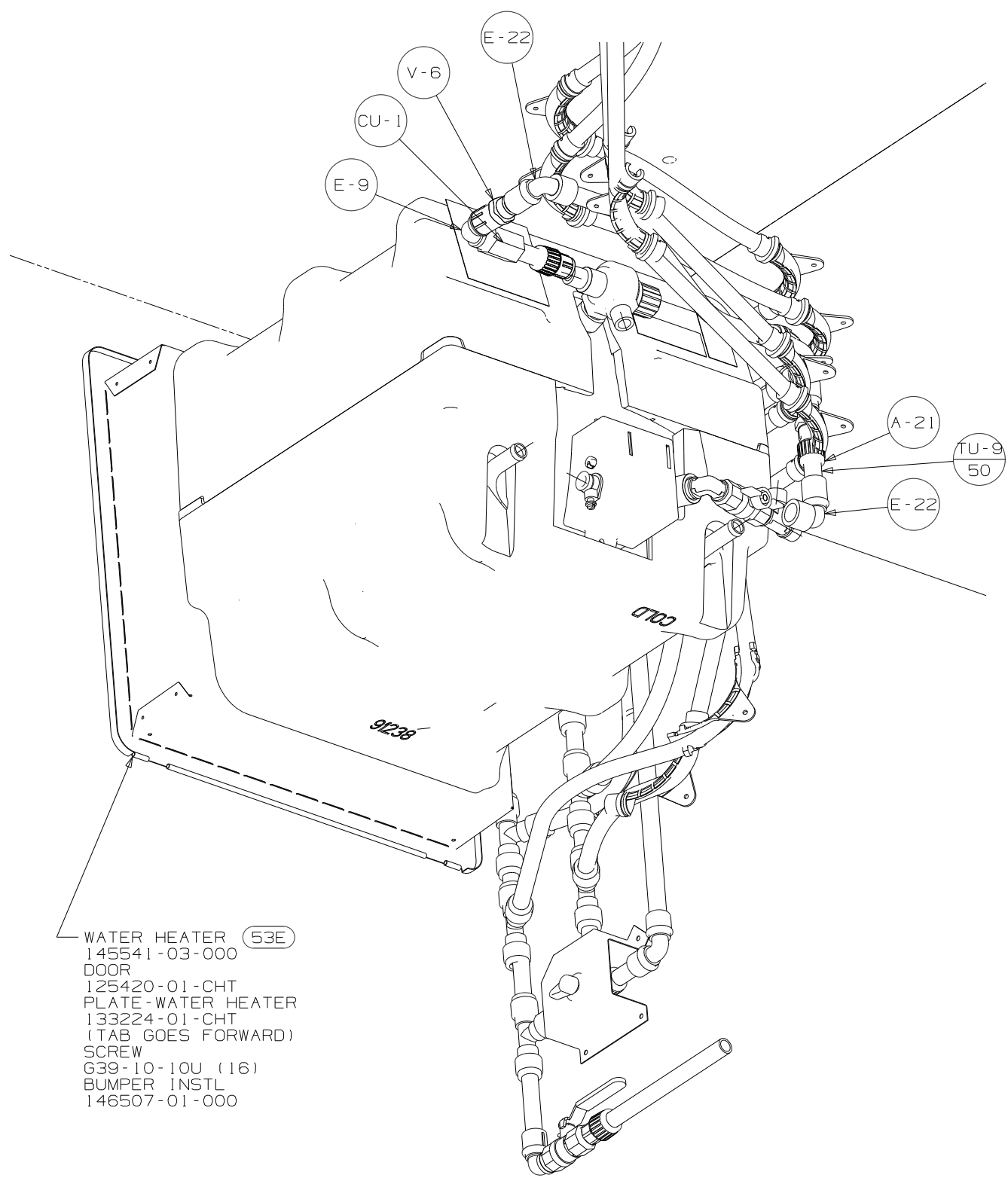


FIRST USED	OB S40KD		
TITLE	DO NOT SCALE DRAWING		
TITLE	WATER SYSTEM INSTL		
SHEET 3	PART NO	162879	REV



FIRST USED	OB S40KD	
TITLE:	DO NOT SCALE DRAWING	
SHEET 4	PART NO	162879
	REV	





FIRST USED	OB S40KD	
TITLE	DO NOT SCALE DRAWING	
TITLE	WATER SYSTEM INSTL	
SHEET 5	PART NO	162879
	REV	