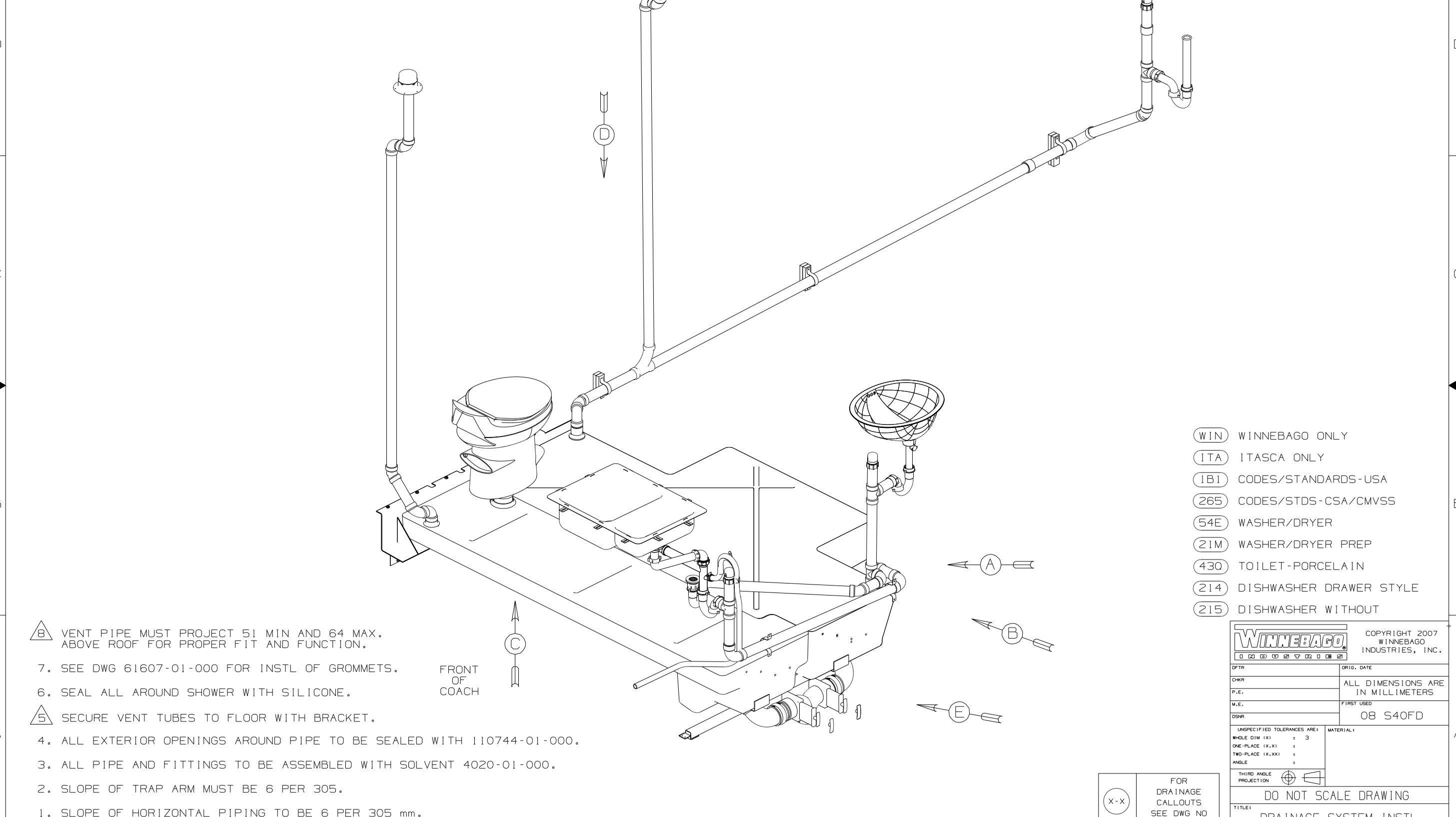


DWG NO	-----
160772-01	(WIN)
160772-02	(ITA)

RELEASE	REV DATE	DWG NO
A		160772
REV ZONE	REVISION RECORD	DATE
		DFTR-016



- (WIN) WINNEBAGO ONLY
- (ITA) ITASCA ONLY
- (IBI) CODES/STANDARDS-USA
- (265) CODES/STDS-CSA/CMVSS
- (54E) WASHER/DRYER
- (21M) WASHER/DRYER PREP
- (430) TOILET-PORCELAIN
- (214) DISHWASHER DRAWER STYLE
- (215) DISHWASHER WITHOUT

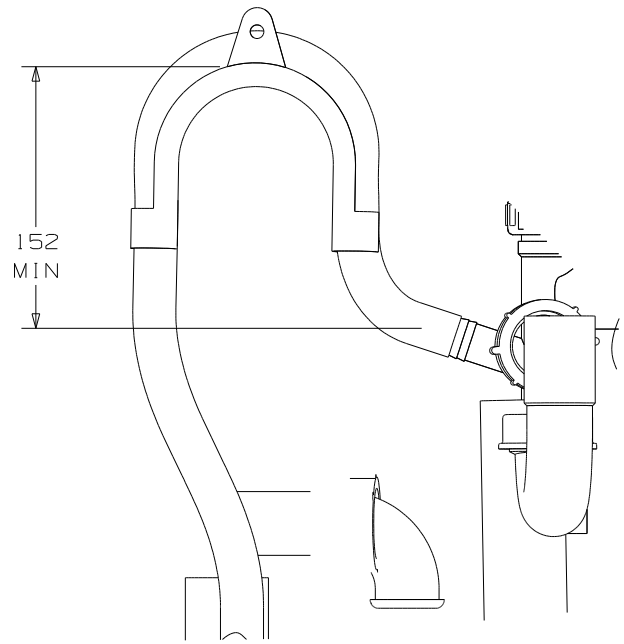
- 8 VENT PIPE MUST PROJECT 51 MIN AND 64 MAX. ABOVE ROOF FOR PROPER FIT AND FUNCTION.
7. SEE DWG 61607-01-000 FOR INSTL OF GROMMETS.
6. SEAL ALL AROUND SHOWER WITH SILICONE.
- 5 SECURE VENT TUBES TO FLOOR WITH BRACKET.
4. ALL EXTERIOR OPENINGS AROUND PIPE TO BE SEALED WITH 110744-01-000.
3. ALL PIPE AND FITTINGS TO BE ASSEMBLED WITH SOLVENT 4020-01-000.
2. SLOPE OF TRAP ARM MUST BE 6 PER 305.
1. SLOPE OF HORIZONTAL PIPING TO BE 6 PER 305 mm.

FRONT
OF
COACH

(X-X)
FOR
DRAINAGE
CALLOUTS
SEE DWG NO
116229-01-000

WINNEBAGO		COPYRIGHT 2007 WINNEBAGO INDUSTRIES, INC.	
DFTR	ORIG. DATE	ALL DIMENSIONS ARE IN MILLIMETERS	
CHKR		FIRST USED	
P.E.		08 S40FD	
M.E.		UNSPECIFIED TOLERANCES ARE:	
DSNR		MATERIAL:	
		WHOLE DIM (X) :	3
		ONE-PLACE (X.X) :	
		TWO-PLACE (X.XX) :	
		ANGLE :	
		THIRD ANGLE PROJECTION	
DO NOT SCALE DRAWING			
TITLE: DRAINAGE SYSTEM INSTL			
SHEET 1 OF 4	PART NO	160772	REV
REF:	12/5/2007		

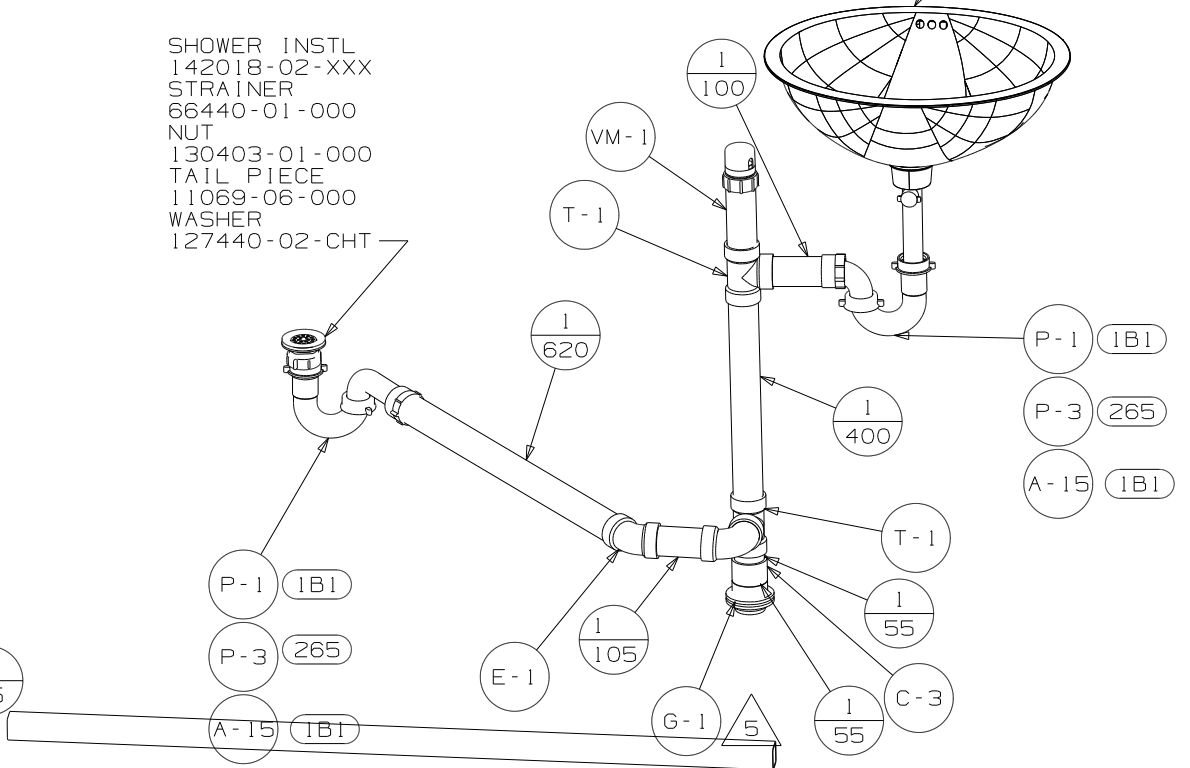
NOTES:



VIEW F

SINK-LAV, OVAL CHINA
 155318-01-CHT
 ANGLE
 153338-02-CHT (10)
 WASTE ASM-LAV
 151556-01-CHT

SHOWER INSTL
 142018-02-XXX
 STRAINER
 66440-01-000
 NUT
 130403-01-000
 TAIL PIECE
 11069-06-000
 WASHER
 127440-02-CHT



VIEW B

FIRST USED	07 S40FD	
TITLE	DO NOT SCALE DRAWING	
	DRAINAGE SYSTEM INSTL	
SHEET 2	PART NO	160772
	REV	

TAILPIECE
 11069-03-000
 NUT & WASHER
 (SUPPLIED W/STRAINER)

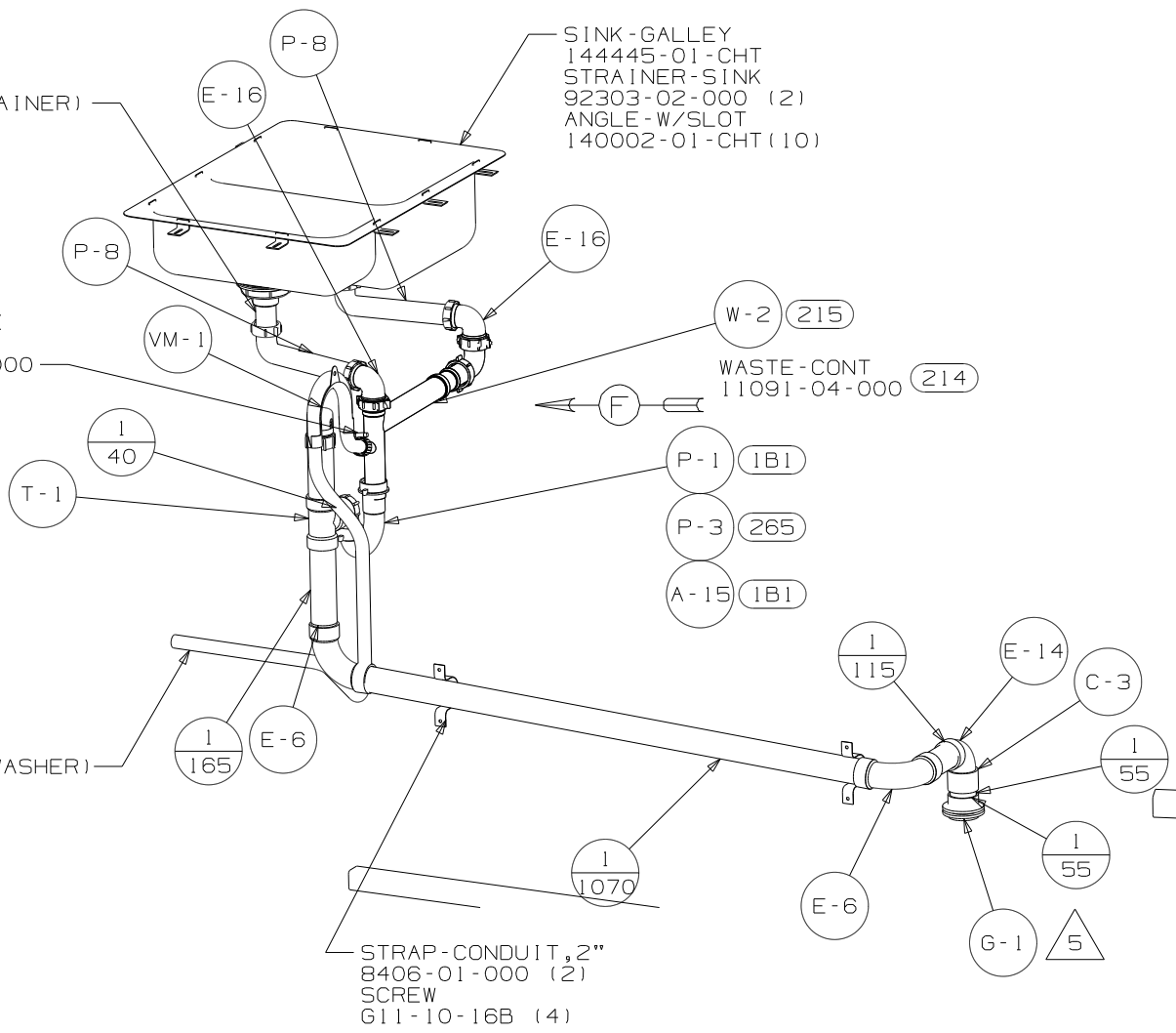
SINK-GALLEY
 144445-01-CHT
 STRAINER-SINK
 92303-02-000 (2)
 ANGLE-W/SLOT
 140002-01-CHT (10)

CLAMP-HOSE
 WORMGEAR
 62401-01-000

W-2 (215)
 WASTE-CONT
 11091-04-000 (214)

HOSE (214)
 (SUPPLIED WITH DISHWASHER)

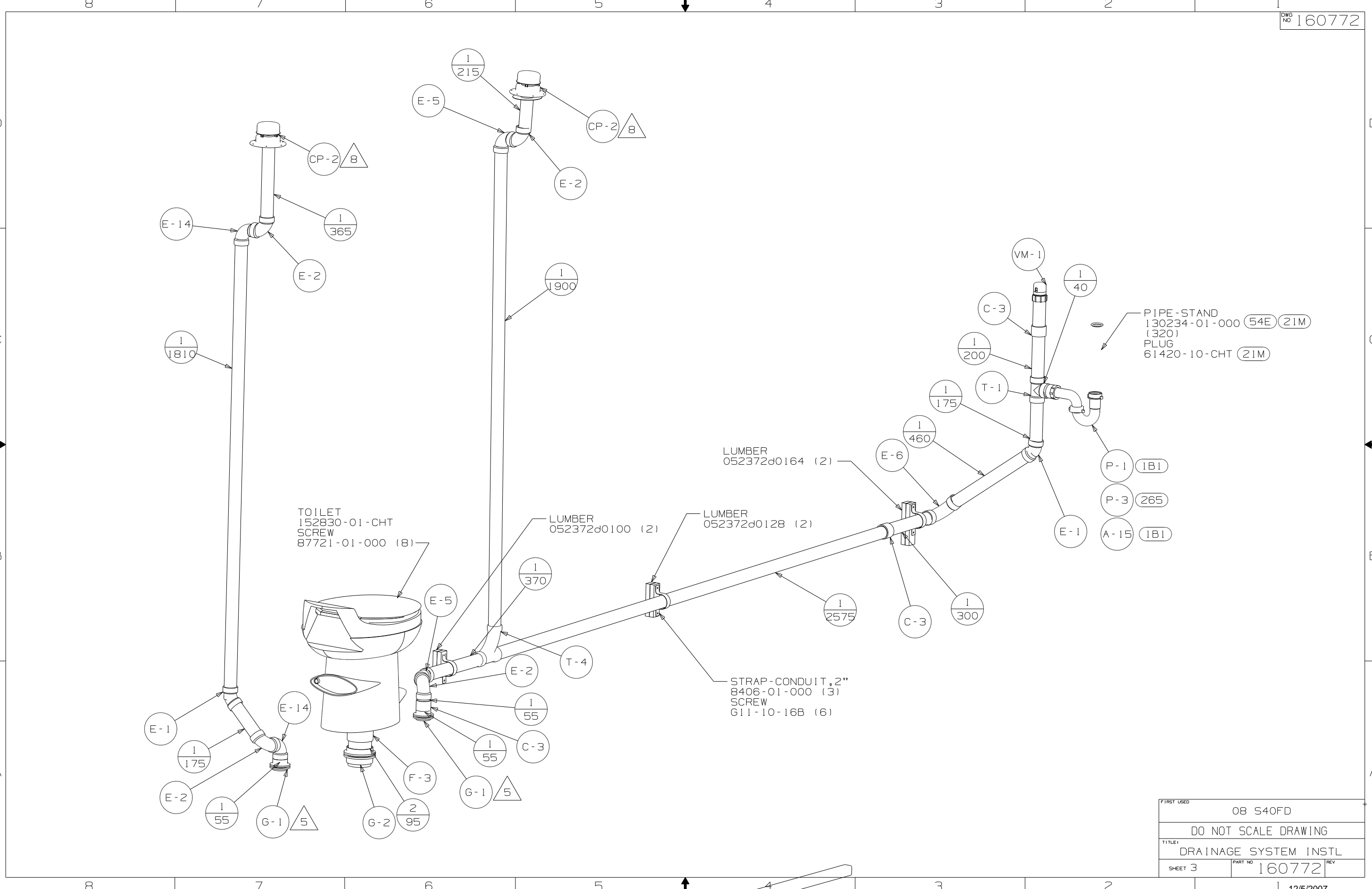
STRAP-CONDUIT, 2"
 8406-01-000 (2)
 SCREW
 G11-10-16B (4)



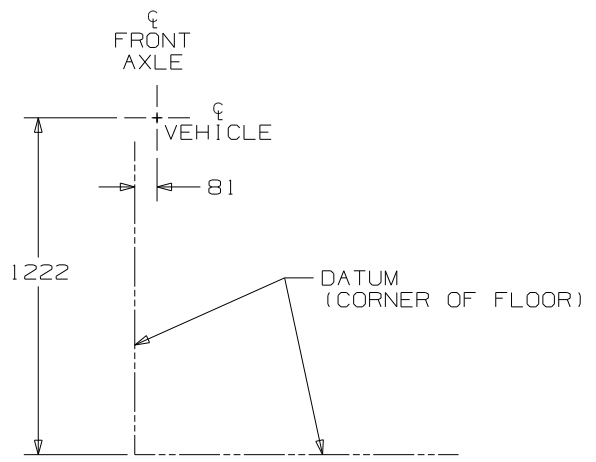
VIEW A

8 7 6 5 4 3 2 1

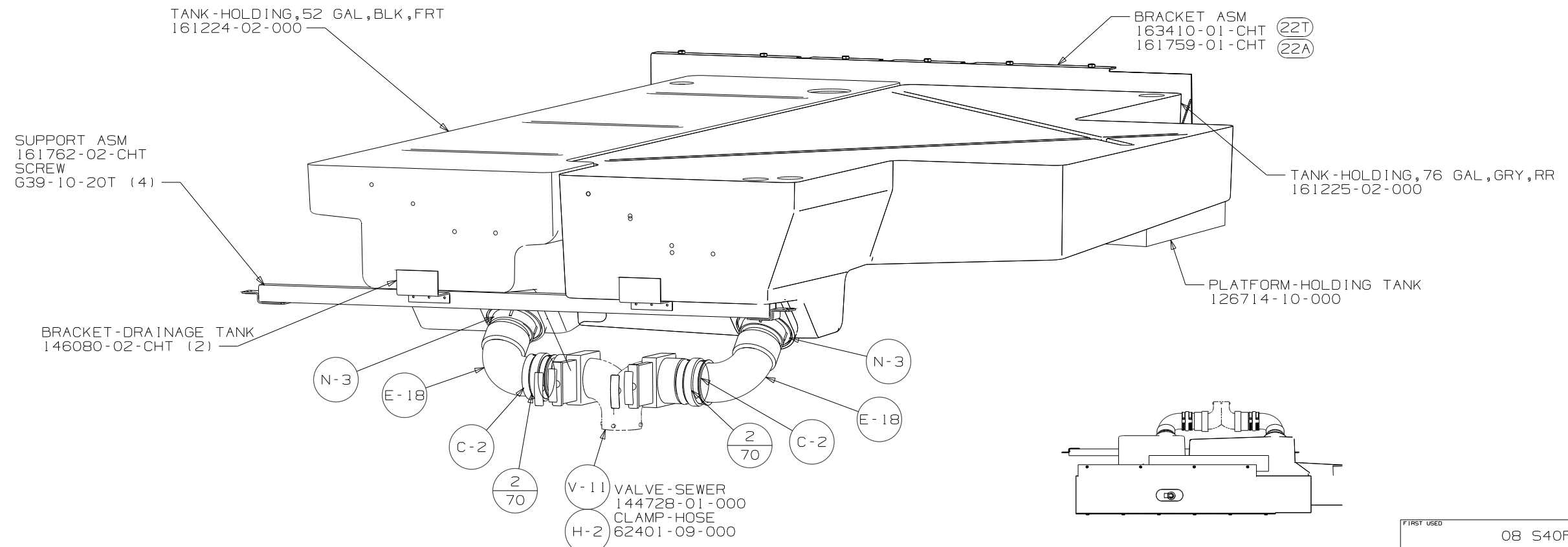
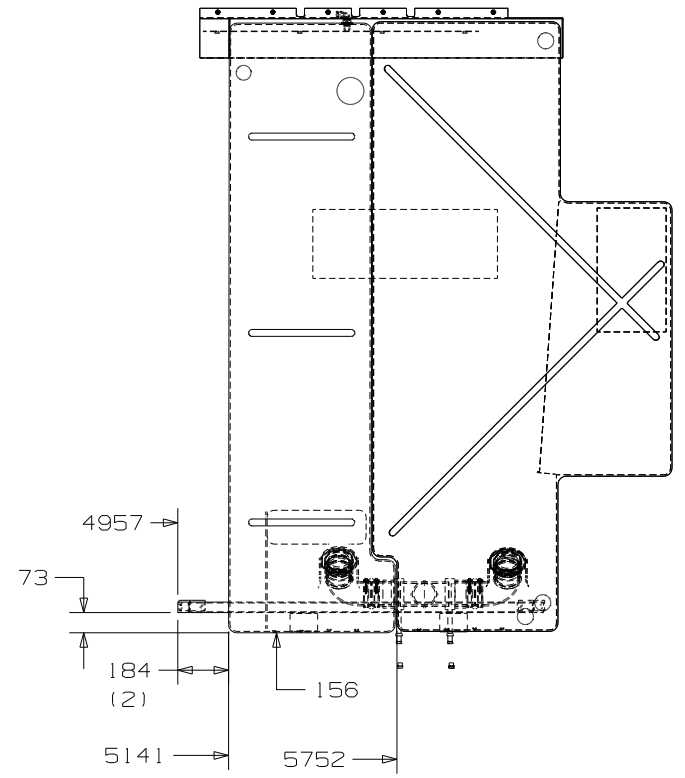
8 7 6 5 4 3 2 1



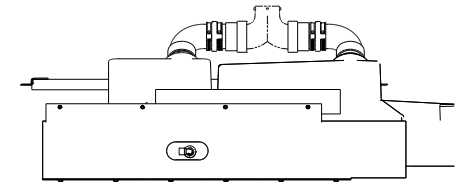
FIRST USED	08 S40FD	
TITLE	DO NOT SCALE DRAWING	
	DRAINAGE SYSTEM INSTL	
SHEET 3	PART NO	160772
	REV	1



VIEW D



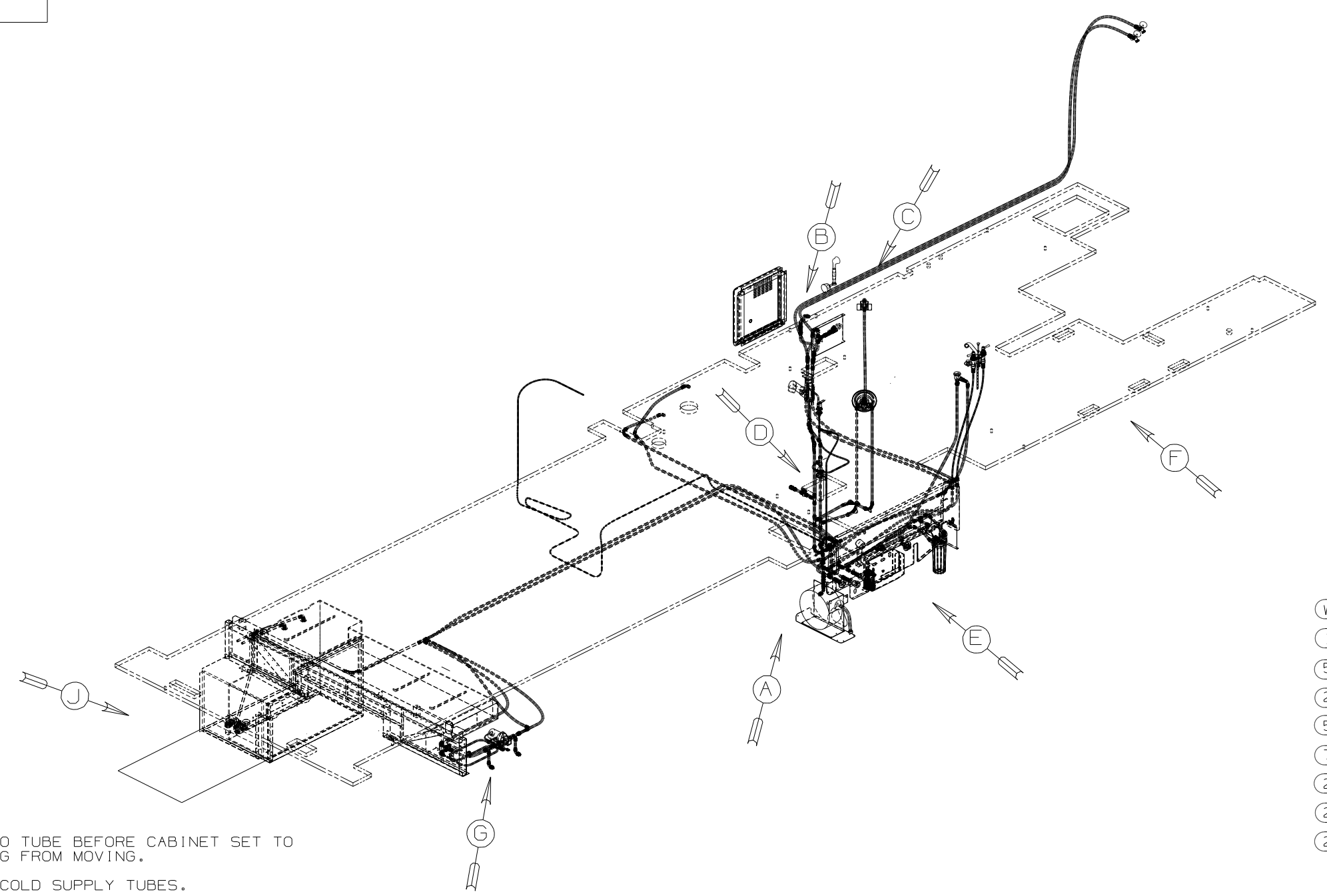
VIEW E



FIRST USED	08 S40FD	
TITLE	DO NOT SCALE DRAWING	
	DRAINAGE SYSTEM INSTL	
SHEET 4	PART NO	160772 REV
	12/5/2007	

DWG NO	--
160773-01	(WIN)
160773-02	(ITA)

RELEASE	REV DATE	DWG NO
A		160773
REV ZONE	REVISION RECORD	DATE DFR-ORIG



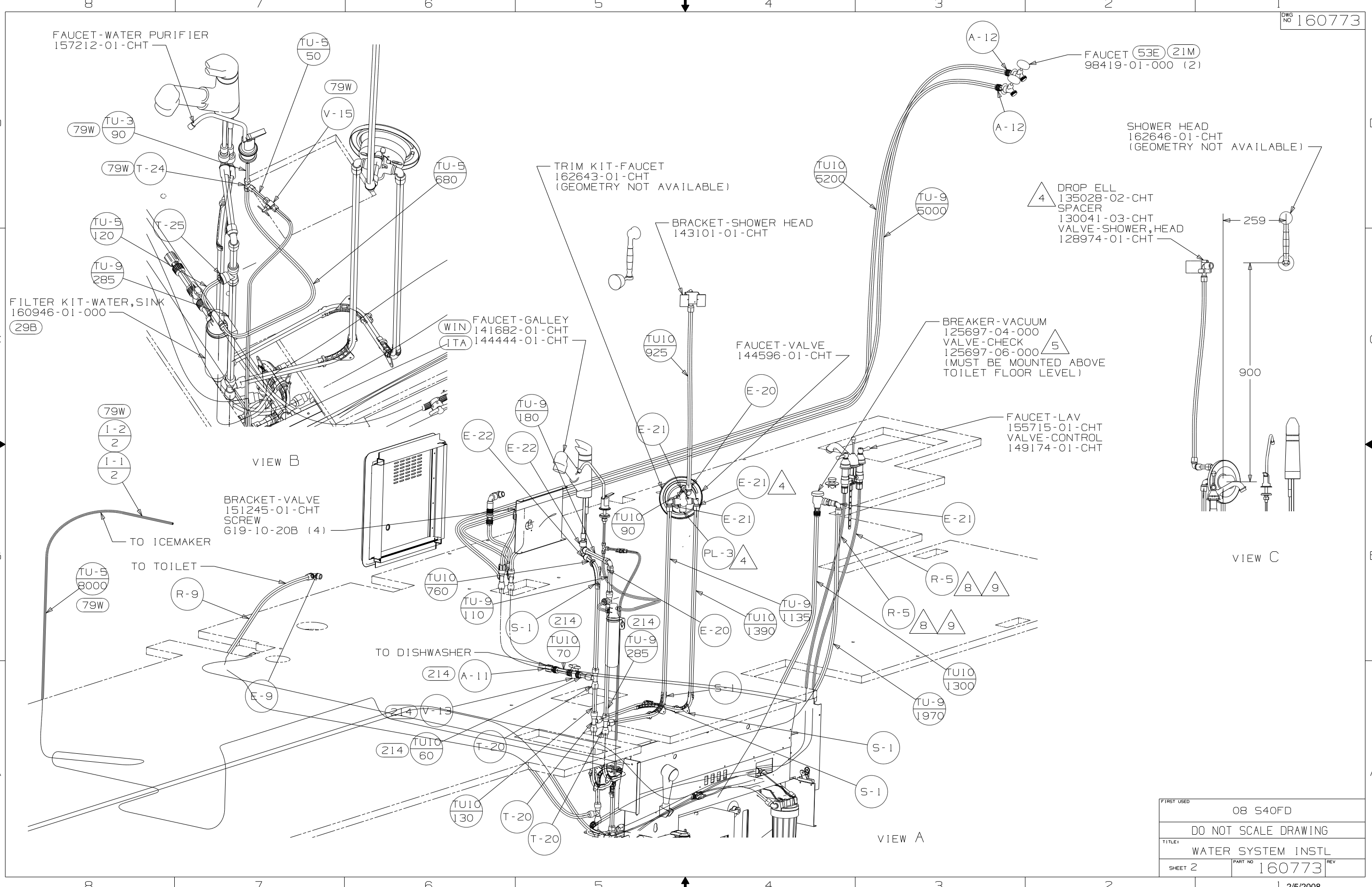
- (WIN) WINNEBAGO ONLY
- (ITA) ITASCA ONLY
- (54E) WASHER/DRYER
- (21M) WASHER/DRYER PREP
- (53E) WATER SYSTEM WINTERIZATION PKG
- (79W) REFRIGERATOR-4 DR W/ICEMAKER
- (29B) WATER PURIFICATION SYSTEM
- (214) DISHWASHER
- (215) DISHWASHER WITHOUT

- 9. TAPE FITTING TO TUBE BEFORE CABINET SET TO PREVENT FITTING FROM MOVING.
 - 8. LABEL HOT AND COLD SUPPLY TUBES.
 - 7. ADD PIPE WRAP (LADDER SCRAP 110157-02-000) INSULATION.
 - 6. ADD TEFLON TAPE 10405-03-000.
 - 5. ADD TEFLON TAPE 10405-02-000.
 - 4. ADD TEFLON TAPE 10405-01-000.
3. ALL TUBING TO BE SECURED AT 1200 INTERVALS MAXIMUM WITH CLAMP 10495-01-000 AND SCREW G67-10-12B OR EQUIVALENT.
 2. TUBING TO BE INSTALLED WITH SUFFICIENT SLOPE TO PROVIDE DRAINAGE TO NEAREST VALVE.
 1. PLASTIC FITTINGS TO BE SEALED WITH SEALANT 84456-01-000.

NOTES:

WINNEBAGO		COPYRIGHT 2008 WINNEBAGO INDUSTRIES, INC.	
DFT	ORIG. DATE	ALL DIMENSIONS ARE IN MILLIMETERS	
CHKR		FIRST USED	
P.E.		08 S40FD	
M.E.		UNSPECIFIED TOLERANCES ARE:	
DSNR		MATERIAL:	
		WHOLE DIM (X)	: 3
		ONE-PLACE (X.X)	: 1.5
		TWO-PLACE (X.XX)	: 0.50
		ANGLE	: 1°
THIRD ANGLE PROJECTION			
DO NOT SCALE DRAWING			
TITLE: WATER SYSTEM INSTL			
SHEET 1 OF 4	PART NO	160773	REV
REF:	1 2/5/2008		

(X-X)
FOR
WATER
CALLOUTS
SEE DWG NO
116230-01-000



FAUCET-WATER PURIFIER
157212-01-CHT

FAUCET (53E) (21M)
98419-01-000 (2)

SHOWER HEAD
162646-01-CHT
(GEOMETRY NOT AVAILABLE)

TRIM KIT-FAUCET
162643-01-CHT
(GEOMETRY NOT AVAILABLE)

BRACKET-SHOWER HEAD
143101-01-CHT

4 DROP ELL
135028-02-CHT
SPACER
130041-03-CHT
VALVE-SHOWER, HEAD
128974-01-CHT

FILTER KIT-WATER, SINK
160946-01-000
(29B)

FAUCET-GALLEY
WIN 141682-01-CHT
ITA 144444-01-CHT

FAUCET-VALVE
144596-01-CHT

BREAKER-VACUUM
125697-04-000
VALVE-CHECK
125697-06-000
(MUST BE MOUNTED ABOVE
TOILET FLOOR LEVEL)

FAUCET-LAV
155715-01-CHT
VALVE-CONTROL
149174-01-CHT

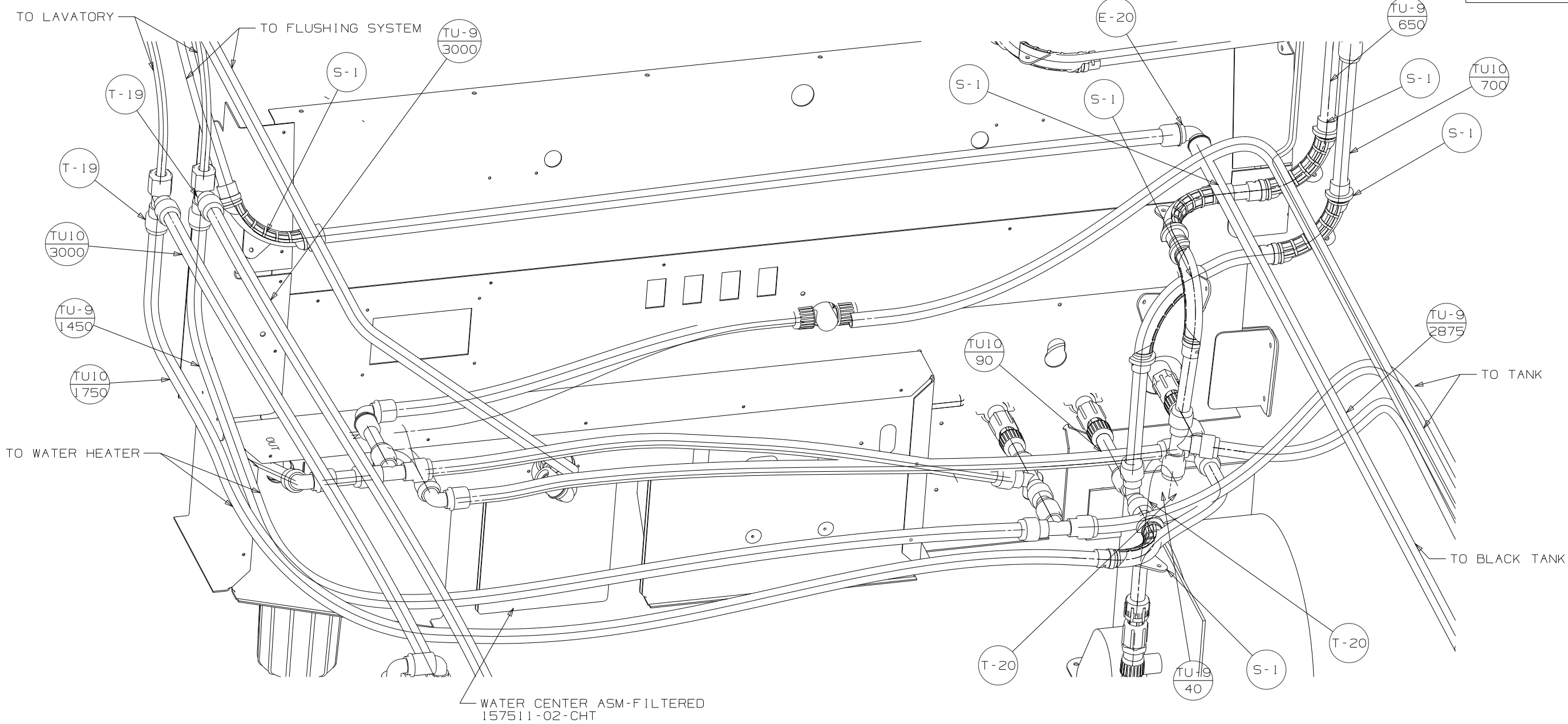
VIEW B

BRACKET-VALVE
151245-01-CHT
SCREW
G19-10-20B (4)

VIEW C

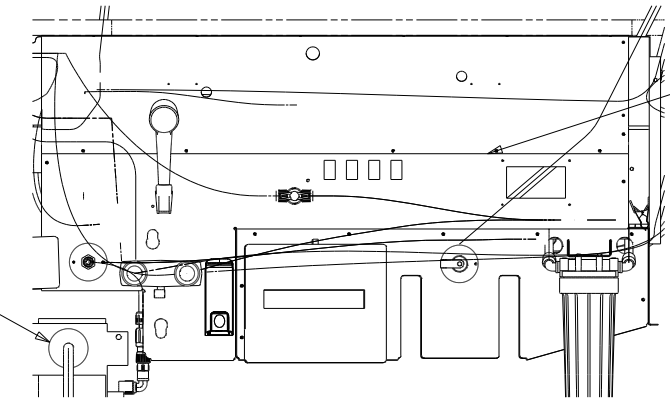
VIEW A

FIRST USED	OB S40FD		
TITLE:	DO NOT SCALE DRAWING		
	WATER SYSTEM INSTL		
SHEET 2	PART NO	160773	REV



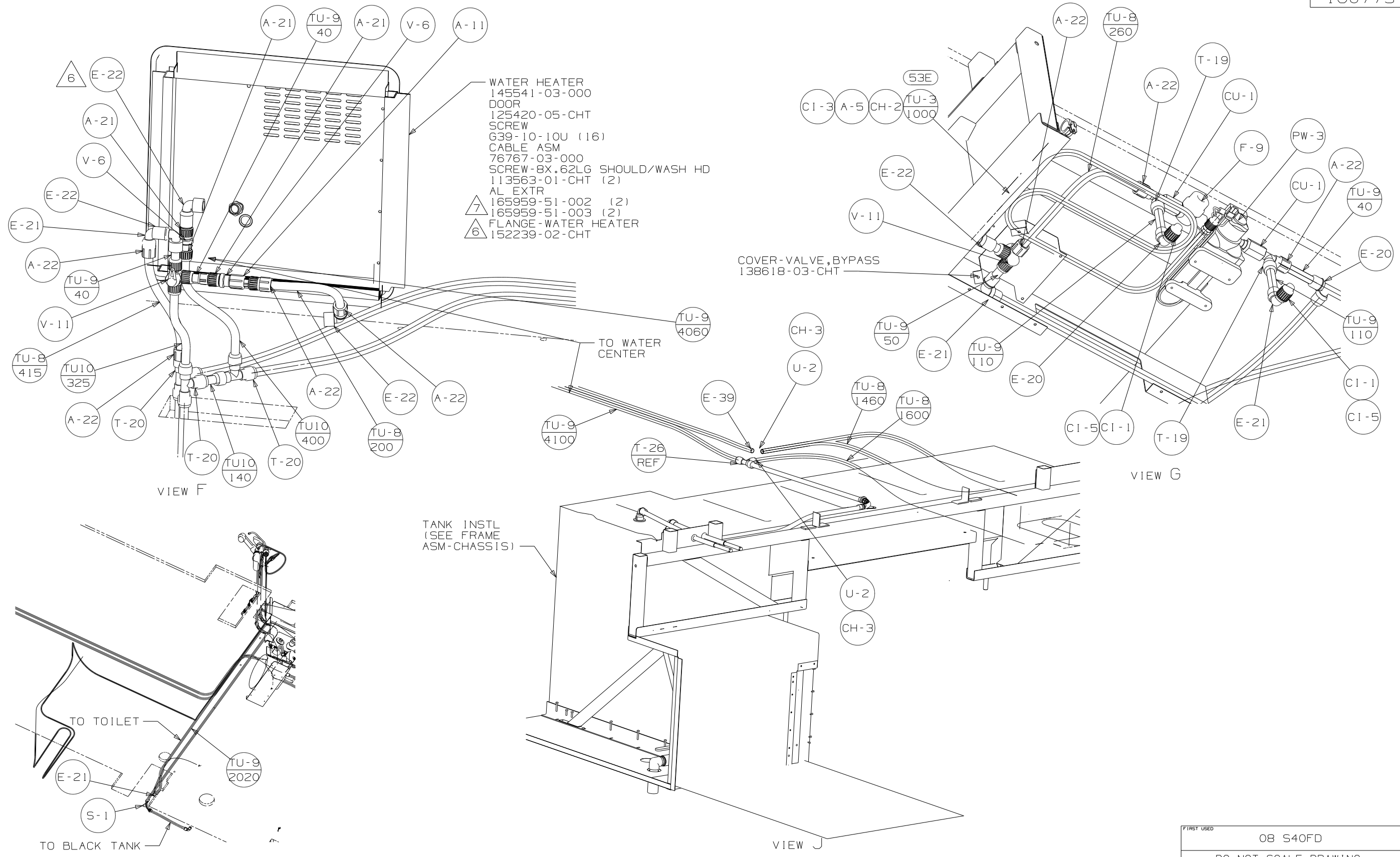
VIEW D

- HOSE - REEL, POWERED
142675-01-CHT
- BRACKET
145758-02-CHT
- RIVET
118626-01-CHT (4)
- SCREW
G39-10-20U (2)



VIEW E

FIRST USED	OB S40FD
TITLE	DO NOT SCALE DRAWING
TITLE	WATER SYSTEM INSTL
SHEET 3	PART NO 160773 REV



- WATER HEATER
145541-03-000
- DOOR
125420-05-CHT
- SCREW
G39-10-10U (16)
- CABLE ASM
76767-03-000
- SCREW-8X.62LG SHOULD/WASH HD
113563-01-CHT (2)
- AL EXTR
- △ 165959-51-002 (2)
- △ 165959-51-003 (2)
- △ FLANGE-WATER HEATER
152239-02-CHT

COVER-VALVE, BYPASS
138618-03-CHT

TO WATER CENTER

TANK INSTL
(SEE FRAME
ASM-CHASSIS)

TO TOILET

TO BLACK TANK

FIRST USED	OB S40FD		
TITLE	DO NOT SCALE DRAWING		
	WATER SYSTEM INSTL		
SHEET 4	PART NO	160773	REV
			1 2/5/2008