



**DANGER**

**Danger of electrical shock, burns or death.** Always remove all power sources before attempting any repair, service or diagnostic work. Power can be present from shore power, generator, inverter or battery. All power sources must be disabled and secured before performing any service.



**CAUTION**

If you lack the skills, tools or equipment to perform diagnostic or repair work leave such work to an authorized Winnebago Industries dealer or other qualified shop.

8

7

6

5

4

3

2

1

RELEASE	REV DATE	DWG NO	161659
REV ZONE	REVISION RECORD	DATE	DFTR-ORIG

R-SERIES

	R36LD	R40FD	R40KD	R40TD/R40WD
CABLE ASM (YEL) FROM BATTERY TO COACH SIDE OF AUX START SOLENOID	141417-52-030	141417-52-030	141417-52-030	141417-52-023
CABLE ASM (ORG) FROM COACH BATTERY TO INVERTER FUSE	141416-02-009	141416-02-009	141416-02-009	141416-02-009
CABLE ASM (ORG) FROM INVERTER FUSE TO INVERTER	141416-61-030	141416-61-030	141416-61-030	141416-61-067
CABLE ASM (BLK) FROM BATTERY TO INVERTER	133567-14-030	133567-14-030	133567-14-030	133567-14-067
CABLE ASM (BLK) FROM COACH BATTERY TO FRAME RAIL GND	133568-11-016	133568-11-016	133568-11-016	133568-11-016
CABLE ASM (BLK) FROM CHASSIS BATTERY TO FRAME RAIL GND	133568-11-013	133568-11-013	133568-11-013	133568-11-013
CABLE ASM (PUR) FROM BATTERY TO CHASSIS SIDE OF AUX START SOLENOID	141417-14-025	141417-14-030	141417-14-030	141417-14-025
CABLE ASM (BLU) FROM AUX START SOLENOID TO LEVELING SYSTEM POWER	141415-22-103	141415-22-113	141415-22-113	141415-22-113
CABLE ASM (GRN) FROM BAT DISC RELAY TO PASS THRU STUD	141416-42-110	141416-42-120	141416-42-120	141416-42-120
CABLE ASM (GRN) FROM PASS THRU STUD TO GENERATOR	141416-42-021	141416-42-021	141416-42-021	141416-42-021
CABLE ASM (BLK) FROM GENERATOR TO FRAME RAIL GROUND	133566-12-020	133566-12-020	133566-12-020	133566-12-020
CABLE ASM (RED) JUMPER BETWEEN POSITIVE POSTS ON COACH BATTERY	133568-01-003 (2)	133568-01-003 (2)	133568-01-003 (2)	133568-01-003 (2)
CABLE ASM (BLK) JUMPER BETWEEN NEGATIVE POSTS ON COACH BATTERY	133568-11-003 (2)	133568-11-003 (2)	133568-11-003 (2)	133568-11-003 (2)
CABLE ASM (RED) JUMPER BETWEEN POSITIVE POSTS IN LEFT FRONT COMPT	133568-01-002	133568-01-002	133568-01-002	133568-01-002
CABLE ASM-TEMPERATURE,BATTERY	148254-04-000	148254-04-000	148254-04-000	148254-06-000

- 1
- 2
- 3
- 2
- 3

S-SERIES

	S40FD	S40KD	S40TD
CABLE ASM (YEL) FROM BATTERY TO COACH SIDE OF AUX START SOLENOID	141417-52-030	141417-52-030	141417-52-023
CABLE ASM (ORG) FROM COACH BATTERY TO INVERTER FUSE	141416-02-009	141416-02-009	141416-02-009
CABLE ASM (ORG) FROM INVERTER FUSE TO INVERTER	141416-61-030	141416-61-030	141416-61-070
CABLE ASM (BLK) FROM BATTERY TO INVERTER	133567-14-030	133567-14-030	133567-14-070
CABLE ASM (BLK) FROM COACH BATTERY TO FRAME RAIL GND	133568-11-016	133568-11-016	133568-11-016
CABLE ASM (BLK) FROM CHASSIS BATTERY TO FRAME RAIL GND	133568-11-013	133568-11-013	133568-11-013
CABLE ASM (PUR) FROM BATTERY TO CHASSIS SIDE OF AUX START SOLENOID	141417-14-025	141417-14-025	141417-14-025
CABLE ASM (BLU) FROM AUX START SOLENOID TO LEVELING SYSTEM POWER	141415-22-113	141415-22-113	141415-22-113
CABLE ASM (GRN) FROM BAT DISC RELAY TO PASS THRU STUD	141416-42-120	141416-42-120	141416-42-120
CABLE ASM (GRN) FROM PASS THRU STUD TO GENERATOR	141416-42-025	141416-42-025	141416-42-025
CABLE ASM (BLK) FROM GENERATOR TO FRAME RAIL GROUND	133566-12-012	133566-12-012	133566-12-012
CABLE ASM (RED) JUMPER BETWEEN POSITIVE POSTS ON COACH BATTERY	133568-01-003 (2)	133568-01-003 (2)	133568-01-003 (2)
CABLE ASM (BLK) JUMPER BETWEEN NEGATIVE POSTS ON COACH BATTERY	133568-11-003 (2)	133568-11-003 (2)	133568-11-003 (2)
CABLE ASM (RED) JUMPER BETWEEN POSITIVE POSTS IN LEFT FRONT COMPT	133568-01-002	133568-01-002	133568-01-002
CABLE ASM-TEMPERATURE,BATTERY	148254-04-000	148254-04-000	148254-06-000

- 1
- 2
- 3
- 2
- 3

265 CODES/STANDARDS-CSA/CMVSS  
 1B1 CODES/STANDARDS USA  
 1B1 265

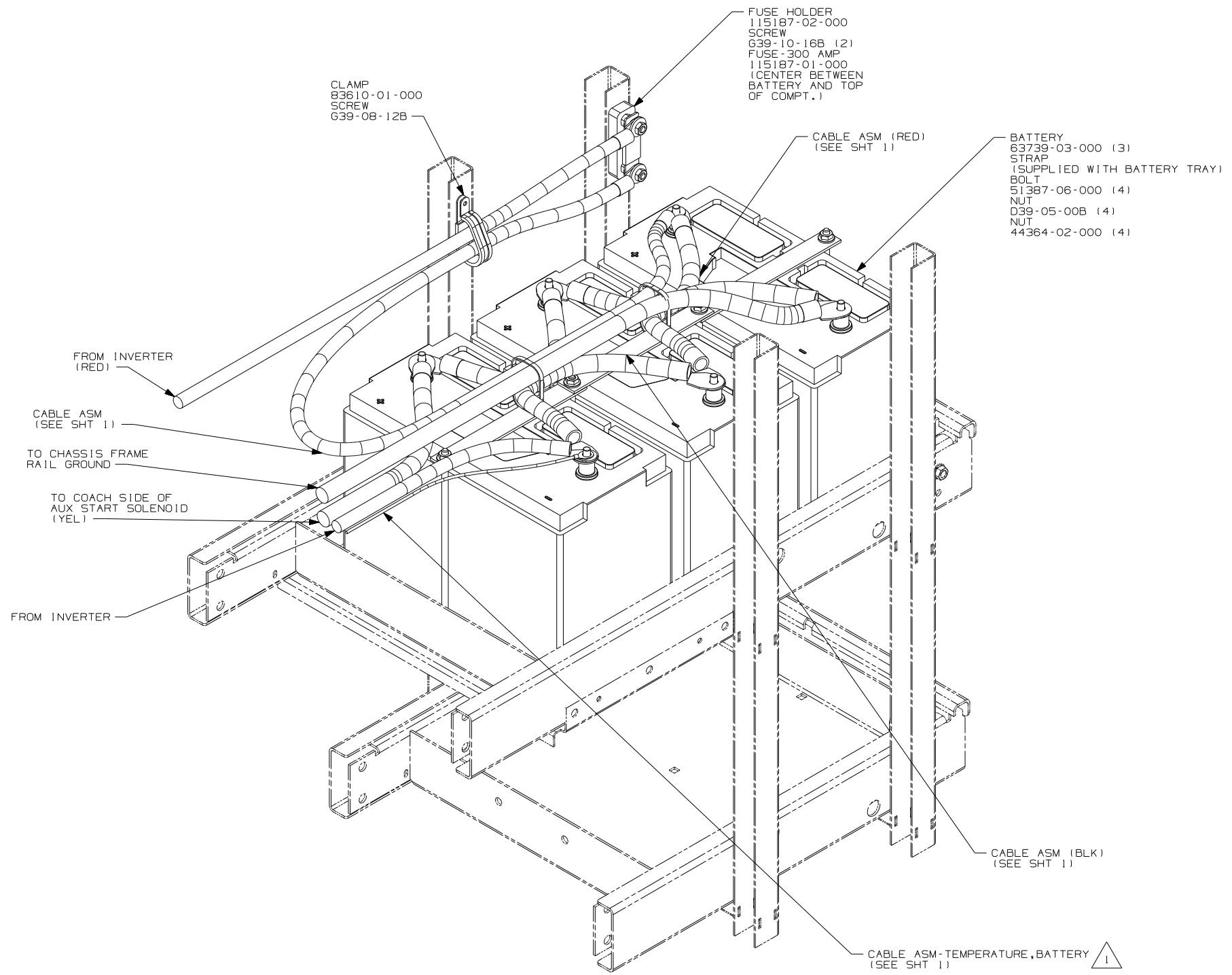
**WINNEBAGO** COPYRIGHT 2006 WINNEBAGO INDUSTRIES, INC.

DFTR	ORIG. DATE
CHKR	ALL DIMENSIONS ARE IN MILLIMETERS
P.E.	FIRST USED
M.E.	08 R&S-SERIES
DSNR	
UNSPECIFIED TOLERANCES ARE:	MATERIAL:
WHOLE DIM (X) : 3	
ONE-PLACE (X.X) : 1.5	
TWO-PLACE (X.XX) : 0.50	
ANGLE : 1°	
THIRD ANGLE PROJECTION	
DO NOT SCALE DRAWING	
TITLE: BATTERY INSTL	
SHEET 1 of 4	PART NO 161659 REV
REF:	1 1/24/2008

FOR ELECTRICAL TORQUE SPECIFICATIONS SEE DWG NO. 128783-01-000

FOR ELECTRICAL CALLOUTS SEE DWG NO. 121339-01-000

- NOTES:
- 3 SEE WIRING INSTL-FRONT END FOR ADDITIONAL INFORMATION.
  - 2 SEE WIRING INSTL-CHASSIS FOR ADDITIONAL INFORMATION.
  - 1 SEE LEVELING SYSTEM INSTL FOR ADDITIONAL INFORMATION.



COACH BATTERIES

1 CONNECT RING TERMINAL OF CABLE ASM-TEMP, BATTERY TO NEGATIVE POST AS SHOWN AND ROUTE CABLE WITH NEGATIVE BATTERY CABLE TO INVERTER.

NOTES:

FOR ELECTRICAL TORQUE SPECIFICATIONS SEE DWG NO. 128783-01-000

X-X FOR ELECTRICAL CALLOUTS SEE DWG NO. 121339-01-000

265 CODES/STANDARDS - CSA/CMVSS

1B1 CODES/STANDARDS USA

1B1 265

FIRST USED 08 R&S-SERIES

DO NOT SCALE DRAWING

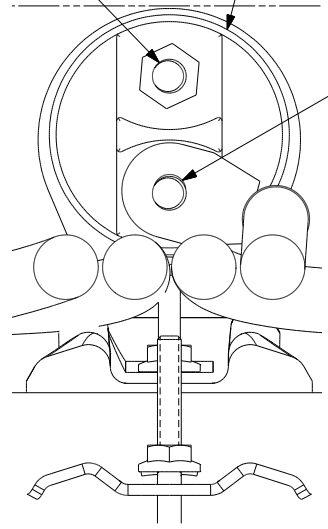
TITLE: BATTERY INSTL

SHEET 2 PART NO 161659 REV

CABLE TO POSITIVE POST ON BATTERY UJF FROM WIRE ASM-CHASSIS

BATTERY DISCONNECT SWITCH

CHASSIS SUPPLIED CABLES (PUR) BATTERY CABLE TO AUX START SOLENOID



VIEW CA

CHASSIS SUPPLIED POWER WIRES (RED)

1 CABLE ASM

CABLE ASM (TO CHASSIS FRAME RAIL GROUND)

CHASSIS SUPPLIED GND WIRES (BLK)

CA

TO CHASSIS FRAME RAIL GROUND

TO CHASSIS SIDE OF AUX START SOLENOID (PUR)

BATTERY DISCONNECT SWITCH BRACKET-BATTERY TIE DOWN (SUPPLIED WITH CHASSIS)  
BOLT 51387-06-000 (2)  
NUT D39-05-00B (2)  
NUT 44364-02-000 (2)

CABLE ASM 1

CHASSIS BATTERIES

265 CODES/STANDARDS-CSA/CMVSS

1B1 CODES/STANDARDS USA

1B1 265

FIRST USED 08 R&S-SERIES

DO NOT SCALE DRAWING

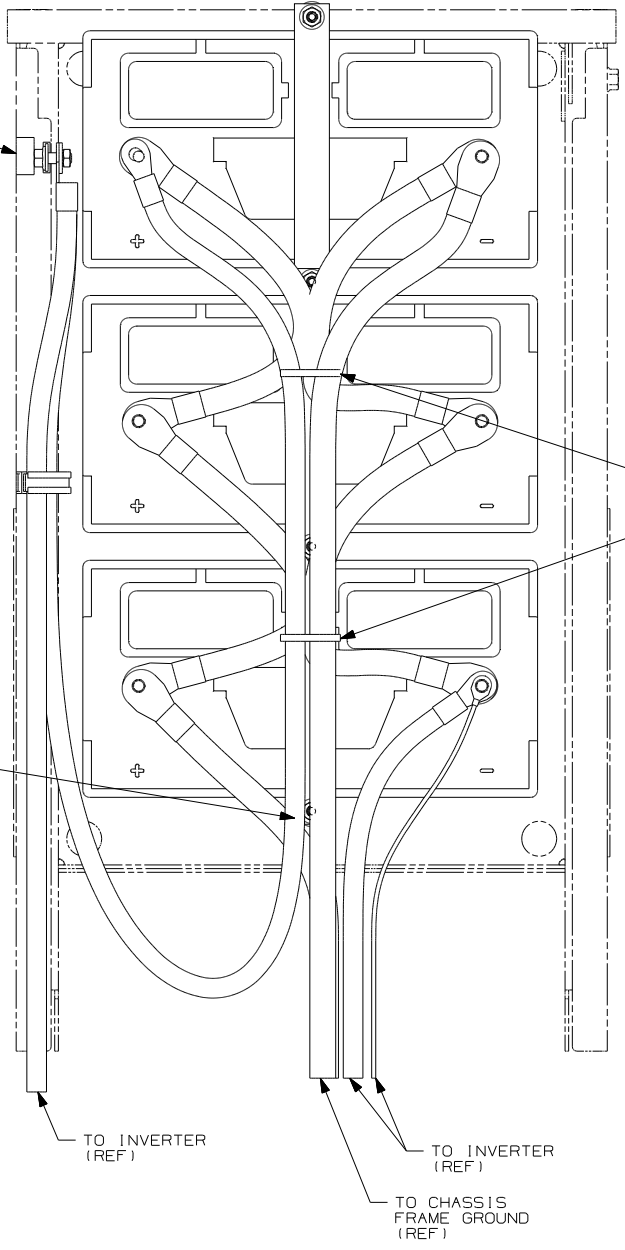
TITLE: BATTERY INSTL

SHEET 3 PART NO 161659 REV

FOR ELECTRICAL TORQUE SPECIFICATIONS SEE DWG NO. 128783-01-000

FOR ELECTRICAL CALLOUTS SEE DWG NO. 121339-01-000

NOTES: 1 SUPPLIED WITH CHASSIS.



COACH BATTERIES (TOP VIEW)

1 ROUTE CABLES SO BATTERY CAPS CAN BE REMOVED FOR SERVICE.  
USE WIRE TIE 008343-02-000 AS SHOWN AND AS NEEDED.

NOTES:

FOR ELECTRICAL TORQUE SPECIFICATIONS SEE DWG NO. 128783-01-000

X-X FOR ELECTRICAL CALLOUTS SEE DWG NO. 121339-01-000

265 CODES/STANDARDS - CSA/CMVSS

1B1 CODES/STANDARDS USA

1B1 265

FIRST USED 08 R&S-SERIES

DO NOT SCALE DRAWING

TITLE: BATTERY INSTL

SHEET 4	PART NO 161659	REV
---------	----------------	-----