

FRONT OF COACH

- 11 HOSE NEEDS TO BE LOOSE INSIDE OF CLAMP.
- 10 USE WIRE TIE 8343-03-000 (3) TO CLAMP DRAINAGE PIPE IN BRACKET.
- 9 LOCATE BETWEEN DRAINAGE HOLES IN UPPER FLOOR.
- 8. SECURE DRAINAGE PIPES TO CABINET USING WIRE TIE 108046-02-000, AND SCREW G67-10-12B AT INTERVALS OF NOT MORE THAN 4 FEET APART.
- 7 SECURE VENT PIPE TO FLOOR WITH CLAMP 62401-02-000 (2), SCREW G67-10-12B (2), BRACKET 136878-01-CHT (2).
- 6 VENT PIPE MUST PROJECT 51 MIN AND 64 MAX ABOVE ROOF FOR PROPER FIT AND FUNCTION. ADD S-1 (116666-01-CHT SEAL-VENT PIPE) AROUND PIPE ON ROOF BEFORE VENT CAP IS INSTALLED.
- 5. SEAL AROUND SHOWER WITH SILICONE.
- 4. ALL EXTERIOR OPENINGS AROUND PIPE TO BE SEALED WITH 131264-03-000.
- 3. ALL PIPE AND FITTINGS TO BE ASSEMBLED WITH SOLVENT 4020-01-000 (USA), 4020-02-000 (CAN)
- 2. SLOPE OF TRAP ARM MUST BE 6 PER 305 mm.
- 1. SLOPE OF HORIZONTAL PIPING TO BE MINIMUM OF 3 PER 305 mm.

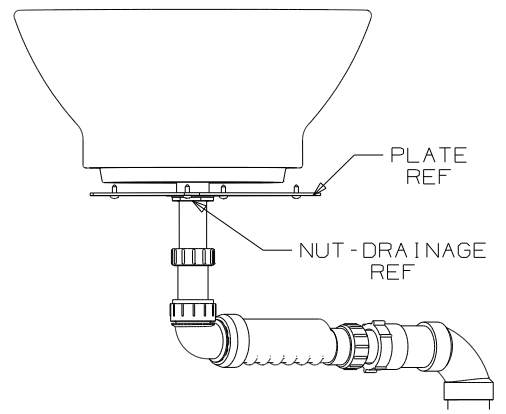
- 1B1 CODES/STANDARDS USA
- 265 CODES/STDS-CSA, CMVSS
- 215 DISHWASHER WITHOUT

<b>WINNEBAGO</b>		COPYRIGHT 2008 WINNEBAGO INDUSTRIES, INC.	
DFTR	ORIG. DATE	ALL DIMENSIONS ARE IN MILLIMETERS	
CHKR		FIRST USED	
P.E.		08 R40WD	
M.E.		UNSPECIFIED TOLERANCES ARE:	
DSNR		MATERIAL:	
		WHOLE DIM (X)	: 3
		ONE-PLACE (X.X)	: 1.5
		TWO-PLACE (X.XX)	: 0.50
		ANGLE	: 1°
		THIRD ANGLE PROJECTION	
DO NOT SCALE DRAWING			
TITLE: DRAINAGE SYSTEM INSTL			
SHEET 1 OF 4	PART NO	163538	REV
REF:	1 1/10/2008		

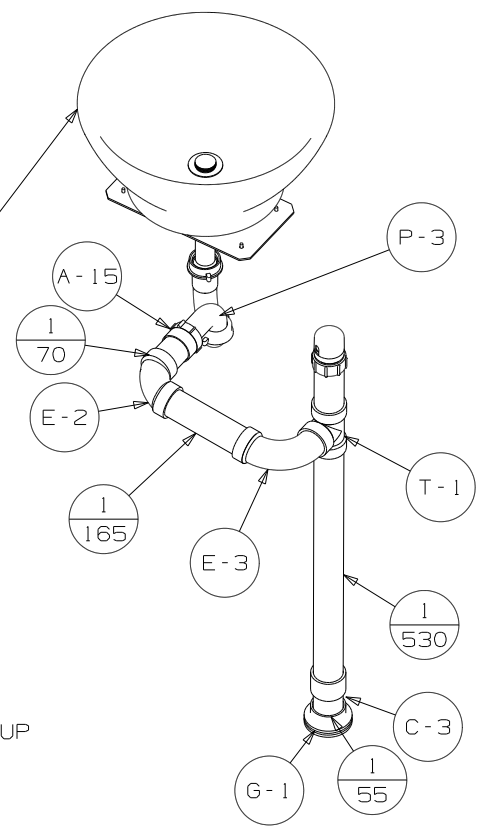
FOR DRAINAGE CALLOUTS SEE DWG NO 116229-01-000

NOTES:

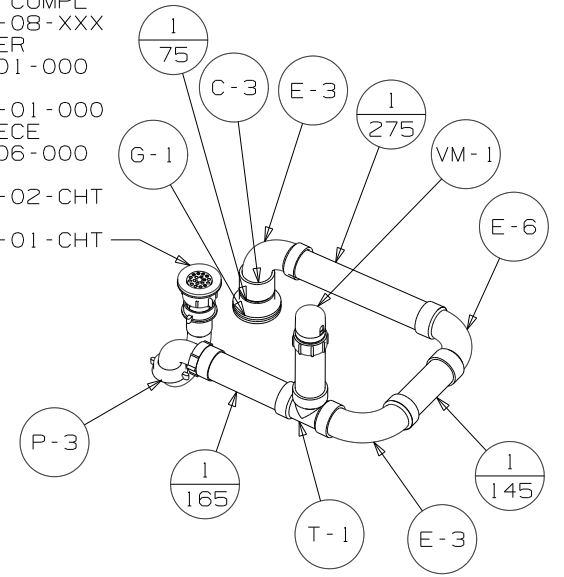
- SINK -LAVATORY, VESSEL
- 165310-01-CHT
- WASTE ASM-LAV,W/POP-UP
- 165753-01-CHT
- PLATE
- 165361-01-CHT
- SCREW
- G67-10-08B (4)
- NUT-DRAINAGE,SINK,1 1/2-28
- 167042-01-CHT



VIEW F

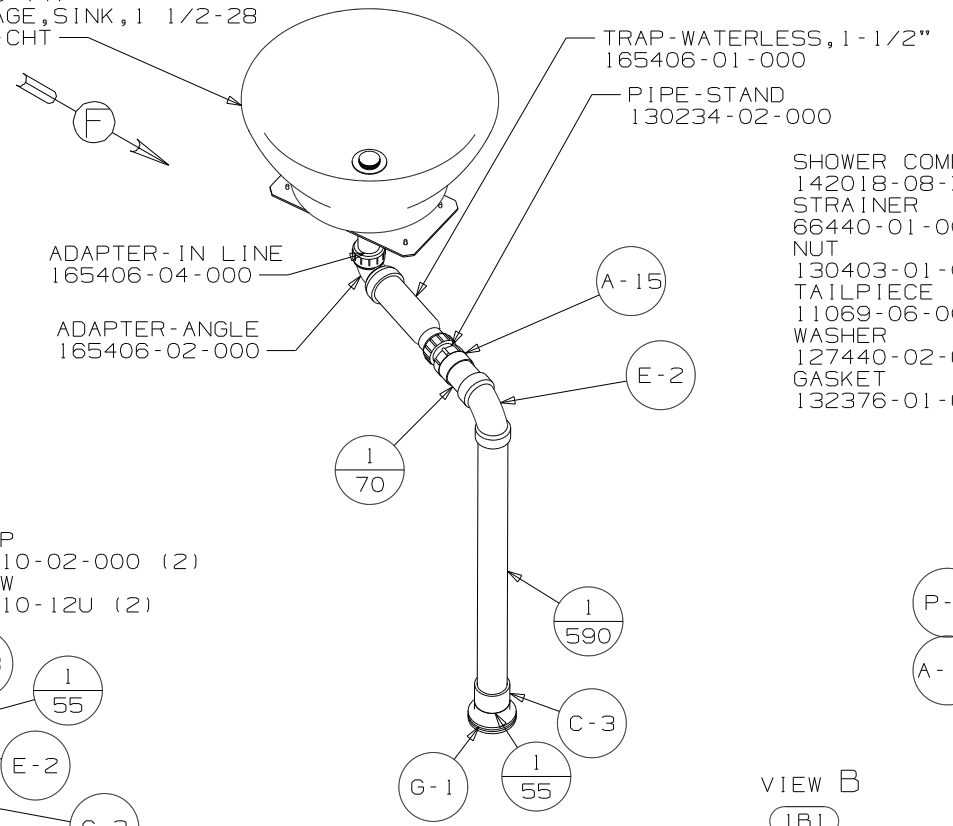


- SHOWER COMPL
- 142018-08-XXX
- STRAINER
- 66440-01-000
- NUT
- 130403-01-000
- TAILPIECE
- 11069-06-000
- WASHER
- 127440-02-CHT
- GASKET
- 132376-01-CHT



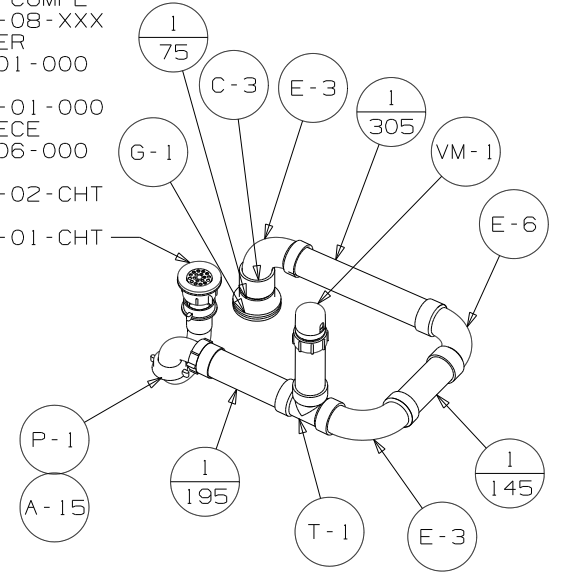
VIEW B (265)

- SINK-LAVATORY, VESSEL
- 165310-01-CHT
- WASTE ASM-LAV,W/POP-UP
- 165753-01-CHT
- PLATE
- 165361-01-CHT
- SCREW
- G67-10-08B (4)
- NUT-DRAINAGE,SINK,1 1/2-28
- 167042-01-CHT

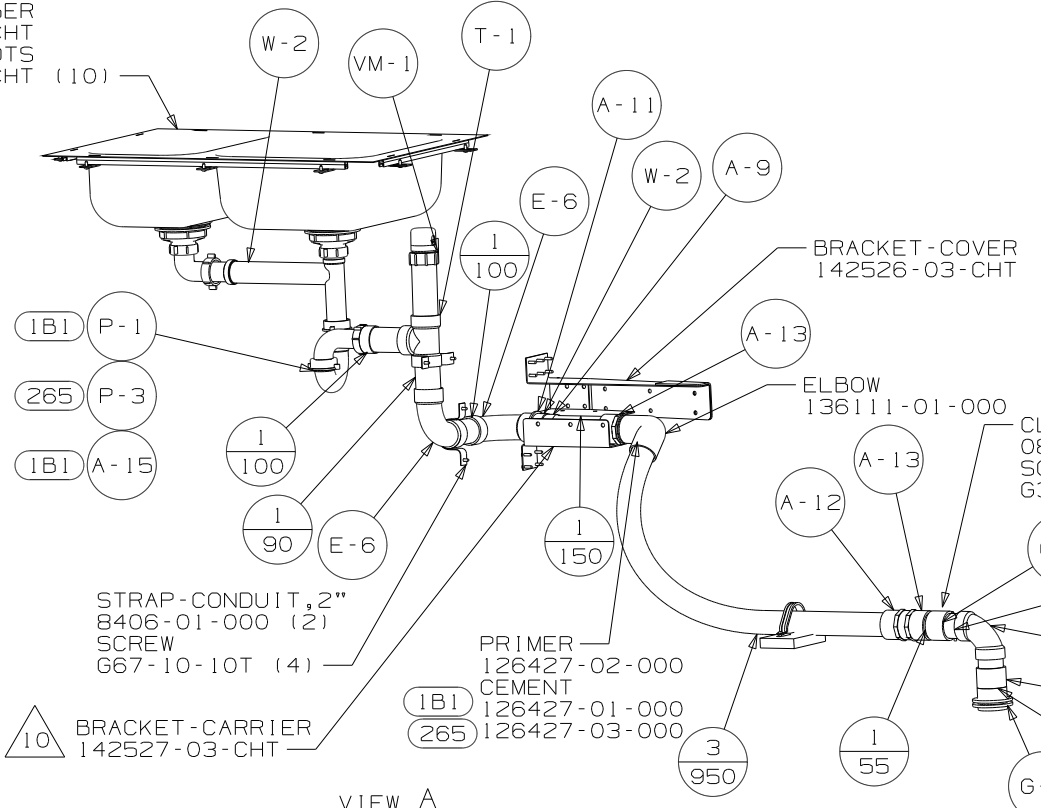


VIEW B (1B1)

- SHOWER COMPL
- 142018-08-XXX
- STRAINER
- 66440-01-000
- NUT
- 130403-01-000
- TAILPIECE
- 11069-06-000
- WASHER
- 127440-02-CHT
- GASKET
- 132376-01-CHT

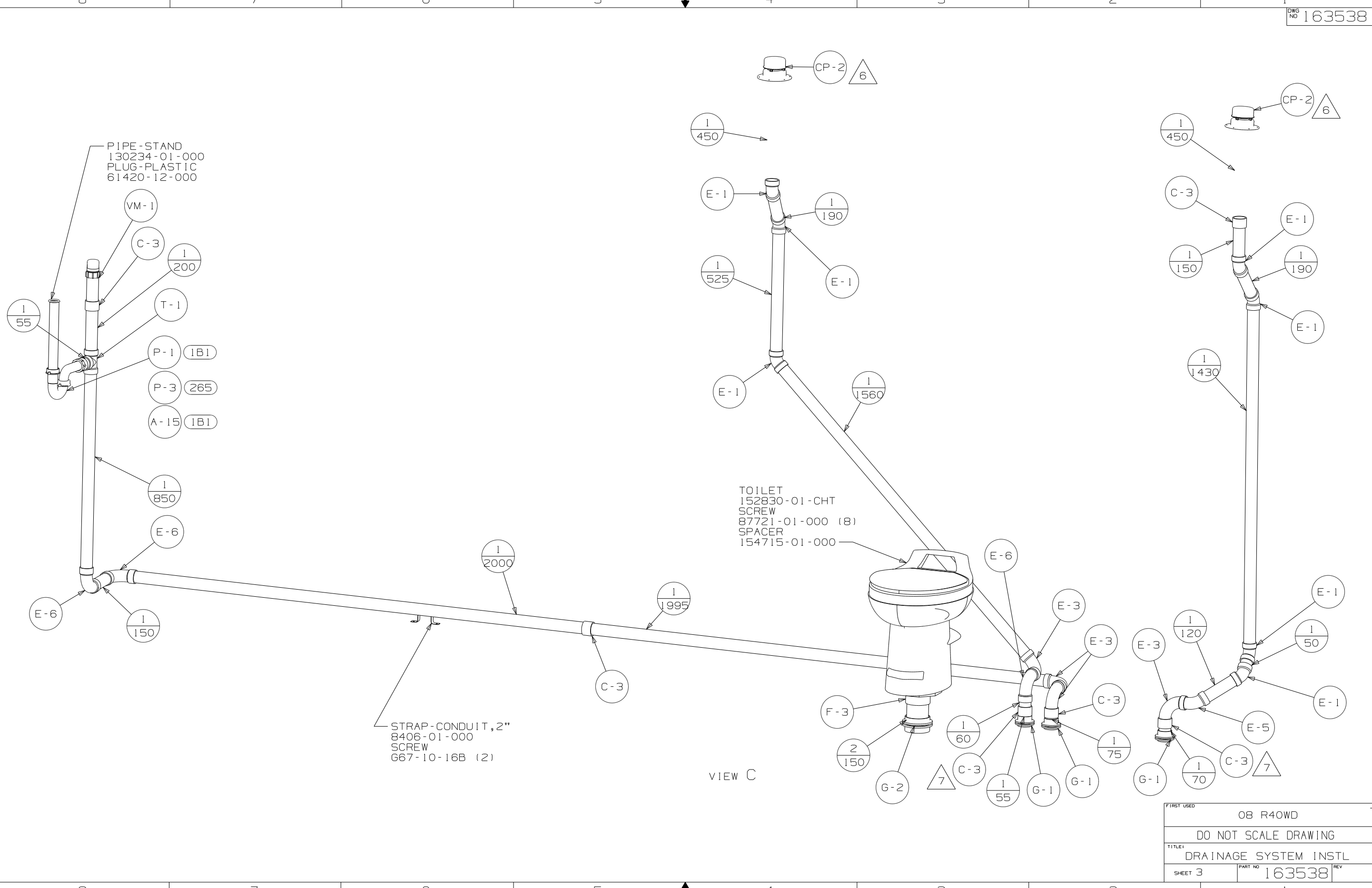


- SINK -GALLEY
- 110654-01-000
- STRAINER
- 92303-01-000 (2)
- NUT
- 130403-01-000
- WASHER-RUBBER
- 127440-02-CHT
- ANGLE-W/SLOTS
- 140002-01-CHT (10)



VIEW A

FIRST USED	OB R40WD	
TITLE	DO NOT SCALE DRAWING	
	DRAINAGE SYSTEM INSTL	
SHEET 2	PART NO	163538
	REV	



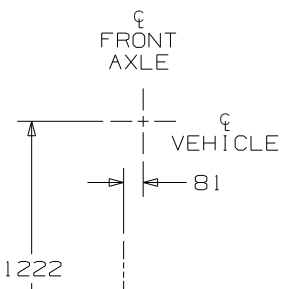
PIPE- STAND  
130234-01-000  
PLUG-PLASTIC  
61420-12-000

STRAP-CONDUIT, 2"  
8406-01-000  
SCREW  
G67-10-16B (2)

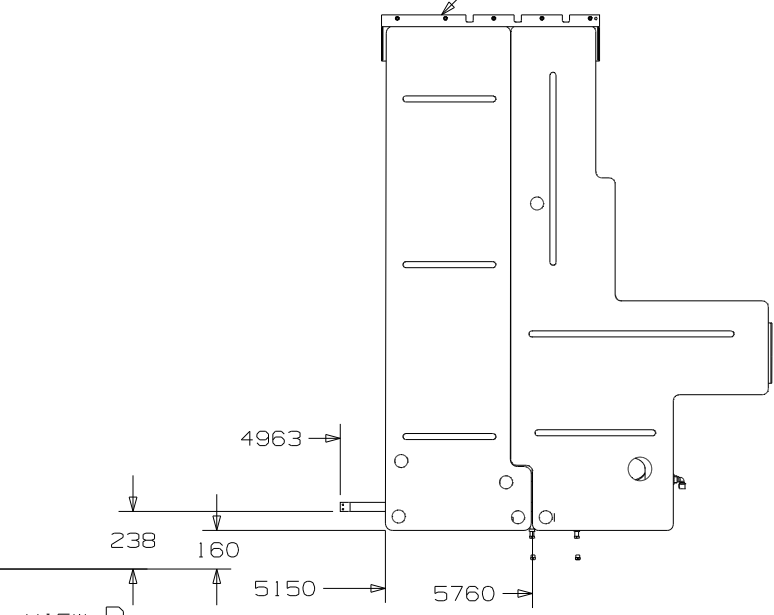
TOILET  
152830-01-CHT  
SCREW  
87721-01-000 (8)  
SPACER  
154715-01-000

VIEW C

FIRST USED	OB R40WD	
TITLE	DO NOT SCALE DRAWING	
	DRAINAGE SYSTEM INSTL	
SHEET 3	PART NO	163538
	REV	1 1/10/2008



BRACKET-ASM TANK  
158968-02-CHT



VIEW D

BRACKET-DRAINAGE TANK  
146080-02-CHT (2)

H-2 VALVE-SEWER  
144728-01-000  
V-11 CLAMP-HOSE  
62401-09-000

2  
55

C-2

SUPPORT ASM-HOLDING TANK  
161762-02-CHT  
SCREW  
G39-10-20T (4)

2  
95

E-18

N-3

TANK-HOLDING, 67 GAL, GRY, RR  
163063-03-000

N-3

E-18

C-2

PLATFORM-HOLDING TANK  
126714-10-000

TANK-HOLDING, 54 GAL  
163062-03-000

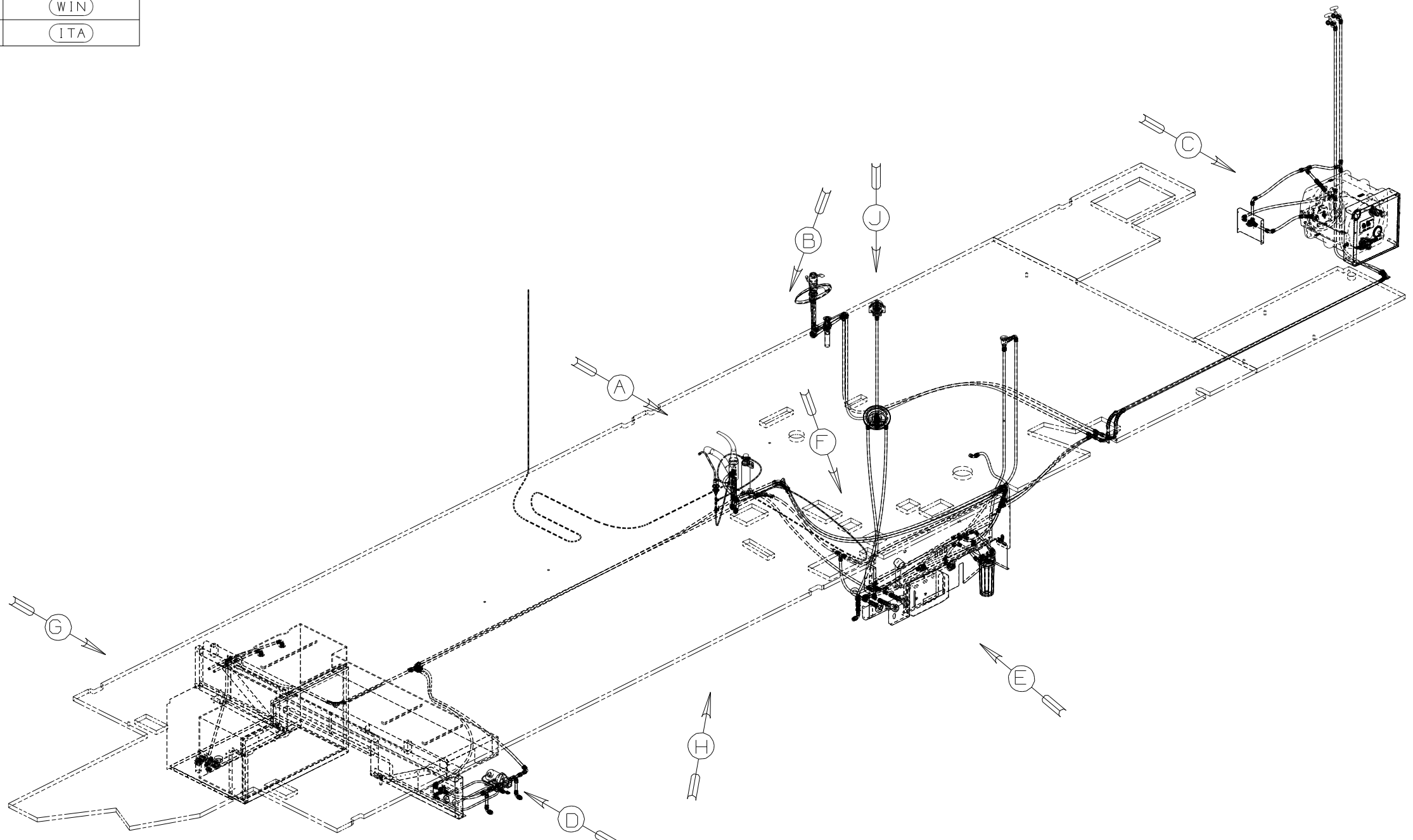
PLATFORM-HOLDING TANK  
126714-49-000

VIEW E

FIRST USED	08 R40WD	
TITLE	DO NOT SCALE DRAWING	
	DRAINAGE SYSTEM INSTL	
SHEET 4	PART NO 163538	REV

DWG NO	--
163541-01	(WIN)
163541-02	(ITA)

RELEASE	REV DATE	DWG NO
A		163541
REV ZONE	REVISION RECORD	DATE DFR-0R16



- (WIN) WINNEABAGO ONLY
- (ITA) ITASCA ONLY
- (54E) WASHER/DRYER
- (21M) WASHER/DRYER PREP

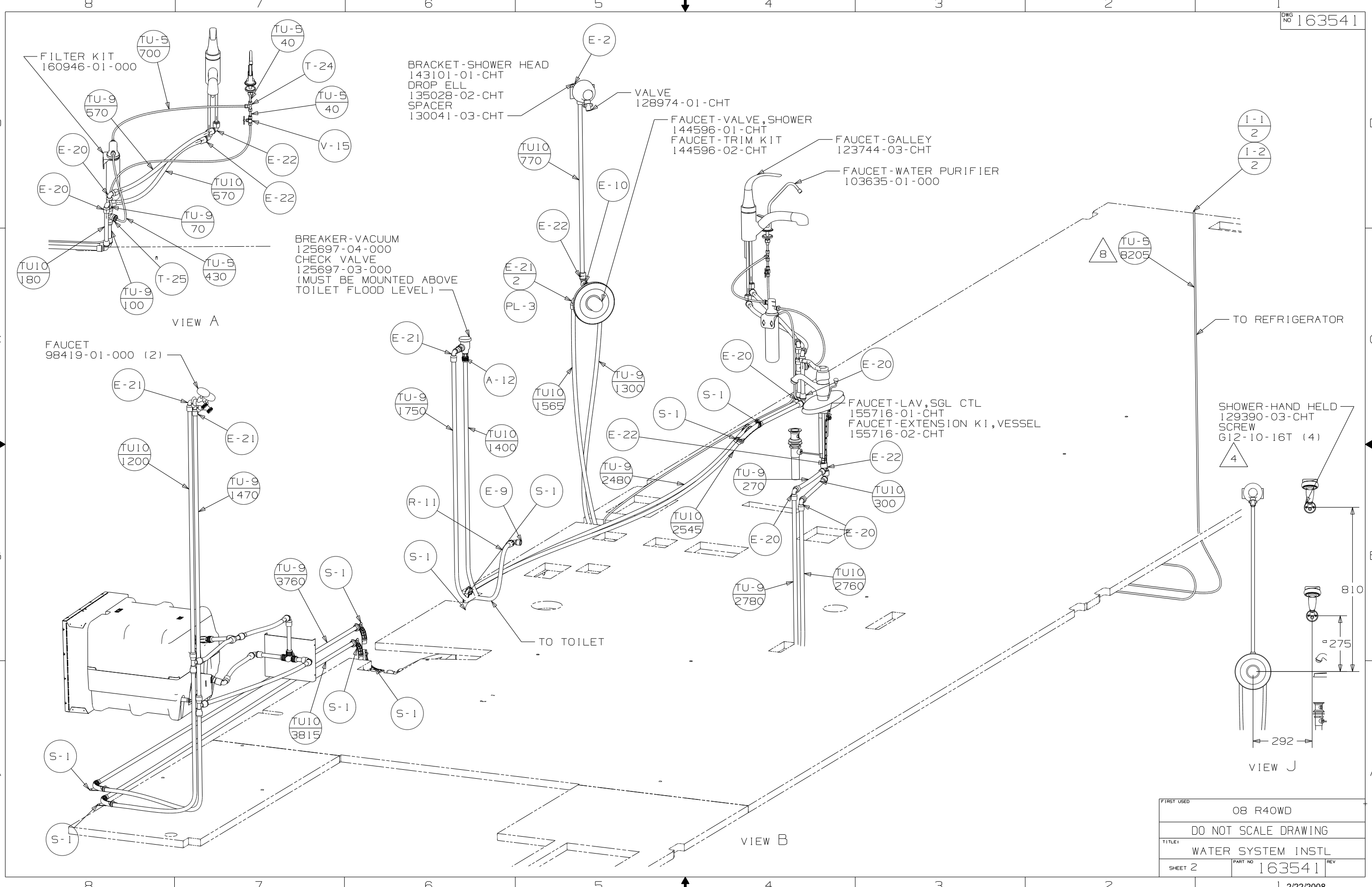
- △ 8 CLAMP ICEMAKER LINE TO SIDEWALL, AWAY FROM BURNER BOX ON REFRIGERATOR.
- △ 7 ADD PIPE WRAP (LADDER SCRAP 110157-02-000) INSULATION.
- △ 6 ADD TEFLON TAPE 10405-03-000.
- △ 5 ADD TEFLON TAPE 10405-02-000.
- △ 4 ADD TEFLON TAPE 10405-01-000.

3. ALL TUBING TO BE SECURED AT 1200 INTERVALS MAXIMUM WITH CLAMP 10495-01-000 AND SCREW G67-10-12B OR EQUIVALENT.
2. TUBING TO BE INSTALLED WITH SUFFICIENT SLOPE TO PROVIDE DRAINAGE TO NEAREST VALVE.
1. PLASTIC FITTINGS TO BE SEALED WITH SEALANT 84456-01-000.

NOTES:

(X-X)  
FOR  
WATER  
CALLOUTS  
SEE DWG NO  
116230-01-000

<b>WINNEBAGO</b>		COPYRIGHT 2008 WINNEBAGO INDUSTRIES, INC.	
D/FR	ORIG. DATE	ALL DIMENSIONS ARE IN MILLIMETERS	
CHKR		FIRST USED	
P.E.		08 R40WD	
M.E.		UNSPECIFIED TOLERANCES ARE:	
DSNR		MATERIAL:	
		WHOLE DIM (X)	: 3
		ONE-PLACE (X.X)	: 1.5
		TWO-PLACE (X.XX)	: 0.50
		ANGLE	: 1°
THIRD ANGLE PROJECTION		DO NOT SCALE DRAWING	
TITLE: WATER SYSTEM INSTL			
SHEET 1 OF 5	PART NO	163541	REV
REF:	1 2/22/2008		



BRACKET-SHOWER HEAD  
 143101-01-CHT  
 DROP ELL  
 135028-02-CHT  
 SPACER  
 130041-03-CHT

VALVE  
 128974-01-CHT

FAUCET-VALVE, SHOWER  
 144596-01-CHT  
 FAUCET-TRIM KIT  
 144596-02-CHT

FAUCET-GALLEY  
 123744-03-CHT

FAUCET-WATER PURIFIER  
 103635-01-000

BREAKER-VACUUM  
 125697-04-000  
 CHECK VALVE  
 125697-03-000  
 (MUST BE MOUNTED ABOVE  
 TOILET FLOOD LEVEL)

FAUCET-LAV, SGL CTL  
 155716-01-CHT  
 FAUCET-EXTENSION K1, VESSEL  
 155716-02-CHT

SHOWER-HAND HELD  
 129390-03-CHT  
 SCREW  
 G12-10-16T (4)

VIEW A

VIEW B

VIEW J

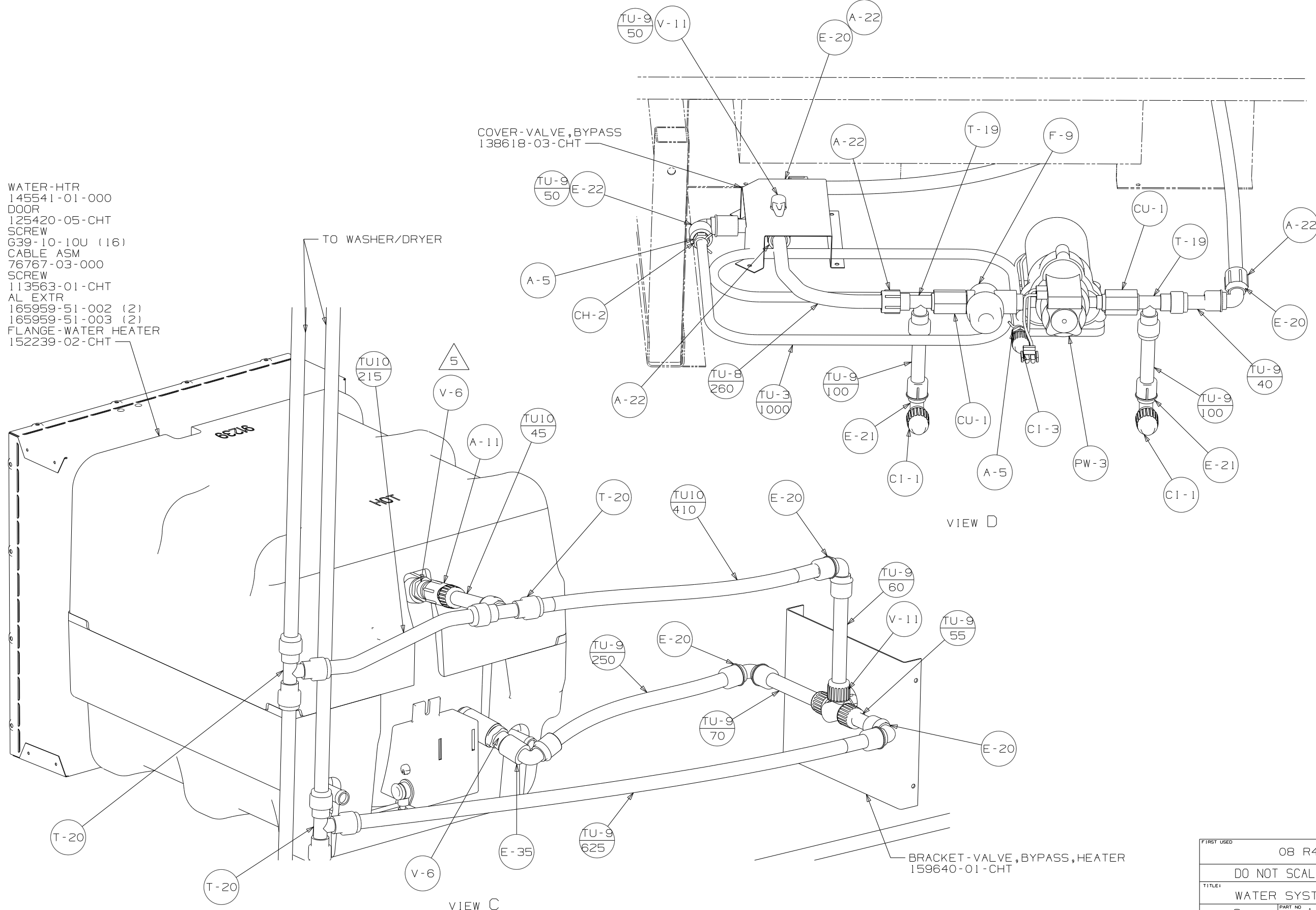
FIRST USED	OB R40WD		
TITLE:	DO NOT SCALE DRAWING		
	WATER SYSTEM INSTL		
SHEET 2	PART NO	163541	REV

- WATER-HTR  
145541-01-000
- DOOR  
125420-05-CHT
- SCREW  
G39-10-10U (16)
- CABLE ASM  
76767-03-000
- SCREW  
113563-01-CHT
- AL EXTR  
165959-51-002 (2)
- 165959-51-003 (2)
- FLANGE-WATER HEATER  
152239-02-CHT

COVER-VALVE, BYPASS  
138618-03-CHT

BRACKET-VALVE, BYPASS, HEATER  
159640-01-CHT

TO WASHER/DRYER

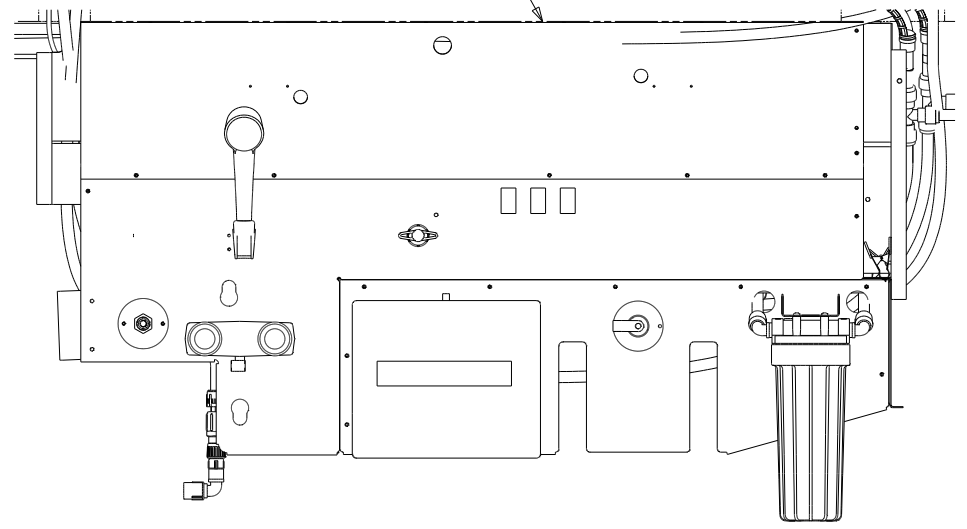


VIEW D

VIEW C

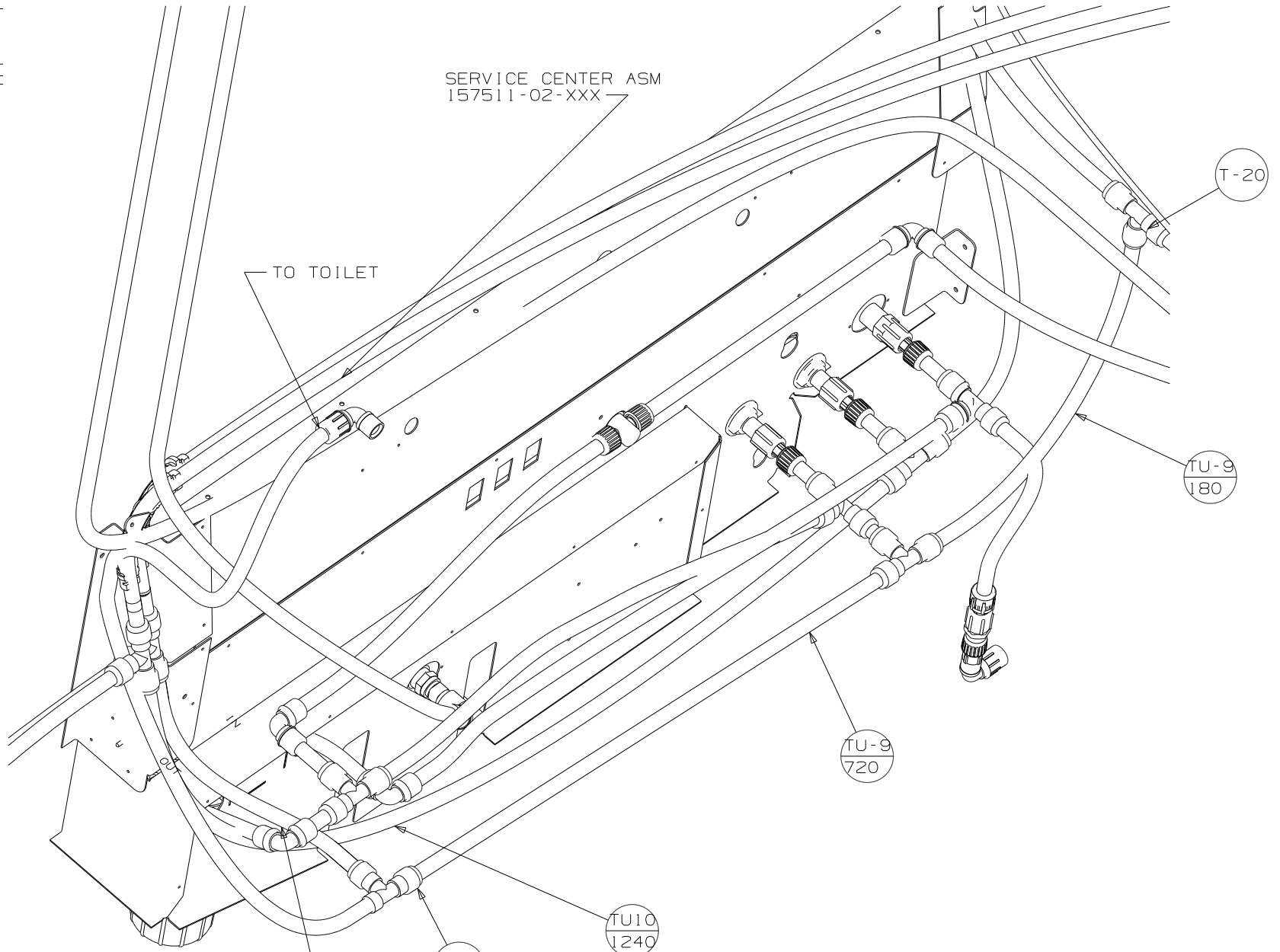
FIRST USED	OB R40WD	
TITLE:	DO NOT SCALE DRAWING	
	WATER SYSTEM INSTL	
SHEET 3	PART NO	REV
	163541	

SERVICE CENTER ASM  
145207-14-XXX



VIEW E

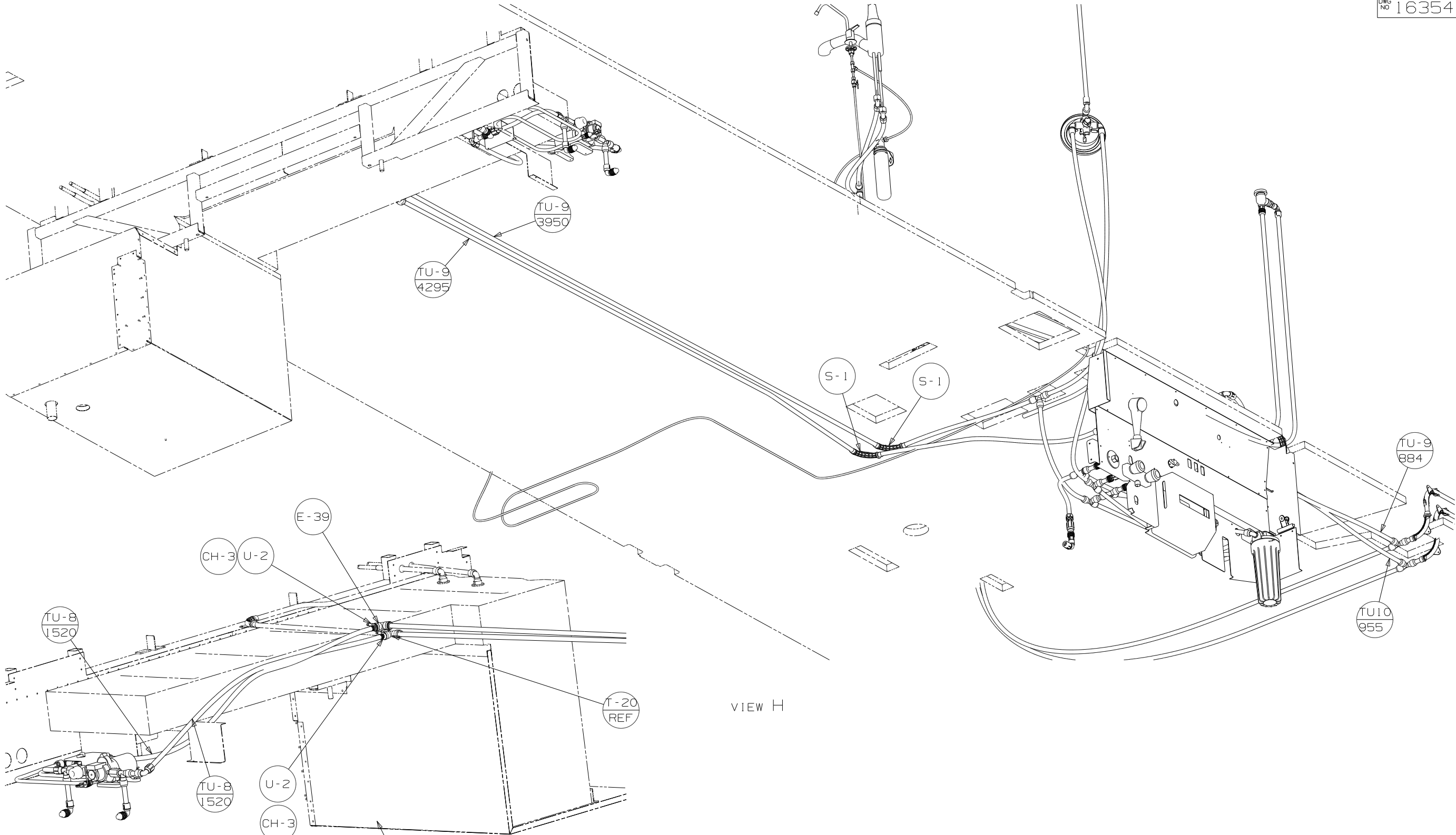
SERVICE CENTER ASM  
157511-02-XXX



VIEW F

FIRST USED	OB R40WD		
TITLE:	DO NOT SCALE DRAWING		
	WATER SYSTEM INSTL		
SHEET 4	PART NO	163541	REV





VIEW G

VIEW H

TANK INSTL  
(SEE FRAME ASM-CHASSIS)

FIRST USED	OB R40WD	
TITLE	DO NOT SCALE DRAWING	
	WATER SYSTEM INSTL	
SHEET 5	PART NO 163541	REV