

FRONT
OF
COACH

- (1B1) CODES/STANDARDS USA
- (265) CODES/STDS-CSA, CMVSS
- (54E) WASHER DRYER
- (21M) WASHER/DRYER PREP
- (214) DISHWASHER DRAWER STYLE
- (215) DISHWASHER WITHOUT

8. SECURE DRAINAGE PIPES TO CABINET USING WIRE TIE 108046-02-000, AND SCREW G67-10-12B AT INTERVALS OF NOT MORE THAN 4 FEET APART.
7. SECURE VENT PIPE TO FLOOR WITH CLAMP 62401-02-000 (2), SCREW G67-10-12B (2), BRACKET 136878-01-CHT (2).
6. VENT PIPE MUST PROJECT 51 MIN AND 64 MAX ABOVE ROOF FOR PROPER FIT AND FUNCTION.
5. SEAL AROUND SHOWER WITH SILICONE.
4. ALL EXTERIOR OPENINGS AROUND PIPE TO BE SEALED WITH 131264-03-000.
3. ALL PIPE AND FITTINGS TO BE ASSEMBLED WITH SOLVENT 4020-01-000 (USA), 4020-02-000 (CAN)
2. SLOPE OF TRAP ARM MUST BE 6 PER 305 mm.
1. SLOPE OF HORIZONTAL PIPING TO BE MINIMUM OF 3 PER 305 mm.

NOTES:

| | | | |
|------------------------------|-------------|---|--------|
| WINNEBAGO | | COPYRIGHT 2007 WINNEBAGO INDUSTRIES, INC. | |
| DFTR | ORIG. DATE | ALL DIMENSIONS ARE IN MILLIMETERS | |
| CHKR | | FIRST USED | |
| P.E. | | 08 R40TD | |
| M.E. | | UNSPECIFIED TOLERANCES ARE: | |
| DSNR | | MATERIAL: | |
| | | WHOLE DIM (X) | : 3 |
| | | ONE-PLACE (X.X) | : 1.5 |
| | | TWO-PLACE (X.XX) | : 0.50 |
| | | ANGLE | : 1° |
| | | THIRD ANGLE PROJECTION | |
| DO NOT SCALE DRAWING | | | |
| TITLE: DRAINAGE SYSTEM INSTL | | | |
| SHEET 1 OF 4 | PART NO | 163898 | REV |
| REF: | 1 12/5/2007 | | |

FOR
DRAINAGE
CALLOUTS
SEE DWG NO
116229-01-000

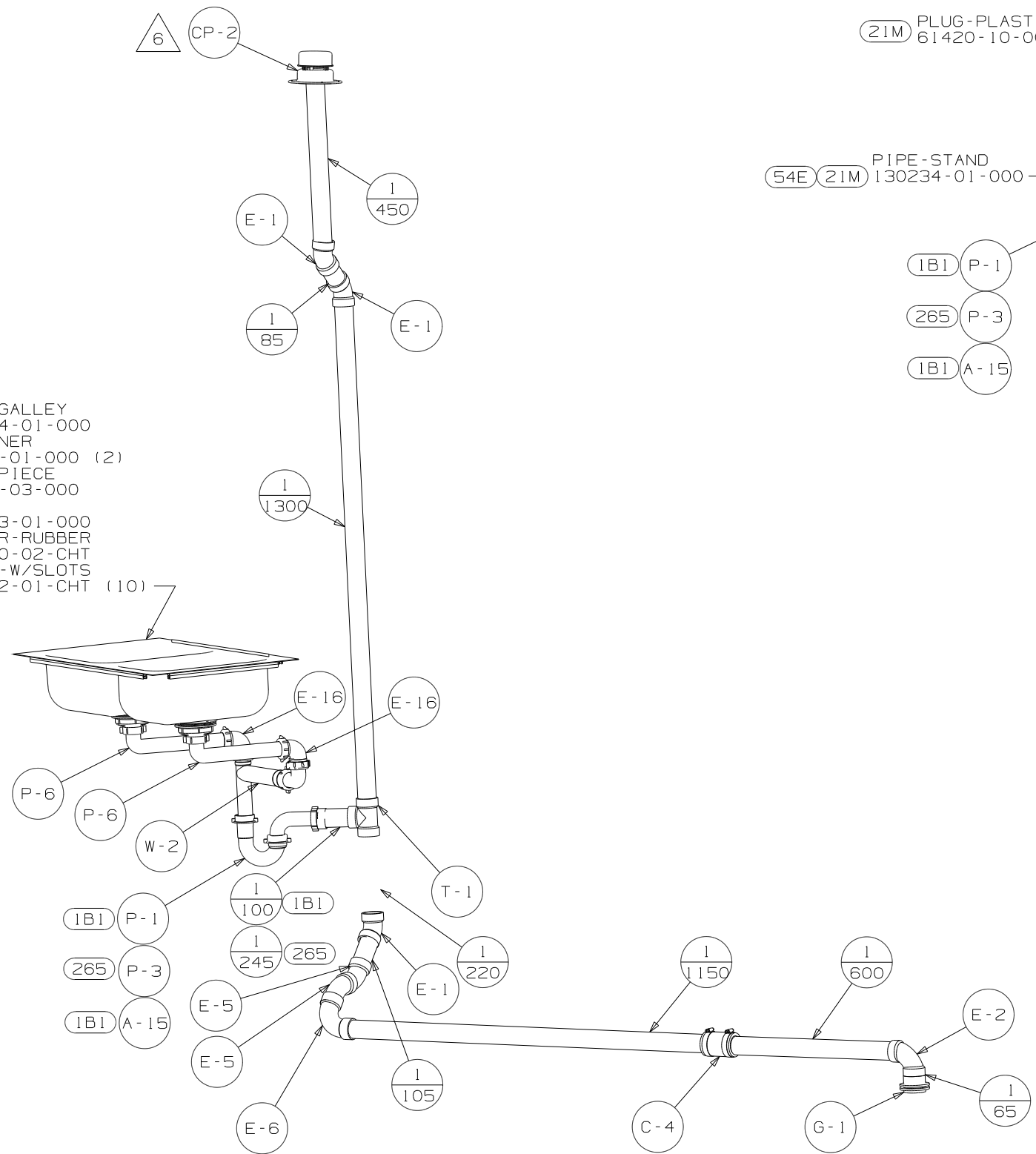


- SINK-GALLEY
110654-01-000
- STRAINER
92303-01-000 (2)
- TAIL PIECE
11069-03-000
- NUT
130403-01-000
- WASHER-RUBBER
127440-02-CHT
- ANGLE-W/SLOTS
140002-01-CHT (10)

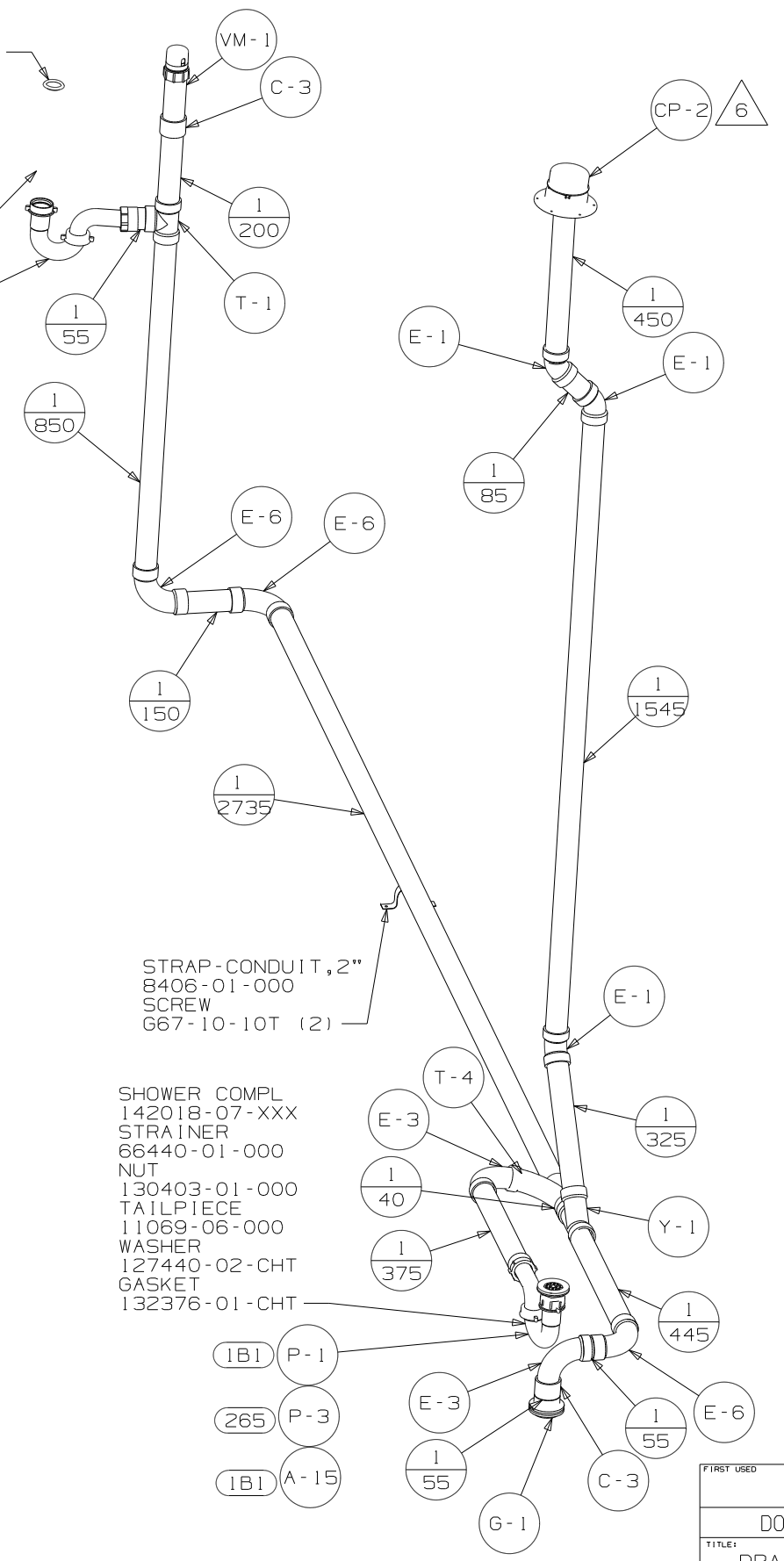
- (21M) PLUG-PLASTIC
61420-10-000
- (54E) (21M) PIPE-STAND
130234-01-000
- (1B1) P-1
- (265) P-3
- (1B1) A-15

- STRAP-CONDUIT, 2"
8406-01-000
- SCREW
G67-10-10T (2)

- SHOWER COMPL
142018-07-XXX
- STRAINER
66440-01-000
- NUT
130403-01-000
- TAILPIECE
11069-06-000
- WASHER
127440-02-CHT
- GASKET
132376-01-CHT



VIEW A

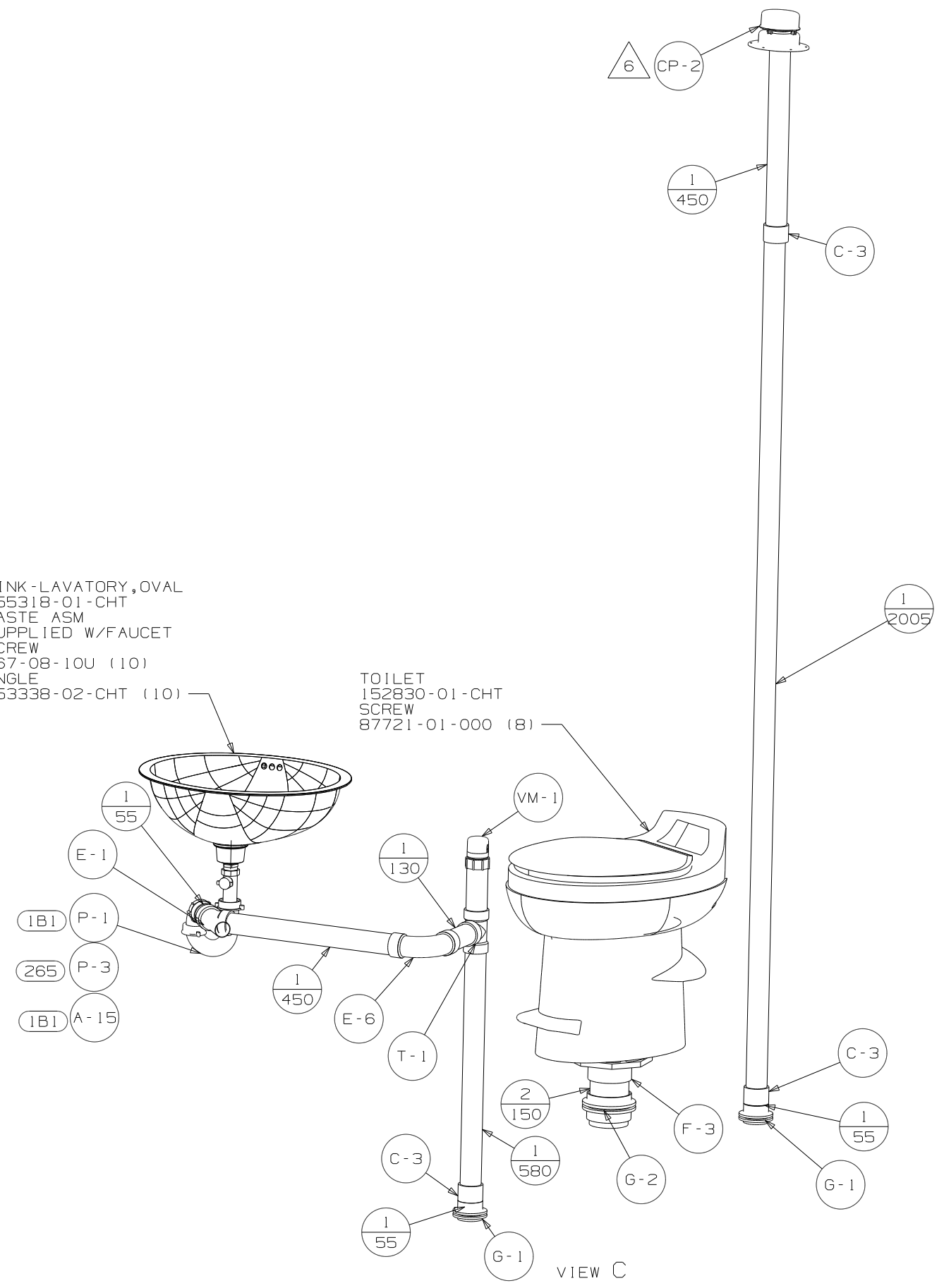


VIEW B

| | | |
|------------|-----------------------|-----|
| FIRST USED | OB R40TD | |
| TITLE | DO NOT SCALE DRAWING | |
| | DRAINAGE SYSTEM INSTL | |
| SHEET 2 | PART NO | REV |
| | 163898 | |

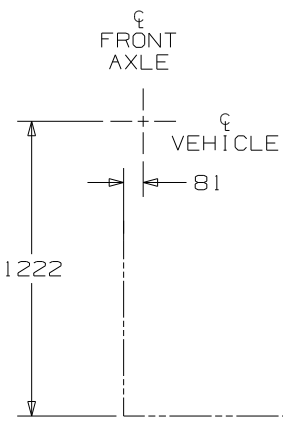
SINK-LAVATORY, OVAL
155318-01-CHT
WASTE ASM
SUPPLIED W/FAUCET
SCREW
G67-08-10U (10)
ANGLE
153338-02-CHT (10)

TOILET
152830-01-CHT
SCREW
87721-01-000 (8)



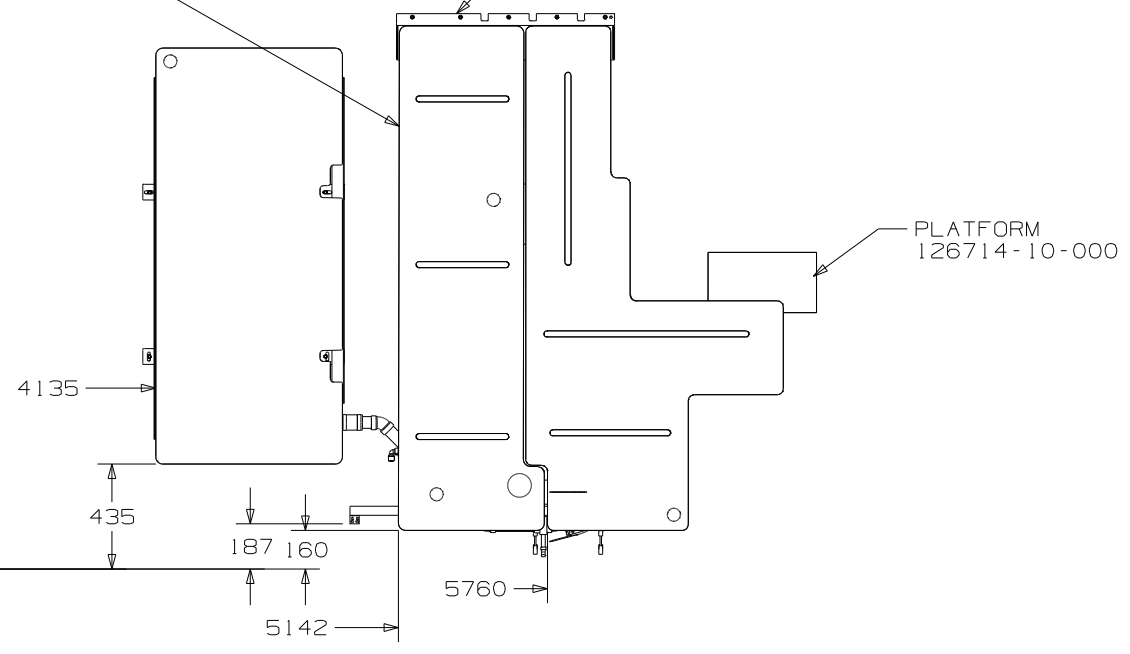
VIEW C

| | | |
|------------|-----------------------|------------|
| FIRST USED | OB R40TD | |
| TITLE | DO NOT SCALE DRAWING | |
| | DRAINAGE SYSTEM INSTL | |
| SHEET 3 | PART NO | 163898 REV |
| | 12/5/2007 | |



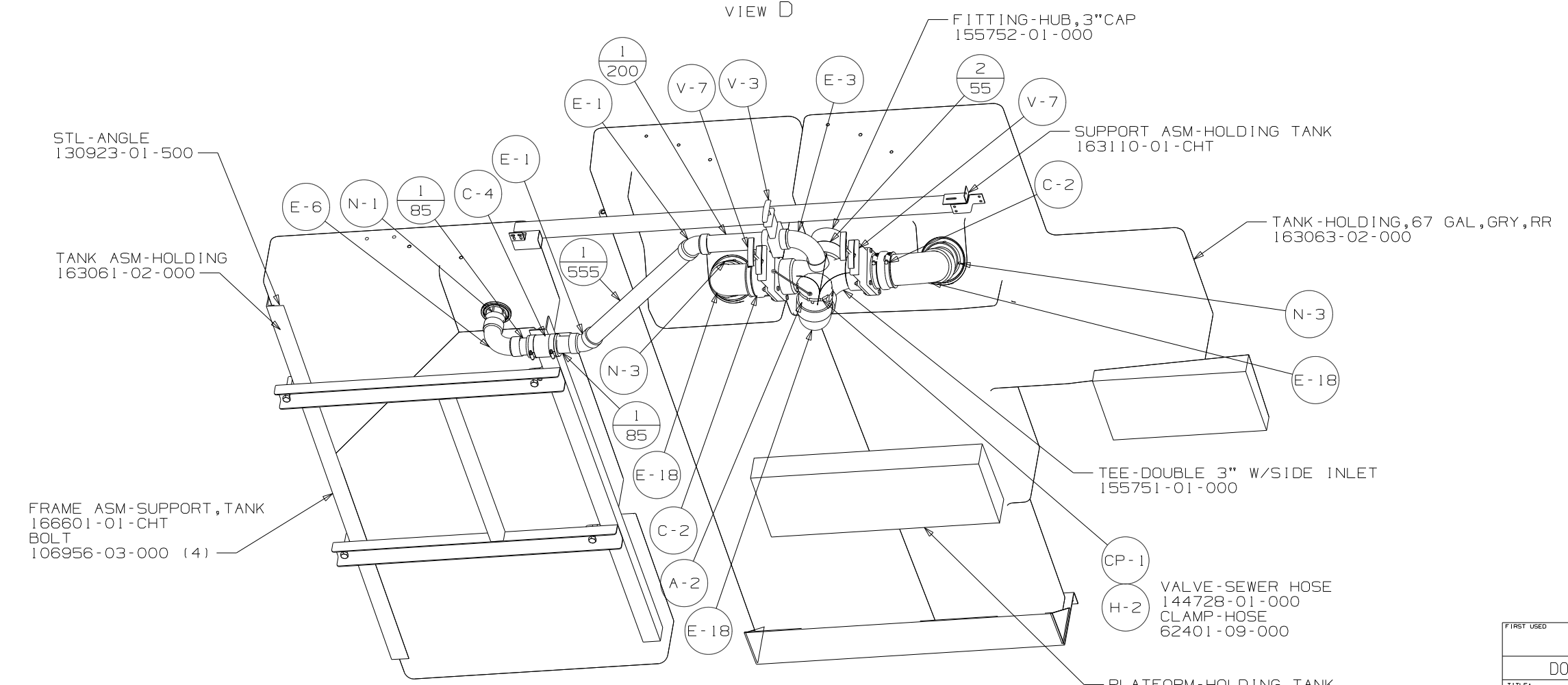
TANK-HOLDING, 52 GAL, BLK, FRT
163062-02-000

BRACKET-ASM TANK
158968-02-CHT



PLATFORM
126714-10-000

VIEW D

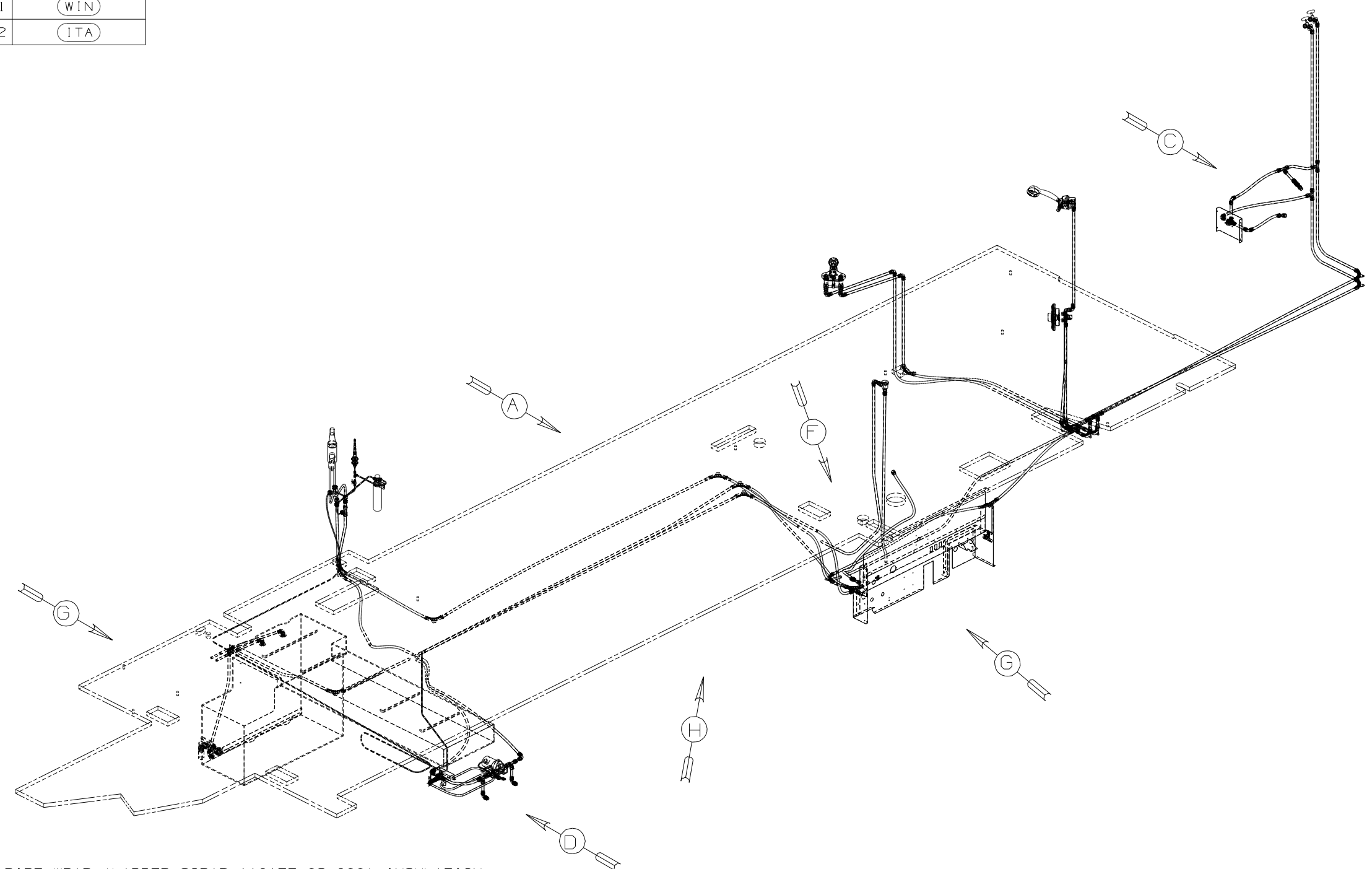


VIEW E

| | | |
|------------|-----------------------|-----|
| FIRST USED | OB R40TD | |
| TITLE | DO NOT SCALE DRAWING | |
| | DRAINAGE SYSTEM INSTL | |
| SHEET 4 | PART NO | REV |
| | 163898 | |

| | |
|-----------|-------|
| DWG NO | -- |
| 163903-01 | (WIN) |
| 163903-02 | (ITA) |

| | | |
|----------|-----------------|-----------|
| RELEASE | REV DATE | DWG NO |
| A | | 163903 |
| REV ZONE | REVISION RECORD | DATE |
| | | DFTR-0R16 |

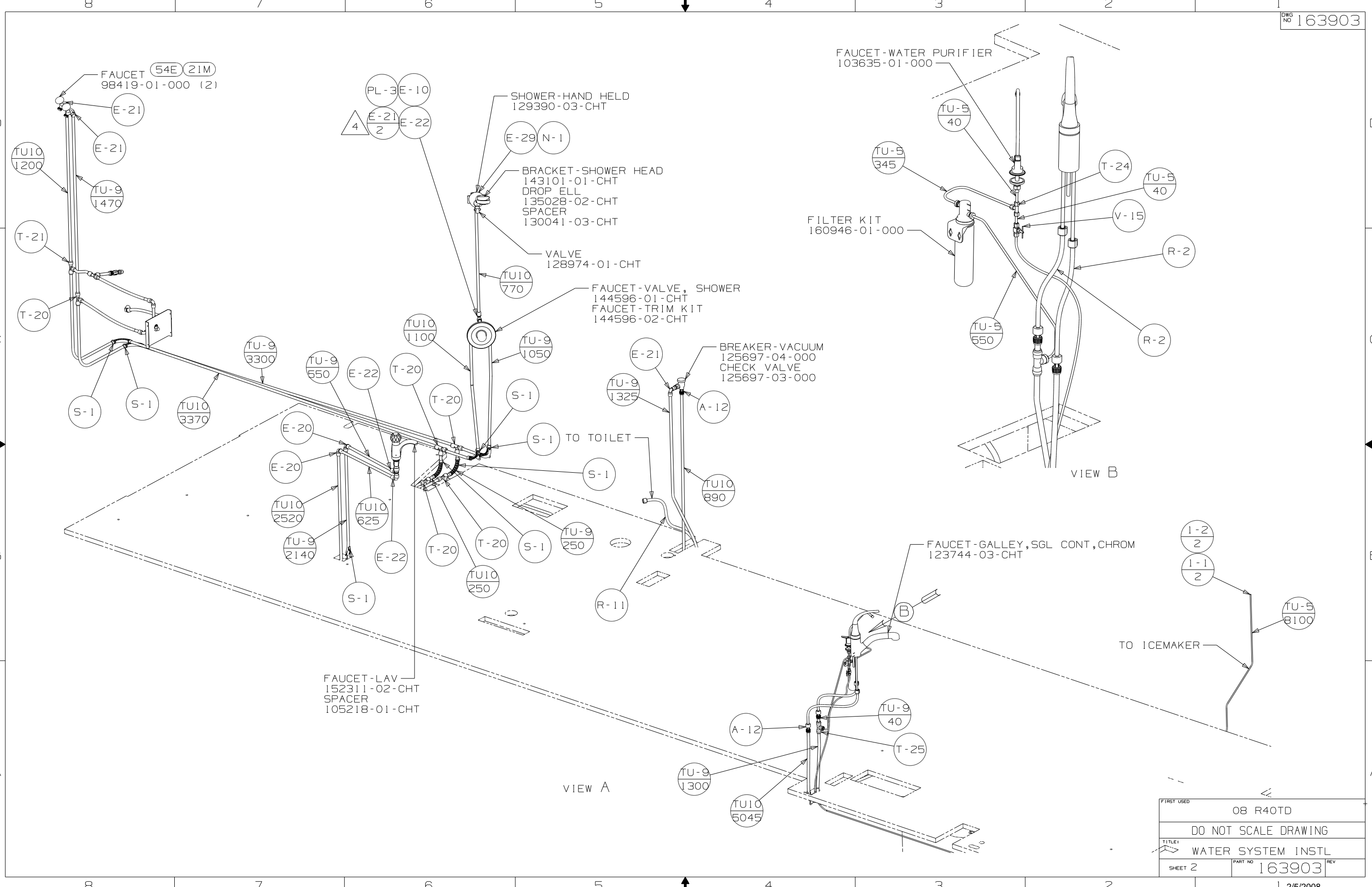


- (WIN) WINNEABAGO ONLY
- (ITA) ITASCA ONLY
- (54E) WASHER/DRYER
- (21M) WASHER/DRYER PREP

- NOTES:
- 7. ADD PIPE WRAP (LADDER SCRAP 110157-02-000) INSULATION.
 - 6. ADD TEFLON TAPE 10405-03-000.
 - 5. ADD TEFLON TAPE 10405-02-000.
 - 4. ADD TEFLON TAPE 10405-01-000.
3. ALL TUBING TO BE SECURED AT 1200 INTERVALS MAXIMUM WITH CLAMP 10495-01-000 AND SCREW G67-10-12B OR EQUIVALENT.
 2. TUBING TO BE INSTALLED WITH SUFFICIENT SLOPE TO PROVIDE DRAINAGE TO NEAREST VALVE.
 1. PLASTIC FITTINGS TO BE SEALED WITH SEALANT 84456-01-000.

| | | | |
|---------------------------|------------|---|--------|
| WINNEBAGO | | COPYRIGHT 2008 WINNEBAGO INDUSTRIES, INC. | |
| DFTR | ORIG. DATE | ALL DIMENSIONS ARE IN MILLIMETERS | |
| CHKR | | FIRST USED | |
| P.E. | | 08 R40TD | |
| M.E. | | UNSPECIFIED TOLERANCES ARE: | |
| DSNR | | MATERIAL: | |
| | | WHOLE DIM (X) | : 3 |
| | | ONE-PLACE (X.X) | : 1.5 |
| | | TWO-PLACE (X.XX) | : 0.50 |
| | | ANGLE | : 1° |
| THIRD ANGLE PROJECTION | | | |
| DO NOT SCALE DRAWING | | | |
| TITLE: WATER SYSTEM INSTL | | | |
| SHEET 1 OF 5 | PART NO | 163903 | REV |
| REF: | 1 2/5/2008 | | |

(X-X)
FOR
WATER
CALLOUTS
SEE DWG NO
116230-01-000



FAUCET (54E 21M)
98419-01-000 (2)

PL-3E-10
E-21
E-22

SHOWER-HAND HELD
129390-03-CHT

E-29 N-1

BRACKET-SHOWER HEAD
143101-01-CHT
DROP ELL
135028-02-CHT
SPACER
130041-03-CHT

VALVE
128974-01-CHT

FAUCET-VALVE, SHOWER
144596-01-CHT
FAUCET-TRIM KIT
144596-02-CHT

FILTER KIT
160946-01-000

FAUCET-WATER PURIFIER
103635-01-000

BREAKER-VACUUM
125697-04-000
CHECK VALVE
125697-03-000

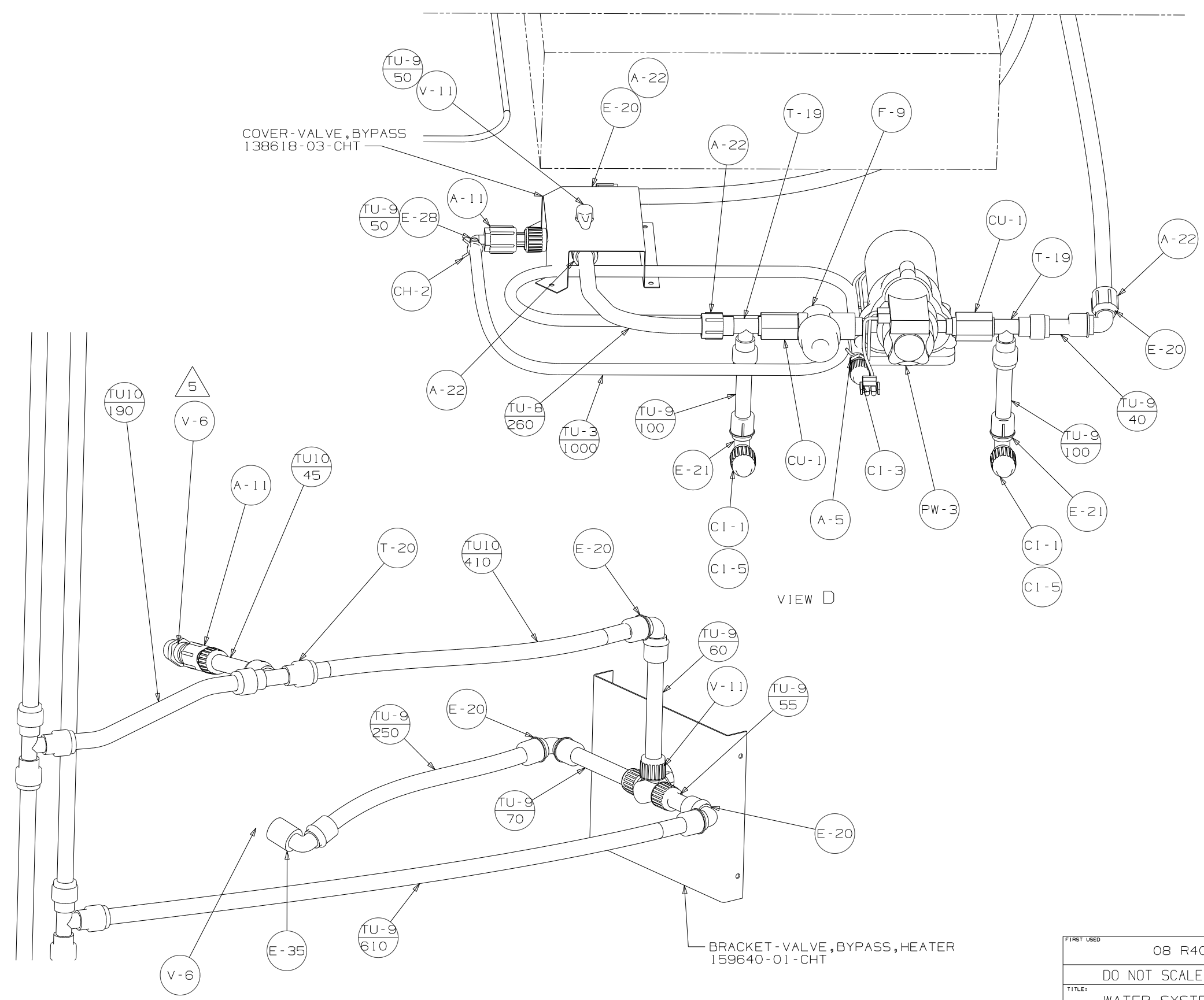
FAUCET-GALLEY, SGL CONT, CHROM
123744-03-CHT

FAUCET-LAV
152311-02-CHT
SPACER
105218-01-CHT

TO ICEMAKER

| | | | |
|------------|----------------------|--------|-----|
| FIRST USED | OB R40TD | | |
| TITLE | DO NOT SCALE DRAWING | | |
| TITLE | WATER SYSTEM INSTL | | |
| SHEET 2 | PART NO | 163903 | REV |

- WATER-HTR
145541-01-000
- DOOR
125420-05-CHT
- SCREW
G39-10-10U (16)
- CABLE ASM
76767-03-000
- SCREW
113563-01-CHT
- AL EXTR
165959-51-002 (2)
- 165959-51-003 (2)
- FLANGE-WATER HEATER
152239-02-CHT

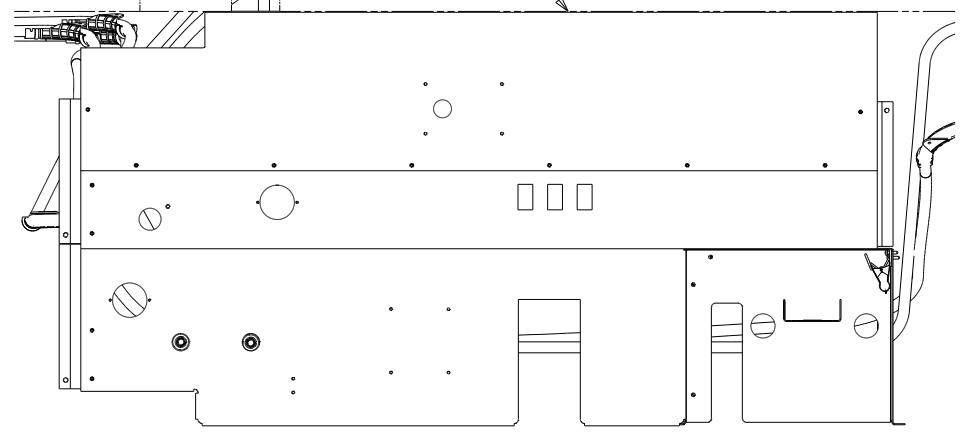


VIEW C

VIEW D

| | | |
|------------|----------------------|--------|
| FIRST USED | OB R40TD | |
| TITLE: | DO NOT SCALE DRAWING | |
| | WATER SYSTEM INSTL | |
| SHEET 3 | PART NO | 163903 |
| | REV | |

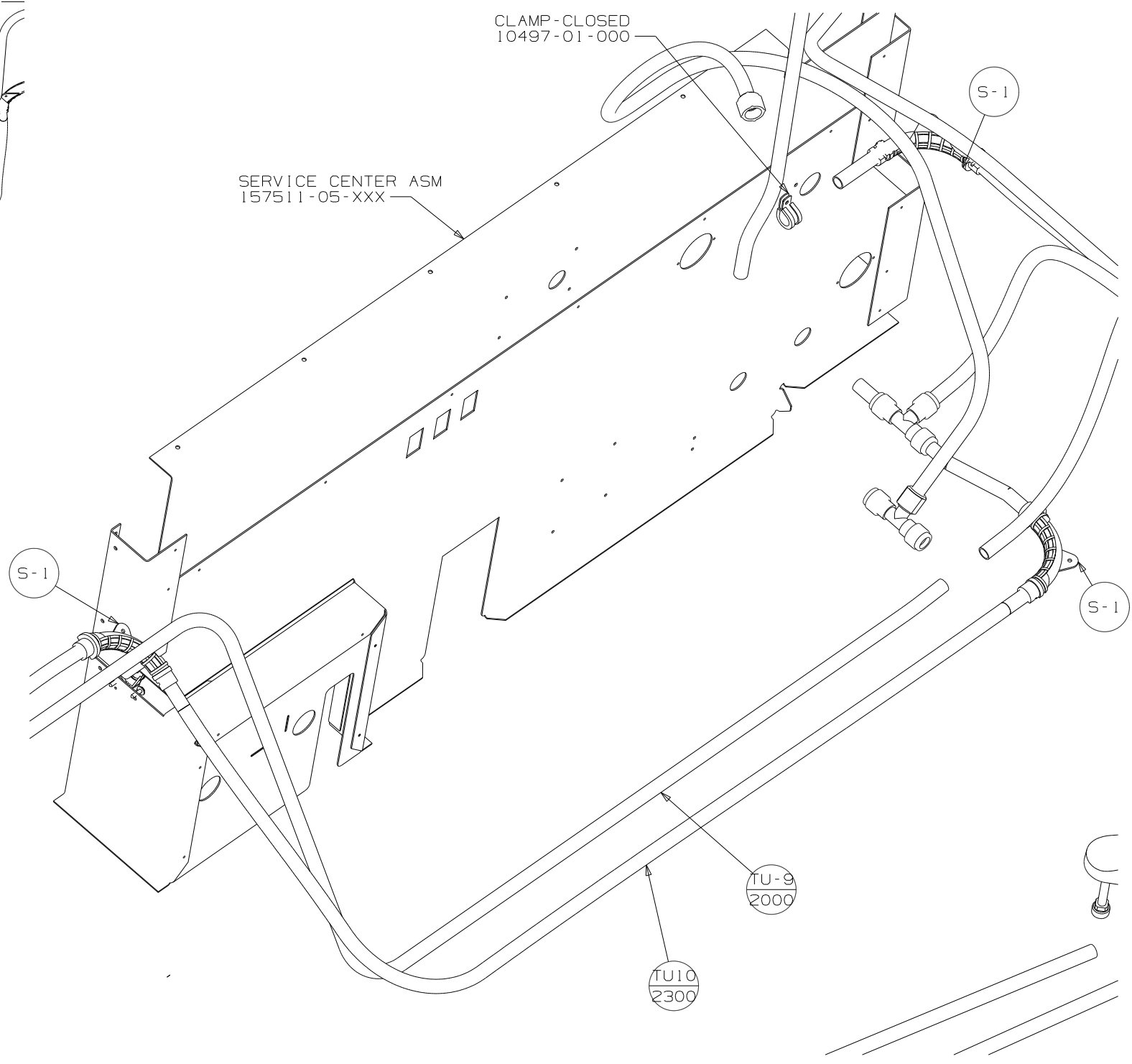
SERVICE CENTER ASM
163268-02-XXX



VIEW E

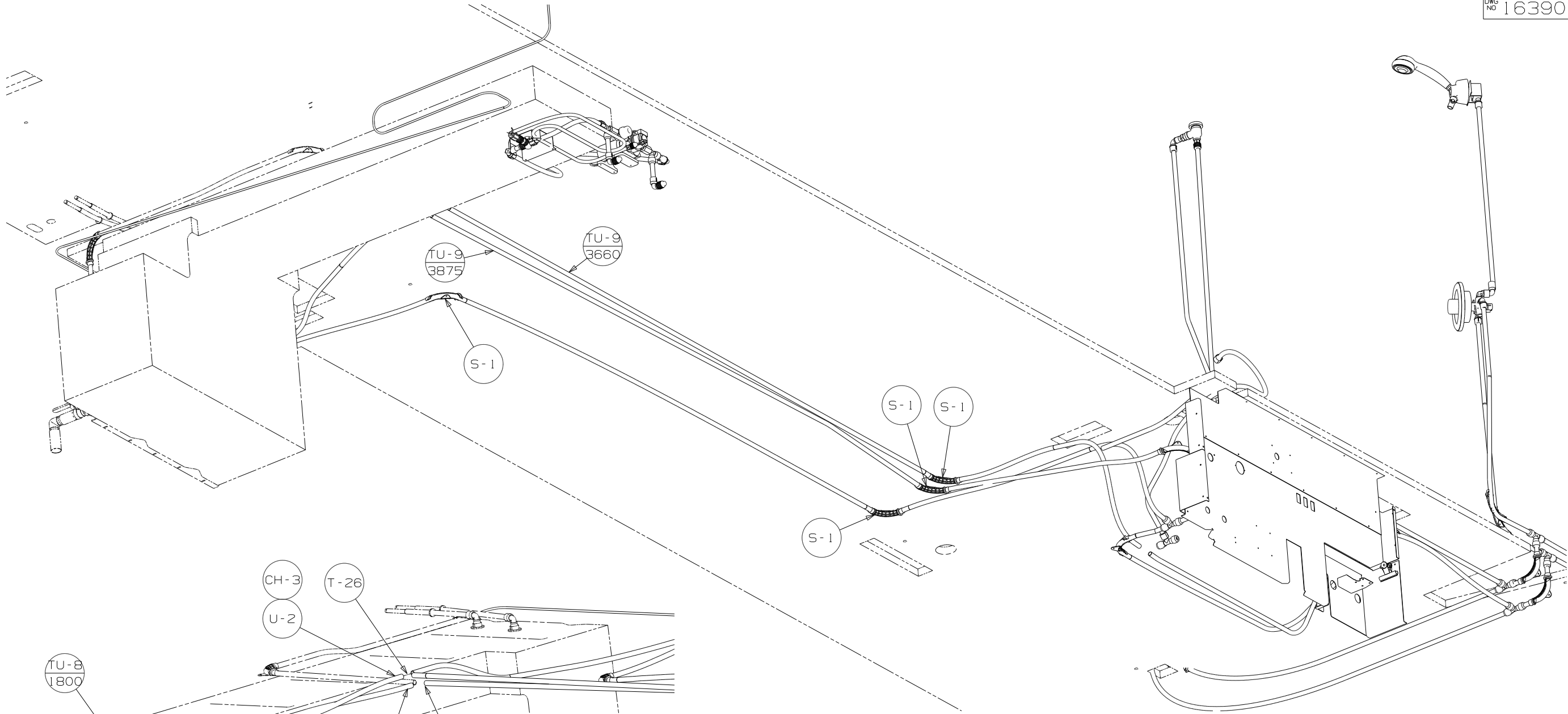
CLAMP - CLOSED
10497-01-000

SERVICE CENTER ASM
157511-05-XXX



VIEW F

| | | | |
|------------|----------------------|--------|-----|
| FIRST USED | 08 R40TD | | |
| TITLE | DO NOT SCALE DRAWING | | |
| TITLE | WATER SYSTEM INSTL | | |
| SHEET 4 | PART NO | 163903 | REV |



VIEW H

VIEW G

TANK INSTL
(SEE FRAME ASM-CHASSIS)

| | | | |
|------------|----------------------|--------|-----|
| FIRST USED | OB R40TD | | |
| TITLE | DO NOT SCALE DRAWING | | |
| | WATER SYSTEM INSTL | | |
| SHEET 5 | PART NO | 163903 | REV |