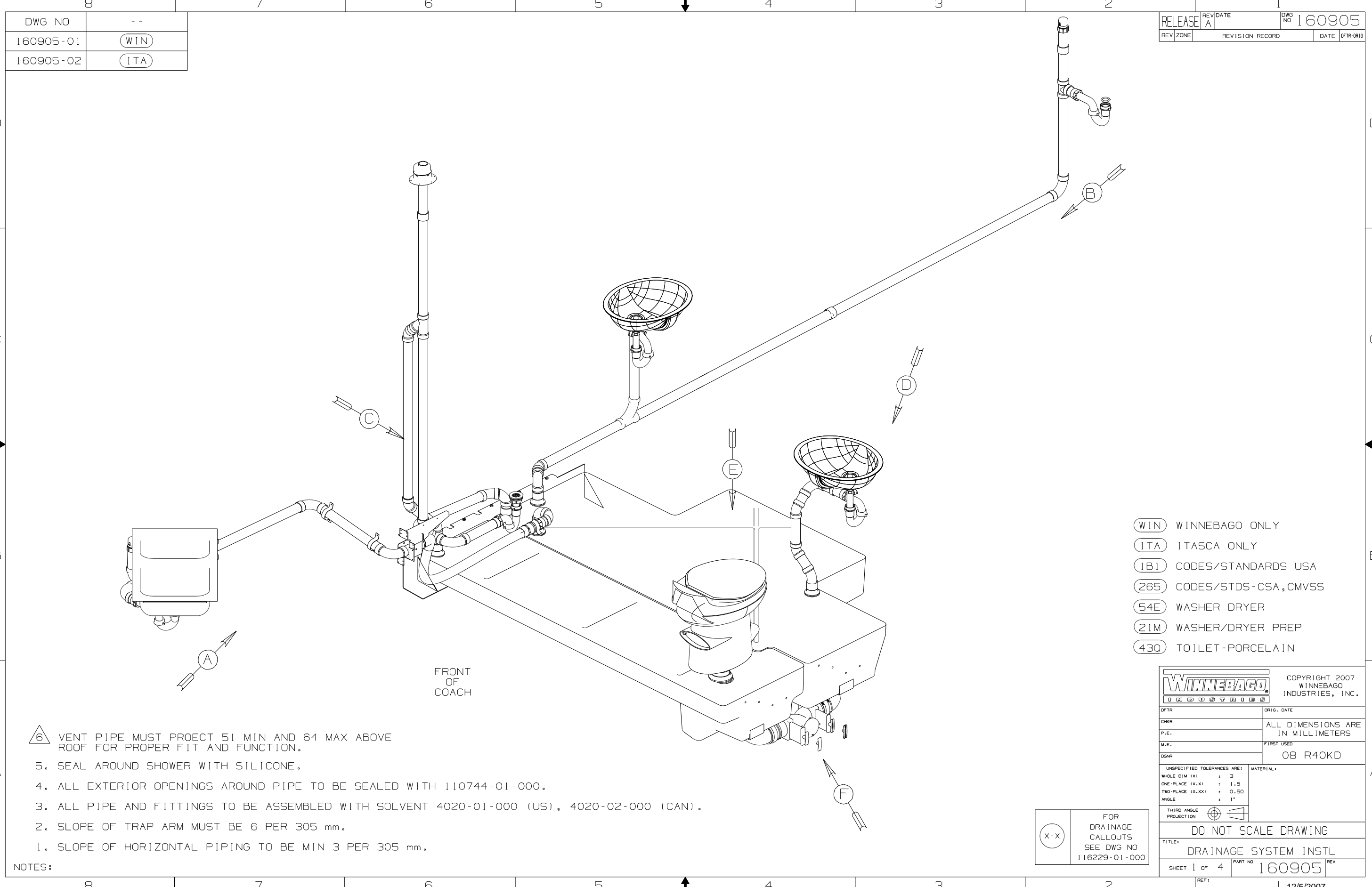


DWG NO	--
160905-01	(WIN)
160905-02	(ITA)

RELEASE	REV DATE	DWG NO
A		160905
REV ZONE	REVISION RECORD	DATE



- (WIN) WINNEBAGO ONLY
- (ITA) ITASCA ONLY
- (IBI) CODES/STANDARDS USA
- (265) CODES/STDS-CSA, CMVSS
- (54E) WASHER DRYER
- (21M) WASHER/DRYER PREP
- (43Q) TOILET-PORCELAIN

FRONT OF COACH

- 6 VENT PIPE MUST PROJECT 51 MIN AND 64 MAX ABOVE ROOF FOR PROPER FIT AND FUNCTION.
5. SEAL AROUND SHOWER WITH SILICONE.
 4. ALL EXTERIOR OPENINGS AROUND PIPE TO BE SEALED WITH 110744-01-000.
 3. ALL PIPE AND FITTINGS TO BE ASSEMBLED WITH SOLVENT 4020-01-000 (US), 4020-02-000 (CAN).
 2. SLOPE OF TRAP ARM MUST BE 6 PER 305 mm.
 1. SLOPE OF HORIZONTAL PIPING TO BE MIN 3 PER 305 mm.

NOTES:

(X-X)
FOR DRAINAGE CALLOUTS SEE DWG NO 116229-01-000

WINNEBAGO		COPYRIGHT 2007 WINNEBAGO INDUSTRIES, INC.	
DFT	ORIG. DATE	ALL DIMENSIONS ARE IN MILLIMETERS	
CHKR		FIRST USED	
P.E.		08 R40KD	
M.E.		UNSPECIFIED TOLERANCES ARE:	
DSNR		MATERIAL:	
		WHOLE DIM (X)	: 3
		ONE-PLACE (X.X)	: 1.5
		TWO-PLACE (X.XX)	: 0.50
		ANGLE	: 1°
THIRD ANGLE PROJECTION		DO NOT SCALE DRAWING	
TITLE: DRAINAGE SYSTEM INSTL			
SHEET 1 OF 4	PART NO	160905	REV

- SINK-GALLEY
110654-01-000
- STRAINER
92303-01-000 (2)
- SEAL
91255-02-000 (A/R)
- ANGLE-FORMED
140002-01-CHT (10)
- SCREW
G67-10-08U (10)

- (2IM) PIPE-STAND
130234-01-000

- PLUG-PLASTIC
61420-10-000

- SINK-LAV
155318-01-CHT
- TAILPIECE
- POP-UP ASM
(SUPPLIED W/FAUCET)
- ANGLE
153338-02-CHT-CHT (10)
- SCREW
G67-08-10U (10)
- SEAL
91255-02-000 (A/R)

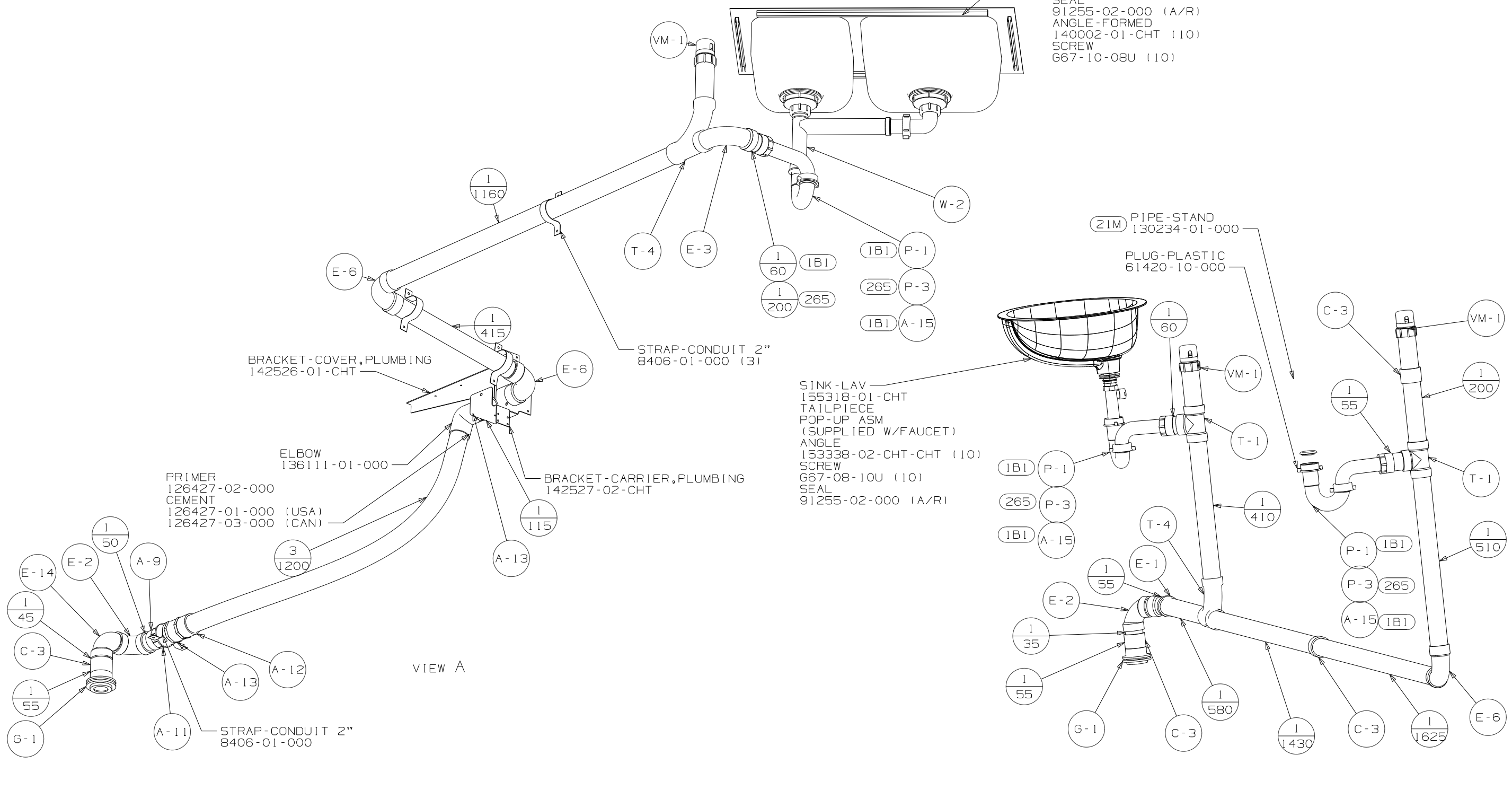
- PRIMER
126427-02-000
- CEMENT
126427-01-000 (USA)
- 126427-03-000 (CAN)

- BRACKET-COVER, PLUMBING
142526-01-CHT

- ELBOW
136111-01-000

- BRACKET-CARRIER, PLUMBING
142527-02-CHT

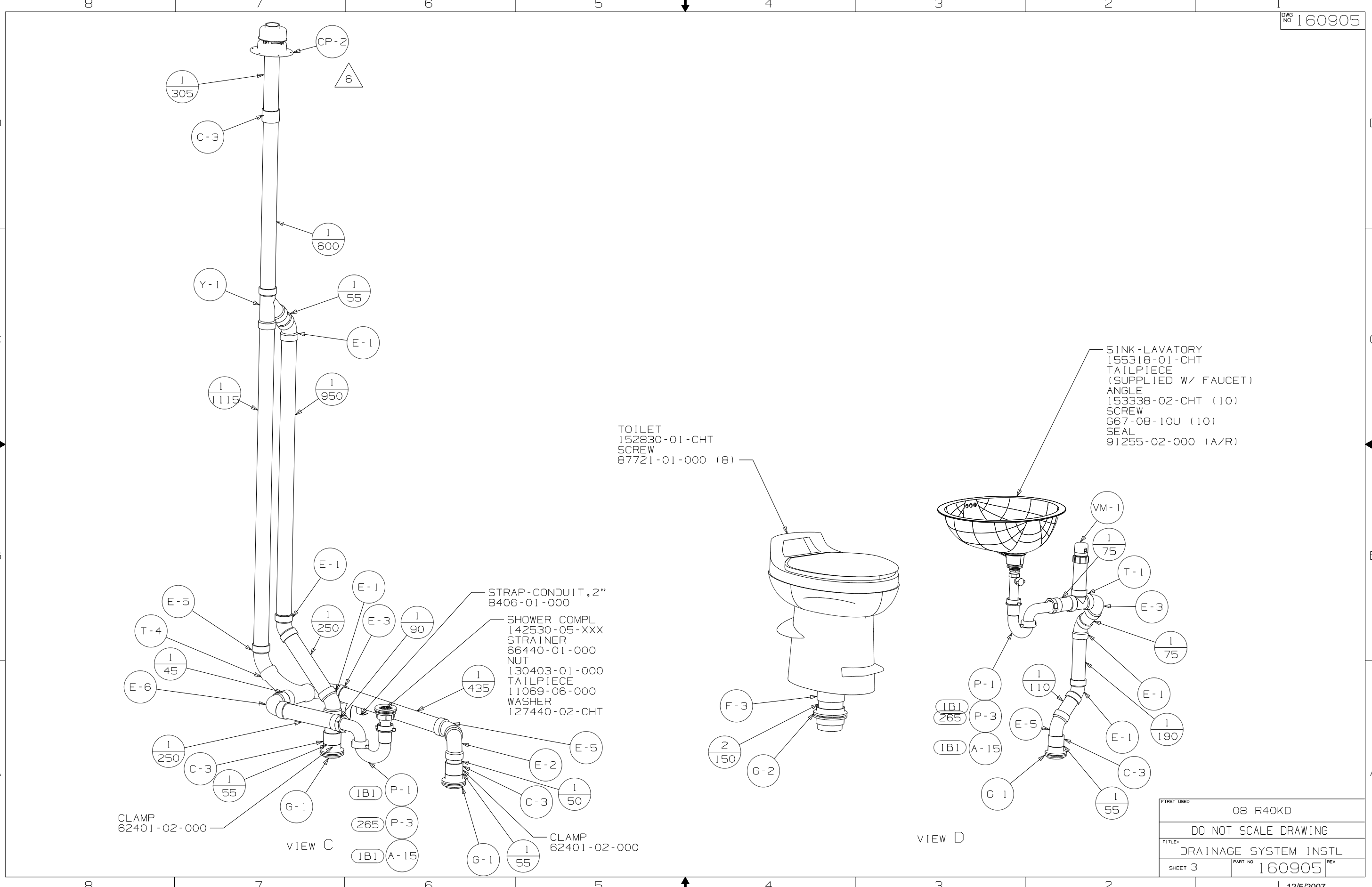
- STRAP-CONDUIT 2"
8406-01-000 (3)



VIEW A

VIEW B

FIRST USED	OB R40KD		
TITLE	DO NOT SCALE DRAWING		
	DRAINAGE SYSTEM INSTL		
SHEET 2	PART NO	160905	REV
			12/5/2007



TOILET
152830-01-CHT
SCREW
87721-01-000 (8)

SINK-LAVATORY
155318-01-CHT
TAILPIECE
(SUPPLIED W/ FAUCET)
ANGLE
153338-02-CHT (10)
SCREW
G67-08-10U (10)
SEAL
91255-02-000 (A/R)

STRAP-CONDUIT, 2"
8406-01-000

SHOWER COMPL
142530-05-XXX
STRAINER
66440-01-000
NUT
130403-01-000
TAILPIECE
11069-06-000
WASHER
127440-02-CHT

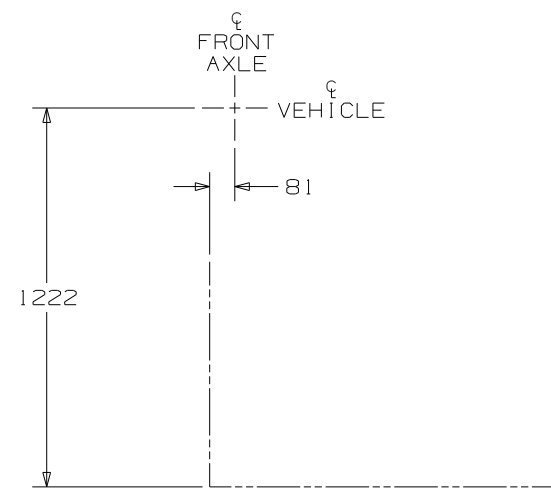
CLAMP
62401-02-000

CLAMP
62401-02-000

VIEW C

VIEW D

FIRST USED	OB R40KD	
TITLE	DO NOT SCALE DRAWING	
	DRAINAGE SYSTEM INSTL	
SHEET 3	PART NO	160905
	REV	



BRACKET
161759-01-CHT
BOLT
C26-05-12B (6)

SUPPORT ASM-HOLDING TANK
161762-02-CHT
SCREW
G39-10-20T (2)

PLATFORM
126714-10-000

242 160
5760
5142

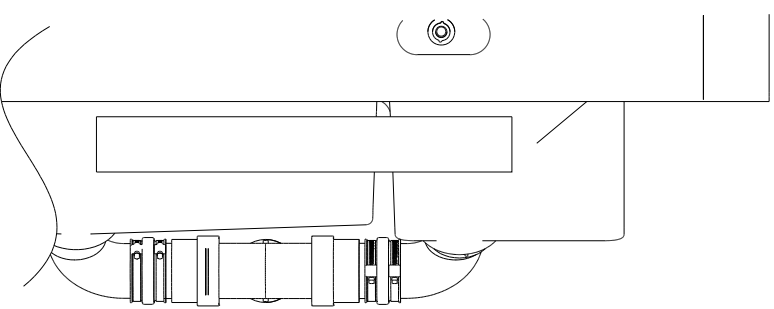
VIEW E

TANK-HOLDING
161225-03-000

TANK-HOLDING
161224-03-000

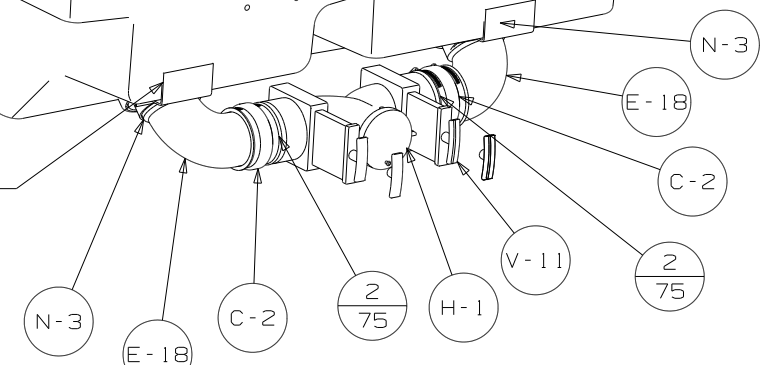
BRACKET-DRAINAGE
146080-02-CHT (2)

VALVE-SEWER HOSE
144728-01-000
CLAMP-HOSE
62401-09-000



VIEW G

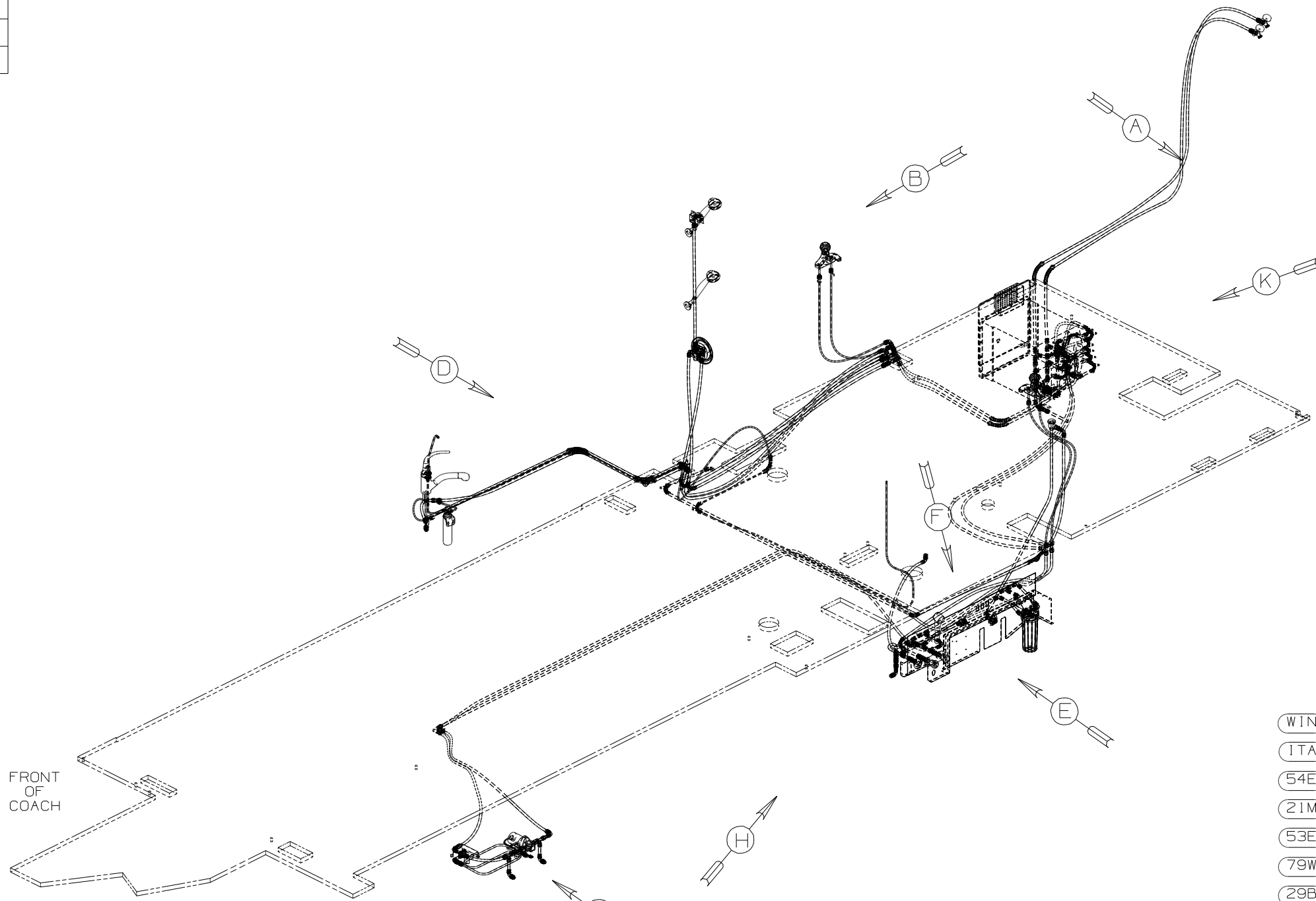
VIEW F



FIRST USED	OB R40KD	
TITLE	DO NOT SCALE DRAWING	
	DRAINAGE SYSTEM INSTL	
SHEET 4	PART NO	REV
	160905	
I 12/5/2007		

DWG NO	----
160907-01	(WIN)
160907-02	(ITA)

RELEASE	REV DATE	DWG NO
A		160907
REV ZONE	REVISION RECORD	DATE
		DFTR-ORIG

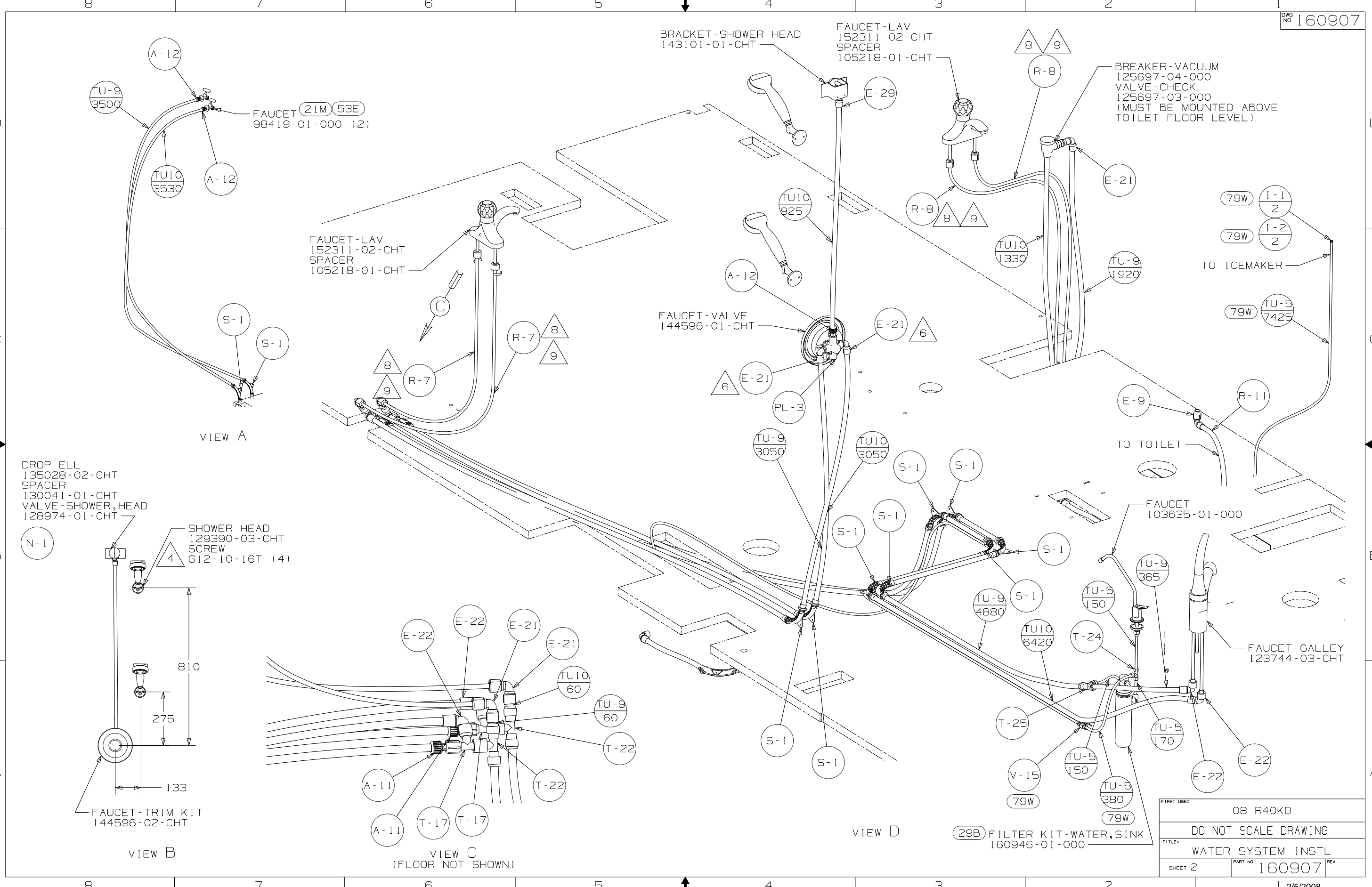


- (WIN) WINNEBAGO ONLY
- (ITA) ITASCA ONLY
- (54E) WASHER/DRYER
- (21M) WASHER/DRYER PREP
- (53E) WATER SYSTEM WINTERIZATION PKG
- (79W) REFRIGERATOR-4 DR W/ICEMAKER
- (29B) WATER PURIFICATION SYSTEM

- NOTES:
9. TAPE FITTING TO TUBE BEFORE CABINET SET TO PREVENT FITTING FROM MOVING.
 8. LABEL HOT AND COLD SUPPLY TUBES.
 7. ADD TEFLON TAPE 10405-03-000.
 6. ADD TEFLON TAPE 10405-01-000.
 5. ADD TEFLON TAPE 10405-02-000.
 4. USED IN PLACE OF SUPPLIED SCREWS TO ATTACH BRACKET TO WALL.
3. ALL TUBING TO BE SECURED AT 1200 INTERVALS MAXIMUM WITH CLAMP 10495-01-000 AND SCREW G67-10-12B OR EQUIVALENT.
2. TUBING TO BE INSTALLED WITH SUFFICIENT SLOPE TO PROVIDE DRAINAGE TO NEAREST VALVE.
1. PLASTIC FITTINGS TO BE SEALED WITH SEALANT 84456-01-000.

(X-X)
FOR
WATER
CALLOUTS
SEE DWG NO
116230-01-000

WINNEBAGO		COPYRIGHT 2008 WINNEBAGO INDUSTRIES, INC.	
DFTR	ORIG. DATE	ALL DIMENSIONS ARE IN MILLIMETERS	
CHKR		FIRST USED	
P.E.		08 R40KD	
M.E.		UNSPECIFIED TOLERANCES ARE:	
DSNR		MATERIAL:	
		WHOLE DIM (X)	: 3
		ONE-PLACE (X.X)	: 1.5
		TWO-PLACE (X.XX)	: 0.50
		ANGLE	: 1°
THIRD ANGLE PROJECTION			
DO NOT SCALE DRAWING			
TITLE: WATER SYSTEM INSTL			
SHEET 1 OF 5	PART NO	160907	REV
REF	1 2/5/2008		



FAUCET 21M 53E
98419-01-000 (2)

FAUCET-LAV
152311-02-CHT
SPACER
105218-01-CHT

BRACKET-SHOWER HEAD
143101-01-CHT

FAUCET-LAV
152311-02-CHT
SPACER
105218-01-CHT

BREAKER-VACUUM
125697-04-000
VALVE-CHECK
125697-03-000
(MUST BE MOUNTED ABOVE
TOILET FLOOR LEVEL)

VIEW A

DROP ELL
135028-02-CHT
SPACER
130041-01-CHT
VALVE-SHOWER HEAD
128974-01-CHT

SHOWER HEAD
129390-03-CHT
SCREW
G12-10-16T (4)

810

275

133

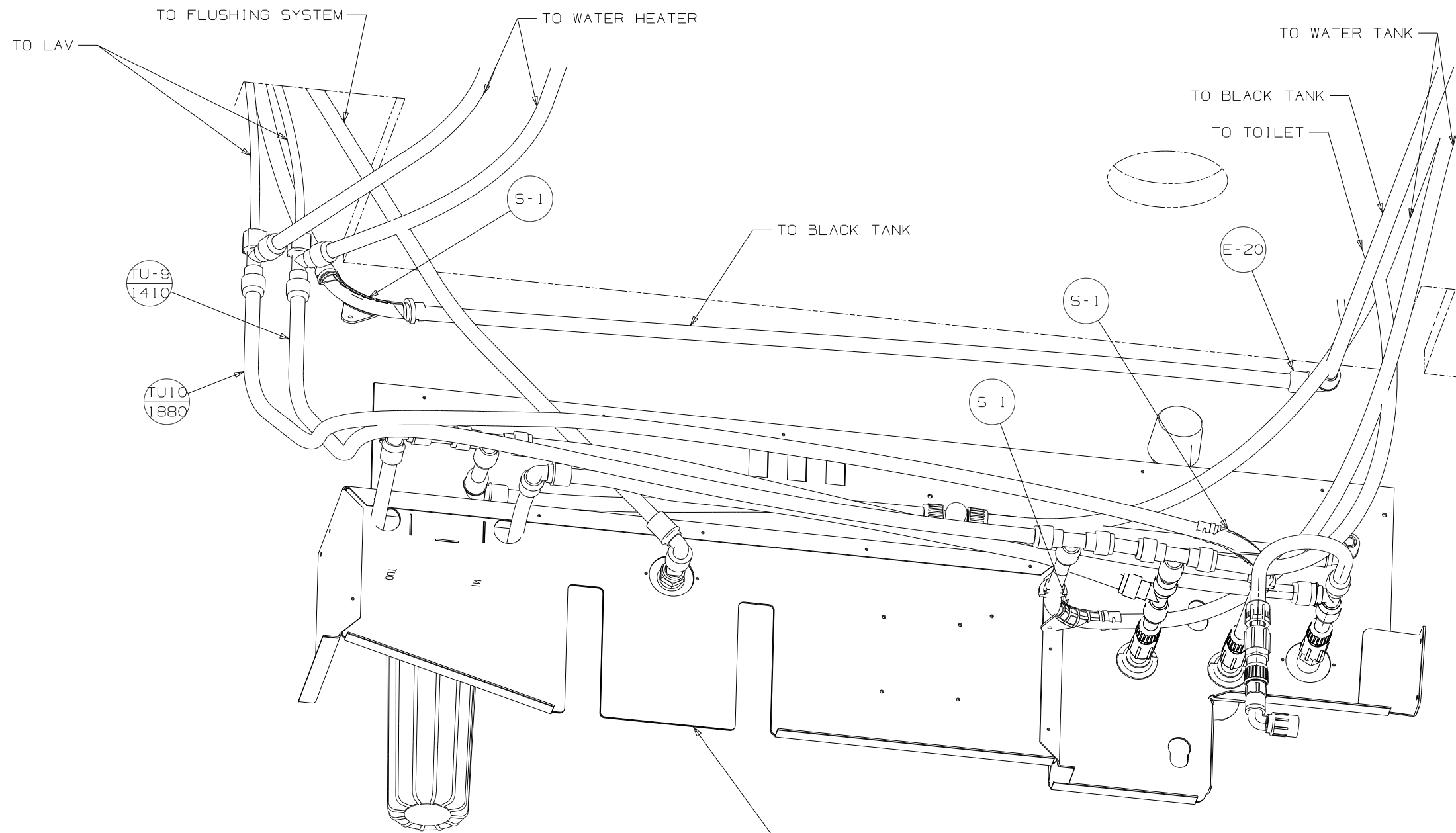
FAUCET-TRIM KIT
144596-02-CHT

VIEW B

VIEW C
(FLOOR NOT SHOWN)

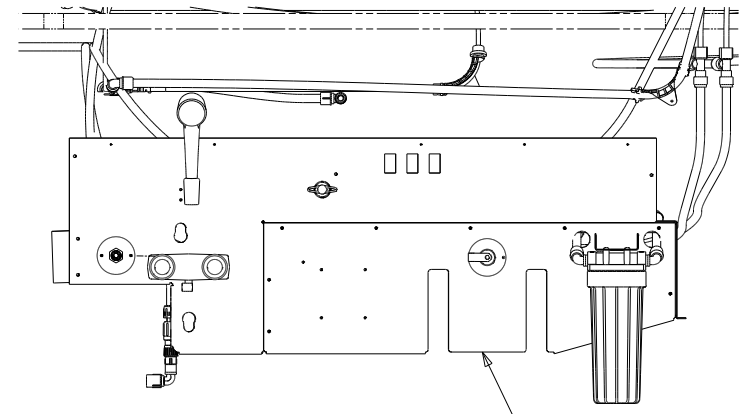
VIEW D

FIRST USED	OB R40KD	
TITLE	DO NOT SCALE DRAWING	
	WATER SYSTEM INSTL	
SHEET 2	PART NO	160907
		REV



SERVICE CENTER ASM
157511-02-XXX

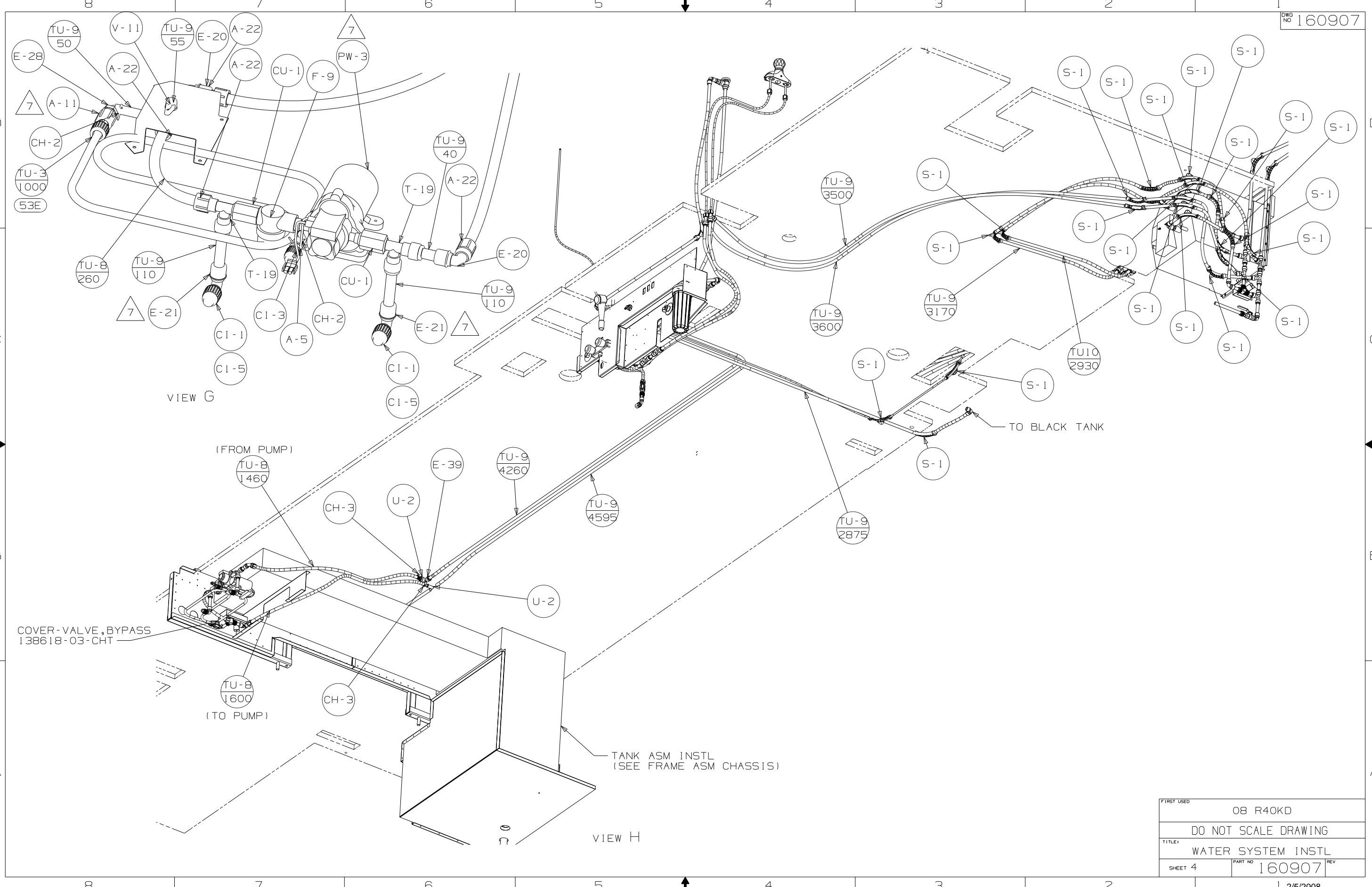
VIEW F



SERVICE CENTER ASM
145207-14-XXX

VIEW E

FIRST USED	OB R40KD		
TITLE	DO NOT SCALE DRAWING		
TITLE	WATER SYSTEM INSTL		
SHEET 3	PART NO	160907	REV



FIRST USED	OB R40KD		
TITLE	DO NOT SCALE DRAWING		
TITLE	WATER SYSTEM INSTL		
SHEET 4	PART NO	160907	REV

