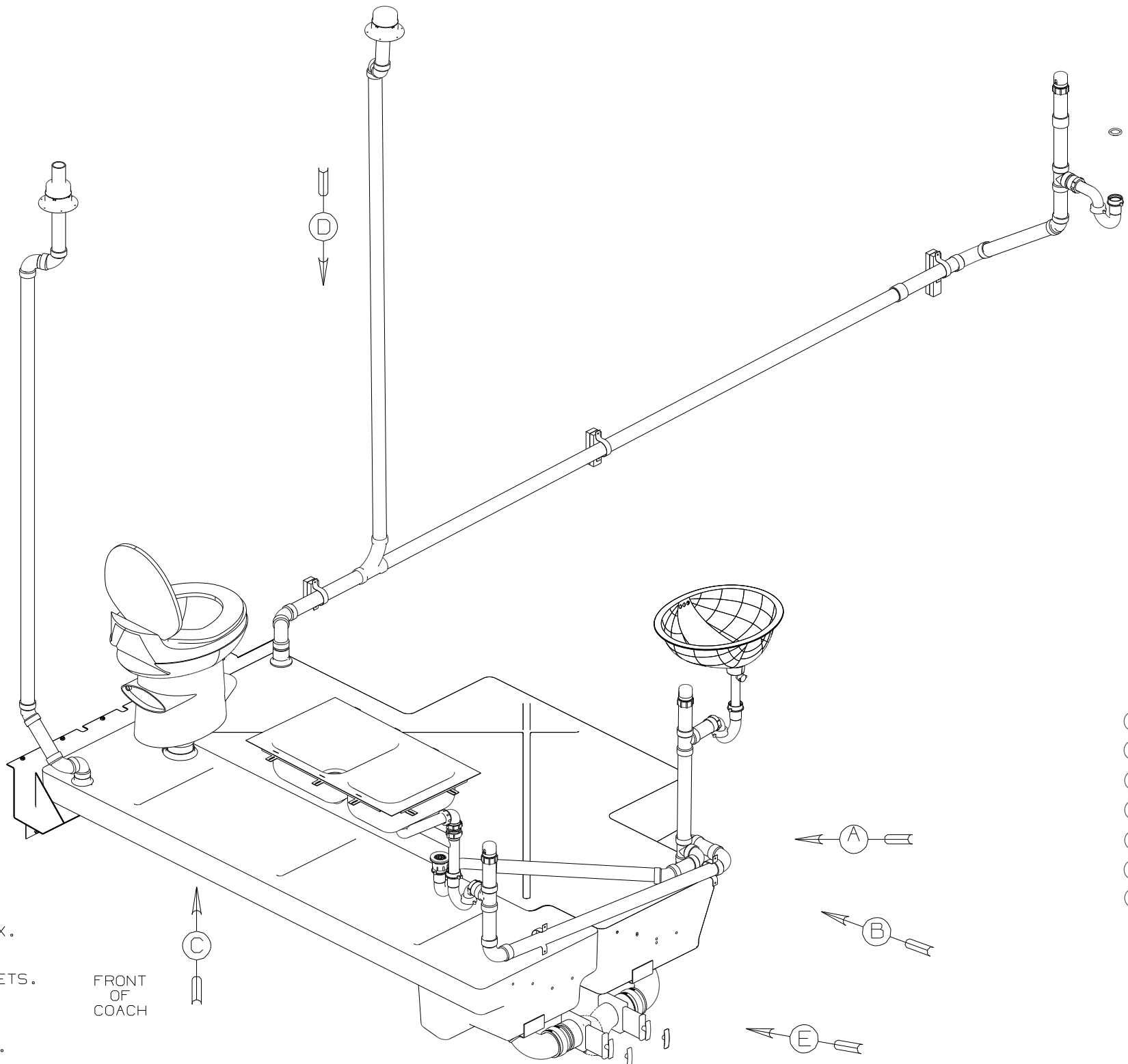


DWG NO	-----
163247-01	(WIN)
163247-02	(ITA)

RELEASE	REV DATE	DWG NO
A		163247
REV ZONE	REVISION RECORD	DATE
		DFTR-016



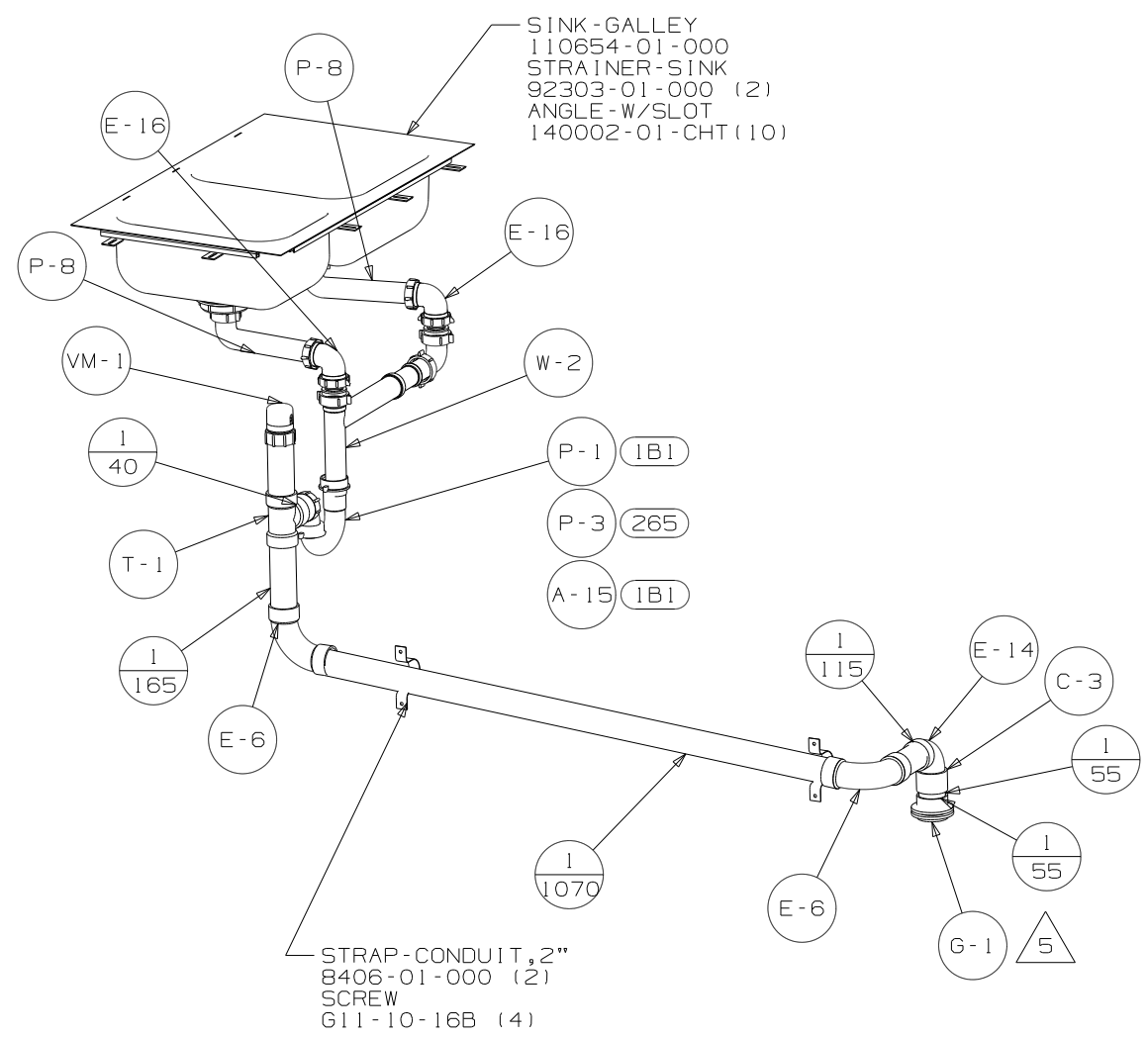
- NOTES:
1. SLOPE OF HORIZONTAL PIPING TO BE 6 PER 305 mm.
  2. SLOPE OF TRAP ARM MUST BE 6 PER 305.
  3. ALL PIPE AND FITTINGS TO BE ASSEMBLED WITH SOLVENT 4020-01-000.
  4. ALL EXTERIOR OPENINGS AROUND PIPE TO BE SEALED WITH 110744-01-000.
  5. SECURE VENT TUBES TO FLOOR WITH BRACKET.
  6. SEAL ALL AROUND SHOWER WITH SILICONE.
  7. SEE DWG 61607-01-000 FOR INSTL OF GROMMETS.
  8. VENT PIPE MUST PROJECT 51 MIN AND 64 MAX. ABOVE ROOF FOR PROPER FIT AND FUNCTION.

FRONT  
OF  
COACH

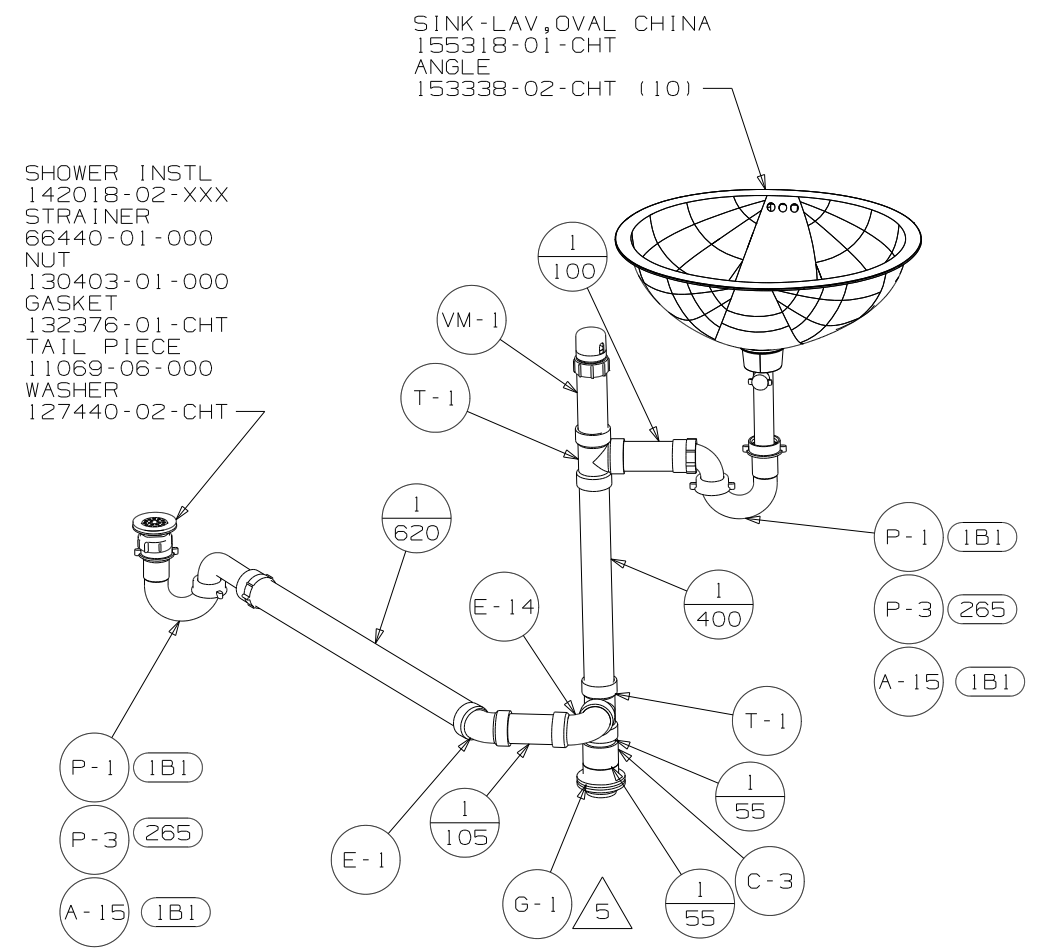
- (WIN) WINNEBAGO ONLY
- (ITA) ITASCA ONLY
- (IB1) CODES/STANDARDS-USA
- (265) CODES/STDS-CSA/CMVSS
- (54E) WASHER/DRYER
- (21M) WASHER/DRYER PREP
- (43Q) TOILET-PORCELAIN

<b>WINNEBAGO</b>		COPYRIGHT 2007 WINNEBAGO INDUSTRIES, INC.	
DFTR	ORIG. DATE	ALL DIMENSIONS ARE IN MILLIMETERS	
CHKR		FIRST USED	
P.E.		08 R40FD	
M.E.		UNSPECIFIED TOLERANCES ARE:	
DSNR		MATERIAL:	
		WHOLE DIM (X) :	3
		ONE-PLACE (X.X) :	
		TWO-PLACE (X.XX) :	
		ANGLE :	
THIRD ANGLE PROJECTION		DO NOT SCALE DRAWING	
TITLE: DRAINAGE SYSTEM INSTL			
SHEET 1 OF 4	PART NO	163247	REV
REF:	12/5/2007		

(X-X)  
FOR  
DRAINAGE  
CALLOUTS  
SEE DWG NO  
116229-01-000

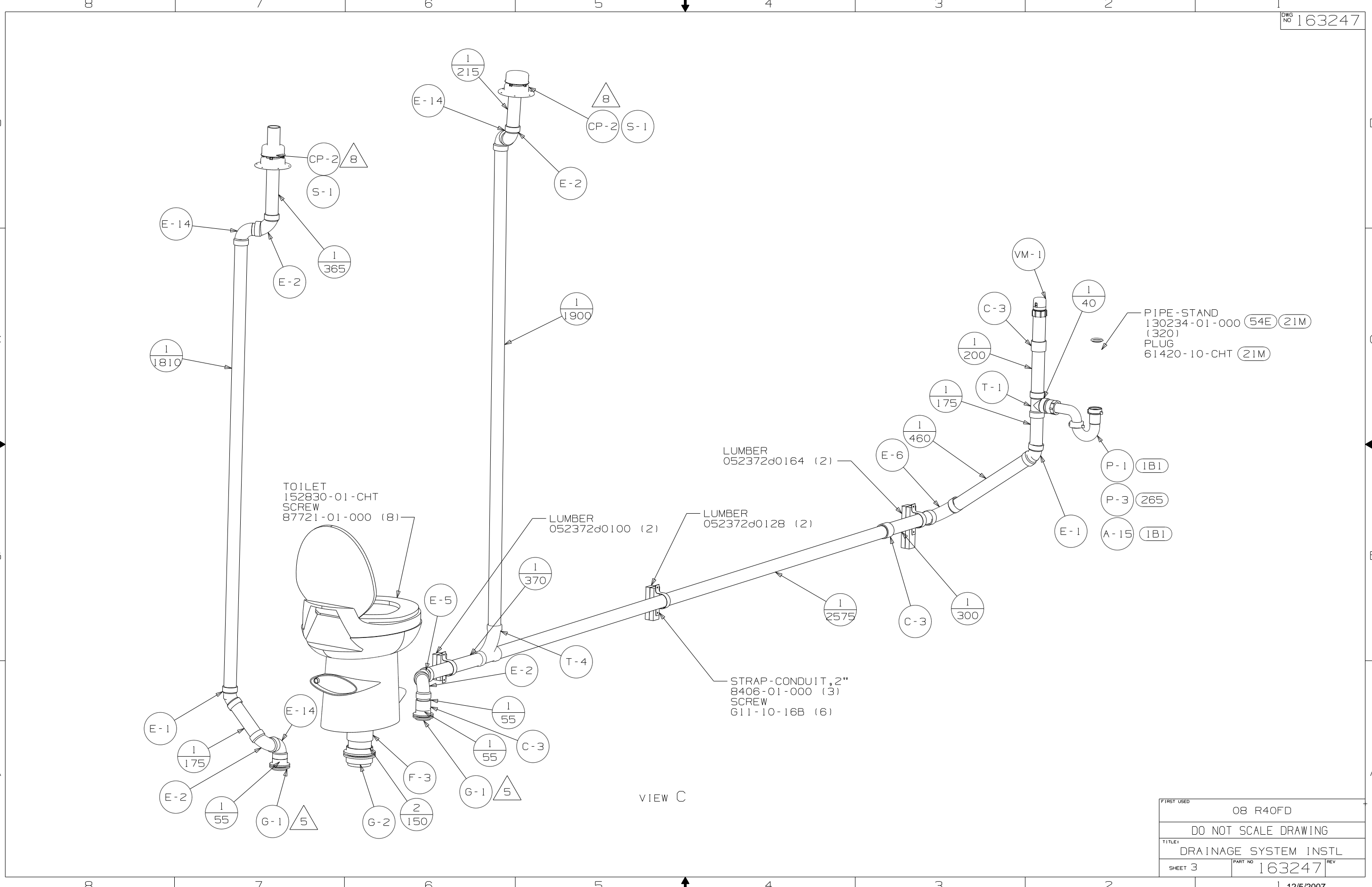


VIEW A



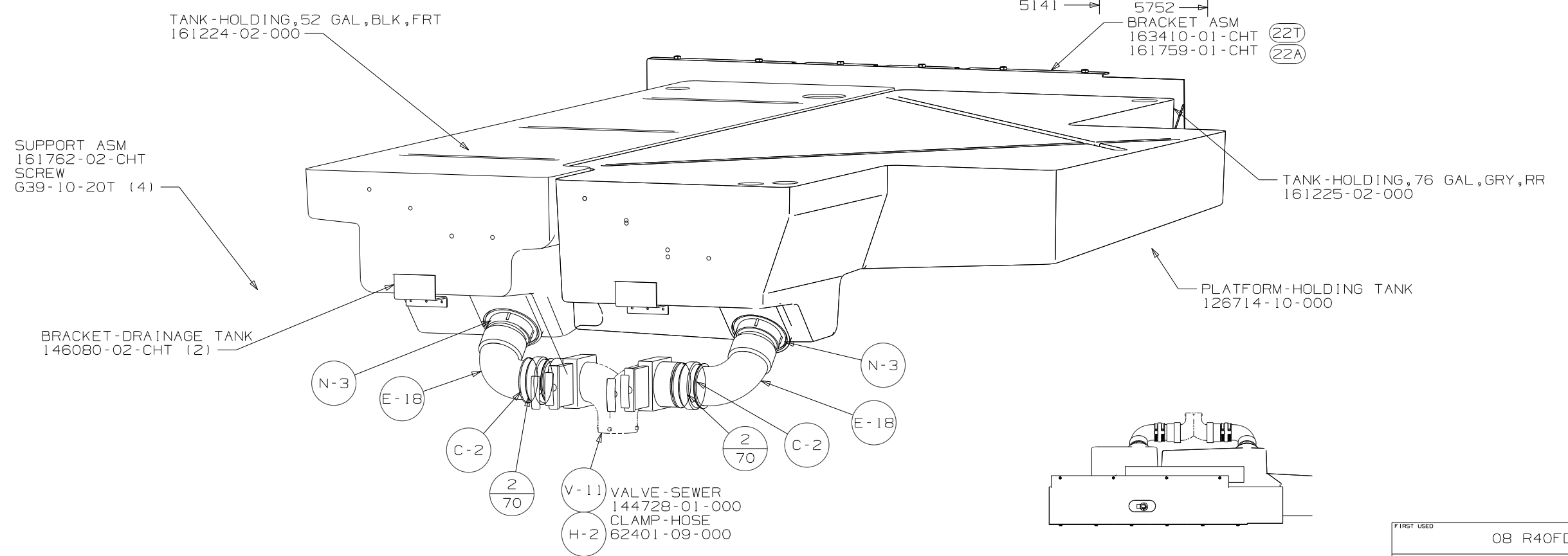
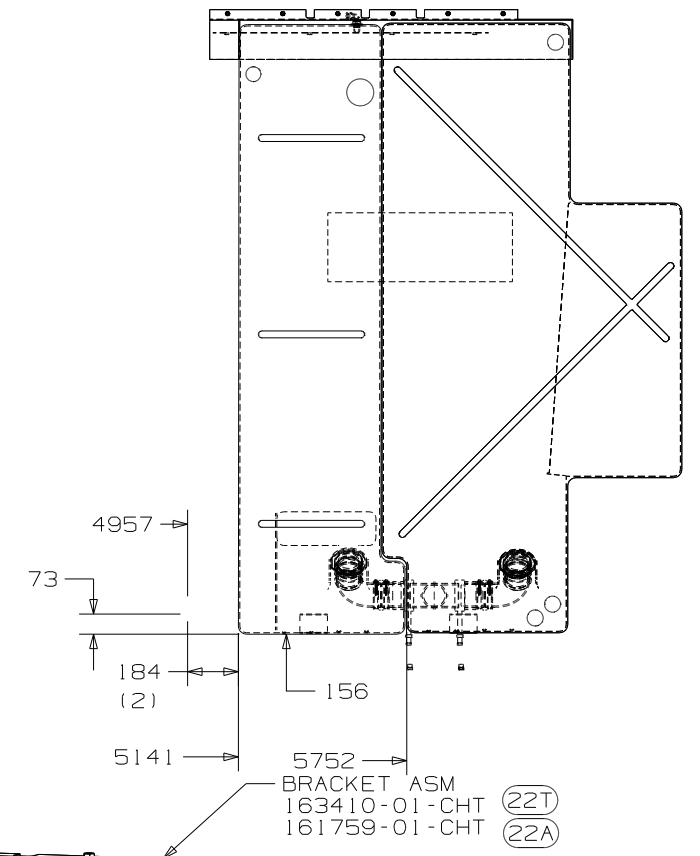
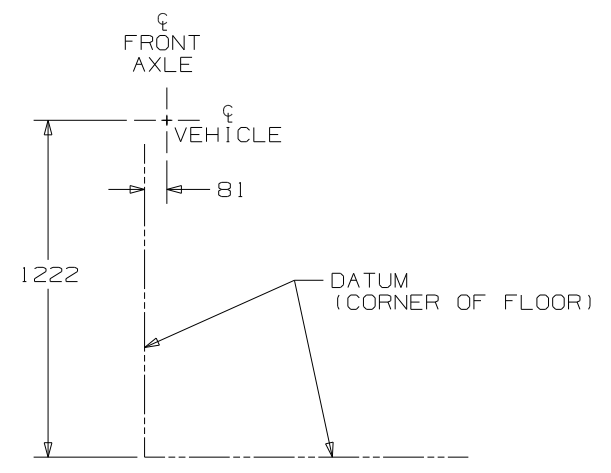
VIEW B

FIRST USED	08 R40FD	
DO NOT SCALE DRAWING		
TITLE:	DRAINAGE SYSTEM INSTL	
SHEET 2	PART NO	163247
REV		



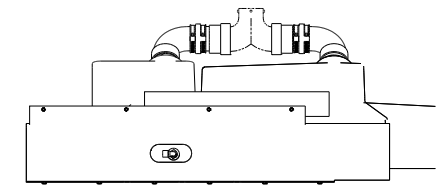
VIEW C

FIRST USED	OB R40FD	
TITLE	DO NOT SCALE DRAWING	
	DRAINAGE SYSTEM INSTL	
SHEET 3	PART NO	163247
	REV	



VIEW D

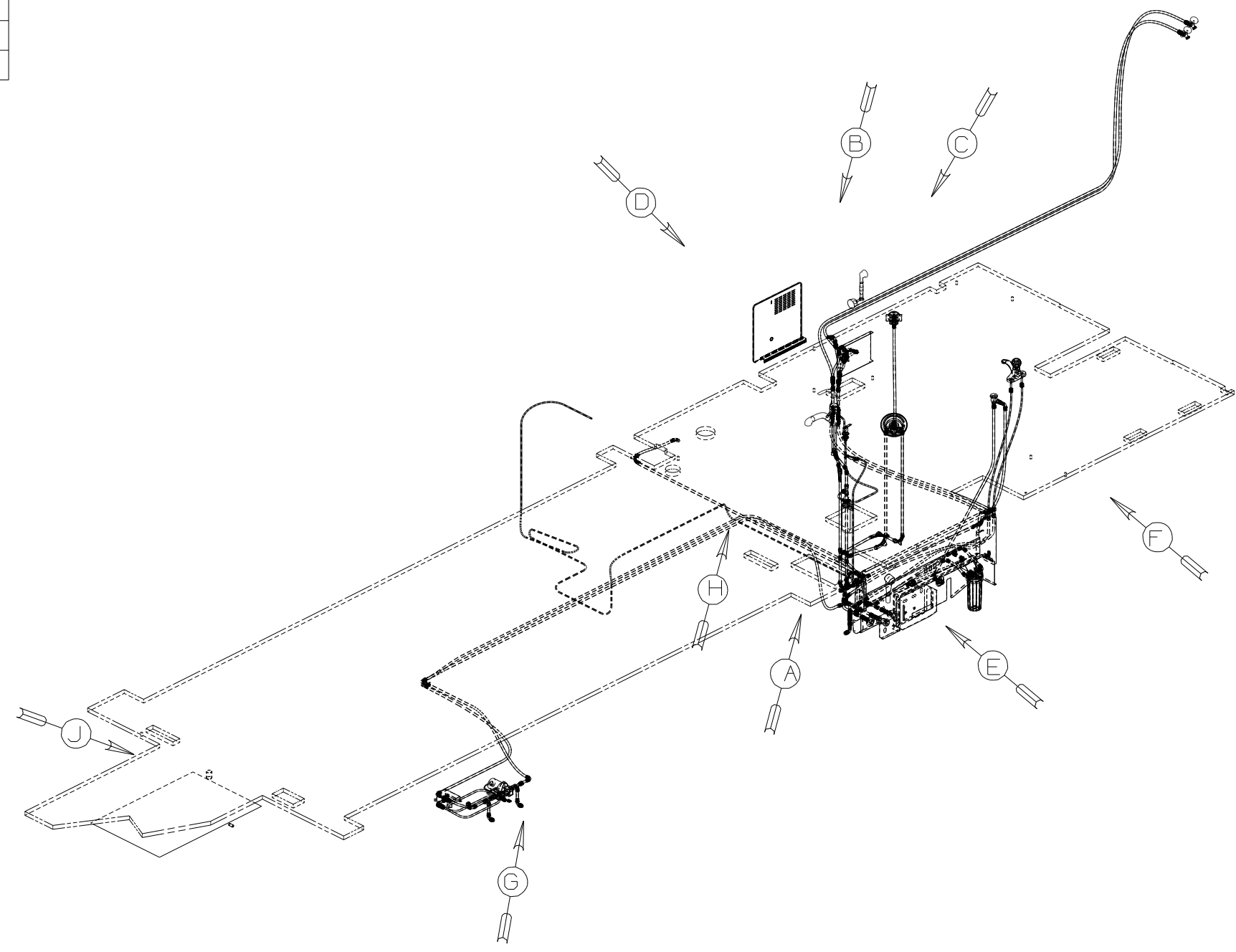
VIEW E



FIRST USED	OB R40FD	
TITLE	DO NOT SCALE DRAWING	
	DRAINAGE SYSTEM INSTL	
SHEET 4	PART NO	163247 REV

DWG NO	--
163256-01	(WIN)
163256-02	(ITA)

RELEASE	REV DATE	DWG NO
A		163256
REV ZONE	REVISION RECORD	DATE DFR-ORIG



- (WIN) WINNEBAGO ONLY
- (ITA) ITASCA ONLY
- (54E) WASHER/DRYER
- (21M) WASHER/DRYER PREP
- (53E) WATER SYSTEM WINTERIZATION PKG
- (79W) REFRIGERATOR-4 DR W/ICEMAKER
- (29B) WATER PURIFICATION SYSTEM

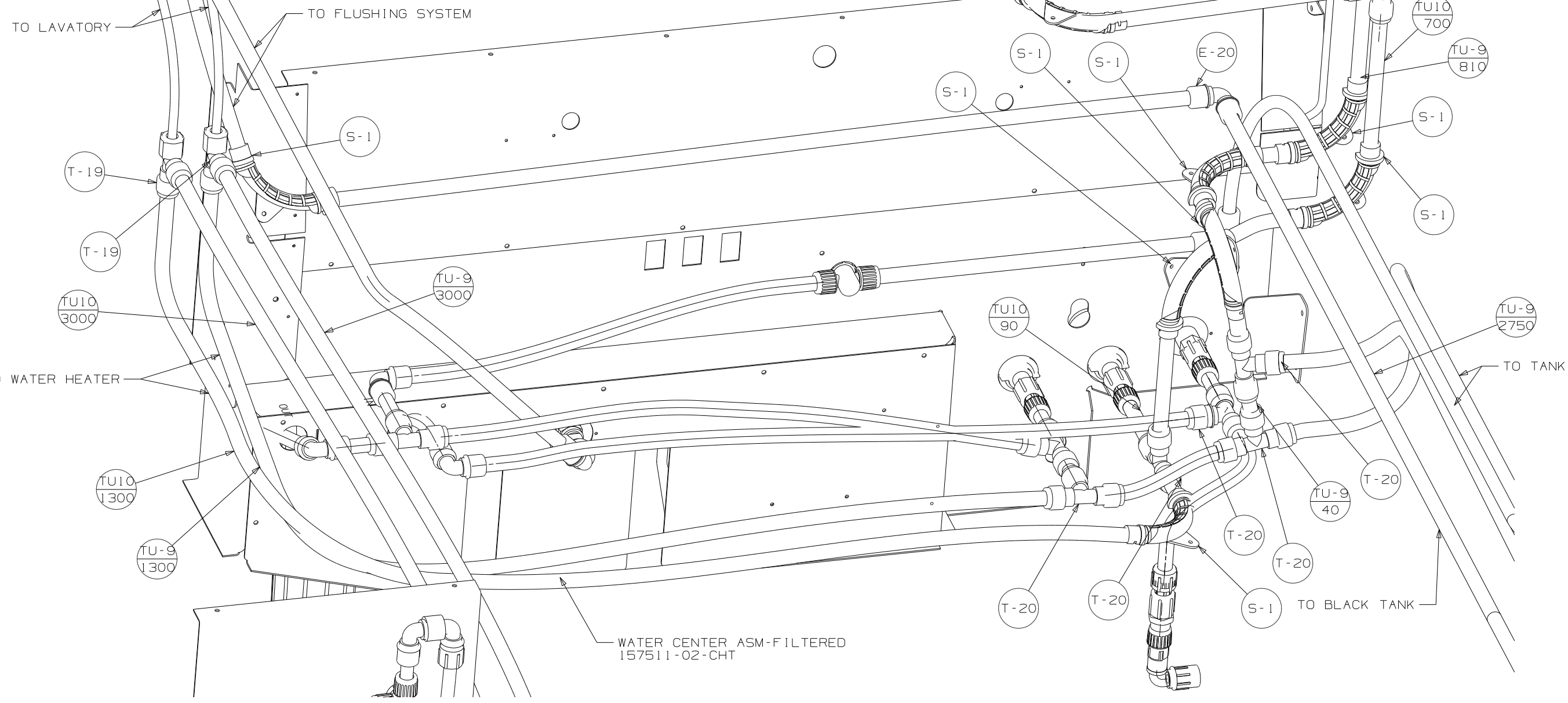
- 9. TAPE FITTING TO TUBE BEFORE CABINET SET TO PREVENT FITTING FROM MOVING.
  - 8. LABEL HOT AND COLD SUPPLY TUBES.
  - 7. ADD PIPE WRAP (LADDER SCRAP 110157-02-000) INSULATION.
  - 6. ADD TEFLON TAPE 10405-03-000.
  - 5. ADD TEFLON TAPE 10405-02-000.
  - 4. ADD TEFLON TAPE 10405-01-000.
3. ALL TUBING TO BE SECURED AT 1200 INTERVALS MAXIMUM WITH CLAMP 10495-01-000 AND SCREW G67-10-12B OR EQUIVALENT.
  2. TUBING TO BE INSTALLED WITH SUFFICIENT SLOPE TO PROVIDE DRAINAGE TO NEAREST VALVE.
  1. PLASTIC FITTINGS TO BE SEALED WITH SEALANT 84456-01-000.

NOTES:

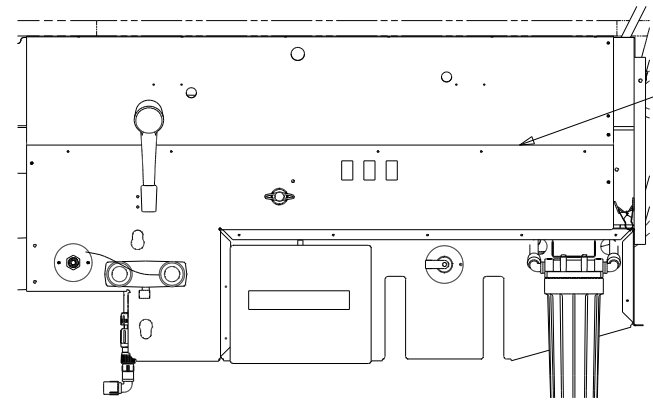
(X-X)  
FOR  
WATER  
CALLOUTS  
SEE DWG NO  
116230-01-000

<b>WINNEBAGO</b>		COPYRIGHT 2008 WINNEBAGO INDUSTRIES, INC.	
DFTR	ORIG. DATE	ALL DIMENSIONS ARE IN MILLIMETERS	
CHKR		FIRST USED	
P.E.		08 R40FD	
M.E.		UNSPECIFIED TOLERANCES ARE:	
DSNR		MATERIAL:	
		WHOLE DIM (X)	: 3
		ONE-PLACE (X.X)	: 1.5
		TWO-PLACE (X.XX)	: 0.50
		ANGLE	: 1°
THIRD ANGLE PROJECTION		DO NOT SCALE DRAWING	
TITLE: WATER SYSTEM INSTL			
SHEET 1 OF 4	PART NO	163256	REV
REF:	1 2/5/2008		



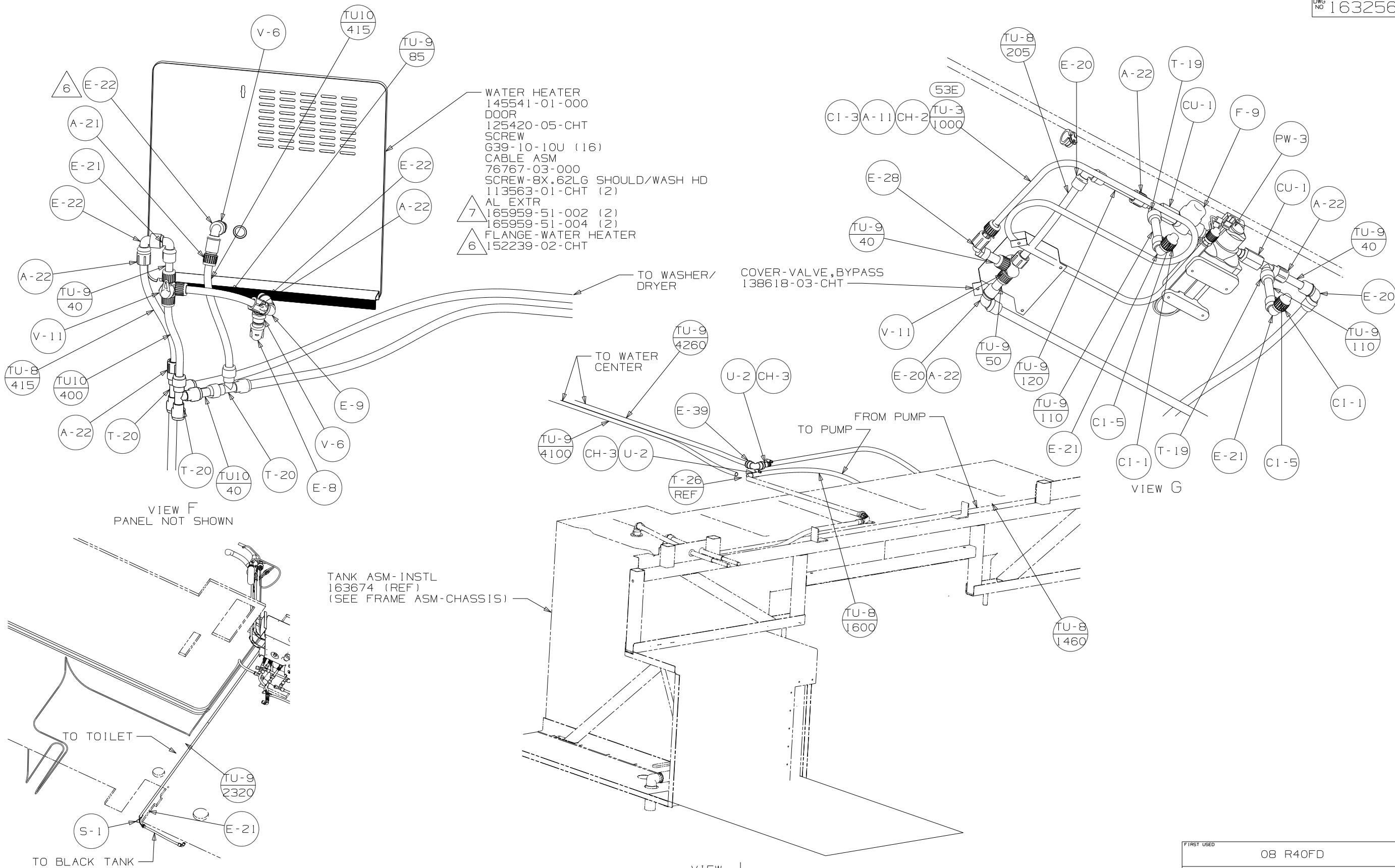


VIEW D



VIEW E

FIRST USED	OB R40FD	
TITLE	DO NOT SCALE DRAWING	
TITLE	WATER SYSTEM INSTL	
SHEET 3	PART NO	163256
REV		



FIRST USED	OB R40FD		
TITLE	DO NOT SCALE DRAWING		
TITLE	WATER SYSTEM INSTL		
SHEET 4	PART NO	163256	REV