

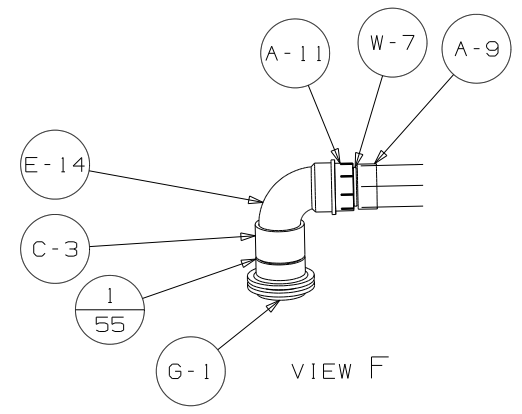
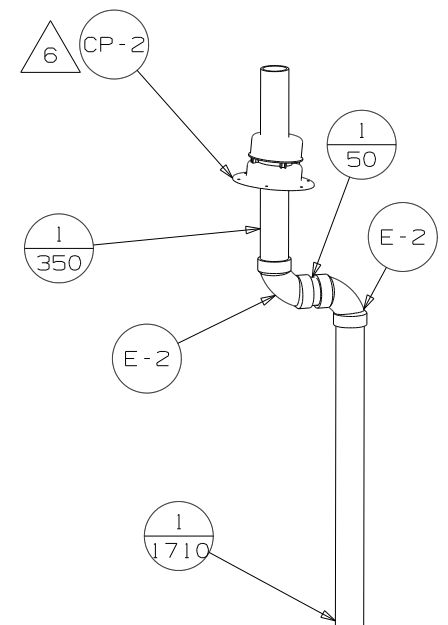
- 9. DO NOT ATTACH ANY OTHER SYSTEM TO PIPE-FLEX 126426-01.
- 8. SECURE DRAINAGE PIPES TO CABINET USING WIRE TIE 108046-02-000, AND SCREW G67-10-12B AT INTERVALS OF NOT MORE THAN 4 FEET APART.
- 7. SECURE VENT PIPE TO FLOOR WITH CLAMP 62401-02-000 (2), SCREW G67-10-12B (2), BRACKET 136878-01-CHT (2).
- 6. VENT PIPE MUST PROJECT 51 MIN AND 64 MAX ABOVE ROOF FOR PROPER FIT AND FUNCTION.
- 5. SEAL AROUND SHOWER WITH SILICONE.
- 4. ALL EXTERIOR OPENINGS AROUND PIPE TO BE SEALED WITH 131264-05-000.
- 3. ALL PIPE AND FITTINGS TO BE ASSEMBLED WITH SOLVENT 4020-01-000 (USA), 4020-02-000 (CAN)
- 2. SLOPE OF TRAP ARM MUST BE 6 PER 305 mm.
- 1. SLOPE OF HORIZONTAL PIPING TO BE MINIMUM OF 3 PER 305 mm.

- (1B1) CODES/STANDARDS-USA
- (265) CODES/STDS-CSA-/CMVSS
- (54E) WASHER/DRYER
- (21M) WASHER/DRYER PREP

<b>WINNEBAGO</b>		COPYRIGHT 2007 WINNEBAGO INDUSTRIES, INC.	
DFT	ORIG. DATE	ALL DIMENSIONS ARE IN MILLIMETERS	
CHKR		FIRST USED	
P.E.		08 P39W	
M.E.		UNSPECIFIED TOLERANCES ARE:	
DSNR		MATERIAL:	
		WHOLE DIM (X)	: 3
		ONE-PLACE (X.X)	: 1.5
		TWO-PLACE (X.XX)	: 0.50
		ANGLE	: 1°
		THIRD ANGLE PROJECTION	
DO NOT SCALE DRAWING			
TITLE: DRAINAGE SYSTEM INSTL			
SHEET 1 OF 4	PART NO	163059	REV

(X-X)  
FOR  
DRAINAGE  
CALLOUTS  
SEE DWG NO  
116229-01-000

NOTES:



SINK-SST  
 104113-01-000  
 STRAINER  
 92303-01-000 (2)  
 ANGLE-W/SLOT  
 140002-01-CHT (10)  
 SCREW  
 G67-10-08B (10)  
 SEAL  
 (A/R)

TOILET-STYLE LITE, W/SPRAYER  
 160815-01-CHT  
 SCREW  
 87721-01-000 (8)

SHOWER INSTL  
 147868-05-000  
 STRAINER  
 66440-01-000  
 WASHER  
 127440-02-CHT

PRIMER  
 126427-02-000  
 CEMENT  
 126427-01-000 (USA)  
 126427-03-000 (CAN)

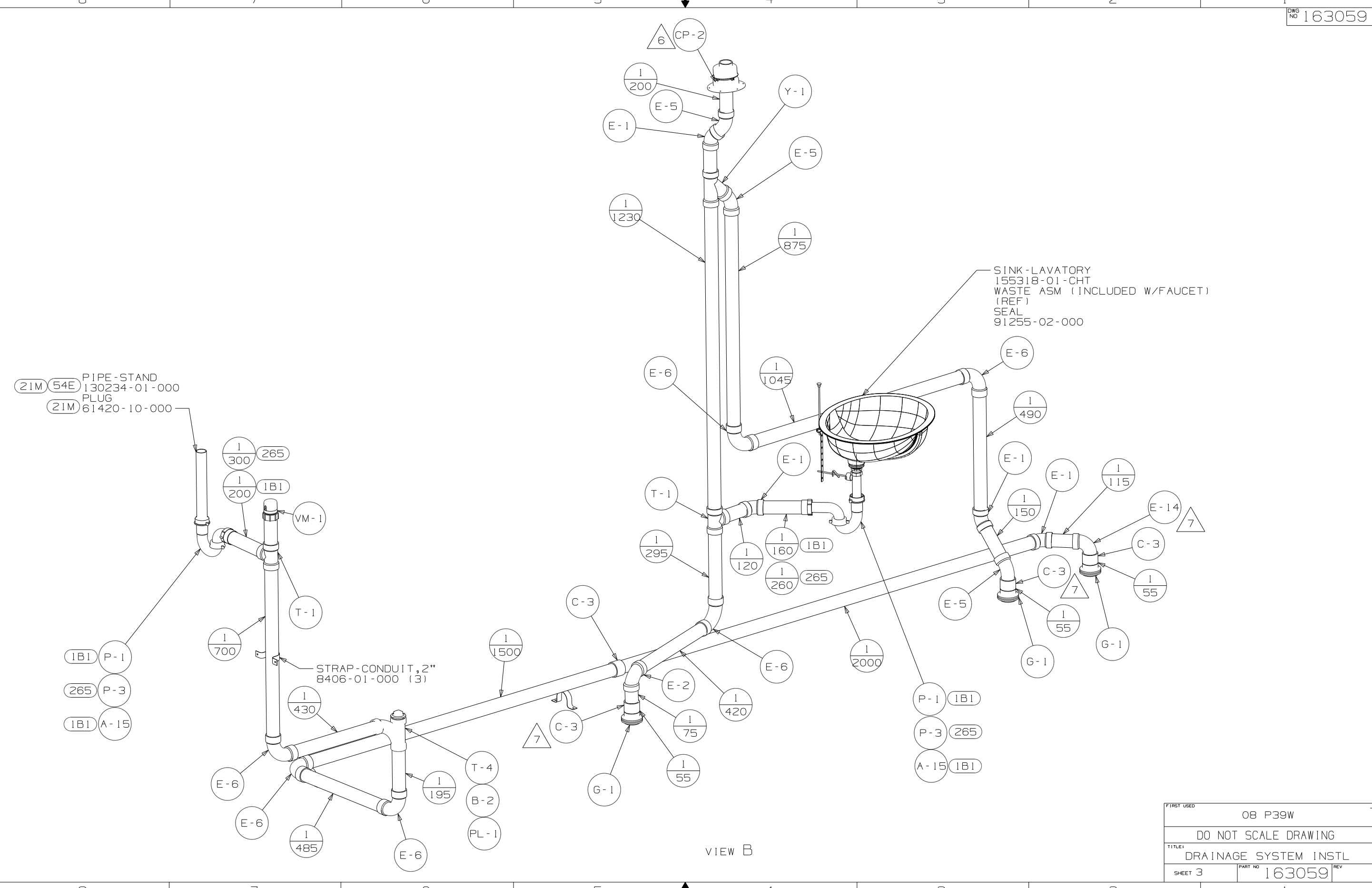
STRAP-CONDUIT, 2"  
 8406-01-000 (3)

ELBOW-DRAIN  
 131486-01-000

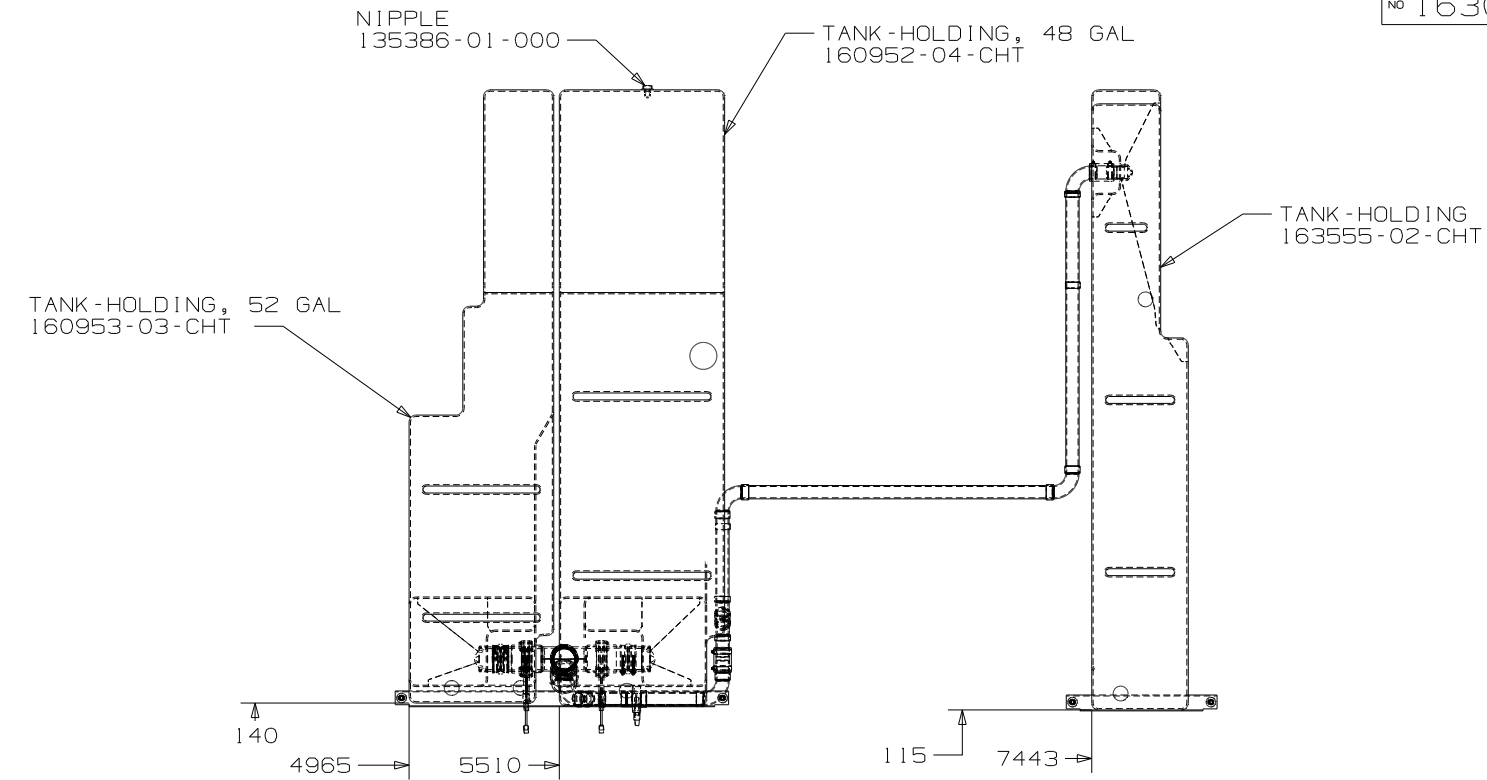
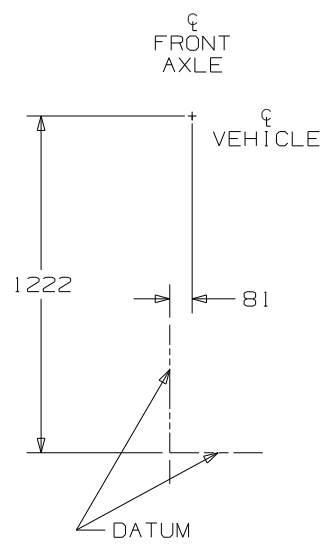
VIEW A

VIEW F

FIRST USED	08 P39W	
TITLE	DRAINAGE SYSTEM INSTL	
SHEET 2	PART NO	163059
	REV	

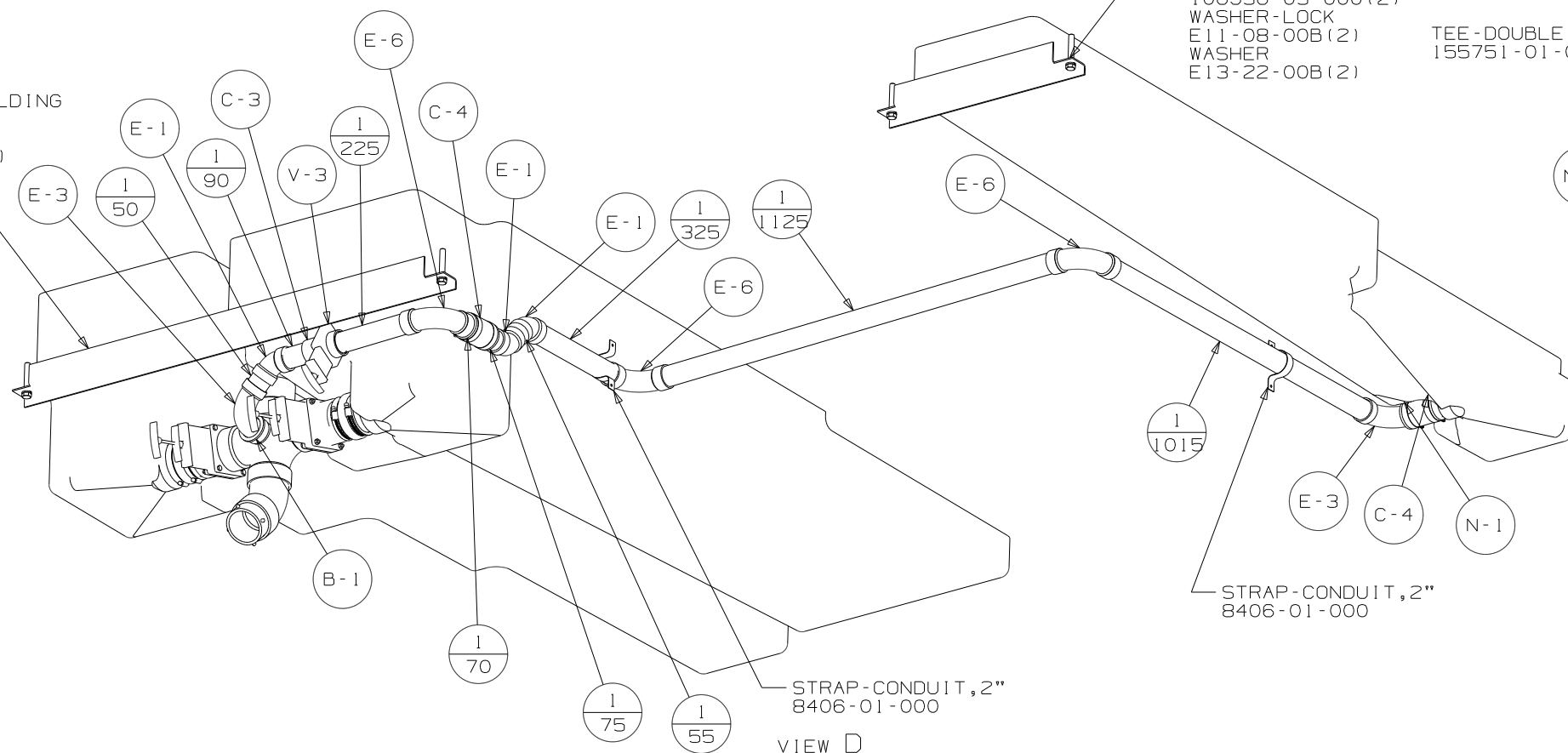


FIRST USED	08 P39W
DO NOT SCALE DRAWING	
TITLE:	DRAINAGE SYSTEM INSTL
SHEET 3	PART NO 163059 REV
1 10/25/2007	



VIEW C

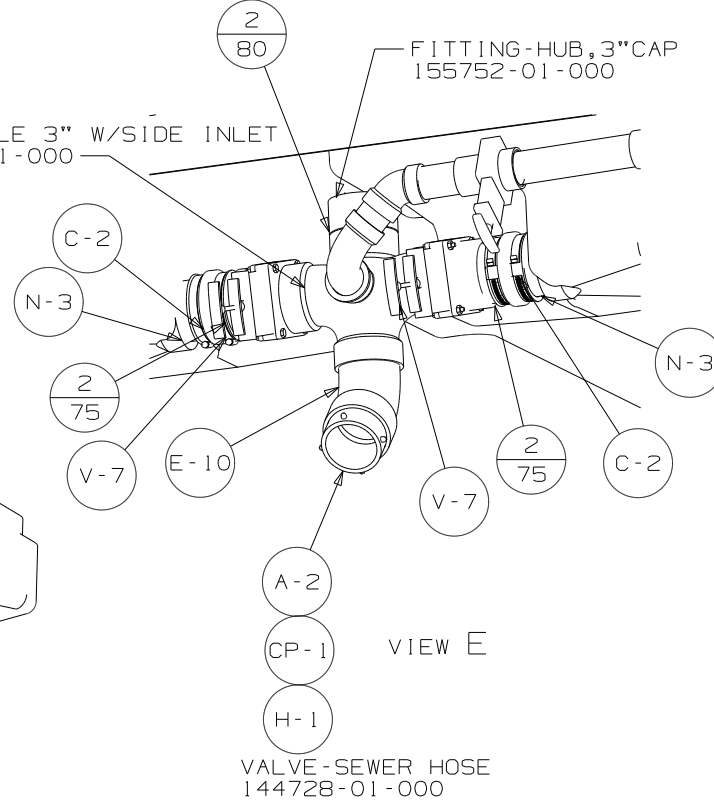
- BRACKET-TANK, HOLDING 161534-02-CHT
- BOLT 106956-03-000 (2)
- WASHER-LOCK E11-08-00B (2)
- WASHER E13-22-00B (2)



VIEW D

- BRACKET-TANK, HOLDING 161534-01-CHT
- BOLT 106956-03-000 (2)
- WASHER-LOCK E11-08-00B (2)
- WASHER E13-22-00B (2)

- TEE-DOUBLE 3" W/SIDE INLET 155751-01-000
- FITTING-HUB, 3" CAP 155752-01-000

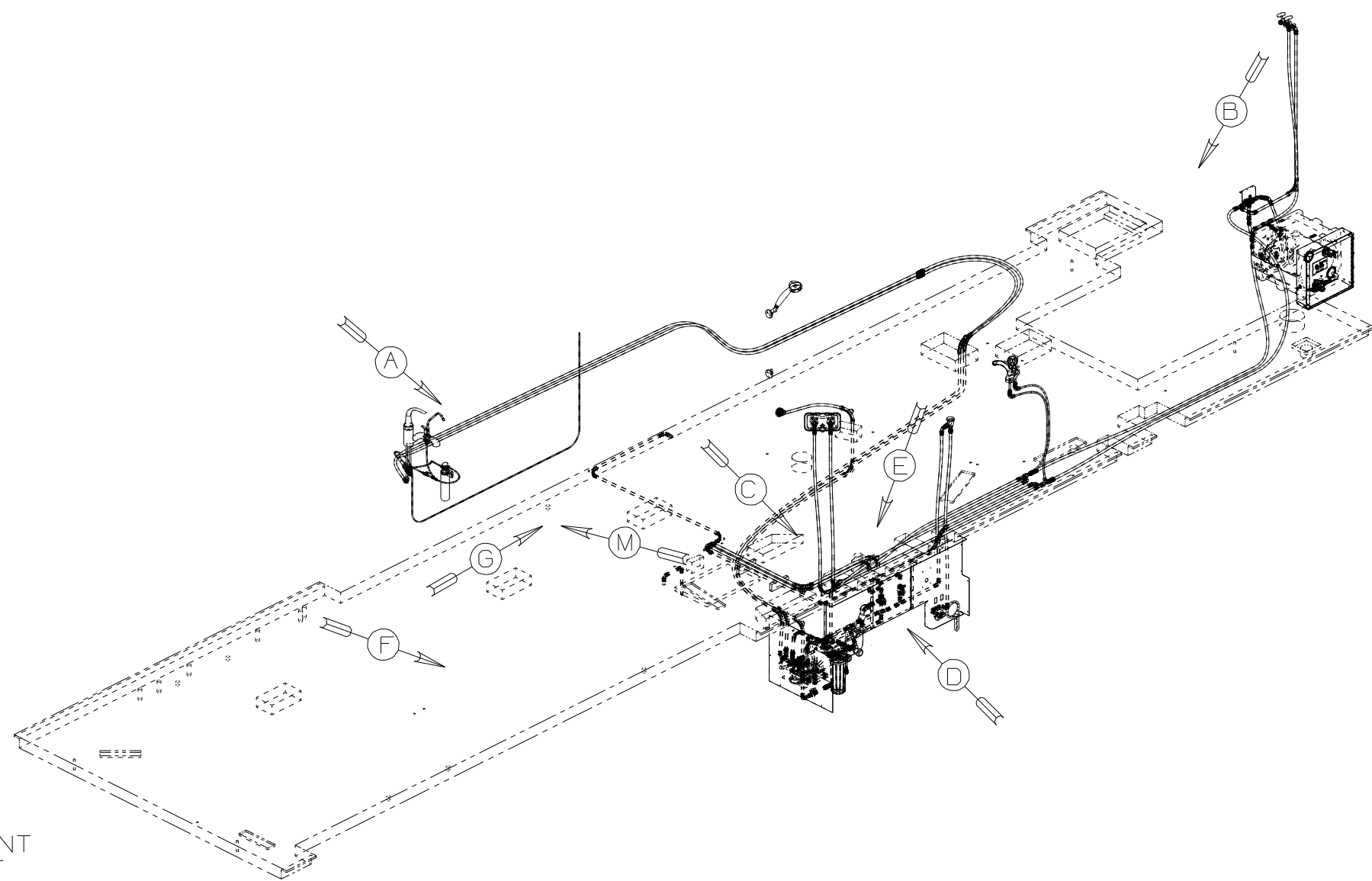


VIEW E

FIRST USED	08 P39W
DO NOT SCALE DRAWING	
TITLE:	DRAINAGE SYSTEM INSTL
SHEET 4	PART NO 163059 REV

8 7 6 5 4 3 2

RELEASE	REV DATE	DWG NO
A		163058
REV ZONE	REVISION RECORD	DATE



FRONT  
OF  
COACH

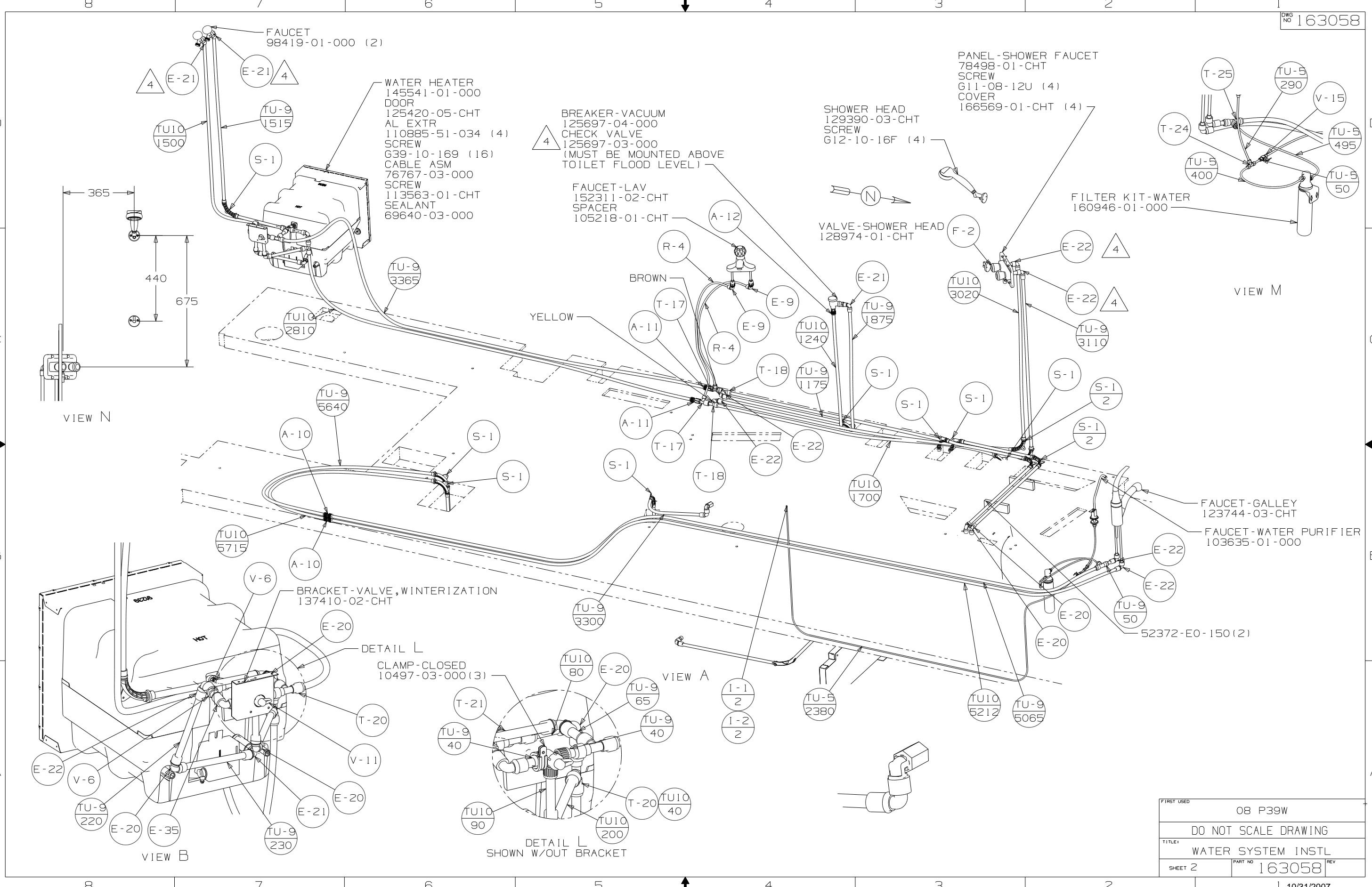
79W REFRIGERATOR-4 DOOR

- NOTES:
- △6 ADD TEFLON TAPE 10405-03-000.
  - △5 ADD TEFLON TAPE 10405-02-000.
  - △4 ADD TEFLON TAPE 10405-01-000.
  - 3. ALL TUBING TO BE SECURED AT 1200 INTERVALS MAXIMUM WITH CLAMP 10495-01-000 AND SCREW G67-10-12B OR EQUIVALENT.
  - 2. TUBING TO BE INSTALLED WITH SUFFICIENT SLOPE TO PROVIDE DRAINAGE TO NEAREST VALVE.
  - 1. PLASTIC FITTINGS TO BE SEALED WITH SEALANT 84456-01-000.

<b>WINNEBAGO</b>		COPYRIGHT 2007 WINNEBAGO INDUSTRIES, INC.	
DFT	ORIG. DATE	ALL DIMENSIONS ARE IN MILLIMETERS	
CHKR		FIRST USED	
P.E.		08 P39W	
M.E.		UNSPECIFIED TOLERANCES ARE:	
DSNR		MATERIAL:	
		WHOLE DIM (X)	: 3
		ONE-PLACE (X.X)	: 1.5
		TWO-PLACE (X.XX)	: 0.50
		ANGLE	: 1°
THIRD ANGLE PROJECTION		DO NOT SCALE DRAWING	
TITLE: WATER SYSTEM INSTL			
SHEET 1 OF 4	PART NO	163058	REV

FOR  
WATER  
CALLOUTS  
SEE DWG NO  
116230-01-000

8 7 6 5 4 3 2



FAUCET  
98419-01-000 (2)

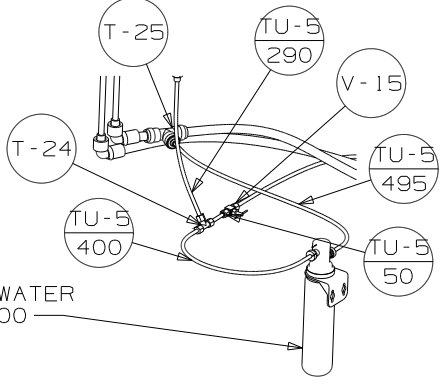
WATER HEATER  
145541-01-000  
DOOR  
125420-05-CHT  
AL EXTR  
110885-51-034 (4)  
SCREW  
G39-10-169 (16)  
CABLE ASM  
76767-03-000  
SCREW  
113563-01-CHT  
SEALANT  
69640-03-000

BREAKER-VACUUM  
125697-04-000  
CHECK VALVE  
125697-03-000  
(MUST BE MOUNTED ABOVE  
TOILET FLOOD LEVEL)

FAUCET-LAV  
152311-02-CHT  
SPACER  
105218-01-CHT

PANEL-SHOWER FAUCET  
78498-01-CHT  
SCREW  
G11-08-12U (4)  
COVER  
166569-01-CHT (4)

FILTER KIT-WATER  
160946-01-000



VIEW M

VIEW N

FAUCET-GALLEY  
123744-03-CHT

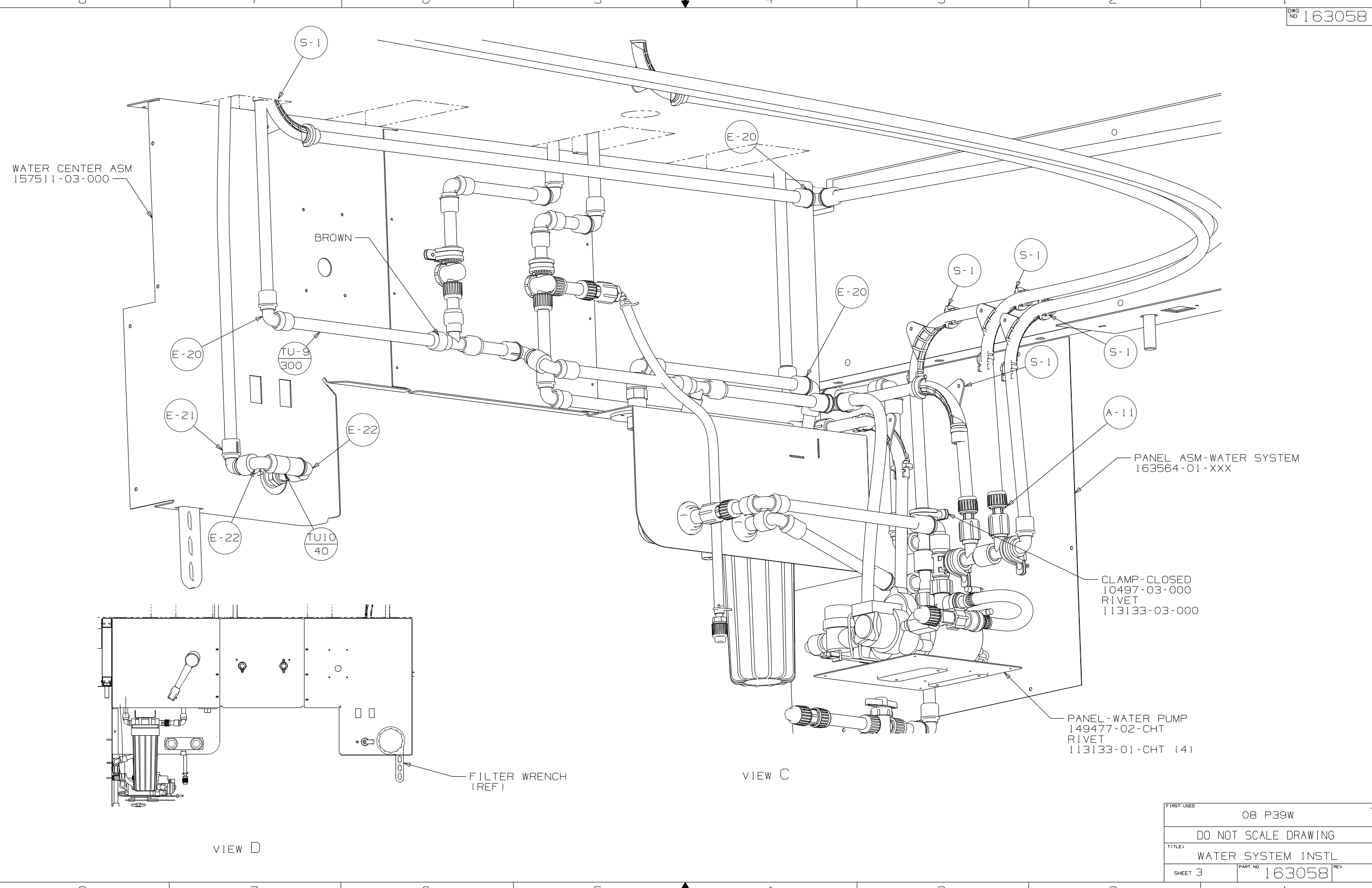
FAUCET-WATER PURIFIER  
103635-01-000

BRACKET-VALVE, WINTERIZATION  
137410-02-CHT

DETAIL L  
CLAMP-CLOSED  
10497-03-000 (3)

DETAIL L  
SHOWN W/OUT BRACKET

FIRST USED	08 P39W	
TITLE:	DO NOT SCALE DRAWING	
	WATER SYSTEM INSTL	
SHEET 2	PART NO	163058
	REV	



WATER CENTER ASM  
157511-03-000

BROWN

E-20

TU-9  
300

E-21

E-22

E-22

TU10  
40

E-20

E-20

S-1

S-1

S-1

S-1

A-11

PANEL ASM-WATER SYSTEM  
163564-01-XXX

CLAMP-CLOSED  
10497-03-000  
RIVET  
113133-03-000

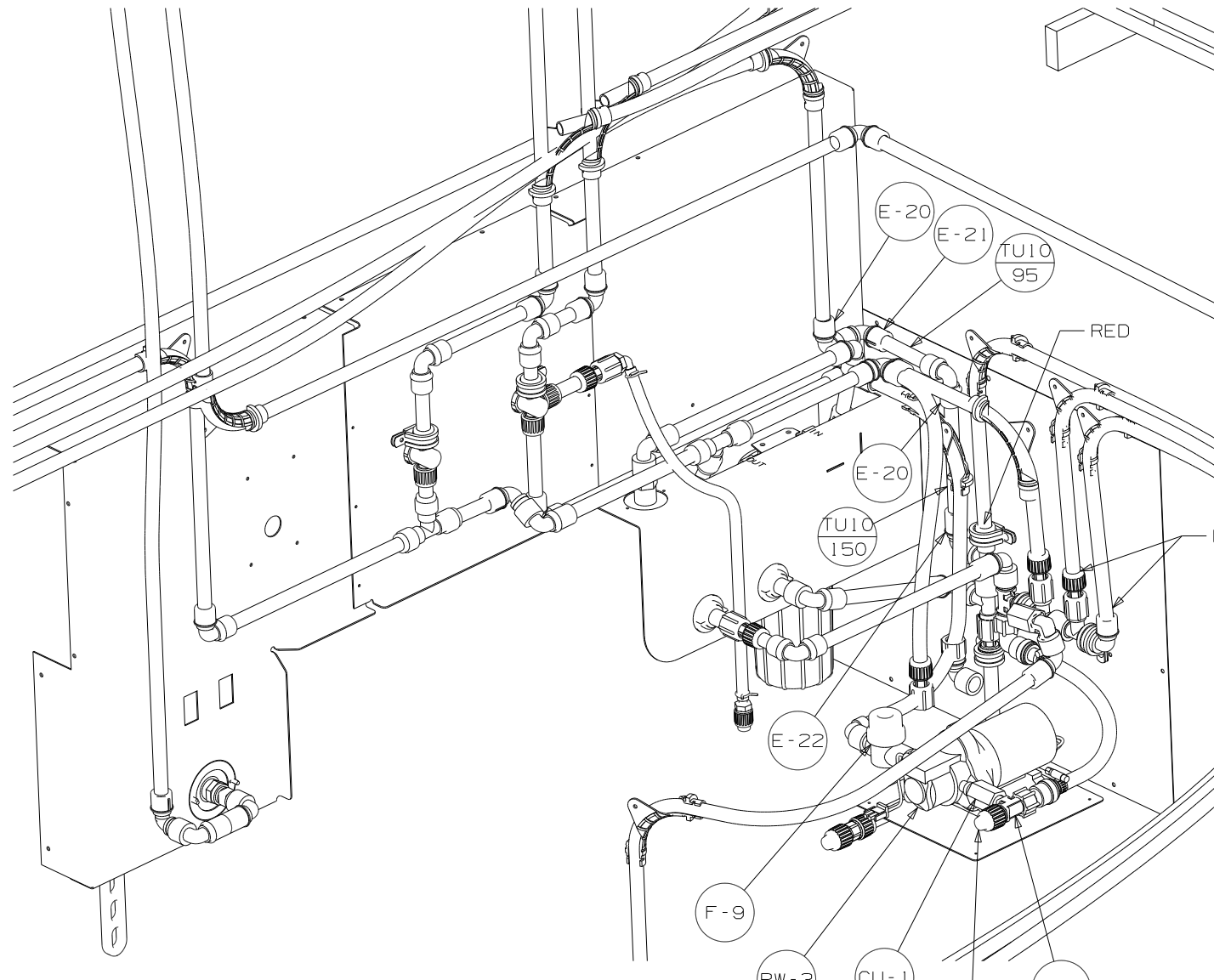
PANEL-WATER PUMP  
149477-02-CHT  
RIVET  
113133-01-CHT (4)

FILTER WRENCH  
(REF)

VIEW C

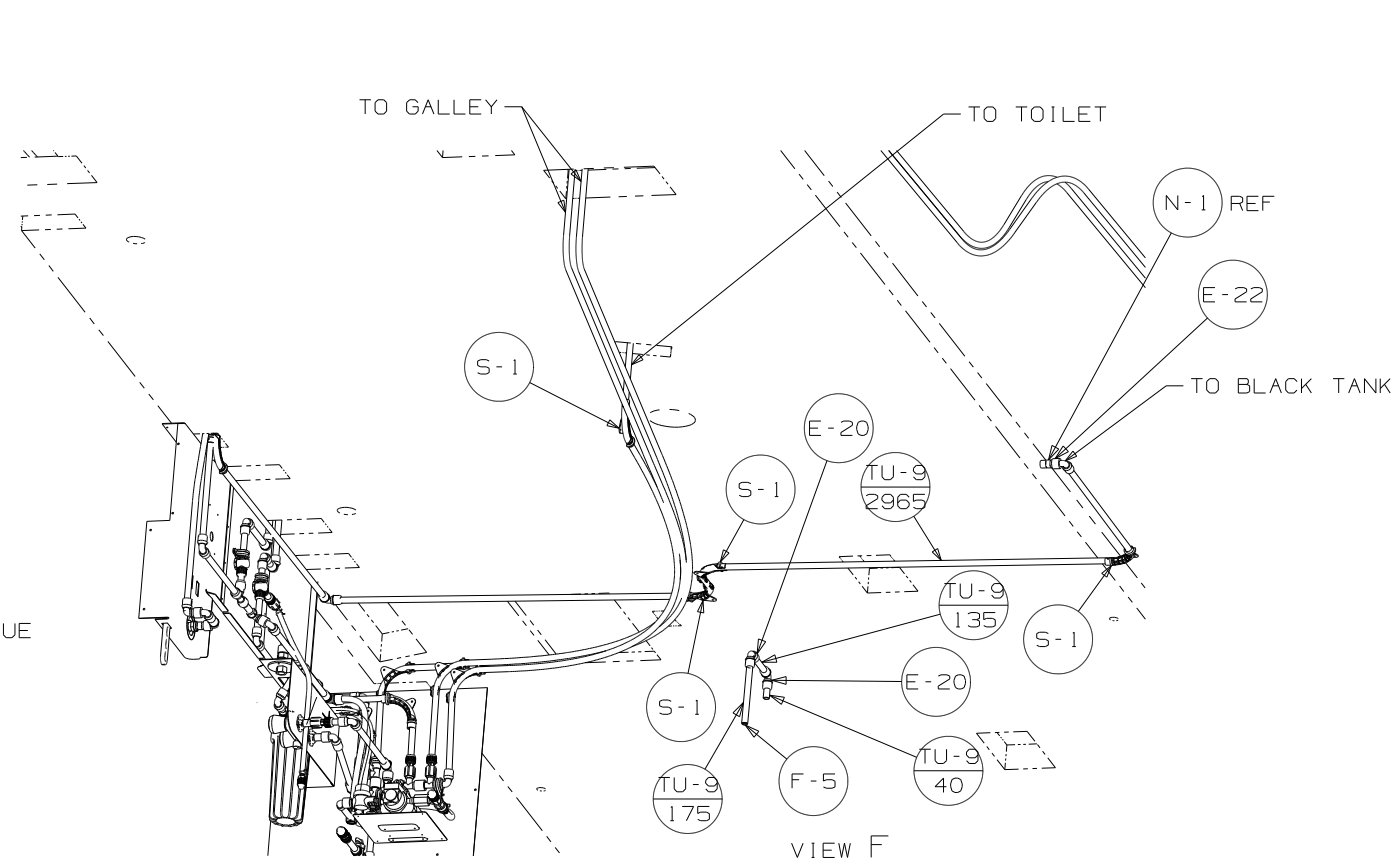
VIEW D

FIRST USED	08 P39W		
TITLE	DO NOT SCALE DRAWING		
TITLE	WATER SYSTEM INSTL		
SHEET 3	PART NO	163058	REV

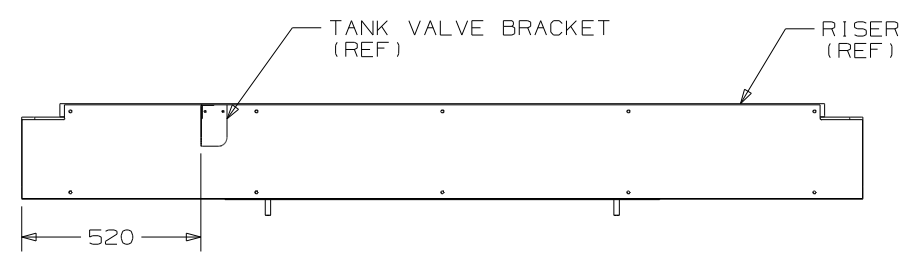


VIEW E  
FLOOR NOT SHOWN

SCREW  
G39-10-20U (4)



VIEW F



VIEW G  
FRONT SIDE OF RISER

FIRST USED	08 P39W
TITLE	DO NOT SCALE DRAWING
SHEET 4	WATER SYSTEM INSTL
PART NO	163058
REV	