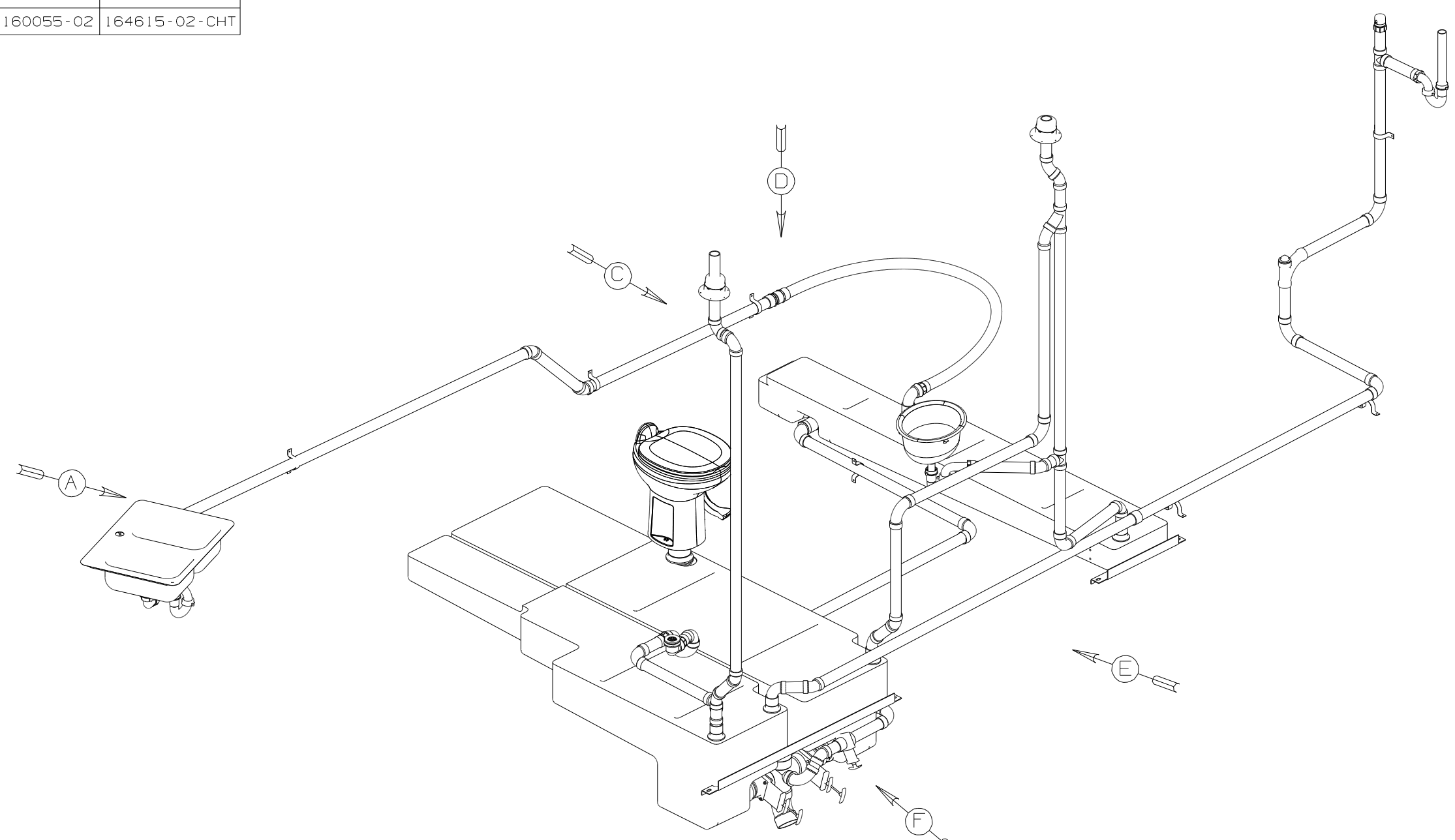


DWG NO	SINK-LAVATORY
160055-01	156661-01-CHT
160055-02	164615-02-CHT

RELEASE	REV DATE	DWG NO
A		160055
REV ZONE	REVISION RECORD	DATE
		DFTR-ORIG



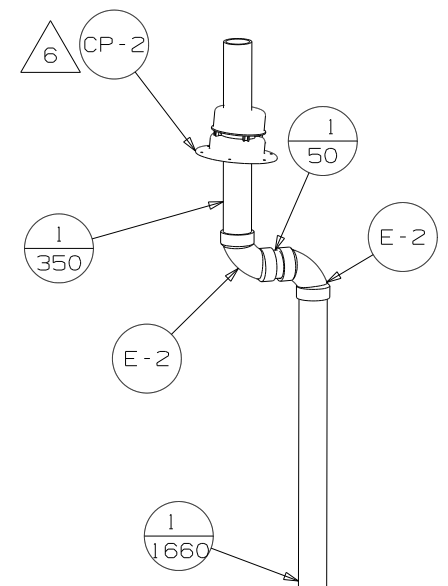
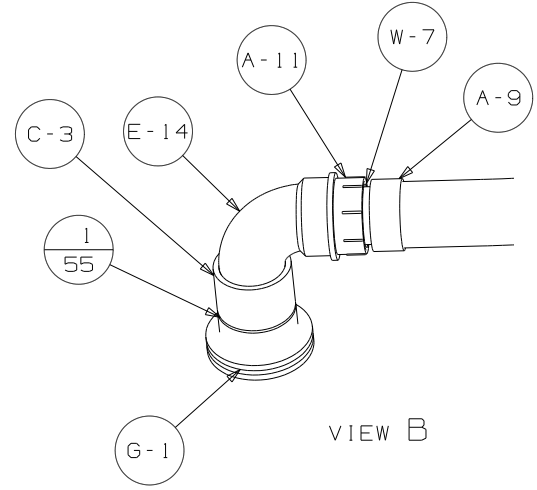
9. DO NOT ATTACH ANY OTHER SYSTEM TO PIPE-FLEX 126426-01.
8. SECURE DRAINAGE PIPES TO CABINET USING WIRE TIE 108046-02-000, AND SCREW G67-10-12B AT INTERVALS OF NOT MORE THAN 4 FEET APART.
7. SECURE VENT PIPE TO FLOOR WITH CLAMP 62401-02-000 (2), SCREW G67-10-12B (2), BRACKET 136878-01-CHT (2).
6. VENT PIPE MUST PROJECT 51 MIN AND 64 MAX ABOVE ROOF FOR PROPER FIT AND FUNCTION.
5. SEAL AROUND SHOWER WITH SILICONE.
4. ALL EXTERIOR OPENINGS AROUND PIPE TO BE SEALED WITH 131264-05-000.
3. ALL PIPE AND FITTINGS TO BE ASSEMBLED WITH SOLVENT 4020-01-000 (USA), 4020-02-000 (CAN)
2. SLOPE OF TRAP ARM MUST BE 6 PER 305 mm.
1. SLOPE OF HORIZONTAL PIPING TO BE MINIMUM OF 3 PER 305 mm.

- (1B1) CODES/STANDARDS-USA
- (265) CODES/STDS-CSA-/CMVSS
- (54E) WASHER/DRYER
- (21M) WASHER/DRYER PREP

<b>WINNEBAGO</b>		COPYRIGHT 2007 WINNEBAGO INDUSTRIES, INC.	
DFTR	ORIG. DATE	ALL DIMENSIONS ARE IN MILLIMETERS	
CHKR		FIRST USED	
P.E.		08 M39W	
M.E.		UNSPECIFIED TOLERANCES ARE:	
DSNR		MATERIAL:	
		WHOLE DIM (X)	: 3
		ONE-PLACE (X.X)	: 1.5
		TWO-PLACE (X.XX)	: 0.50
		ANGLE	: 1°
		THIRD ANGLE PROJECTION	
DO NOT SCALE DRAWING			
TITLE: DRAINAGE SYSTEM INSTL			
SHEET 1 OF 4	PART NO	160055	REV
REF:	1 10/26/2007		

(X-X)  
FOR  
DRAINAGE  
CALLOUTS  
SEE DWG NO  
116229-01-000

NOTES:

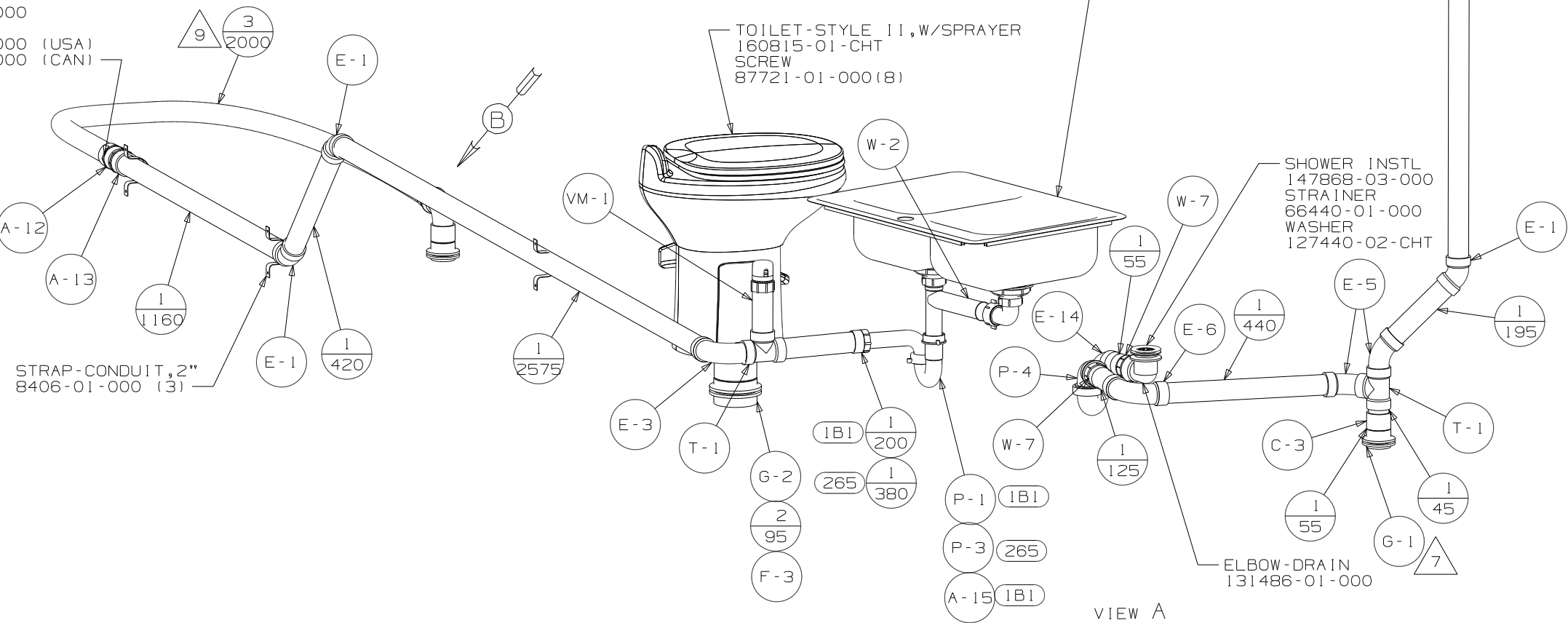


SINK-SST, DBL LG/SM BASIN  
 161614-01-CHT  
 STRAINER  
 92303-01-000 (2)  
 SCREW  
 G67-10-08B (8)  
 SEAL  
 (A/R)

TOILET-STYLE II, W/SPRAYER  
 160815-01-CHT  
 SCREW  
 87721-01-000 (8)

SHOWER INSTL  
 147868-03-000  
 STRAINER  
 66440-01-000  
 WASHER  
 127440-02-CHT

PRIMER  
 126427-02-000  
 CEMENT  
 126427-01-000 (USA)  
 126427-03-000 (CAN)

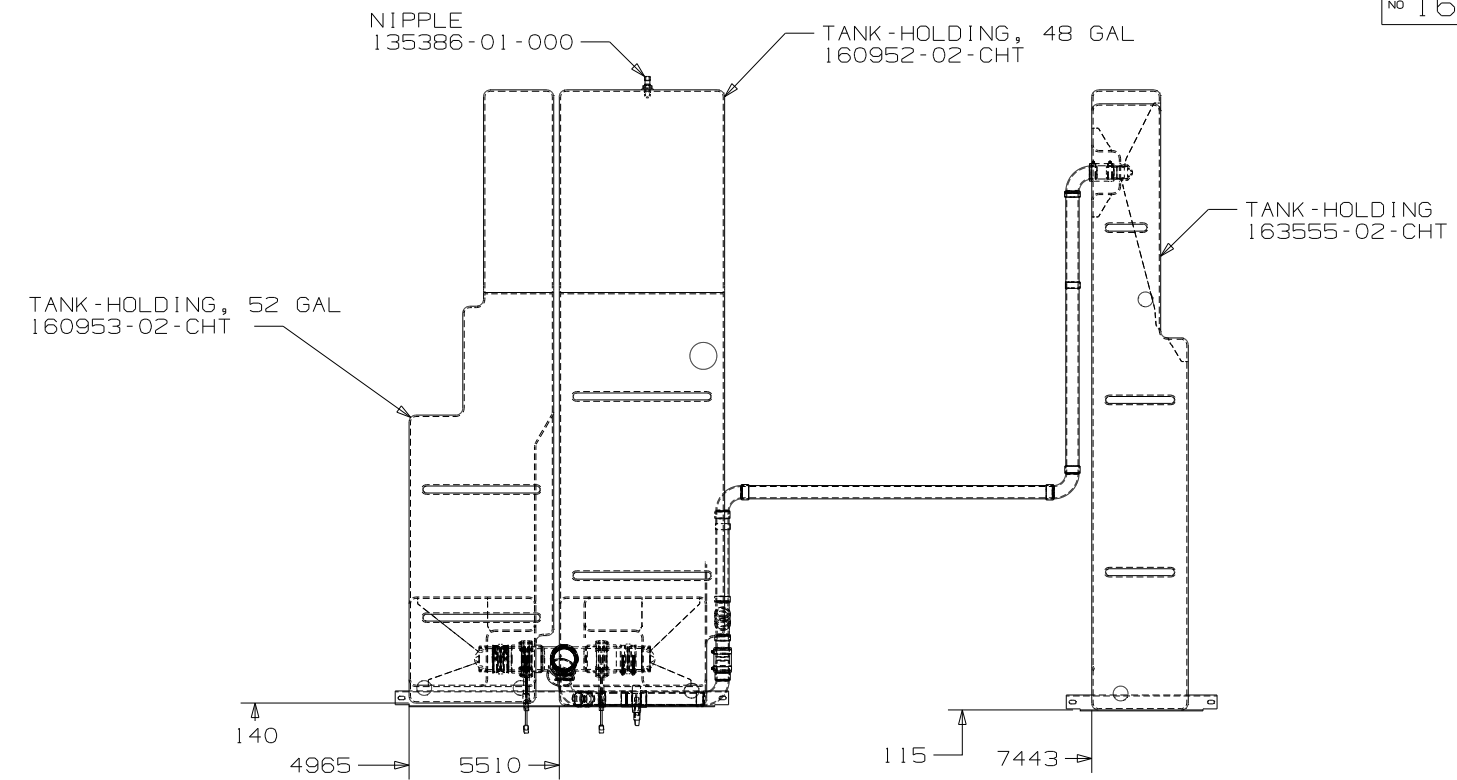
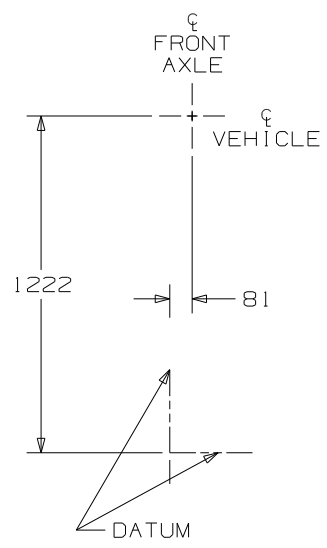


STRAP-CONDUIT, 2"  
 8406-01-000 (3)

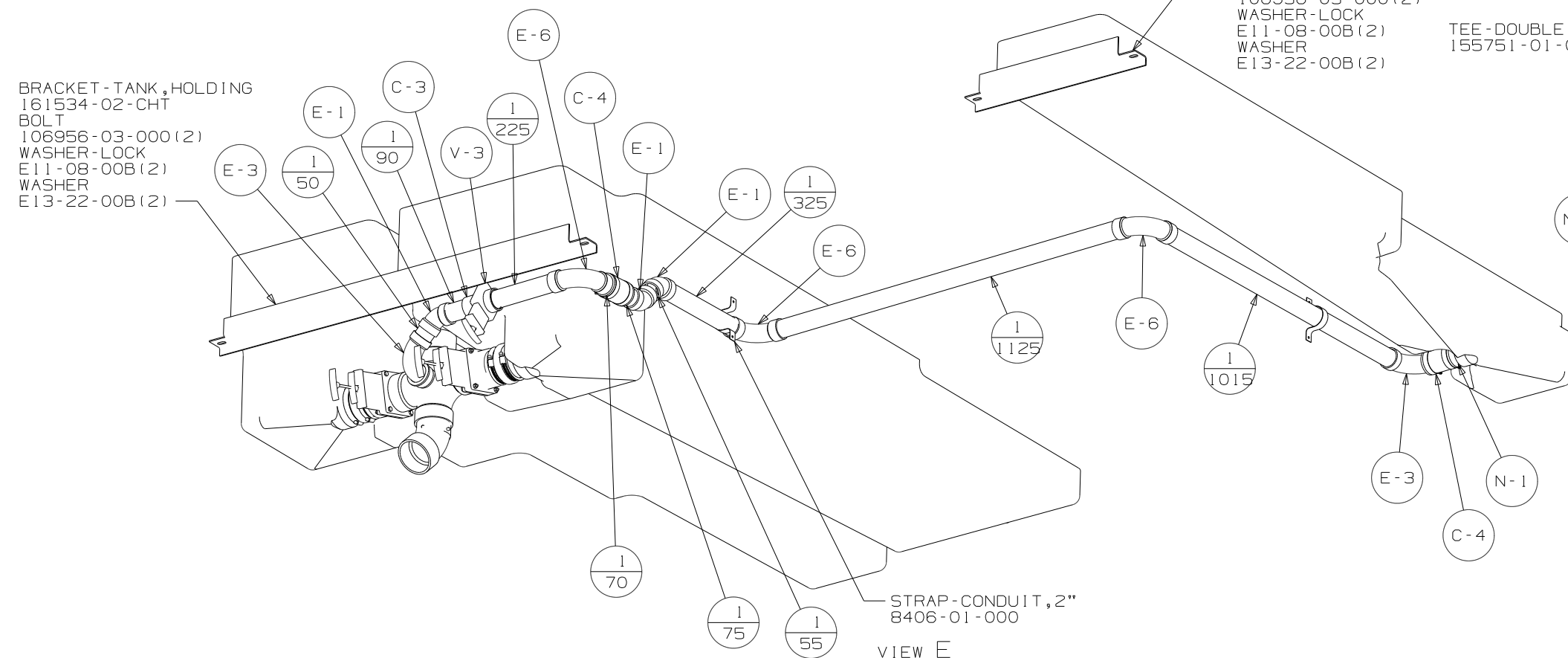
ELBOW-DRAIN  
 131486-01-000

FIRST USED	08 M39W	
TITLE:	DO NOT SCALE DRAWING	
	DRAINAGE SYSTEM INSTL	
SHEET 2	PART NO	160055
	REV	

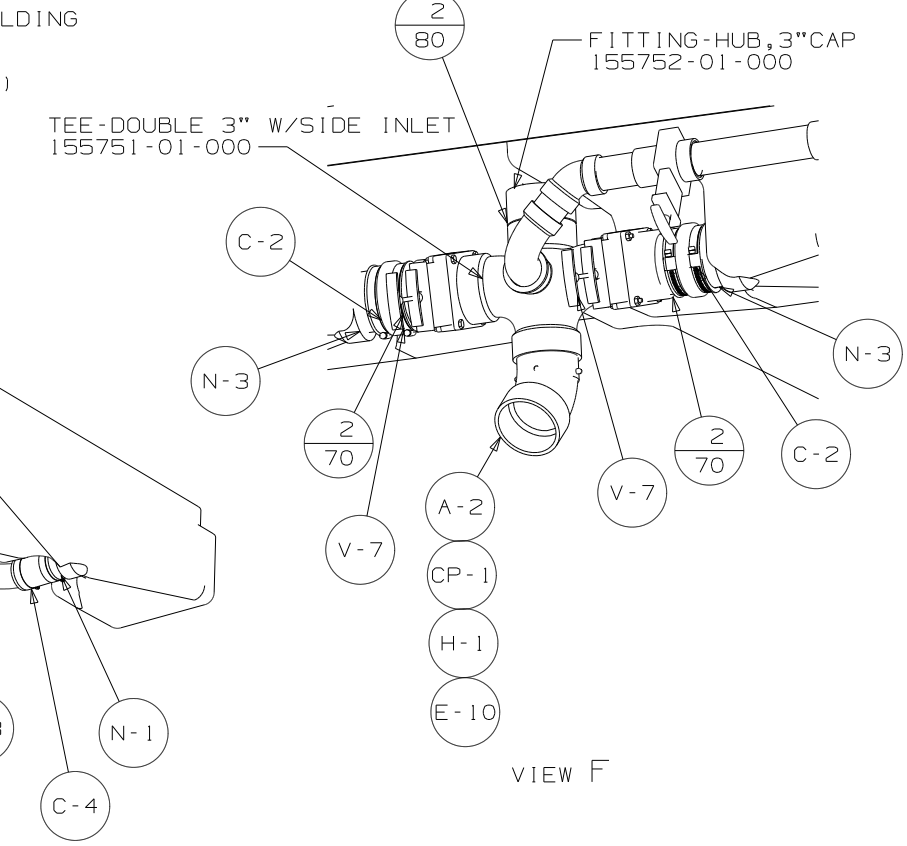




VIEW D



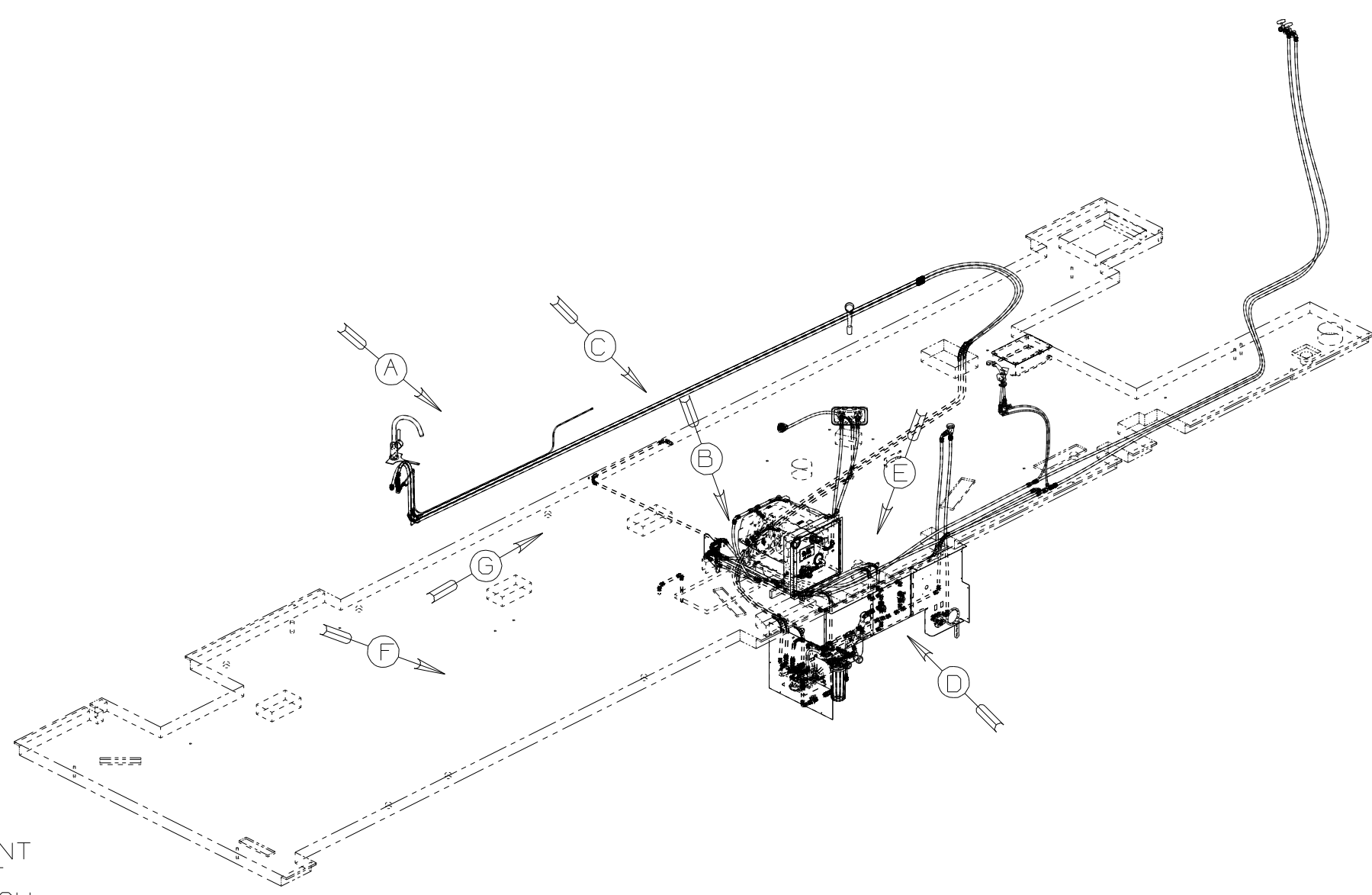
VIEW E



VIEW F

FIRST USED	08 M39W	
TITLE	DRAINAGE SYSTEM INSTL	
SHEET 4	PART NO	160055
REV		

8 7 6 5 4 3 2



FRONT OF COACH

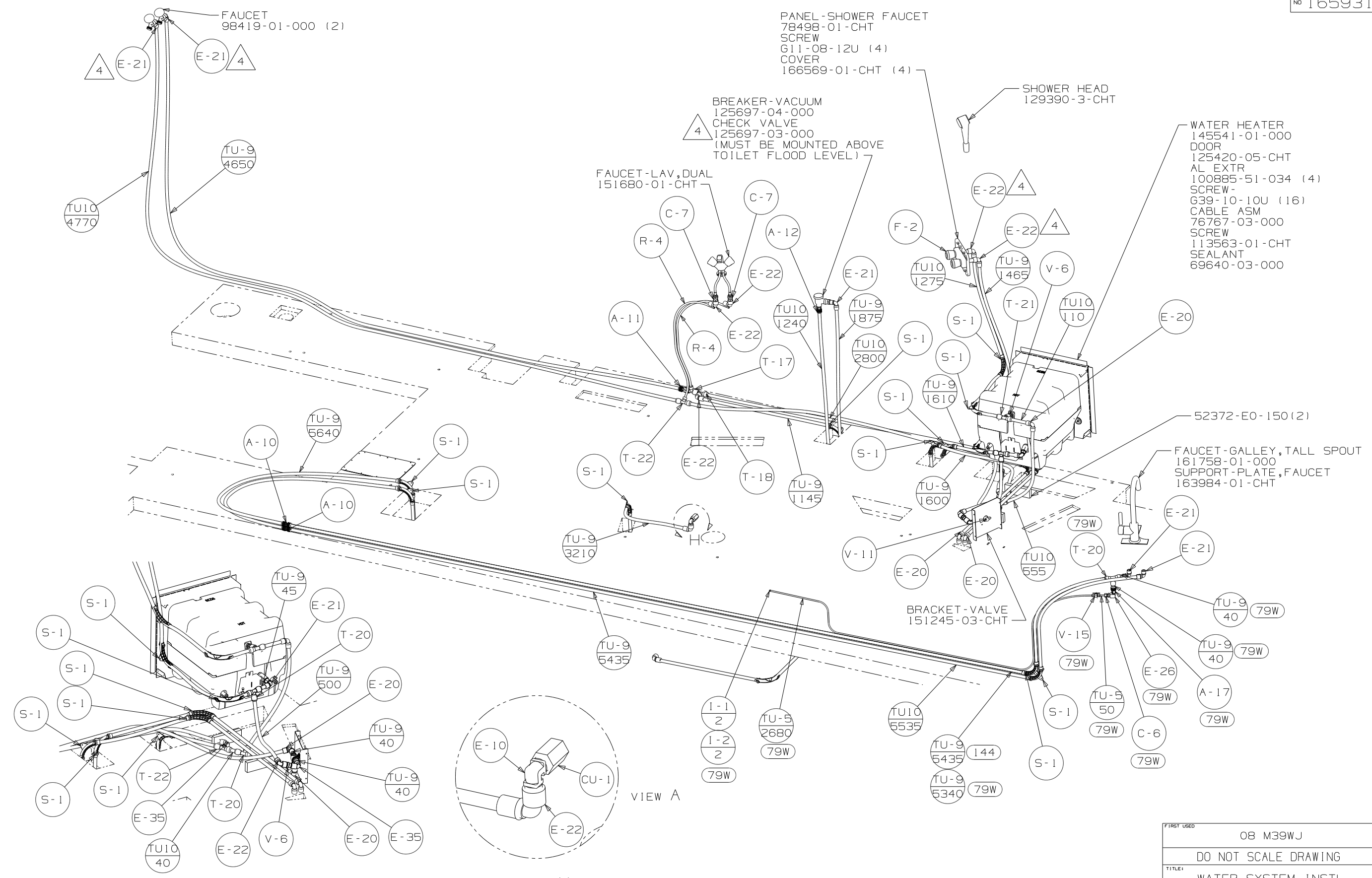
- (79W) REFRIGERATOR-4 DOOR
- (144) REFRIGERATOR-DOUBLE DOOR

- NOTES:
- △6 ADD TEFLON TAPE 10405-03-000.
  - △5 ADD TEFLON TAPE 10405-02-000.
  - △4 ADD TEFLON TAPE 10405-01-000.
  - 3. ALL TUBING TO BE SECURED AT 1200 INTERVALS MAXIMUM WITH CLAMP 10495-01-000 AND SCREW G67-10-12B OR EQUIVALENT.
  - 2. TUBING TO BE INSTALLED WITH SUFFICIENT SLOPE TO PROVIDE DRAINAGE TO NEAREST VALVE.
  - 1. PLASTIC FITTINGS TO BE SEALED WITH SEALANT 84456-01-000.

(X-X)  
FOR WATER CALLOUTS SEE DWG NO 116230-01-000

<b>WINNEBAGO</b>		COPYRIGHT 2007 WINNEBAGO INDUSTRIES, INC.	
DFTR	ORIG. DATE	ALL DIMENSIONS ARE IN MILLIMETERS	
CHKR		FIRST USED	
P.E.		08 M39WJ	
M.E.		UNSPECIFIED TOLERANCES ARE:	
DSNR		MATERIAL:	
		WHOLE DIM (X)	: 3
		ONE-PLACE (X.X)	: 1.5
		TWO-PLACE (X.XX)	: 0.50
		ANGLE	: 1°
THIRD ANGLE PROJECTION		DO NOT SCALE DRAWING	
TITLE: WATER SYSTEM INSTL			
SHEET 1 OF 4	PART NO	165931	REV

8 7 6 5 4 3 2



FAUCET  
98419-01-000 (2)

PANEL-SHOWER FAUCET  
78498-01-CHT  
SCREW  
G11-08-12U (4)  
COVER  
166569-01-CHT (4)

BREAKER-VACUUM  
125697-04-000  
CHECK VALVE  
125697-03-000  
(MUST BE MOUNTED ABOVE  
TOILET FLOOD LEVEL)

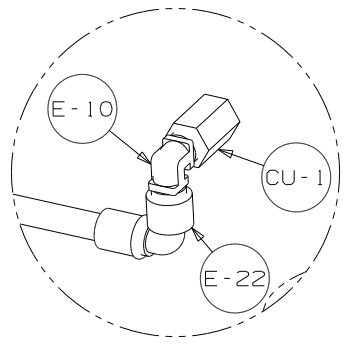
SHOWER HEAD  
129390-3-CHT

WATER HEATER  
145541-01-000  
DOOR  
125420-05-CHT  
AL EXTR  
100885-51-034 (4)  
SCREW  
G39-10-10U (16)  
CABLE ASM  
76767-03-000  
SCREW  
113563-01-CHT  
SEALANT  
69640-03-000

FAUCET-LAV, DUAL  
151680-01-CHT

FAUCET-GALLEY, TALL SPOUT  
161758-01-000  
SUPPORT-PLATE, FAUCET  
163984-01-CHT

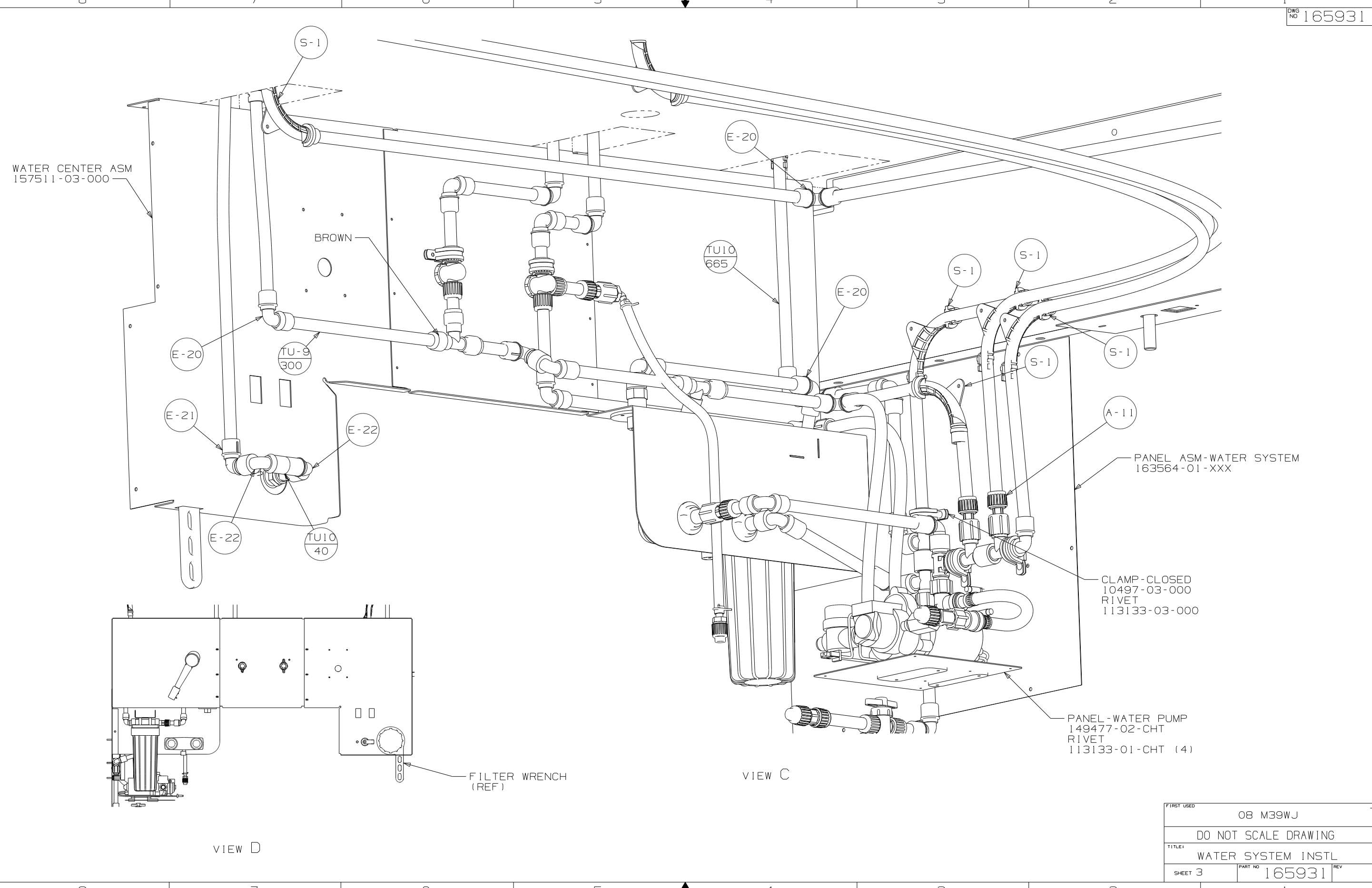
BRACKET-VALVE  
151245-03-CHT



VIEW A

VIEW B

FIRST USED	OB M39WJ		
TITLE:	DO NOT SCALE DRAWING		
TITLE:	WATER SYSTEM INSTL		
SHEET 2	PART NO	165931	REV



WATER CENTER ASM  
157511-03-000

BROWN

TU10  
665

E-20

TU-9  
300

E-21

E-22

E-22

TU10  
40

E-20

S-1

S-1

S-1

S-1

A-11

PANEL ASM-WATER SYSTEM  
163564-01-XXX

CLAMP-CLOSED  
10497-03-000  
RIVET  
113133-03-000

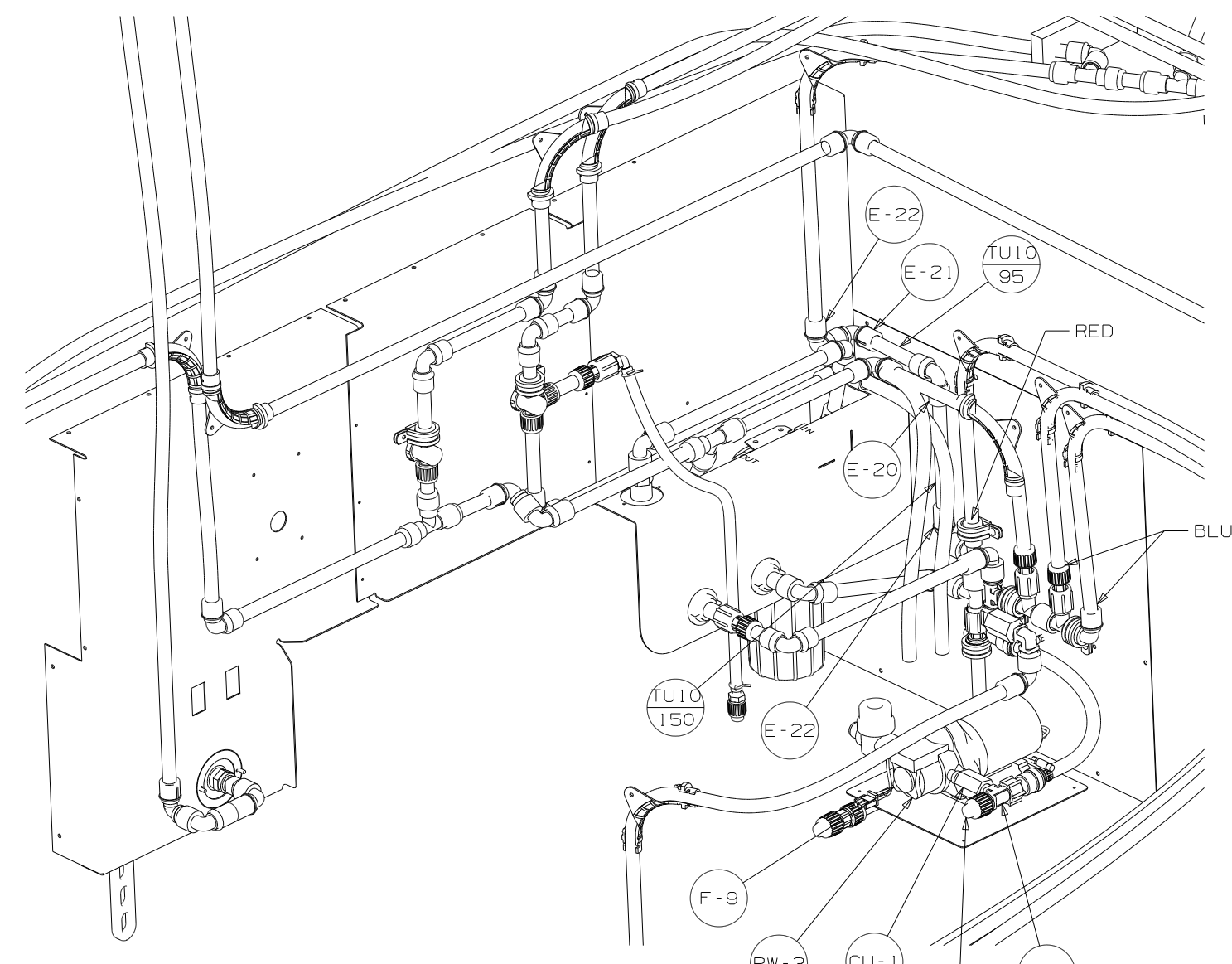
PANEL-WATER PUMP  
149477-02-CHT  
RIVET  
113133-01-CHT (4)

FILTER WRENCH  
(REF)

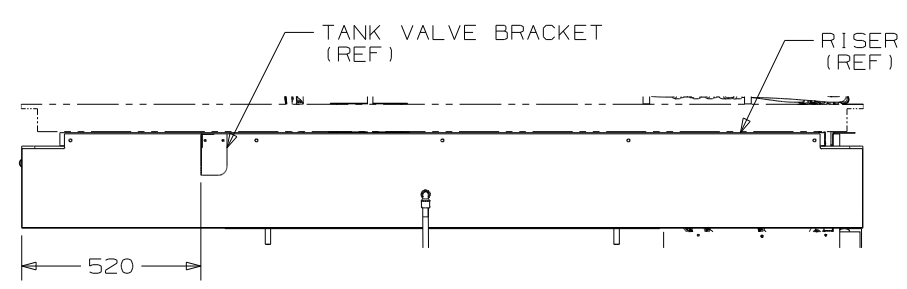
VIEW C

VIEW D

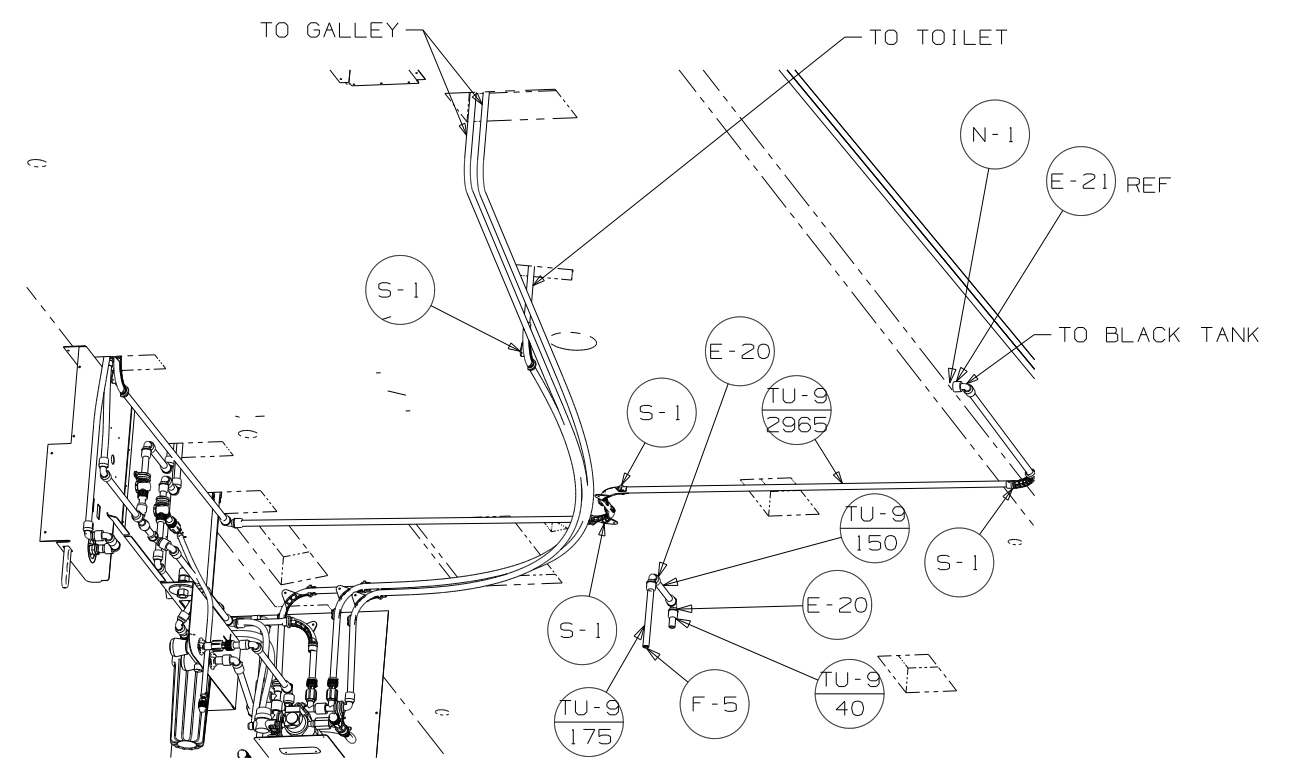
FIRST USED	OB M39WJ		
TITLE	DO NOT SCALE DRAWING		
TITLE	WATER SYSTEM INSTL		
SHEET 3	PART NO	165931	REV



VIEW E  
FLOOR NOT SHOWN



VIEW G  
FRONT SIDE OF RISER



VIEW F

FIRST USED	OB M39WJ	
TITLE	DO NOT SCALE DRAWING	
	WATER SYSTEM INSTL	
SHEET 4	PART NO 165931	REV