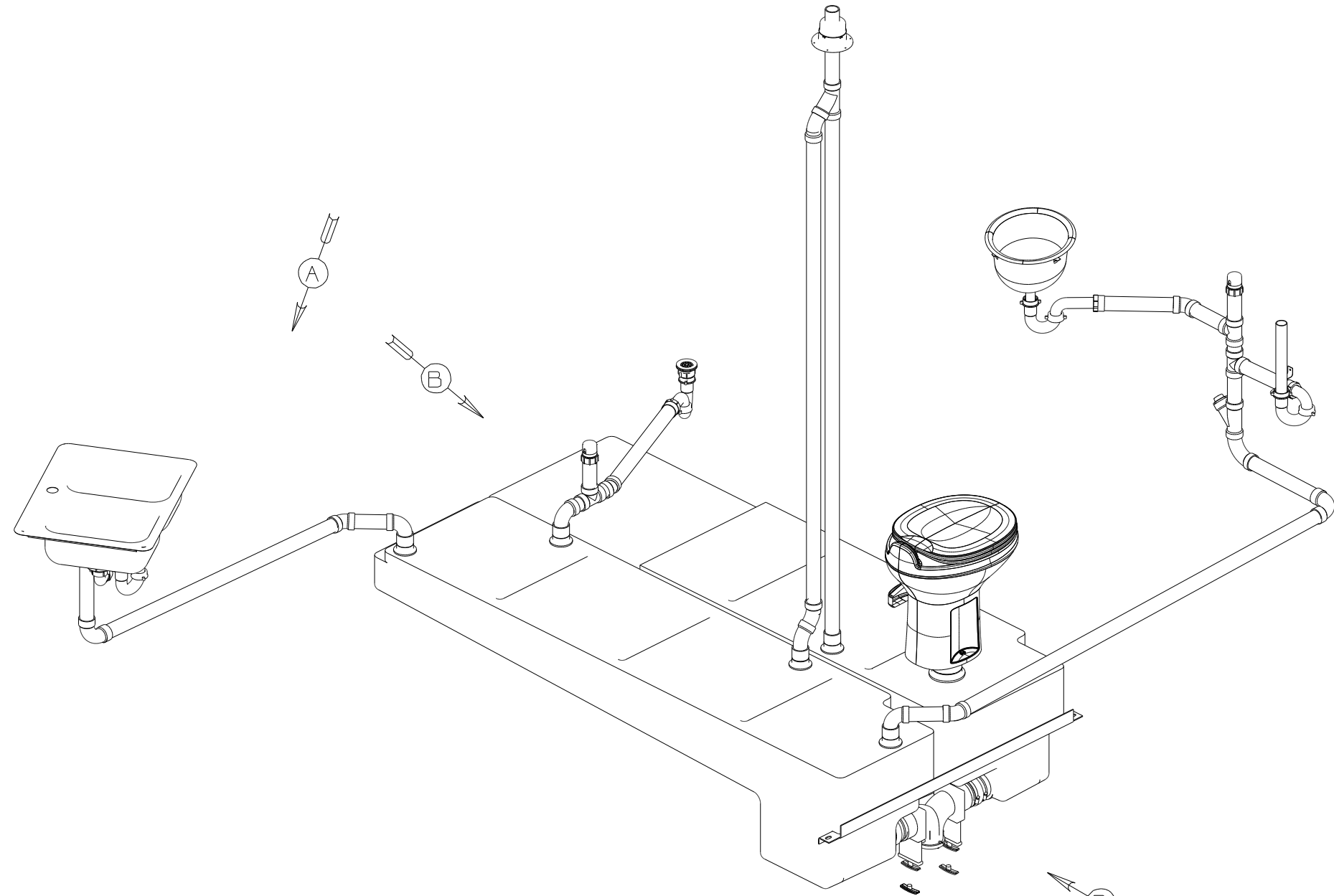


DWG NO	SINK-LAVATORY
161875-01	156661-01-CHT
161875-02	164615-02-CHT

RELEASE	REV DATE	DWG NO
A		161875
REV ZONE	REVISION RECORD	DATE



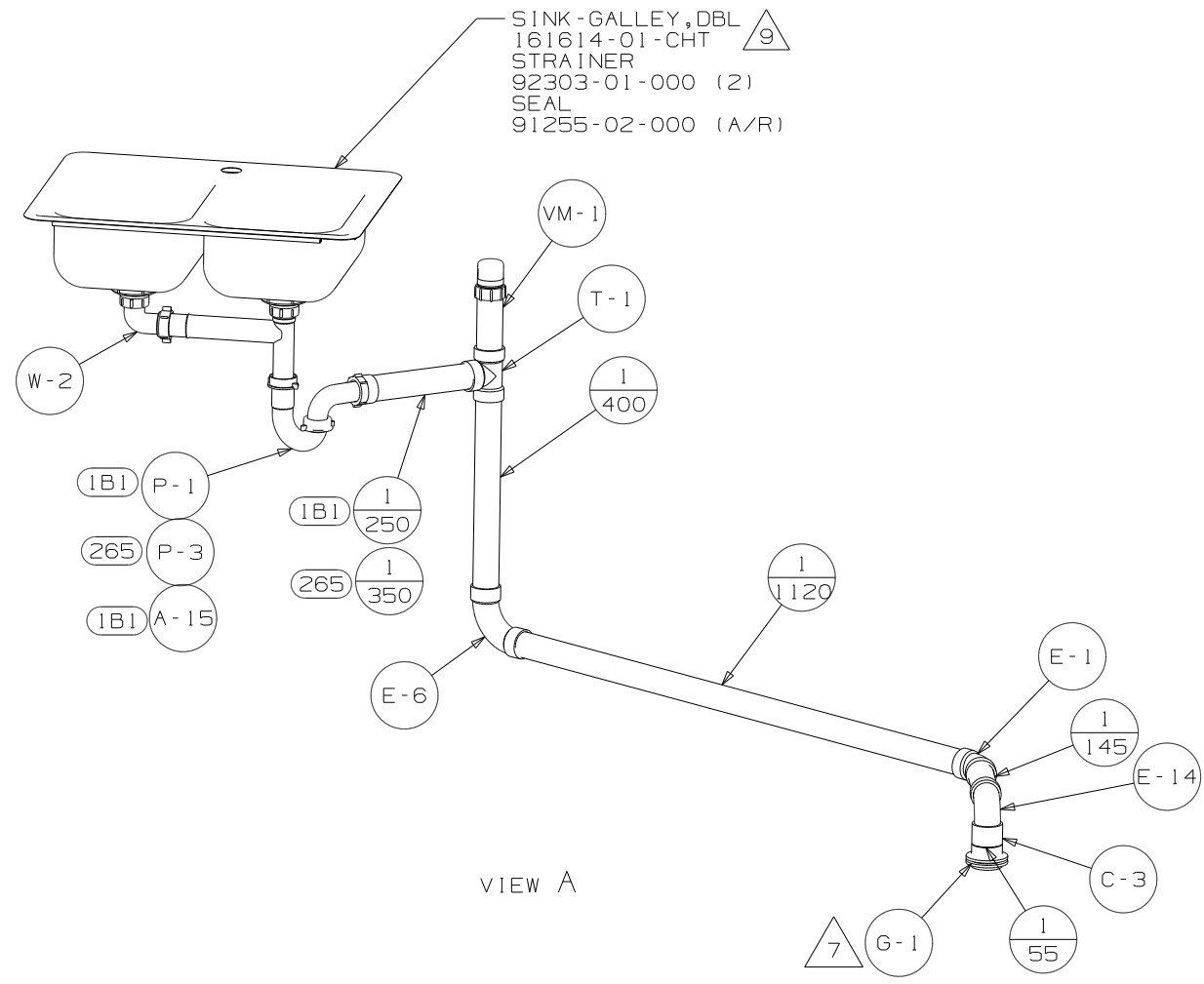
- 9. SINK ATTACHMENT HARDWARE IS INCLUDED WITH SINK.
- 8. SECURE DRAINAGE PIPES TO CABINET USING WIRE TIE 108046-02-000, AND SCREW G67-10-12B AT INTERVALS OF NOT MORE THAN 4 FEET APART.
- 7. SECURE VENT PIPE TO FLOOR WITH CLAMP 62401-02-000 (2), SCREW G67-10-12B (2), BRACKET 136878-01-CHT (2).
- 6. VENT PIPE MUST PROJECT 51 MIN AND 64 MAX ABOVE ROOF FOR PROPER FIT AND FUNCTION.
- 5. SEAL AROUND SHOWER WITH SILICONE.
- 4. ALL EXTERIOR OPENINGS AROUND PIPE TO BE SEALED WITH 131264-03-000.
- 3. ALL PIPE AND FITTINGS TO BE ASSEMBLED WITH SOLVENT 4020-01-000 (USA), 4020-02-000 (CAN)
- 2. SLOPE OF TRAP ARM MUST BE 6 PER 305 mm.
- 1. SLOPE OF HORIZONTAL PIPING TO BE MINIMUM OF 3 PER 305 mm.

- (54E) WASHER/DRYER
- (21M) WASHER/DRYER PREP

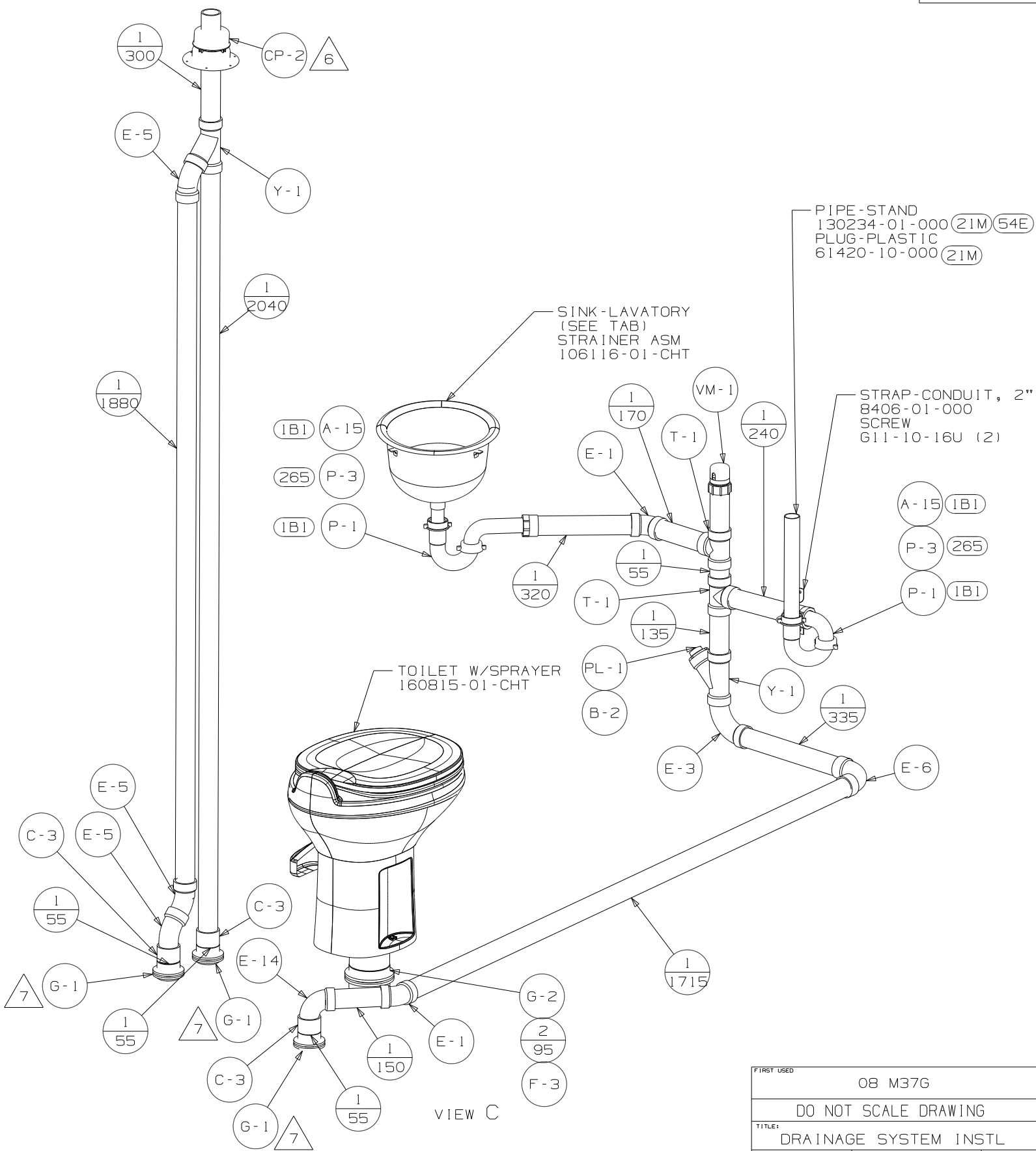
WINNEBAGO		COPYRIGHT 2007 WINNEBAGO INDUSTRIES, INC.	
DFT	ORIG. DATE	ALL DIMENSIONS ARE IN MILLIMETERS	
CHKR		FIRST USED	
P.E.		08 M37G	
M.E.		UNSPECIFIED TOLERANCES ARE:	
DSNR		MATERIAL:	
		WHOLE DIM (X)	: 3
		ONE-PLACE (X.X)	: 1.5
		TWO-PLACE (X.XX)	: 0.50
		ANGLE	: 1°
		THIRD ANGLE PROJECTION	
DO NOT SCALE DRAWING			
TITLE: DRAINAGE SYSTEM INSTL			
SHEET 1 OF 3	PART NO	161875	REV

(X-X)
FOR
DRAINAGE
CALLOUTS
SEE DWG NO
116229-01-000

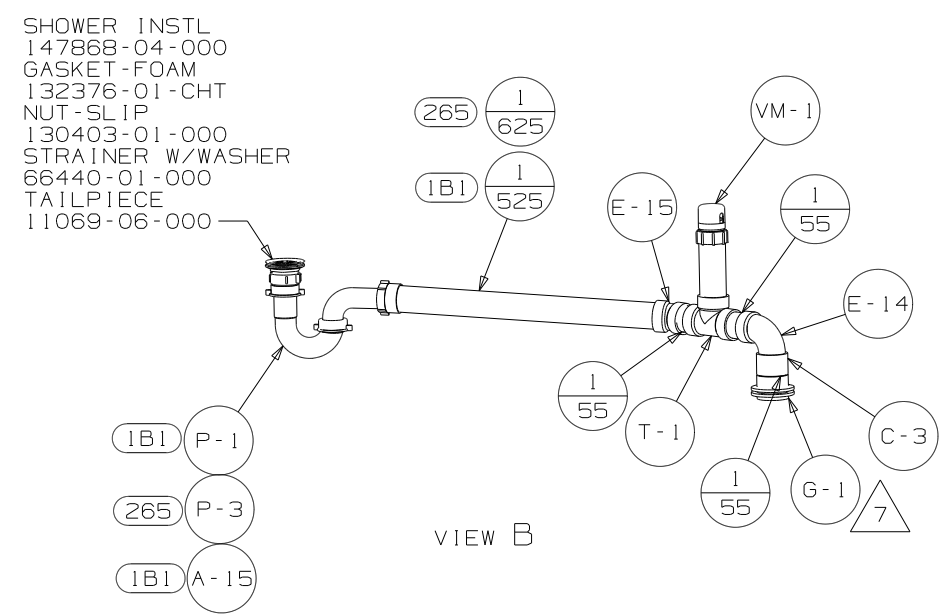
NOTES:



VIEW A

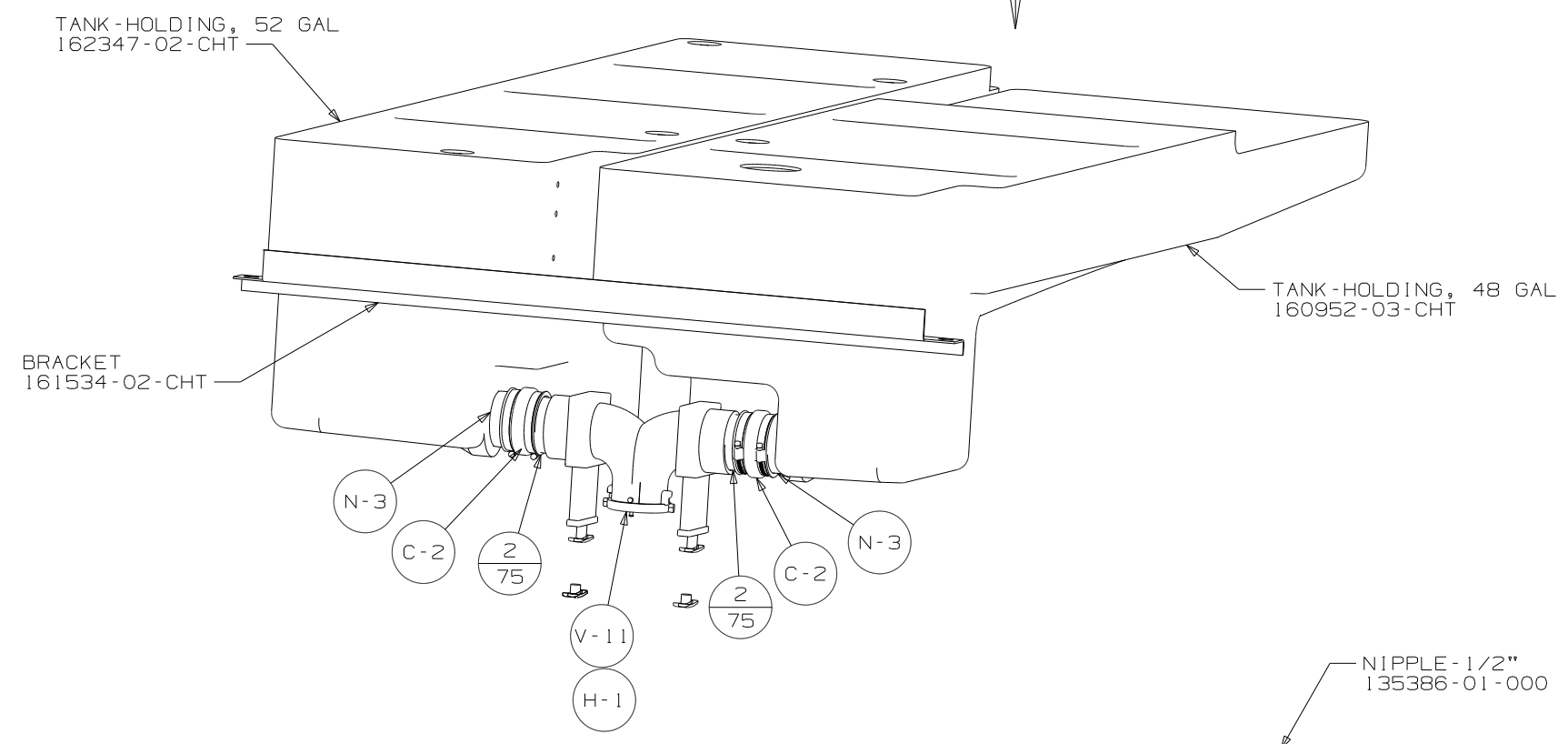


VIEW C

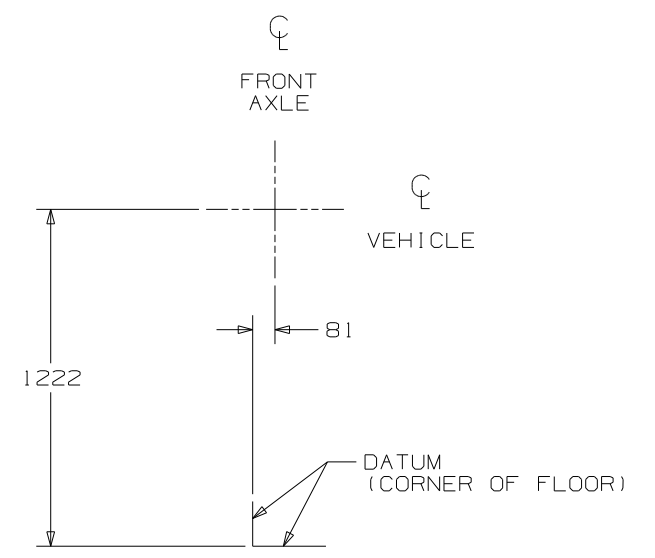


VIEW B

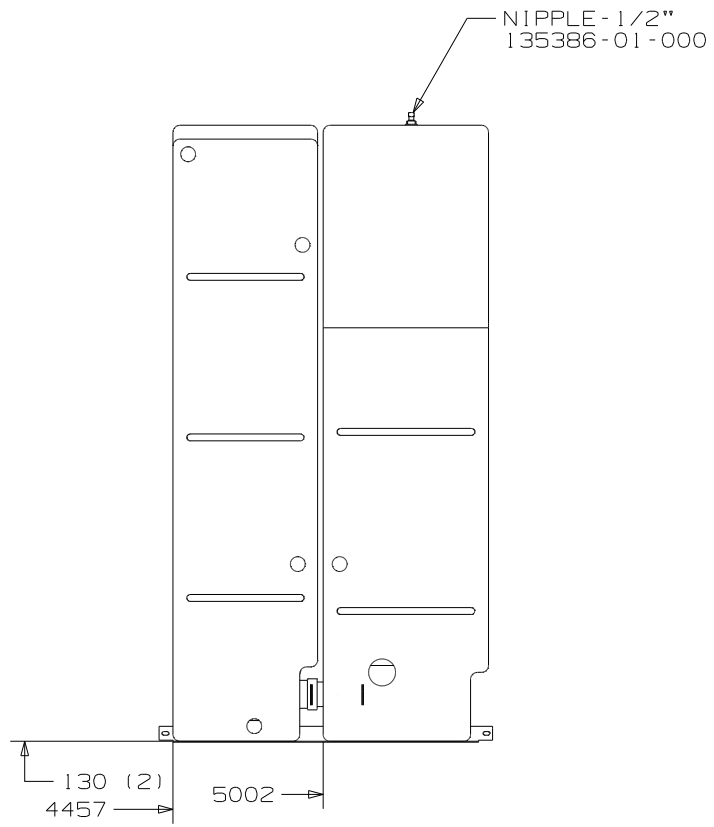
FIRST USED	08 M37G	
TITLE:	DO NOT SCALE DRAWING	
	DRAINAGE SYSTEM INSTL	
SHEET 2	PART NO	161875
	REV	



VIEW D



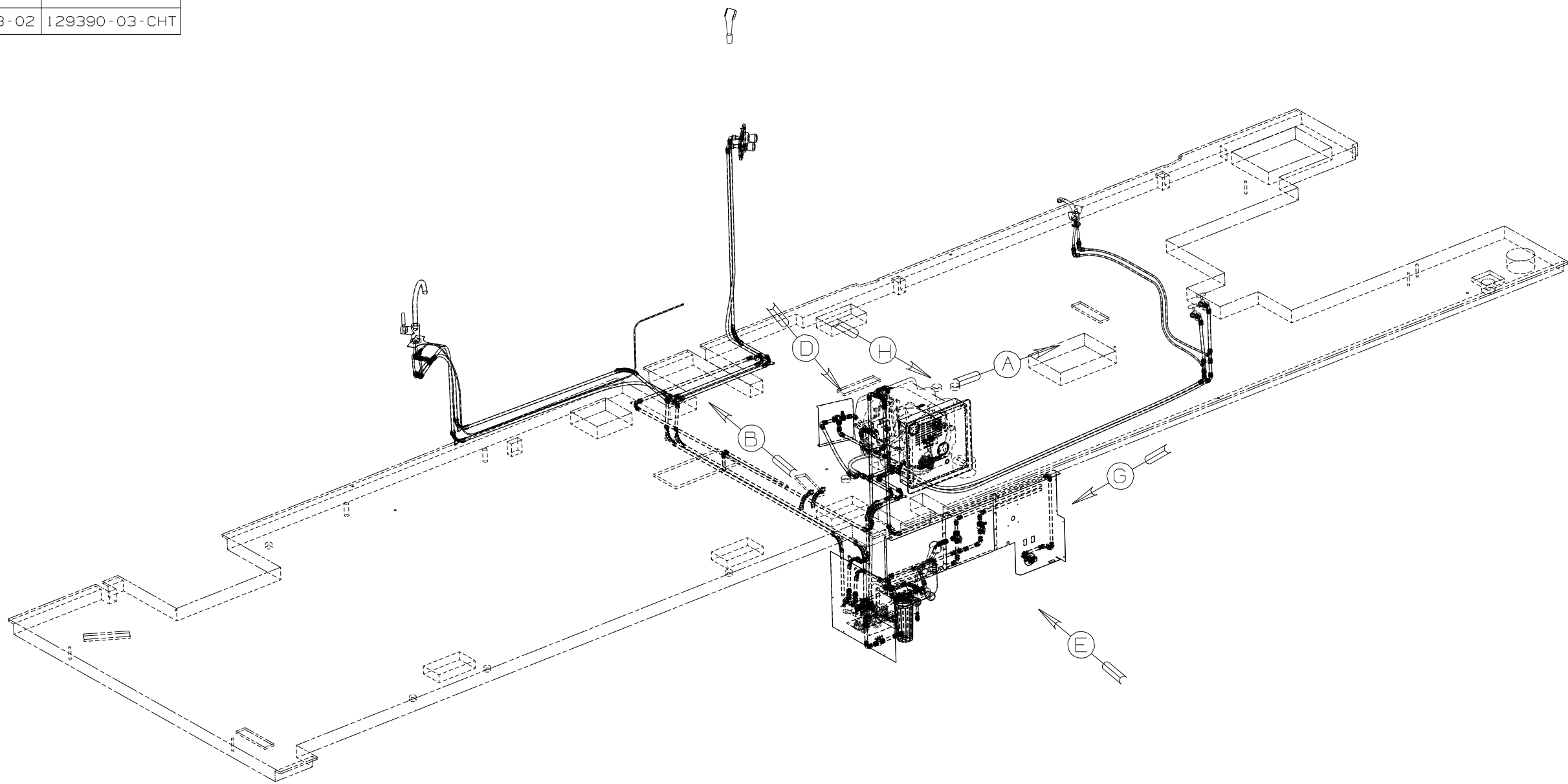
VIEW E



FIRST USED	08 M37G		
TITLE	DO NOT SCALE DRAWING		
	DRAINAGE SYSTEM INSTL		
SHEET 3	PART NO	161875	REV

DWG NO	SHOWER HEAD
162263-01	131383-01-CHT
162263-02	129390-03-CHT

RELEASE	REV DATE	DWG NO
A		162263
REV ZONE	REVISION RECORD	DATE
		DFTR-0016



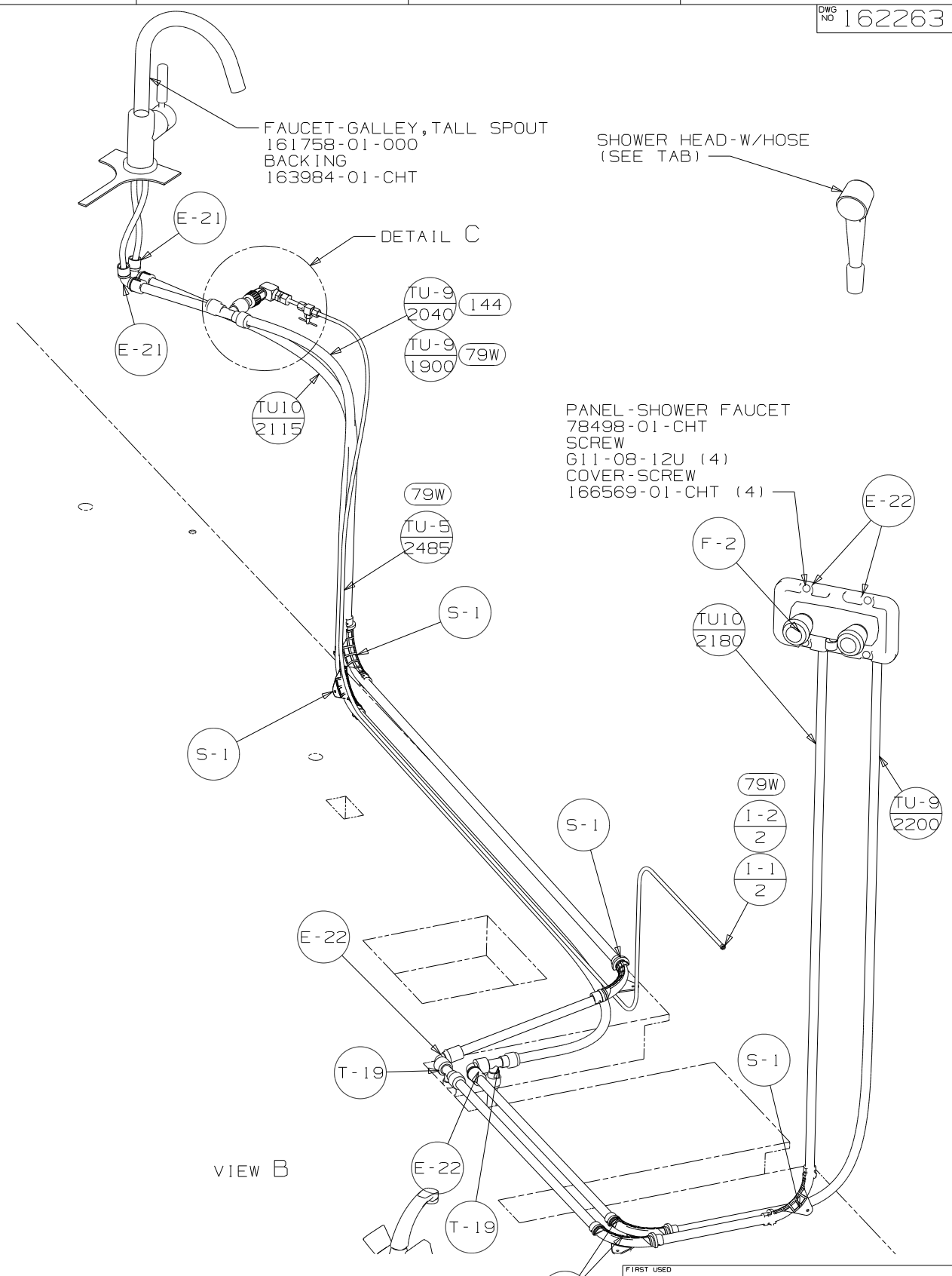
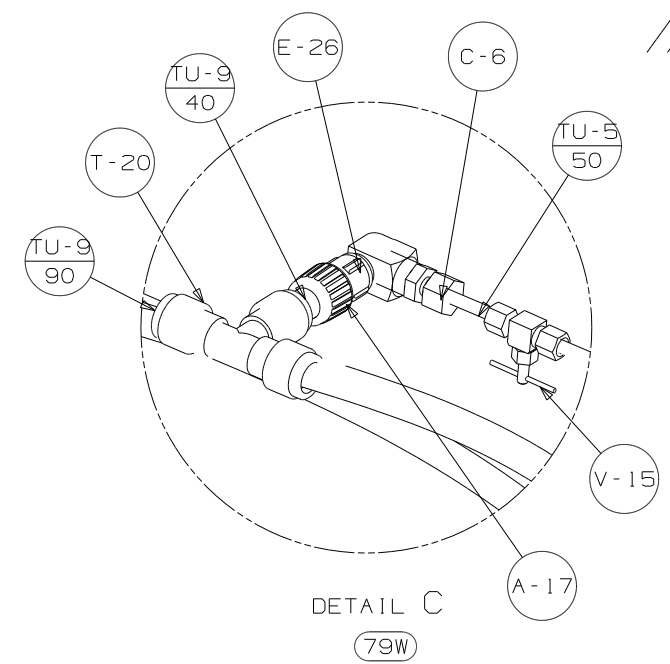
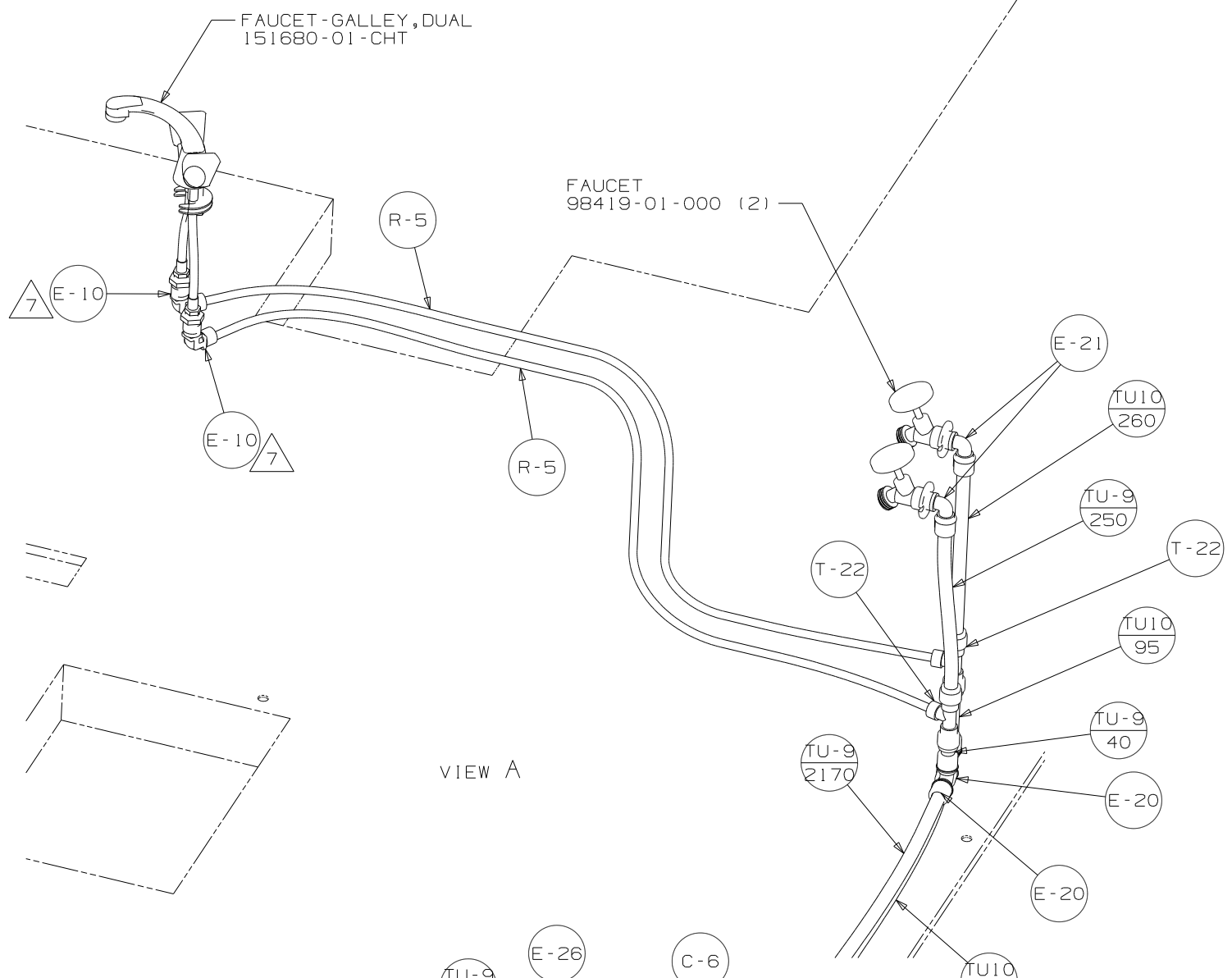
- (144) REFRIGERATOR-LG DBL DOOR
- (79W) REFRIGERATOR-4 DOOR W/ICEMAKER

- 7 ADD PIPE WRAP (LADDER SCRAP 110157-02-000) INSULATION.
 - 6 ADD TEFLON TAPE 10405-03-000.
 - 5 ADD TEFLON TAPE 10405-02-000.
 - 4 ADD TEFLON TAPE 10405-01-000.
3. ALL TUBING TO BE SECURED AT 1200 INTERVALS MAXIMUM WITH CLAMP 10495-01-000 AND SCREW G67-10-12B OR EQUIVALENT.
 2. TUBING TO BE INSTALLED WITH SUFFICIENT SLOPE TO PROVIDE DRAINAGE TO NEAREST VALVE.
 1. PLASTIC FITTINGS TO BE SEALED WITH SEALANT 84456-01-000.

NOTES:

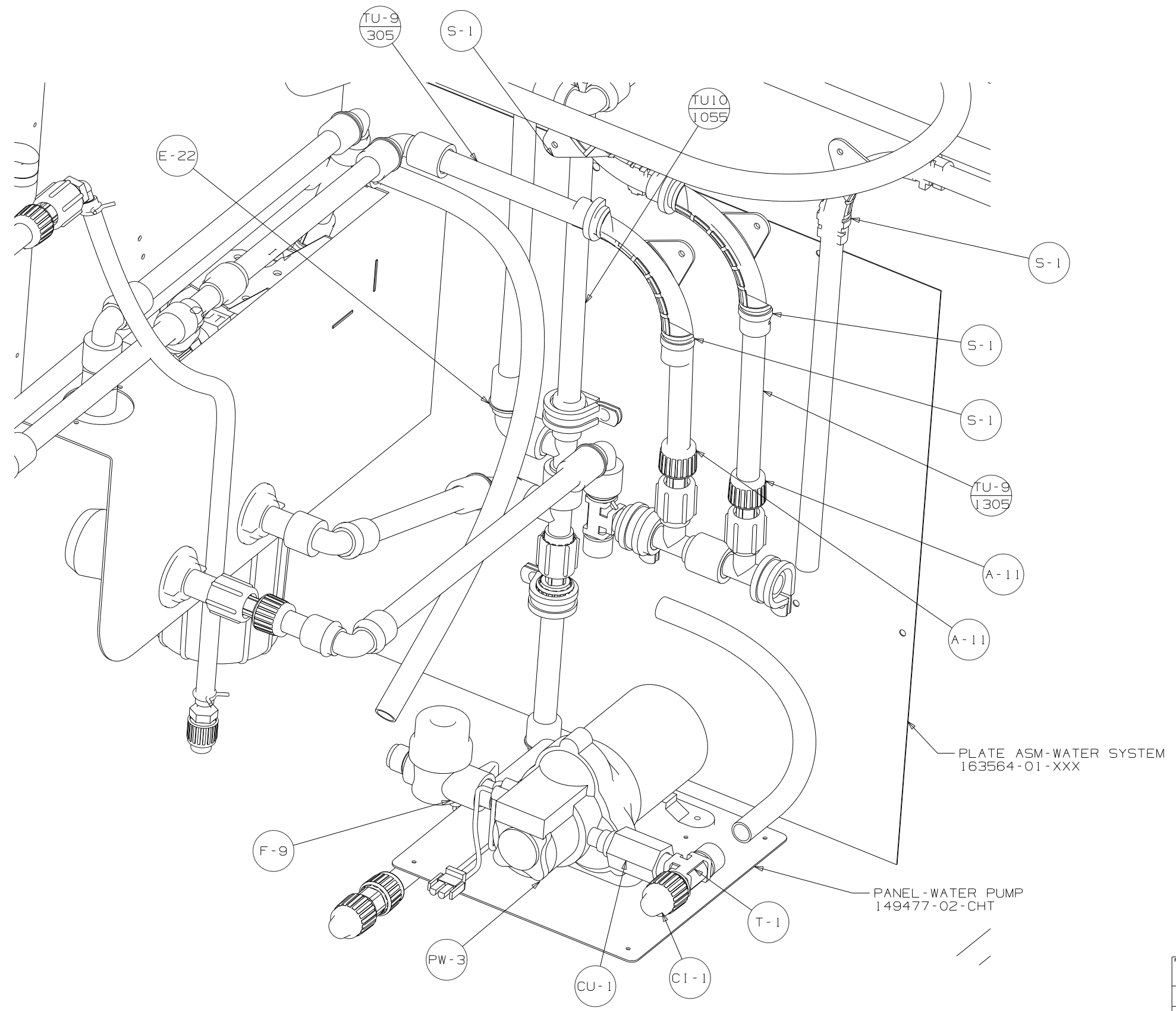
(X-X)
FOR
WATER
CALLOUTS
SEE DWG NO
116230-01-000

WINNEBAGO		COPYRIGHT 2008 WINNEBAGO INDUSTRIES, INC.	
DFTR	ORIG. DATE	ALL DIMENSIONS ARE IN MILLIMETERS	
CHKR		FIRST USED	
P.E.		08 M37G	
M.E.		UNSPECIFIED TOLERANCES ARE:	
DSNR		MATERIAL:	
		WHOLE DIM (X)	: 3
		ONE-PLACE (X.X)	: 1.5
		TWO-PLACE (X.XX)	: 0.50
		ANGLE	: 1°
THIRD ANGLE PROJECTION		DO NOT SCALE DRAWING	
TITLE: WATER SYSTEM INSTL			
SHEET 1 OF 4	PART NO	162263	REV
REF:	1 1/17/2008		



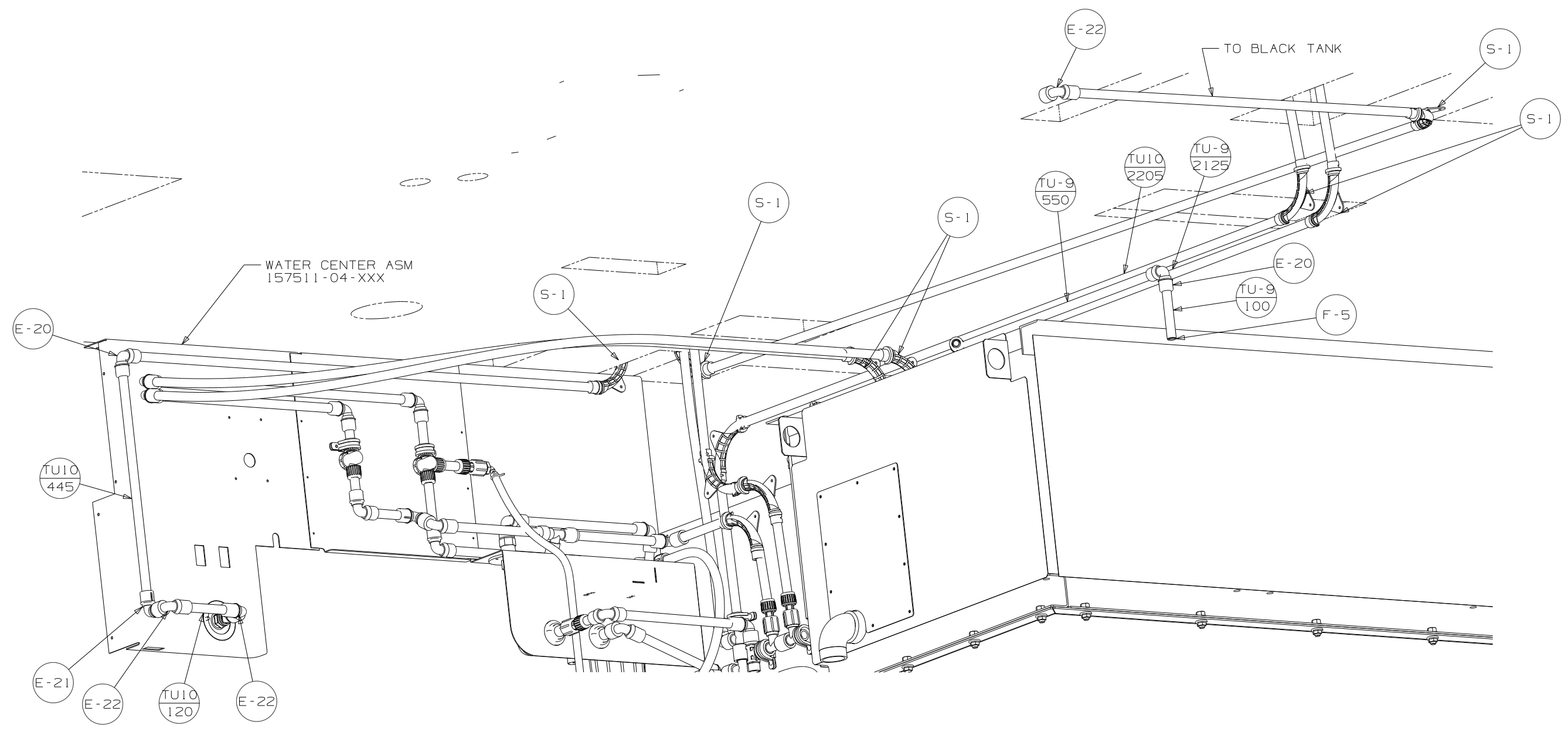
PANEL - SHOWER FAUCET
78498-01-CHT
SCREW
G11-08-12U (4)
COVER-SCREW
166569-01-CHT (4)

FIRST USED	08 M37G	
TITLE:	DO NOT SCALE DRAWING	
SHEET 2	PART NO	162263
	REV	1 1/17/2008



VIEW G

FIRST USED	08 M37G
TITLE	DO NOT SCALE DRAWING
SHEET 4	PART NO 162263
	REV 1 1/17/2008



VIEW H

FIRST USED	08 M37G		
TITLE	DO NOT SCALE DRAWING		
TITLE	WATER SYSTEM INSTL		
SHEET 5	PART NO	162263	REV