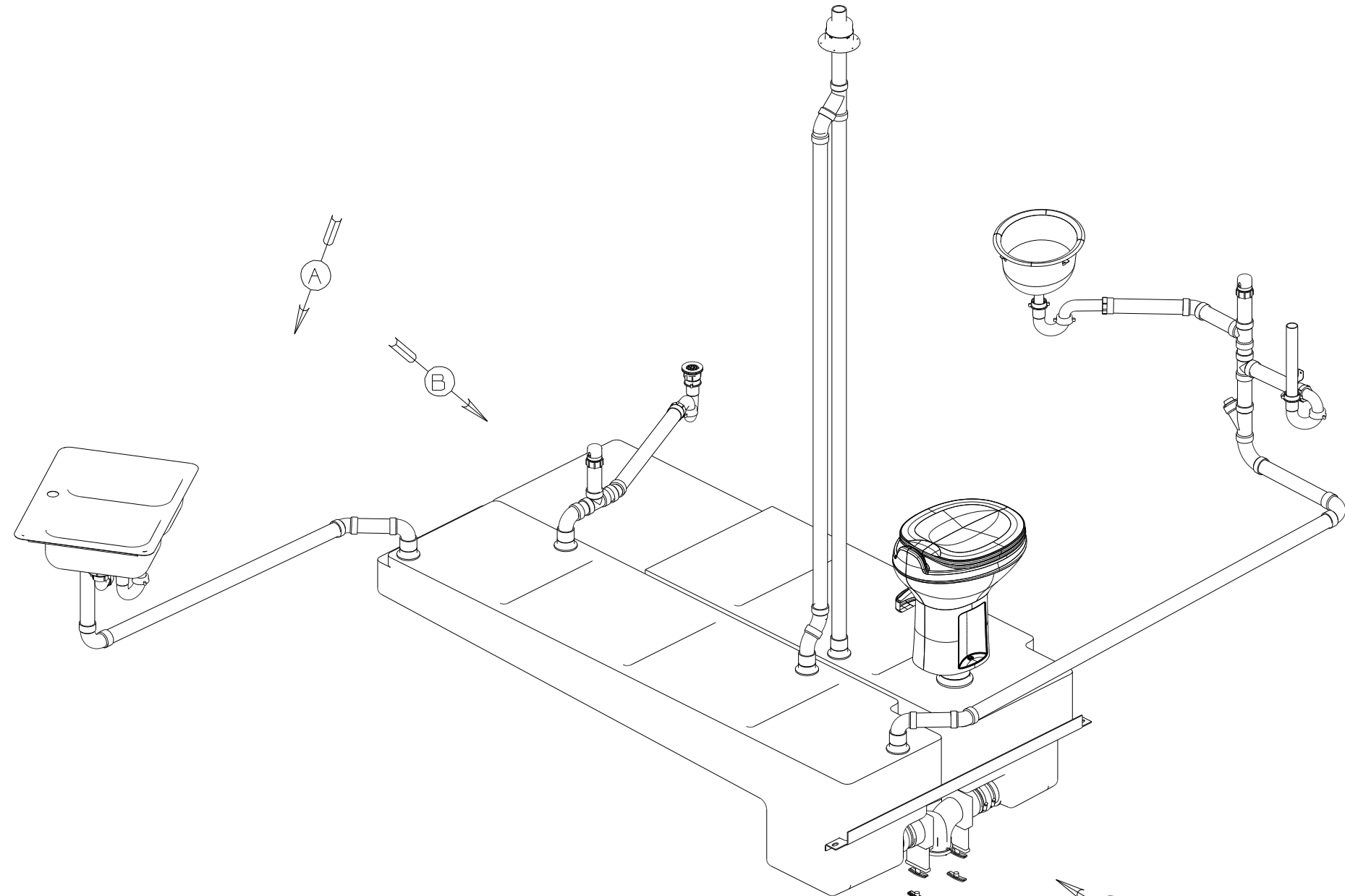


DWG NO	SINK-LAVATORY
161875-01	156661-01-CHT
161875-02	164615-02-CHT

RELEASE	REV DATE	DWG NO
A		161875
REV ZONE	REVISION RECORD	DATE
		DFTR-016



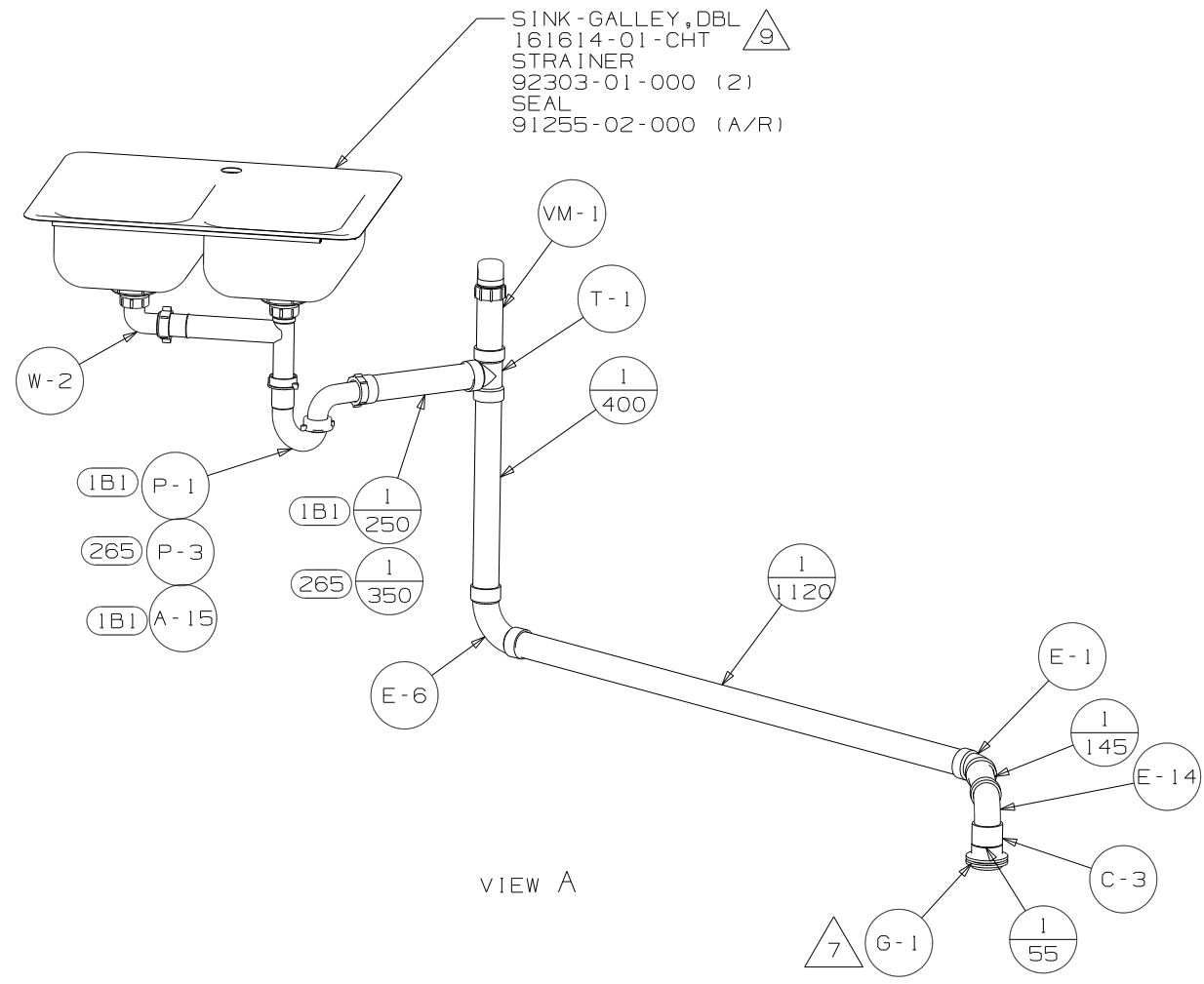
- 9. SINK ATTACHMENT HARDWARE IS INCLUDED WITH SINK.
- 8. SECURE DRAINAGE PIPES TO CABINET USING WIRE TIE 108046-02-000, AND SCREW G67-10-12B AT INTERVALS OF NOT MORE THAN 4 FEET APART.
- 7. SECURE VENT PIPE TO FLOOR WITH CLAMP 62401-02-000 (2), SCREW G67-10-12B (2), BRACKET 136878-01-CHT (2).
- 6. VENT PIPE MUST PROJECT 51 MIN AND 64 MAX ABOVE ROOF FOR PROPER FIT AND FUNCTION.
- 5. SEAL AROUND SHOWER WITH SILICONE.
- 4. ALL EXTERIOR OPENINGS AROUND PIPE TO BE SEALED WITH 131264-03-000.
- 3. ALL PIPE AND FITTINGS TO BE ASSEMBLED WITH SOLVENT 4020-01-000 (USA), 4020-02-000 (CAN)
- 2. SLOPE OF TRAP ARM MUST BE 6 PER 305 mm.
- 1. SLOPE OF HORIZONTAL PIPING TO BE MINIMUM OF 3 PER 305 mm.

- (54E) WASHER/DRYER
- (21M) WASHER/DRYER PREP

<b>WINNEBAGO</b>		COPYRIGHT 2007 WINNEBAGO INDUSTRIES, INC.	
DFTR	ORIG. DATE	ALL DIMENSIONS ARE IN MILLIMETERS	
CHKR		FIRST USED	
P.E.		08 M37G	
M.E.		UNSPECIFIED TOLERANCES ARE:	
DSNR		MATERIAL:	
		WHOLE DIM (X)	: 3
		ONE-PLACE (X.X)	: 1.5
		TWO-PLACE (X.XX)	: 0.50
		ANGLE	: 1°
		THIRD ANGLE PROJECTION	
DO NOT SCALE DRAWING			
TITLE: DRAINAGE SYSTEM INSTL			
SHEET 1 OF 3	PART NO	161875	REV

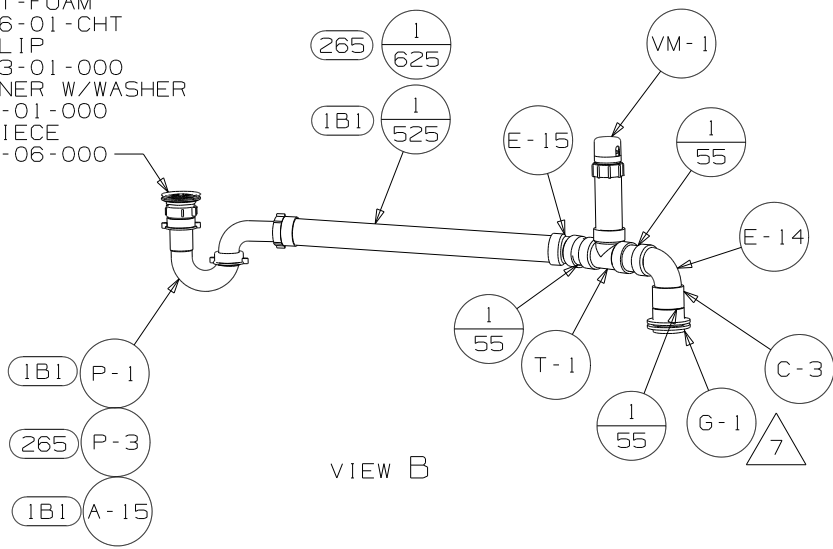
X-X  
FOR  
DRAINAGE  
CALLOUTS  
SEE DWG NO  
116229-01-000

NOTES:

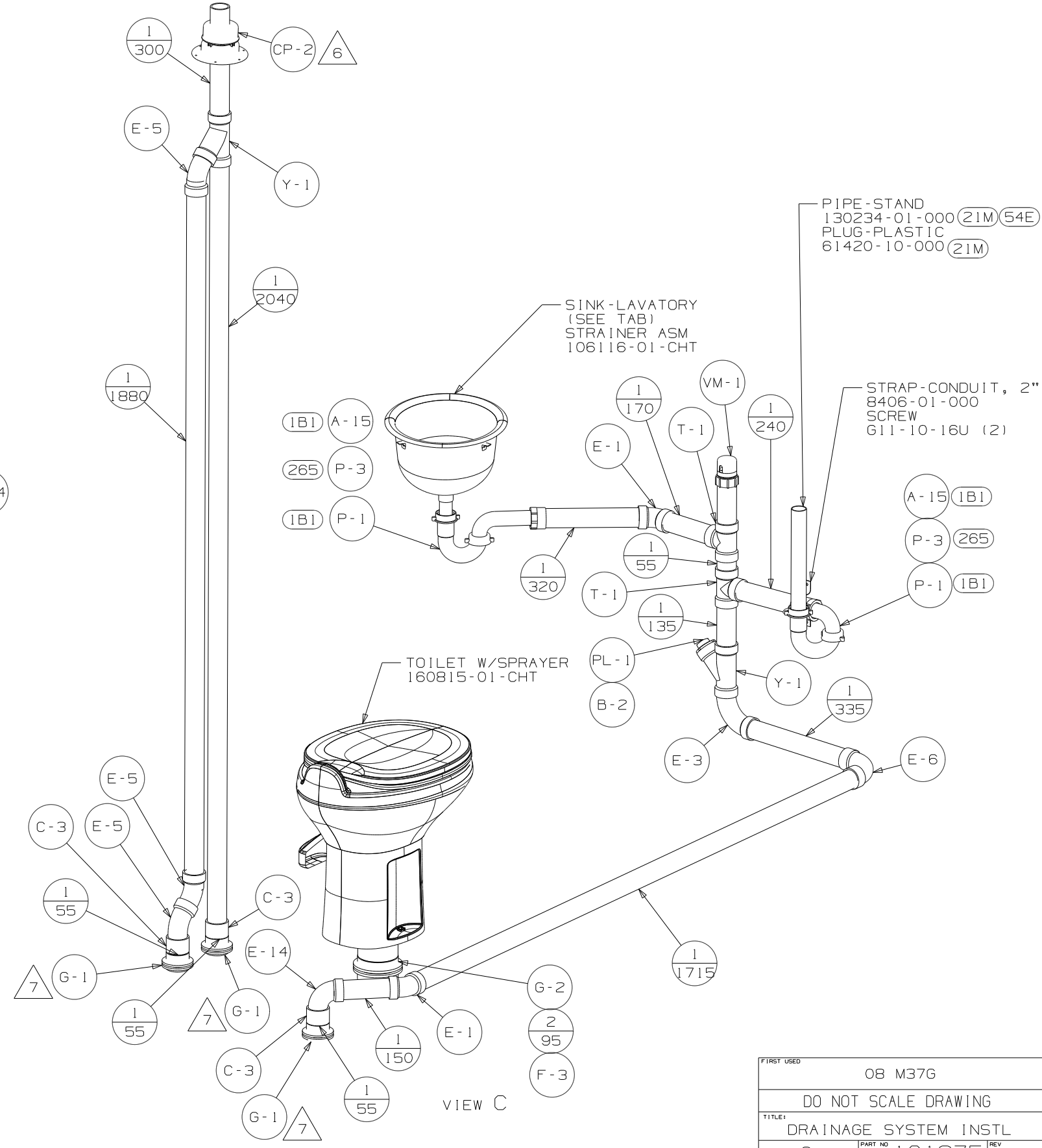


VIEW A

SHOWER INSTL  
 147868-04-000  
 GASKET-FOAM  
 132376-01-CHT  
 NUT-SLIP  
 130403-01-000  
 STRAINER W/WASHER  
 66440-01-000  
 TAILPIECE  
 11069-06-000

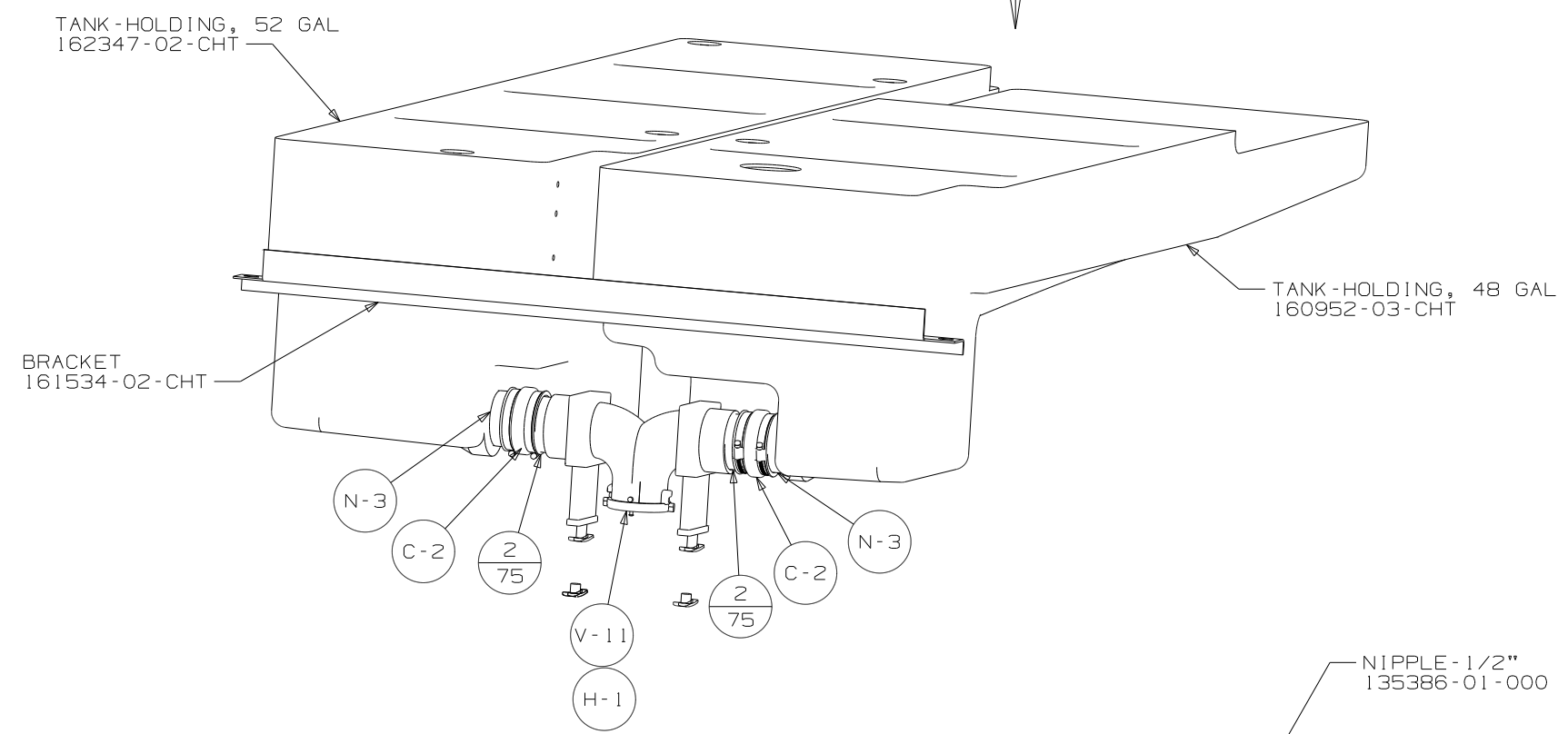


VIEW B

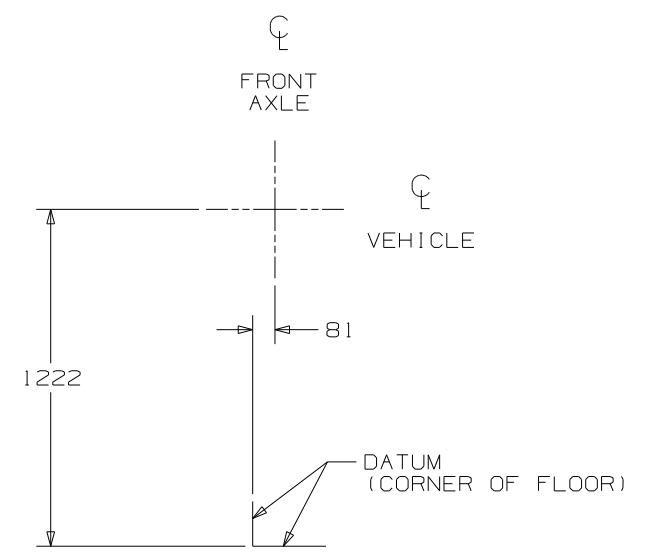


VIEW C

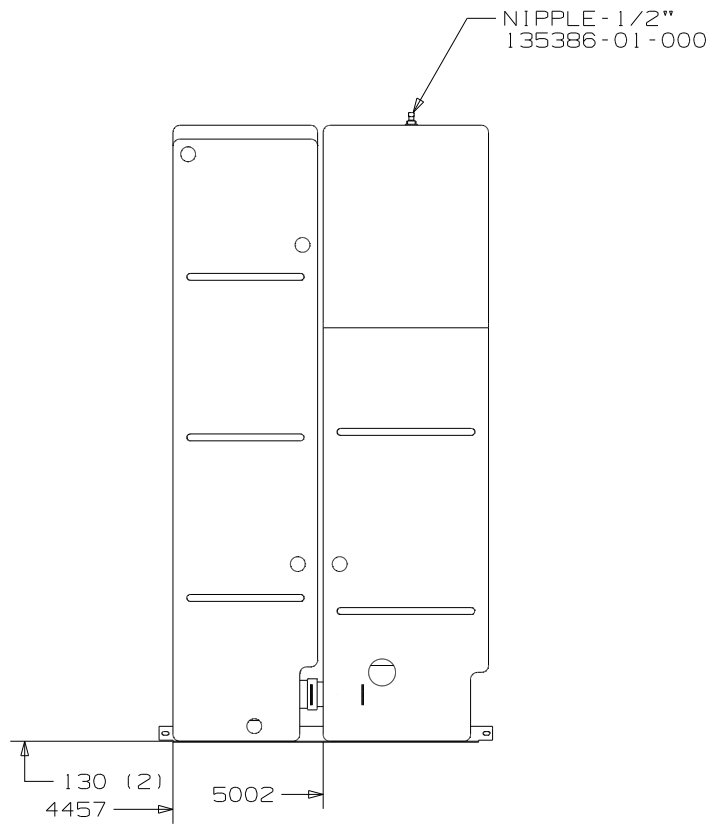
FIRST USED	08 M37G	
TITLE:	DO NOT SCALE DRAWING	
	DRAINAGE SYSTEM INSTL	
SHEET 2	PART NO	REV
	161875	



VIEW D



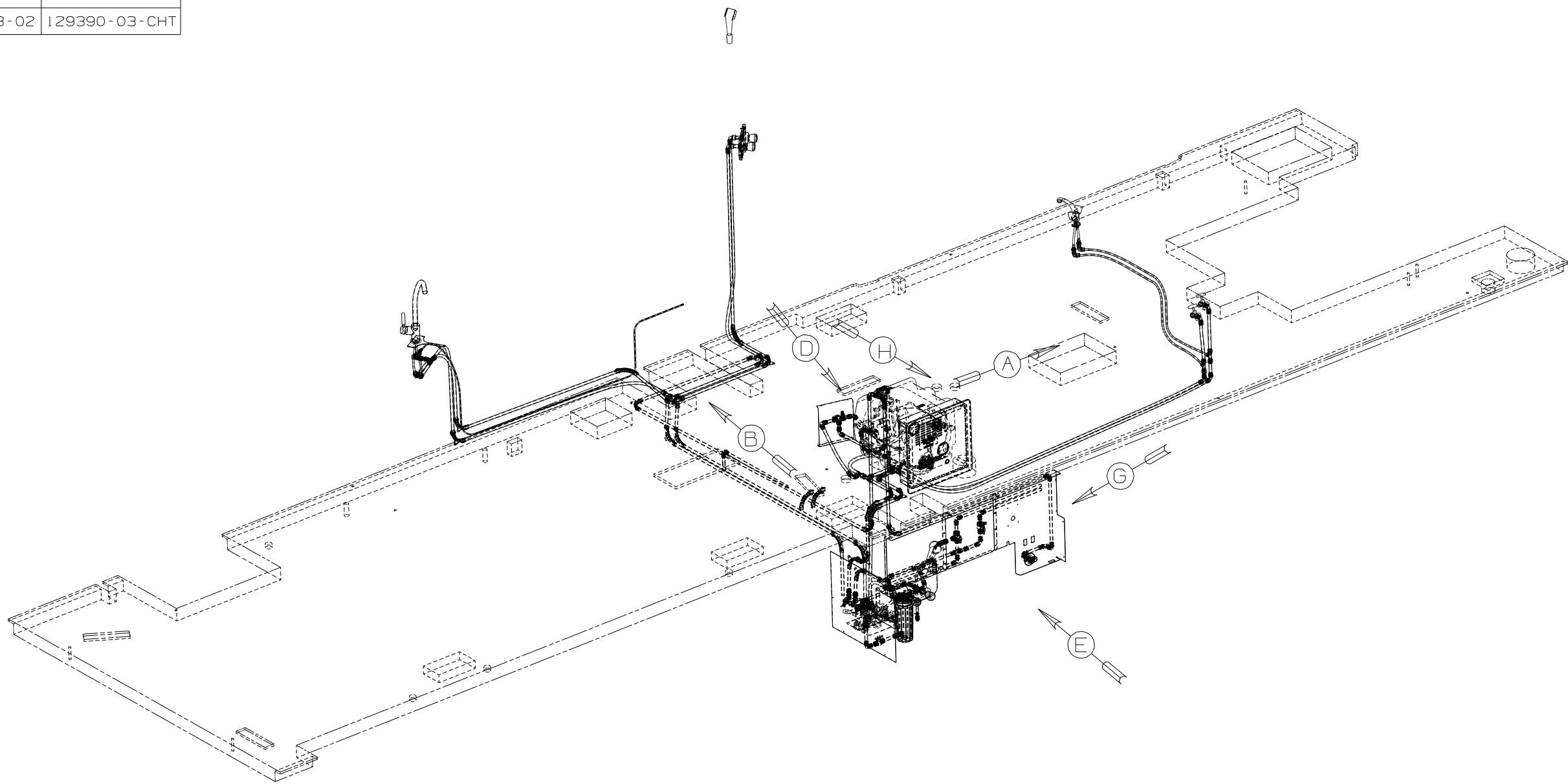
VIEW E



FIRST USED	08 M37G		
TITLE	DO NOT SCALE DRAWING		
	DRAINAGE SYSTEM INSTL		
SHEET 3	PART NO	161875	REV

DWG NO	SHOWER HEAD
162263-01	131383-01-CHT
162263-02	129390-03-CHT

RELEASE	REV DATE	DWG NO
A		162263
REV ZONE	REVISION RECORD	DATE
		DFTR-0016



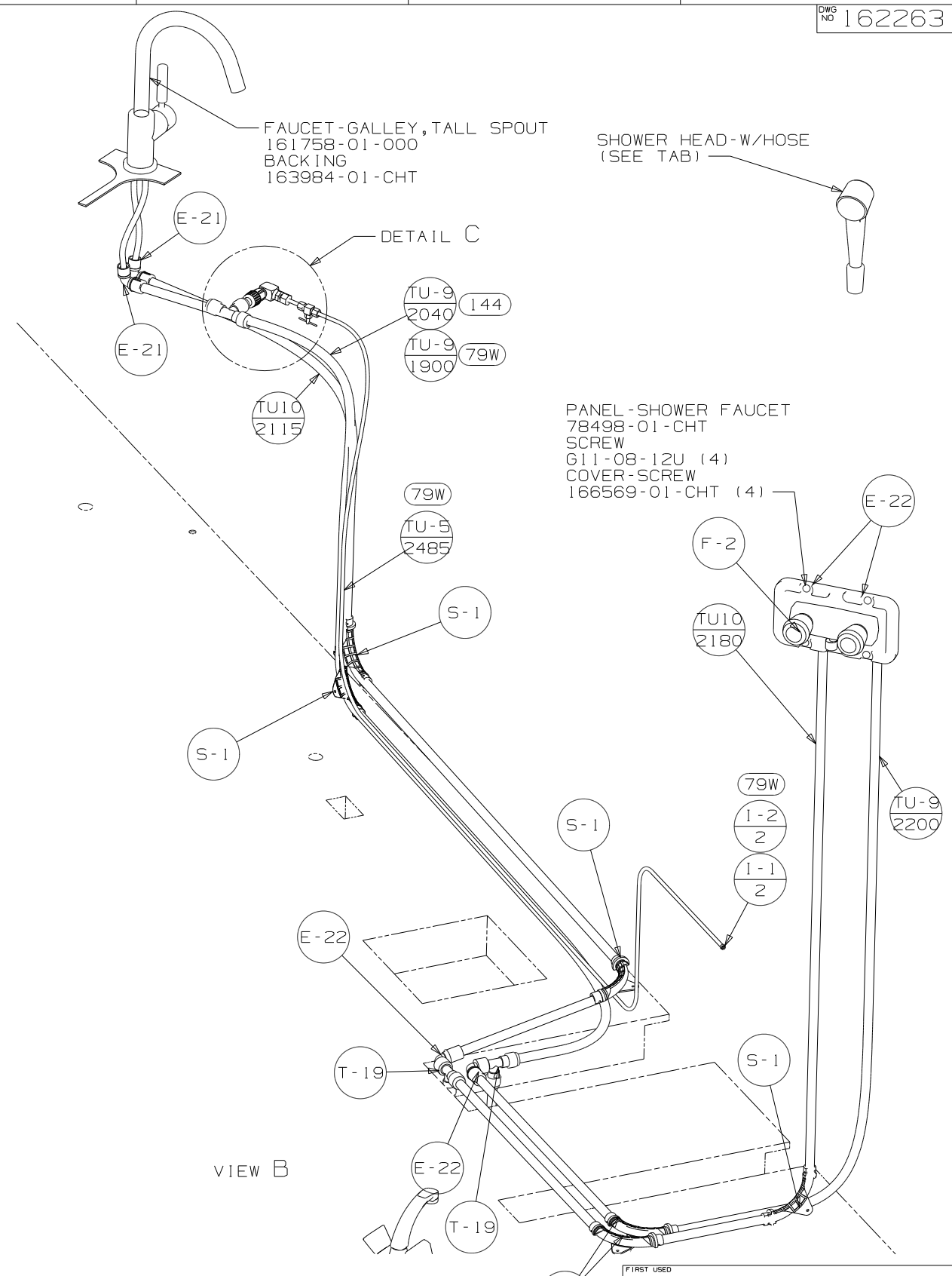
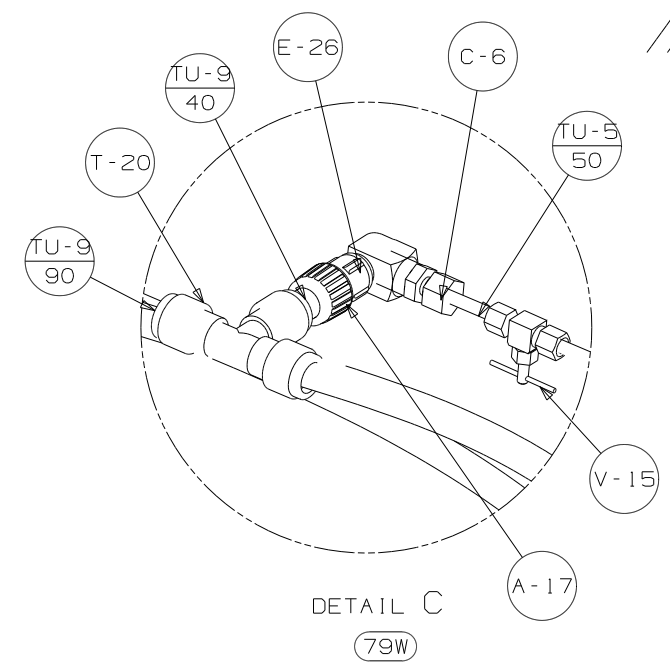
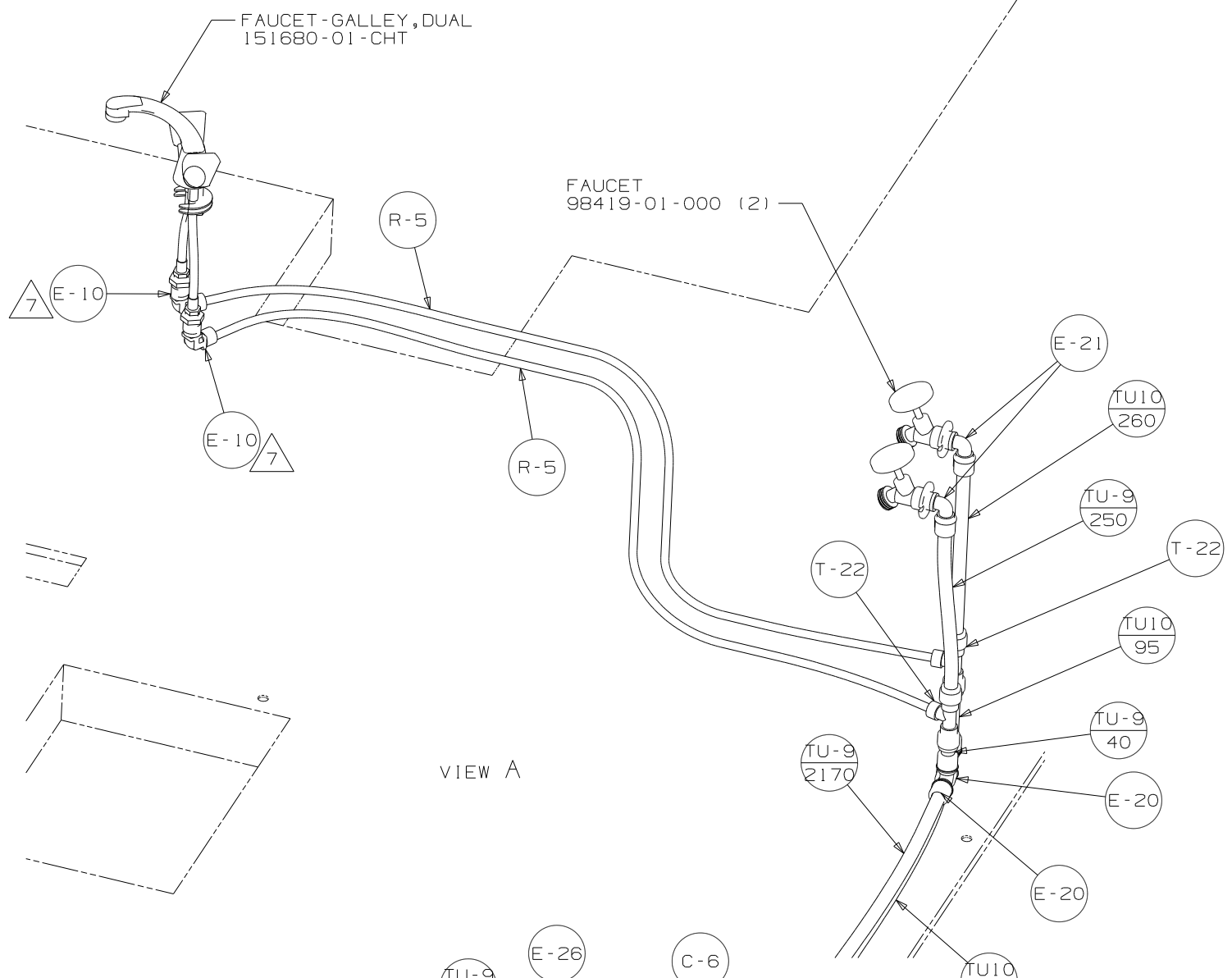
- (144) REFRIGERATOR-LG DBL DOOR
- (79W) REFRIGERATOR-4 DOOR W/ICEMAKER

- 7 ADD PIPE WRAP (LADDER SCRAP 110157-02-000) INSULATION.
  - 6 ADD TEFLON TAPE 10405-03-000.
  - 5 ADD TEFLON TAPE 10405-02-000.
  - 4 ADD TEFLON TAPE 10405-01-000.
3. ALL TUBING TO BE SECURED AT 1200 INTERVALS MAXIMUM WITH CLAMP 10495-01-000 AND SCREW G67-10-12B OR EQUIVALENT.
  2. TUBING TO BE INSTALLED WITH SUFFICIENT SLOPE TO PROVIDE DRAINAGE TO NEAREST VALVE.
  1. PLASTIC FITTINGS TO BE SEALED WITH SEALANT 84456-01-000.

NOTES:

(X-X)  
FOR  
WATER  
CALLOUTS  
SEE DWG NO  
116230-01-000

<b>WINNEBAGO</b>		COPYRIGHT 2008 WINNEBAGO INDUSTRIES, INC.	
DFTR	ORIG. DATE	ALL DIMENSIONS ARE IN MILLIMETERS	
CHKR		FIRST USED	
P.E.		08 M37G	
M.E.		UNSPECIFIED TOLERANCES ARE:	
DSNR		MATERIAL:	
		WHOLE DIM (X)	: 3
		ONE-PLACE (X.X)	: 1.5
		TWO-PLACE (X.XX)	: 0.50
		ANGLE	: 1°
THIRD ANGLE PROJECTION		DO NOT SCALE DRAWING	
TITLE: WATER SYSTEM INSTL			
SHEET 1 OF 4	PART NO	162263	REV
REF:	1 1/17/2008		



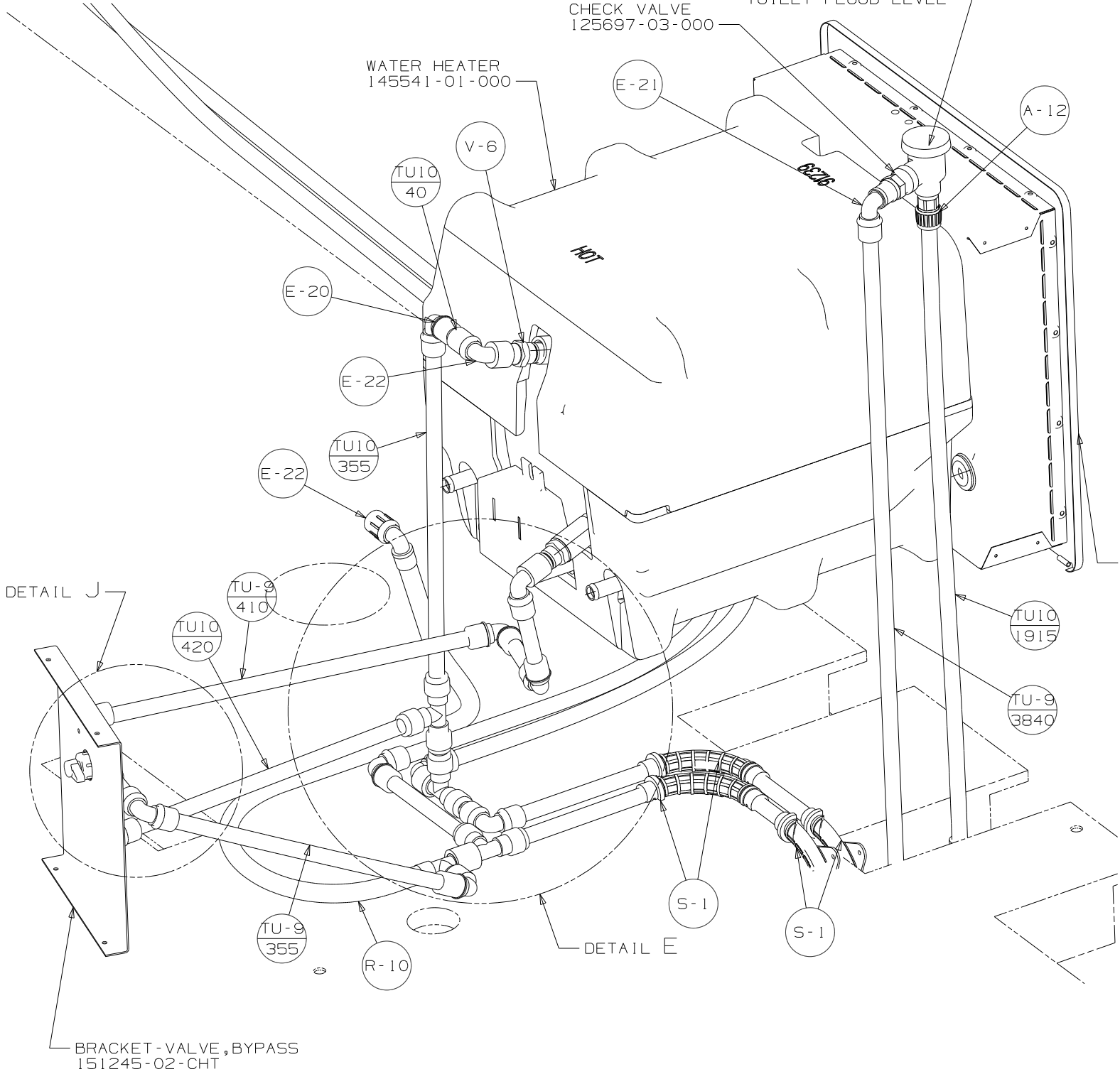
PANEL - SHOWER FAUCET  
78498-01-CHT  
SCREW  
G11-08-12U (4)  
COVER-SCREW  
166569-01-CHT (4)

FIRST USED	08 M37G	
TITLE:	DO NOT SCALE DRAWING	
SHEET 2	PART NO	162263
	REV	1 1/17/2008

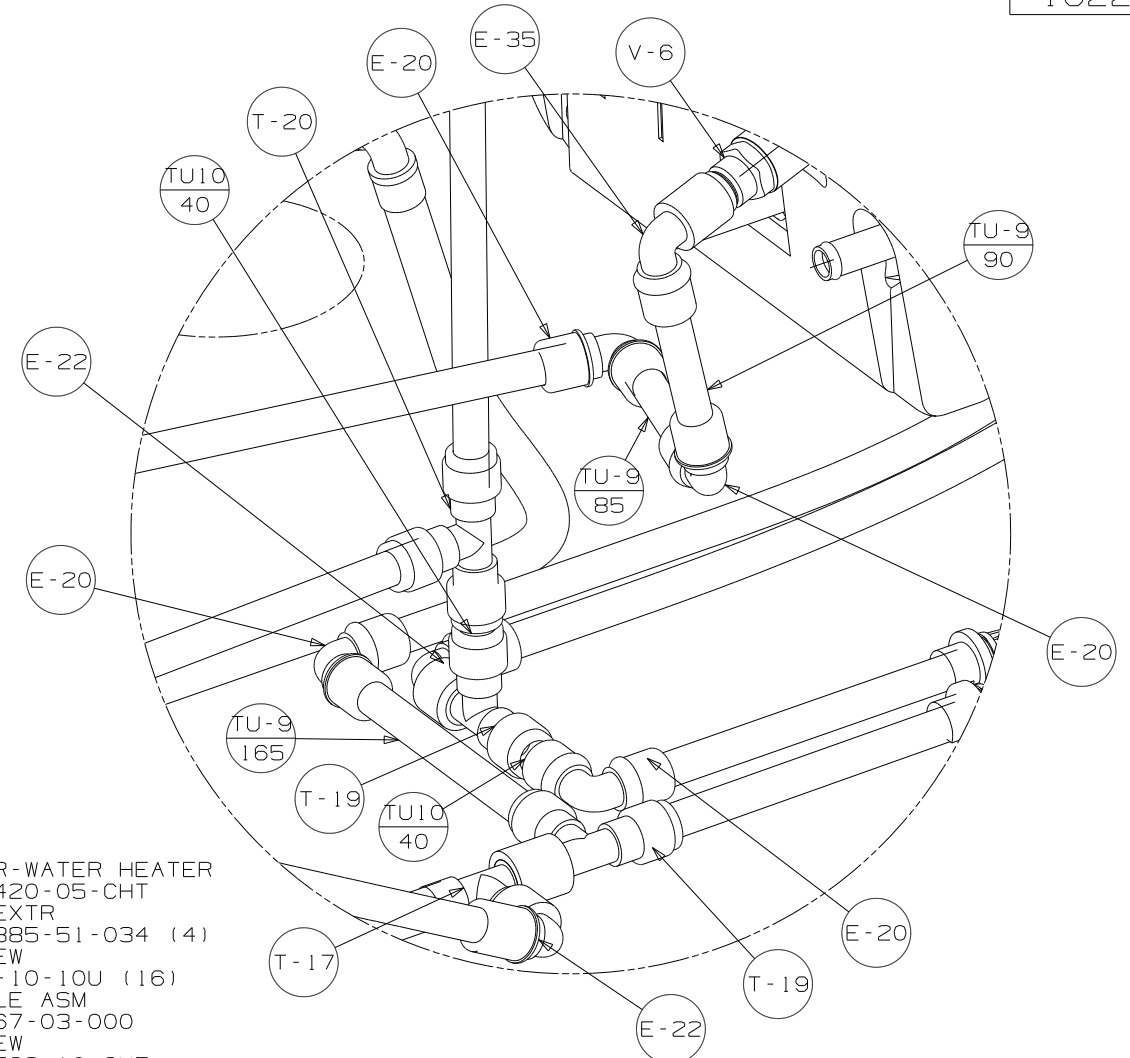
BREAKER-VACUUM  
125697-04-000  
MUST BE MOUNTED ABOVE  
TOILET FLOOD LEVEL

CHECK VALVE  
125697-03-000

WATER HEATER  
145541-01-000

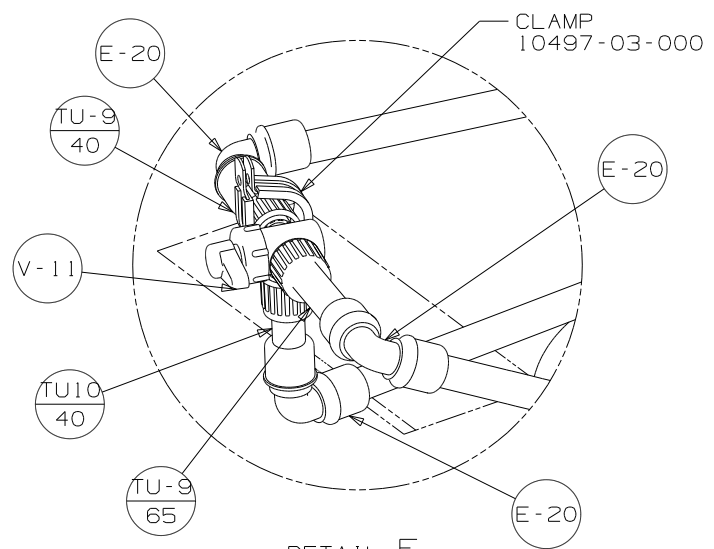


VIEW D



DETAIL E

DOOR-WATER HEATER  
125420-05-CHT  
AL EXTR  
100885-51-034 (4)  
SCREW  
G39-10-10U (16)  
CABLE ASM  
76767-03-000  
SCREW  
113563-10-CHT  
SEALNT  
69640-03-000

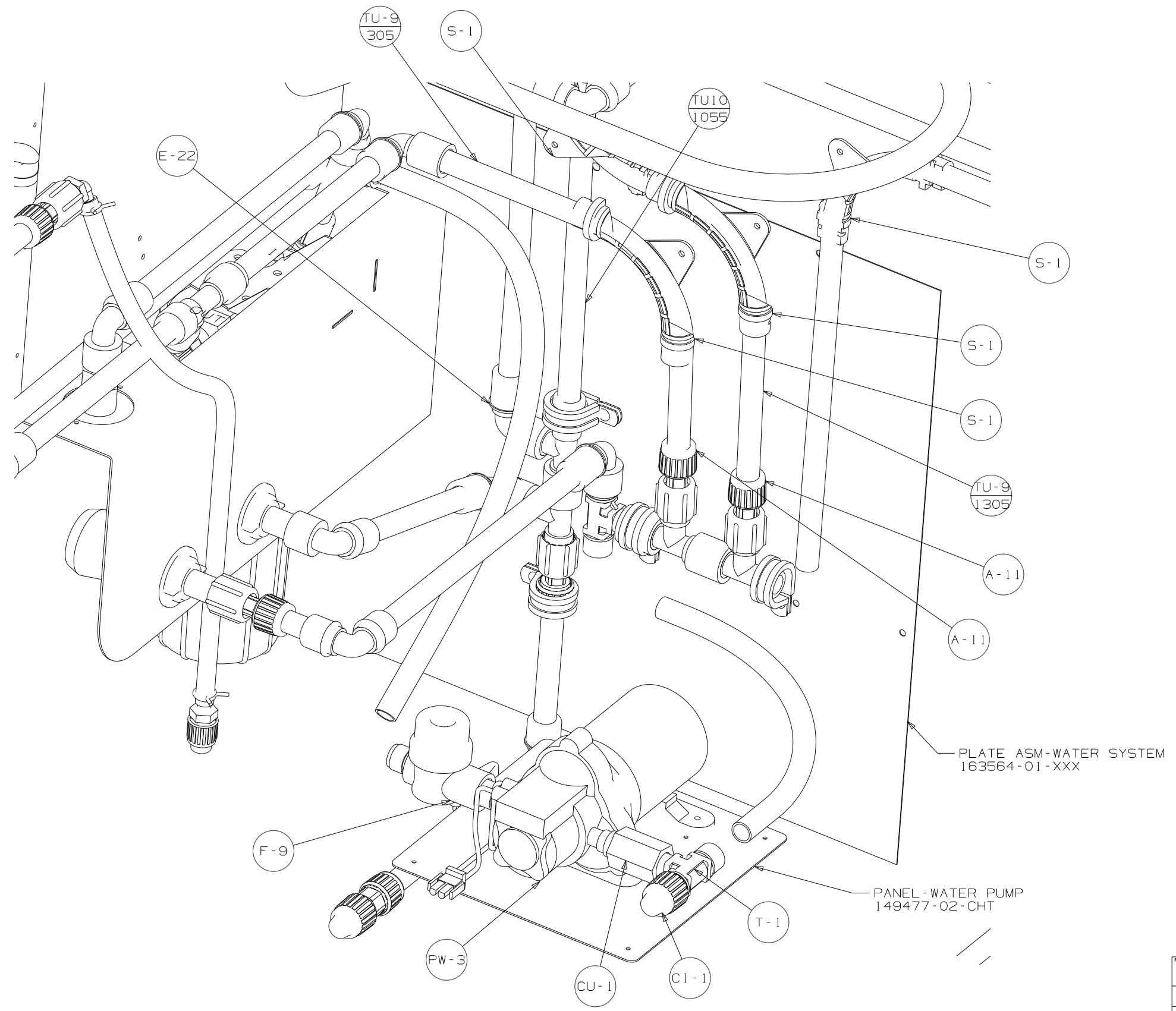


DETAIL F  
(BRACKET REMOVED  
TO SHOW FITTINGS)

DETAIL J

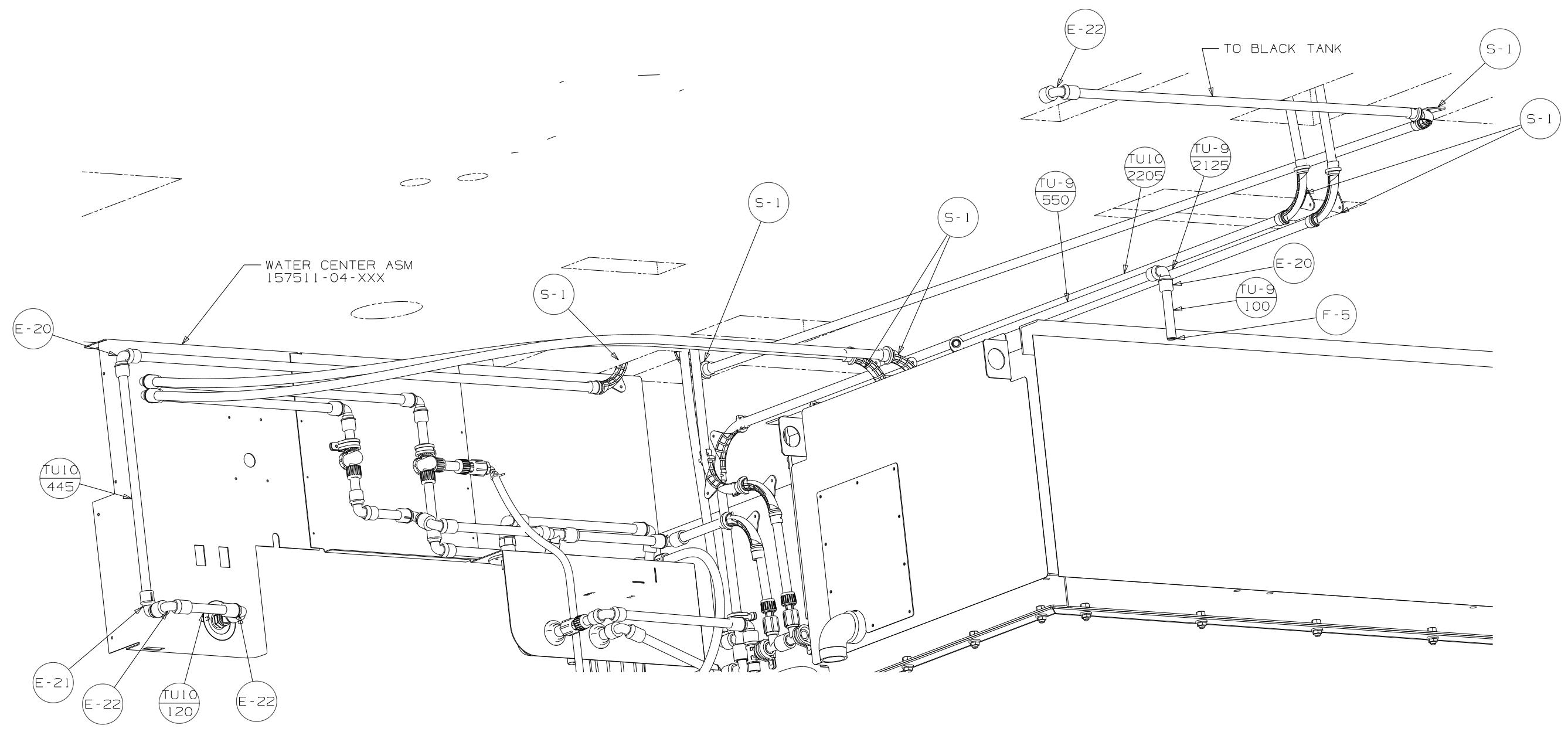
BRACKET - VALVE, BYPASS  
151245-02-CHT

FIRST USED	08 M37G
TITLE:	DO NOT SCALE DRAWING
TITLE:	WATER SYSTEM INSTL
SHEET 3	PART NO 162263 REV



VIEW G

FIRST USED	08 M37G
TITLE	DO NOT SCALE DRAWING
SHEET 4	PART NO 162263
	REV 1 1/17/2008



VIEW H

FIRST USED	08 M37G		
TITLE:	DO NOT SCALE DRAWING		
SHEET 5	PART NO	162263	REV
			1 1/17/2008