

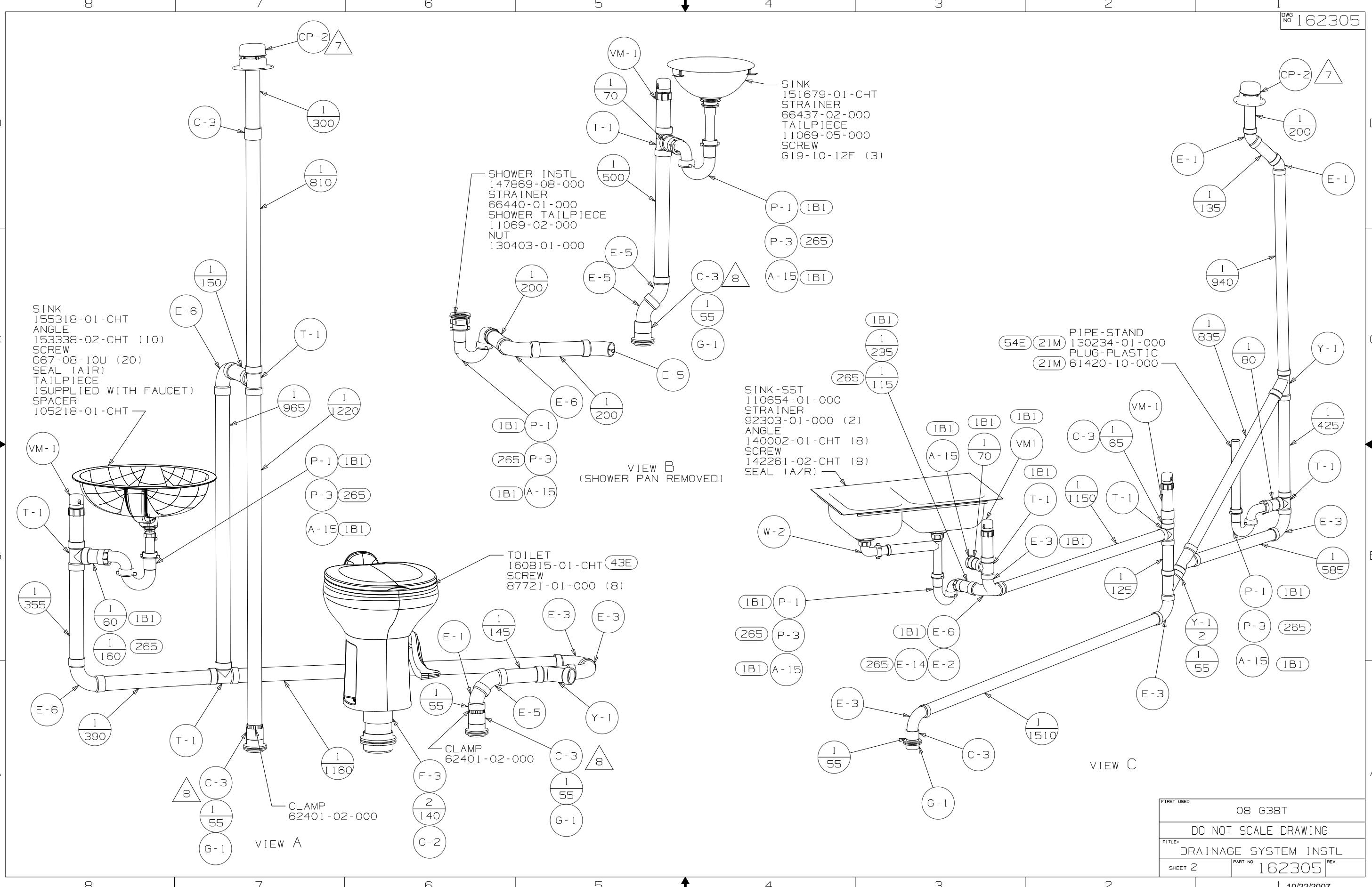
FRONT OF  
VEHICLE

- (265) CODES/STANDARDS - CSA/CMVSS
- (1B1) CODES/STANDARDS - USA
- (43E) TOILET - PORCELAIN, ROUND
- (21M) WASHER/DRYER PREP
- (54E) WASHER/DRYER

- NOTES:
1. SLOPE OF HORIZONTAL PIPING TO BE 6 PER 305 mm.
  2. SLOPE OF TRAP ARM MUST BE 6 PER 305 mm.
  3. ALL PIPE AND FITTINGS TO BE ASSEMBLED WITH SOLVENT 4020-01-000 (US), 4020-02-000 (CAN).
  4. ALL EXTERIOR OPENINGS AROUND PIPE TO BE SEALED WITH 100744-01-000.
  5. SEAL AROUND SHOWER WITH SILICONE.
  6. FOR CANADIAN UNITS EACH HOLDING TANK SHALL HAVE A CSA APPROVAL STAMPED NEAR THE IAMPO APPROVAL.
  7. VENT PIPE MUST PROJECT 51 MIN AND 64 MAX ABOVE ROOF FOR PROPER FIT AND FUNCTION.
  8. SECURE VENT TUBES TO FLOOR WITH BRACKET 136878-01-CHT (3) CLAMP 62401-02-000 (3), SCREW G67-10-12B (3).

FOR  
DRAINAGE  
CALLOUTS  
SEE DWG NO.  
116229-01-000

<b>WINNEBAGO</b>		COPYRIGHT 2007 WINNEBAGO INDUSTRIES, INC.	
DFT	ORIG. DATE	ALL DIMENSIONS ARE IN MILLIMETERS	
CHKR		FIRST USED	
P.E.		08 G38T	
M.E.			
DSNR			
UNSPECIFIED TOLERANCES ARE:		MATERIAL:	
WHOLE DIM (X)	: 3		
ONE-PLACE (X.X)	:		
TWO-PLACE (X.XX)	:		
ANGLE	:		
THIRD ANGLE PROJECTION			
DO NOT SCALE DRAWING			
TITLE: DRAINAGE SYSTEM INSTL			
SHEET 1 OF 3	PART NO	162305	REV
REF:	10/22/2007		



SINK  
 155318-01-CHT  
 ANGLE  
 153338-02-CHT (10)  
 SCREW  
 G67-08-10U (20)  
 SEAL (AIR)  
 TAILPIECE  
 (SUPPLIED WITH FAUCET)  
 SPACER  
 105218-01-CHT

SHOWER INSTL  
 147869-08-000  
 STRAINER  
 66440-01-000  
 SHOWER TAILPIECE  
 11069-02-000  
 NUT  
 130403-01-000

SINK  
 151679-01-CHT  
 STRAINER  
 66437-02-000  
 TAILPIECE  
 11069-05-000  
 SCREW  
 G19-10-12F (3)

SINK-SST  
 110654-01-000  
 STRAINER  
 92303-01-000 (2)  
 ANGLE  
 140002-01-CHT (8)  
 SCREW  
 142261-02-CHT (8)  
 SEAL (A/R)

TOILET  
 160815-01-CHT (43E)  
 SCREW  
 87721-01-000 (8)

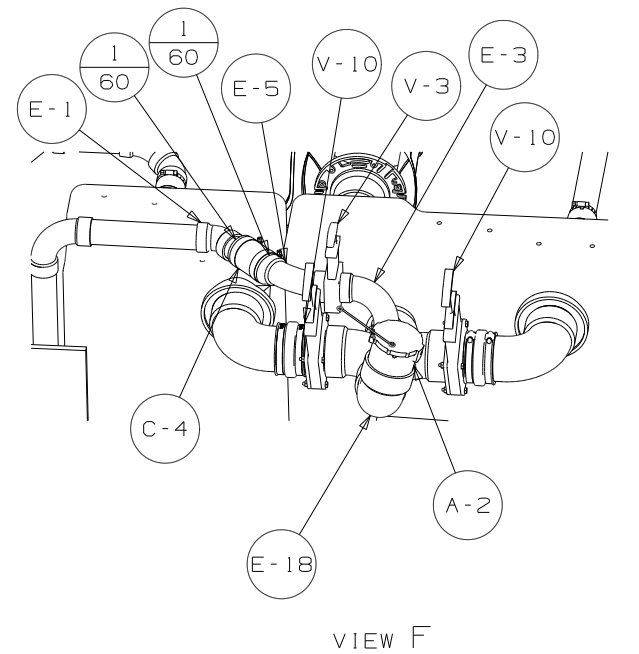
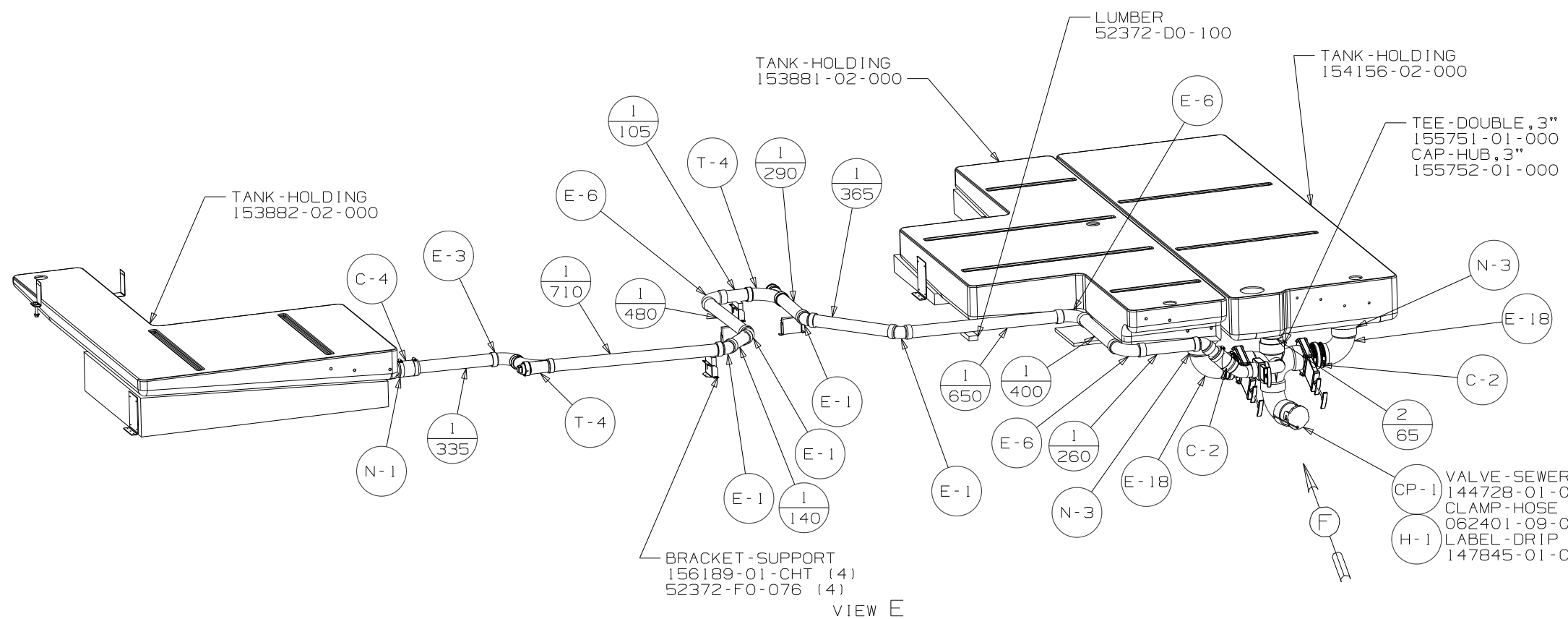
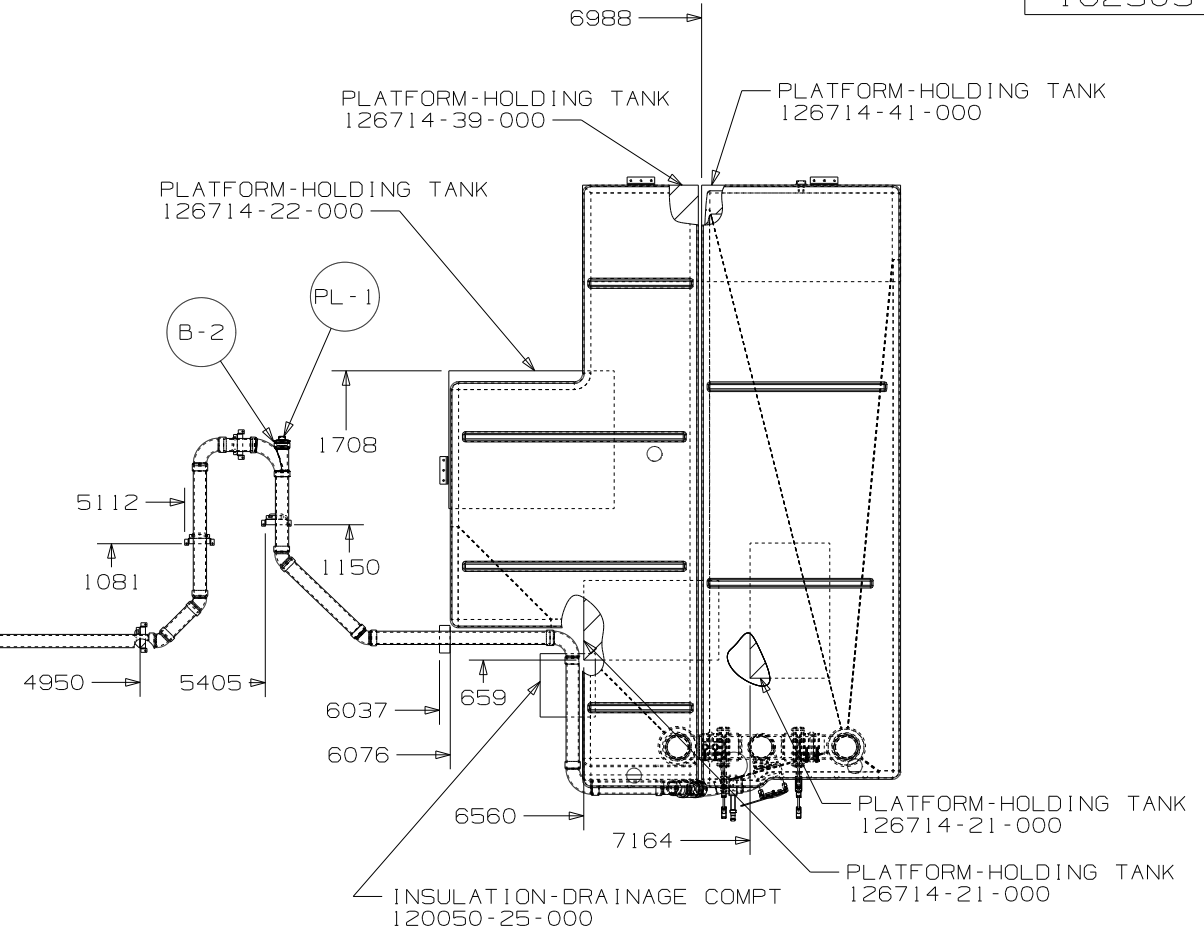
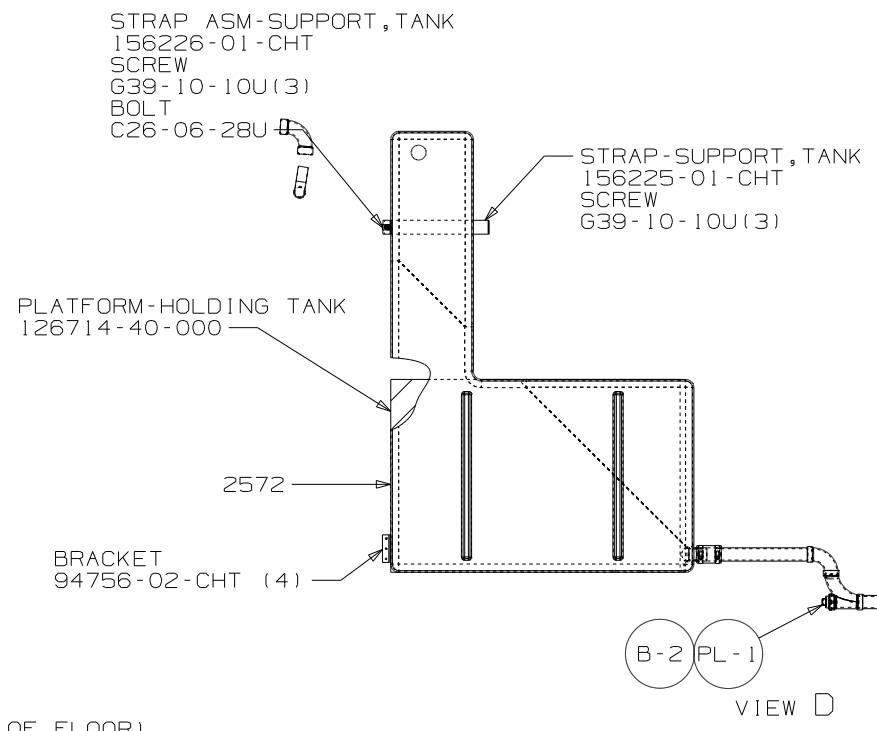
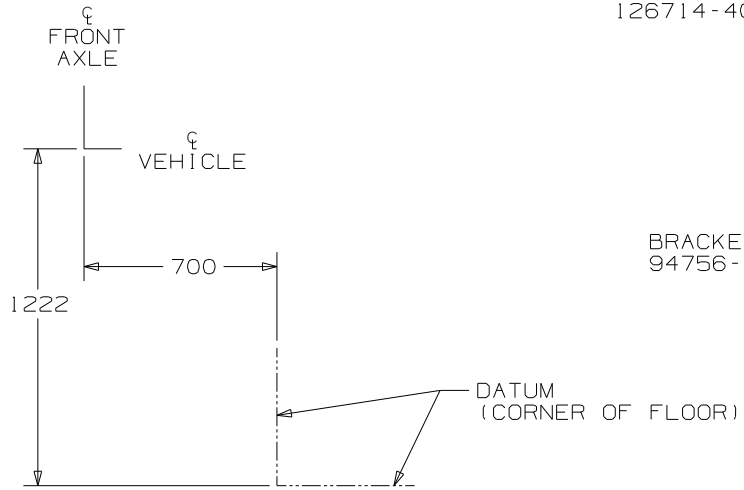
PIPE-STAND  
 130234-01-000  
 PLUG-PLASTIC  
 61420-10-000

VIEW A

VIEW B  
(SHOWER PAN REMOVED)

VIEW C

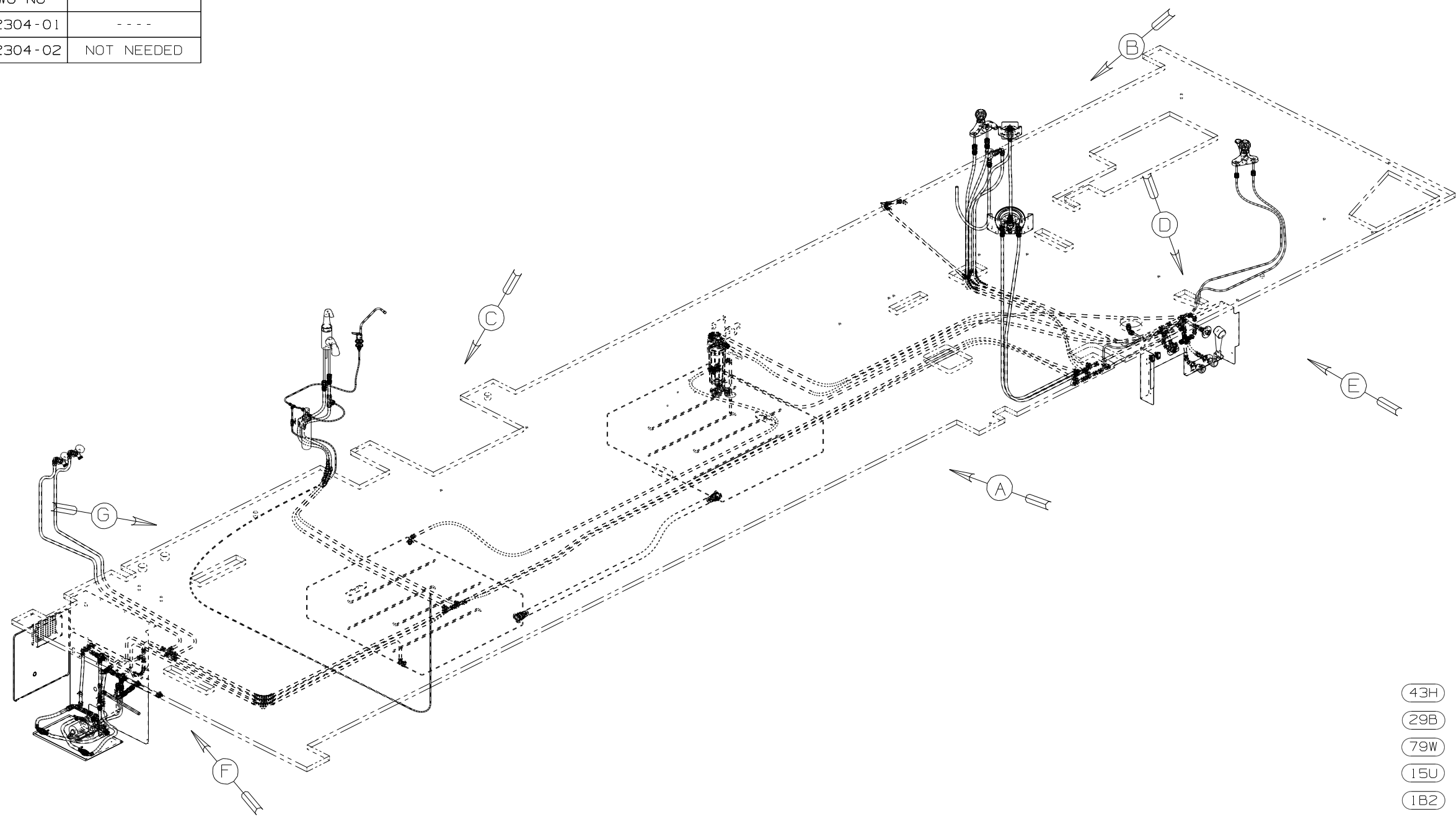
FIRST USED	08 G38T		
TITLE:	DO NOT SCALE DRAWING		
	DRAINAGE SYSTEM INSTL		
SHEET 2	PART NO	162305	REV



FIRST USED	08 G38T	
TITLE	DO NOT SCALE DRAWING	
	DRAINAGE SYSTEM INSTL	
SHEET 3	PART NO	162305
	REV	

DWG NO	----
162304-01	----
162304-02	NOT NEEDED

RELEASE	REV DATE	DWG NO
A		162304
REV ZONE	REVISION RECORD	DATE DFR-0R16



- (43H) SHOWER HEAD-HAND HELD
- (29B) WATER PURIFIER
- (79W) REFRIGERATOR-4 DOOR
- (15U) REFRIGERATOR/FRZR W/ICEMAKER
- (1B2) WTR HTR-10 GAL/ELEC/LP/MTR/ID
- (43W) CABINET-LAVATORY

- △6 ADD PIPE WRAP (LADDER SCRAP 110157-02-000) INSULATION.
  - △5 ADD TEFLON TAPE 10405-02-000.
  - △4 ADD TEFLON TAPE 10405-01-000.
3. ALL TUBING TO BE SECURED AT 1200 INTERVALS MAXIMUM WITH CLAMP 10495-01-000 AND SCREW G67-10-12B OR EQUIVALENT.
  2. TUBING TO BE INSTALLED WITH SUFFICIENT SLOPE TO PROVIDE DRAINAGE TO NEAREST VALVE.
  1. PLASTIC FITTINGS TO BE SEALED WITH SEALANT 84456-01-000.

NOTES:

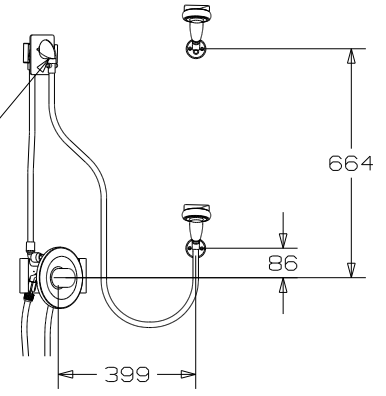
(X-X)  
FOR  
WATER  
CALLOUTS  
SEE DWG NO  
116230-01-000

<b>WINNEBAGO</b>		COPYRIGHT 2007 WINNEBAGO INDUSTRIES, INC.	
D/FR	ORIG. DATE	ALL DIMENSIONS ARE IN MILLIMETERS	
CHKR		FIRST USED	
P.E.		08 G38T	
M.E.		UNSPECIFIED TOLERANCES ARE:	
DSNR		MATERIAL:	
		WHOLE DIM (X)	: 7
		ONE-PLACE (X.X)	: 1.5
		TWO-PLACE (X.XX)	: 0.50
		ANGLE	: 1°
THIRD ANGLE PROJECTION		DO NOT SCALE DRAWING	
TITLE: WATER SYSTEM INSTL			
SHEET 1 OF 4	PART NO	162304	REV
REF:	1 9/10/2007		

- DROP ELL 135028-02-CHT
- VALVE 128974-01-CHT
- SHOWER HEAD 129390-03-CHT
- SCREW G12-10-16F (4)
- SPACER 130041-03-CHT

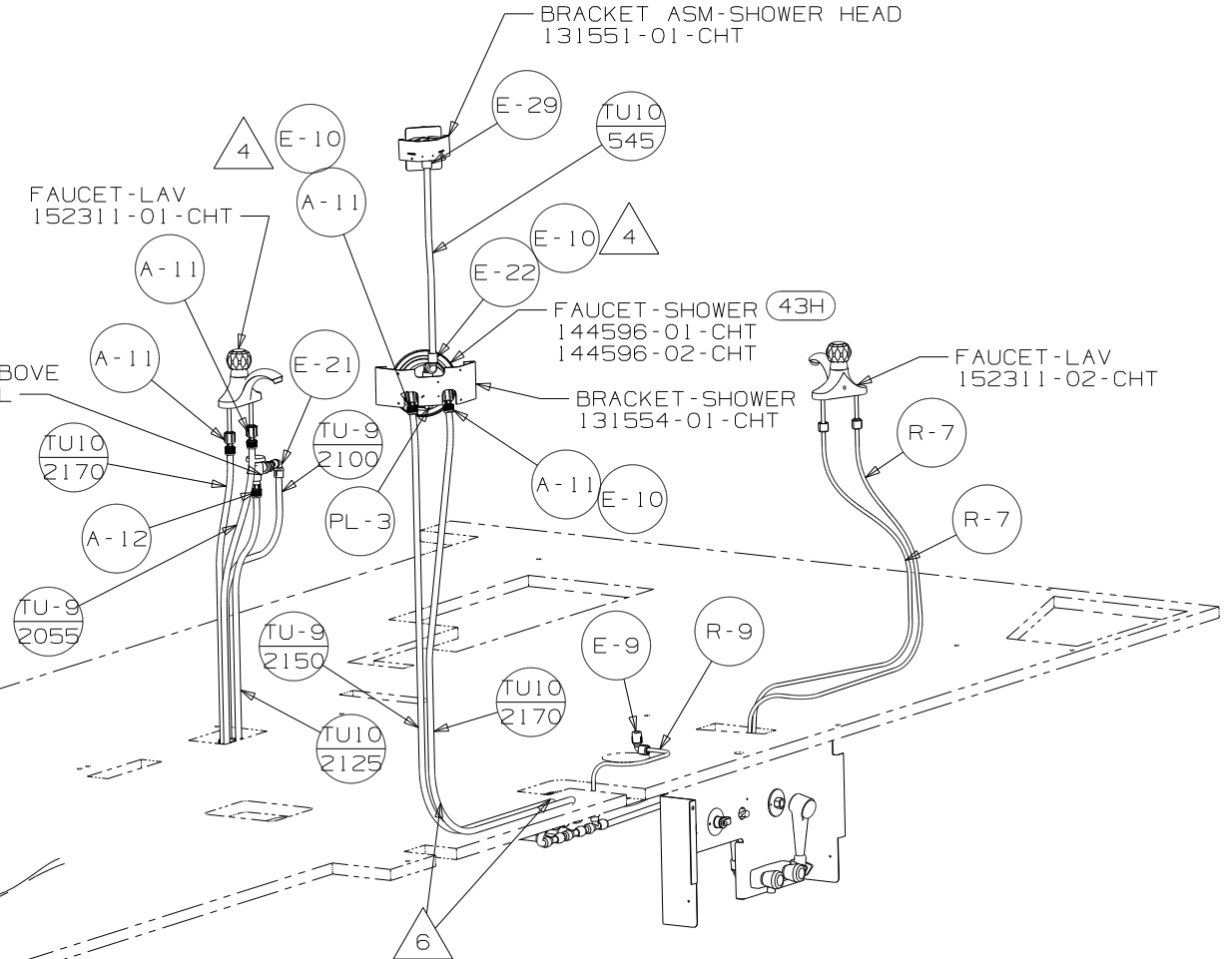
4

N-1



VIEW B (43H)

BREAKER-VACUUM  
125697-04-000  
FLUSHING SYSTEM  
125697-03-000  
MUST BE MOUNTED ABOVE  
TOILET FLOOD LEVEL

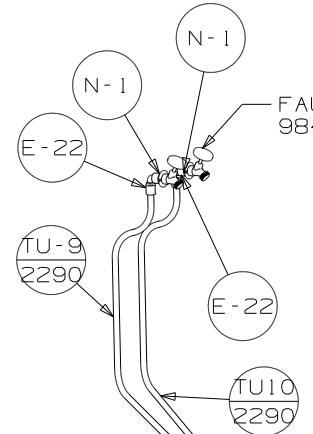


VIEW A

FAUCET-GALLEY 123744-03-CHT

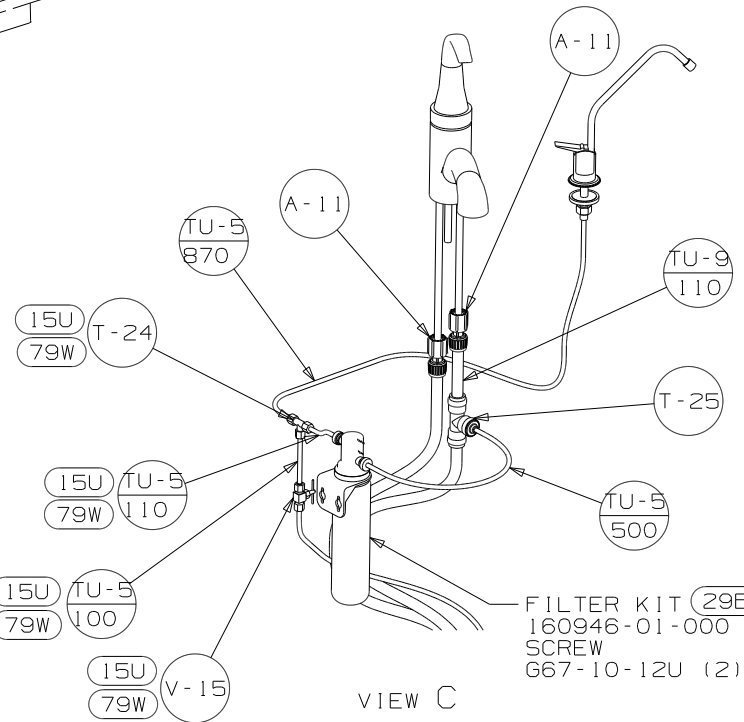
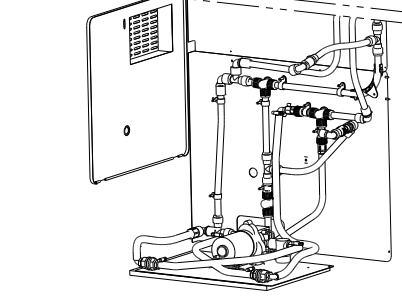
FAUCET (29B) 103635-01-000

FAUCET 98419-01-000 (2)



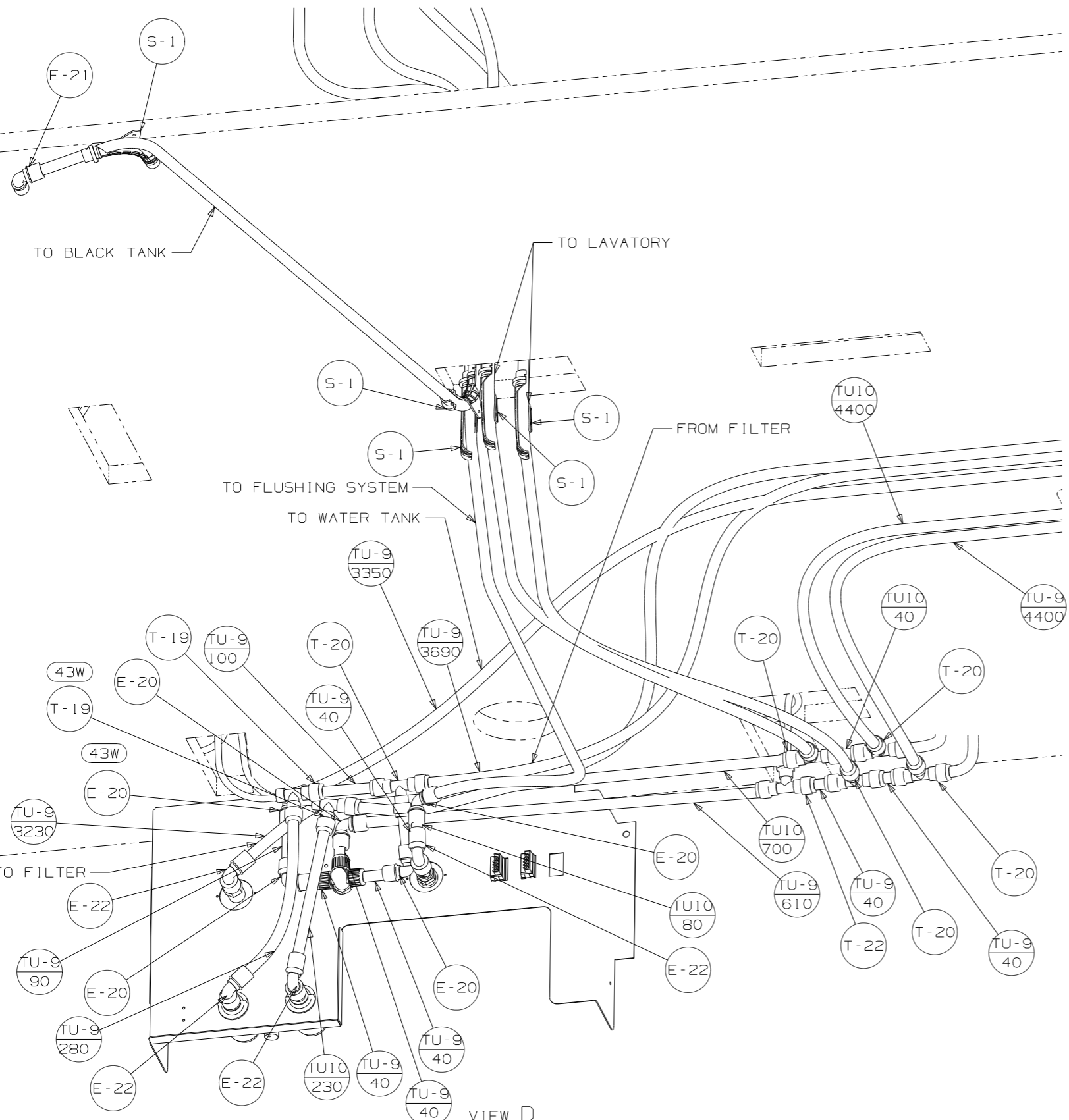
- 15U 79W
- 1-1 2
- 1-2 2

- 15U 79W
- TU-5 7300

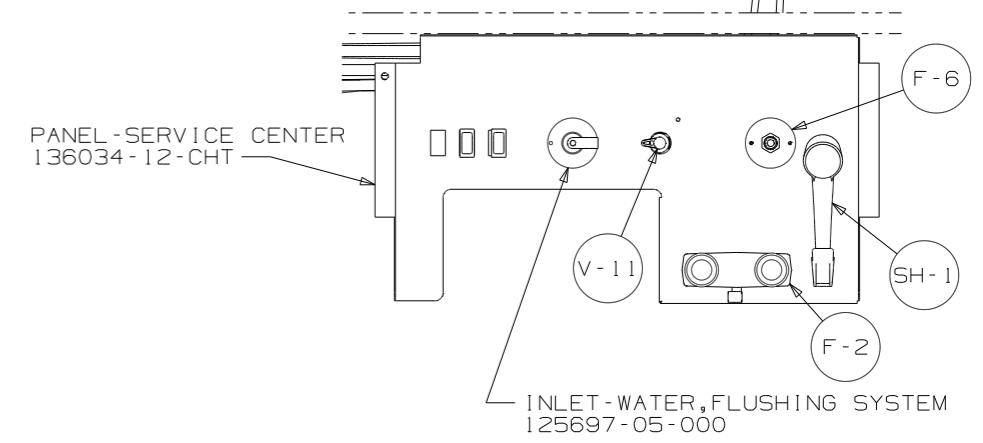


VIEW C

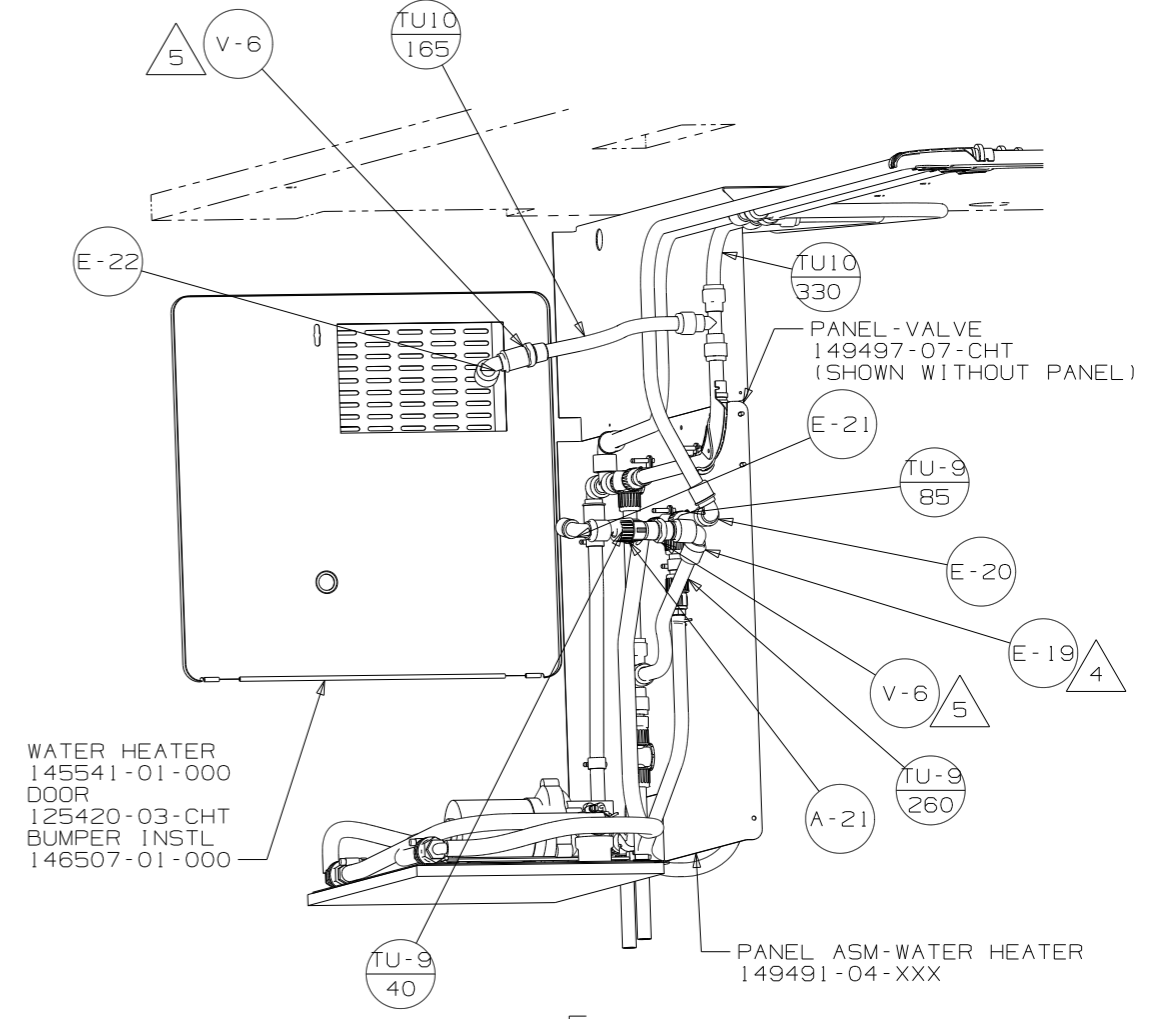
FIRST USED	08 G38T	
TITLE	DO NOT SCALE DRAWING	
	WATER SYSTEM INSTL	
SHEET 2	PART NO 162304	REV



VIEW D

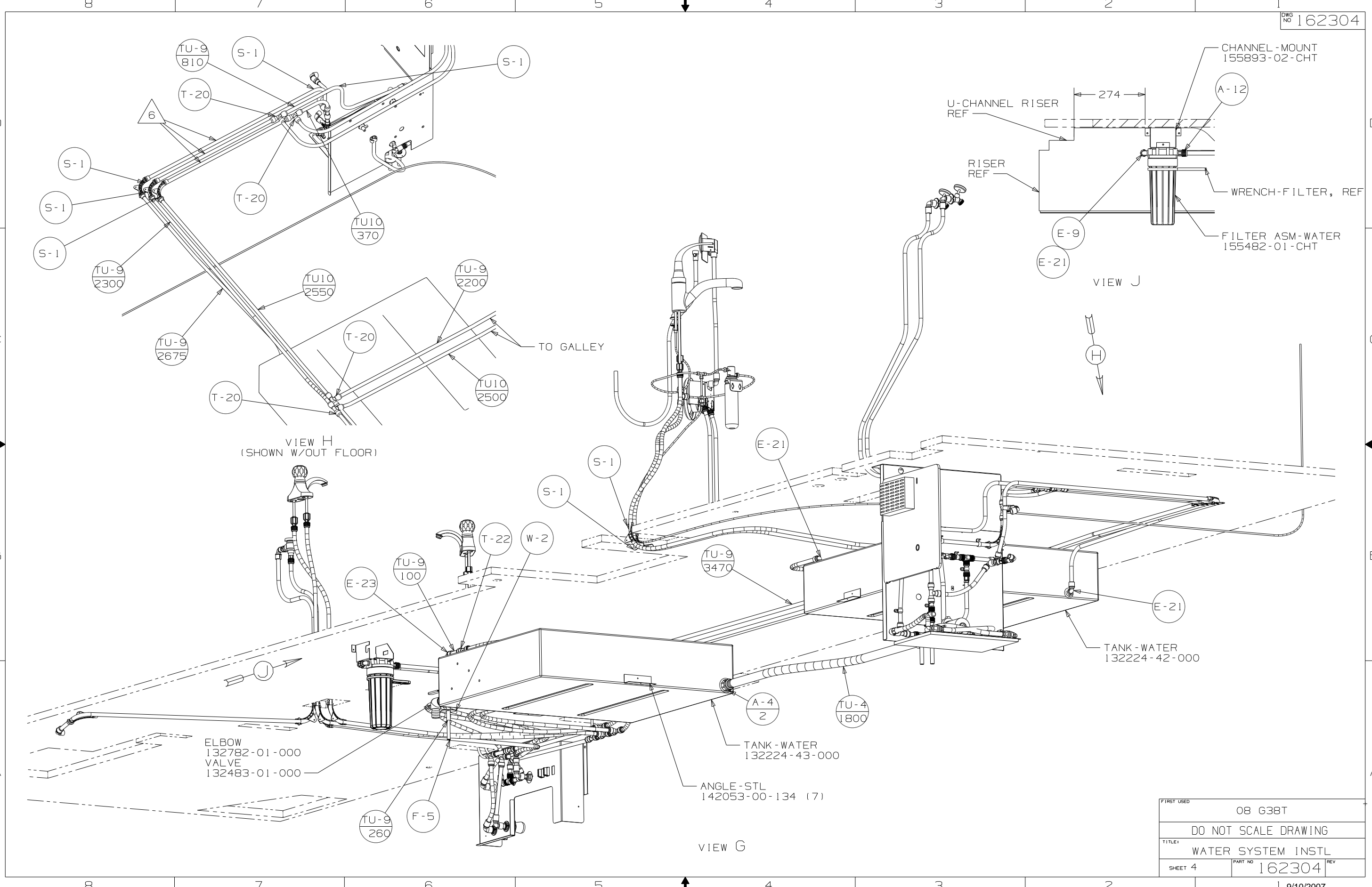


VIEW E



VIEW F

FIRST USED	08 G38T	
DO NOT SCALE DRAWING		
TITLE:	WATER SYSTEM INSTL	
SHEET 3	PART NO	162304
REV		



ELBOW  
132782-01-000  
VALVE  
132483-01-000

VIEW H  
(SHOWN W/OUT FLOOR)

VIEW J

VIEW G

FIRST USED	08 G38T
DO NOT SCALE DRAWING	
TITLE:	WATER SYSTEM INSTL
SHEET 4	PART NO 162304 REV
1 9/10/2007	