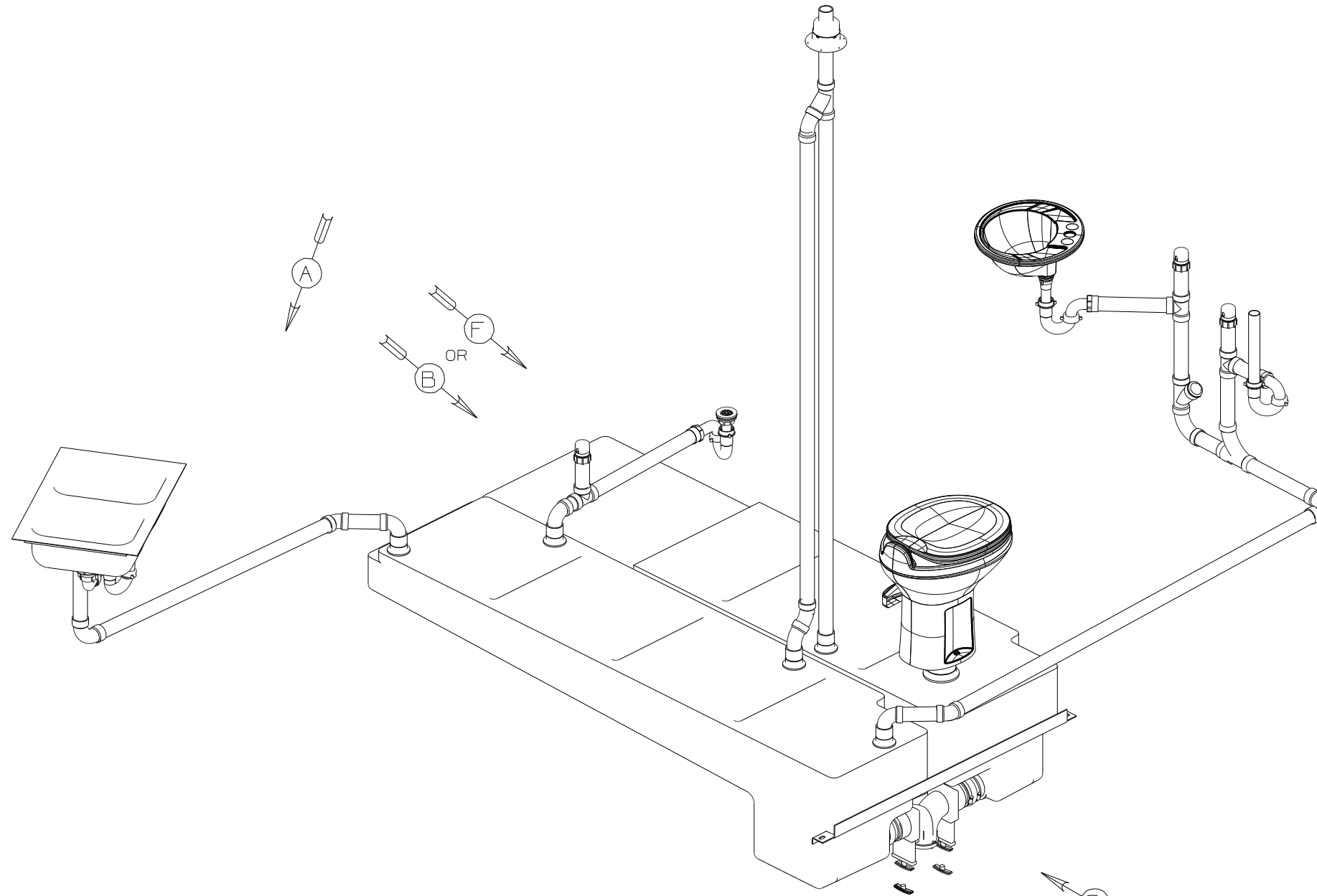


DWG NO	VIEW
167303-01	B
167303-02	F

RELEASE	REV DATE	DWG NO
A		167303
REV ZONE	REVISION RECORD	DATE
		DFTR-ORIG



- 9. USE SMOOTH PLUMBERS PUTTY 167459-01-000 TO SEAL STRAINER(.2 PER STRAINER)
- 8. SECURE DRAINAGE PIPES TO CABINET USING WIRE TIE 108046-02-000, AND SCREW G67-10-12B AT INTERVALS OF NOT MORE THAN 4 FEET APART.
- 7. SECURE VENT PIPE TO FLOOR WITH CLAMP 62401-02-000 (2),SCREW G67-10-12B (2), BRACKET 136878-01-CHT (2).
- 6. VENT PIPE MUST PROJECT 51 MIN AND 64 MAX ABOVE ROOF FOR PROPER FIT AND FUNCTION.
- 5. SEAL AROUND SHOWER WITH SILICONE.
- 4. SINK ATTACHMENT HARDWARE IS INCLUDED WITH SINK.
- 3. ALL PIPE AND FITTINGS TO BE ASSEMBLED WITH SOLVENT 4020-01-000 (USA), 4020-02-000 (CAN)
- 2. SLOPE OF TRAP ARM MUST BE 6 PER 305 mm.
- 1. SLOPE OF HORIZONTAL PIPING TO BE MINIMUM OF 3 PER 305 mm.

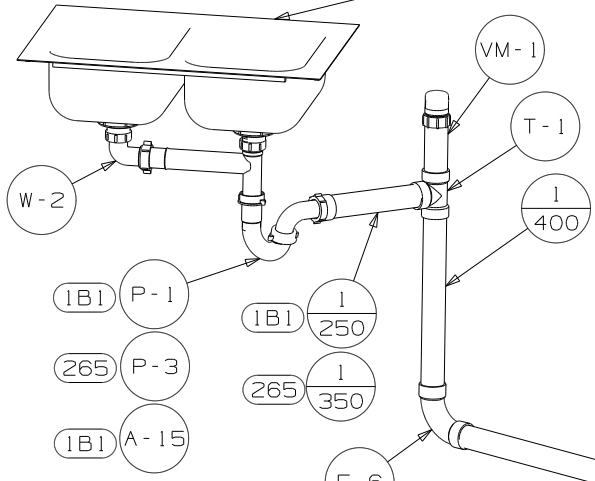
NOTES:

- 54E WASHER/DRYER
- 21M WASHER/DRYER PREP

WINNEBAGO		COPYRIGHT 2008 WINNEBAGO INDUSTRIES, INC.	
DFTR	ORIG. DATE	ALL DIMENSIONS ARE IN MILLIMETERS	
CHKR		FIRST USED	
P.E.		09 M37G	
M.E.		UNSPECIFIED TOLERANCES ARE:	
DSNR		MATERIAL:	
		WHOLE DIM (X)	: 3
		ONE-PLACE (X.X)	: 1.5
		TWO-PLACE (X.XX)	: 0.50
		ANGLE	: 1°
THIRD ANGLE PROJECTION		DO NOT SCALE DRAWING	
TITLE:		DRAINAGE SYSTEM INSTL	
SHEET 1 OF 3	PART NO	167303	
REF:		1 7/11/2008	

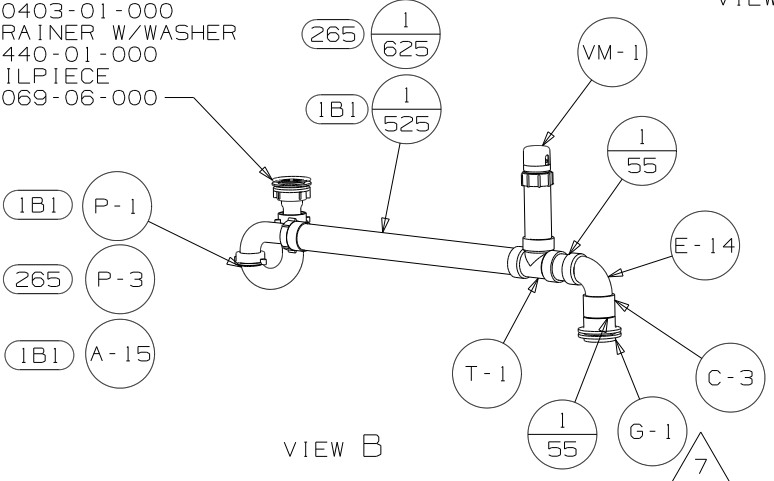
FOR
DRAINAGE
CALLOUTS
SEE DWG NO
116229-01-000

SINK - GALLEY, DBL
104113-01-CHT
STRAINER
92303-01-000 (2)
SEAL
91255-02-000 (A/R)



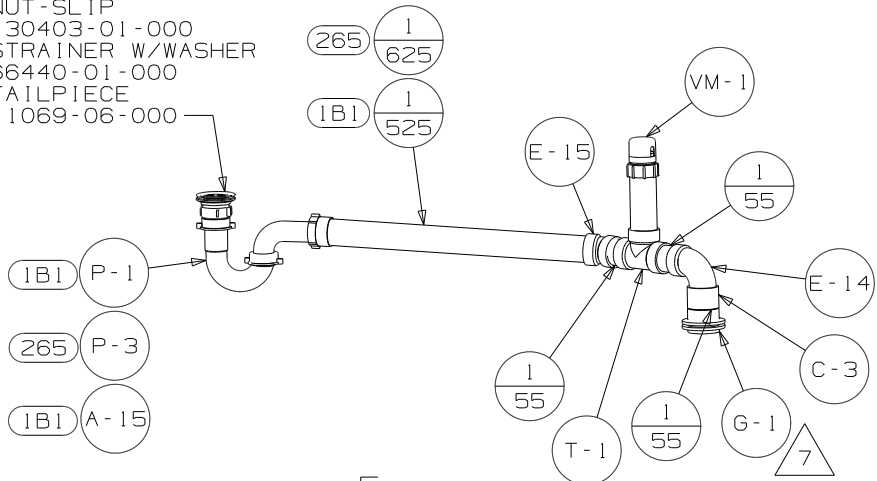
VIEW A

SHOWER INSTL
166788-07-000
GASKET-FOAM
132376-01-CHT
NUT-SLIP
130403-01-000
STRAINER W/WASHER
66440-01-000
TAILPIECE
11069-06-000

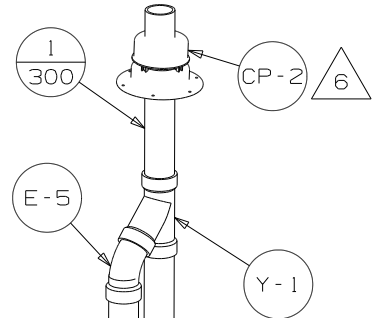


VIEW B

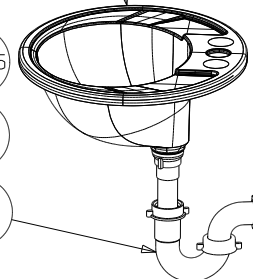
SHOWER INSTL
147868-04-000
GASKET-FOAM
132376-01-CHT
NUT-SLIP
130403-01-000
STRAINER W/WASHER
66440-01-000
TAILPIECE
11069-06-000



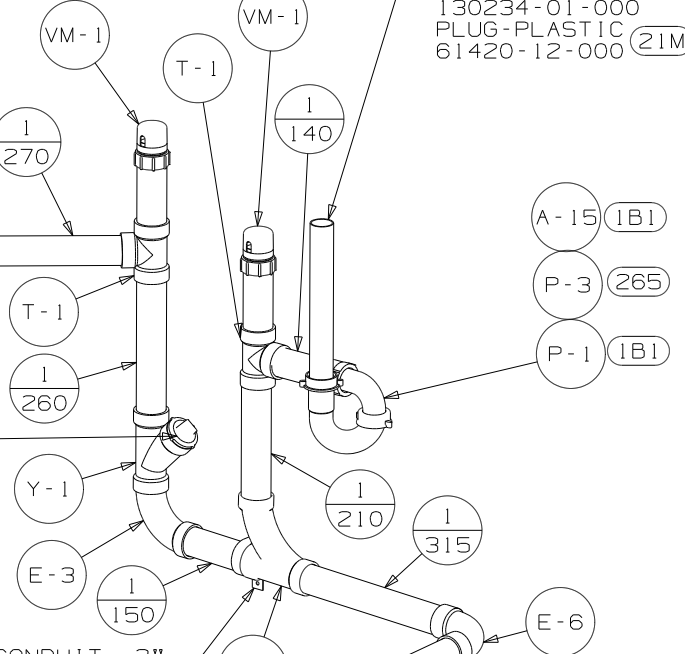
VIEW F



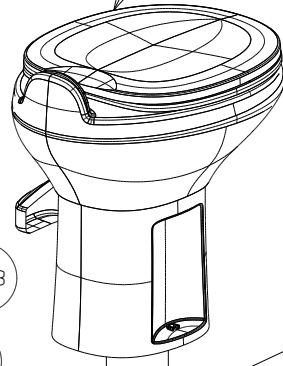
SINK - LAVATORY
164615-02-CHT
STRAINER ASM
106116-01-CHT



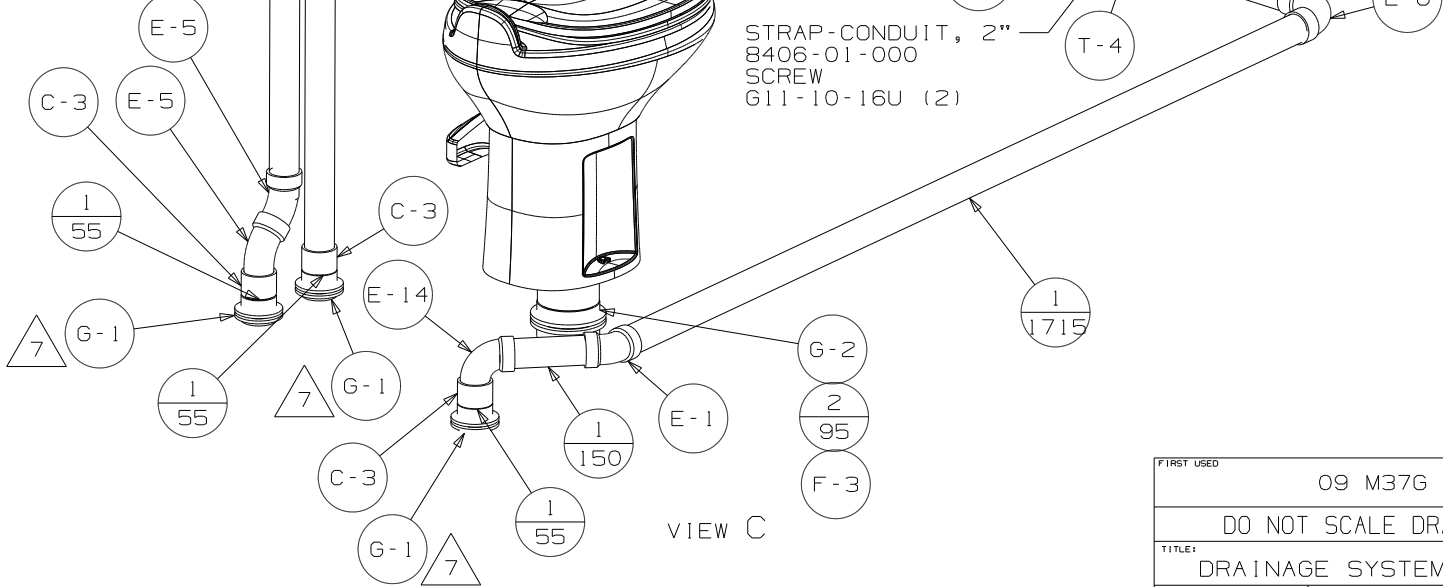
PIPE-STAND
130234-01-000
PLUG-PLASTIC
61420-12-000



TOILET W/SPRAYER
160815-01-CHT

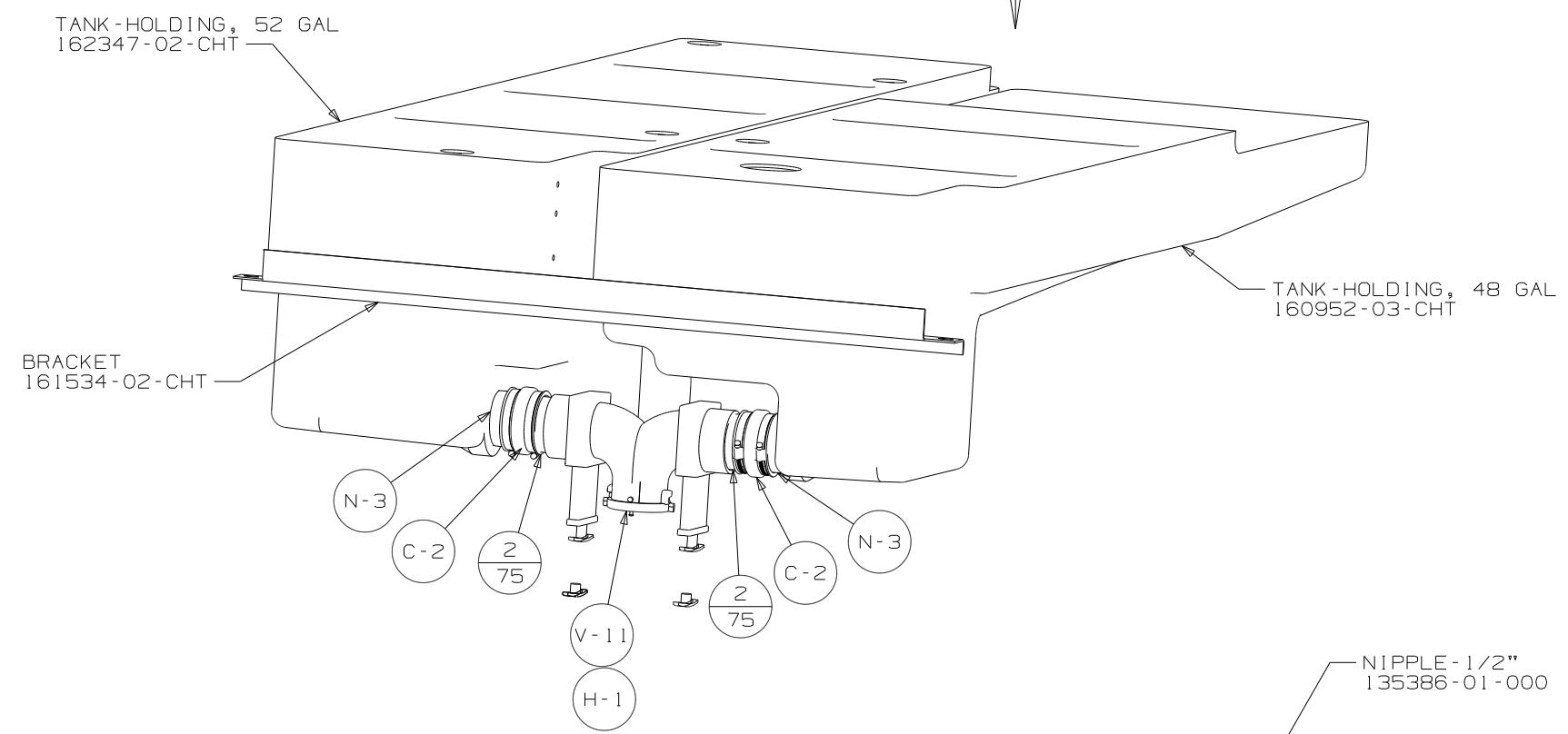


STRAP-CONDUIT, 2"
8406-01-000
SCREW
G11-10-16U (2)

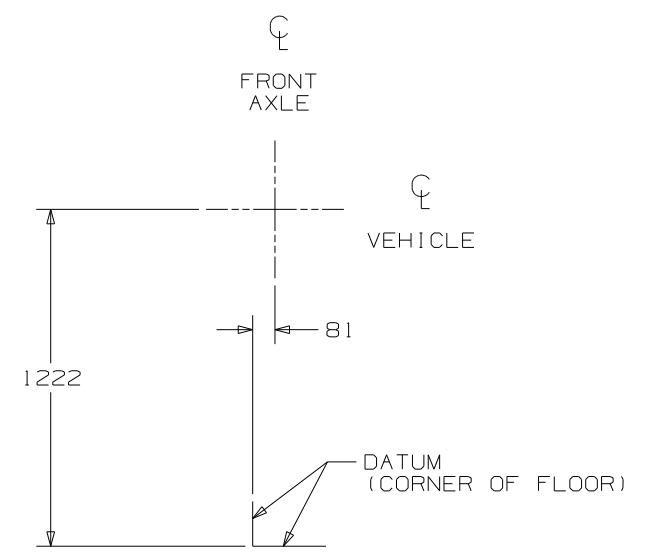


VIEW C

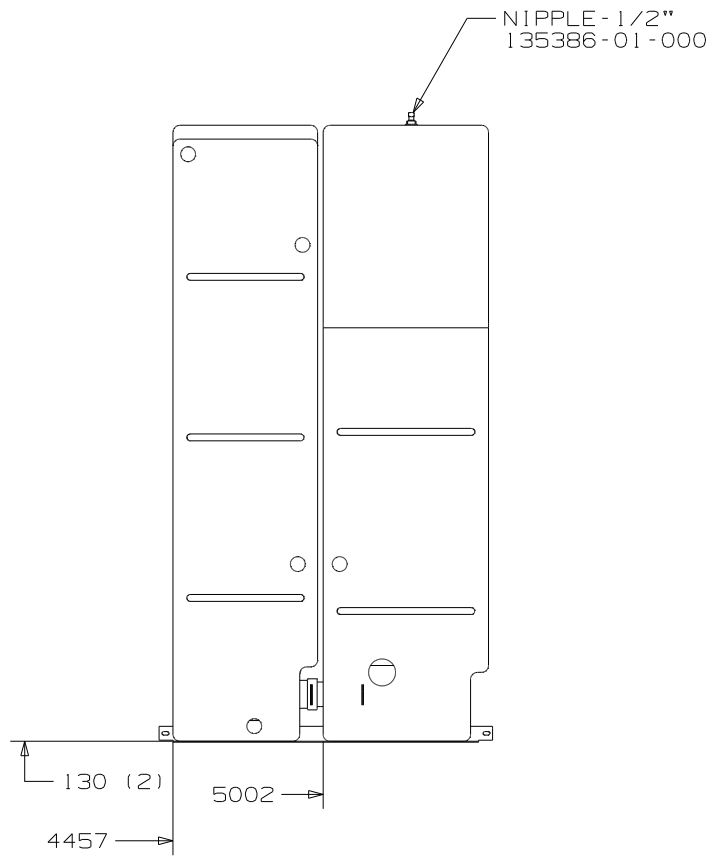
FIRST USED	09 M37G	
TITLE	DO NOT SCALE DRAWING	
	DRAINAGE SYSTEM INSTL	
SHEET 2	PART NO	REV
	167303	



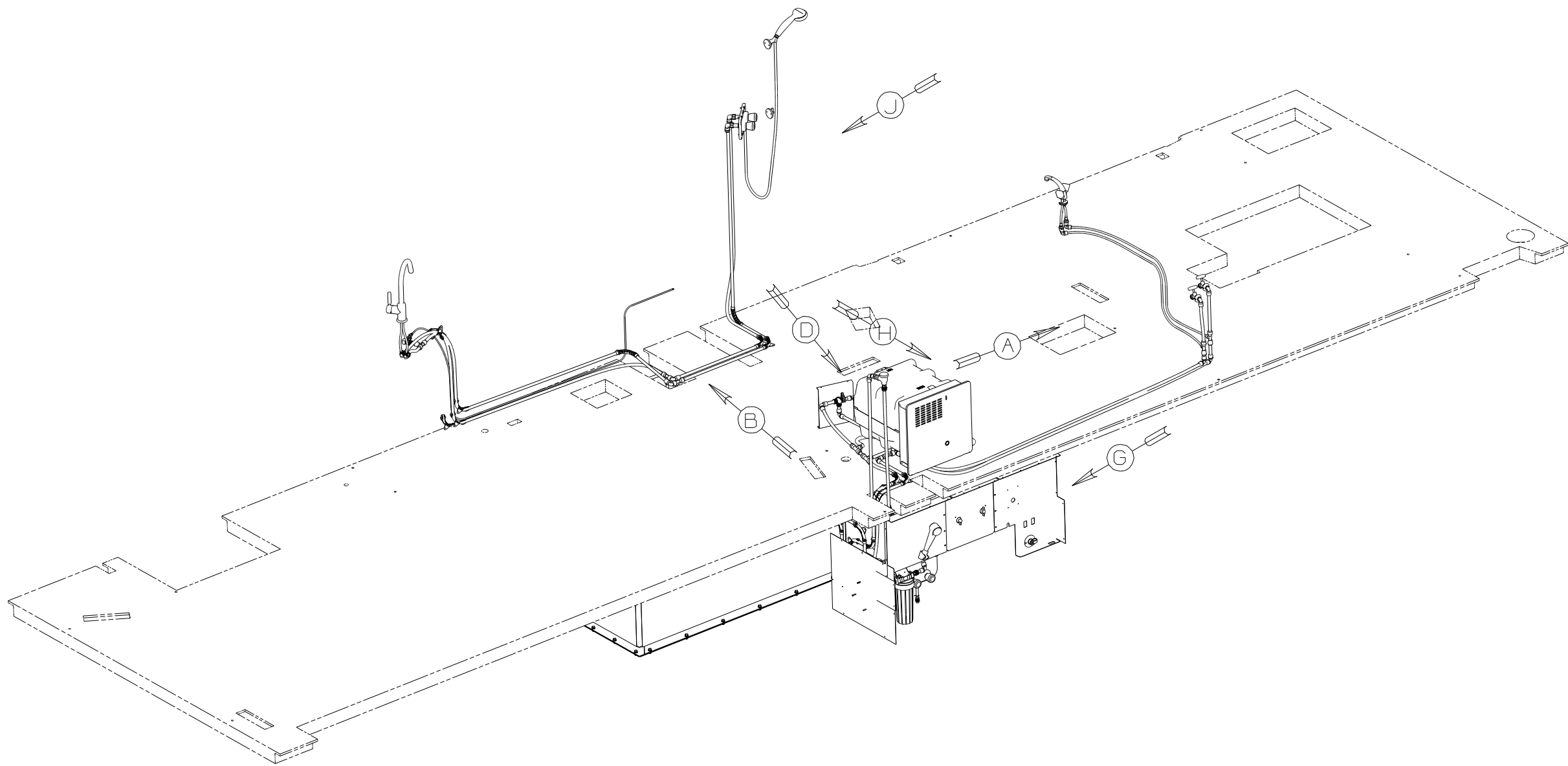
VIEW D



VIEW E



FIRST USED	09 M37G		
TITLE	DO NOT SCALE DRAWING DRAINAGE SYSTEM INSTL		
SHEET 3	PART NO	167303	REV



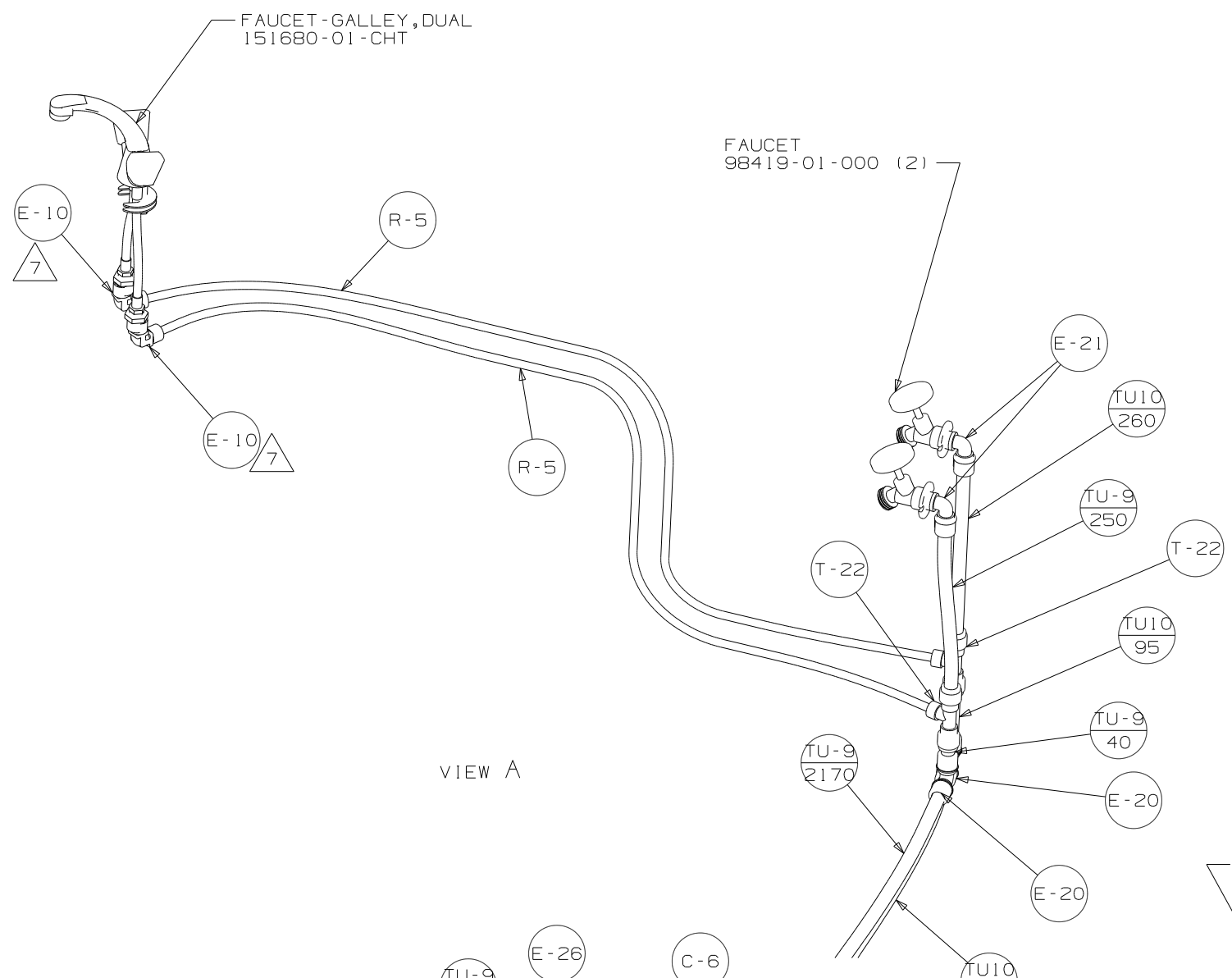
- (144) REFRIGERATOR-LG DBL DOOR
- (79W) REFRIGERATOR-4 DOOR W/ICEMAKER

- △7 ADD PIPE WRAP (LADDER SCRAP 110157-02-000) INSULATION.
 - △6 ADD TEFLON TAPE 10405-03-000.
 - △5 ADD TEFLON TAPE 10405-02-000.
 - △4 ADD TEFLON TAPE 10405-01-000.
3. ALL TUBING TO BE SECURED AT 1200 INTERVALS MAXIMUM WITH CLAMP 10495-01-000 AND SCREW G67-10-12B OR EQUIVALENT.
 2. TUBING TO BE INSTALLED WITH SUFFICIENT SLOPE TO PROVIDE DRAINAGE TO NEAREST VALVE.
 1. PLASTIC FITTINGS TO BE SEALED WITH SEALANT 84456-01-000.

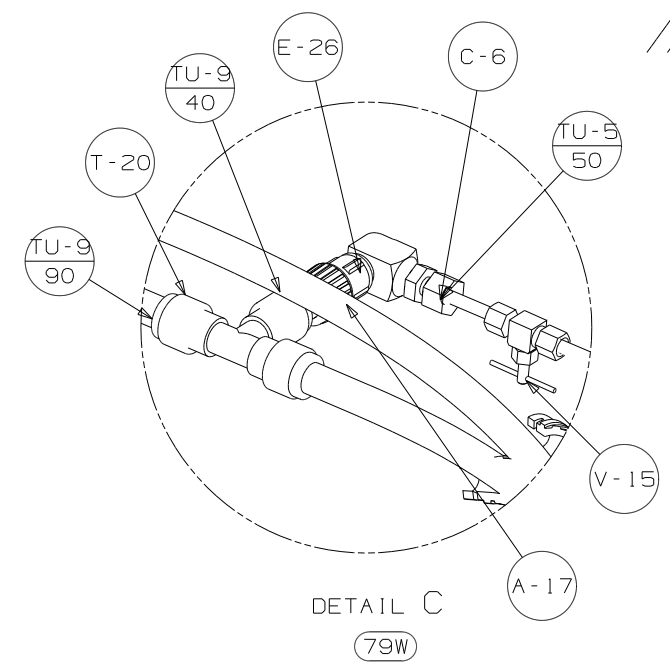
NOTES:

WINNEBAGO		COPYRIGHT 2008 WINNEBAGO INDUSTRIES, INC.	
DFT	ORIG. DATE	ALL DIMENSIONS ARE IN MILLIMETERS	
CHKR		FIRST USED	
P.E.		09 M37G	
M.E.		UNSPECIFIED TOLERANCES ARE:	
DSNR		MATERIAL:	
		WHOLE DIM (X)	: 3
		ONE-PLACE (X.X)	: 1.5
		TWO-PLACE (X.XX)	: 0.50
		ANGLE	: 1°
THIRD ANGLE PROJECTION		DO NOT SCALE DRAWING	
TITLE: WATER SYSTEM INSTL			
SHEET 1 OF 5	PART NO	167304	REV
REF:	1 7/17/2008		

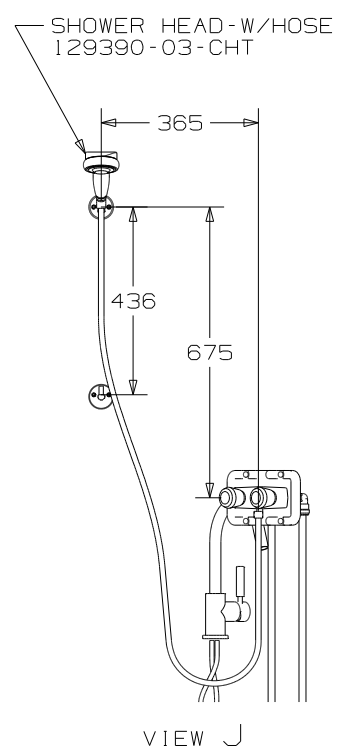
(X-X)
FOR
WATER
CALLOUTS
SEE DWG NO
116230-01-000



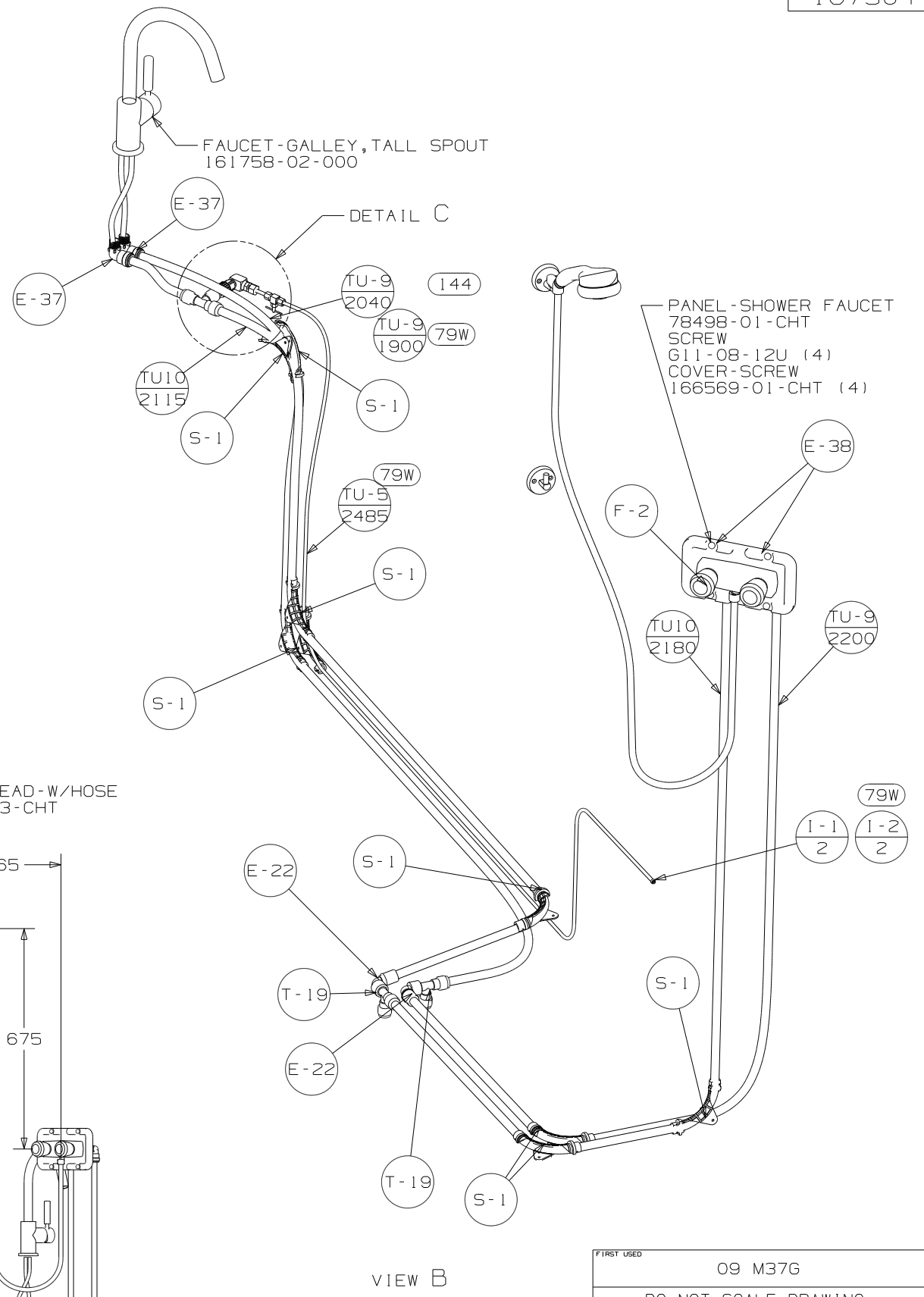
VIEW A



DETAIL C
(79W)



VIEW J



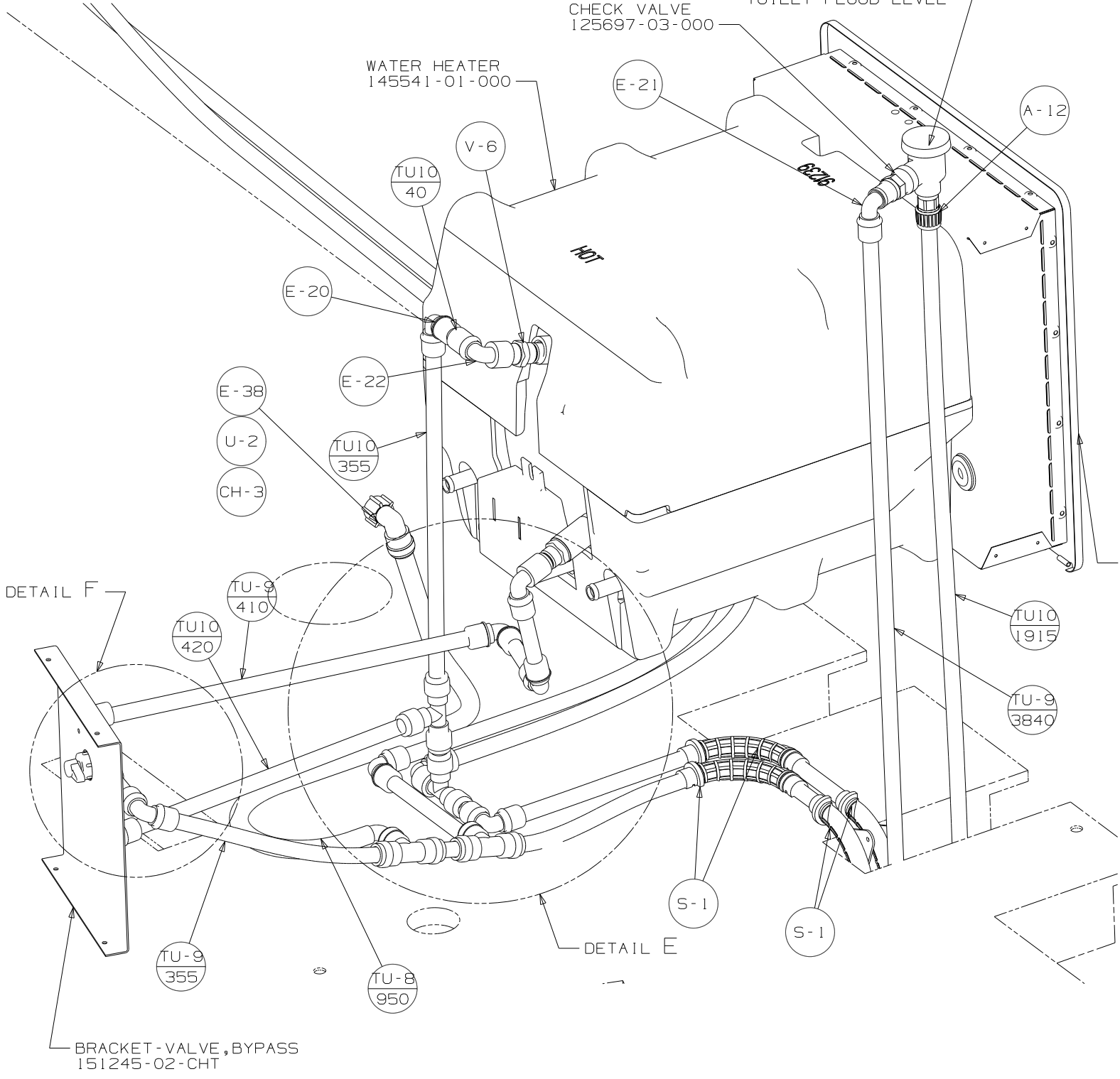
VIEW B

FIRST USED	09 M37G	
TITLE:	DO NOT SCALE DRAWING	
SHEET 2	PART NO	167304
	REV	1 7/17/2008

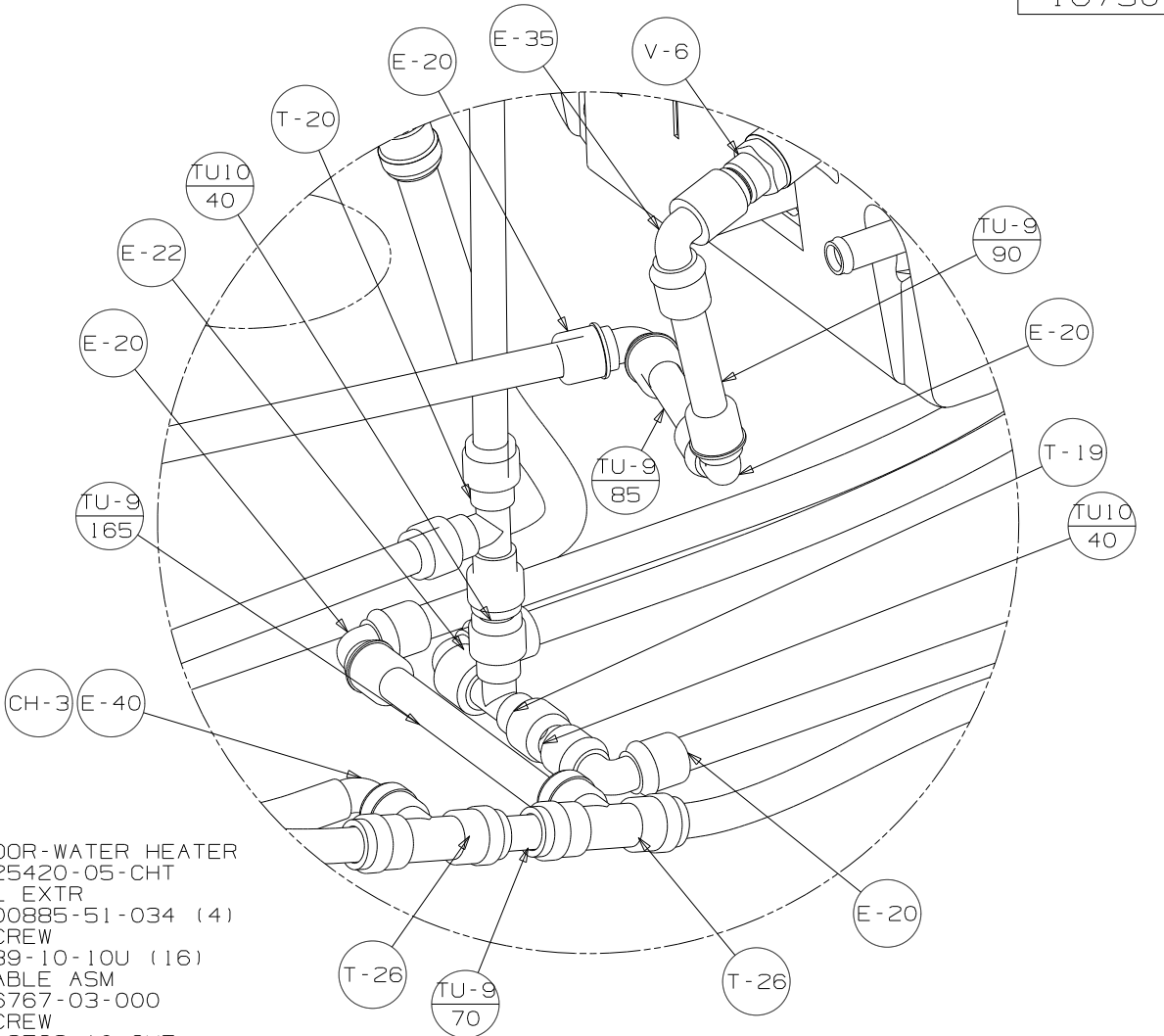
BREAKER-VACUUM
125697-04-000
MUST BE MOUNTED ABOVE
TOILET FLOOD LEVEL

CHECK VALVE
125697-03-000

WATER HEATER
145541-01-000



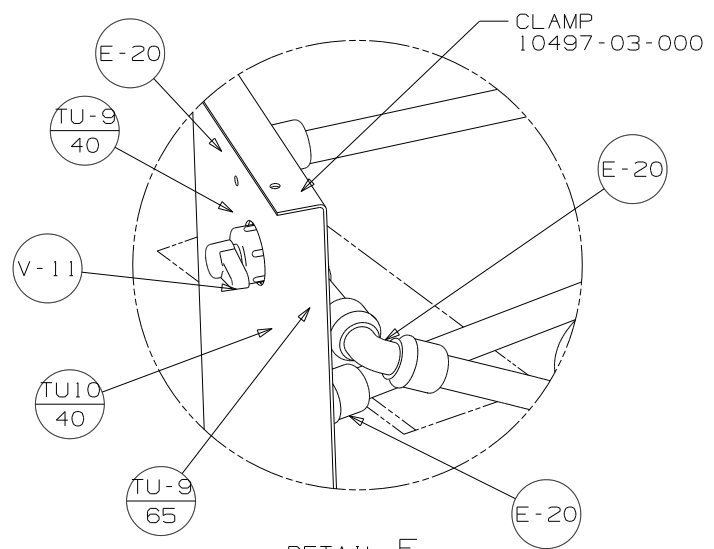
VIEW D



DETAIL E

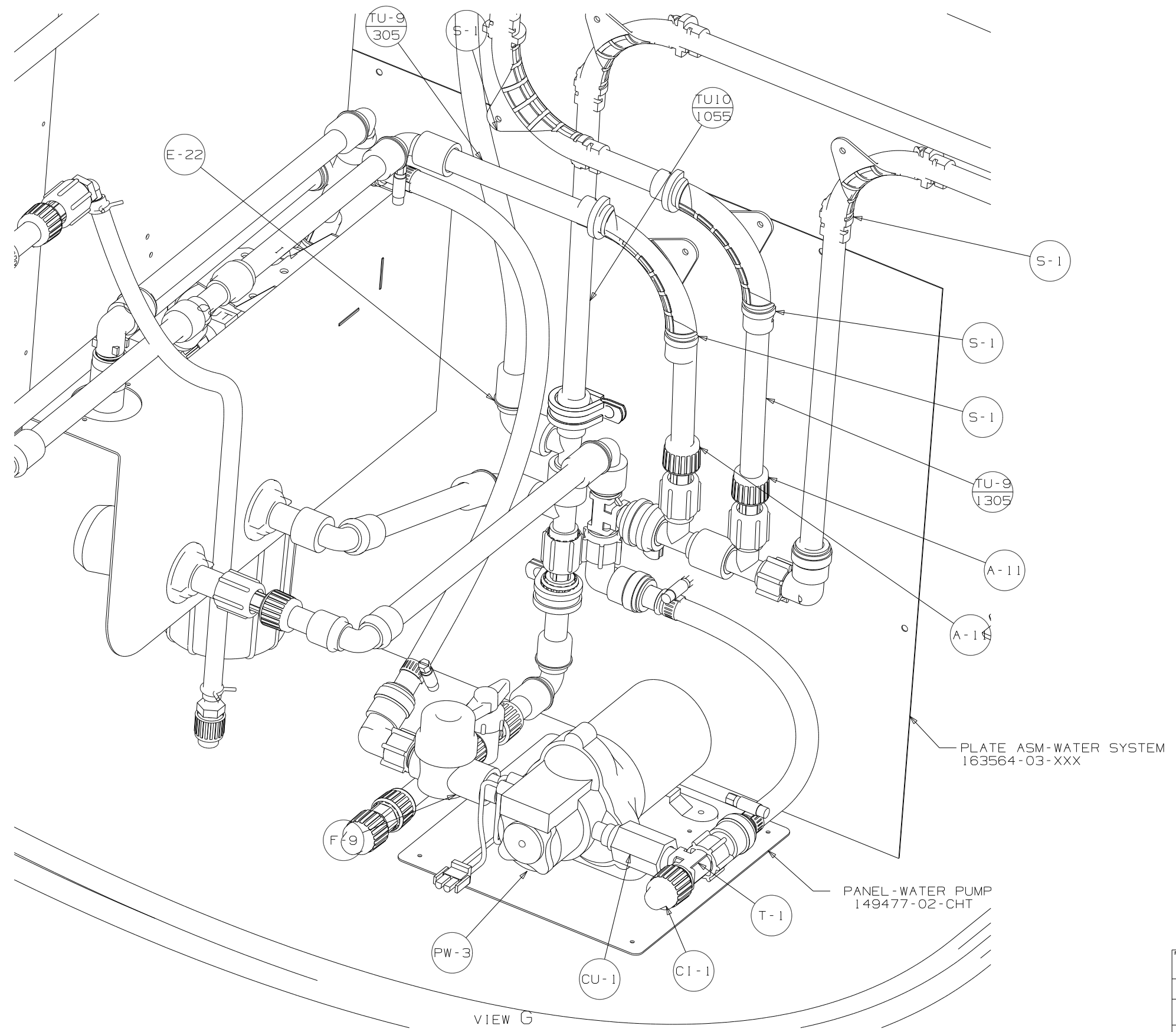
DOOR-WATER HEATER
125420-05-CHT
AL EXTR
100885-51-034 (4)
SCREW
G39-10-10U (16)
CABLE ASM
76767-03-000
SCREW
113563-10-CHT
SEALNT
69640-03-000

DETAIL F



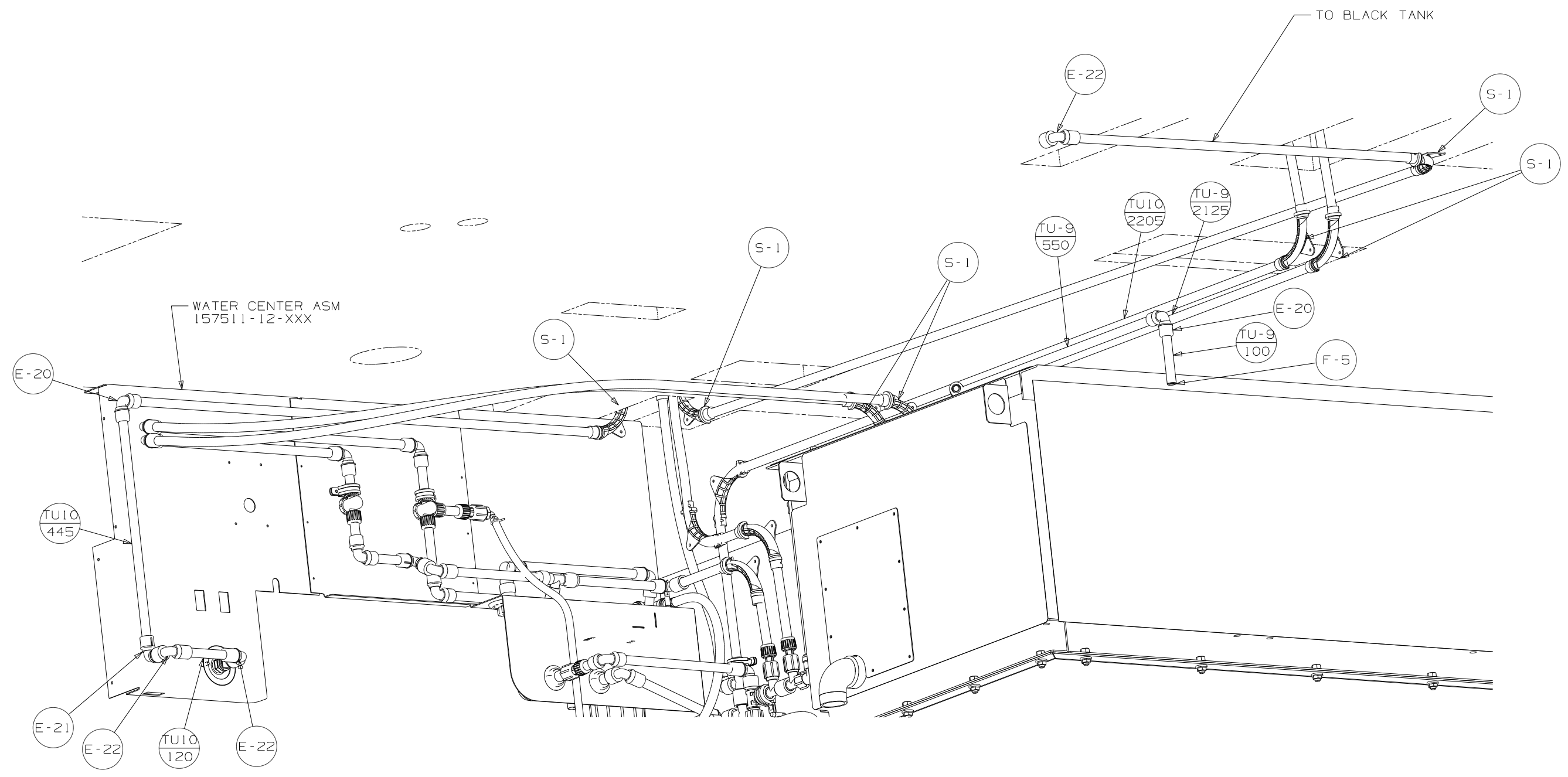
DETAIL F
(BRACKET REMOVED
TO SHOW FITTINGS)

FIRST USED	09 M37G
TITLE:	DO NOT SCALE DRAWING
SHEET 3	PART NO 167304
	REV



VIEW G

FIRST USED	09 M37G
DO NOT SCALE DRAWING	
TITLE	WATER SYSTEM INSTL
SHEET 4	PART NO 167304 REV



VIEW H

FIRST USED	09 M37G		
TITLE:	DO NOT SCALE DRAWING		
	WATER SYSTEM INSTL		
SHEET 5	PART NO	167304	REV