

FRONT  
OF  
COACH

- (WIN) WINNEBAGO ONLY
- (ITA) ITASCA ONLY
- (43E) TOILET PORCELAIN-ROUND
- (1B1) CODES/STANDARDS USA
- (265) CODES/STANDARDS-CSA/CMVSS
- (21M) WASHER/DRYER PREP
- (54E) WASHER/DRYER

6 VENT PIPE MUST PROJECT 51 MIN AND 64 MAX ABOVE ROOF FOR PROPER FIT AND FUNCTION.

- 5. SEAL AROUND SHOWER WITH SILICONE.
- 4. ALL EXTERIOR OPENINGS AROUND PIPE TO BE SEALED WITH 131264-03-000.
- 3. ALL PIPE AND FITTINGS TO BE ASSEMBLED WITH SOLVENT 4020-01-000.
- 2. SLOPE OF TRAP ARM MUST BE 6 PER 305 mm.
- 1. SLOPE OF HORIZONTAL PIPING TO BE MIN 3 PER 305 mm.

NOTES:

<b>WINNEBAGO</b>		COPYRIGHT 2007 WINNEBAGO INDUSTRIES, INC.	
D/FR	ORIG. DATE	ALL DIMENSIONS ARE IN MILLIMETERS	
CHKR		FIRST USED	
P.E.		08 G37B	
M.E.		UNSPECIFIED TOLERANCES ARE:	
DSNR		MATERIAL:	
		WHOLE DIM (X) :	7
		ONE-PLACE (X.X) :	
		TWO-PLACE (X.XX) :	
		ANGLE :	
THIRD ANGLE PROJECTION		DO NOT SCALE DRAWING	
TITLE: DRAINAGE SYSTEM INSTL			
SHEET 1 OF 3	PART NO	162860	REV
REF:	1 6/20/2007		

(X-X)  
FOR  
DRAINAGE  
CALLOUTS  
SEE DWG NO  
116229-01-000

SINK-SMC, DBL L/S BASIN  
110654-01-000 (US/CAN)  
STRAINER  
92303-01-000 (2)  
ANGLE  
140002-01-CHT (10)  
SCREW  
G67-01-08B (8)  
SEAL  
(A/R)

TOILET (43E)  
160815-01-CHT  
SCREW  
87721-01-000 (8)

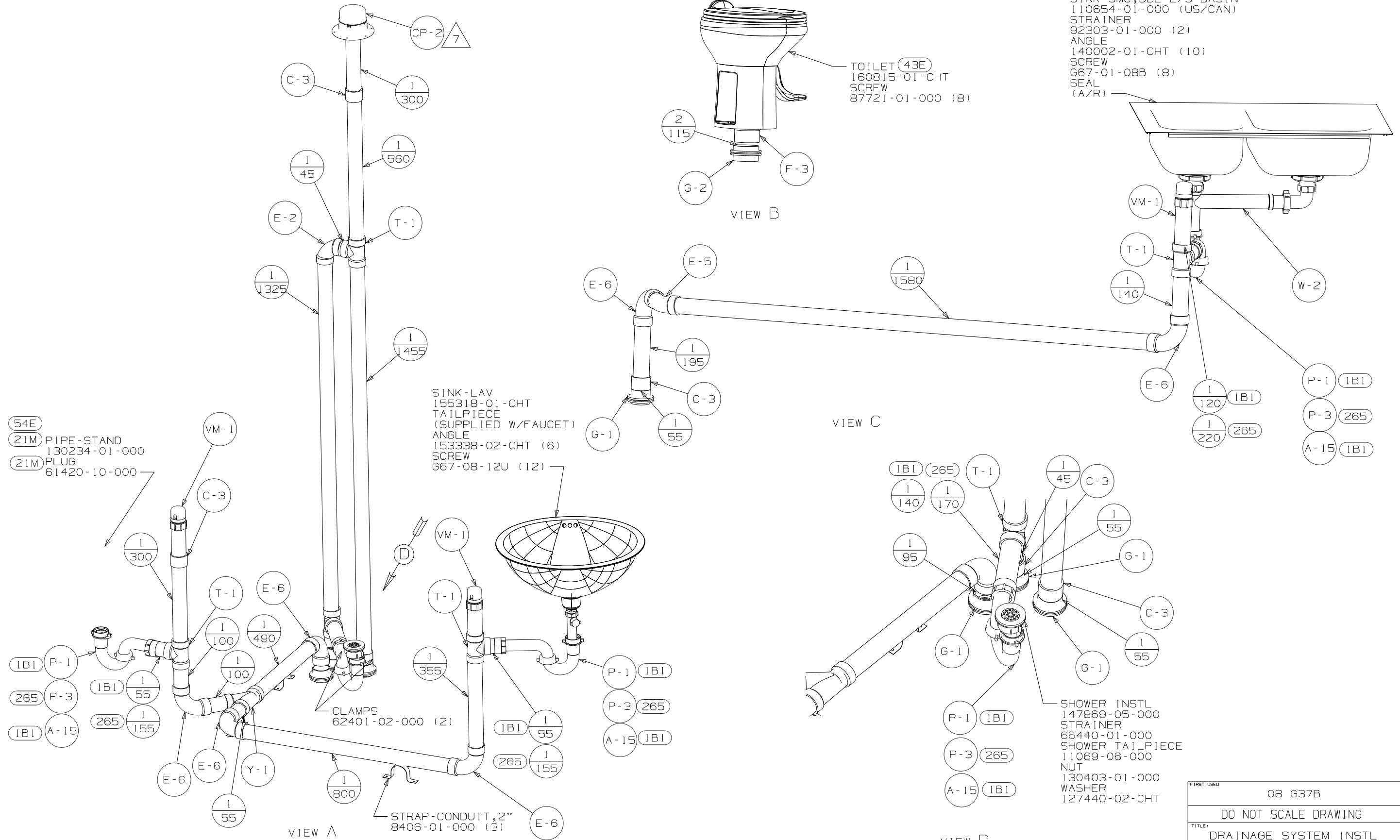
SINK-LAV  
155318-01-CHT  
TAILPIECE  
(SUPPLIED W/FAUCET)  
ANGLE  
153338-02-CHT (6)  
SCREW  
G67-08-12U (12)

SHOWER INSTL  
147869-05-000  
STRAINER  
66440-01-000  
SHOWER TAILPIECE  
11069-06-000  
NUT  
130403-01-000  
WASHER  
127440-02-CHT

(54E)  
(21M) PIPE-STAND  
130234-01-000  
(21M) PLUG  
61420-10-000

CLAMPS  
62401-02-000 (2)

STRAP-CONDUIT, 2"  
8406-01-000 (3)



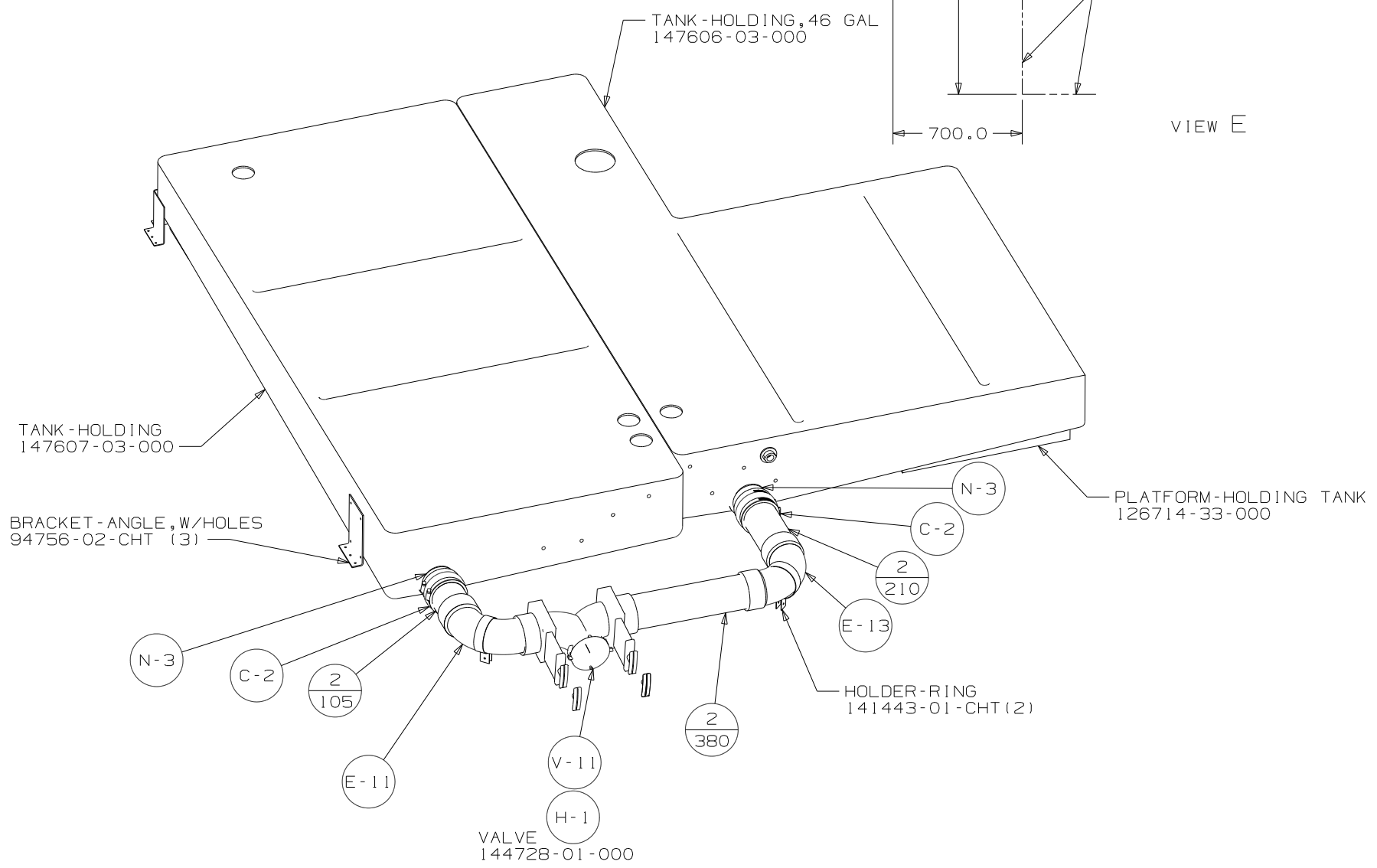
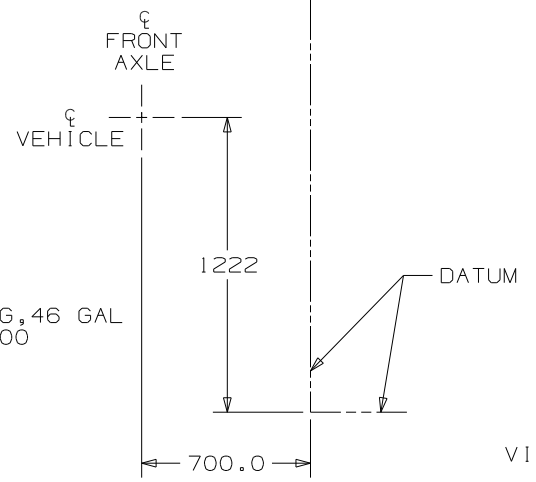
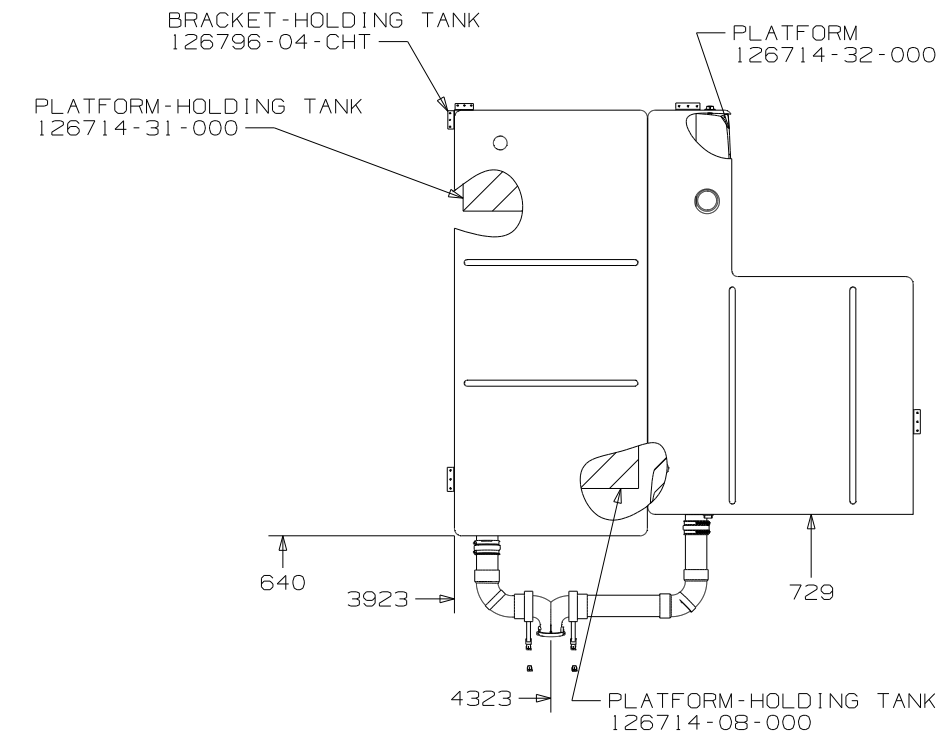
VIEW B

VIEW C

VIEW A

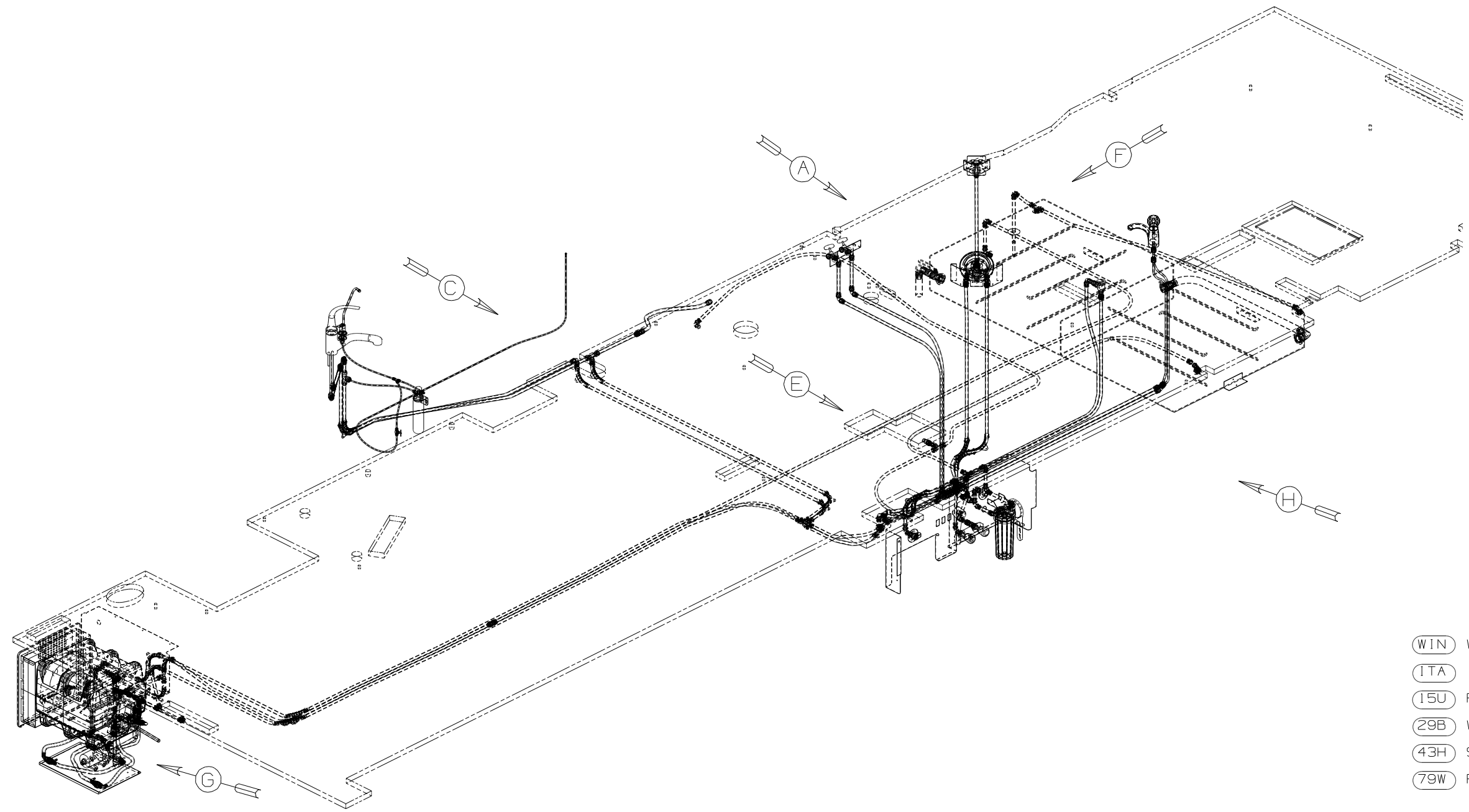
VIEW D

FIRST USED	08 G37B	
TITLE	DO NOT SCALE DRAWING	
	DRAINAGE SYSTEM INSTL	
SHEET 2	PART NO	162860
	REV	1 6/20/2007



VIEW F

FIRST USED	08 G37B		
TITLE	DO NOT SCALE DRAWING		
	DRAINAGE SYSTEM INSTL		
SHEET 3	PART NO	162860	REV



- (WIN) WINNEBAGO ONLY
- (ITA) ITASCA ONLY
- (15U) REFRIGERATOR/FRZR W/ICEMAKER
- (29B) WATER PURIFIER
- (43H) SHOWER HEAD-HAND HELD
- (79W) REFRIGERATOR 4-DOOR

- △7 ADD PIPE WRAP INSULATION (LADDER SCRAP 110157-02-000)
  - △6 ADD TEFLON TAPE 10405-01-000.
  - △5 ADD TEFLON TAPE 10405-02-000.
  - △4 USED IN PLACE OF SUPPLIED SCREWS TO ATTACH BRACKET TO WALL.
3. ALL TUBING TO BE SECURED AT 1200 INTERVALS MAXIMUM WITH CLAMP 10495-01-000 OR EQUIVALENT AND SCREW G67-10-12B.
  2. TUBING TO BE INSTALLED WITH SUFFICIENT SLOPE TO PROVIDE DRAINAGE TO NEAREST VALVE.
  1. PLASTIC FITTINGS TO BE SEALED WITH SEALANT 84456-01-000.
- NOTES:

(X-X)  
FOR  
WATER  
CALLOUTS  
SEE DWG NO  
116230-01-000

<b>WINNEBAGO</b>		COPYRIGHT 2007 WINNEBAGO INDUSTRIES, INC.	
D/FR	ORIG. DATE	ALL DIMENSIONS ARE IN MILLIMETERS	
CHKR		FIRST USED	
P.E.		08 G37B	
M.E.		UNSPECIFIED TOLERANCES ARE:	
DSNR		MATERIAL:	
		WHOLE DIM (X) :	7
		ONE-PLACE (X.X) :	∅
		TWO-PLACE (X.XX) :	∅
		ANGLE :	∅
		THIRD ANGLE PROJECTION	∅
DO NOT SCALE DRAWING			
TITLE: WATER SYSTEM INSTL			
SHEET 1 OF 4	PART NO	162859	REV

FAUCET-LAV, SGL CTRL  
152311-02-CHT  
SPACER  
105218-01-CHT

CHECK VALVE  
125697-03-000

BREAKER-VACUUM  
125697-04-000  
MUST BE MOUNTED ABOVE  
TOILET FLOOD LEVEL

BRACKET ASM  
131551-01-CHT

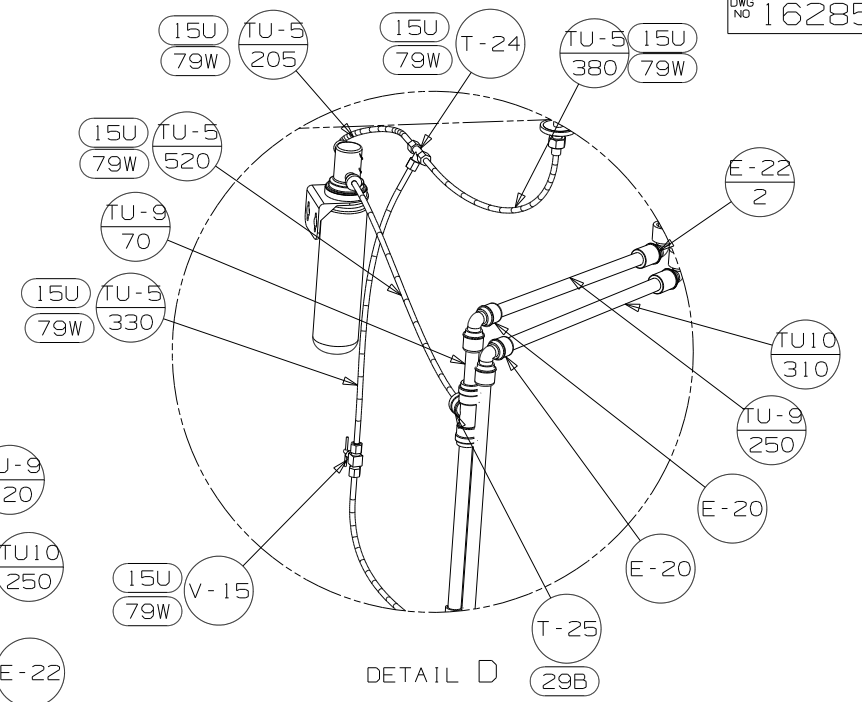
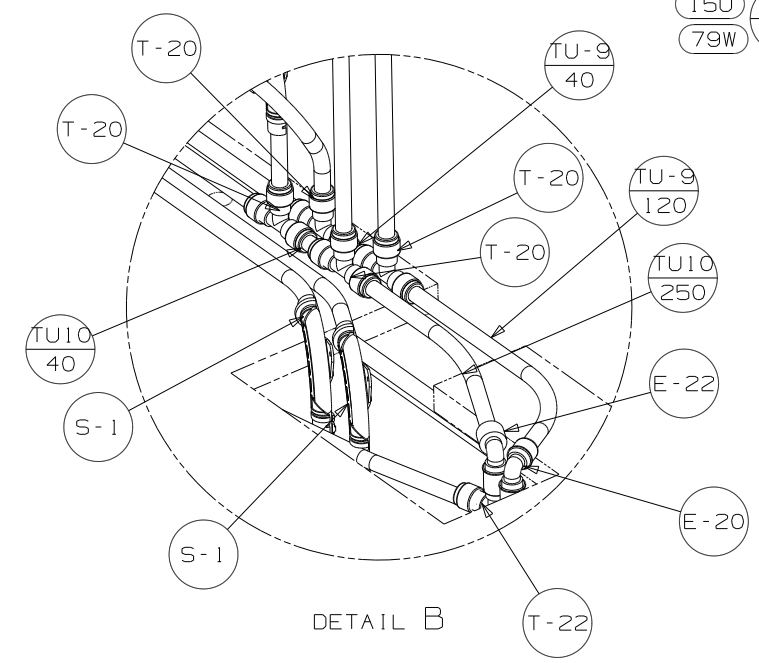
BRACKET-SHOWER  
131554-01-CHT

BRACKET  
134472-01-CHT

FAUCET  
98419-01-000 (2)

DETAIL B

VIEW A

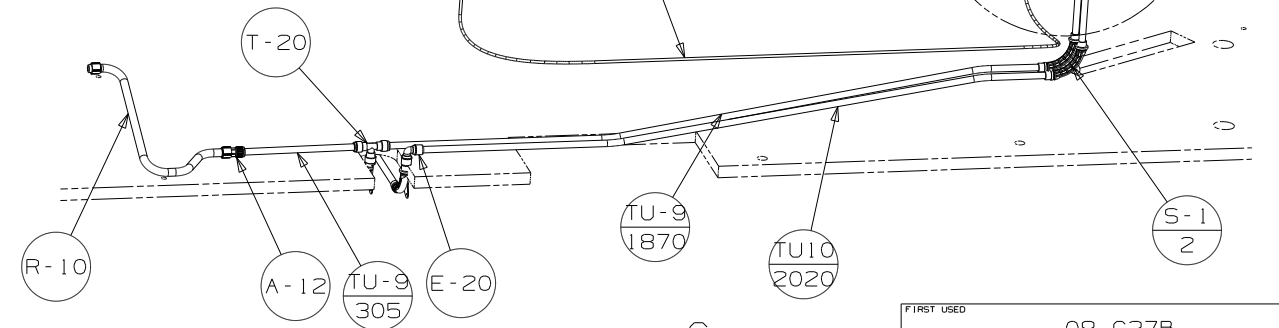
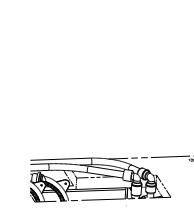


DETAIL D

FAUCET 29B  
103635-01-000

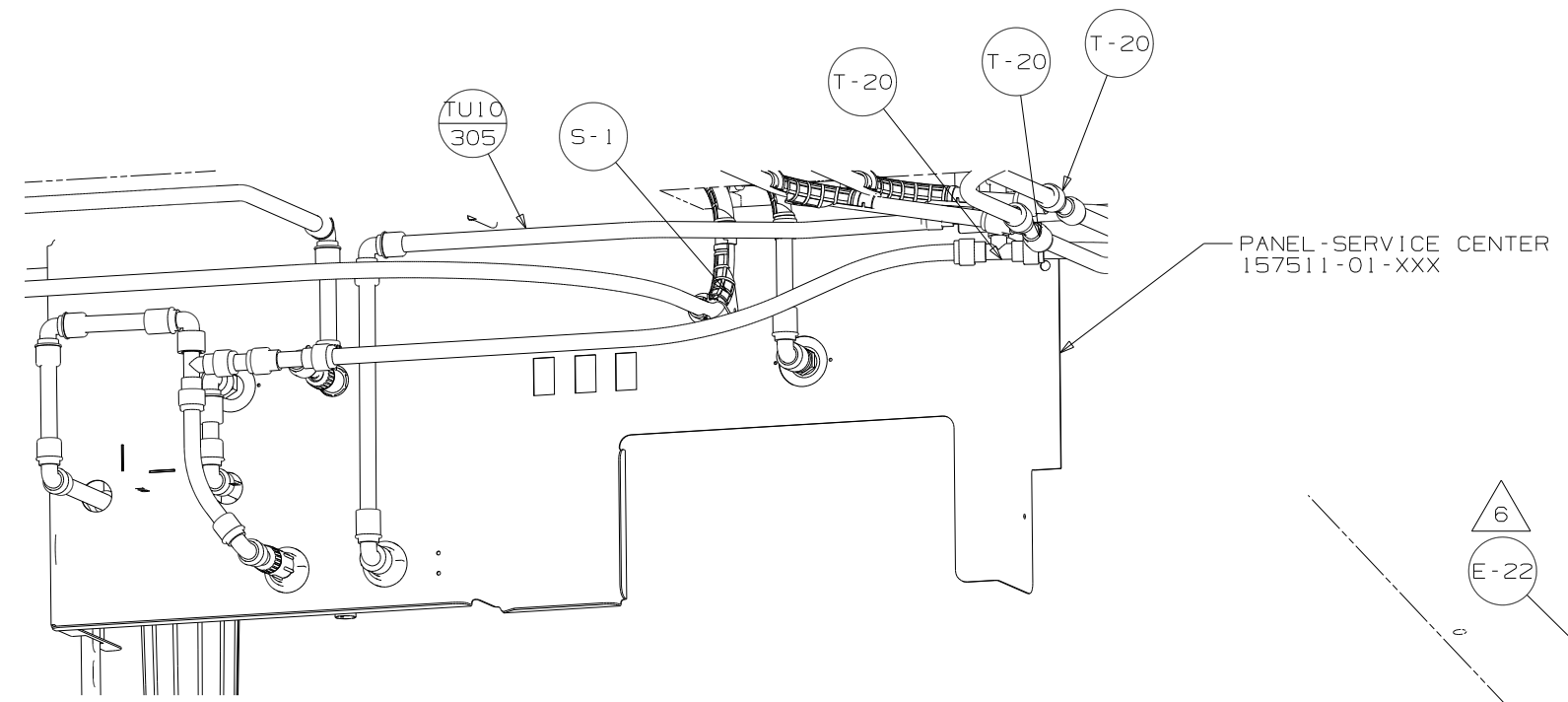
FAUCET-GALLEY  
123744-03-CHT

FILTER-KIT  
160946-01-000  
SCREW  
G67-10-12U (2)

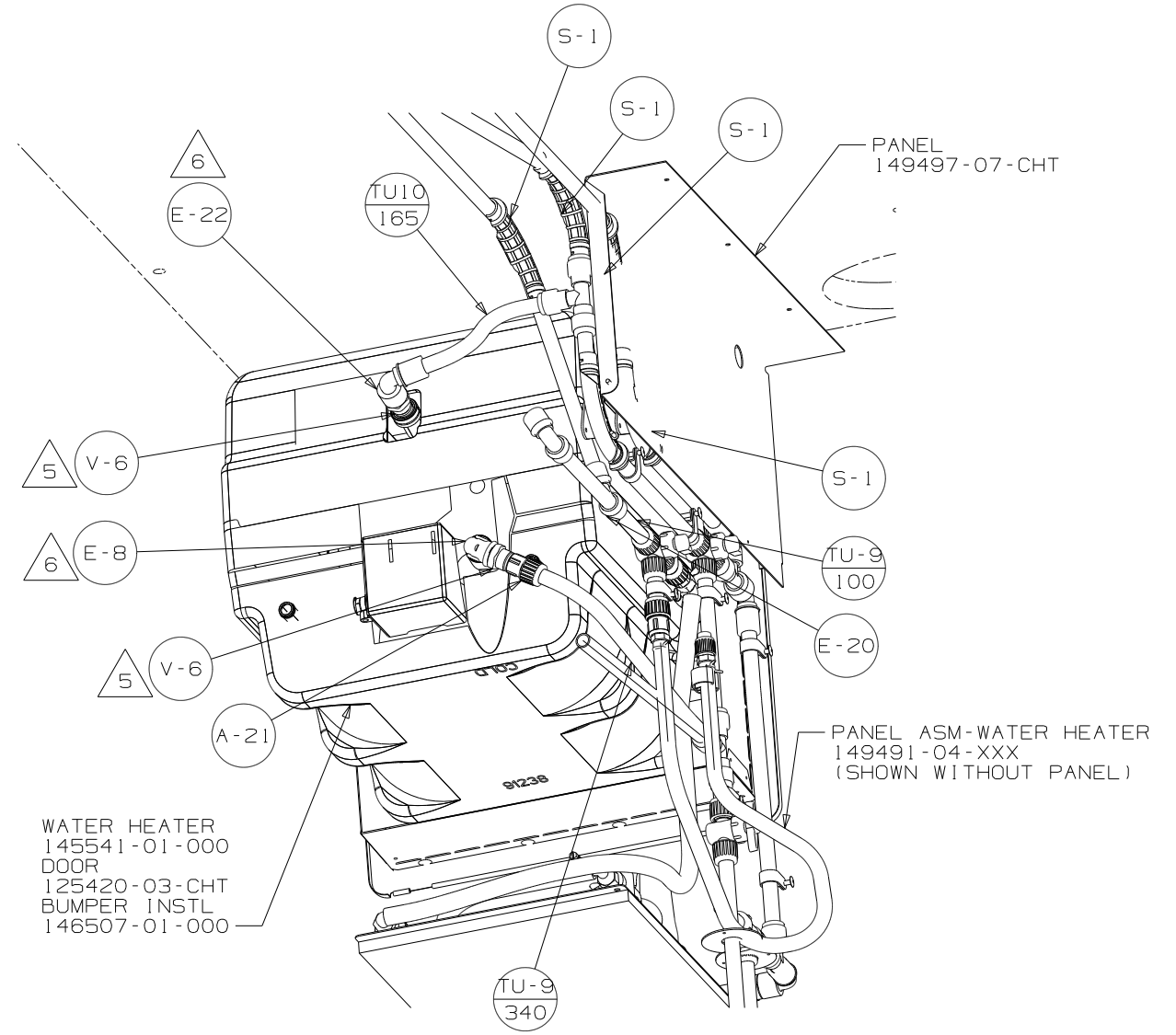


VIEW C

FIRST USED	08 G37B	
TITLE:	DO NOT SCALE DRAWING	
	WATER SYSTEM INSTL	
SHEET 2	PART NO	162859
	REV	
	1 8/8/2007	



VIEW E

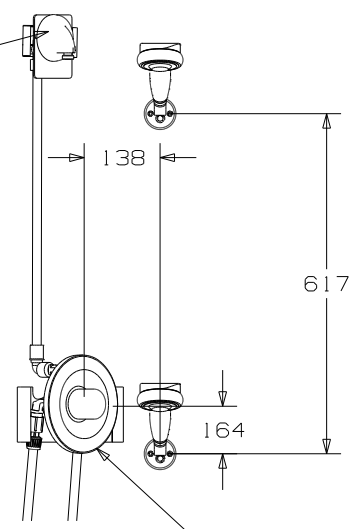


VIEW G

- 4 DROP ELL 135028-02-CHT
- VALVE 128974-01-CHT
- SHOWER HEAD-W/HOSE 129390-03-CHT
- SCREW G12-10-16F (4)
- SPACER 130041-03-CHT

4

N-1

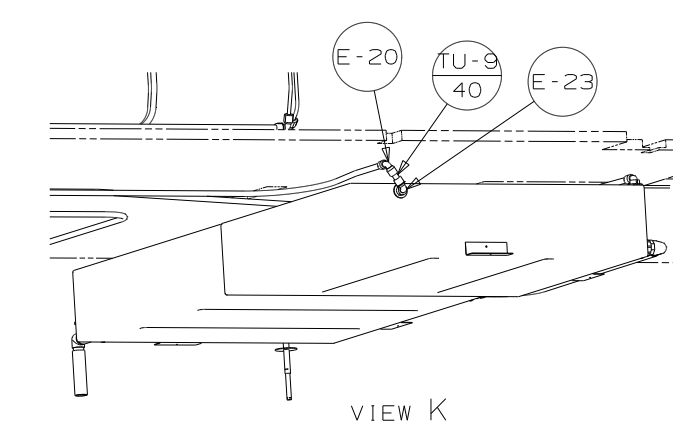
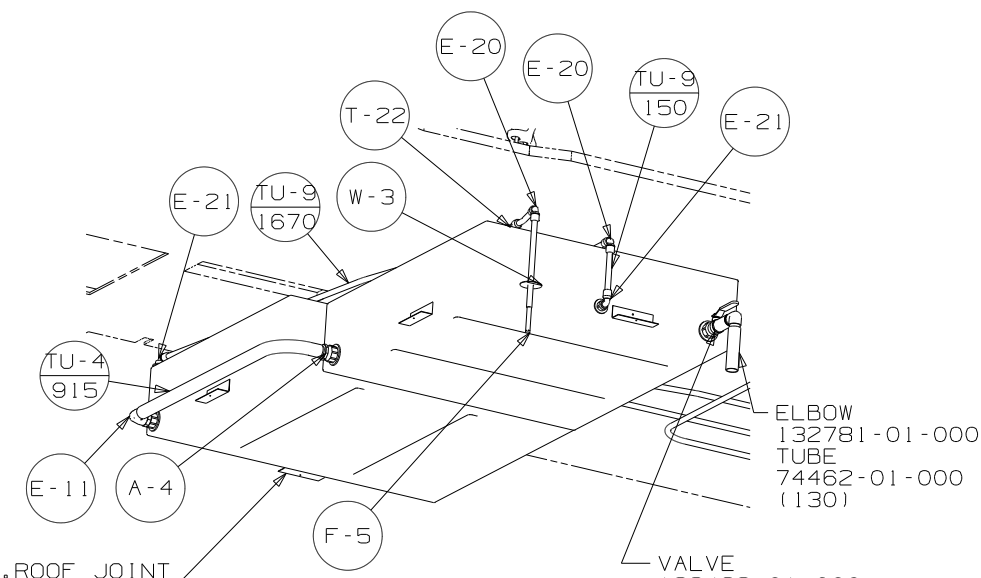
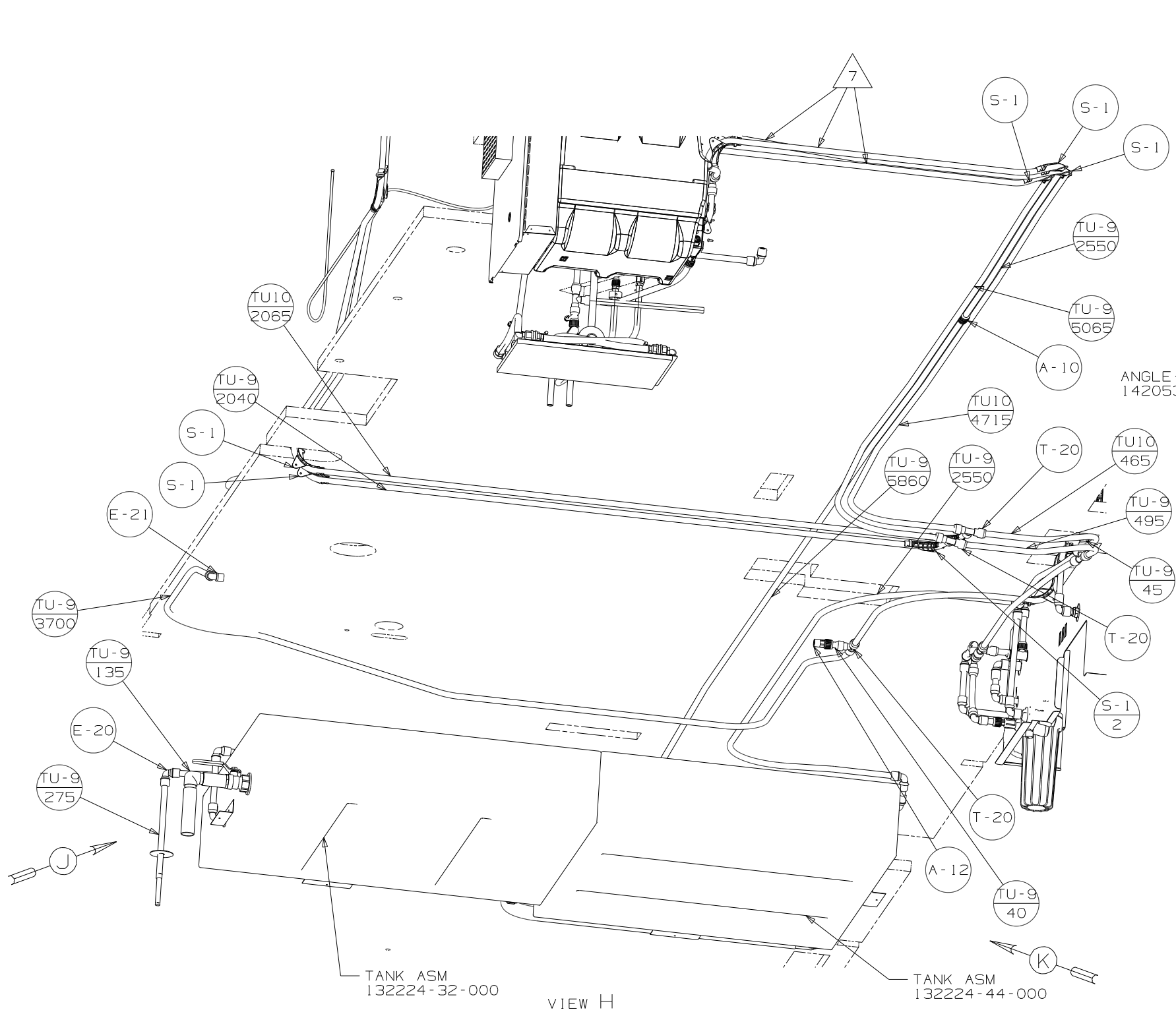


VIEW F

43H

- FAUCET-SHOWER 144596-01-CHT (PL-3)
- 144596-02-CHT

FIRST USED	08 G37B		
TITLE	DO NOT SCALE DRAWING		
SHEET 3	PART NO	162859	REV
			1 8/8/2007



FIRST USED	08 G37B		
TITLE:	DO NOT SCALE DRAWING		
	WATER SYSTEM INSTL		
SHEET 4	PART NO	162859	REV
			1 8/8/2007