

- FRONT OF COACH
- 11 CLAMP 92401-09-000- SCREW HEAD IS TO FACE LEFT SIDE OF COACH TO BE ADJUSTABLE FROM WATER-HEATER AREA.
 - 10 CLAMPS 92401-09-000 TO BE ADJUSTABLE FROM BELOW FLOOR THRU ACCESS PANEL.
 - 9 SECURE PIPES TO FLOOR USING BRACKET 136878-01-CHT (3) CLAMP 62401-02-000 (3) AND SCREW G67-10-12B (3).
 8. SECURE PIPES TO CABINET USING WIRE TIE 108046-02-000 AND SCREW G67-10-12U (8).
 7. SEE DWG 61607-01-000 FOR INSTL OF GROMMET.
 - 6 VENT PIPE MUST PROJECT 51 MIN AND 64 MAX ABOVE ROOF FOR PROPER FIT AND FUNCTION.
 5. SEAL AROUND SHOWER WITH SILICONE.
 4. ALL EXTERIOR OPENINGS AROUND PIPE TO BE SEALED WITH 110744-01-000.
 3. ALL PIPE AND FITTINGS TO BE ASSEMBLED WITH SOLVENT 4020-01-000 (US) 4020-02 (CAN).
 2. SLOPE OF TRAP ARM MUST BE 6 PER 305 mm.
 1. SLOPE OF HORIZONTAL PIPING TO BE MIN 3 PER 305 mm.

- (21M) WASHER/DRYER PREP
- (54E) WASHER/DRYER
- (1B1) CODES/STANDARDS USA
- (265) CODES/STDS-CSA/CMVSS
- (44X) BED-QUEEN SIDEWALL
- (23C) BED-KING SIDEWALL

- (49M) SLEEP NUMBER BED-QUEEN SIZE
- (49N) SLEEP NUMBER BED-KING SIZE

(X-X)
FOR DRAINAGE CALLOUTS SEE DWG NO 116229-01-000

WINNEBAGO		COPYRIGHT 2007 WINNEBAGO INDUSTRIES, INC.	
DFT	ORIG. DATE	ALL DIMENSIONS ARE IN MILLIMETERS	
CHKR		FIRST USED	
P.E.		08 G35L	
M.E.			
DSNR			
UNSPECIFIED TOLERANCES ARE:		MATERIAL:	
WHOLE DIM (X)	: 5		
ONE-PLACE (X.X)	:		
TWO-PLACE (X.XX)	:		
ANGLE	:		
THIRD ANGLE PROJECTION			
DO NOT SCALE DRAWING			
TITLE: DRAINAGE SYSTEM INSTL			
SHEET 1 OF 3	PART NO	162539	REV
REF:	1 11/29/2007		

NOTES:

SINK-SST
 110654-01-CHT
 STRAINER
 92303-01-000 (2)
 ANGLE
 140002-01-CHT (8)
 SCREW
 142261-02-CHT (8)
 SEAL (A/R)

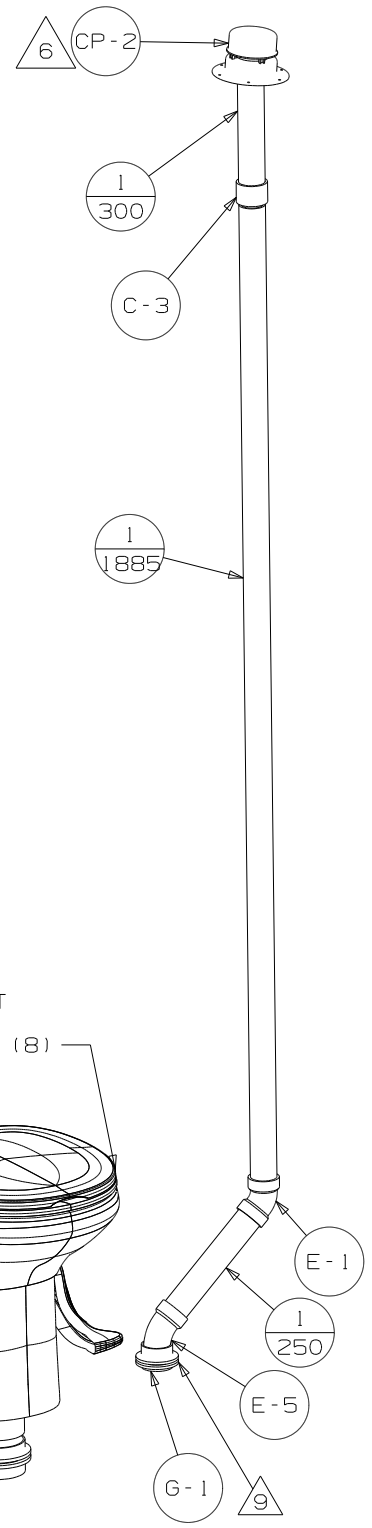
SINK
 155318-01-CHT
 SCREW
 G67-08-10U (20)
 SEAL (A/R)
 TAILPIECE
 SUPPLIED W/FAUCET

SHOWER INSTL
 147869-11-000
 STRAINER
 66440-01-000
 RUBBER WASHER
 127440-02-CHT
 TAILPIECE
 11069-06-000
 NUT
 130403-01-000

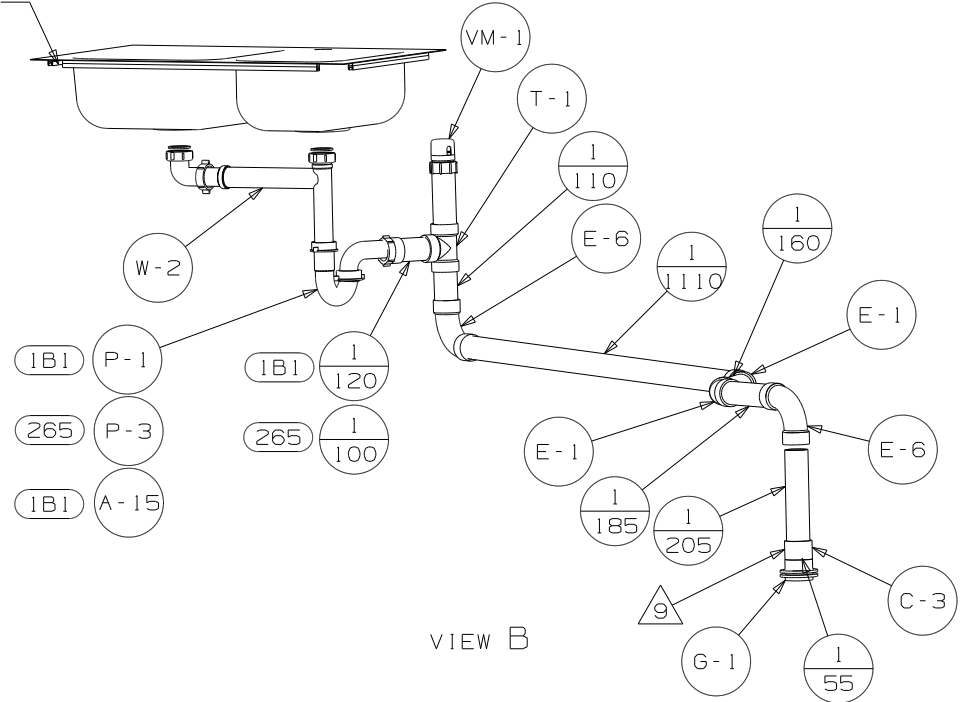
PIPE-STAND
 30234-01-000
 PLUG-PLASTIC
 61420-12-000

STRAP-CONDUIT, 2"
 8406-01-000 (2)

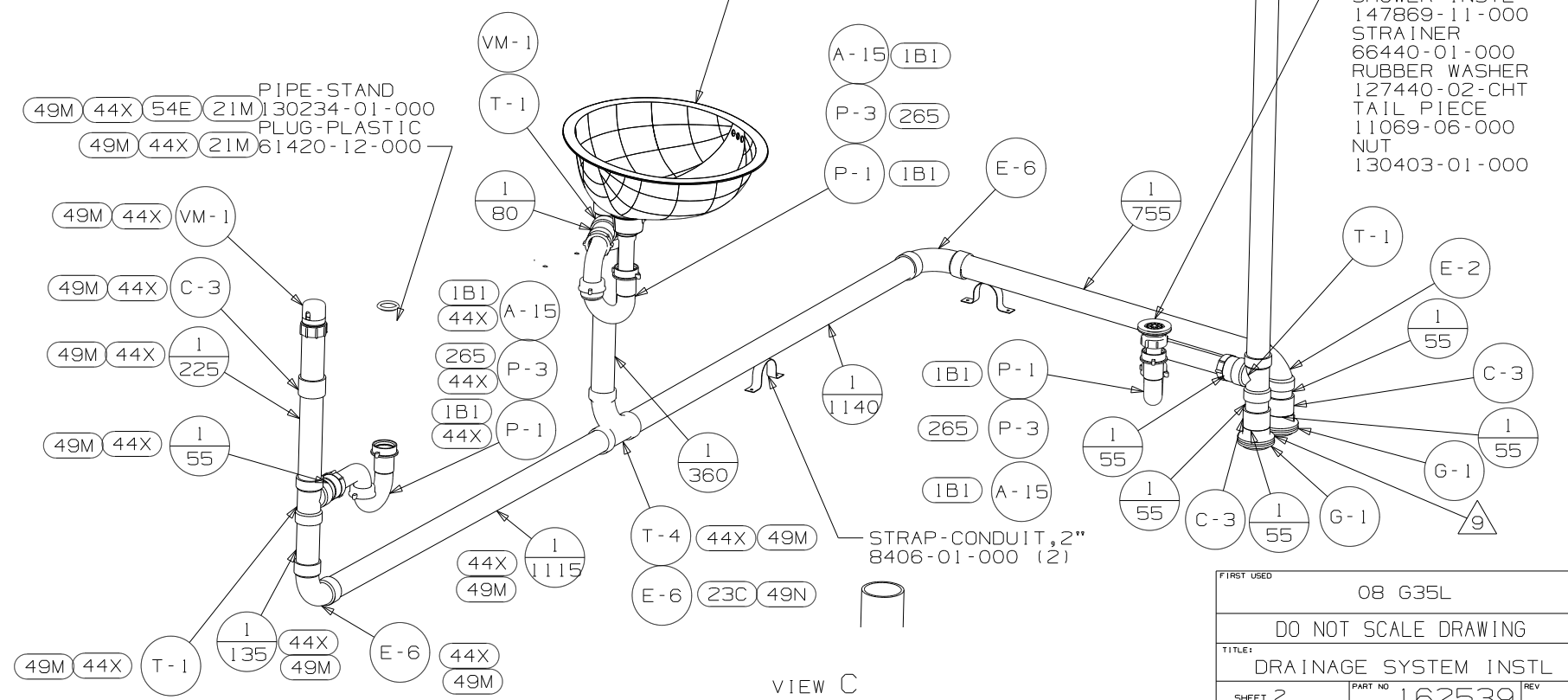
TOILET
 160815-01-CHT
 SCREW
 87721-01-000 (8)



VIEW A

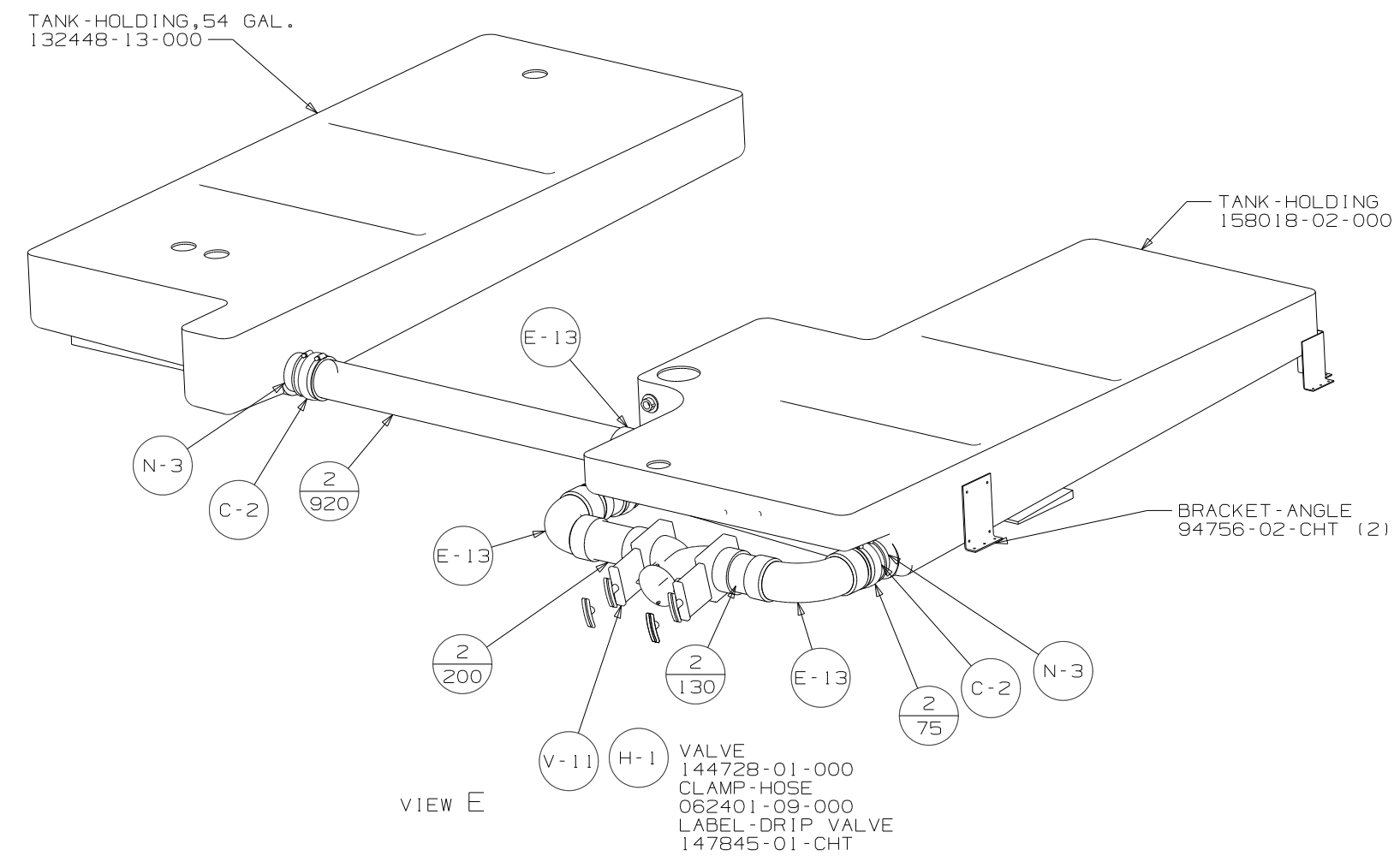
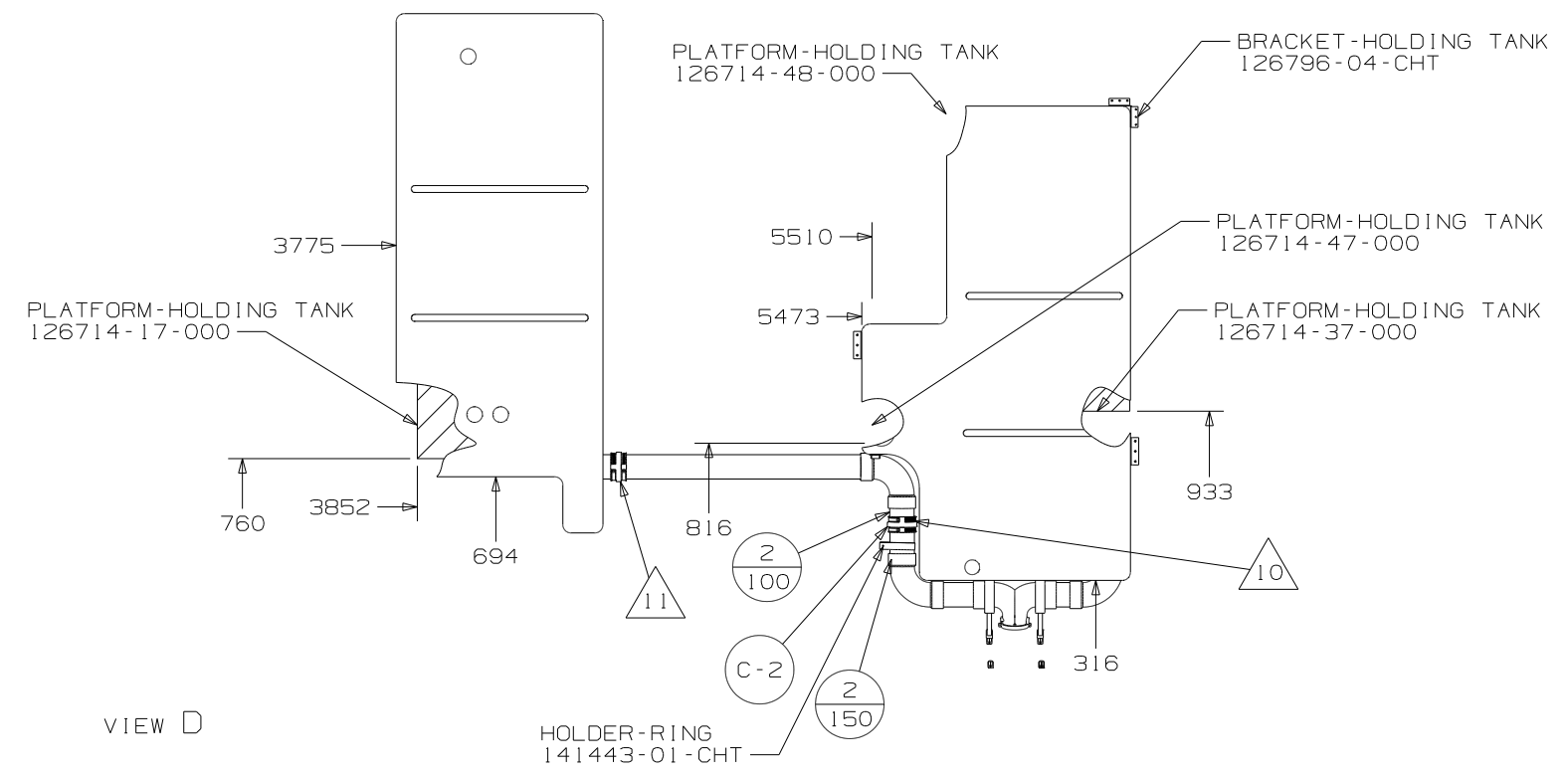
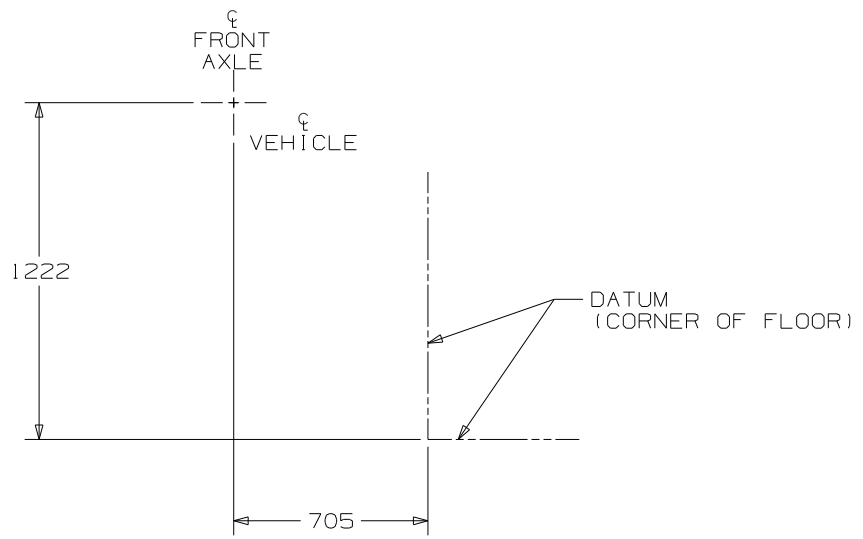


VIEW B



VIEW C

FIRST USED	08 G35L	
TITLE	DO NOT SCALE DRAWING	
	DRAINAGE SYSTEM INSTL	
SHEET 2	PART NO	162539
	REV	



VALVE 144728-01-000
CLAMP-HOSE 062401-09-000
LABEL-DRIP VALVE 147845-01-CHT

FIRST USED	08 G35L	
TITLE	DO NOT SCALE DRAWING	
SHEET 3	PART NO 162539	REV

8 7 6 5 4 3 2 1

DWG NO
162538-01
162538-02

(WIN)
(ITA)

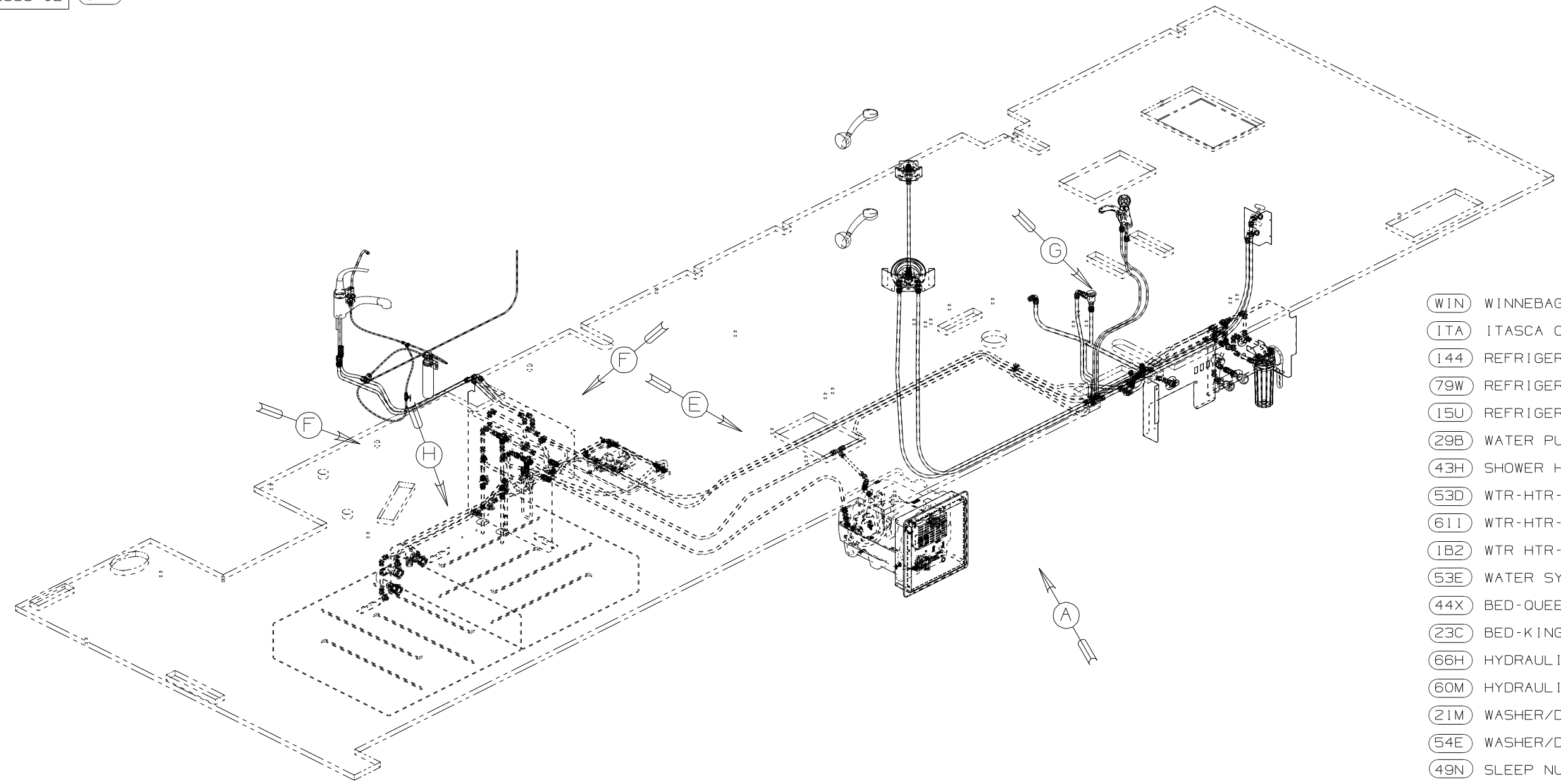
RELEASE DATE
REV A
DWG NO 162538
REV ZONE REVISION RECORD DATE DFR-0R16

D

C

B

A



- (WIN) WINNEBAGO ONLY
- (ITA) ITASCA ONLY
- (144) REFRIGERATOR-DOUBLE DOOR
- (79W) REFRIGERATOR 4-DOOR
- (15U) REFRIGERATOR/FRZR W/ICEMAKER
- (29B) WATER PURIFIER
- (43H) SHOWER HEAD-HAND HELD
- (53D) WTR-HTR-6/ELE/LP/MA
- (611) WTR-HTR-AUX AUTO MA
- (1B2) WTR HTR-10GAL/E,EC/LP/MTRAIID
- (53E) WATER SYS WINTERIZATION PKG
- (44X) BED-QUEEN SIDEWALL
- (23C) BED-KING OFF SIDEWALL
- (66H) HYDRAULIC LEVEL JACKS-AUTO
- (60M) HYDRAULIC LEVEL JACKS
- (21M) WASHER/DRYER PREP
- (54E) WASHER/DRYER
- (49N) SLEEP NUMBER BED-KING SIZE
- (49M) SLEEP NUMBER BED-QUEEN SIZE

- △ 7 ADD TEFLON TAPE 10405-03-000.
 - △ 6 ADD TEFLON TAPE 10405-01-000.
 - △ 5 ADD TEFLON TAPE 10405-02-000.
 - △ 4 USED IN PLACE OF SUPPLIED SCREWS TO ATTACH BRACKET TO WALL.
3. ALL TUBING TO BE SECURED AT 1200 INTERVALS MAXIMUM WITH CLAMP 10495-01-000 AND SCREW G67-10-12B OR EQUIVALENT.
 2. TUBING TO BE INSTALLED WITH SUFFICIENT SLOPE TO PROVIDE DRAINAGE TO NEAREST VALVE.
 1. PLASTIC FITTINGS TO BE SEALED WITH SEALANT 84456-01-000.

NOTES:

(X-X)
FOR WATER CALLOUTS SEE DWG NO 116230-01-000

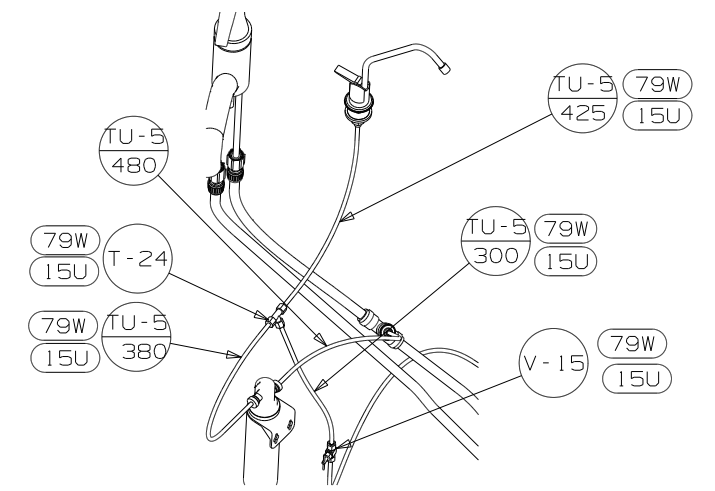
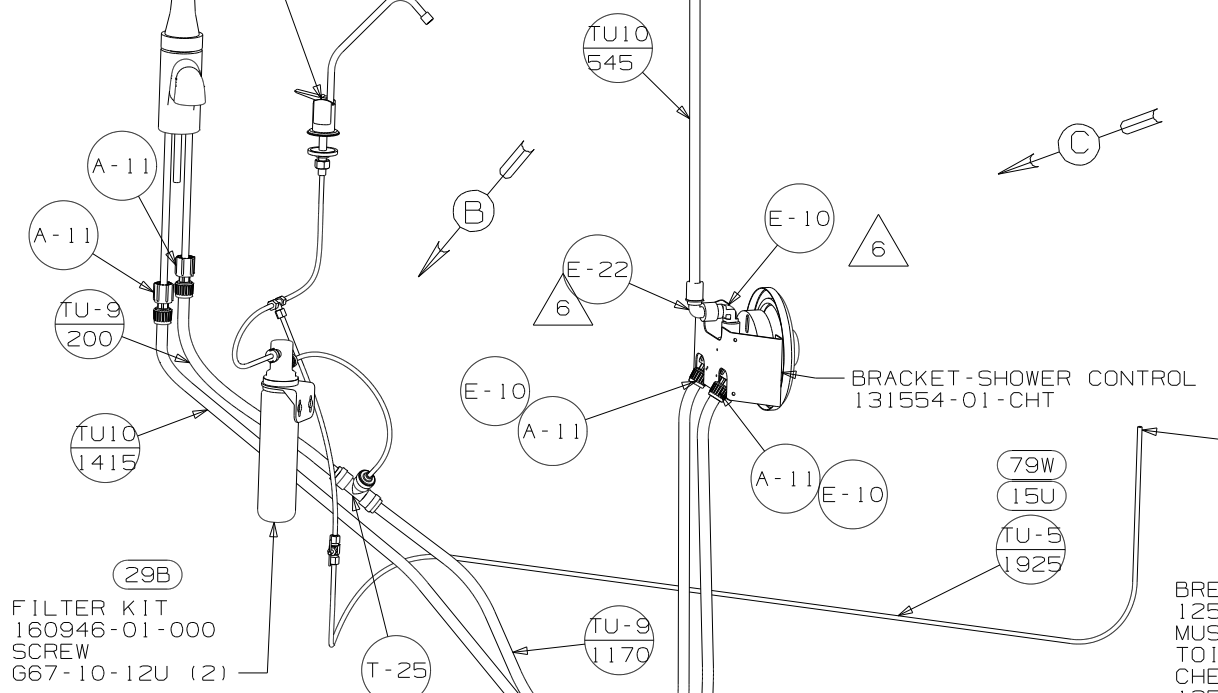
WINNEBAGO		COPYRIGHT 2007 WINNEBAGO INDUSTRIES, INC.	
DFTR	ORIG. DATE	ALL DIMENSIONS ARE IN MILLIMETERS	
CHKR		MATERIAL:	
P.E.		UNSPECIFIED TOLERANCES ARE:	
M.E.	FIRST USED	WHOLE DIM (X) :	7
DSNR	08 G35L	ONE-PLACE (X.X) :	
		TWO-PLACE (X.XX) :	
		ANGLE :	
THIRD ANGLE PROJECTION		DO NOT SCALE DRAWING	
TITLE: WATER SYSTEM INSTL			
SHEET 1 OF 4	PART NO 162538	REV	
REF:	1 11/15/2007		

8 7 6 5 4 3 2 1

FAUCET-GALLEY, SGL CONT, CHROM
123744-03-CHT

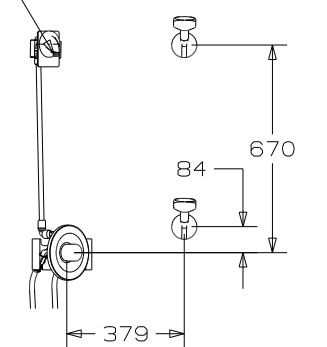
FAUCET-WATER PURIFIER
103635-01-000

PLATE-COVER, SHOWER HEAD
131549-01-CHT
SPACER
130041-03-CHT
BRACKET ASM
131551-01-CHT



VIEW B

DROP ELL-SHOWER, 1/2"
135028-02-CHT
SHOWER HEAD
129390-03-CHT
FAUCET-VALVE
144596-01-CHT
FAUCET-TRIM KIT
144596-02-CHT

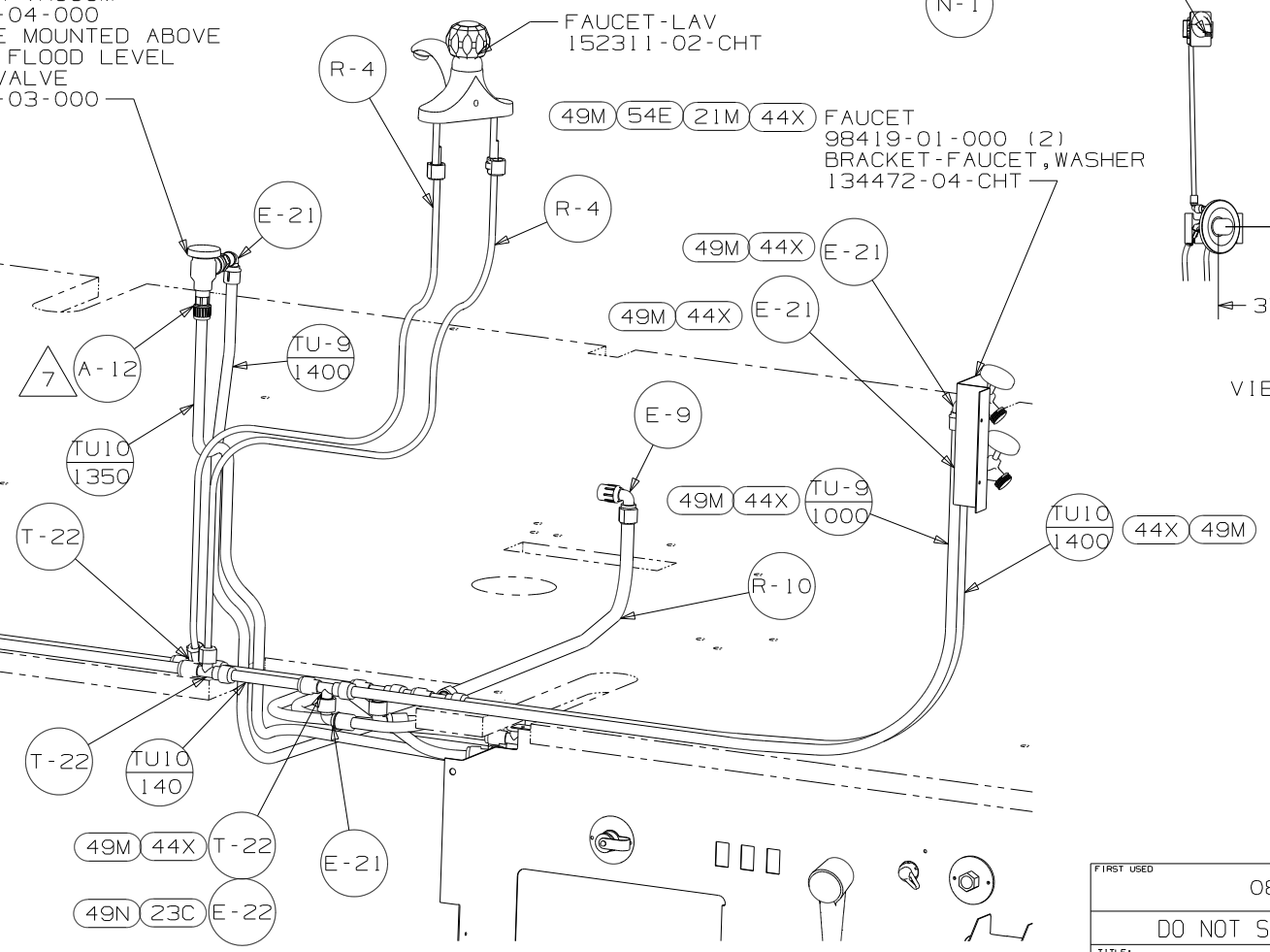


VIEW C

BREAKER-VACUUM
125697-04-000
MUST BE MOUNTED ABOVE
TOILET FLOOD LEVEL
CHECK VALVE
125697-03-000

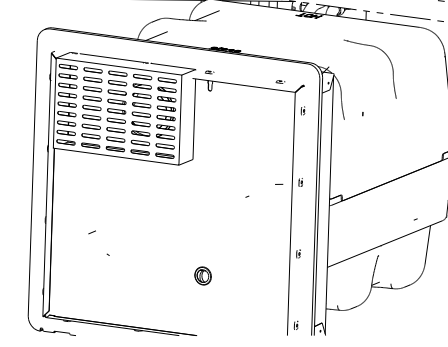
FAUCET-LAV
152311-02-CHT

FAUCET
98419-01-000 (2)
BRACKET-FAUCET, WASHER
134472-04-CHT

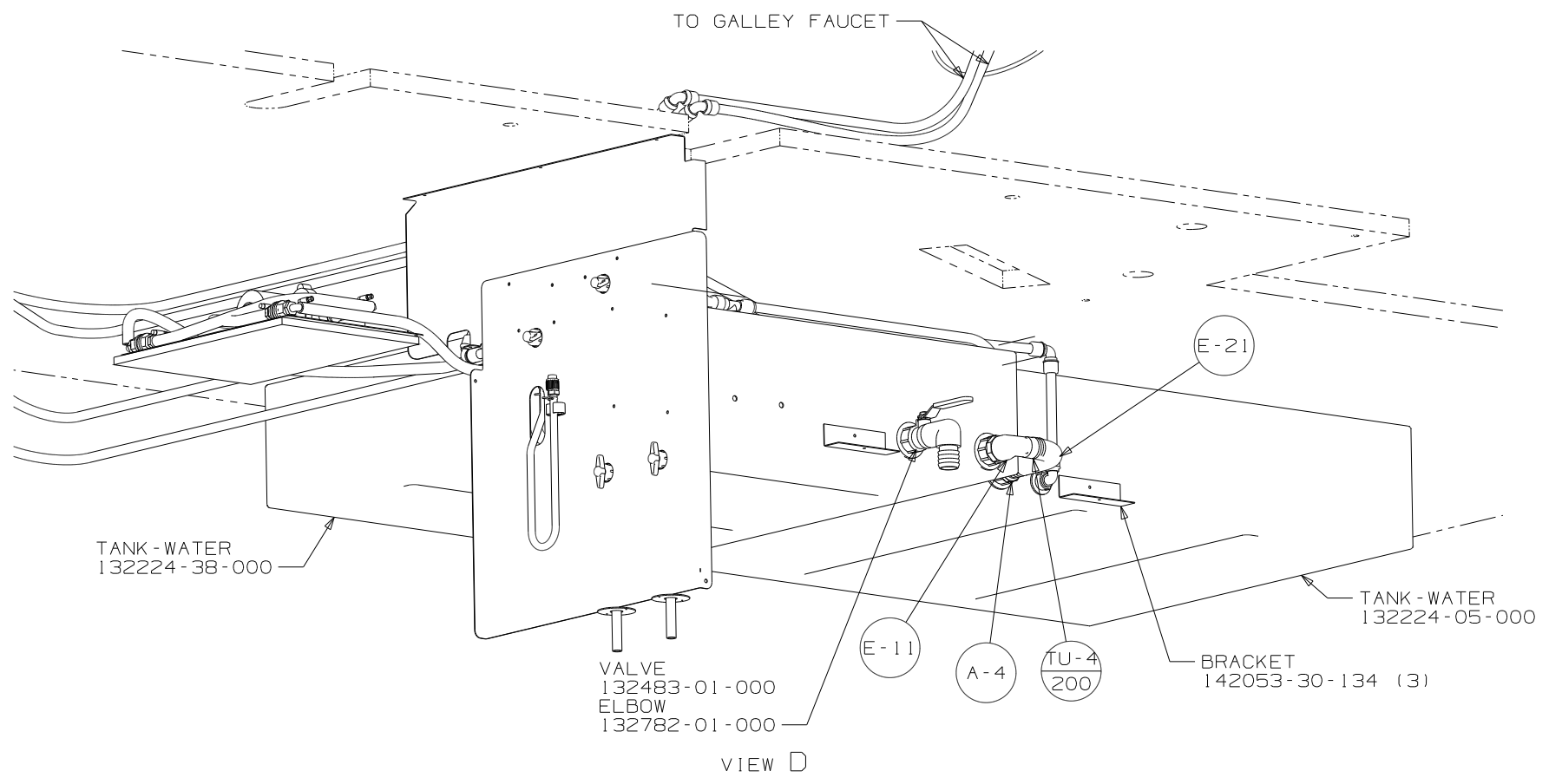


VIEW A

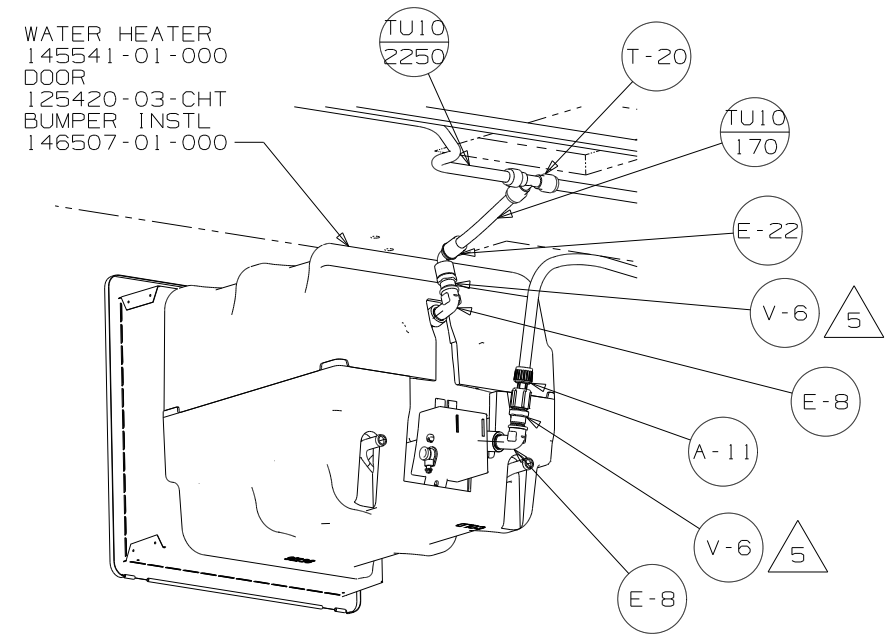
29B
FILTER KIT
160946-01-000
SCREW
G67-10-12U (2)



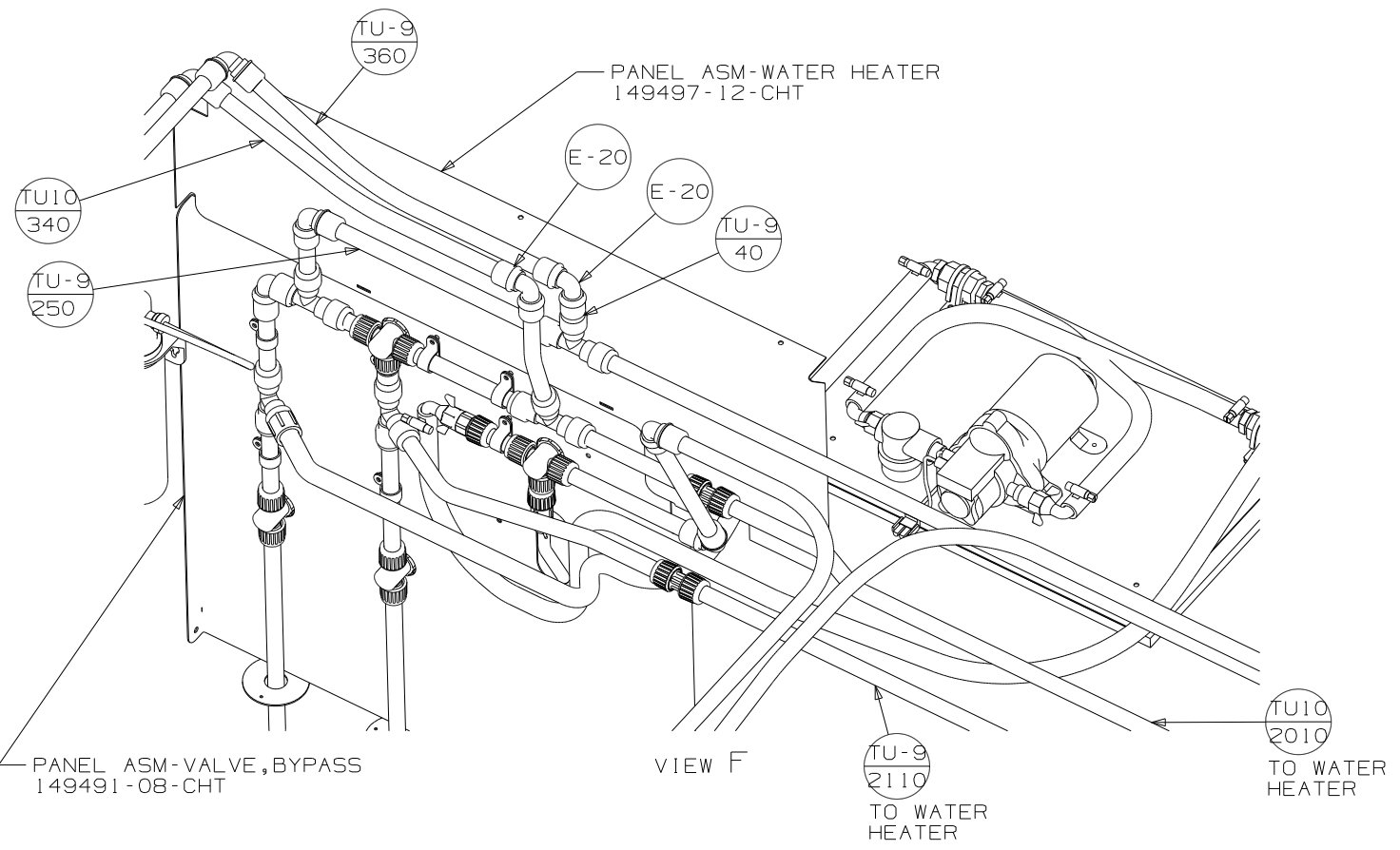
FIRST USED	08 G35L		
TITLE	DO NOT SCALE DRAWING		
TITLE	WATER SYSTEM INSTL		
SHEET 2	PART NO	162538	REV



VIEW D

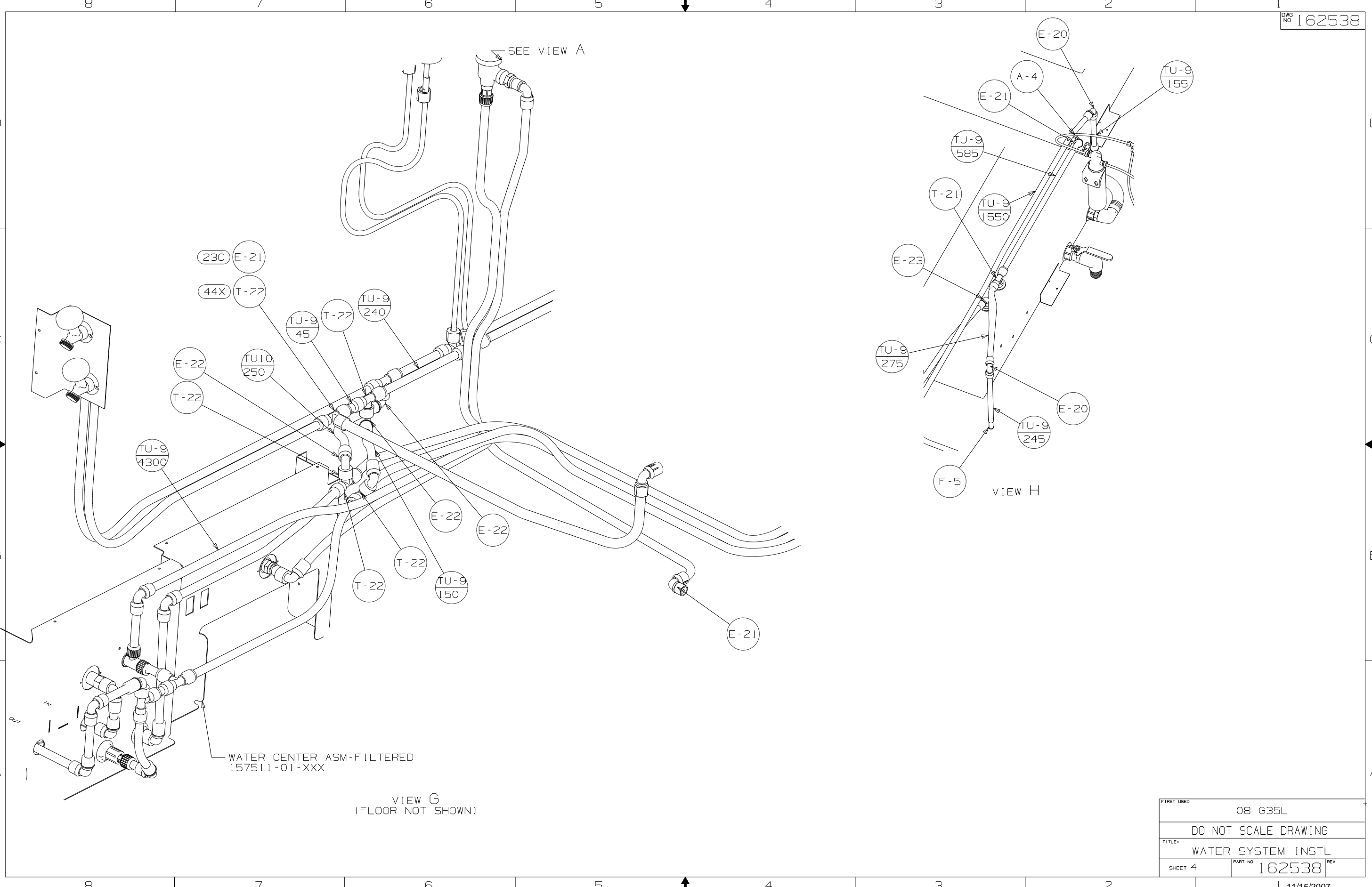


VIEW E



VIEW F

FIRST USED	08 G35L
TITLE	DO NOT SCALE DRAWING
TITLE	WATER SYSTEM INSTL
SHEET 3	PART NO 162538 REV



SEE VIEW A

- 23C E-21
- 44X T-22
- TU-9 240
- TU-9 45
- T-22
- TU10 250
- E-22
- T-22
- TU-9 4300
- E-22
- E-22
- T-22
- T-22
- TU-9 150
- E-21

WATER CENTER ASM-FILTERED
157511-01-XXX

VIEW G
(FLOOR NOT SHOWN)

- E-20
- A-4
- TU-9 155
- E-21
- TU-9 585
- T-21
- TU-9 1550
- E-23
- TU-9 275
- E-20
- TU-9 245
- F-5

VIEW H

FIRST USED	08 G35L	
TITLE	DO NOT SCALE DRAWING	
SHEET 4	PART NO	162538
	REV	11/15/2007